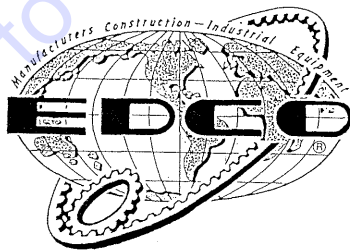
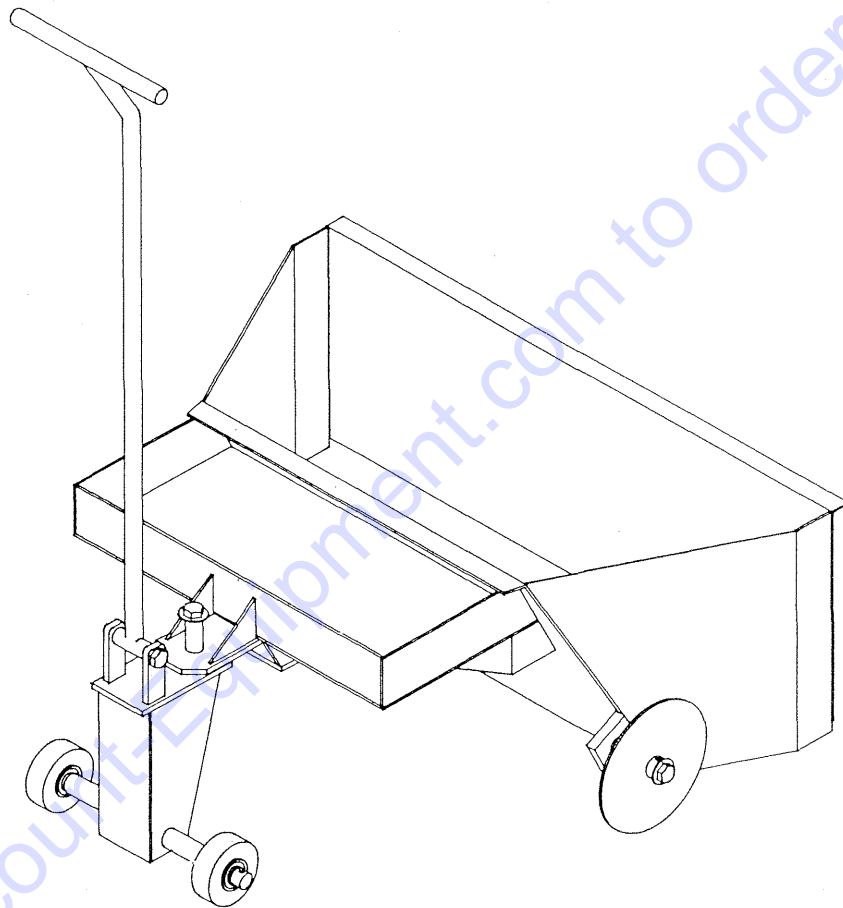


REVISED JULY 1994

# EPOXY MORTAR SCREED

## INSTRUCTIONS AND PARTS LIST MANUAL

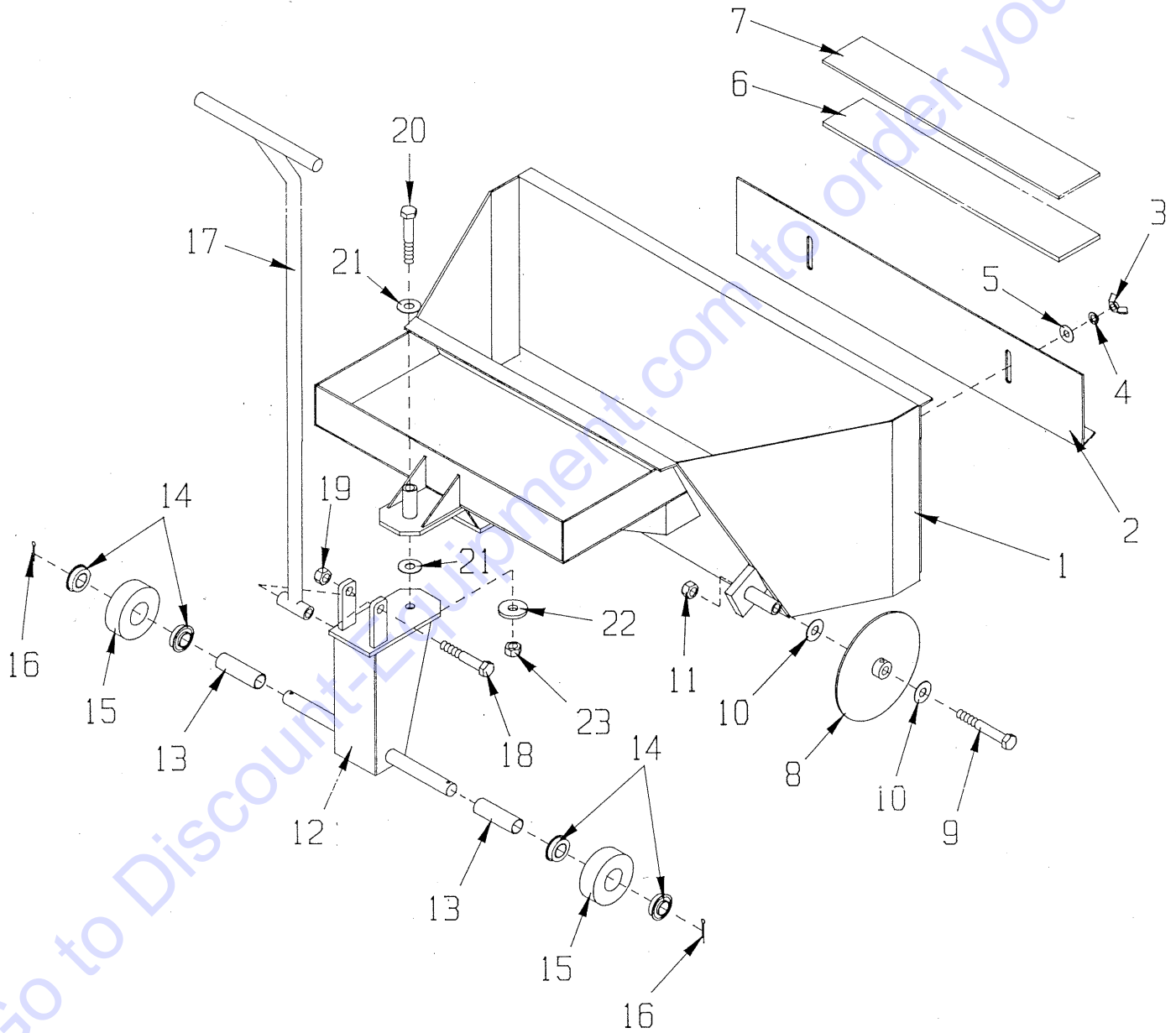


EQUIPMENT DEVELOPMENT COMPANY, INC.

**Discount  
Equipment**

PRINTED IN U.S.A.

# EPOXY MORTAR SCREED BOX ASSEMBLY



REVISED JULY 1994

PARTS LISTING: EPOXY MORTAR SCREED BOX ASSEMBLY			
Item #	Part #	Description	Qty.
1		Container	1
	C90502	30" Screed	
	C90503	36" Screed	
2		Smoothing Plate	1
	C90530	30" Screed	
	C90536	36" Screed	
3	10903	Nut, Wing 3/8-16	2
4	10811	Washer, Lock 3/8	2
5	10025	Washer, Flat 3/8	2
6	C90505	Smoothing Plate Depth Gauge 1/4"	1
7	C90506	Smoothing Plate Depth Gauge 3/16"	1
8	C90516	Wheel, Offset 6-1/4 x 1/8 x 1/2	2
9	10368	Screw, Cap 1/2-20 x 3-1/2	2
10	10312	Washer, Flat 1/2	4
11	10154	Nut, Hex Nylon Lock 1/2-20	2
12	C90512	Frame, Swivel Hitch	1
13	C90513	Spacer, Wheel 13/16" ID x 2-3/4" L	2
14	76031	Wheel Bearing, Ball 3/4" ID x 1-3/8	4
15	C90514	Wheel, Steel 3" OD x 1-3/8" ID x 1" W	2
16	10306	Pin, Cotter 3/16 x 1-1/2	2
17	C90511	Handle	1
18	10499	Screw, Cap 1/2-13 x 3	1
19	10155	Nut, Hex Nylon Lock 1/2-13	1
20	10499	Screw, Cap 1/2-13 x 3	1
21	10312	Washer, Flat 1/2	2
22	C90515	Washer, Swivel Hitch, 1-1/2 x 1/2	1
23	10155	Nut, Hex Nylon Lock 1/2-13	1

INSTRUCTIONS: EPOXY MORTAR SCREED BOX

1. MOVE BOX TO A FLAT SURFACE IN AREA TO BE COATED.
2. LOOSEN 2 WING NUTS ON REAR OF BOX, RAISING SCREED BAR, AND SLIDING 3/16" OR 1/4" DEPTH GUIDE INTO PLACE.
3. SLIDE SCREED BAR DOWN AGAINST GUIDE, TIGHTEN WING NUTS AND REMOVE GUIDE.
4. ADD EXTRA WEIGHT TO WEIGHT TRAY IF NECESSARY. THIS ASSISTS IN KEEPING FRONT END OF BOX ON FLOOR WHILE PULLING.
5. MATERIAL FLOWS BEST WHEN BOX IS KEPT 1/4 OR MORE FILLED.
6. DO NOT COMPLETELY EMPTY BOX BEFORE ADDING ADDITIONAL MATERIAL.

# PARTS FINDER

**Search Website  
by Part Number**



**Search Manual  
Library For Parts  
Manual & Lookup Part  
Numbers – Purchase  
or Request Quote**

**Search Manuals**

Enter your information to help us find the right parts manual for your machine.

\* Brand:

\* Model:

\* Serial:

\* Part Number:

SEARCH

**Can't Find Part or  
Manual? Request Help  
by Manufacturer,  
Model & Description**

**Parts Order Form**

Please fill in the following information to help us find the right part for your machine.

Manufacturer:	<input type="text"/>
Model:	<input type="text"/>
Description:	<input type="text"/>
Part Number:	<input type="text"/>
Quantity:	<input type="text"/>
Notes:	<input type="text"/>

Submit

Discount-Equipment.com is your online resource for quality parts & equipment.

Florida: **561-964-4949** Outside Florida TOLL FREE: **877-690-3101**

**Need parts?**

Click on this link: <http://www.discount-equipment.com/category/5443-parts/> and choose one of the options to help get the right parts and equipment you are looking for. Please have the machine model and serial number available in order to help us get you the correct parts. If you don't find the part on the website or on one of the online manuals, please fill out the request form and one of our experienced staff members will get back to you with a quote for the right part that your machine needs.

We sell worldwide for the brands: Genie, Terex, JLG, MultiQuip, Mikasa, Essick, Whiteman, Mayco, Toro Stone, Diamond Products, Generac Magnum, Airman, Haulotte, Barreto, Power Blanket, Nifty Lift, Atlas Copco, Chicago Pneumatic, Allmand, Miller Curber, Skyjack, Lull, Skytrak, Tsurumi, Husquvarna Target, Stow, Wacker, Sakai, Mi-T-M, Sullair, Basic, Dynapac, MBW, Weber, Bartell, Bennar Newman, Haulotte, Ditch Runner, Menegotti, Morrison, Contec, Buddy, Crown, Edco, Wyco, Bomag, Laymor, EZ Trench, Bil-Jax, F.S. Curtis, Gehl Pavers, Heli, Honda, ICS/PowerGrit, IHI, Partner, Imer, Clipper, MMD, Koshin, Rice, CH&E, General Equipment, Amida, Coleman, NAC, Gradall, Square Shooter, Kent, Stanley, Tamco, Toku, Hatz, Kohler, Robin, Wisconsin, Northrock, Oztec, Toker TK, Rol-Air, APT, Wylie, Ingersoll Rand / Doosan, Innovatech, Con X, Ammann, Mecalac, Makinex, Smith Surface Prep, Small Line, Wanco, Yanmar