

REVISED STARTING SERIAL NO. 060610304



PARTS MANUAL Model SK-14



14" DOWNCUT CONCRETE/ASPHALT WALK BEHIND SAWS

SKU NO.	MODEL	POWER OPTION
45400D	SK14-9H	HONDA ENGINE 9 HP GX270
45600D	SK14-11H	HONDA ENGINE 11 HP GX340
48100D	SK14-13H	HONDA ENGINE 13 HP GX390
49800D	SK14-13.5RS	ROBIN SUBARU ENGINE EH41
45500	SK14-9RS	ROBIN SUBARU ENGINE EX27
48900D	SK14-12KC	KOHLER COMMAND ENGINE CS12T

PARTS FINDER

**Search Website
by Part Number**



**Search Manual
Library For Parts
Manual & Lookup Part
Numbers – Purchase
or Request Quote**

Search Manuals

Enter your information to help us find the right parts manual for your machine.

* Brand:

* Model:

* Serial:

* Part Number:

SEARCH

**Can't Find Part or
Manual? Request Help
by Manufacturer,
Model & Description**

Parts Order Form

Please fill in the following information to help us find the right part for your machine.

Manufacturer:	<input type="text"/>
Model:	<input type="text"/>
Description:	<input type="text"/>
Part Number:	<input type="text"/>
Quantity:	<input type="text"/>
Notes:	<input type="text"/>

Submit

Discount-Equipment.com is your online resource for quality parts & equipment.

Florida: **561-964-4949** Outside Florida TOLL FREE: **877-690-3101**

Need parts?

Click on this link: <http://www.discount-equipment.com/category/5443-parts/> and choose one of the options to help get the right parts and equipment you are looking for. Please have the machine model and serial number available in order to help us get you the correct parts. If you don't find the part on the website or on one of the online manuals, please fill out the request form and one of our experienced staff members will get back to you with a quote for the right part that your machine needs.

We sell worldwide for the brands: Genie, Terex, JLG, MultiQuip, Mikasa, Essick, Whiteman, Mayco, Toro Stone, Diamond Products, Generac Magnum, Airman, Haulotte, Barreto, Power Blanket, Nifty Lift, Atlas Copco, Chicago Pneumatic, Allmand, Miller Curber, Skyjack, Lull, Skytrak, Tsurumi, Husquvarna Target, Stow, Wacker, Sakai, Mi-T-M, Sullair, Basic, Dynapac, MBW, Weber, Bartell, Bennar Newman, Haulotte, Ditch Runner, Menegotti, Morrison, Contec, Buddy, Crown, Edco, Wyco, Bomag, Laymor, EZ Trench, Bil-Jax, F.S. Curtis, Gehl Pavers, Heli, Honda, ICS/PowerGrit, IHI, Partner, Imer, Clipper, MMD, Koshin, Rice, CH&E, General Equipment, Amida, Coleman, NAC, Gradall, Square Shooter, Kent, Stanley, Tamco, Toku, Hatz, Kohler, Robin, Wisconsin, Northrock, Oztec, Toker TK, Rol-Air, APT, Wylie, Ingersoll Rand / Doosan, Innovatech, Con X, Ammann, Mecalac, Makinex, Smith Surface Prep, Small Line, Wanco, Yanmar

READ AND UNDERSTAND THE OPERATORS INSTRUCTION MANUAL THOROUGHLY BEFORE ATTEMPTING TO OPERATE THIS EQUIPMENT. Death or serious injury could occur if this machine is used improperly.



SAFETY MESSAGES



The safety instructions are preceded by a graphic alert message of DANGER, WARNING, or CAUTION.



Indicates an imminent hazard which, if not avoided, will result in death or serious injury.



Indicates an imminent hazard which, if not avoided, can result in death or serious injury.



Indicates hazards which, if not avoided, could result in serious injury and or damage to the equipment.

GASOLINE Powered Equipment



- Do not operate gasoline powered equipment without adequate ventilation. Carbon monoxide is an invisible, odorless gas that can kill.

ELECTRICAL Powered Equipment



- ELECTRICAL HAZARD** - Be sure equipment is properly grounded. Failure to comply could kill or result in serious injury.



The engine exhaust from this product contains chemicals known to the State of California to cause cancer, birth defects or other reproductive harm.

GENERAL INSTRUCTIONS



- You must read and understand the operators instruction manual and all other manuals associated with this machine. For your safety and the safety of others around you, it is extremely important to fully understand how to operate this machine in the way it was intended. Different model machines or older/newer versions of the same model may have different parts and controls that you need to understand. If instructions are not readable or available DO NOT USE this machine and contact Discount-equipment for a replacement Manual.
- You must be able to physically handle the bulk weight and power of this machine. If not properly controlled this machine can cause death or serious injury.
- Do not operate this machine in an impaired mental state. You must be able to exercise good judgement and reactions to maintain a safe working environment.
- This is a "one person" machine which means only one operator can be operating the machine at any one time. For the safety of others, maintain a safe operating distance to other personnel. Your work area should be defined and appropriately marked so bystanders and coworkers do not stand or walk near this machine and end up seriously injured by flying debris or exposing them to harmful noise or dust.
- This equipment is for Commercial use. Although this is a "one person" machine your work team should understand how to shut this machine off and quickly get medical help if an accident strikes the operator.
- Keep all guards in place during operation. The guards are to provide protection from inadvertent contact with dangerous moving parts, pinch points, or hot surfaces.
- Wear appropriate Personal Protective Equipment (PPE) including safety glasses, safety boots, work gloves, respiratory protection, hearing protection, and head protection. Do not wear loose clothing that can get tangled in moving parts. Failure to do so could result

in dismemberment or death. **Wear an approved respirator when removing hazardous materials or when grinding/cutting dry materials. Some dust particles such as concrete dust can contain silicate particles which can cause silicosis (a very serious lung disease). Contact NIOSH or OSHA for further details. When wet grinding/cutting, avoid contact with the concrete/asphalt slurry which can cause serious skin irritations.**

- You must maintain this machine per the maintenance schedule in the operator manual. Remember before adjusting, servicing, or fueling this machine, disconnect the source of power to the machine by disconnecting the spark plug (Gas models), or by unplugging the electrical power cord (electric models) or air hose (Pneumatic models) AT THE MACHINE so you can assure yourself it remains unplugged while you are working on it. Do not modify this machine. Use only genuine EDCO parts and accessories. Repairs and service should be performed by approved EDCO dealers or authorized technicians.
- You should look carefully around the area before you begin work so you can identify potential hazards such as deck inserts, pipes, columns, openings, electrical cords or outlets, or any other objects protruding from the slab surface.
- This machine has no brain so you must use your own. There is no substitute for safety. The safety decals on the machine are to serve as a reminder for information you must already know before you begin using this machine. Take a moment to reread the safety decals each time you use the machine. If your machine is missing any decals, contact Discount-equipment.

PARTS MANUAL

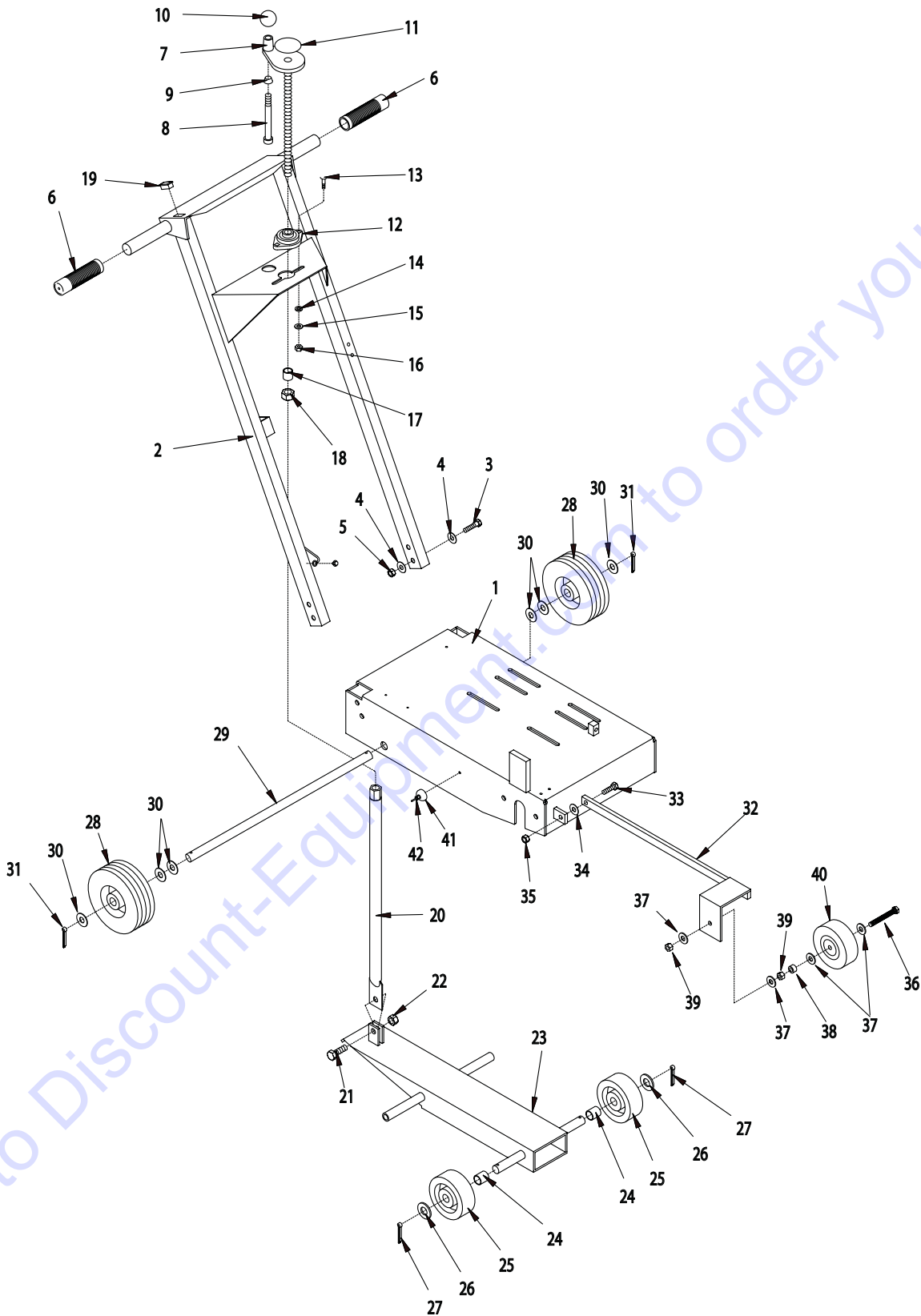
MODEL SK-14

<u>Section</u>	<u>Page Number</u>
Safety Messages / General Instructions	2
How To Order Replacement Parts	3
Illustration 1: Main Frame Grouping	4,5
Illustration 2: Arbor & Blade Guard Grouping	6,7
Illustration 3: Engine Grouping	8
Illustration 4: CE Blade Guard with Safety Switch	9
Illustration 5: Optional Water Tank Assembly	10,11
Limited Equipment Warranty.	Back Page

Go to Discount-Equipment.com to order your parts



ILLUSTRATION 1: MAIN FRAME GROUPING



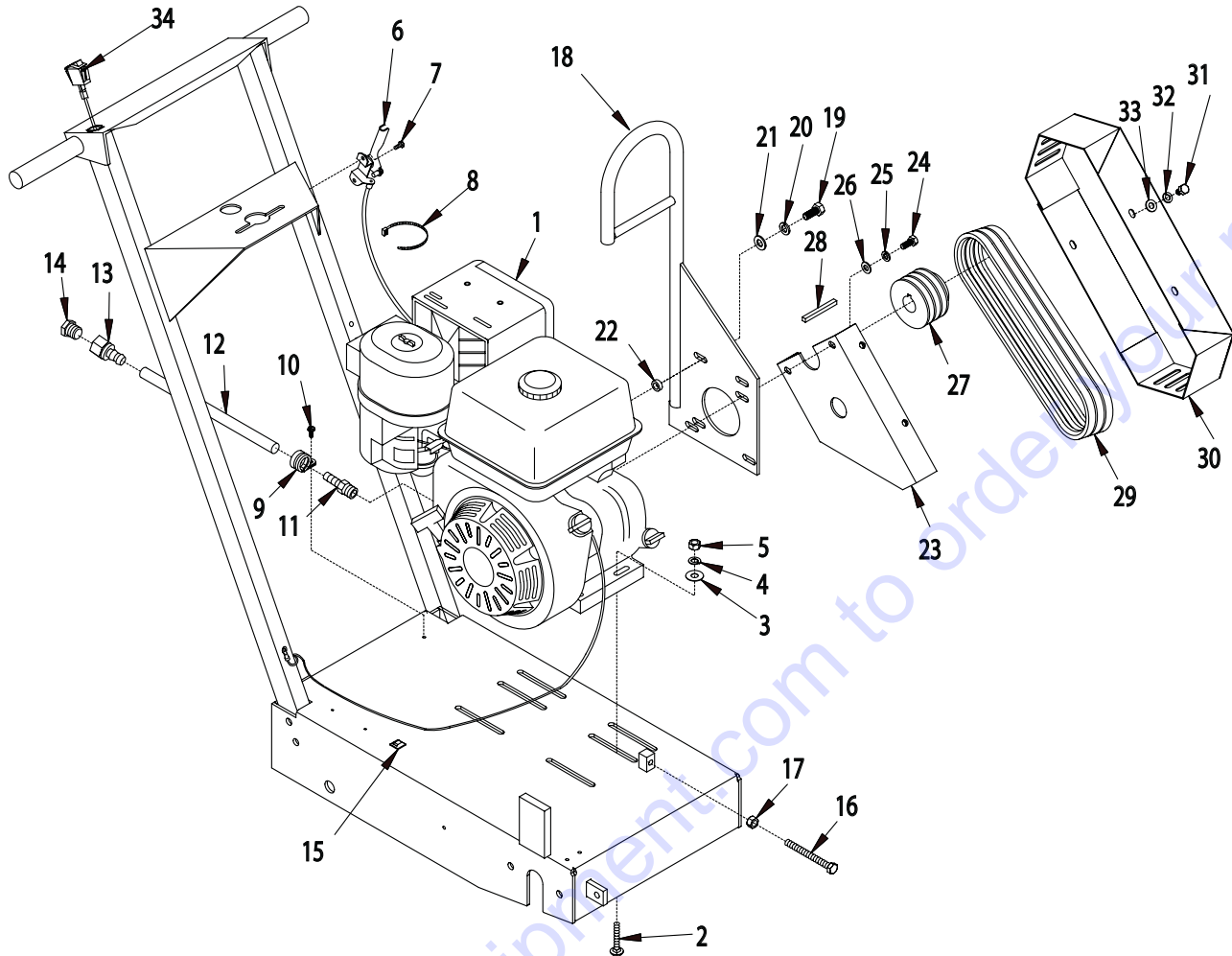
PARTS LISTING - ILLUSTRATION 1: MAIN FRAME GROUPING			
ITEM #	PART #	DESCRIPTION	QTY.
1	52070	MAIN FRAME	1
2	52021	HANDLE BAR	1
3	10029	SCREW, CAP 3/8-24 x 1-3/4	4
4	10025	WASHER, FLAT 3/8	8
5	10004	NUT, LOCK 3/8-24	4
6	10608	GRIP, HAND 1" MODEL AT	2
7	80008	HANDWHEEL, SMALL w/ 5/8-11 x 12" ROD	1
8	10411	SCREW, SKT. HD. CAP 1/2-13 x 4	1
9	50550	SLEEVE FOR 1/2" CAPSCREW, TAPERED	1
10	14023	KNOB, BALL 1-3/8" DIA. w/ 1/2-13 THD.	1
11	80007	DECAL, "CUT CONTROL" (SMALL)	1
12	80009	BEARING, BALL 5/8" 2-HOLE FLANGE (NO G.F.)	1
13	10412	BOLT, CARRIAGE 1/4-20 x 1	2
14	10213	WASHER, FLAT 5/16	2
15	10602	WASHER, FLAT 1/4	2
16	10861	NUT, KEPS 1/4-20	2
17	55010	SPACER, HANDWHEEL 5/8" ID x 3/4	1
18	10046	NUT 5/8-11	1
19	15204	PLUG, RECT. HOLE, PLASTIC SNAP-IN	1
20	52016	LINKAGE, CUT CONTROL	1
21	10321	SCREW, CAP 1/2-20 x 1-1/4	1
22	10205	NUT, LOCK 1/2-20	1
23	52061	FORK	1
24	52010	SPACER, FRONT WHEEL 3/4 ID x 15/16	2
25	52001	WHEEL, ALUM. 4 x 1-1/2 x 3/4" BRG.	2
26	10009	WASHER, FLAT 3/4	2
27	10306	PIN, COTTER 3/16 x 1-1/4	2
28	79013	WHEEL 8 X 2-1/2 X 3/4" BRG.	2
29	52062	AXLE SHAFT 3/4 DIA. x 19-1/4"L	1
30	10009	WASHER, FLAT 3/4	6
31	10306	PIN, COTTER 3/16 x 1-1/4	2
32	52007	GUIDE BAR	1
33	10021	SCREW, CAP 3/8-24 x 1	1
34	10025	WASHER, FLAT 3/8	1
35	10004	NUT, LOCK 3/8-24	1
36	10885	SCREW, CAP 3/8-24 x 3	1
37	10025	WASHER, FLAT 3/8	4
38	10011	SPACER, STEEL 5/8 OD x 3/8 ID x 3/8	1
39	10004	NUT, LOCK 3/8-24	2
40	50024	WHEEL, 4 x 1-3/8 x 3/8" BORE	1
41	52022	BUMPER, RUBBER 1" OD x 3/16 ID x 7/16 H	1
42	52023	RIVET, BLIND 3/16 x .7"L x .375 HD	1



PARTS LISTING - ILLUSTRATION 2 : ARBOR & BLADE GUARD GROUPING

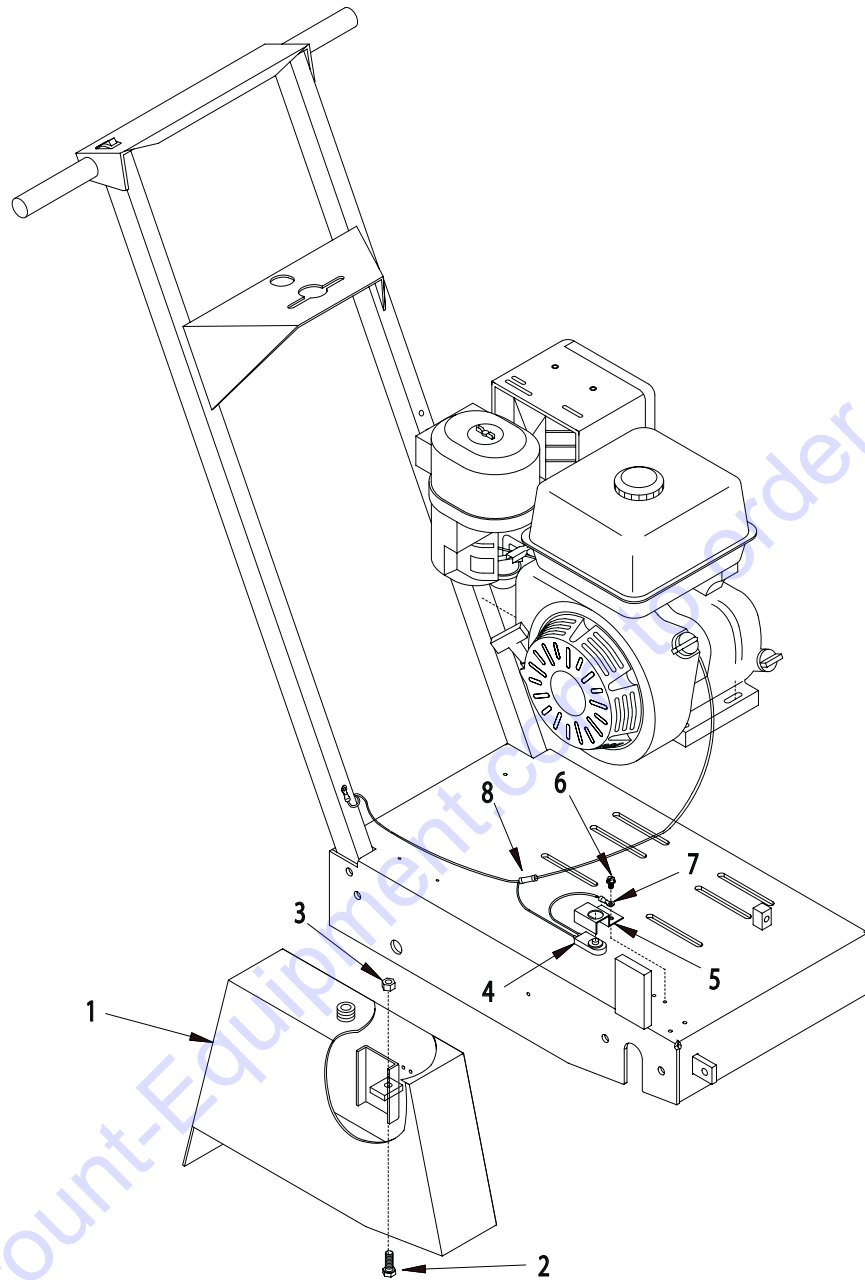
ITEM #	PART #	DESCRIPTION	QTY.
1	69050A	ARBOR ASSEMBLY COMPLETE (ITEMS 2 -13)	1
2	69050	ARBOR SHAFT 1" DIA. x 19-1/4	1
3	62022	BEARING , BALL 1" 2-HOLE FLANGE	2
4	10961	FITTING, GREASE 1/4-28 x 90°	1
5	10960	FITTING, GREASE 1/4-28 x 45°	1
6	10003	SCREW, CAP 7/16-20 x 1-1/4	4
7	10450	WASHER, LOCK 7/16	4
8	10481	NUT 7/16-20	4
9	10211	PIN, ROLL 5/16 x 2	1
10	56026	ARBOR BACKING PLATE 4" DIA.	1
11	56025	ARBOR BLADE CAP 4" DIA. w/ 1" HOLE	1
12	55009	WASHER, LOCK, INT. TOOTH 1"	1
13	50019	NUT, JAM 1-14	1
14	80027	SHEAVE, 3" OD x 3Gr.A x 1" BORE	1
15	10115	KEY 1/4 SQ. x 2	1
16	52005A	BLADE GUARD ASSEMBLY COMPLETE (INCLUDES ITEMS 17 - 20. NOTE: ALSO INCLUDES LATCH KEEPER BRACKET, SEE ITEM 30)	1
17	52005	GUARD, BLADE 14"	1
18	10724	ELBOW, STREET 1/2 NPT x 90° (BLACK)	1
19	10729	BARB, 3/8HOSE X 1/2FPT	1
20	81004	NOZZLE, COOLANT 1/8 MPT w/ 4" TUBES	1
21	50069	CLAMP, HOSE, SAE #6, ADJ. TO 13/16	2
22	56023	HOSE, WATER 3/8"ID X 43"L	1
23	10799	BARB ELBOW 90, 3/8HOSE X 1/4MPT	1
24	10982	TIE, CABLE, BLACK NYLON 11-1/4"	2
25	10846	SCREW, CAP STSHW 1/4-20 X 1/2	2
26	56022	BRACKET, WATER VALVE	1
27	10711	VALVE, BALL 1/2 FPT	1
28	80021	CONN., SWIVEL FEMALE 3/4 HOSE x 1/2 MPT INCLUDES HOSE WASHER, ITEM # 29	1
29	10070	WASHER, HOSE 3/4	1
30	52002	LATCH, FLEXIBLE DRAW w/ T-HANDLE&KEEPER BRKT.	1
	52002K	LATCH KEEPER BRACKET ONLY	
31	10830	SCREW, MACHINE 10-32 x 1/2	1
32	10831	WASHER, LOCK, INT. TOOTH # 10	4
33	10832	NUT 10-32	4
34	50445	WRENCH, ARBOR 1-1/2	2

ILLUSTRATION 3: ENGINE GROUPING



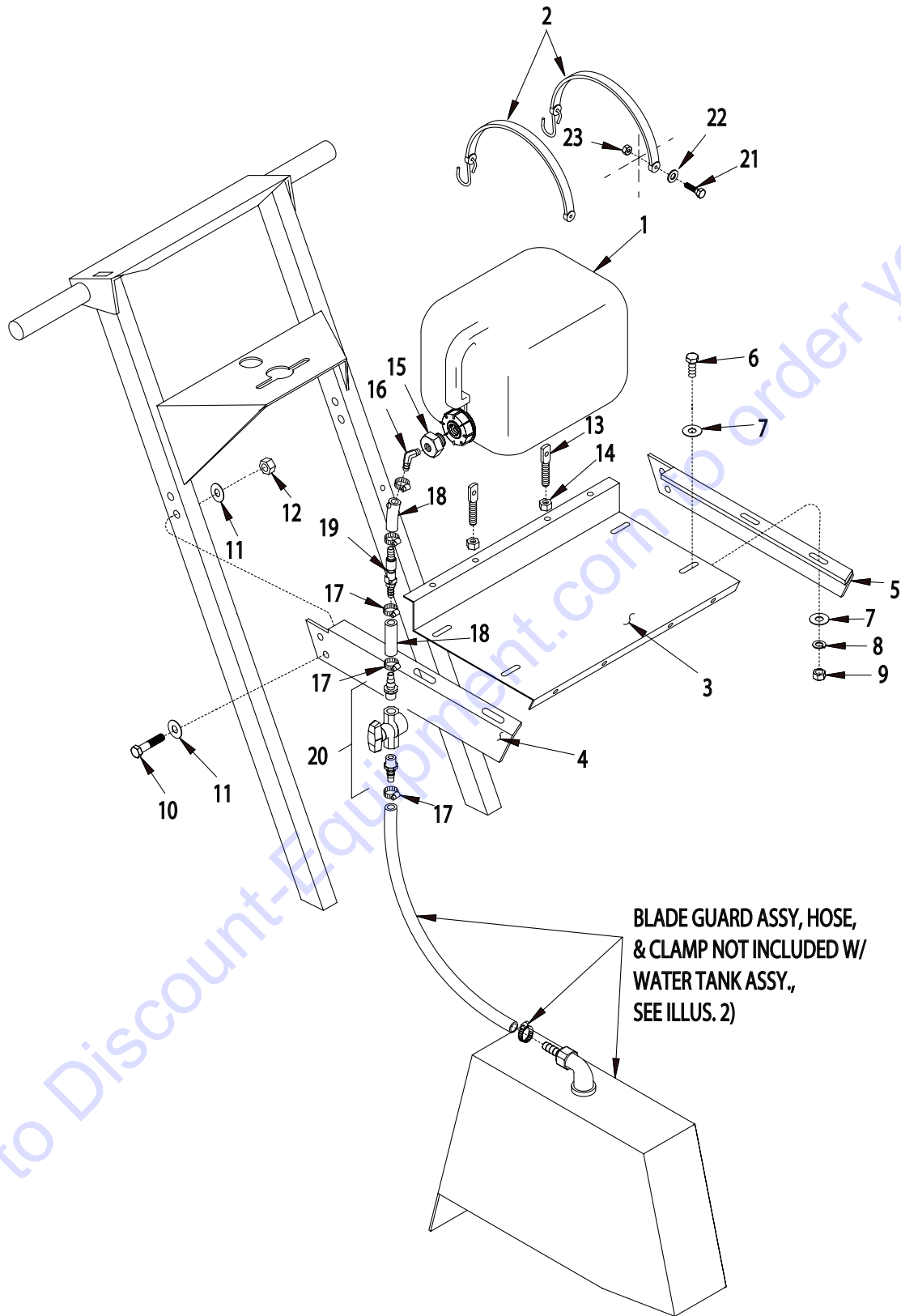
ITEM#	PART#	DESCRIPTION	QTY.	ITEM#	PART#	DESCRIPTION	QTY.
1		ENGINE,	1	16	52015	BOLT, TAP 3/8-16 x 3-1/2 (FULL THREAD)	1
	15027	HONDA 9HP GX270-QXC9		17	10404	NUT 3/8-16	1
	79045	HONDA 11HP GX340 K1-QXC9		18	30101	LIFTING BAIL, HORZ. SHAFT (HONDA ONLY)	1
	15029	HONDA 13HP GX390K1-QXC9		19	10055	SCREW, CAP 3/8-16 X 1	
	15063	ROBIN SUBARU 9 HP EX27 CYC.		20	10811	WASHER, LOCK 3/8	
	15066	ROBIN SUBARU 13.5 HP EH41 CYC.		21	10025	WASHER, FLAT 3/8 SAE	
	15045	KOHLER 12HP COMMAND CS12T		22	10113	SPACER, STEEL 9/16OD X 3/8ID X 7/32	
2	10918	BOLT, CARRIAGE 5/16-18 x 1-3/4	4	23	52072	BRACKET, BELT COVER	1
3	10213	WASHER, FLAT 5/16	4	24	10048	SCREW, CAP 5/16-24 X 3/4	
4	10801	WASHER, LOCK 5/16	4	25	10801	WASHER, LOCK 5/16	
5	10054	NUT 5/16-18	4	26	10213	WASHER, FLAT 5/16 SAE	
6	40388	CABLE, THROTTLE, LEVER-TYPE 24"	1	27	80027	SHEAVE 3" OD x 3Gr.A x 1" BORE	1
7	10877	SCREW, CAP STSHW 10-24 x 1/2	2	28	10307	KEY 1/4 SQ. x 2-1/4	
8	10982	TIE, CABLE, BLACK NYLON 11-1/4	1	29	10253	BELT AX-27	3
9	11565	CLAMP, LOOM, 5/8" (SAE SIZE 10)	1	30	52071	COVER, BELT	1
10	10877	SCREW, CAP STSHW 10-24 x 1/2	1	31	10018	SCREW, CAP 1/4-20 X 3/4	3
11	11542	BARB, PUSH-ON 3/8 HOSE x 12mm x 1.5 MALE	1	32	10038	WASHER, LOCK 1/4	3
12	52063	HOSE, PUSH-ON 3/8" ID x 10-1/2"L	1	33	10602	WASHER, FLAT 1/4 SAE	3
13	11544	BARB, PUSH-ON 3/8 HOSE x 1/4 FPT	1	34	15201A	SWITCH SUBASSY., ROCKER ON-OFF (INCLUDES WIRES)	1
14	10776	PIPE PLUG 1/4 NPT (BRASS)	1		15201	SWITCH ONLY, ROCKER ON-OFF	
15	36042	CLIP, ADHESIVE BACK CORD 5/8x5/8	1				

ILLUSTRATION 4: CE BLADE GUARD WITH SAFETY SWITCH

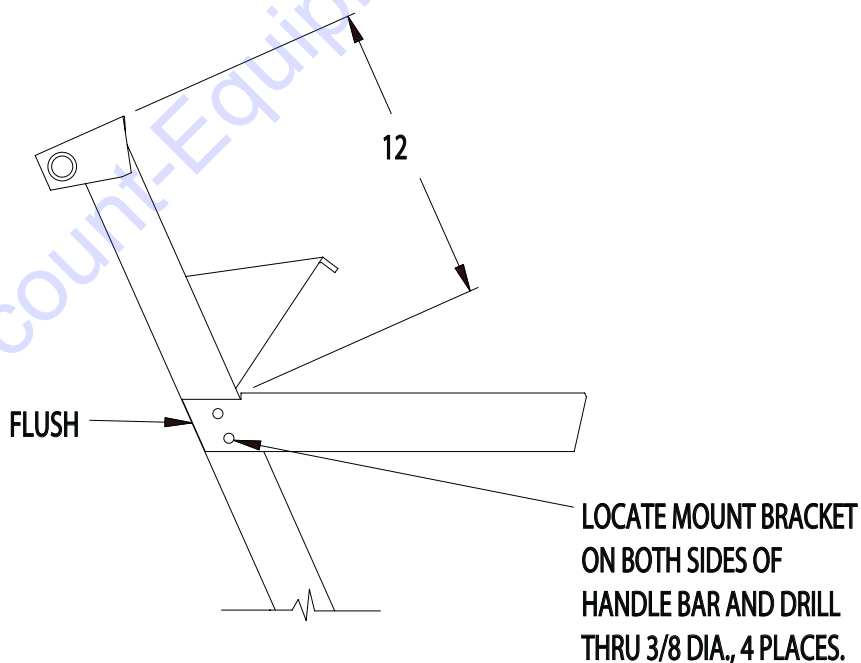


ITEM #	PART #	DESCRIPTION	QTY.
1	52005E	GUARD, BLADE 14" CE (REFER TO ILLUS. 2 FOR OTHER PARTS)	1
2	10021	SCREW, CAP 3/8-24 x 1	1
3	10014	NUT 3/8-24	1
4	52040	SWITCH, WATERPROOF, 2-WIRE N/C	1
5	52041	BRACKET, SAFETY SWITCH	1
6	10877	SCREW, CAP STHW 10-24 x 1/2	2
7	50084	TERM., RING # 10 16-14 GA. INSULATED	1
8	10938	CONNECTOR, BUTT 16-14 GA. INSULATED	1

**ILLUSTRATION 5: OPTIONAL WATER TANK ASSEMBLY
PART # 52030**



PARTS LISTING : ILLUSTRATION 5: OPTIONAL WATER TANK ASSEMBLY			
ITEM #	PART #	DESCRIPTION	QTY.
1	52031	DRUM, PLASTIC 5 GALLON, 3/4 NPT CAP	1
2	52035	TIE-DOWN STRAP, MOLDED RUBBER 24"	2
3	52036	TRAY, WATER TANK	1
4	52037	MOUNT BRACKET, WATER TANK (RIGHT)	1
5	52038	MOUNT BRACKET, WATER TANK (LEFT)	1
6	10053	SCREW, CAP 5/16-18 x 3/4	4
7	10213	WASHER, FLAT 5/16	8
8	10801	WASHER, LOCK 5/16	4
9	10054	NUT 5/16-18	4
10	10029	SCREW, CAP 3/8-16 x 1-3/4	4
11	10025	WASHER, FLAT 3/8	8
12	10004	NUT, LOCK 3/8-16	4
13	10843	BOLT, SPADE 3/8-16 x 1- 5/8	2
14	10810	NUT, LOCK 3/8-16	4
15	52034	BUSHING, HEX 3/4 x 1/4 NPT (BRASS)	1
16	10799	BARB, ELBOW 90° 3/8 HOSE x 1/4 MPT (BRASS)	1
17	50069	CLAMP, HOSE, SAE #6, ADJ. TO 13/16	5
18	52028	HOSE, WATER, 3/8 x 1-3/4	2
19	11637	COUPLING, QUICK-DISCONNECT 3/8" (SPECIAL FITTING w/ SHUT-OFF)	1
20	52032	VALVE KIT, STOPCOCK 1/4 NPT (INCLUDES FITTINGS)	1
21	10031	SCREW, CAP 1/4-20 x 1	2
22	10213	WASHER, FLAT 5/16	2
23	10015	NUT, LOCK 1/4-20	2



PARTS FINDER

**Search Website
by Part Number**



**Search Manual
Library For Parts
Manual & Lookup Part
Numbers – Purchase
or Request Quote**

**Can't Find Part or
Manual? Request Help
by Manufacturer,
Model & Description**

Discount-Equipment.com is your online resource for quality parts & equipment.

Florida: **561-964-4949** Outside Florida TOLL FREE: **877-690-3101**

Need parts?

Click on this link: <http://www.discount-equipment.com/category/5443-parts/> and choose one of the options to help get the right parts and equipment you are looking for. Please have the machine model and serial number available in order to help us get you the correct parts. If you don't find the part on the website or on one of the online manuals, please fill out the request form and one of our experienced staff members will get back to you with a quote for the right part that your machine needs.

We sell worldwide for the brands: Genie, Terex, JLG, MultiQuip, Mikasa, Essick, Whiteman, Mayco, Toro Stone, Diamond Products, Generac Magnum, Airman, Haulotte, Barreto, Power Blanket, Nifty Lift, Atlas Copco, Chicago Pneumatic, Allmand, Miller Curber, Skyjack, Lull, Skytrak, Tsurumi, Husquvarna Target, Stow, Wacker, Sakai, Mi-T-M, Sullair, Basic, Dynapac, MBW, Weber, Bartell, Bennar Newman, Haulotte, Ditch Runner, Menegotti, Morrison, Contec, Buddy, Crown, Edco, Wyco, Bomag, Laymor, EZ Trench, Bil-Jax, F.S. Curtis, Gehl Pavers, Heli, Honda, ICS/PowerGrit, IHI, Partner, Imer, Clipper, MMD, Koshin, Rice, CH&E, General Equipment, Amida, Coleman, NAC, Gradall, Square Shooter, Kent, Stanley, Tamco, Toku, Hatz, Kohler, Robin, Wisconsin, Northrock, Oztec, Toker TK, Rol-Air, APT, Wylie, Ingersoll Rand / Doosan, Innovatech, Con X, Ammann, Mecalac, Makinex, Smith Surface Prep, Small Line, Wanco, Yanmar