



REVISED SERIAL NO. 4550

**PARTS LIST MANUAL**

# **Model SK-14**



**14" MANUAL STREET SAW  
FOR CONCRETE & ASPHALT**



# PARTS FINDER

**Search Website  
by Part Number**



**Search Manual  
Library For Parts  
Manual & Lookup Part  
Numbers – Purchase  
or Request Quote**

**Search Manuals**

Enter your information to help us find the right parts manual for your machine.

\* Brand:

\* Model:

\* Serial:

\* Part Number:

SEARCH

**Can't Find Part or  
Manual? Request Help  
by Manufacturer,  
Model & Description**

**Parts Order Form**

Please fill in the following information to help us find the right part for your machine.

Manufacturer:	<input type="text"/>
Model:	<input type="text"/>
Description:	<input type="text"/>
Part Number:	<input type="text"/>
Quantity:	<input type="text"/>
Notes:	<input type="text"/>

Submit

Discount-Equipment.com is your online resource for quality parts & equipment.

Florida: **561-964-4949** Outside Florida TOLL FREE: **877-690-3101**

**Need parts?**

Click on this link: <http://www.discount-equipment.com/category/5443-parts/> and choose one of the options to help get the right parts and equipment you are looking for. Please have the machine model and serial number available in order to help us get you the correct parts. If you don't find the part on the website or on one of the online manuals, please fill out the request form and one of our experienced staff members will get back to you with a quote for the right part that your machine needs.

We sell worldwide for the brands: Genie, Terex, JLG, MultiQuip, Mikasa, Essick, Whiteman, Mayco, Toro Stone, Diamond Products, Generac Magnum, Airman, Haulotte, Barreto, Power Blanket, Nifty Lift, Atlas Copco, Chicago Pneumatic, Allmand, Miller Curber, Skyjack, Lull, Skytrak, Tsurumi, Husquvarna Target, Stow, Wacker, Sakai, Mi-T-M, Sullair, Basic, Dynapac, MBW, Weber, Bartell, Bennar Newman, Haulotte, Ditch Runner, Menegotti, Morrison, Contec, Buddy, Crown, Edco, Wyco, Bomag, Laymor, EZ Trench, Bil-Jax, F.S. Curtis, Gehl Pavers, Heli, Honda, ICS/PowerGrit, IHI, Partner, Imer, Clipper, MMD, Koshin, Rice, CH&E, General Equipment, Amida, Coleman, NAC, Gradall, Square Shooter, Kent, Stanley, Tamco, Toku, Hatz, Kohler, Robin, Wisconsin, Northrock, Oztec, Toker TK, Rol-Air, APT, Wylie, Ingersoll Rand / Doosan, Innovatech, Con X, Ammann, Mecalac, Makinex, Smith Surface Prep, Small Line, Wanco, Yanmar

READ AND UNDERSTAND THE OPERATORS INSTRUCTION MANUAL THOROUGHLY BEFORE ATTEMPTING TO OPERATE THIS EQUIPMENT. Death or serious injury could occur if this machine is used improperly.



## SAFETY MESSAGES



The safety instructions are preceded by a graphic alert message of DANGER, WARNING, or CAUTION.



Indicates an imminent hazard which, if not avoided, will result in death or serious injury.



Indicates an imminent hazard which, if not avoided, can result in death or serious injury.



Indicates hazards which, if not avoided, could result in serious injury and or damage to the equipment.

## GASOLINE

Powered Equipment



- Do not operate gasoline powered equipment without adequate ventilation. Carbon monoxide is an invisible, odorless gas that can kill.

## ELECTRICAL

Powered Equipment



- ELECTRICAL HAZARD** - Be sure equipment is properly grounded. Failure to comply could kill or result in serious injury.



The engine exhaust from this product contains chemicals known to the State of California to cause cancer, birth defects or other reproductive harm.

## GENERAL INSTRUCTIONS



- You must read and understand the operators instruction manual and all other manuals associated with this machine. For your safety and the safety of others around you, it is extremely important to fully understand how to operate this machine in the way it was intended. Different model machines or older/newer versions of the same model may have different parts and controls that you need to understand. If instructions are not readable or available DO NOT USE this machine and contact Discount-equipment for a replacement Manual.
- You must be able to physically handle the bulk weight and power of this machine. If not properly controlled this machine can cause death or serious injury.
- Do not operate this machine in an impaired mental state. You must be able to exercise good judgement and reactions to maintain a safe working environment.
- This is a "one person" machine which means only one operator can be operating the machine at any one time. For the safety of others, maintain a safe operating distance to other personnel. Your work area should be defined and appropriately marked so bystanders and coworkers do not stand or walk near this machine and end up seriously injured by flying debris or exposing them to harmful noise or dust.
- This equipment is for Commercial use. Although this is a "one person" machine your work team should understand how to shut this machine off and quickly get medical help if an accident strikes the operator.
- Keep all guards in place during operation. The guards are to provide protection from inadvertent contact with dangerous moving parts, pinch points, or hot surfaces.
- Wear appropriate Personal Protective Equipment (PPE) including safety glasses, safety boots, work gloves, respiratory protection, hearing protection, and head protection. Do not wear loose clothing that can get tangled in moving parts. Failure to do so could result in dismemberment or death. **Wear an approved respirator when removing hazardous materials or when grinding/cutting dry materials. Some dust particles such as concrete dust can contain silicate particles which can cause silicosis (a very serious lung disease). Contact NIOSH or OSHA for further details. When wet grinding/cutting, avoid contact with the concrete/asphalt slurry which can cause serious skin irritations.**
- You must maintain this machine per the maintenance schedule in the operator manual. Remember before adjusting, servicing, or fueling this machine, disconnect the source of power to the machine by disconnecting the spark plug (Gas models), or by unplugging the electrical power cord (electric models) or air hose (Pneumatic models) AT THE MACHINE so you can assure yourself it remains unplugged while you are working on it. Do not modify this machine. Use only genuine EDCO parts and accessories. Repairs and service should be performed by approved EDCO dealers or authorized technicians.
- You should look carefully around the area before you begin work so you can identify potential hazards such as deck inserts, pipes, columns, openings, electrical cords or outlets, or any other objects protruding from the slab surface.
- This machine has no brain so you must use your own. There is no substitute for safety. The safety decals on the machine are to serve as a reminder for information you must already know before you begin using this machine. Take a moment to reread the safety decals each time you use the machine. If your machine is missing any decals, contact Discount-equipment.

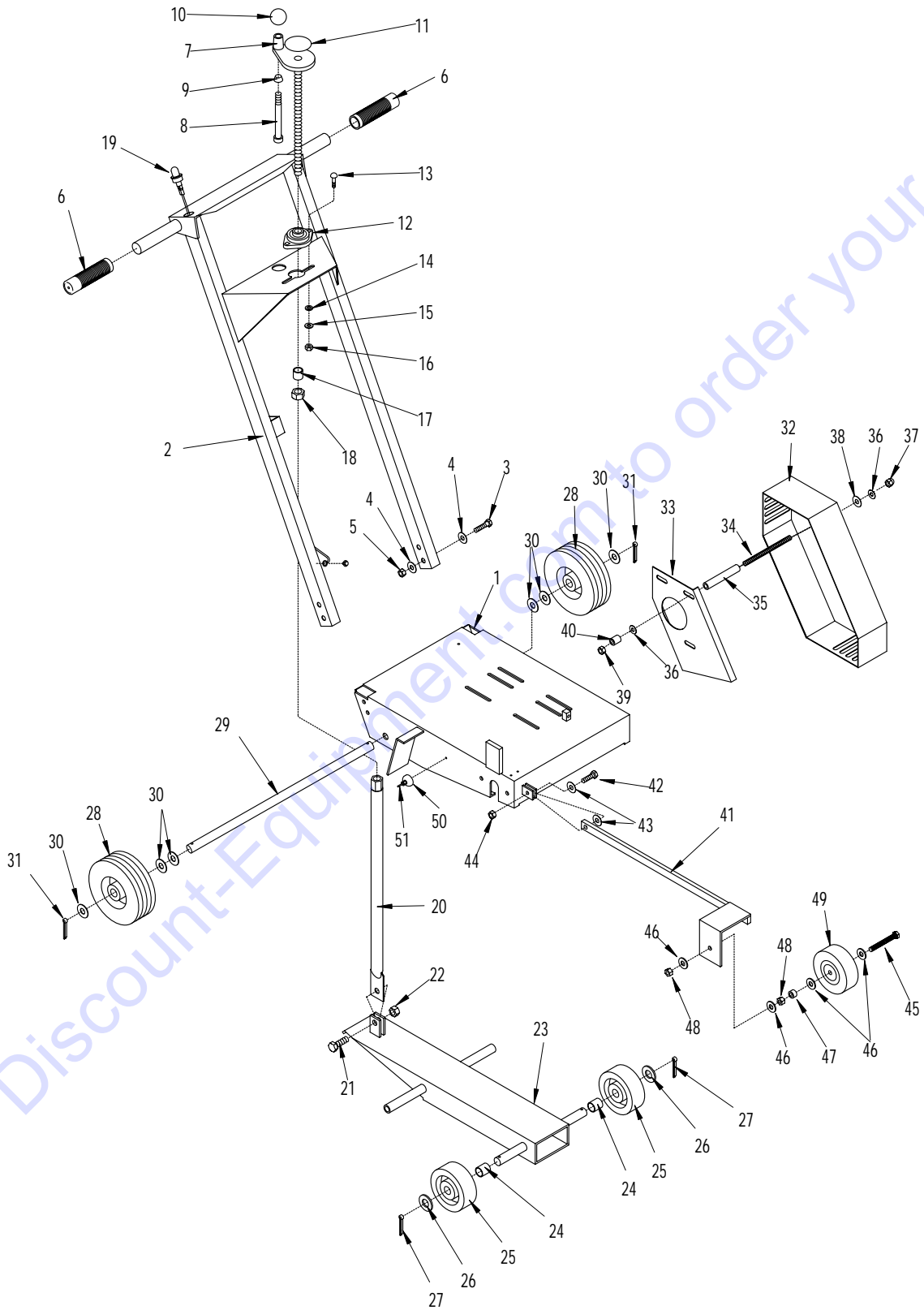
# PARTS LIST MANUAL

## EDCO MODEL SK-14

Section	Page Number
Safety Messages / General Instructions . . . . .	2
How To Order Replacement Parts . . . . .	3
Illustration #1: Main Frame Grouping . . . . .	4
Parts Listing - Illustration # 1: Main Frame Grouping . . . . .	5
Illustration # 2: Arbor & Blade Guard Grouping . . . . .	6
Parts Listing - Illustration # 2: Arbor & Blade Guard Grouping . . . . .	7
Illustration # 3: Engine Grouping . . . . .	8
Parts Listing - Illustration # 3: Engine Grouping . . . . .	9
Limited Equipment Warranty . . . . .	10

MODEL SK-14 MANUAL STREET SAWS		
PART #	MODEL #	GASOLINE ENGINE OPTION
45400D	SK14-9H	9HP HONDA GX270-QXC9
45600D	SK14-11H	11HP HONDA GX340K1-QXC9
48100D	SK14-13H	13HP HONDA GX390K1-QXC9

# ILLUSTRATION #1: MAIN FRAME GROUPING



Go to Discount-Equipment.com to order your parts



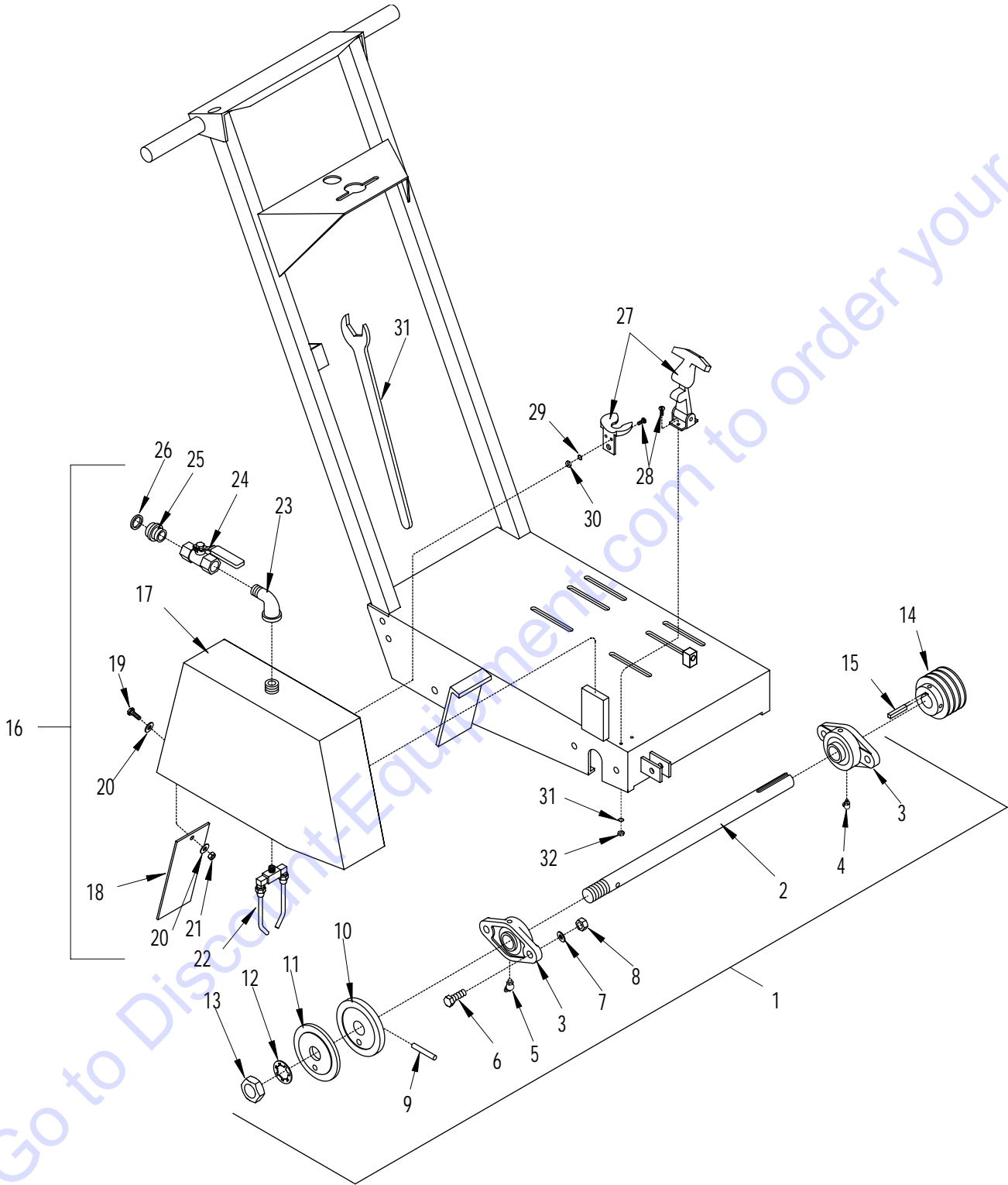
## PARTS LISTING - ILLUSTRATION # 1: MAIN FRAME GROUPING

ITEM #	PART #	DESCRIPTION	QTY.	ITEM #	PART #	DESCRIPTION	QTY.
1	52060	MAIN FRAME	1	46	10025	WASHER, FLAT 3/8	3
2	52021	HANDLE BAR	1	47	10011	SPACER, STEEL 5/8 OD x 3/8 ID x 3/8	1
3	10029	SCREW, CAP 3/8-24 x 1-3/4	4	48	10004	NUT, LOCK 3/8-24	2
4	10025	WASHER, FLAT 3/8	8	49	50024	WHEEL, 4 x 1-3/8 x 3/8" BORE	1
5	10004	NUT, LOCK 3/8-24	4	50	52022	BUMPER, RUBBER 1" OD x 3/16 ID x 7/16 H	1
6	79022	GRIP, HAND 1" MODEL RG	2	51	52023	RIVET, BLIND 3/16 x .7"L x .375 HD	1
7	80008	HANDWHEEL, SMALL w/ 5/8-11 x 12" ROD	1				
8	10411	SCREW, SKT. HD. CAP 1/2-13 x 4	1				
9	50550	SLEEVE FOR 1/2" CAPSCREW, TAPERED	1				
10	14023	KNOB, BALL 1-3/8" DIA. w/ 1/2-13 THD.	1				
11	80007	DECAL, "CUT CONTROL" (SMALL)	1				
12	80009	BEARING, BALL 5/8" 2-HOLE FLANGE	1				
13	10412	BOLT, CARRIAGE 1/4-20 x 1	2				
14	10213	WASHER, FLAT 5/16	2				
15	10602	WASHER, FLAT 1/4	2				
16	10861	NUT, KEPS 1/4-20	2				
17	55010	SPACER, HANDWHEEL 5/8" ID x 3/4	1				
18	10046	NUT 5/8-11	1				
19	50010	SWITCH KIT, STOP BUTTON, 7/8 HOLE	1				
20	52016	LINKAGE, CUT CONTROL	1				
21	10321	SCREW, CAP 1/2-20 x 1-1/4	1				
22	10205	NUT, LOCK 1/2-20	1				
23	52061	FORK	1				
24	52010	SPACER, FRONT WHEEL 3/4 ID x 15/16	2				
25	52001	WHEEL, ALUM. 4 x 1-1/2 x 3/4" BRG.	2				
26	10009	WASHER, FLAT 3/4	2				
27	10306	PIN, COTTER 3/16 x 1-1/4	2				
28	80028	WHEEL 6 x 2 x 3/4" BRG. (MOUNTED OUTSIDE OF FRAME)	2				
29	52062	AXLE SHAFT 3/4 DIA. x 19-1/4 L	1				
30	10009	WASHER, FLAT 3/4	6				
31	10306	PIN, COTTER 3/16 x 1-1/4	2				
32	52006	COVER, BELT	1				
33	52046	COVER, BELT - INNER PANEL	1				
34		STUD, BELT COVER	3				
	52013	3/8-16 x 5 1/2 (11 & 13HP HONDA)					
	52044	3/8-16 x 6 (9HP HONDA)					
35	52012	SPACER, BELT COVER 3/8 ID x 3-11/16	3				
36	10811	WASHER, LOCK 3/8	3				
37	10437	NUT, ACORN 3/8-16	3				
38	10025	WASHER, FLAT 3/8	9				
39	10404	NUT 3/8-16	3				
40	52045	SPACER, STEEL 5/8 OD x 3/8 ID x 3/4L (9HP HONDA ONLY)	1				
41	52007	GUIDE BAR	1				
42	10309	SCREW, CAP 3/8-24 x 1-1/4	1				
43	10025	WASHER, FLAT 3/8	3				
44	10004	NUT, LOCK 3/8-24	1				
45	10885	SCREW, CAP 3/8-24 x 3	1				





**ILLUSTRATION #2: ARBOR & BLADE GUARD GROUPING**

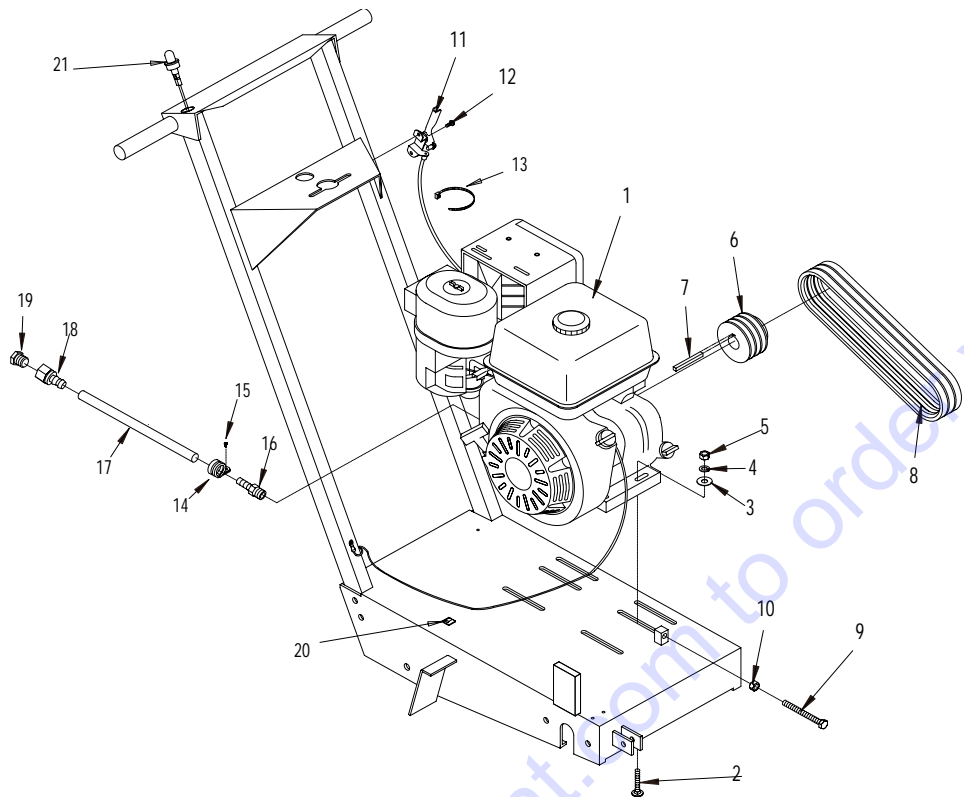


**PARTS LISTING - ILLUSTRATION # 2 : ARBOR & BLADE GUARD GROUPING**

ITEM #	PART #	DESCRIPTION	QTY.
1	69050A	ARBOR ASSEMBLY COMPLETE (ITEMS 2 -13)	1
2	69050	ARBOR SHAFT 1" DIA. x 19-1/4	1
3	62022	BEARING , BALL 1" 2-HOLE FLANGE	2
4	10961	FITTING, GREASE 1/4-28 x 90°	1
5	10960	FITTING, GREASE 1/4-28 x 45°	1
6	10003	SCREW, CAP 7/16-20 x 1-1/4	4
7	10450	WASHER, LOCK 7/16	4
8	10481	NUT 7/16-20	4
9	10211	PIN, ROLL 5/16 x 2	1
10	56026	ARBOR BACKING PLATE 4" DIA.	1
11	56025	ARBOR BLADE CAP 4" DIA. w/ 1" HOLE	1
12	55009	WASHER, LOCK, INT. TOOTH 1"	1
13	50019	NUT, JAM 1-14	1
14	80027	SHEAVE, 3" OD x 3Gr.A x 1" BORE	1
15	10115	KEY 1/4 SQ. x 2	1
16	52005A	BLADE GUARD ASSEMBLY COMPLETE ( ITEMS 17 - 26 )	
17	52005	GUARD, BLADE 14"	1
18	40012	FLAP, SPLASH 2-1/2 x 7	1
19	10018	SCREW, CAP 1/4-20 X 3/4	1
20	10602	WASHER, FLAT 1/4	2
21	10015	NUT, LOCK 1/4-20	1
22	81004	NOZZLE, COOLANT 1/8 MPT w/ 4" TUBES	1
23	10724	ELBOW, STREET 1/2 NPT x 90° (BLACK)	1
24	10711	VALVE, BALL 1/2 FPT	1
25	80021	CONN., SWIVEL FEMALE 3/4 HOSE x 1/2 MPT INCLUDES HOSE WASHER, ITEM # 26	1
26	10070	WASHER, HOSE 3/4	1
27	52002	LATCH, FLEXIBLE DRAW w/ T-HANDLE	1
28	10830	SCREW, MACHINE 10-32 x 1/2	1
29	10831	WASHER, LOCK, INT. TOOTH # 10	4
30	10832	NUT 10-32	4
31	50445	WRENCH, ARBOR 1-1/2	2



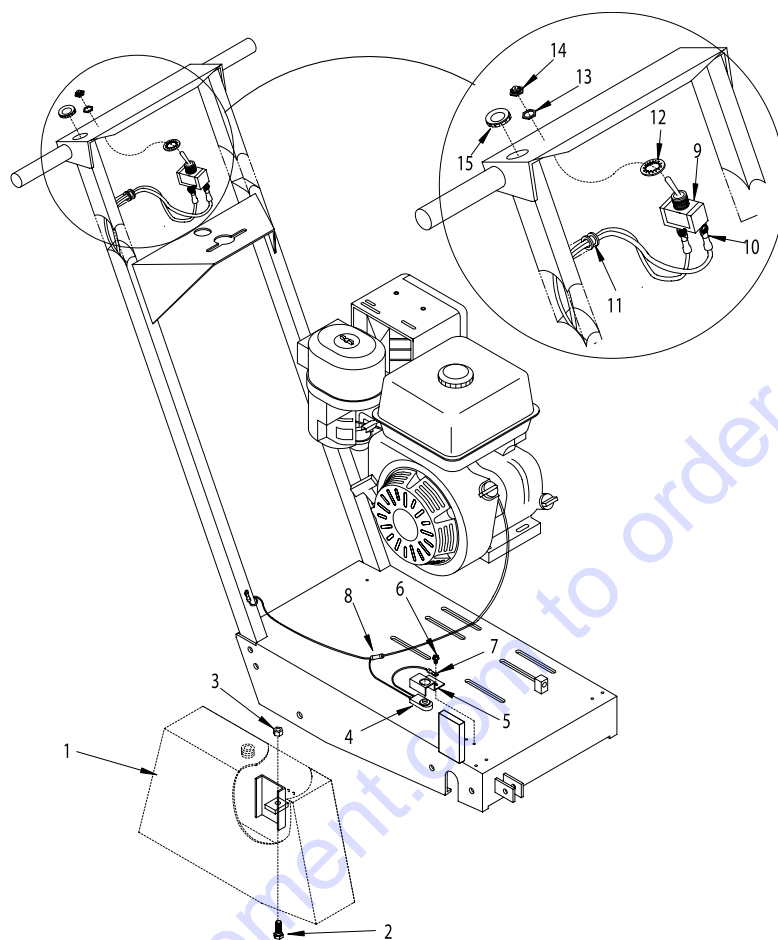
**ILLUSTRATION # 3: ENGINE GROUPING**



**PARTS LISTING - ENGINE GROUPING**

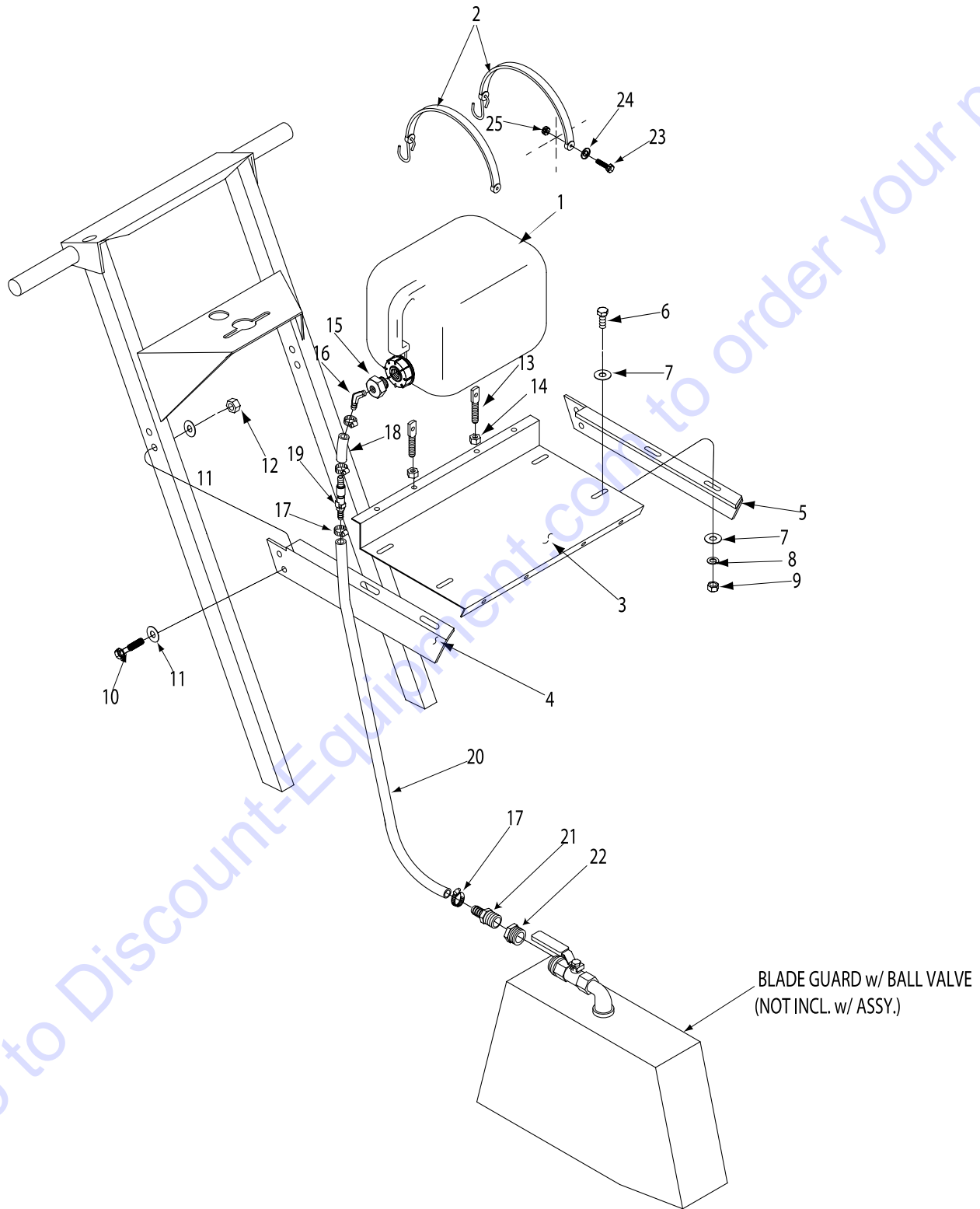
ITEM#	PART#	DESCRIPTION	QTY.	ITEM#	PART#	DESCRIPTION	QTY.
1		ENGINE,	1	12	10877	SCREW, CAP STSHW 10-24 x 1/2	2
	15027	HONDA 9HP GX270-QXC9		13	10982	TIE, CABLE, BLACK NYLON 11-1/4	1
	79045	HONDA 11HP GX340 K1-QXC9		14	11565	CLAMP, LOOM, 5/8" (SAE SIZE 10)	1
	15029	HONDA 13HP GX390K1-QXC9		15	10877	SCREW, CAP STSHW 10-24 x 1/2	1
2	10918	BOLT, CARRIAGE 5/16-18 x 1-3/4	4	16	11542	BARB, PUSH-ON 3/8 HOSE x 12mm x 1.5 MALE	1
3	10213	WASHER, FLAT 5/16	4	17	52063	HOSE, PUSH-ON 3/8" ID x 10-1/2"L	1
4	10801	WASHER, LOCK 5/16	4	18	11544	BARB, PUSH-ON 3/8 HOSE x 1/4 FPT	1
5	10054	NUT 5/16-18	4	19	10776	PIPE PLUG 1/4 NPT (BRASS)	1
6	80027	SHEAVE 3" OD x 3Gr.A x 1" BORE	1	20	36042	CLIP, ADHESIVE BACK CORD 5/8 x 5/8	2
7	10307	KEY 1/4 SQ. x 2-1/4	1	21	50010	SWITCH KIT, STOP BUTTON, 7/8" HOLE	1
8	10253	BELT AX-27	3			(INCLUDES SWITCH SUBASSY., WIRES, TERMINALS, BUTT CONNECTOR & GROUND HARDWARE)	
9	52015	BOLT, TAP 3/8-16 x 3-1/2 (FULL THREAD)	1				
10	10404	NUT 3/8-16	1				
11	40388	CABLE, THROTTLE, LEVER-TYPE 24"	1				

## ILLUSTRATION # 4: CE BLADE GUARD WITH SAFETY SWITCH



PARTS LISTING - CE BLADE GUARD WITH SAFETY SWITCH			
ITEM #	PART #	DESCRIPTION	QTY.
1	52005E	GUARD, BLADE 14" CE (REFER TO ILLUS. #2 FOR VALVE, NOZZLE AND FLAP COMPONENTS)	1
2	10021	SCREW, CAP 3/8-24 x 1	1
3	10014	NUT 3/8-24	1
4	52040	SWITCH, WATERPROOF, 2-WIRE N/C	1
5	52041	BRACKET, SAFETY SWITCH	1
6	10877	SCREW, CAP STHW 10-24 x 1/2	2
7	50084	TERM., RING # 10 16-14 GA. INSULATED	1
8	10938	CONNECTOR, BUTT 16-14 GA. INSULATED	1
9	10633	SWITCH, TOGGLE SPST	1
10	11642	TREM., RING #6 16-14 GA. BLUE VINYL INSULATED	2
11	11560	GROMMET, 7/16ID x 3/16GRV. x 9/16GD.	1
12	10454	WASHER, LOCK, INT. TOOTH 1/2"	1
13	~~~~~	THIN HEX NUT INCL. w/ TOGGLE SWITCH	1
14	10674	BOOT, TOGGLE SWITCH	1
15	10005	PLUG, HOLE 7/8" (CHROME)	1

**ILLUSTRATION #5: OPTIONAL WATER TANK ASSEMBLY  
PART # 52030**



**ILLUSTRATION # 5: OPTIONAL WATER TANK ASSEMBLY (PART # 52030)**

ITEM #	PART #	DESCRIPTION	QTY.
1	52031	DRUM, PLASTIC 5 GALLON, 3/4 NPT CAP	1
2	52035	TIE-DOWN STRAP, MOLDED RUBBER 24"	2
3	52036	TRAY, WATER TANK	1
4	52037	MOUNT BRACKET, WATER TANK (RIGHT)	1
5	52038	MOUNT BRACKET, WATER TANK (LEFT)	1
6	10053	SCREW, CAP 5/16-18 x 3/4	4
7	10213	WASHER, FLAT 5/16	8
8	10801	WASHER, LOCK 5/16	4
9	10054	NUT 5/16-18	4
10	10029	SCREW, CAP 3/8-16 x 1-3/4	4
11	10025	WASHER, FLAT 3/8	8
12	10004	NUT, LOCK 3/8-16	4
13	10843	BOLT, SPADE 2- 3/8-16 x 1- 5/8	2
14	10810	NUT, LOCK 3/8-16	4
15	52034	BUSHING, HEX 3/4 x 1/4 NPT (BRASS)	1
16	10799	BARB, ELBOW 90° 3/8 HOSE x 1/4 MPT	1
17	10714	CLAMP, HOSE, SAE #4, ADJ. TO 5/8"	4
18	52028	HOSE, WATER, 3/8 x 1-3/4	1
19	11637	COUPLING, QUICK-DISCONNECT 3/8" (SPECIAL FITTING w/ SHUT-OFF)	1
20	52029	HOSE, WATER, 3/8 x 18-1/2"	1
21	52027	BARB, 3/8 HOSE x 1/2MPT, WHT NYLON	1
22	52026	ADAPTER, 3/4 MGH x 1/2FPT, WHT NYLON	1
23	10031	SCREW, CAP 1/4-20 x 1	2
24	10213	WASHER, FLAT 5/16	2
25	10015	NUT, LOCK 1/4-20	2

# PARTS FINDER

**Search Website  
by Part Number**



**Search Manual  
Library For Parts  
Manual & Lookup Part  
Numbers – Purchase  
or Request Quote**

**Search Manuals**

Enter your information to help us find the right parts manual for your machine.

\* Brand:

\* Model:

\* Serial:

\* Part Number:

SEARCH

**Can't Find Part or  
Manual? Request Help  
by Manufacturer,  
Model & Description**

**Parts Order Form**

Please fill in the following information to help us find the right part for your machine.

Manufacturer:	<input type="text"/>
Model:	<input type="text"/>
Description:	<input type="text"/>
Part Number:	<input type="text"/>
Quantity:	<input type="text"/>
Notes:	<input type="text"/>

Discount-Equipment.com is your online resource for quality parts & equipment.

Florida: **561-964-4949** Outside Florida TOLL FREE: **877-690-3101**

**Need parts?**

Click on this link: <http://www.discount-equipment.com/category/5443-parts/> and choose one of the options to help get the right parts and equipment you are looking for. Please have the machine model and serial number available in order to help us get you the correct parts. If you don't find the part on the website or on one of the online manuals, please fill out the request form and one of our experienced staff members will get back to you with a quote for the right part that your machine needs.

We sell worldwide for the brands: Genie, Terex, JLG, MultiQuip, Mikasa, Essick, Whiteman, Mayco, Toro Stone, Diamond Products, Generac Magnum, Airman, Haulotte, Barreto, Power Blanket, Nifty Lift, Atlas Copco, Chicago Pneumatic, Allmand, Miller Curber, Skyjack, Lull, Skytrak, Tsurumi, Husquvarna Target, Stow, Wacker, Sakai, Mi-T-M, Sullair, Basic, Dynapac, MBW, Weber, Bartell, Bennar Newman, Haulotte, Ditch Runner, Menegotti, Morrison, Contec, Buddy, Crown, Edco, Wyco, Bomag, Laymor, EZ Trench, Bil-Jax, F.S. Curtis, Gehl Pavers, Heli, Honda, ICS/PowerGrit, IHI, Partner, Imer, Clipper, MMD, Koshin, Rice, CH&E, General Equipment, Amida, Coleman, NAC, Gradall, Square Shooter, Kent, Stanley, Tamco, Toku, Hatz, Kohler, Robin, Wisconsin, Northrock, Oztec, Toker TK, Rol-Air, APT, Wylie, Ingersoll Rand / Doosan, Innovatech, Con X, Ammann, Mecalac, Makinex, Smith Surface Prep, Small Line, Wanco, Yanmar