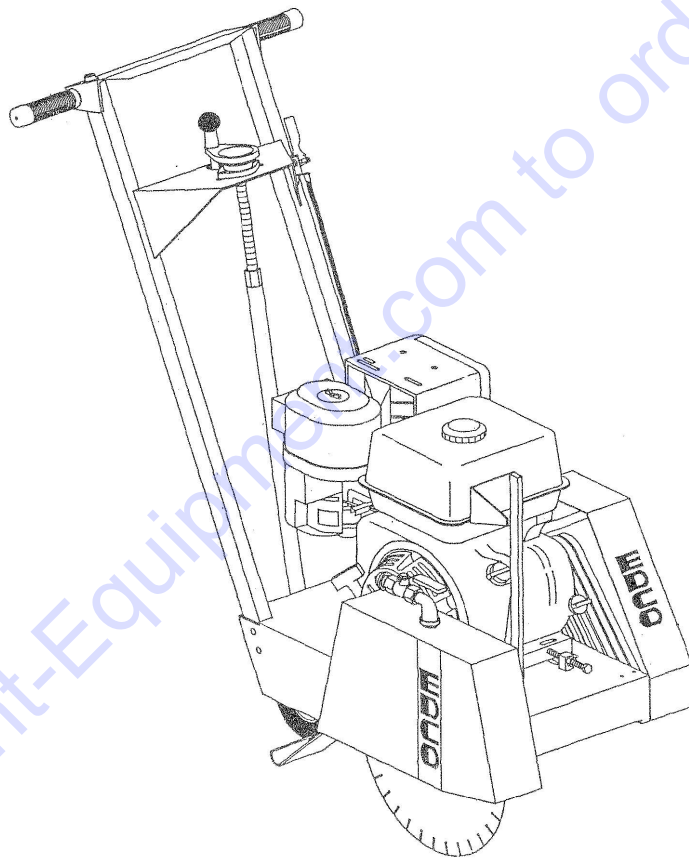


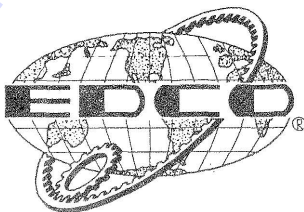
REVISED SEPTEMBER 1994
STARTING SERIAL NO. 1819

CONCRETE / ASPHALT SAW

PARTS LIST MANUAL



MODEL SK-14 "DOWN-CUT"



PRINTED IN U.S. A.

PARTS FINDER

**Search Website
by Part Number**



**Search Manual
Library For Parts
Manual & Lookup Part
Numbers – Purchase
or Request Quote**

Search Manuals

Enter your information to help us find the right parts manual for your machine.

* Brand:

* Model:

* Serial:

* Part Number:

SEARCH

**Can't Find Part or
Manual? Request Help
by Manufacturer,
Model & Description**

Parts Order Form

Please fill in the following information to help us find the right part for your machine.

Manufacturer:	<input type="text"/>
Model:	<input type="text"/>
Description:	<input type="text"/>
Part Number:	<input type="text"/>
Quantity:	<input type="text"/>
Notes:	<input type="text"/>

Submit

Discount-Equipment.com is your online resource for quality parts & equipment.

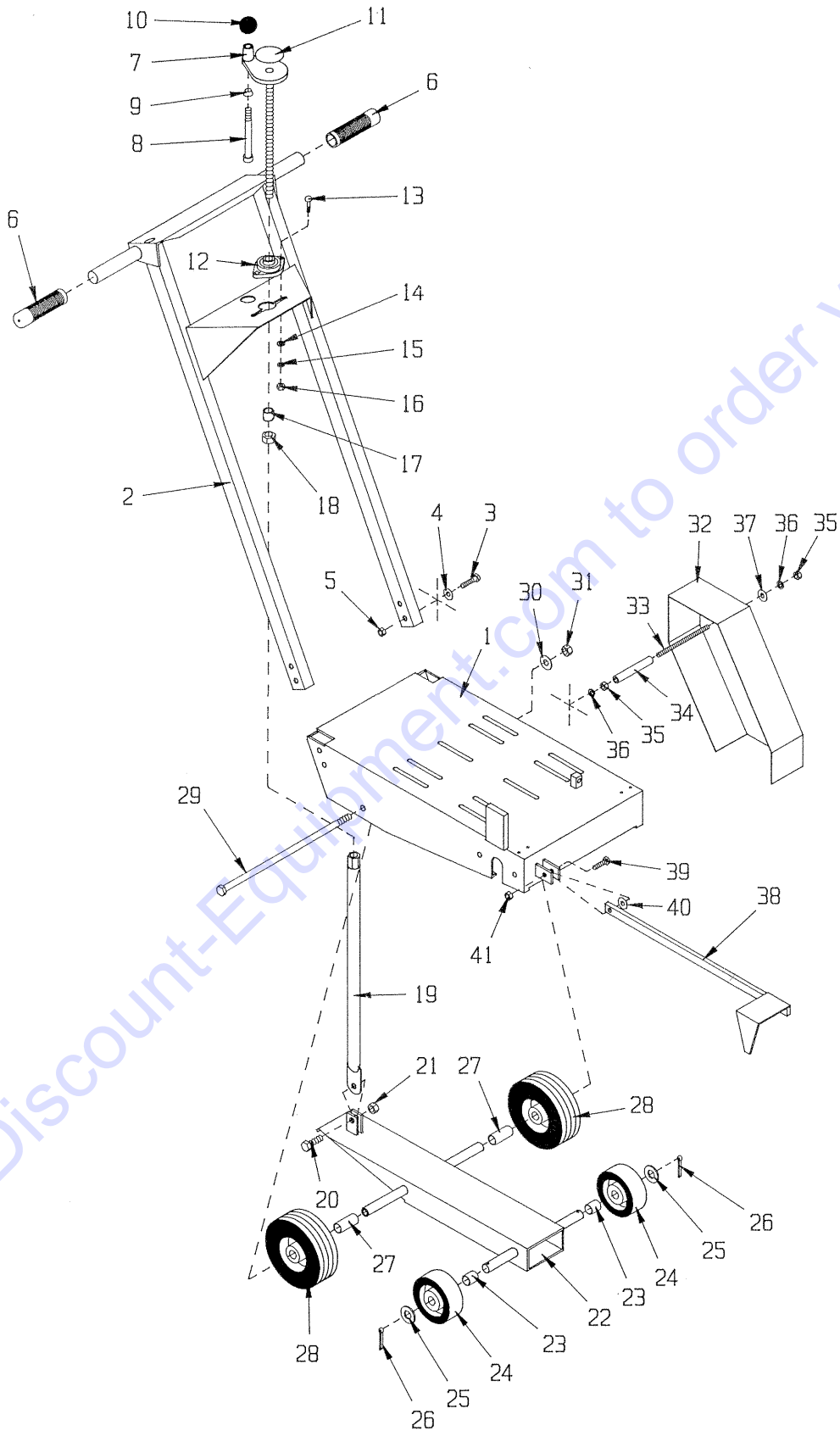
Florida: **561-964-4949** Outside Florida TOLL FREE: **877-690-3101**

Need parts?

Click on this link: <http://www.discount-equipment.com/category/5443-parts/> and choose one of the options to help get the right parts and equipment you are looking for. Please have the machine model and serial number available in order to help us get you the correct parts. If you don't find the part on the website or on one of the online manuals, please fill out the request form and one of our experienced staff members will get back to you with a quote for the right part that your machine needs.

We sell worldwide for the brands: Genie, Terex, JLG, MultiQuip, Mikasa, Essick, Whiteman, Mayco, Toro Stone, Diamond Products, Generac Magnum, Airman, Haulotte, Barreto, Power Blanket, Nifty Lift, Atlas Copco, Chicago Pneumatic, Allmand, Miller Curber, Skyjack, Lull, Skytrak, Tsurumi, Husquvarna Target, Stow, Wacker, Sakai, Mi-T-M, Sullair, Basic, Dynapac, MBW, Weber, Bartell, Bennar Newman, Haulotte, Ditch Runner, Menegotti, Morrison, Contec, Buddy, Crown, Edco, Wyco, Bomag, Laymor, EZ Trench, Bil-Jax, F.S. Curtis, Gehl Pavers, Heli, Honda, ICS/PowerGrit, IHI, Partner, Imer, Clipper, MMD, Koshin, Rice, CH&E, General Equipment, Amida, Coleman, NAC, Gradall, Square Shooter, Kent, Stanley, Tamco, Toku, Hatz, Kohler, Robin, Wisconsin, Northrock, Oztec, Toker TK, Rol-Air, APT, Wylie, Ingersoll Rand / Doosan, Innovatech, Con X, Ammann, Mecalac, Makinex, Smith Surface Prep, Small Line, Wanco, Yanmar

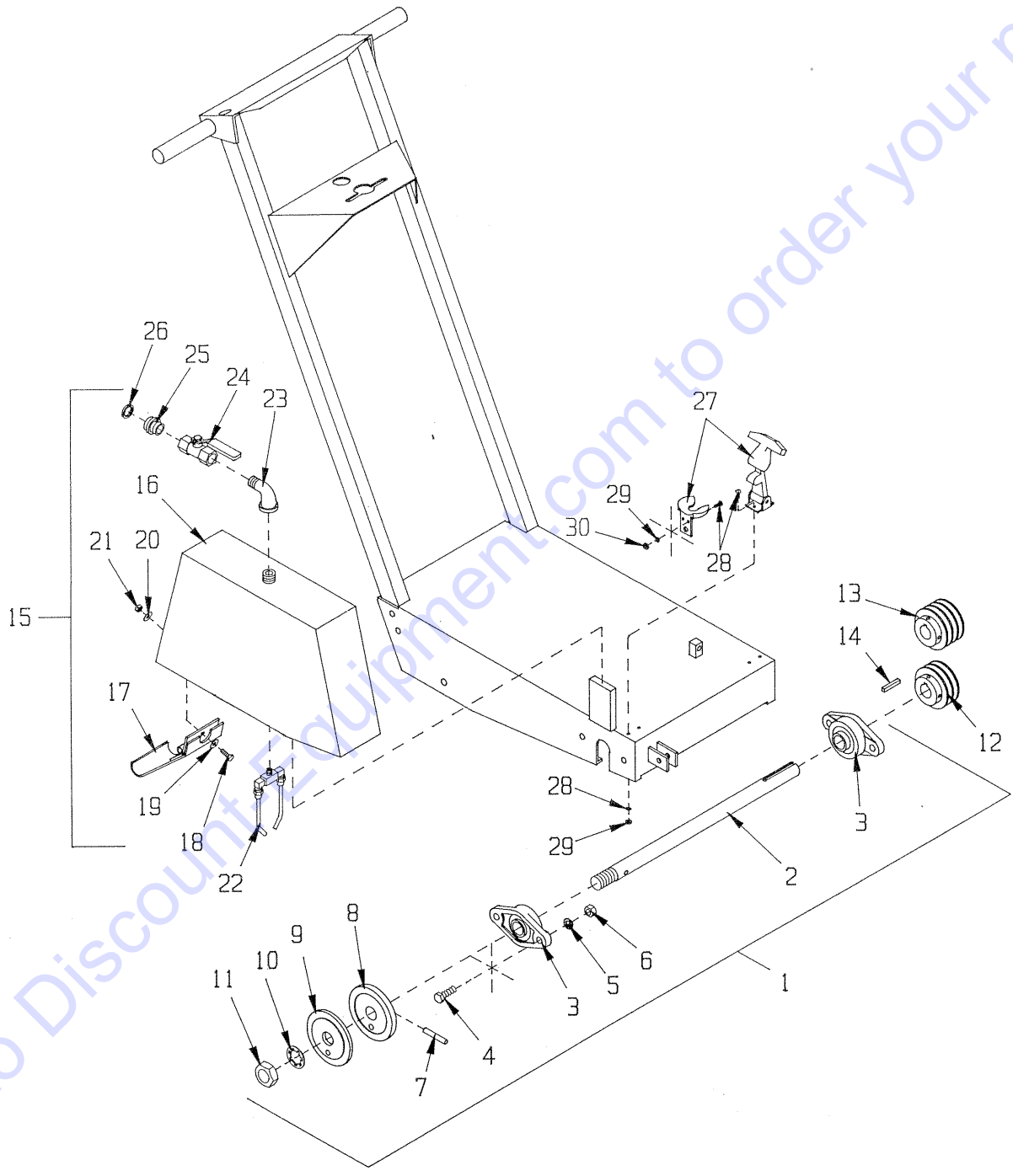
ILLUSTRATION 1: FRAME GROUPING



PARTS LISTING - ILLUSTRATION 1: MAIN FRAME GROUPING

Item #	Part #	Description	Qty.
1	52018	Main Frame (Down-Cut)	1
2	52021	Handle Bar	1
3	10816	Screw, Cap 3/8-24 x 1-1/2	4
4	10025	Washer, Flat 3/8	4
5	10004	Nut, Lock 3/8-24	4
6	79022	Grip, Hand 1" Model RG	2
7	80008	Handwheel, Small w/ 5/8-11 x 12" Rod	1
8	10411	Screw, Skt. Hd. Cap 1/2-13 x 4	1
9	50550	Sleeve For 1/2" Capscrew, Tapered	1
10	14023	Knob, Ball 1-3/8" Dia. w/ 1/2-13 Thd.	1
11	80007	Decal, "Cut-Control" (Small)	1
12	80009	Bearing, Ball 5/8" 2-Hole Flange	2
13	10412	Bolt, Carriage 1/4-20 x 1	2
14	10602	Washer, Flat 1/4	2
15	10038	Washer, Lock 1/4	2
16	10013	Nut 1/4-20	2
17	55010	Spacer, Handwheel 5/8" I.D. x 3/4	1
18	10046	Nut 5/8-11	1
19	52016	Linkage, Cut-Control	1
20	10308	Screw, Cap 1/2-20 x 1-1/2	1
21	10205	Nut, Lock 1/2-20	1
22	52004	Fork	1
23	52010	Spacer, Front Wheel 3/4 I.D. x 15/16	2
24	52001	Wheel, Alum. 4 x 1-1/2 x 3/4" Brg.	2
25	10009	Washer, Flat 3/4	2
26	10306	Pin, Cotter 3/16 x 1-1/2	2
27	52011	Spacer, Rear Wheel 3/4 I.D. x 1-7/8	2
28	80028	Wheel 6 x 2 x 3/4" Brg.	2
29	52014	Screw, Cap 1/2-13 x 14	1
30	10312	Washer, Flat 1/2	1
31	10407	Nut, Lock 1/2-13	1
32	52006	Cover, Belt (Down-Cut)	1
33	52013	Stud, Belt Cover 3/8-16 x 5-1/2	3
34	52012	Spacer, Belt Cover 3/8 I.D. x 3-13/16	3
35	10404	Nut 3/8-16	6
36	10811	Washer, Lock 3/8	6
37	10025	Washer, Flat 3/8	3
38	52007	Guide Bar (Down-Cut)	1
39	10309	Screw, Cap 3/8-24 x 1-1/4	1
40	10025	Washer, Flat 3/8	1
41	10004	Nut, Lock 3/8-24	1

ILLUSTRATION 2: ARBOR & BLADE GUARD GROUPING



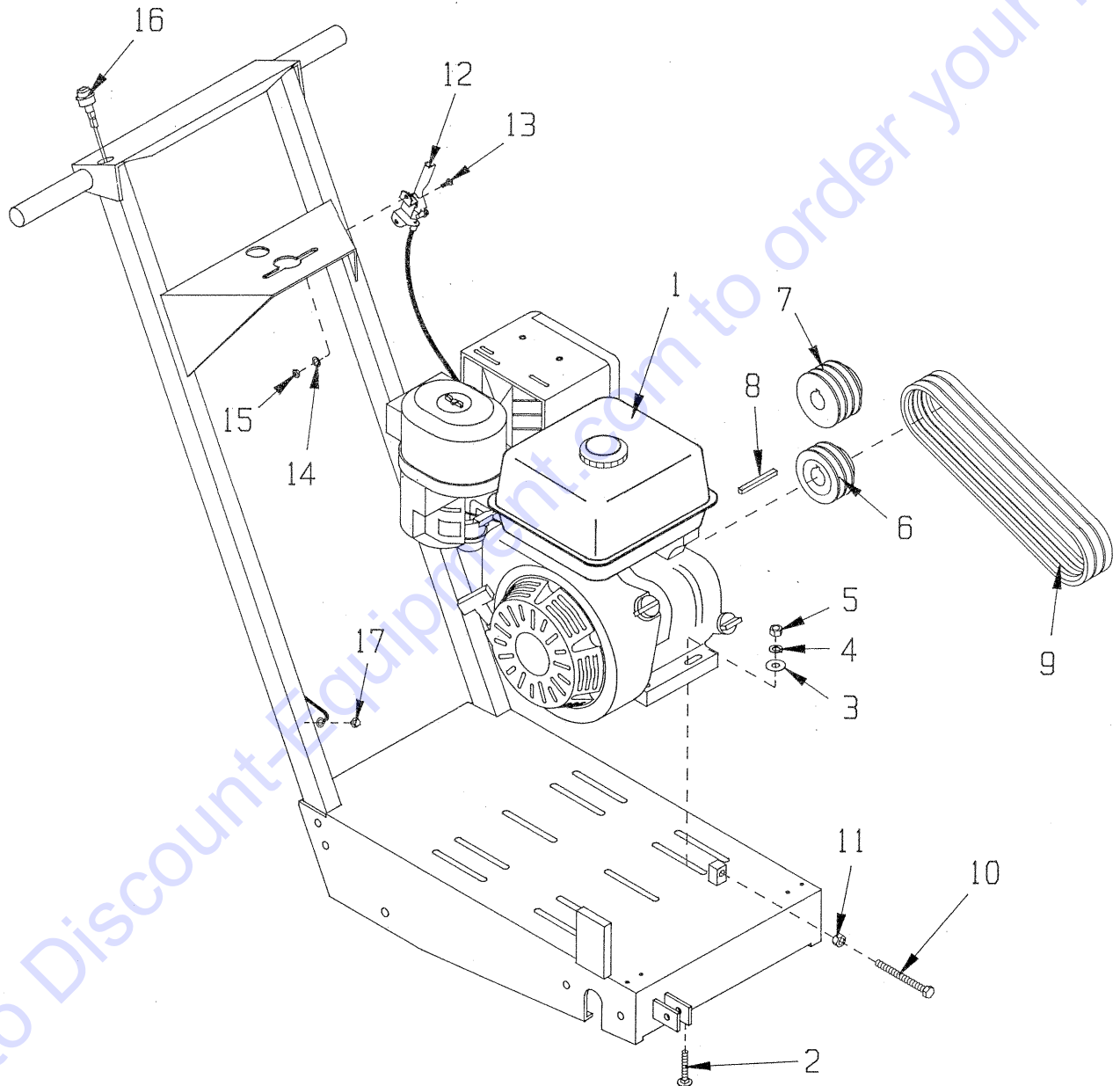
PARTS LISTING - ILLUSTRATION 2: ARBOR & BLADE GUARD GROUPING

Item #	Part #	Description	Qty.
1	69050A	Arbor Assembly Complete Includes Items 2 thru 11	
2	69050	Arbor Shaft 1"Dia. x 18-1/2"L.	1
3	62022	Bearing, Ball 1" 2-Hole Flange	2
4	10003	Screw, Cap 7/16-20 x 1-1/4	4
5	10450	Washer, Lock 7/16	4
6	10481	Nut 7/16-20	4
7	10211	Pin, Roll 5/16 x 2	1
* 8	56026	Arbor Backing Plate 4"Dia.	1
* 9	56025	Arbor-Blade Retaining Cap 4"Dia.	1
10	55009	Washer, Lock, Int. Tooth 1"	1
11	50019	Nut, Jam 1-14	1
*12	10109	Sheave, 3"O.D. x 2Gr.A x 1"Bore	1
*13	80027	Sheave, 3"O.D. x 3Gr.A x 1"Bore	1
14	10301	Key 1/4 Sq. x 1-1/2	1
15	52005A	Blade Guard Assembly Complete (Down-Cut) (Includes Items 16 thru 26)	
16	52005	Guard, Blade 14" (Down-Cut)	1
17	52020	Guard, Steel Flap	1
18	10018	Screw, Cap 1/4-20 x 3/4	1
19	10602	Washer, Flat 1/4	1
20	10038	Washer, Lock 1/4	1
21	10013	Nut 1/4-20	1
22	81004	Nozzle, Coolant	1
23	10724	Elbow, Street 1/2 NPT x 90 (Black)	1
24	10711	Valve, Ball 1/2 FPT	1
25	80021	Conn., Swivel Female 3/4 Hose x 1/2 MPT	1
26	10070	Washer, Hose 3/4	1
27	52002	Latch, Flexible Draw w/ T-Handle	1
28	10830	Screw, Machine 10-32 x 1/2	4
29	10831	Washer, Lock, Int. Tooth #10	4
30	10832	Nut 10-32	4

* Notes:

- Honda 11 HP engines use a 3-belt, A-style groove sheave (Item 13). All other units require a 2-belt, A-style groove sheave (Item 12).
- Starting Aug. 1993 (Serial No. 1374) Arbor Blade Retaining Cap (Item 9) and Backing Plate (Item 8) were changed from 3-1/2"Dia. to 4"Dia.

ILLUSTRATION 3: ENGINE GROUPING



PARTS LISTING - ILLUSTRATION 3: ENGINE GROUPING			
Item #	Part #	Description	Qty.
1		Engine	1
	76025	Honda 8 HP GX240 (Shown)	
	15015	Kohler 8 HP Magnum M8T	
	4853	Briggs & Stratton 8 HP	
	79045	Honda 11 HP GX340	
2	10918	Bolt, Carriage 5/16-18 x 1-3/4	4
3	10213	Washer, Flat 5/16	4
4	10801	Washer, Lock 5/16	4
5	10054	Nut, 5/16-18	4
*6	10109	Sheave 3"O.D. x 2Gr.A x 1"Bore	1
*7	80027	Sheave 3"O.D. x 3Gr.A x 1"Bore	1
8	10301	Key 1/4 Sq. x 1-1/2	1
9	10253	Belt, AP-27 (8 HP)	2
	10253	Belt, AP-27 (11 HP)	3
10	52015	Bolt, Tap 3/8-16 x 3-1/2 (Full Thd.)	1
11	10404	Nut 3/8-16	1
12		Cable, Throttle, Lever-Type	1
	40388	24" - Honda, Kohler	
	3611	54" - Briggs & Stratton (Trim to appropriate length)	
13	10830	Screw, Mach. 10-32 x 1/2	2
14	10831	Washer, Int. Tooth #10	2
15	10832	Nut 10-32	2
16	50010	Switch Kit, Stop Button	1
17	10877	Screw, Self-Tap Hex Washer 10-24 x 1/2	1
<p>* Notes:</p> <p>1. Honda 11 HP engines use 3-belt, A-style groove sheave. (Item 7). All other units require a 2-belt, A-style groove sheave (Item 6).</p>			

PARTS FINDER

**Search Website
by Part Number**



**Search Manual
Library For Parts
Manual & Lookup Part
Numbers – Purchase
or Request Quote**

Search Manuals

Enter your information to help us find the right parts manual for your machine.

* Brand:

* Model:

* Serial:

* Part Number:

SEARCH

**Can't Find Part or
Manual? Request Help
by Manufacturer,
Model & Description**

Parts Order Form

Please fill in the following information to help us find the right part for your machine.

Manufacturer:	<input type="text"/>
Model:	<input type="text"/>
Description:	<input type="text"/>
Part Number:	<input type="text"/>
Quantity:	<input type="text"/>
Notes:	<input type="text"/>

Submit

Discount-Equipment.com is your online resource for quality parts & equipment.

Florida: **561-964-4949** Outside Florida TOLL FREE: **877-690-3101**

Need parts?

Click on this link: <http://www.discount-equipment.com/category/5443-parts/> and choose one of the options to help get the right parts and equipment you are looking for. Please have the machine model and serial number available in order to help us get you the correct parts. If you don't find the part on the website or on one of the online manuals, please fill out the request form and one of our experienced staff members will get back to you with a quote for the right part that your machine needs.

We sell worldwide for the brands: Genie, Terex, JLG, MultiQuip, Mikasa, Essick, Whiteman, Mayco, Toro Stone, Diamond Products, Generac Magnum, Airman, Haulotte, Barreto, Power Blanket, Nifty Lift, Atlas Copco, Chicago Pneumatic, Allmand, Miller Curber, Skyjack, Lull, Skytrak, Tsurumi, Husquvarna Target, Stow, Wacker, Sakai, Mi-T-M, Sullair, Basic, Dynapac, MBW, Weber, Bartell, Bennar Newman, Haulotte, Ditch Runner, Menegotti, Morrison, Contec, Buddy, Crown, Edco, Wyco, Bomag, Laymor, EZ Trench, Bil-Jax, F.S. Curtis, Gehl Pavers, Heli, Honda, ICS/PowerGrit, IHI, Partner, Imer, Clipper, MMD, Koshin, Rice, CH&E, General Equipment, Amida, Coleman, NAC, Gradall, Square Shooter, Kent, Stanley, Tamco, Toku, Hatz, Kohler, Robin, Wisconsin, Northrock, Oztec, Toker TK, Rol-Air, APT, Wylie, Ingersoll Rand / Doosan, Innovatech, Con X, Ammann, Mecalac, Makinex, Smith Surface Prep, Small Line, Wanco, Yanmar