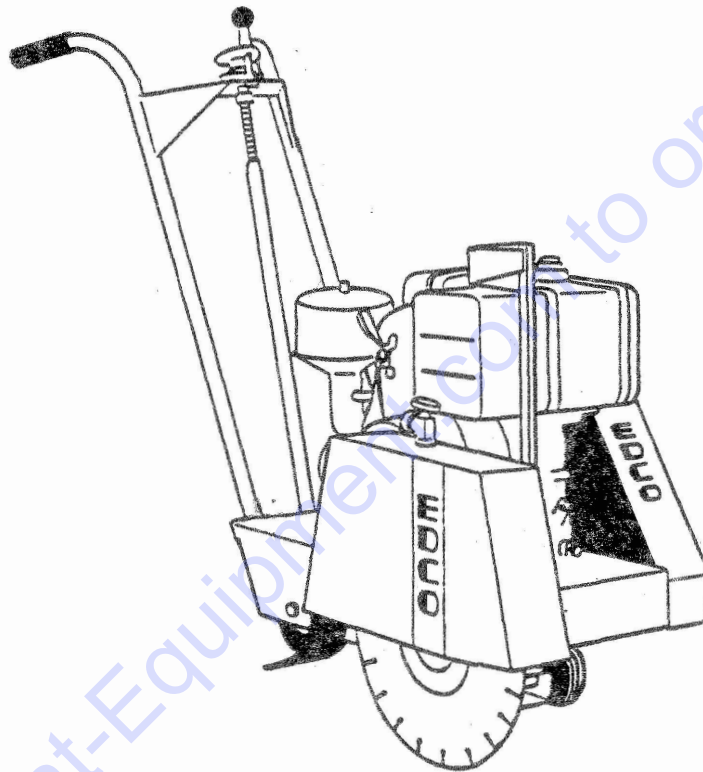
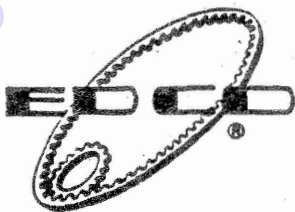


CONCRETE / ASPHALT SAW

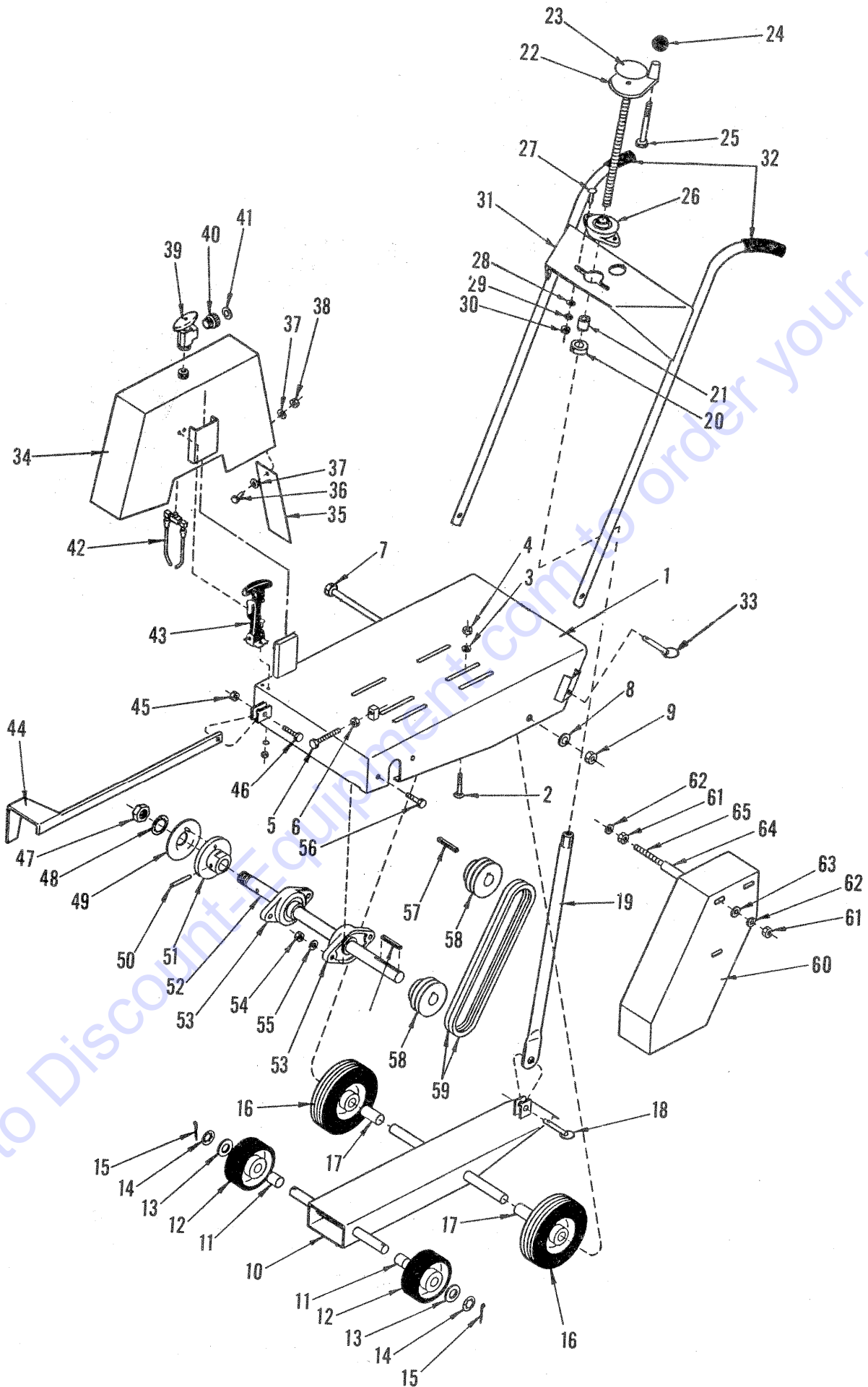
PARTS MANUAL



Model SK-14 "Down-Cut"



**Discount
Equipment**



Item #	Part #	Qty.	Description	Item #	Part #	Qty.	Description
1.	52018	1	Main Frame	36.	10018	1	Screw, Cap 1/4-20 x 3/4
2.	10817	4	Bolt, Carr. 5/16-18 x 1-1/2	37.	10602	2	Washer, Flat 1/4
3.	10801	4	Washer, Lock 5/16	38.	10015	1	Nut, Lock 1/4-20
4.	10054	4	Nut 5/16-18	39.	80003	1	Valve, Angle Stop 1/2FIP
5.	52015	1	Screw, Cap 3/8-16 x 3-1/2 Full	40.	80021	1	Conn., Fem. 3/4Hose x 1/2MIP
6.	10404	1	Nut 3/8-16	41.	10070	1	Washer, Hose
7.	52014	1	Screw, Cap 1/2-13 x 14	42.	81004	1	Nozzle, Coolant (Male)
8.	10312	1	Washer, Flat 1/2	43.	52002	1	Latch, Flex. Draw w/ T-Handle
9.	10407	1	Nut, Lock 1/2-13		10830	4	Screw, Mach. 10-32 x 1/2
10.	52004	1	Fork (Under Carriage)		10831	4	Washer, Int. Tooth #10
11.	52010	2	Spacer 3/4ID x 15/16		10832	4	Nut 10-32
12.	52001	2	Wheel, 4 x 1.5 x 3/4Brg.	44.	52007	1	Guide Bar
13.	10009	2	Washer, Flat 3/4	45.	10004	1	Nut, Lock 3/8-24
14.	20050	2	Clip, Retaining 3/4	46.	10309	1	Screw, Cap 3/8-24 x 1-1/4
15.	10306	2	Pin, Cotter 3/16 x 1-1/2	47.	50019	1	Nut, Jam 1-1/4
16.	80028	2	Wheel 6 x 2 x 3/4Brg.	48.	55009	1	Washer, Int. Tooth 1"
17.	52011	2	Spacer, Wheel 3/4ID x 1-7/8	49.	56019	1	Arbor, Blade Retaining Cap
18.	10125	1	Pin, Detent Ring 1/2 x 1-1/2	50.	10211	1	Pin, Roll 5/16 x 2
19.	52016	1	Linkage, "Cut Control"	51.	56008	1	Arbor, Backing Plate
20.	10046	1	Nut 5/8-11	52.	69050	1	Arbor Shaft 1"RD x 18-1/2
21.	55010	1	Spacer, Handwheel 5/8ID x 3/4	53.	62022	2	Bearing, Ball 1" 2-Hole
22.	80008	1	Handwheel w/ 5/8-11 x 12	54.	10004	4	Nut, Lock 3/8-24
23.	80007	1	Decal, "Cut Control"	55.	10025	4	Washer, Flat 3/8
24.	14023	1	Knob, Ball 1/2-13 x 1-3/8 Rd.	56.	10309	4	Screw, Cap 3/8-24 x 1-1/4
25.	81001	1	Screw, Cap 1/2-13 x 4	57.	10301	2	Key 1/4 Sq. x 1-1/2
26.	80009	1	Bearing, Ball 5/8 2-Hole	58.	10109	2	Sheave 3"OD x 2Gr.A x 1"Bore
27.	10412	2	Bolt, Carr. 1/4-20 x 1	or 80027	2	Sheave 3"OD x 3Gr.A x 1"Bore	
28.	10602	2	Washer, Flat 1/4	59.	10253	2 or 3	Belt AP-27
29.	10038	2	Washer, Lock 1/4	60.	52006	1	Cover, Belt
30.	10013	2	Nut 1/4-20	61.	10404	6	Nut 3/8-16
31.	52019	1	Handle Bar	62.	10811	6	Washer, Lock 3/7
32.	79022	2	Grip, Hand 1" Hunt	63.	10025	3	Washer, Flat 3/8
33.	10125	2	Pin, Detent Ring 1/2 x 1-1/2	64.	52012	3	Spacer, 3/8ID x 3-13/16
34.	52005	1	Guard, Blade 14"	65.	52013	3	Stud, 3/8-16 x 5-1/2
35.	52017	1	Flap, Splash				

POWER OPTIONS (NOT SHOWN)

15015	Engine, Kohler 8 H.P.	15013	Engine, B & S 10 H.P.
4853	Engine, B & S 8 H.P.	79045	Engine, Honda 11 H.P.
76025	Engine, Honda 8 H.P.		

IMPORTANT!!!

When ordering parts, please specify the MODEL and SERIAL number of the machine as given on the name plate and give part number, quantity, and description as listed on the parts list.

PRODUCT IMPROVEMENT LIABILITY DISCLAIMER

The EQUIPMENT DEVELOPMENT COMPANY INC. reserves the right to make any changes in or improvements on its products without incurring any liability or obligation whatever and without being required to make any corresponding changes or improvements in products previously manufactured or sold.

PARTS FINDER

**Search Website
by Part Number**



**Search Manual
Library For Parts
Manual & Lookup Part
Numbers – Purchase
or Request Quote**

Search Manuals

Enter your information to help us find the right parts manual for your machine.

* Brand:

* Model:

* Serial:

* Part Number:

SEARCH

**Can't Find Part or
Manual? Request Help
by Manufacturer,
Model & Description**

Parts Order Form

Please fill in the following information to help us find the right part for your machine.

MANUFACTURER:

MODEL:

DESCRIPTION:

DATE:

TIME:

PHONE:

EMAIL:

ADDRESS:

CITY:

STATE:

ZIP:

COUNTRY:

SEARCH

Discount-Equipment.com is your online resource for quality parts & equipment.

Florida: **561-964-4949** Outside Florida TOLL FREE: **877-690-3101**

Need parts?

Click on this link: <http://www.discount-equipment.com/category/5443-parts/> and choose one of the options to help get the right parts and equipment you are looking for. Please have the machine model and serial number available in order to help us get you the correct parts. If you don't find the part on the website or on one of the online manuals, please fill out the request form and one of our experienced staff members will get back to you with a quote for the right part that your machine needs.

We sell worldwide for the brands: Genie, Terex, JLG, MultiQuip, Mikasa, Essick, Whiteman, Mayco, Toro Stone, Diamond Products, Generac Magnum, Airman, Haulotte, Barreto, Power Blanket, Nifty Lift, Atlas Copco, Chicago Pneumatic, Allmand, Miller Curber, Skyjack, Lull, Skytrak, Tsurumi, Husquvarna Target, Stow, Wacker, Sakai, Mi-T-M, Sullair, Basic, Dynapac, MBW, Weber, Bartell, Bennar Newman, Haulotte, Ditch Runner, Menegotti, Morrison, Contec, Buddy, Crown, Edco, Wyco, Bomag, Laymor, EZ Trench, Bil-Jax, F.S. Curtis, Gehl Pavers, Heli, Honda, ICS/PowerGrit, IHI, Partner, Imer, Clipper, MMD, Koshin, Rice, CH&E, General Equipment, Amida, Coleman, NAC, Gradall, Square Shooter, Kent, Stanley, Tamco, Toku, Hatz, Kohler, Robin, Wisconsin, Northrock, Oztec, Toker TK, Rol-Air, APT, Wylie, Ingersoll Rand / Doosan, Innovatech, Con X, Ammann, Mecalac, Makinex, Smith Surface Prep, Small Line, Wanco, Yanmar