



REVISED STARTING
SERIAL # 151010283

PARTS LIST MANUAL

MODEL SK14



14" DOWNCUT - CONCRETE AND ASPHALT WALK BEHIND SAWS

SKU #	MODEL #	POWER OPTION
45400D	SK14-9H	HONDA GASOLINE ENGINE MODEL GX270
45600D	SK14-11H	HONDA GASOLINE ENGINE MODEL GX340
48100D	SK14-13H	HONDA GASOLINE ENGINE MODEL GX390



A Division of Equipment Development Company, Inc.

PARTS FINDER

**Search Website
by Part Number**



**Search Manual
Library For Parts
Manual & Lookup Part
Numbers – Purchase
or Request Quote**

Search Manuals

Enter your information to help us find the right parts manual for your machine.

* Brand:

* Model:

* Serial:

* Part Number:

SEARCH

**Can't Find Part or
Manual? Request Help
by Manufacturer,
Model & Description**

Parts Order Form

Please fill in the following information to help us find the right part for your machine.

Manufacturer:	<input type="text"/>
Model:	<input type="text"/>
Description:	<input type="text"/>
Part Number:	<input type="text"/>
Quantity:	<input type="text"/>
Notes:	<input type="text"/>

Submit

Discount-Equipment.com is your online resource for quality parts & equipment.

Florida: **561-964-4949** Outside Florida TOLL FREE: **877-690-3101**

Need parts?

Click on this link: <http://www.discount-equipment.com/category/5443-parts/> and choose one of the options to help get the right parts and equipment you are looking for. Please have the machine model and serial number available in order to help us get you the correct parts. If you don't find the part on the website or on one of the online manuals, please fill out the request form and one of our experienced staff members will get back to you with a quote for the right part that your machine needs.

We sell worldwide for the brands: Genie, Terex, JLG, MultiQuip, Mikasa, Essick, Whiteman, Mayco, Toro Stone, Diamond Products, Generac Magnum, Airman, Haulotte, Barreto, Power Blanket, Nifty Lift, Atlas Copco, Chicago Pneumatic, Allmand, Miller Curber, Skyjack, Lull, Skytrak, Tsurumi, Husquvarna Target, Stow, Wacker, Sakai, Mi-T-M, Sullair, Basic, Dynapac, MBW, Weber, Bartell, Bennar Newman, Haulotte, Ditch Runner, Menegotti, Morrison, Contec, Buddy, Crown, Edco, Wyco, Bomag, Laymor, EZ Trench, Bil-Jax, F.S. Curtis, Gehl Pavers, Heli, Honda, ICS/PowerGrit, IHI, Partner, Imer, Clipper, MMD, Koshin, Rice, CH&E, General Equipment, Amida, Coleman, NAC, Gradall, Square Shooter, Kent, Stanley, Tamco, Toku, Hatz, Kohler, Robin, Wisconsin, Northrock, Oztec, Toker TK, Rol-Air, APT, Wylie, Ingersoll Rand / Doosan, Innovatech, Con X, Ammann, Mecalac, Makinex, Smith Surface Prep, Small Line, Wanco, Yanmar

READ AND UNDERSTAND THE OPERATORS INSTRUCTION MANUAL THOROUGHLY BEFORE ATTEMPTING TO OPERATE THIS EQUIPMENT.



Death or serious injury could occur if this machine is used improperly.



SAFETY MESSAGES

- Safety Instructions are preceded by a graphic alert symbol of DANGER, WARNING, or CAUTION.



Indicates an imminent hazard which, if not avoided, will result in death or serious injury.



Indicates an imminent hazard which, if not avoided, can result in death or serious injury.



Indicates hazards which, if not avoided, could result in serious injury and or damage to the equipment.

GASOLINE/PROPANE POWERED EQUIPMENT



- Engine exhaust from this product contains chemicals known to the State of California to cause cancer, birth defects or other reproductive harm.



- Gasoline is extremely flammable and poisonous. It should only be dispensed in well ventilated areas, and with a cool engine.

- Small gasoline engines produce high concentrations of carbon monoxide (CO) example: a 5 HP 4 cycle engine operation in an enclosed 100,000 cu. ft. area with only one change of air per hour is capable of providing deadly concentrations of CO in less than fifteen minutes. Five changes of air in the same area will produce noxious fumes in less than 30 minutes. Gasoline or propane powered equipment should not be used in enclosed or partially enclosed areas. Symptoms of CO poisoning include, headache, nausea, weakness, dizziness, visual problems and loss of consciousness. If symptoms occur - get into fresh air and seek medical attention immediately.

ELECTRICAL POWERED EQUIPMENT



Extreme care must be taken when operating electric models with water present: Ensure power cord is properly grounded, is attached to a Ground-Fault-Interrupter (GFI) outlet, and is undamaged.

- Check all electrical cables - be sure connections are tight and cable is continuous and in good condition. Be sure cable is correctly rated for both the operating current and voltage of this equipment.
- Improper connection of the equipment-grounding conductor can result in a risk of electric shock. Check with qualified electrician or service person if there is any doubt as to whether the outlet is properly grounded. Adhere to all local codes and ordinances.
- **NOTE:** In the event of a malfunction or breakdown, grounding provides a path of least resistance for the electric current to dissipate. The motor is equipped with a grounded plug and must be connected to an outlet that is properly installed and properly grounded. DO NOT modify the plug provided on the motor. If the plug does not fit the outlet have a qualified electrician install the proper receptacle.
- Switch motor OFF before disconnecting power.

- Do not disconnect power by pulling cord. To disconnect, grasp the plug, not the cord.
- Unplug power cord at the machine when not in use and before servicing.

GENERAL INSTRUCTIONS

- Equipment should only be operated by trained personnel in good physical condition and mental health (not fatigued). The operator and maintenance personnel must be physically able to handle the bulk weight and power of this equipment.
- This is a one person tool. Maintain a safe operating distance to other personnel. It is the **operators' responsibility** to keep other people (workers, pedestrians, bystanders, etc.) away during operation. Block off the work area in all directions with roping, safety netting, etc. for a safe distance. Failure to do so may result in others being injured by flying debris or exposing them to harmful dust and noise.
- This equipment is intended for commercial use only.
- For the operator's safety and the safety of others, always keep all guards in place during operation.
- Never let equipment run unattended.



- Personal Protection Equipment and proper safety attire must be worn when operating this machinery. The operator must wear approved safety equipment appropriate for the job such as hard hat and safety shoes when conditions require. Hearing protection **MUST** be used (operational noise levels of this equipment may exceed 85db). Eye protection **MUST** be worn at all times.



Keep body parts and loose clothing away from moving parts. Failure to do so could result in dismemberment or death.

- Do not modify the machine.
 - Stop motor/engine when adjusting or servicing this equipment.
- Maintain a safe operating distance from flammable materials. Sparks from the cutting-action of this machine can ignite flammable materials or vapors.

DUST WARNING



Some dust created by power sanding, sawing, grinding, drilling, and other construction activities contains chemicals known to cause cancer, birth defects, or other reproductive harm. Some examples of these chemicals are:

- Lead from lead-based paints, and
- Crystalline silica from bricks and concrete and other masonry products.

Your risk of exposure to these chemicals varies depending on how often you do this type of work. To reduce your risk: work in a well ventilated area, use a dust control system, such as an industrial-style vacuum, and wear approved personal safety equipment, such as a dust/particle respirator designed to filter out microscopic particles.

PARTS LIST MANUAL

MODEL SK14

14" DOWNCUT - WALK BEHIND SAW

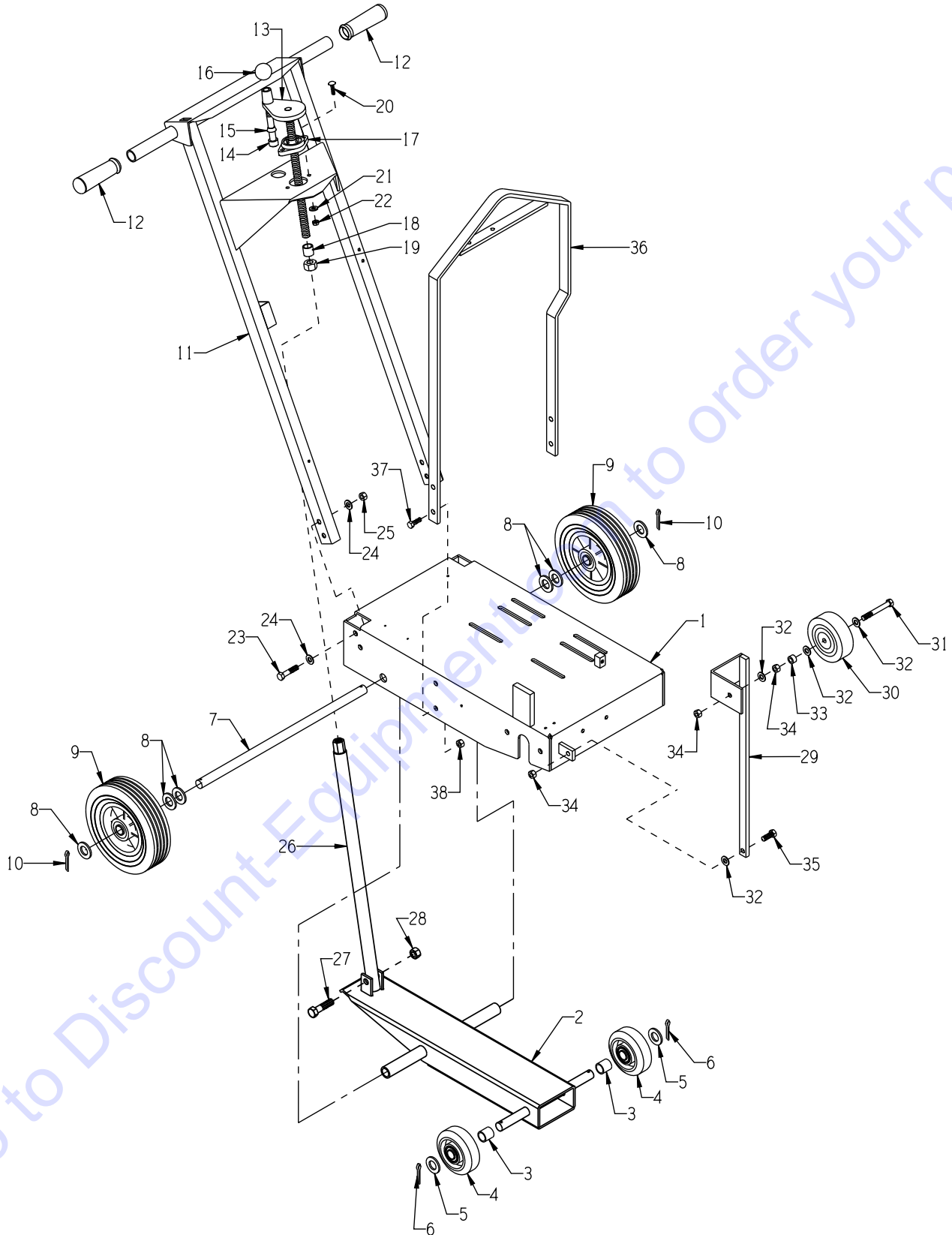
TABLE OF CONTENTS

<u>Section</u>	<u>Page Number</u>
Safety Messages and General Instructions	2
How To Order Replacement Parts	3
Illustration 1: Main Grouping	4, 5
Illustration 2: Arbor & Blade Guard Grouping	6, 7
Illustration 3: Water Tank Assembly (Optional)	8, 9
Illustration 4: Engine & Belt Drive Grouping	10, 11
Wiring Diagram for Honda Engine	12
Decals	13
Notes	14
Limited Equipment Warranty of Sale - Terms & Conditions	16 (Back Page)



A Division of Equipment Development Company, Inc.

ILLUSTRATION 1: MAIN GROUPING

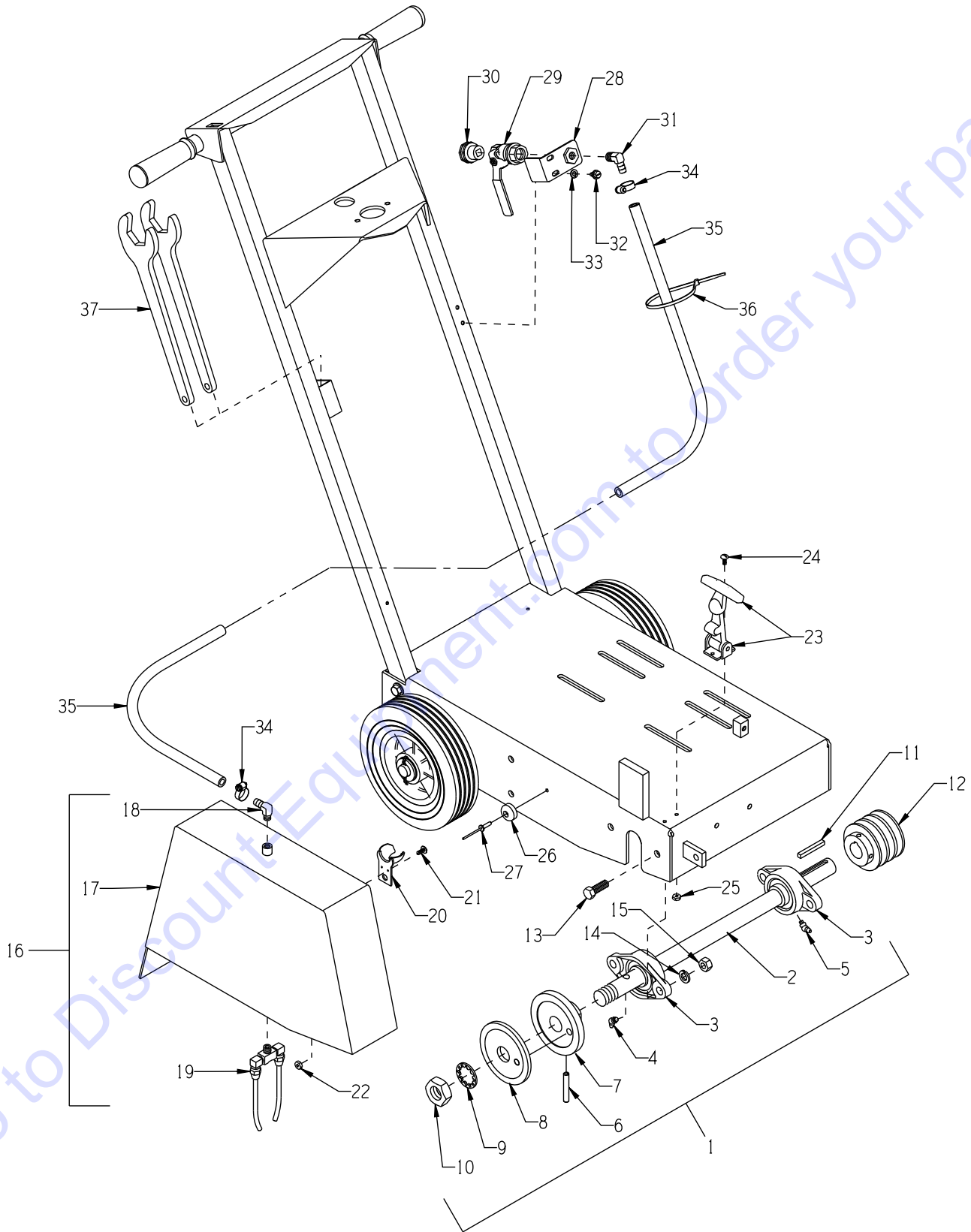


PARTS LISTING - ILLUSTRATION 1: MAIN GROUPING

ITEM #	PART #	DESCRIPTION	QTY.
1	52070	MAIN FRAME, SK-14	1
2	52066	FORK, SK-14	1
3	52010	SPACER, FRONT WHEEL 3/4ID X 15/16	2
4	52001	WHEEL 4 X 1-1/2 X 3/4"BRG. ALUM/RUB	2
5	10009 11597	WASHER, FLAT 3/4 SAE ZINC WASHER .755"ID X 1.25"OD X .060"THK (USE AS NEEDED)	2 2
6	10306	PIN, COTTER 3/16 X 1-1/2	2
7	52062	AXLE SHAFT 3/4"DIA. X 19-1/4"L	1
8	10009	WASHER, FLAT 3/4 SAE ZINC	6
9	79013	WHEEL, 8 X 2-1/2 X 3/4"BRG.POLY HUB	2
10	10306	PIN, COTTER 3/16 X 1-1/2	2
11	52021	HANDLE BAR, SK-14	1
12	10608	GRIP, HAND 1" MODEL AT	2
13	80008	HANDWHEEL, SMALL W/ 5/8-11 X 12"ROD	1
14	10411	SCREW, SKT. HD. CAP 1/2-13 X 4 ZINC	1
15	50550	SLEEVE, BRASS 1/2" TAPERED	1
16	14023	KNOB, BALL 1-3/8 W/ 1/2-13THD, BLK.	1
17	80009	BEARING, BALL 5/8" 2-HOLE (NO G.F.)	1
18	55010	SPACER, HANDWHEEL 5/8"ID X 3/4"L	1
19	10046	NUT, HEX 5/8-11 ZINC	1
20	10412	BOLT, CARRIAGE 1/4-20 X 1 FULL THD.	2
21	10602	WASHER, FLAT 1/4 SAE ZINC	2
22	10861	NUT, KEPS LOCK 1/4-20 ZINC	2
23	10029	SCREW, CAP 3/8-24 X 1-3/4	4
24	10025	WASHER, FLAT 3/8 SAE ZINC	8
25	10004	NUT, HEX LOCK 3/8-24 ZINC	4
26	52065	LINKAGE, CUT CONTROL, SK-14	1
27	10322	SCREW, CAP 1/2-20 X 2	1
28	10205	NUT, HEX LOCK 1/2-20 ZINC	1
29	52007	GUIDE BAR, SK-14 DOWN-CUT	1
30	50024	WHEEL 4 X 1-3/8 X 3/8"BORE	1
31	10885	SCREW, CAP 3/8-24 X 3	1
32	10025	WASHER, FLAT 3/8 SAE ZINC	4
33	10011	SPACER, STEEL 5/8OD X 3/8ID X 3/8T	1
34	10004	NUT, HEX LOCK 3/8-24 ZINC	2
35	10021	SCREW, CAP 3/8-24 X 1	1
36	52073	BAIL, LIFTING, SK-14	1
37	10021	SCREW, CAP 3/8-24 X 1	4
38	10004	NUT, HEX LOCK 3/8-24 ZINC	4



ILLUSTRATION 2: ARBOR & BLADE GUARD GROUPING



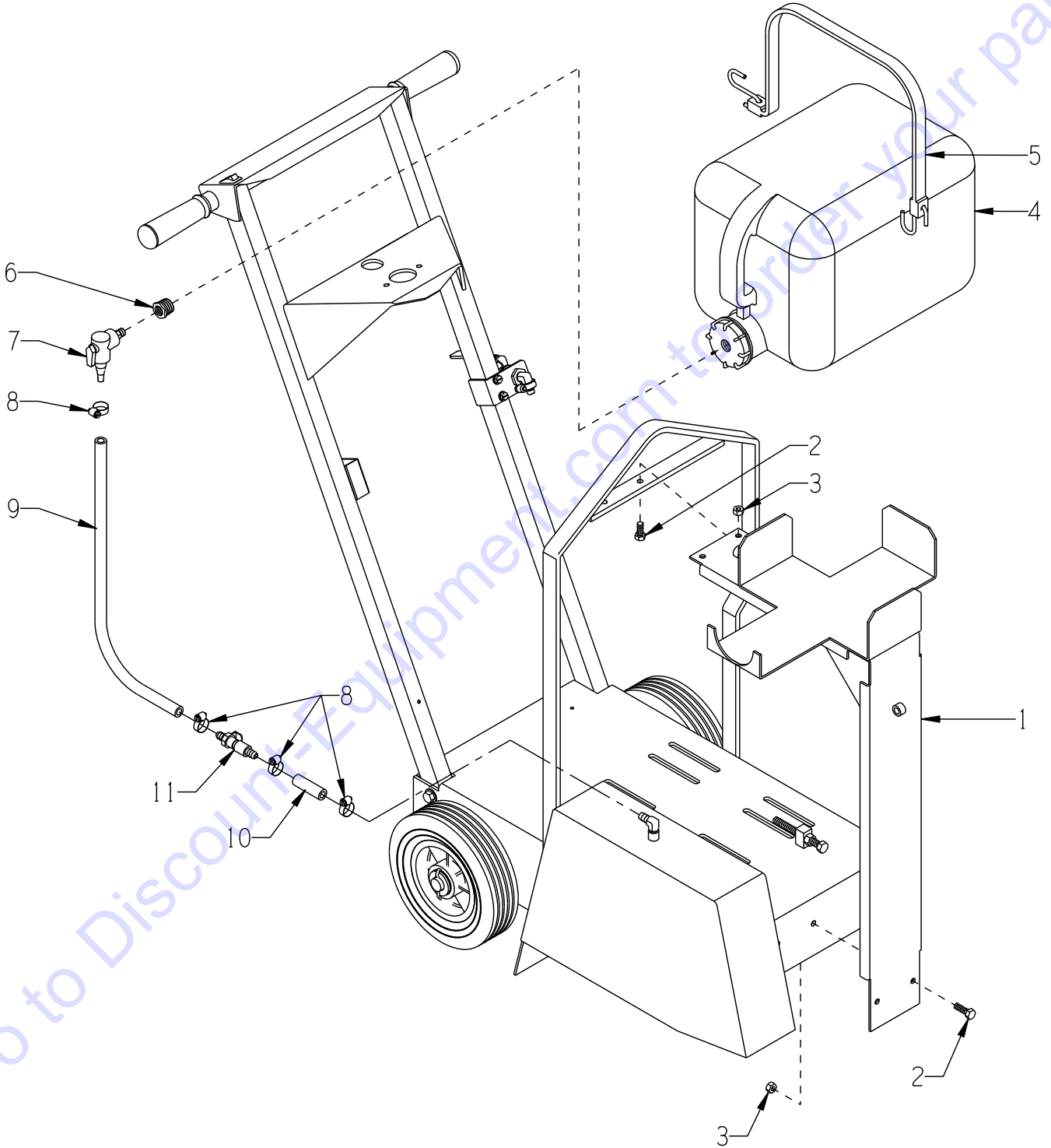
PARTS LISTING - ILLUSTRATION 2: ARBOR & BLADE GUARD GROUPING			
ITEM #	PART #	DESCRIPTION	QTY.
1	69050A	ARBOR ASSY. COMPLETE (INCLUDES ITEMS 2 THRU 10)	1
2	69050	ARBOR SHAFT 19-1/4"L, SK-14	1
3	62022	BEARING, BALL 1" 2-HOLE FLANGE	2
4	10961	FITTING, GREASE 1/4-28 X 90°	1
5	10960	FITTING, GREASE 1/4-28 X 45°	1
6	10211	PIN, ROLL 5/16 X 2	1
7	56026	ARBOR BACKING PLATE 4"	1
8	56025	ARBOR BLADE CAP 4"OD W/1"HOLE	1
9	55009	WASHER, LOCK, INT. TOOTH 1"	1
10	50019	NUT, HEX JAM 1-14 ZINC GRADE A	1
11	10115	KEY 1/4SQ X 2	1
12	80027	SHEAVE 3"OD X 3GR.A X 1"BORE	1
13	10003	SCREW, CAP 7/16-20 X 1-1/4 ZINC	4
14	10450	WASHER, LOCK 7/16 ZINC	4
15	10481	NUT, HEX 7/16-20 ZINC	4
16	52005A	GUARD, BLADE, ASSY. COMPLETE, SK-14 (INCLUDES ITEMS 17 THRU 22)	1
17	52005	GUARD, BLADE 14", SK-14 DOWN-CUT	1
18	11562	BARB ELBOW 90, 3/8HOSE X 1/8MPT	1
19	81004	NOZZLE, COOLANT 1/8MPT W/ 4"TUBES	1
20	52002K	LATCH KEEPER BRKT., EXT.LG. STYLE S	1
21	10830	SCREW, MACHINE SHWH 10-32 X 1/2	2
22	10832	NUT, KEPS LOCK 10-32 ZINC	2
23	52002	LATCH, FLEXIBLE DRAW W/ T-HANDLE (INCLUDES LATCH KEEPER BRKT., ITEM 20)	1
24	10830	SCREW, MACHINE SHWH 10-32 X 1/2	2
25	10832	NUT, KEPS LOCK 10-32 ZINC	2
26	52022	BUMPER, RUBBER 1OD X 3/16ID X 7/16H	1
27	52023	RIVET, BLIND 3/16 X .7"L X .375HD	1
28	56022	BRACKET, WATER VALVE	1
29	10711	VALVE, BALL 1/2 FPT	1
30	80021	CONN., SWIVEL FEM. 3/4HOSE X 1/2MPT	1
31	10799	BARB ELBOW 90, 3/8HOSE X 1/4MPT	1
32	10846	SCREW, CAP STSHW 1/4-20 X 1/2	2
33	10038	WASHER, LOCK 1/4 ZINC	2
34	50069	CLAMP, HOSE, SAE #6, ADJ. TO 13/16	2
35	56023	HOSE, WATER 3/8"ID X 43"L	1
36	10982	TIE, CABLE, BLACK NYLON 11-1/4"	2
37	50445	WRENCH, ARBOR, 1-1/2" OPEN END	2



A Division of Equipment Development Company, Inc.

ILLUSTRATION 3: WATER TANK ASSEMBLY

**OPTIONAL
PART # 52075**



PARTS LISTING - ILLUSTRATION 3: WATER TANK ASSEMBLY			
OPTIONAL - PART # 52075			
ITEM #	PART #	DESCRIPTION	QTY.
1	52074	MOUNT ONLY, WATER TANK, SK-14	1
2	10053	SCREW, CAP 5/16-18 X 3/4	4
3	10807	NUT, HEX LOCK 5/16-18 ZINC	4
4	52031	DRUM, PLASTIC 5 GALLON, 3/4NPT CAP	1
5	52035	TIE-DOWN STRAP, MOLDED RUBBER 24"	2
6	52034	BUSHING, HEX 3/4 X 1/4 NPT NYLON	1
7	56312	VALVE, BALL PVC 90°A 1/4MPT X BARB	1
8	50069	CLAMP, HOSE, SAE #6, ADJ. TO 13/16	4
9	52077	HOSE, WATER 3/8"ID X 10"L	1
10	56316	HOSE, WATER 3/8"ID X 2"L	1
11	11637	COUPLING, QUICK-DISCONNECT 3/8" SPL	1



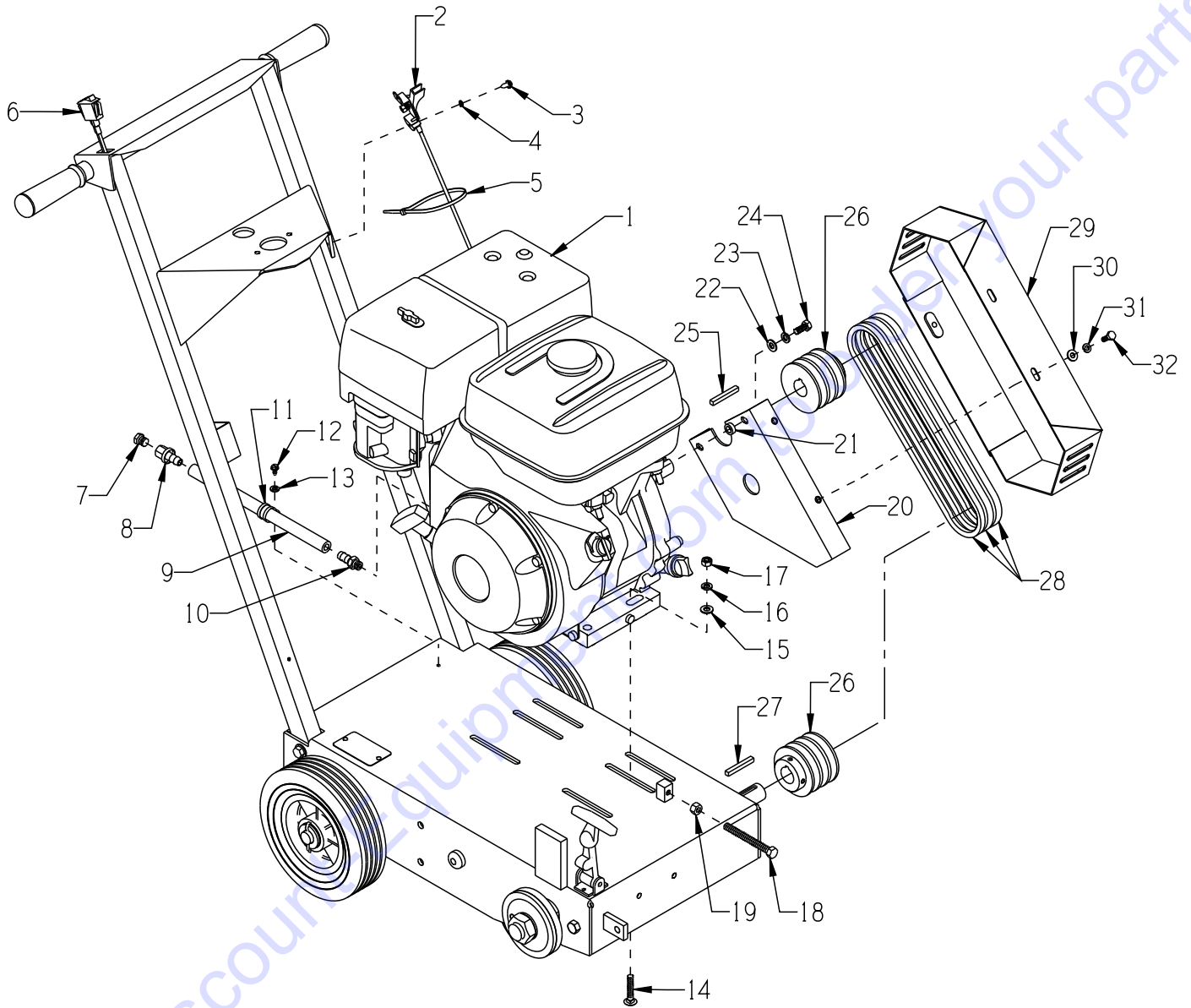
A Division of Equipment Development Company, Inc.

Printed in USA

JWA ©2012

Page 9

ILLUSTRATION 4: ENGINE & BELT DRIVE GROUPING



PARTS LISTING			
ITEM #	PART #	DESCRIPTION	QTY.
1	15027	ENGINE WITH CYCLONE AIR CLEANER ...	1
	79045	HONDA GX270UT2-QXC9	
	15029	HONDA GX340UT2-QXC9	
		HONDA GX390UT2-QXC9	
PARTS LISTING CONTINUED ON THE NEXT PAGE			

PARTS LISTING CONTINUED - ILLUSTRATION 4: ENGINE & BELT DRIVE GROUPING			
ITEM #	PART #	DESCRIPTION	QTY.
2	40388	CABLE, THROTTLE, LEVER-TYPE 24"	1
3	10877	SCREW, CAP STSHW 10-24 X 1/2	2
4	10831	WASHER, LOCK, INT. TOOTH #10	2
5	10982	TIE, CABLE, BLACK NYLON 11-1/4"	1
6	15201A	SWITCH W/ WIRES, ROCKER RED ON-OFF ADDITIONAL PARTS REQ'D. (NOT SHOWN):	1
	50084	TERM., RING #10 16-14GA. INSULATED	1
	10877	SCREW, CAP STSHW 10-24 X 1/2	1
	10831	WASHER, LOCK, INT. TOOTH #10	1
	10970	CONN., WIRE QUICK-SPLICE 18-14 GA.	1
	36042	CLIP, NATURAL CORD, 1/8" X 1/4"	2
7	10776	PIPE PLUG 1/4 NPT (BRASS)	1
8	11544	BARB, PUSH-ON 3/8 HOSE X 1/4FPT	1
9	52063	HOSE, PUSH-ON 3/8"ID X 10-1/2"L	1
10	11542	BARB, PUSH-ON 3/8HOSE X M12-1.5MALE	1
11	11565	CLAMP, LOOM, 5/8" (SAE SIZE 10)	1
12	10846	SCREW, CAP STSHW 1/4-20 X 1/2	1
13	10038	WASHER, LOCK 1/4 ZINC	1
14	10918	BOLT, CARRIAGE 5/16-18 X 1-3/4 F.T.	4
15	10213	WASHER, FLAT 5/16 SAE ZINC	4
	10025	WASHER, FLAT 3/8 SAE ZINC	2
16	10801	WASHER, LOCK 5/16 ZINC	4
17	10054	NUT, HEX 5/16-18 ZINC	4
18	52015	BOLT, TAP 3/8-16 X 3-1/2(FULL THD.)	1
19	10404	NUT, HEX 3/8-16 ZINC	1
20	52072	BRACKET, BELT COVER, SK-14	1
21	10113	SPACER, STEEL 9/16OD X 3/8ID X 7/32 (HONDA GX340 & GX390)	2
	10011	SPACER, STEEL 5/8OD X 3/8ID X 3/8 (HONDA GX270)	4
22	10213	WASHER, FLAT 5/16 SAE ZINC	2
23	10801	WASHER, LOCK 5/16 ZINC	2
24	10048	SCREW, CAP 5/16-24 X 3/4 (HONDA GX340 & GX390)	2
	11691	SCREW, CAP 5/16-24 X 1-1/2 (HONDA GX270)	2
25	10307	KEY 1/4SQ X 2-1/4	1
26	80027	SHEAVE 3"OD X 3GR.A X 1"BORE	2
27	10115	KEY 1/4SQ X 2	1
28	10253	BELT AX-27 (GATES TRI-POWER 1/2" x 29")	3
29	52071	COVER, BELT, SK-14	1
30	10602	WASHER, FLAT 1/4 SAE ZINC	3
31	10038	WASHER, LOCK 1/4 ZINC	3
32	10018	SCREW, CAP 1/4-20 X 3/4	3



A Division of Equipment Development Company, Inc.

Printed in USA

JWA ©2012

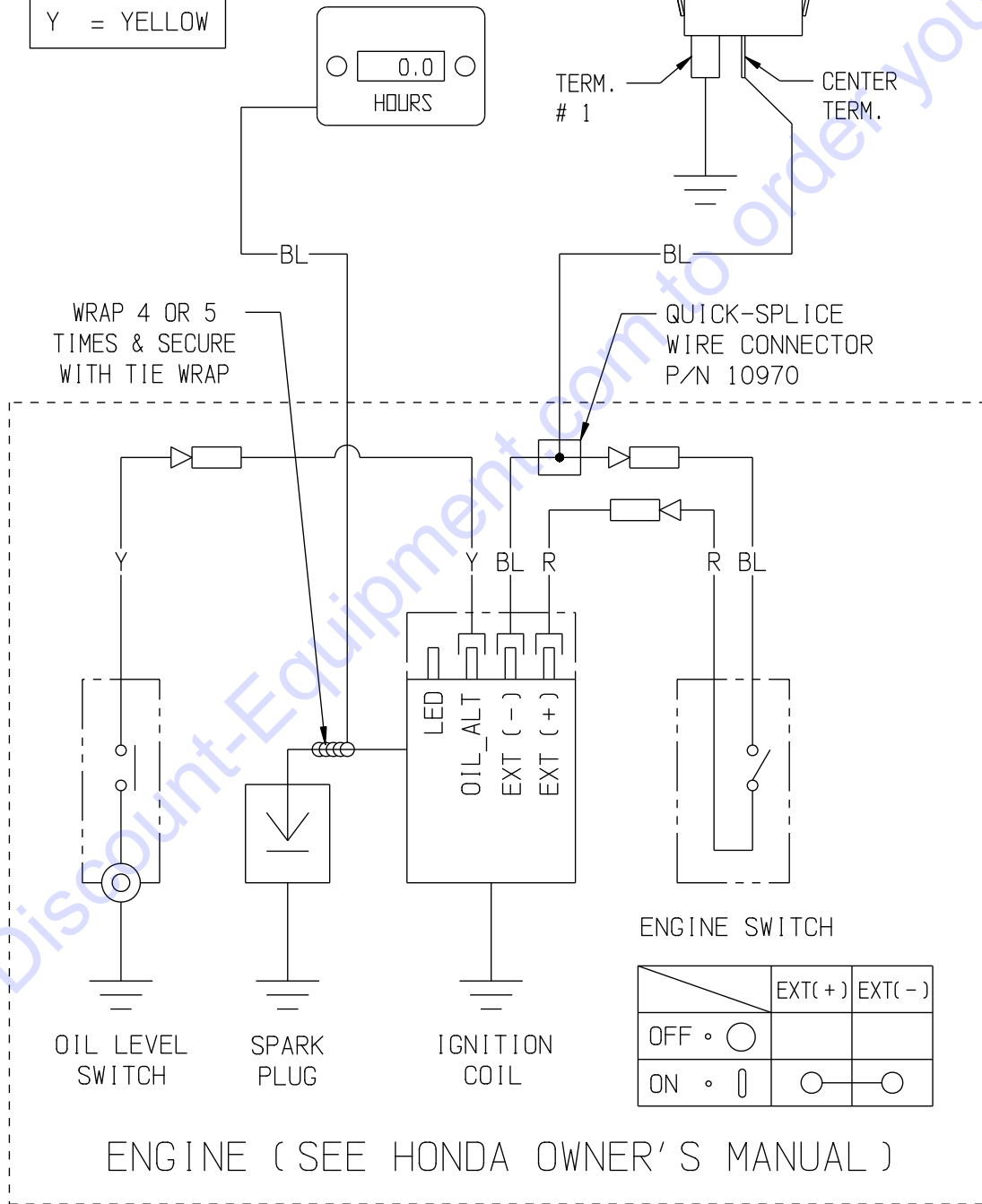
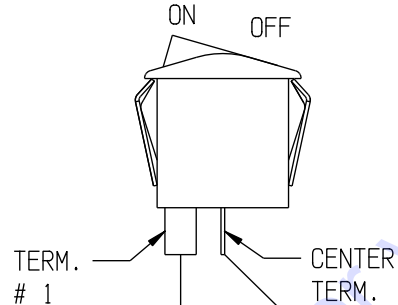
Page 11

WIRING DIAGRAM FOR HONDA ENGINE

ON-OFF ROCKER SWITCH
 P/N 15201A
 (LOCATED ON HANDLE)

WIRE COLORS
 BL = BLACK
 R = RED
 Y = YELLOW

HOUR METER
 P/N 15138
 (OPTIONAL)



	EXT(+)	EXT(-)
OFF • ○		
ON •	○	○

PARTS FINDER

**Search Website
by Part Number**



**Search Manual
Library For Parts
Manual & Lookup Part
Numbers – Purchase
or Request Quote**

Search Manuals

Enter your information to help us find the right parts manual for your machine.

* Brand:

* Model:

* Serial:

* Part Number:

SEARCH

**Can't Find Part or
Manual? Request Help
by Manufacturer,
Model & Description**

Parts Order Form

Please fill in the following information to help us find the right part for your machine.

Manufacturer:	<input type="text"/>
Model:	<input type="text"/>
Description:	<input type="text"/>
Part Number:	<input type="text"/>
Quantity:	<input type="text"/>
Notes:	<input type="text"/>

Discount-Equipment.com is your online resource for quality parts & equipment.

Florida: **561-964-4949** Outside Florida TOLL FREE: **877-690-3101**

Need parts?

Click on this link: <http://www.discount-equipment.com/category/5443-parts/> and choose one of the options to help get the right parts and equipment you are looking for. Please have the machine model and serial number available in order to help us get you the correct parts. If you don't find the part on the website or on one of the online manuals, please fill out the request form and one of our experienced staff members will get back to you with a quote for the right part that your machine needs.

We sell worldwide for the brands: Genie, Terex, JLG, MultiQuip, Mikasa, Essick, Whiteman, Mayco, Toro Stone, Diamond Products, Generac Magnum, Airman, Haulotte, Barreto, Power Blanket, Nifty Lift, Atlas Copco, Chicago Pneumatic, Allmand, Miller Curber, Skyjack, Lull, Skytrak, Tsurumi, Husquvarna Target, Stow, Wacker, Sakai, Mi-T-M, Sullair, Basic, Dynapac, MBW, Weber, Bartell, Bennar Newman, Haulotte, Ditch Runner, Menegotti, Morrison, Contec, Buddy, Crown, Edco, Wyco, Bomag, Laymor, EZ Trench, Bil-Jax, F.S. Curtis, Gehl Pavers, Heli, Honda, ICS/PowerGrit, IHI, Partner, Imer, Clipper, MMD, Koshin, Rice, CH&E, General Equipment, Amida, Coleman, NAC, Gradall, Square Shooter, Kent, Stanley, Tamco, Toku, Hatz, Kohler, Robin, Wisconsin, Northrock, Oztec, Toker TK, Rol-Air, APT, Wylie, Ingersoll Rand / Doosan, Innovatech, Con X, Ammann, Mecalac, Makinex, Smith Surface Prep, Small Line, Wanco, Yanmar