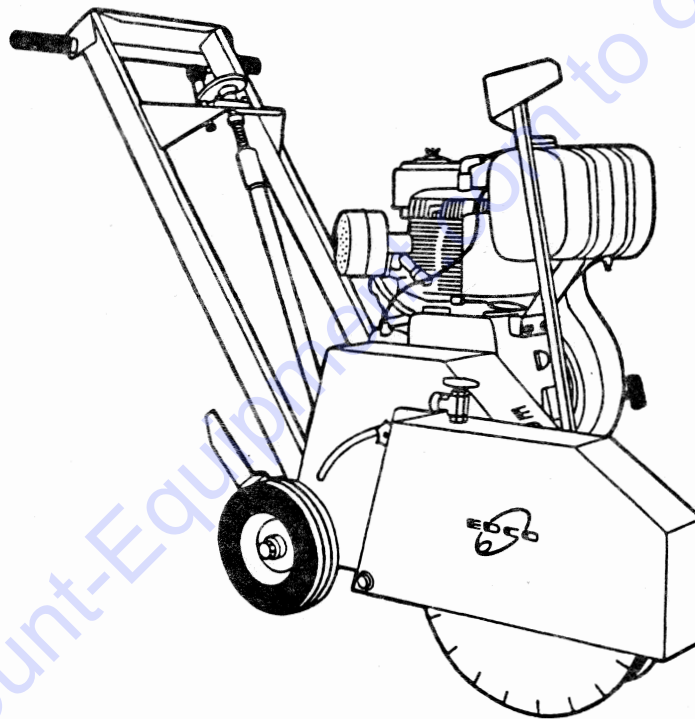


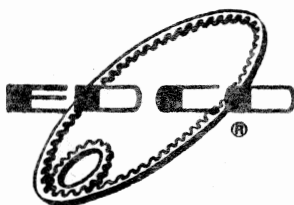


CONCRETE/ASPHALT SAW

INSTRUCTIONS AND PARTS MANUAL



Model SB-14



USA



PARTS FINDER

**Search Website
by Part Number**



**Search Manual
Library For Parts
Manual & Lookup Part
Numbers – Purchase
or Request Quote**

Search Manuals

Enter your information to help us find the right parts manual for your machine.

* Brand:

* Model:

* Serial:

* Part Number:

SEARCH

**Can't Find Part or
Manual? Request Help
by Manufacturer,
Model & Description**

Parts Order Form

Please fill in the following information to help us find the right part for your machine.

Manufacturer:	<input type="text"/>
Model:	<input type="text"/>
Description:	<input type="text"/>
Part Number:	<input type="text"/>
Quantity:	<input type="text"/>
Notes:	<input type="text"/>

Submit

Discount-Equipment.com is your online resource for quality parts & equipment.

Florida: **561-964-4949** Outside Florida TOLL FREE: **877-690-3101**

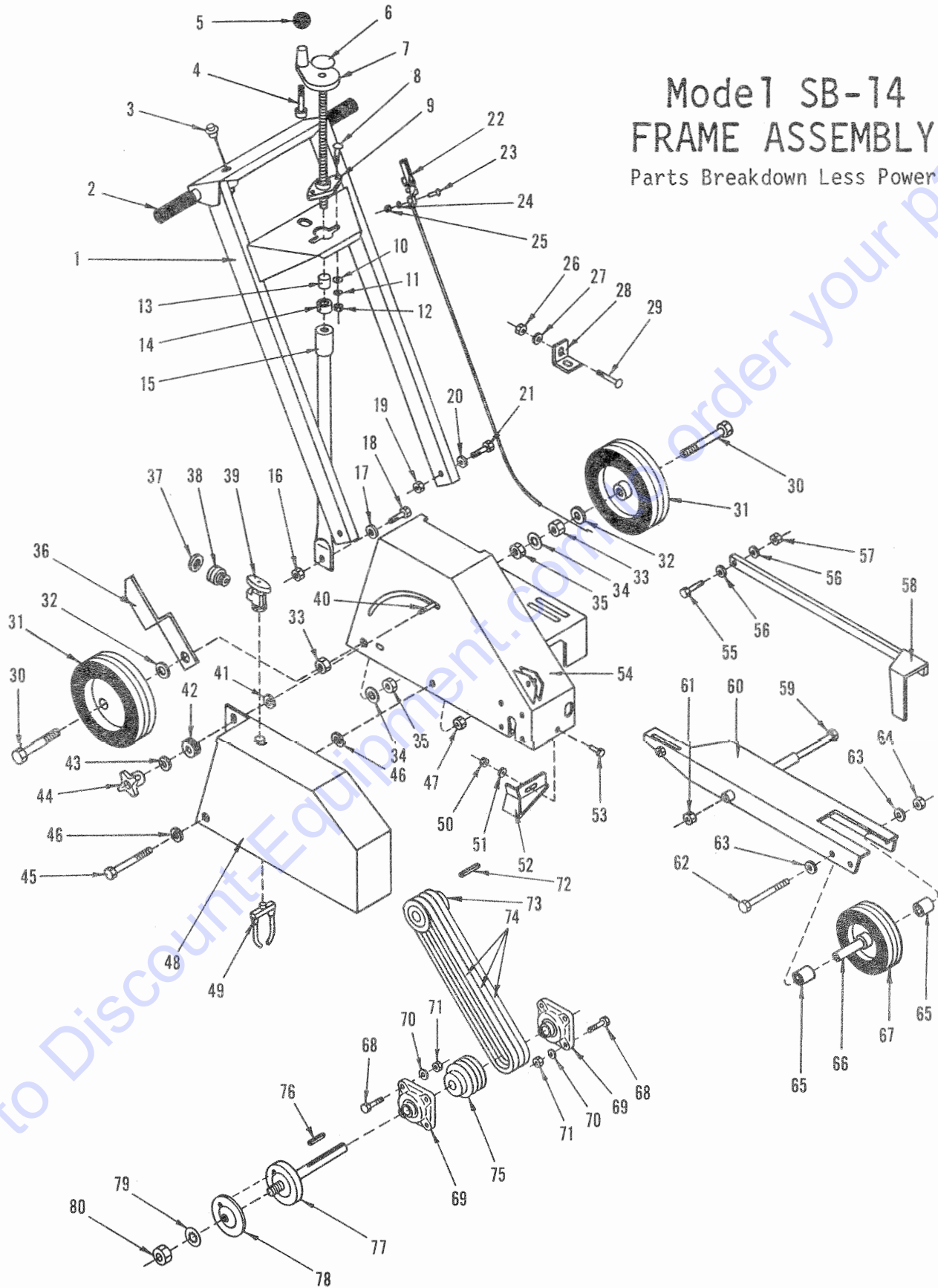
Need parts?

Click on this link: <http://www.discount-equipment.com/category/5443-parts/> and choose one of the options to help get the right parts and equipment you are looking for. Please have the machine model and serial number available in order to help us get you the correct parts. If you don't find the part on the website or on one of the online manuals, please fill out the request form and one of our experienced staff members will get back to you with a quote for the right part that your machine needs.

We sell worldwide for the brands: Genie, Terex, JLG, MultiQuip, Mikasa, Essick, Whiteman, Mayco, Toro Stone, Diamond Products, Generac Magnum, Airman, Haulotte, Barreto, Power Blanket, Nifty Lift, Atlas Copco, Chicago Pneumatic, Allmand, Miller Curber, Skyjack, Lull, Skytrak, Tsurumi, Husquvarna Target, Stow, Wacker, Sakai, Mi-T-M, Sullair, Basic, Dynapac, MBW, Weber, Bartell, Bennar Newman, Haulotte, Ditch Runner, Menegotti, Morrison, Contec, Buddy, Crown, Edco, Wyco, Bomag, Laymor, EZ Trench, Bil-Jax, F.S. Curtis, Gehl Pavers, Heli, Honda, ICS/PowerGrit, IHI, Partner, Imer, Clipper, MMD, Koshin, Rice, CH&E, General Equipment, Amida, Coleman, NAC, Gradall, Square Shooter, Kent, Stanley, Tamco, Toku, Hatz, Kohler, Robin, Wisconsin, Northrock, Oztec, Toker TK, Rol-Air, APT, Wylie, Ingersoll Rand / Doosan, Innovatech, Con X, Ammann, Mecalac, Makinex, Smith Surface Prep, Small Line, Wanco, Yanmar

Model SB-14 FRAME ASSEMBLY

Parts Breakdown Less Power



FRAME ASSEMBLY LESS POWER OPTION

Item #	Part #	Qty.	Description	Item #	Part #	Qty.	Description
1.	81024	1	Handle Bar	42.	10034	1	Rubber Bushing 3/8
2.	61108	2	Hand Grip	43.	10025	1	Flatwasher 3/8
3.	50010	1	Stop Button Switch(Gas Unit)	44.	80011	1	Star Knob 3/8-16
4.	81001	1	Capscrew 1/2-13 x 4	45.	10913	1	Capscrew 1/2-20 x 5
5.	14023	1	Ball Knob	46.	10312	2	Flatwasher 1/2
6.	80007	1	Decal, "Cut Control"	47.	10205	1	Locknut 1/2-20
7.	81023	1	Handwheel W/ 5/8-8 x 12	48.	80004	1	Blade Guard
8.	10412	2	Carr. Bolt 1/4-20 x 1	49.	81004	1	Nozzle, Coolant
9.	80009	1	Bearing 5/8	50.	10015	1	Locknut 1/4-20
10.	10602	2	Flatwasher 1/4	51.	10602	1	Flatwasher 1/4
11.	10038	2	Lockwasher 1/4	52.	80037	1	Retainer, Blade Guard
12.	10013	2	Nut 1/4-20	53.	10018	1	Capscrew 1/4-20 x 3/4
13.	55010	1	Spacer 5/8ID x 3/4	54.	80002	1	Main Frame
14.	10096	1	Locking Collar 5/8	55.	10309	1	Capscrew 3/8-24 x 1 1/4
15.	81025	1	Linkage, Cut Control	56.	10025	2	Flatwasher 3/8
16.	10205	1	Locknut 1/2-20	57.	10004	1	Locknut 3/8-24
17.	10312	1	Flatwasher 1/2	58.	81009	1	Guide Bar
18.	10308	1	Capscrew 1/2-20 x 1 1/2	59.	10408	1	Capscrew 1/2-13 x 9
19.	10004	2	Locknut 3/8-24	60.	80018	1	Fork Assembly
20.	10025	2	Flatwasher 3/8	61.	10407	1	Locknut 1/2-13
21.	10029	2	Capscrew 3/8-24 x 1 3/4	62.	10913	1	Capscrew 1/2-20 x 5
22.	3611	1	Throttle Cable (Gas Unit)	63.	10312	2	Flatwasher 1/2
23.	10830	2	Mach. Screw 10-32 x 1/2	64.	10205	1	Lockwasher 1/2-20
24.	10831	2	Int. Tooth Washer #10	65.	80022	2	Spacer, Axle 3/4ID x 13/16
25.	10832	2	Nut 10-32	66.	80023	1	Axle Tube 3/4OD x 3 7/8
26.	10404	1	Nut 3/8-16	67.	80028	1	Wheel 6 x 2 x 3/4Brg.
27.	10025	1	Flatwasher 3/8	68.	10021	8	Capscrew 3/8-24 x 1
28.	81002	1	Tensioner Bracket	69.	77009	2	Bearing 3/4
29.	10908	1	Carr. Bolt 3/8-16 x 2 1/2	70.	10811	8	Lockwasher 3/8
	10909	1	Carr. Bolt 3/8-16 x 3	71.	10014	8	Nut 3/8-24
30.	10406	2	Capscrew 3/4-16 x 4	72.	10017	1	Key 1/4Sq. x 2 3/8
31.	79013	2	Wheel 8 x 2 1/2 x 3/4Brg.	73.	80027	1	Sheave 3"OD x 3Gr.A x 1"Bore
32.	10009	2	Flatwasher 3/4		81006	1	Sheave 3"OD x 3Gr.A x 1 1/8Bore.
33.	10405	2	Nut 3/4-16	74.	81007	3	Belt AX-33 Note: See Serial
34.	10609	2	Int. tooth Washer 3/4		10233	3	Belt AX-34 Number Plate
35.	10429	2	Jam Nut 3/4-16	75.	81011	1	Sheave 3"OD x 3Gr.A x 3/4Bore
36.	81003	1	Guide Fin, Rear	76.	10020	1	Key 3/16Sq. x 1 7/8
37.	10070	1	Hose Washer 3/4	77.	81008	1	Arbor Hub & Shaft
38.	80021	1	Hose Connector	78.	80005	1	Blade Retaining Cap
39.	80003	1	Valve, Coolant	79.	10609	1	Int. Tooth Washer 3/4
40.	10087	1	Carr. Bolt 3/8-16 x 1 3/4	80.	10403	1	Jam Nut 3/4-10
41.	10312	1	Flatwasher 1/2				

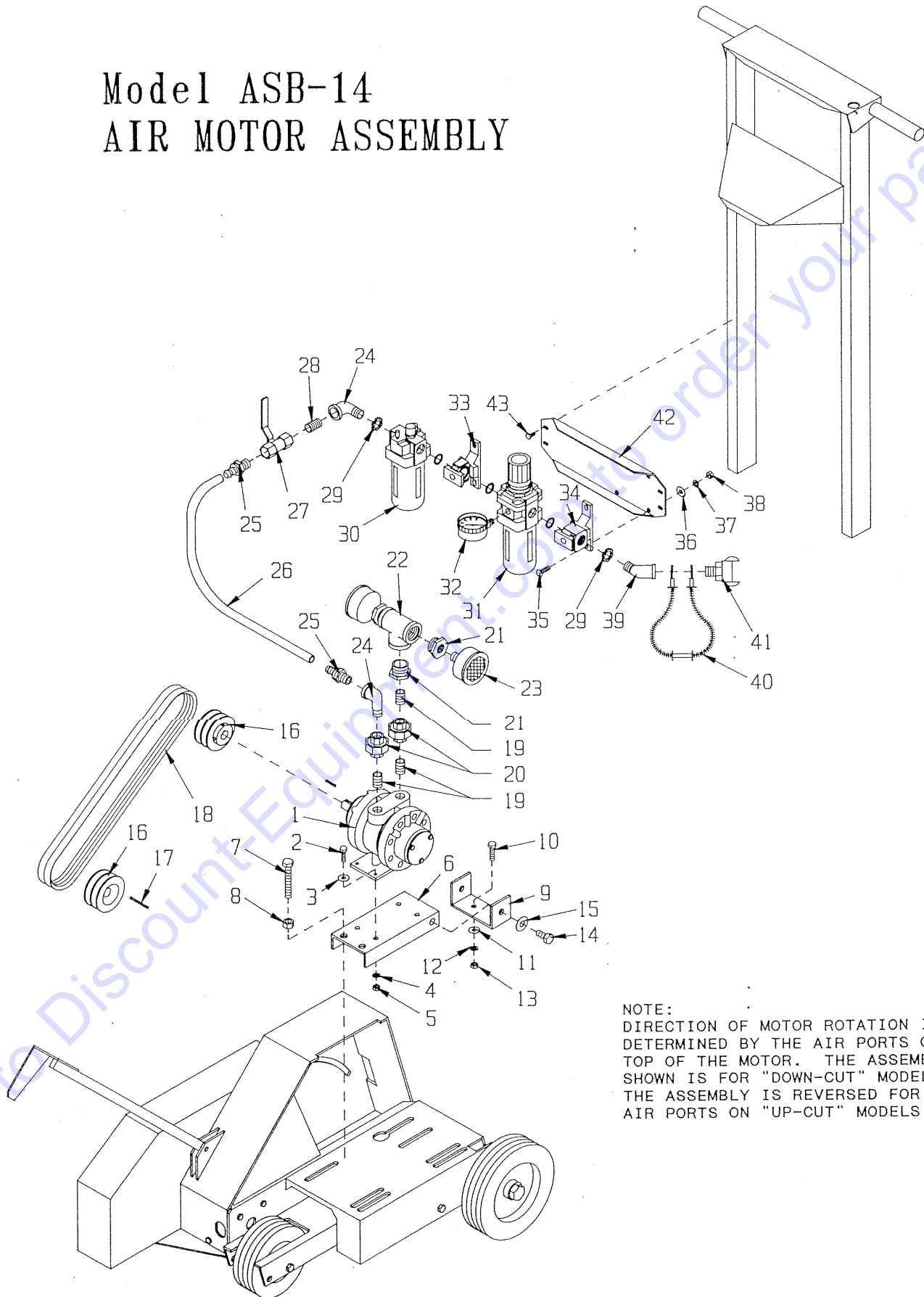
PLEASE NOTE:

EDCO RESERVES THE RIGHT TO MAKE IMPROVEMENTS OR CHANGES ON THE EQUIPMENT SHOWN. THE DIAGRAMS SHOWN MAY BE DIFFERENT THAN THE ACTUAL MACHINE.

IMPORTANT!!!

WHEN ORDERING PARTS, PLEASE SPECIFY THE MODEL AND SERIAL NUMBER OF THE MACHINE AS GIVEN ON THE NAME PLATE AND GIVE PART NUMBER, QUANTITY, AND DESCRIPTION AS LISTED ON THE PARTS LIST.

Model ASB-14 AIR MOTOR ASSEMBLY

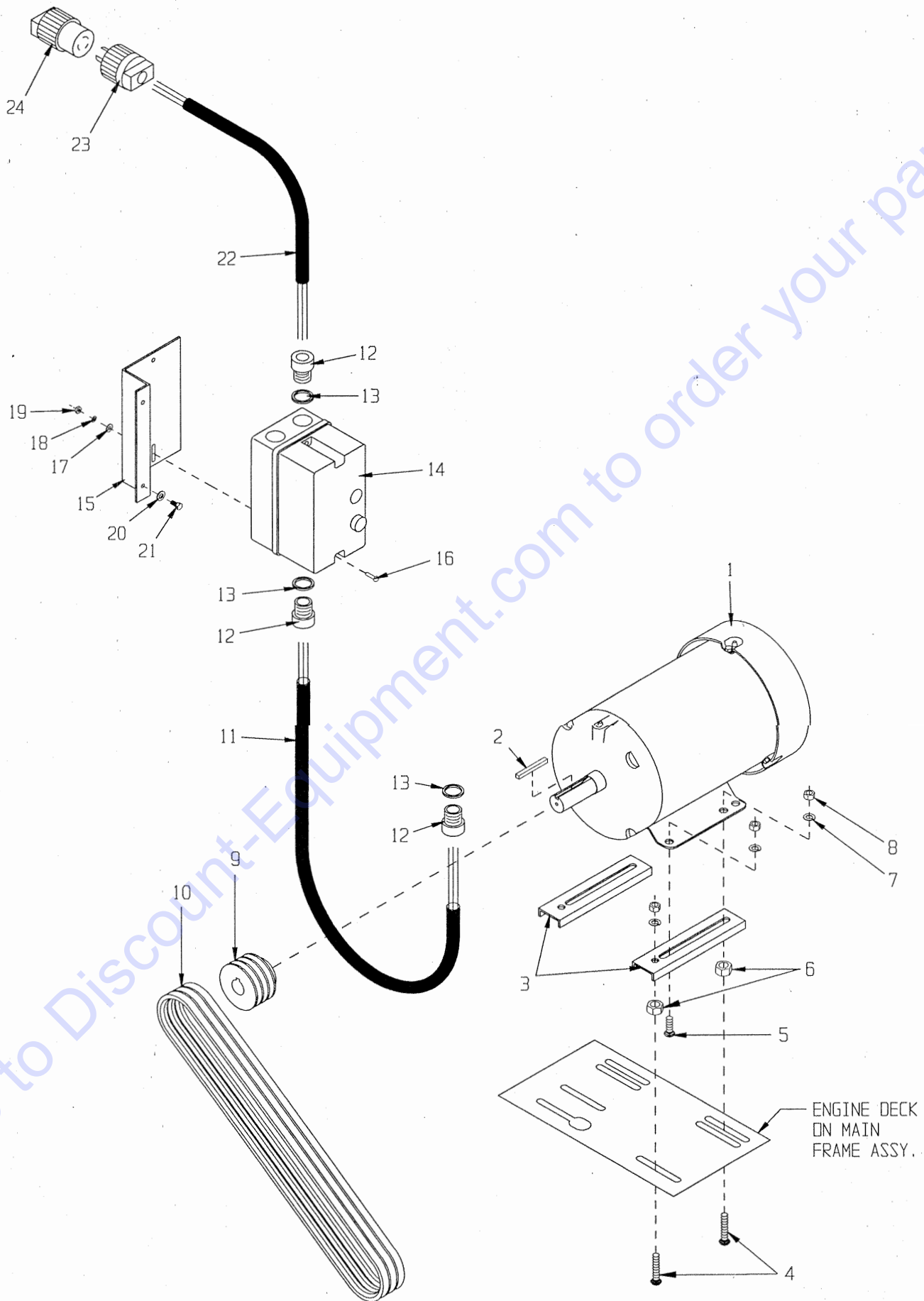


PARTS LISTING FOR MODEL ASB-14 AIR MOTOR ASSEMBLY			
Item #	Part #	Description	Qty.
1	80050	Motor, Air, 5 HP	1
2	10606	Screw, Cap 5/16-18 x 1-1/4	4
3	10213	Washer, Flat 5/16	4
4	10801	Washer, Lock 5/16	4
5	10054	Nut 5/16-18	4
6	80065	Mount, Air Motor	1
7	10340	Bolt, Tap 1/2-13 x 3 (Full Thread)	2
8	10417	Nut 1/2-13	2
9	80066	Bracket, Motor Mount	1
10	10309	Screw, Cap 3/8-24 x 1-1/4	2
11	10025	Washer, Flat 3/8	2
12	10811	Washer, Lock 3/8	2
13	10014	Nut 3/8-24	2
14	10914	Screw, Cap 1/2-13 x 1	2
15	10312	Washer, Flat 1/2	2
16	80016	Sheave 3"OD x 2Gr.B x 3/4"Bore	2
17	10020	Key 3/16"Sq. x 1-7/8	1
18	10251	Belt BP-34	2
19	80059	Pipe Nipple, Close 1/2 NPT (Galv.)	3
20	80060	Pipe Union 1/2 NPT (Galv.)	2
21	80057	Bushing, Hex 1 x 1/2 NPT (Galv.)	3
22	80056	Pipe Tee, Female 1"NPT (Galv.)	1
23	80055	Muffler, 1/2 NPT	2
24	10724	Elbow, Street 1/2 NPT x 90°(Black)	2
25	80061	Barb, Push-On 1/2 Hose x 1/2 MPT	2
26	80063	Hose, Push-On 1/2"ID x 17"LG	1
27	10711	Valve, Ball 1/2 FPT	1
28	10796	Pipe Nipple 1/2NPT x 1-1/2"(Black)	1
29	10790	Conduit Lock Nut 1/2 NP	2
30	80071	Lubricator, 1/2 NPT NAL4000-N04	1
31	80070	Filter/Regulator 1/2 NPT NAW4000-N04	1
32	C90207	Gauge, Air Pressure, Side Stem	1
33	80072	Bracket, T-Type, Y40T	1
34	80073	Bracket, T-Type Adaptor, NE40T-N04	1
35	10819	Bolt, Carriage 5/18-18 x 1	4
36	10213	Washer, Flat 5/16	4
37	10801	Washer, Lock 5/16	4
38	10054	Nut 5/16-18	4
39	10734	Elbow, Street 1/2 NPT x 45° (Black)	1
40	63040	Cable, "Whipchek" Safety 1/8 x20-1/4	1
41	80075	Coupler, Air Hose, 1/2 MPT	1
42	80074	Bracket, F.R.L. Mounting	1
43	10846	Screw, S.T. Hex Washer 1/4-20 x 1/2	4



SB-14 MOTOR ASSEMBLY FOR 5 H.P. BALDOR

JULY '97



PARTS LISTING: MODEL SB-14 MOTOR ASSEMBLY FOR 5 H.P. BALDOR

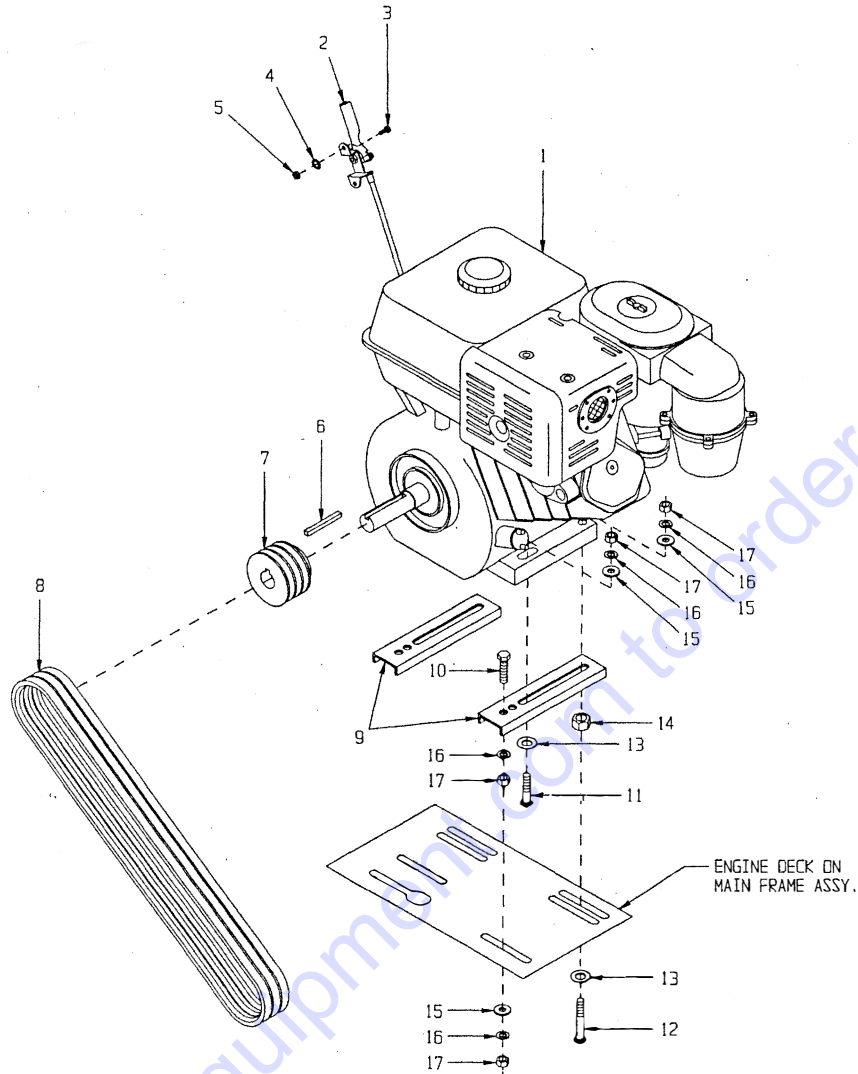
Item #	Part #	Description	Qty.
1		Motor	1
	81026	Baldor 5 HP-1 PH, 60 Hz, 3450 RPM	
	81022	Baldor 5 HP-3 PH, 60 Hz, 3450 RPM	
	16020	Baldor 5 HP-3 PH, 50 Hz, 2850 RPM	
2	-----	Key 1/4" Sq. (Included w/ Motor)	1
3	81010	Mount Brkt., Channel	2
4	10804	Bolt, Carriage 3/8-16 x 1-1/2	4
5	10802	Bolt, Carriage 3/8-16 x 1	2
6	10417	Nut 1/2-13 (Spacer)	2
7	10811	Washer, Lock 3/8	6
8	10404	Nut 3/8-16	6
9	81006	Sheave 3"OD x 3Gr.A x 1-1/8" Bore	1
10	81007	Belt AX-33	3
*11		Wire Harness (See Note)	1
	86024	10/3 x 36" LOA	
	86023	12/4 x 36" LOA	
12	10605	Connector, Strain Relief 3/4 NPT x .650-.750" Range	3
13	10740	Conduit Lock Nut 3/4 NP	3
14	85045	Starter CA3-30 w/ Large Enclosure (Specify HP, Phase, Volts, Amps, Hz)	1
15	86027	Mounting Brkt., Large CA3-30 Starter	1
16	10362	Screw, Machine 8-32 x 3/4	2
17	10850	Washer, Flat #10	2
18	10461	Washer, Lock, Int. Tooth #8	2
19	10462	Nut 8-32	2
20	10038	Washer, Lock 1/4	2
21	10846	Screw, S.T. Hex Washer 1/4-20 x 1/2	2
*22		Wire Harness (See Note)	1
	86026	10/3 x 24" LOA	
	86022	12/4 x 24" LOA	
*23	40037	Plug, Locking 20A/250V	1
*24	40000	Plug Connector, Locking 20A/250V	1

* Note:

Plug and Connector (Items 23 & 24)
are not supplied on 3 Phase units.
1-Phase unit use 10/3 Wire Harness
3-Phase unit use 12/4 Wire Harness

SB-14 ENGINE ASSEMBLY FOR 11 H.P. HONDA GX340

MARCH '95

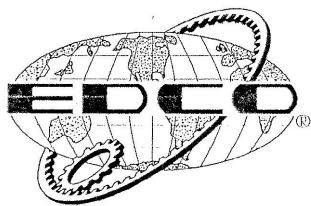
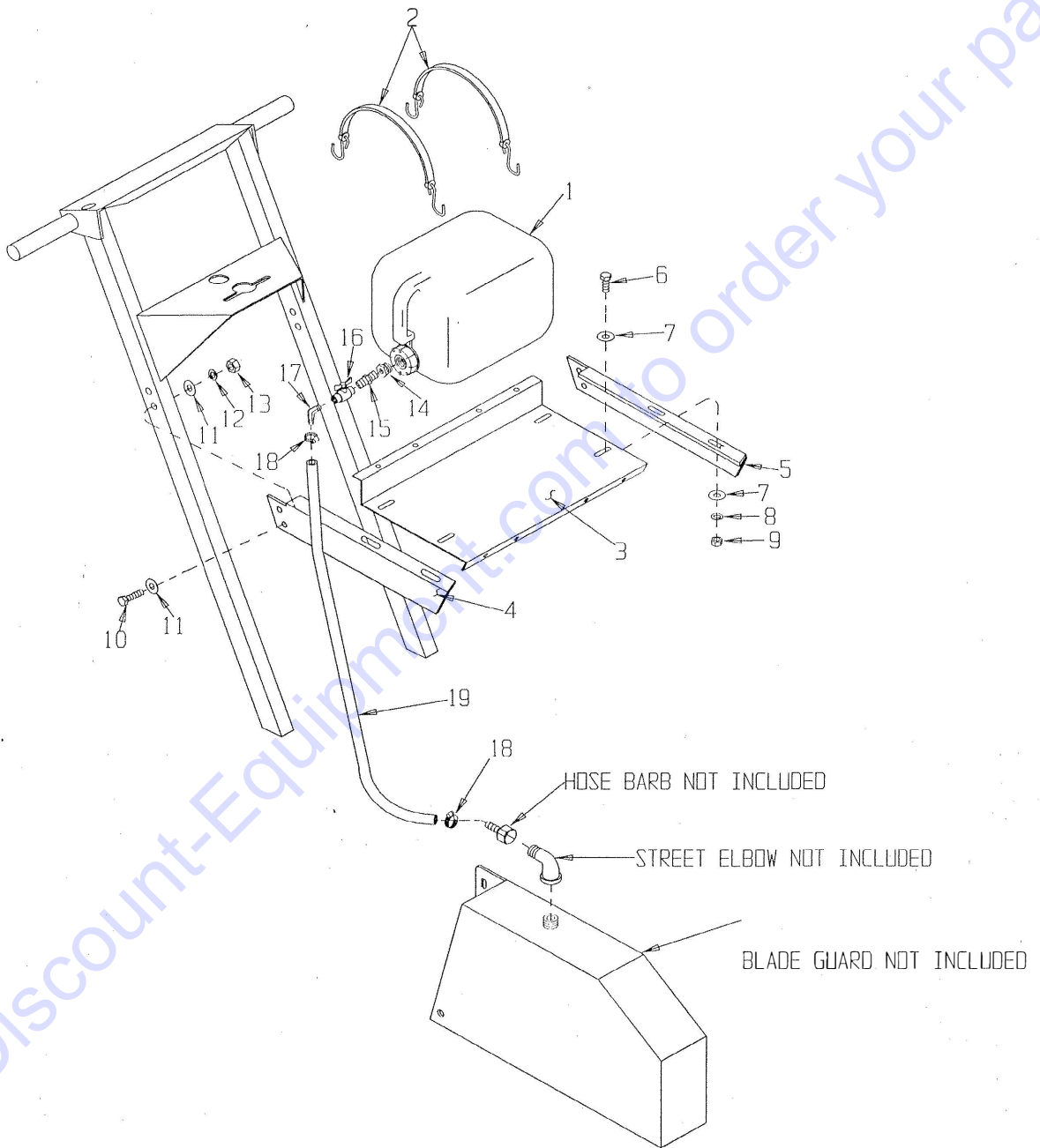


PARTS LISTING FOR MODEL SB-14
11 HP HONDA GX340 ENGINE ASSEMBLY

Item #	Part #	Description	Qty.
1	79045	Engine, Honda 11 HP GX340	1
2	3611	Cable, Throttle Lever-Type 54" (Note: Trim to appropriate length)	1
3	10830	Screw, Machine 10-32 x 1/2	2
4	10831	Washer, Lock, Internal Tooth #10	2
5	10832	Nut 10-32	2
6	10071	Key 1/4" Sq. x 2-1/2	1
7	80027	Sheave 3"OD x 3Gr.A x 1" Bore	1
8	81007	Belt AX-33	3
9	81010	Mount Brkt., Channel	2
10	10480	Bolt, Tap 3/8-16 x 1-1/2 (Full Thread)	2
11	10087	Bolt, Carriage 3/8-16 x 1-3/4	2
12	10908	Bolt, Carriage 3/8-16 x 2-1/2	2
13	10040	Washer, Garret 1"OD x 17/32"ID x .054"T	4
14	10417	Nut 1/2-13 (Spacer)	2
15	10025	Washer, Flat 3/8	6
16	10811	Washer, Lock 3/8	8
17	10404	Nut 3/8-16	8

MODEL SB-14
OPTIONAL
5 GALLON WATER TANK ASSEMBLY
PART NO. 51090

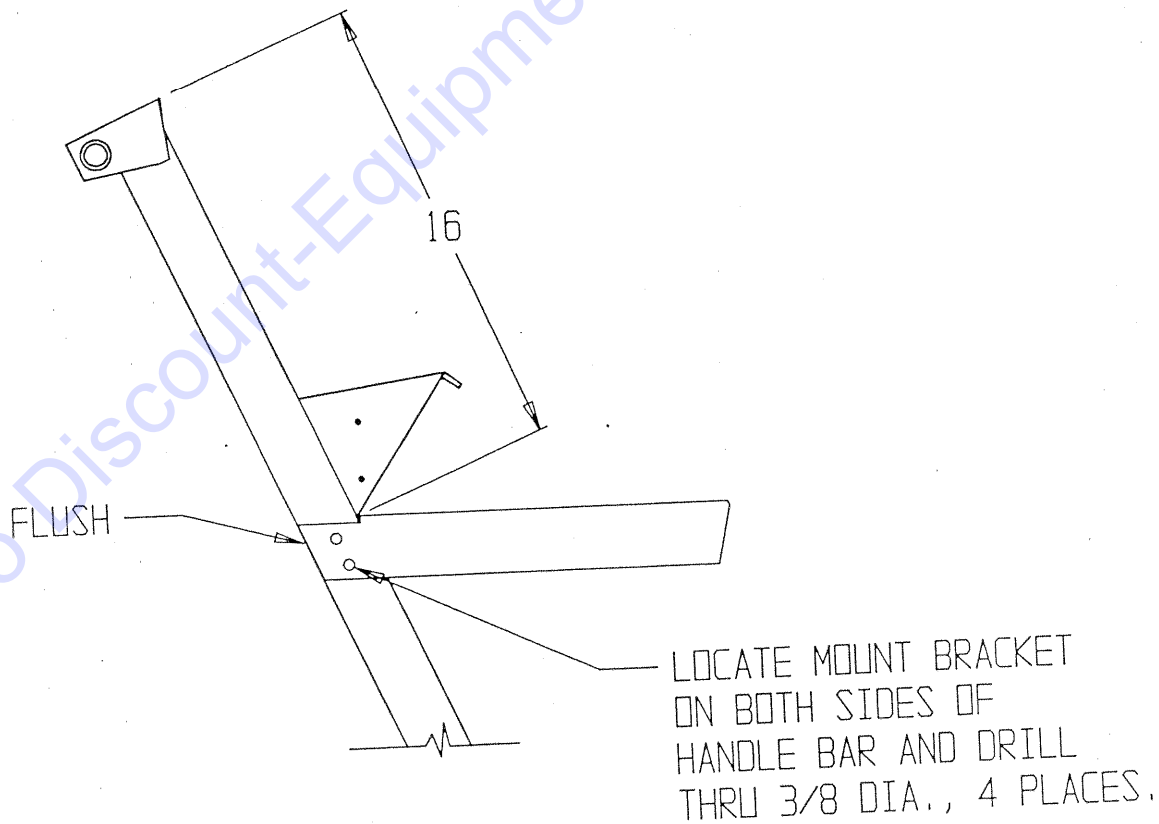
MARCH 1997



USA

PRINTED IN U.S.A.

MODEL SB-14 OPTIONAL WATER TANK ASSEMBLY PART NO. 51090			
Item #	Part #	Description	Qty.
1	52031	Drum, Plastic 5 Gallon, 3/4 NPT Cap	1
2	52035	Tie-Down Strap, Molded Rubber 24"	2
3	52036	Tray, Water Tank	1
4	51091	Mount Bracket, Water Tank (Right)	1
5	51092	Mount Bracket, Water Tank (Left)	1
6	10053	Screw, Cap 5/16-18 x 3/4	4
7	10213	Washer, Flat 5/16	8
8	10801	Washer, Lock 5/16	4
9	10054	Nut 5/16-18	4
10	10068	Screw, Cap 3/8-16 x 1-1/2	4
11	10025	Washer, Flat 3/8	8
12	10811	Washer, Lock 3/8	4
13	10404	Nut 3/8-16	4
14	52034	Bushing, Hex 3/4 x 1/4 NPT (Brass)	1
15	-----	End Connector 1/4 NPT (Included w/ Valve Kit, Item #16)	1
16	52032	Valve, Labcock Kit 1/4 NPT	1
17	10799	Barb, Elbow 90° 3/8 Hose x 1/4 MPT	1
18	50069	Clamp, Hose Size M6, Adj. to 13/16"	2
19	52039	Hose, Water 3/8" ID x 48" L	1



PARTS FINDER

**Search Website
by Part Number**



**Search Manual
Library For Parts
Manual & Lookup Part
Numbers – Purchase
or Request Quote**

Search Manuals

Enter your information to help us find the right parts manual for your machine.

* Brand:

* Model:

* Serial:

* Part Number:

SEARCH

**Can't Find Part or
Manual? Request Help
by Manufacturer,
Model & Description**

Parts Order Form

Please fill in the following information to help us find the right part for your machine.

Manufacturer:	<input type="text"/>
Model:	<input type="text"/>
Description:	<input type="text"/>
Part Number:	<input type="text"/>
Quantity:	<input type="text"/>
Notes:	<input type="text"/>

Submit

Discount-Equipment.com is your online resource for quality parts & equipment.

Florida: **561-964-4949** Outside Florida TOLL FREE: **877-690-3101**

Need parts?

Click on this link: <http://www.discount-equipment.com/category/5443-parts/> and choose one of the options to help get the right parts and equipment you are looking for. Please have the machine model and serial number available in order to help us get you the correct parts. If you don't find the part on the website or on one of the online manuals, please fill out the request form and one of our experienced staff members will get back to you with a quote for the right part that your machine needs.

We sell worldwide for the brands: Genie, Terex, JLG, MultiQuip, Mikasa, Essick, Whiteman, Mayco, Toro Stone, Diamond Products, Generac Magnum, Airman, Haulotte, Barreto, Power Blanket, Nifty Lift, Atlas Copco, Chicago Pneumatic, Allmand, Miller Curber, Skyjack, Lull, Skytrak, Tsurumi, Husquvarna Target, Stow, Wacker, Sakai, Mi-T-M, Sullair, Basic, Dynapac, MBW, Weber, Bartell, Bennar Newman, Haulotte, Ditch Runner, Menegotti, Morrison, Contec, Buddy, Crown, Edco, Wyco, Bomag, Laymor, EZ Trench, Bil-Jax, F.S. Curtis, Gehl Pavers, Heli, Honda, ICS/PowerGrit, IHI, Partner, Imer, Clipper, MMD, Koshin, Rice, CH&E, General Equipment, Amida, Coleman, NAC, Gradall, Square Shooter, Kent, Stanley, Tamco, Toku, Hatz, Kohler, Robin, Wisconsin, Northrock, Oztec, Toker TK, Rol-Air, APT, Wylie, Ingersoll Rand / Doosan, Innovatech, Con X, Ammann, Mecalac, Makinex, Smith Surface Prep, Small Line, Wanco, Yanmar