



REVISED STARTING
SERIAL # 120410049

PARTS LIST MANUAL

MODEL SB14



**GASOLINE
MODEL**



**ELECTRIC MODEL
WITH VACUUM TUBE**



**AIR POWERED
MODEL**

14" UPCUT - CONCRETE AND ASPHALT WALK BEHIND SAWS

SKU #	MODEL #	POWER OPTION
43100	SB14-9H	HONDA GASOLINE ENGINE MODEL GX270U1-QXC9
42500	SB14-11H	HONDA GASOLINE ENGINE MODEL GX340U1-QXC9
48200	SB14-13H	HONDA GASOLINE ENGINE MODEL GX390U1-QXC9
42600	SB14-5B/230/1	BALDOR ELECTRIC MOTOR 5HP 1PH 60Hz 230V
40650-230	SB14-5B/230/3	BALDOR ELECTRIC MOTOR 5HP 3PH 60Hz 230V
40650-460	SB14-5B/460/3	BALDOR ELECTRIC MOTOR 5HP 3PH 60Hz 460V
47200	ASB14-5G	GAST AIR MOTOR 5HP



A Division of Equipment Development Company, Inc.

PARTS FINDER

**Search Website
by Part Number**



**Search Manual
Library For Parts
Manual & Lookup Part
Numbers – Purchase
or Request Quote**

Search Manuals

Enter your information to search for a manual or to purchase a manual or parts.

* Brand:

* Model:

* Serial:

* Part Number:

SEARCH

**Can't Find Part or
Manual? Request Help
by Manufacturer,
Model & Description**

Parts Order Form

Please fill in the following information to request help finding a part or manual.

Manufacturer:

Model:

Description:

Quantity:

Part Number:

Part Name:

Part Description:

Part Category:

Part Location:

Part Status:

Part Condition:

Part Material:

Part Color:

Part Weight:

Part Dimensions:

Part Price:

Part Notes:

Submit

Discount-Equipment.com is your online resource for quality parts & equipment.

Florida: **561-964-4949** Outside Florida TOLL FREE: **877-690-3101**

Need parts?

Click on this link: <http://www.discount-equipment.com/category/5443-parts/> and choose one of the options to help get the right parts and equipment you are looking for. Please have the machine model and serial number available in order to help us get you the correct parts. If you don't find the part on the website or on one of the online manuals, please fill out the request form and one of our experienced staff members will get back to you with a quote for the right part that your machine needs.

We sell worldwide for the brands: Genie, Terex, JLG, MultiQuip, Mikasa, Essick, Whiteman, Mayco, Toro Stone, Diamond Products, Generac Magnum, Airman, Haulotte, Barreto, Power Blanket, Nifty Lift, Atlas Copco, Chicago Pneumatic, Allmand, Miller Curber, Skyjack, Lull, Skytrak, Tsurumi, Husquvarna Target, Stow, Wacker, Sakai, Mi-T-M, Sullair, Basic, Dynapac, MBW, Weber, Bartell, Bennar Newman, Haulotte, Ditch Runner, Menegotti, Morrison, Contec, Buddy, Crown, Edco, Wyco, Bomag, Laymor, EZ Trench, Bil-Jax, F.S. Curtis, Gehl Pavers, Heli, Honda, ICS/PowerGrit, IHI, Partner, Imer, Clipper, MMD, Koshin, Rice, CH&E, General Equipment, Amida, Coleman, NAC, Gradall, Square Shooter, Kent, Stanley, Tamco, Toku, Hatz, Kohler, Robin, Wisconsin, Northrock, Oztec, Toker TK, Rol-Air, APT, Wylie, Ingersoll Rand / Doosan, Innovatech, Con X, Ammann, Mecalac, Makinex, Smith Surface Prep, Small Line, Wanco, Yanmar

READ AND UNDERSTAND THE OPERATORS INSTRUCTION MANUAL THOROUGHLY BEFORE ATTEMPTING TO OPERATE THIS EQUIPMENT.



Death or serious injury could occur if this machine is used improperly.



SAFETY MESSAGES

- Safety Instructions are preceded by a graphic alert symbol of DANGER, WARNING, or CAUTION.



Indicates an imminent hazard which, if not avoided, will result in death or serious injury.



Indicates an imminent hazard which, if not avoided, can result in death or serious injury.



Indicates hazards which, if not avoided, could result in serious injury and or damage to the equipment.

GASOLINE/PROPANE POWERED EQUIPMENT



- Engine exhaust from this product contains chemicals known to the State of California to cause cancer, birth defects or other reproductive harm.



- Gasoline is extremely flammable and poisonous. It should only be dispensed in well ventilated areas, and with a cool engine.

- Small gasoline engines produce high concentrations of carbon monoxide (CO) example: a 5 HP 4 cycle engine operation in an enclosed 100,000 cu. ft. area with only one change of air per hour is capable of providing deadly concentrations of CO in less than fifteen minutes. Five changes of air in the same area will produce noxious fumes in less than 30 minutes. Gasoline or propane powered equipment should not be used in enclosed or partially enclosed areas. Symptoms of CO poisoning include, headache, nausea, weakness, dizziness, visual problems and loss of consciousness. If symptoms occur - get into fresh air and seek medical attention immediately.

ELECTRICAL POWERED EQUIPMENT



Extreme care must be taken when operating electric models with water present: Ensure power cord is properly grounded, is attached to a Ground-Fault-Interrupter (GFI) outlet, and is undamaged.

- Check all electrical cables - be sure connections are tight and cable is continuous and in good condition. Be sure cable is correctly rated for both the operating current and voltage of this equipment.
- Improper connection of the equipment-grounding conductor can result in a risk of electric shock. Check with qualified electrician or service person if there is any doubt as to whether the outlet is properly grounded. Adhere to all local codes and ordinances.
- **NOTE:** In the event of a malfunction or breakdown, grounding provides a path of least resistance for the electric current to dissipate. The motor is equipped with a grounded plug and must be connected to an outlet that is properly installed and properly grounded. DO NOT modify the plug provided on the motor. If the plug does not fit the outlet have a qualified electrician install the proper receptacle.
- Switch motor OFF before disconnecting power.

- Do not disconnect power by pulling cord. To disconnect, grasp the plug, not the cord.
- Unplug power cord at the machine when not in use and before servicing.

GENERAL INSTRUCTIONS

- Equipment should only be operated by trained personnel in good physical condition and mental health (not fatigued). The operator and maintenance personnel must be physically able to handle the bulk weight and power of this equipment.
- This is a one person tool. Maintain a safe operating distance to other personnel. It is the **operators' responsibility** to keep other people (workers, pedestrians, bystanders, etc.) away during operation. Block off the work area in all directions with roping, safety netting, etc. for a safe distance. Failure to do so may result in others being injured by flying debris or exposing them to harmful dust and noise.
- This equipment is intended for commercial use only.
- For the operator's safety and the safety of others, always keep all guards in place during operation.
- Never let equipment run unattended.



- Personal Protection Equipment and proper safety attire must be worn when operating this machinery. The operator must wear approved safety equipment appropriate for the job such as hard hat and safety shoes when conditions require. Hearing protection **MUST** be used (operational noise levels of this equipment may exceed 85db). Eye protection **MUST** be worn at all times.



- Keep body parts and loose clothing away from moving parts. Failure to do so could result in dismemberment or death.

- Do not modify the machine.
- Stop motor/engine when adjusting or servicing this equipment.



- Maintain a safe operating distance from flammable materials. Sparks from the cutting-action of this machine can ignite flammable materials or vapors.

DUST WARNING



Some dust created by power sanding, sawing, grinding, drilling, and other construction activities contains chemicals known to cause cancer, birth defects, or other reproductive harm. Some examples of these chemicals are:

- Lead from lead-based paints, and
- Crystalline silica from bricks and concrete and other masonry products.

Your risk of exposure to these chemicals varies depending on how often you do this type of work. To reduce your risk: work in a well ventilated area, use a dust control system, such as an industrial-style vacuum, and wear approved personal safety equipment, such as a dust/particle respirator designed to filter out microscopic particles.

PARTS LIST MANUAL

MODEL SB14

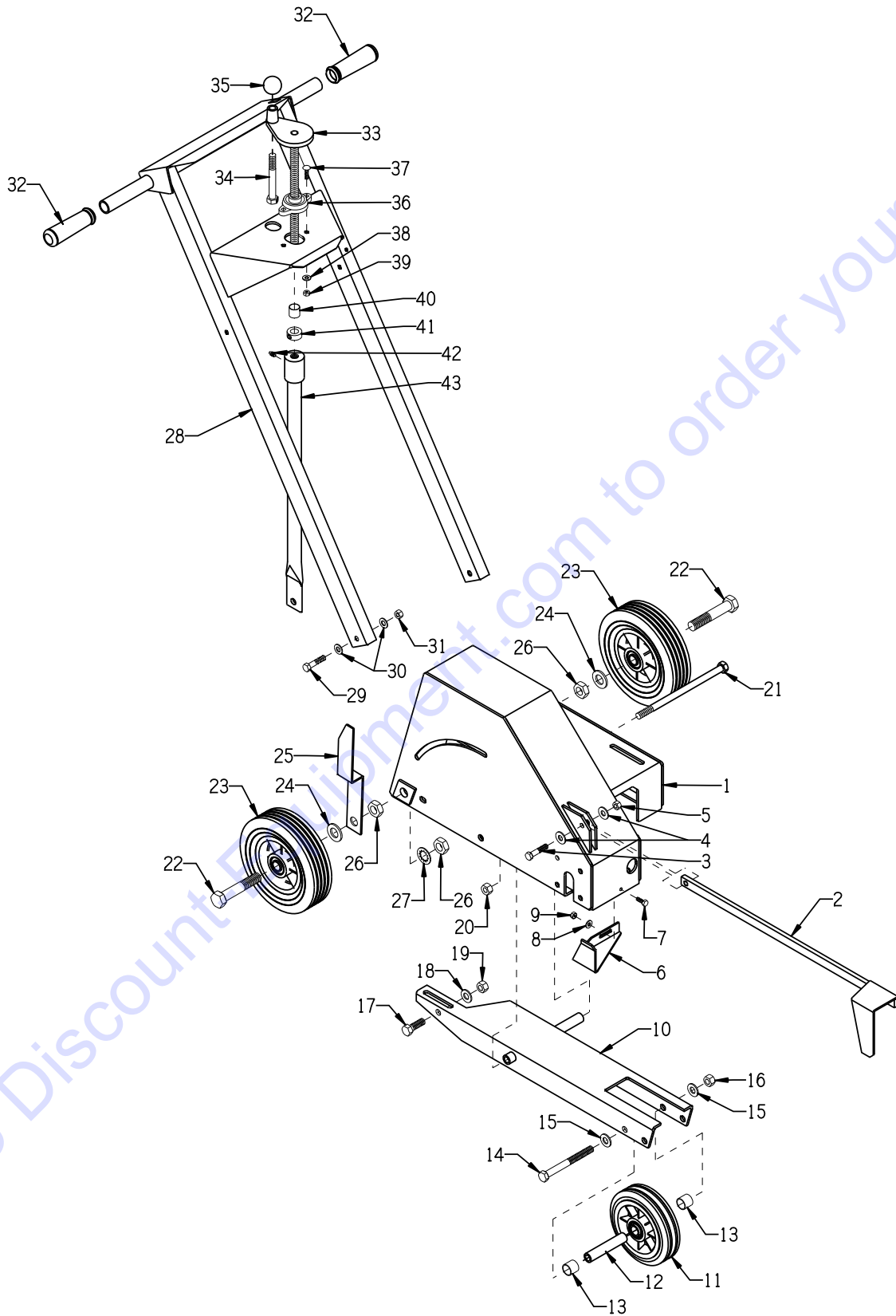
TABLE OF CONTENTS

<u>Section</u>	<u>Page Number</u>
Safety Messages and General Instructions	2
How To Order Replacement Parts	3
Illustration 1: Main Grouping	4, 5
Illustration 2: Arbor & Blade Guard Grouping	6, 7
Illustration 3: Blade Guard Assembly with 2" Vacuum Port (Optional)	8, 9
Illustration 4: Water Tank Assembly (Optional)	10, 11
Illustration 5: Engine Grouping	12, 13
Illustration 6: Single Phase Motor Grouping	14, 15
Illustration 7: Three Phase Motor Grouping	16, 17
Illustration 8: Air Motor Grouping	18, 19
Wiring Diagram for Rotary Switch	20
Wiring Diagram for Starter	21
Wiring Diagram for 1 Phase 60Hz Motor - Baldor L3608TM	22
Wiring Diagram for 3 Phase 60Hz Motor - Baldor M3613T	23
Wiring Diagram for Honda Engine	24
Notes	25
Decals	26, 27
Limited Equipment Warranty	28 (Back Page)



A Division of Equipment Development Company, Inc.

ILLUSTRATION 1: MAIN GROUPING



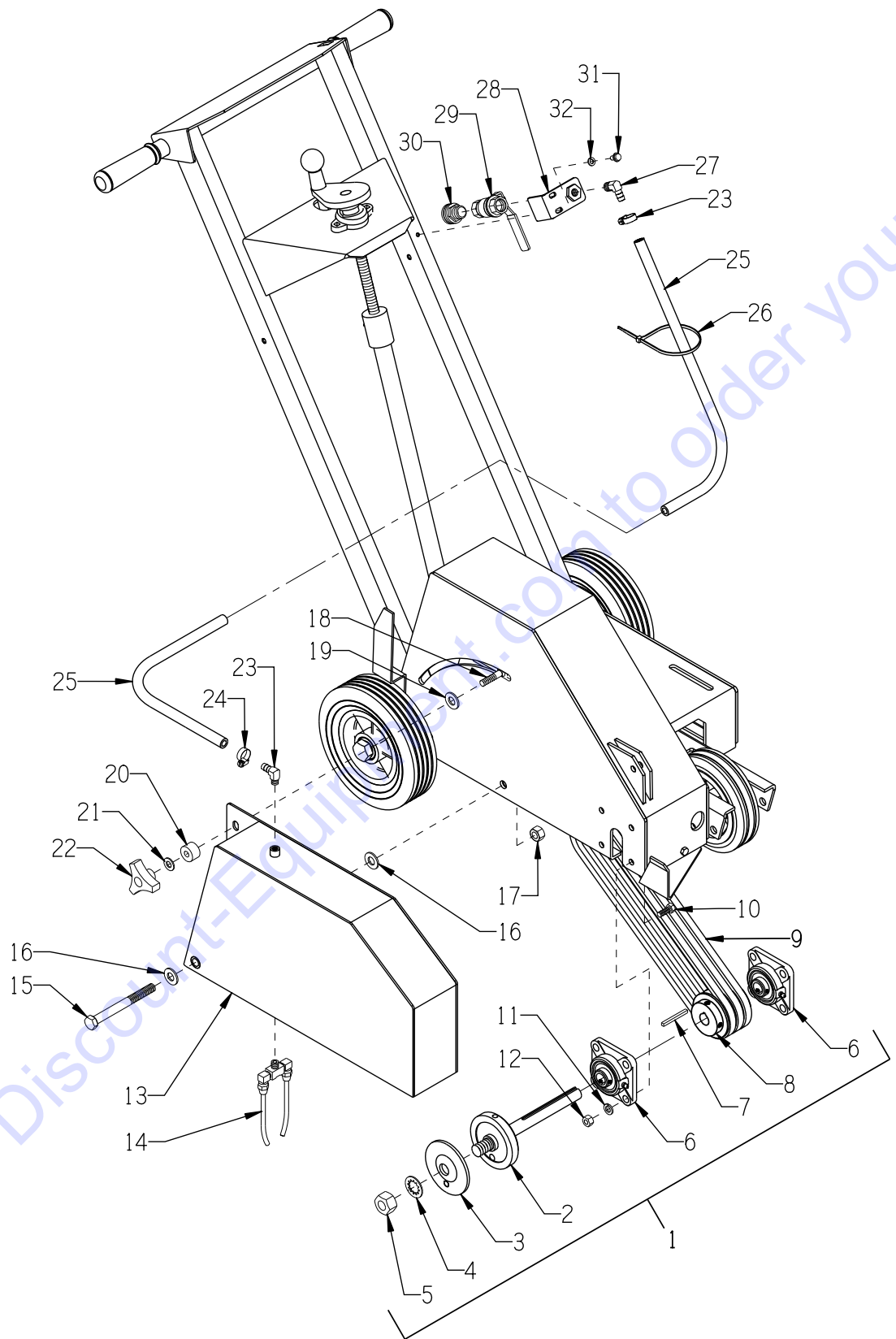
Go to DiscountParts.com to order your parts

PARTS LISTING - ILLUSTRATION 1: MAIN GROUPING

ITEM	PART #	DESCRIPTION	QTY.	ITEM	PART #	DESCRIPTION	QTY.
1	80002	MAIN FRAME, SB-14	1	24	10009	WASHER, FLAT 3/4 SAE ZINC	2
2	81009	GUIDE BAR, SB-14	1	25	81003	GUIDE FIN, REAR, SB-14	1
3	10309	SCREW, CAP 3/8-24 X 1-1/4	1	26	10429	NUT, HEX JAM 3/4-16 ZINC	4
4	10025	WASHER, FLAT 3/8 SAE ZINC	2	27	10609	WASHER, LOCK, INT. TOOTH 3/4"	2
5	10004	NUT, HEX LOCK 3/8-24 ZINC	1	28	81024	HANDLE BAR, SB-14	1
6	80037	RETAINER, BLADE GUARD	1	29	10029	SCREW, CAP 3/8-24 X 1-3/4	2
7	10018	SCREW, CAP 1/4-20 X 3/4	1	30	10025	WASHER, FLAT 3/8 SAE ZINC	4
8	10602	WASHER, FLAT 1/4 SAE ZINC	1	31	10004	NUT, HEX LOCK 3/8-24 ZINC	2
9	10015	NUT, HEX LOCK 1/4-20 ZINC	1	32	10608	GRIP, HAND 1" MODEL AT	2
10	80018	FORK, SB-14	1	33	65019	HANDWHEEL, SMALL W/ 5/8-8 X 13"ROD	1
11	80028	WHEEL 6 X 2 X 3/4"BRG.	1	34	81001	SCREW, CAP 1/2-13 X 4	1
12	80023	AXLE TUBE 3/4ODX1/2IDX3-7/8L	1	35	14023	KNOB, BALL 1-3/8 W/ 1/2-13THD,	1
13	80022	SPACER, WHEEL 13/16"ID X 13/16"L	2	36	80009	BEARING, BALL 5/8" 2-HOLE	1
14	65017	SCREW, CAP 1/2-20 X 5 ZINC	1	37	10412	BOLT, CARRIAGE 1/4-20 X 1	2
15	10312	WASHER, FLAT 1/2 SAE ZINC	2	38	10602	WASHER, FLAT 1/4 SAE ZINC	2
16	10205	NUT, HEX LOCK 1/2-20 ZINC	1	39	10861	NUT, KEPS LOCK 1/4-20 ZINC	2
17	10308	SCREW, CAP 1/2-20 X 1-1/2	1	40	55010	SPACER, HANDWHEEL 5/8"ID X 3/4"L	1
18	10312	WASHER, FLAT 1/2 SAE ZINC	1	41	10096	COLLAR, LOCKING 5/8"ID	1
19	10154	NUT, HEX NYLON LOCK 1/2-20	1	42	10808	FITTING, GREASE 1/4-28 STRAIGHT	1
20	10407	NUT, HEX LOCK 1/2-13 ZINC	1	43	81025	LINKAGE, CUT CONTROL 5/8-8 THD.	1
21	10408	SCREW, CAP 1/2-13 X 9	1				
22	10406	SCREW, CAP 3/4-16 X 4	2				
23	79013	WHEEL, 8 X 2-1/2 X 3/4"BRG. POLY HUB	2				



ILLUSTRATION 2: ARBOR & BLADE GUARD GROUPING

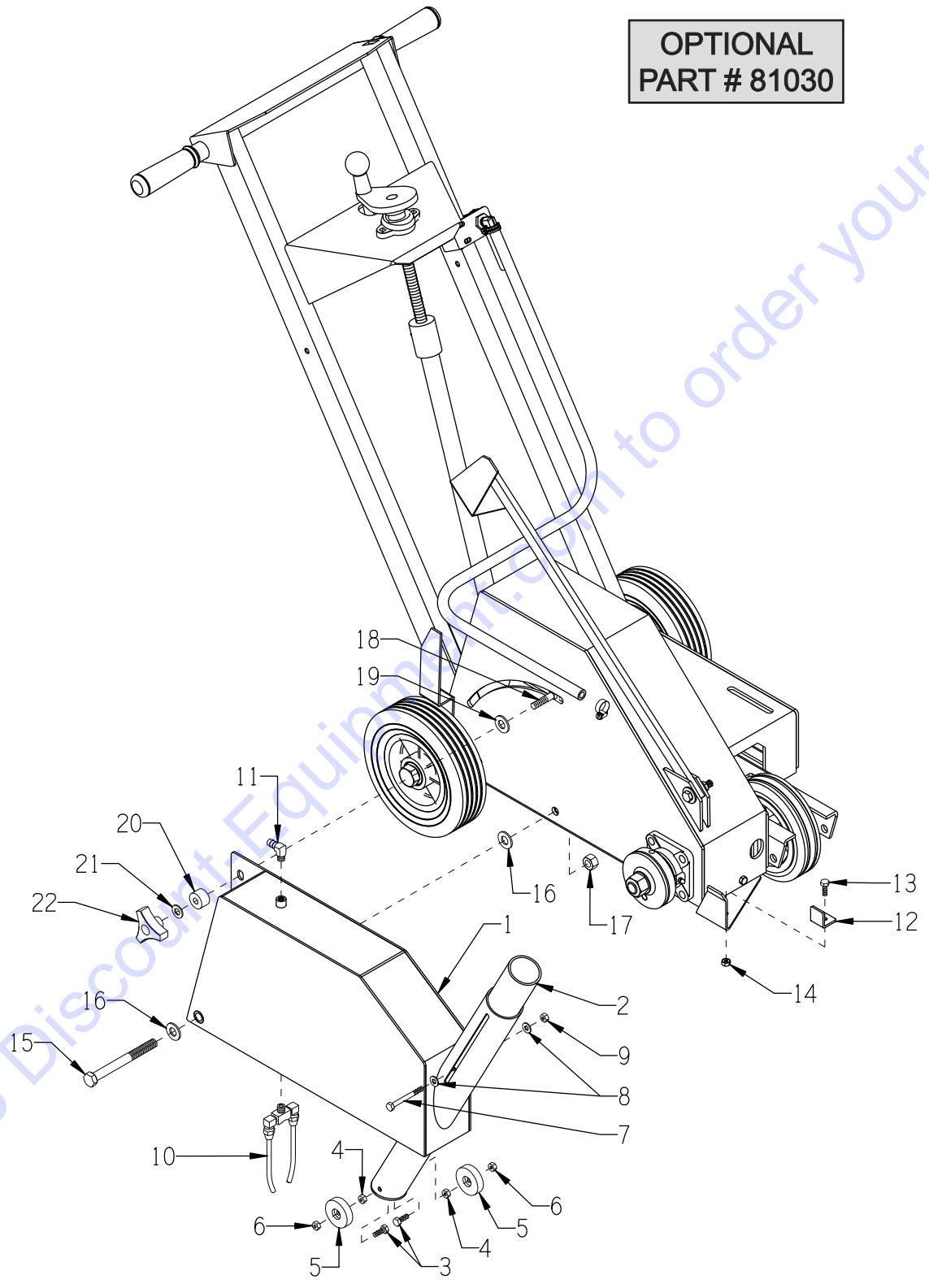


PARTS LISTING - ILLUSTRATION 2: ARBOR & BLADE GUARD GROUPING			
ITEM #	PART #	DESCRIPTION	QTY.
1	81008A	ARBOR ASSEMBLY, SB14 GAS/ELEC.	1
	81008B	ARBOR ASSEMBLY, ASB14 AIR POWERED	1
2	81008	ARBOR SHAFT W/ BACKING PLATE, SB-14	1
3	80005	ARBOR BLADE CAP 3-1/2" W/ 3/4"HOLE	1
4	10609	WASHER, LOCK, INT. TOOTH 3/4"	1
5	10403	NUT, HEX JAM 3/4-10 ZINC	1
6	77009	BEARING, BALL 3/4" 4-HOLE FLANGE	2
7	10088	KEY 3/16SQ X 2-1/2	1
8		SHEAVE...	1
	81011	3"OD X 3GR.A X 3/4"BORE (GAS & ELEC.)	
	80016	3"OD X 2GR.B X 3/4BORE (AIR POWERED)	
9	81007	BELT AX-33 (GASOLINE & ELECTRIC POWERED)	3
	10251	BELT B-34 (AIR POWERED)	2
10	10309	SCREW, CAP 3/8-24 X 1-1/4 ZINC	8
11	10811	WASHER, LOCK 3/8 ZINC	8
12	10014	NUT, HEX 3/8-24 ZINC	8
13	80004	GUARD, BLADE, SB-14	1
14	81004	NOZZLE, COOLANT 1/8MPT W/ 4"TUBES	1
15	65017	SCREW, CAP 1/2-20 X 5 ZINC	1
16	10312	WASHER, FLAT 1/2 SAE ZINC	3
17	10072	NUT, HEX 1/2-20 ZINC	1
		NOTE: USE RED LOCTITE™	
18	10087	BOLT, CARRIAGE 3/8-16 X 1-3/4	1
19	11741	WASHER, NYLON 1"OD X.518ID X.08THK	1
20	10034	BUSHING, RUBBER 1"OD X 3/8ID X 5/8T	1
21	10025	WASHER, FLAT 3/8 SAE ZINC	1
22	80011	KNOB, 3-PRONG W/ 3/8-16 THD.	1
23	11562	BARB ELBOW 90, 3/8HOSE X 1/8MPT	1
24	50069	CLAMP, HOSE, SAE #6, ADJ. TO 13/16	2
25	56317	HOSE, WATER 3/8"ID X 48"L (GAS & AIR)	1
	80039	HOSE, WATER 3/8"ID X 33"L (ELECTRIC)	1
26	10982	TIE, CABLE, BLACK NYLON 11-1/4"	1
27	10799	BARB ELBOW 90, 3/8HOSE X 1/4MPT	1
28	56022	BRACKET, WATER VALVE (MOUNTED ON OPP. SIDE FOR ELEC. UNITS)	1
29	10711	VALVE, BALL 1/2 FPT	1
30	80021	CONN., SWIVEL FEM. 3/4HOSE X 1/2MPT	1
31	10846	SCREW, CAP STSHW 1/4-20 X 1/2	2
32	10038	WASHER, LOCK 1/4 ZINC	2



**ILLUSTRATION 3:
BLADE GUARD ASSEMBLY WITH 2" VACUUM PORT**

**OPTIONAL
PART # 81030**



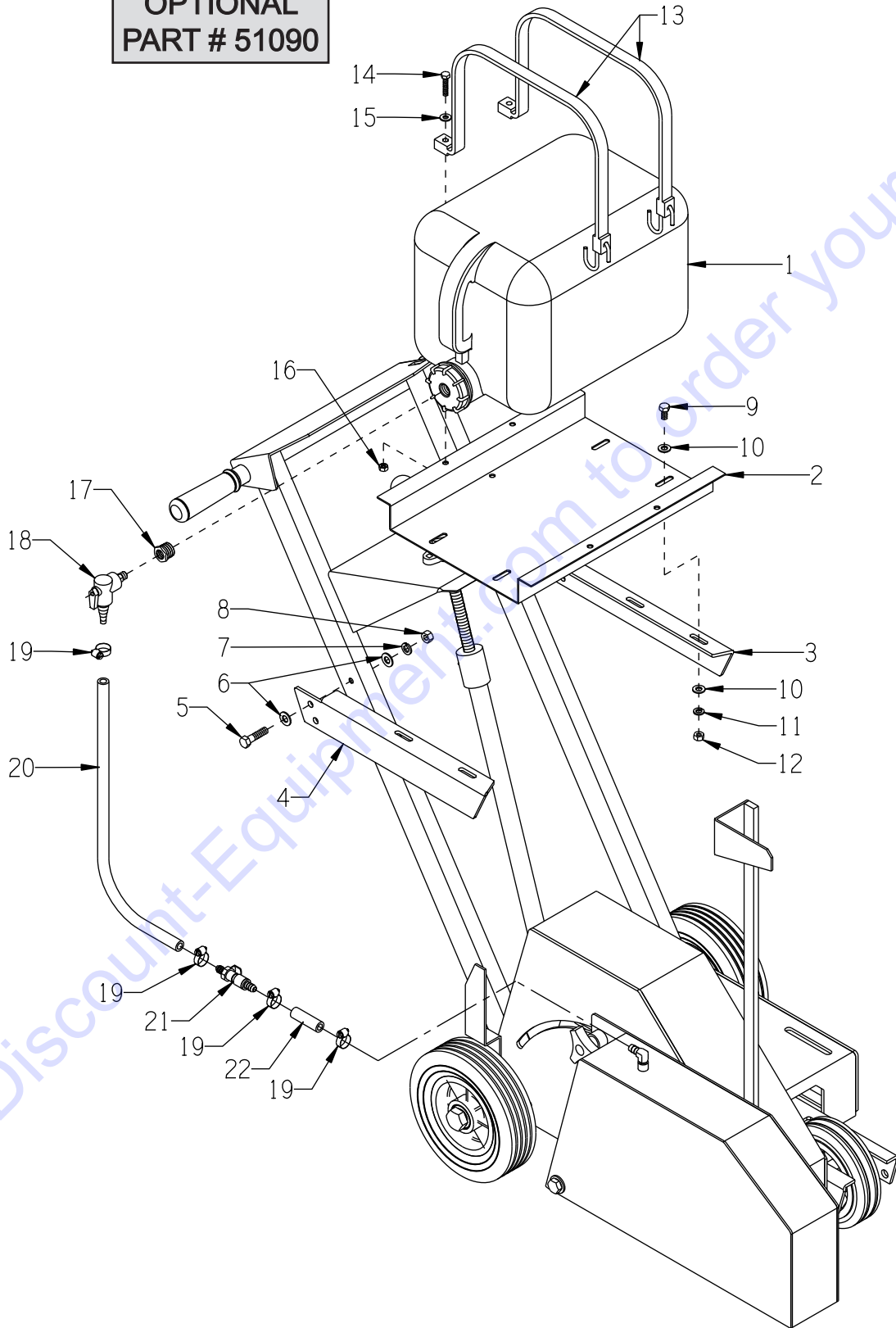
PARTS LISTING - ILLUSTRATION 3:			
BLADE GUARD ASSEMBLY WITH 2" VACUUM PORT (OPTIONAL)			
ITEM #	PART #	DESCRIPTION	QTY.
1-14	81030	GUARD ASSY. W/ VAC PORT, SB-14 (INCLUDES ITEMS 1 THRU 14)	1
1	81031	GUARD ONLY W/ VAC PORT, SB-14	1
2	81032	GUARD VAC PORT, SLIDING, SB-14	1
3	10018	SCREW, CAP 1/4-20 X 3/4	2
4	10013	NUT, HEX 1/4-20 ZINC	2
5	81033	WHEEL, BLADE GUARD VAC PORT, SB-14	2
6	10015	NUT, HEX LOCK 1/4-20 ZINC	2
7	11658	SCREW, CAP 1/4-20 X 2-3/4	1
8	10602	WASHER, FLAT 1/4 SAE ZINC	2
9	10150	NUT, HEX NYLON LOCK 1/4-20 ZINC	1
10*	81004	NOZZLE, COOLANT 1/8MPT W/ 4" TUBES	1
11*	11562	BARB ELBOW 90, 3/8 HOSE X 1/8 MPT	1
12	81034	BRKT., BLADE GUARD CENTERING, SB14	1
13	10018	SCREW, CAP 1/4-20 X 3/4	1
14	10015	NUT, HEX LOCK 1/4-20 ZINC	1
15*	65017	SCREW, CAP 1/2-20 X 5 ZINC	1
16*	10312	WASHER, FLAT 1/2 SAE ZINC	3
17*	10205	NUT, HEX LOCK 1/2-20 ZINC	1
18*	10087	BOLT, CARRIAGE 3/8-16 X 1-3/4	1
19*	11741	WASHER, NYLON 1" OD X .518 ID X .08 THK	1
20*	10034	BUSHING, RUBBER 1" OD X 3/8 ID X 5/8 T	1
21*	10025	WASHER, FLAT 3/8 SAE ZINC	1
22*	80011	KNOB, 3-PRONG W/ 3/8-16 THD.	1
*NOTE: THESE ITEMS ARE THE SAME ITEMS USED WITH THE STANDARD BLADE GUARD SHOWN IN ILLUSTRATION 2.			



A Division of Equipment Development Company, Inc.

ILLUSTRATION 4: WATER TANK ASSEMBLY

**OPTIONAL
PART # 51090**



PARTS LISTING - ILLUSTRATION 4: WATER TANK ASSEMBLY			
OPTIONAL - PART # 51090			
ITEM #	PART #	DESCRIPTION	QTY.
1	52031	DRUM, PLASTIC 5 GALLON, 3/4NPT CAP	1
2	56311	TRAY, WATER TANK, SB-14	1
3	51092	MOUNT BRKT., WATER TANK, LEFT SIDE	1
4	51091	MOUNT BRKT., WATER TANK, RIGHT SIDE	1
5	10068	SCREW, CAP 3/8-16 X 1-1/2	4
6	10025	WASHER, FLAT 3/8 SAE ZINC	8
7	10811	WASHER, LOCK 3/8 ZINC	4
8	10404	NUT, HEX 3/8-16 ZINC	4
9	10053	SCREW, CAP 5/16-18 X 3/4	4
10	10213	WASHER, FLAT 5/16 SAE ZINC	8
11	10801	WASHER, LOCK 5/16 ZINC	4
12	10054	NUT, HEX 5/16-18 ZINC	4
13	52035	TIE-DOWN STRAP, MOLDED RUBBER 24"	2
14	10905	SCREW, CAP 1/4-20 X 1-1/4	2
15	10602	WASHER, FLAT 1/4 SAE ZINC	2
16	10150	NUT, HEX NYLON LOCK 1/4-20 ZINC	2
17	52034	BUSHING, HEX 3/4 X 1/4 NPT NYLON	1
18	56312	VALVE, BALL PVC 90°A 1/4MPT X BARB	1
19	50069	CLAMP, HOSE, SAE #6, ADJ. TO 13/16	4
20	56315	HOSE, WATER 3/8"ID X 24"L	1
21	11637	COUPLING, QUICK-DISCONNECT 3/8"	1
22	56316	HOSE, WATER 3/8"ID X 2"L	1



A Division of Equipment Development Company, Inc.

PARTS FINDER

**Search Website
by Part Number**



**Search Manual
Library For Parts
Manual & Lookup Part
Numbers – Purchase
or Request Quote**

Search Manuals

Enter your information to help us find the right part for your machine.

* Brand:

* Model:

* Serial:

* Part Number:

SEARCH

**Can't Find Part or
Manual? Request Help
by Manufacturer,
Model & Description**

Parts Order Form

Please fill in the following information to help us find the right part for your machine.

Manufacturer:

Model:

Description:

Quantity:

Part Number:

Part Name:

Part Description:

Part Category:

Part Location:

Part Status:

Part Date:

Part Time:

Part Cost:

Part Price:

Part Tax:

Part Total:

Part Notes:

Part Comments:

Part Attachments:

Part Images:

Part Files:

Part Links:

Part Other:

Part Submit

Discount-Equipment.com is your online resource for quality parts & equipment.

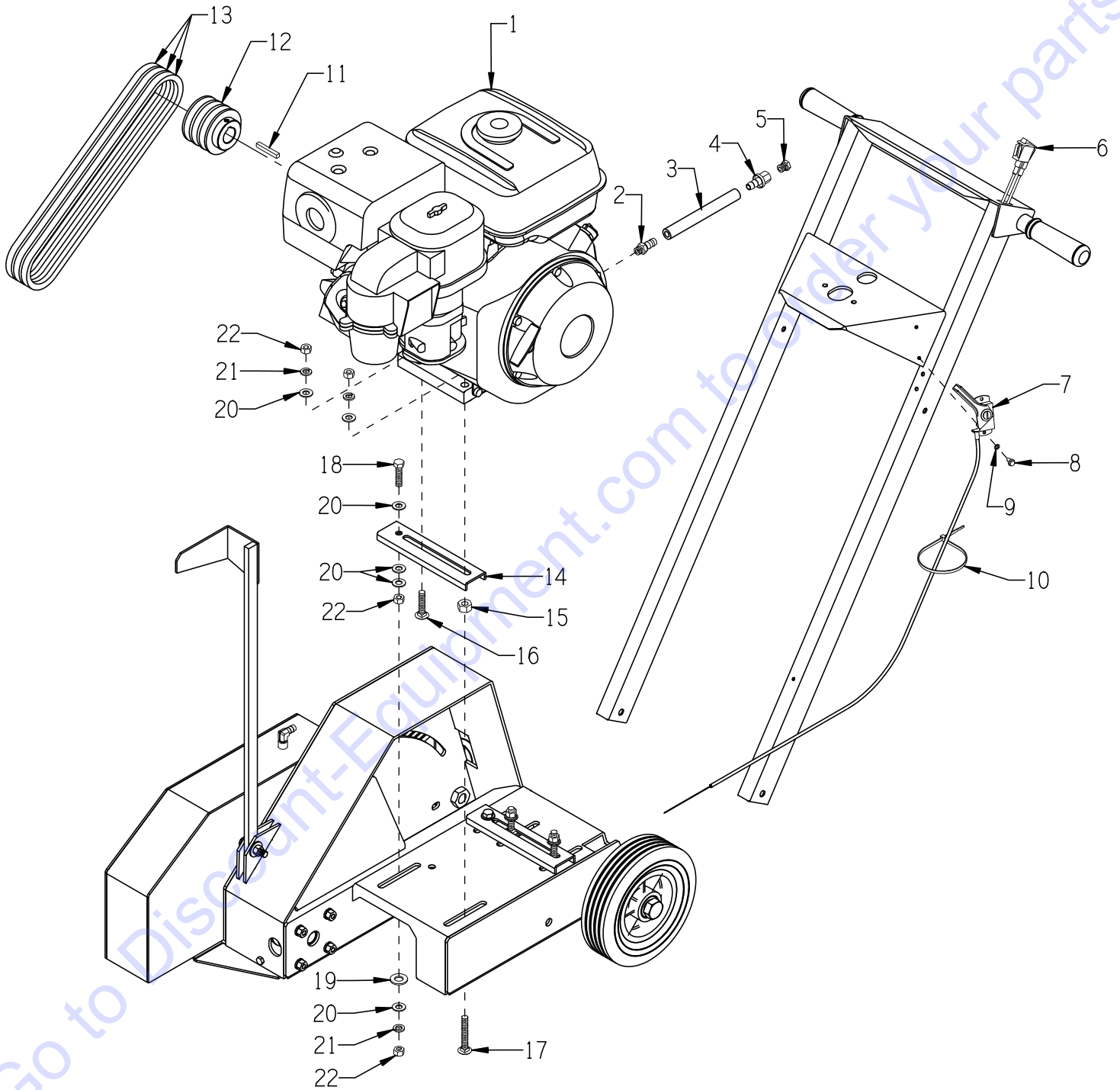
Florida: **561-964-4949** Outside Florida TOLL FREE: **877-690-3101**

Need parts?

Click on this link: <http://www.discount-equipment.com/category/5443-parts/> and choose one of the options to help get the right parts and equipment you are looking for. Please have the machine model and serial number available in order to help us get you the correct parts. If you don't find the part on the website or on one of the online manuals, please fill out the request form and one of our experienced staff members will get back to you with a quote for the right part that your machine needs.

We sell worldwide for the brands: Genie, Terex, JLG, MultiQuip, Mikasa, Essick, Whiteman, Mayco, Toro Stone, Diamond Products, Generac Magnum, Airman, Haulotte, Barreto, Power Blanket, Nifty Lift, Atlas Copco, Chicago Pneumatic, Allmand, Miller Curber, Skyjack, Lull, Skytrak, Tsurumi, Husquvarna Target, Stow, Wacker, Sakai, Mi-T-M, Sullair, Basic, Dynapac, MBW, Weber, Bartell, Bennar Newman, Haulotte, Ditch Runner, Menegotti, Morrison, Contec, Buddy, Crown, Edco, Wyco, Bomag, Laymor, EZ Trench, Bil-Jax, F.S. Curtis, Gehl Pavers, Heli, Honda, ICS/PowerGrit, IHI, Partner, Imer, Clipper, MMD, Koshin, Rice, CH&E, General Equipment, Amida, Coleman, NAC, Gradall, Square Shooter, Kent, Stanley, Tamco, Toku, Hatz, Kohler, Robin, Wisconsin, Northrock, Oztec, Toker TK, Rol-Air, APT, Wylie, Ingersoll Rand / Doosan, Innovatech, Con X, Ammann, Mecalac, Makinex, Smith Surface Prep, Small Line, Wanco, Yanmar

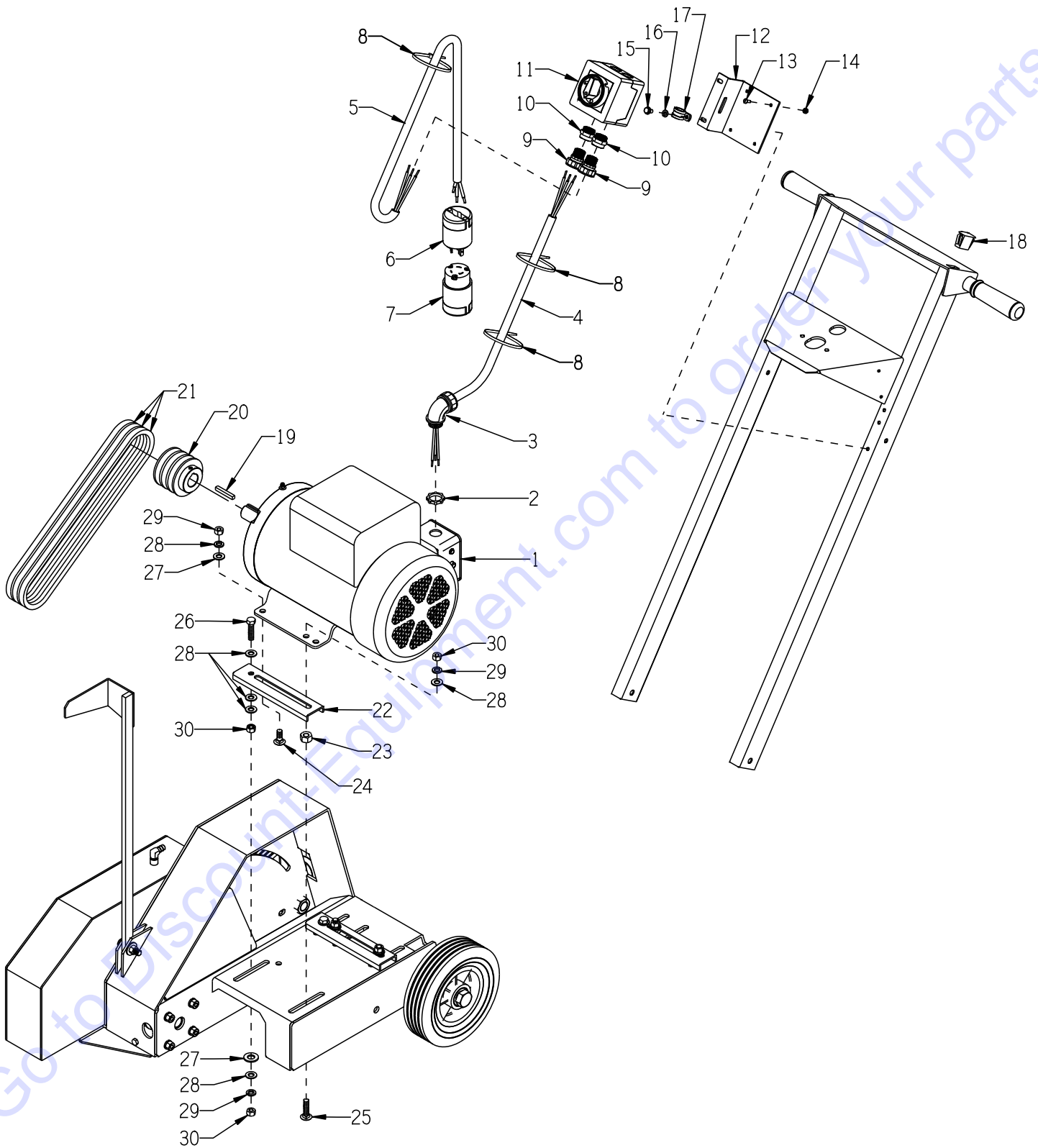
ILLUSTRATION 5: ENGINE GROUPING



PARTS LISTING - ILLUSTRATION 5: ENGINE GROUPING			
ITEM #	PART #	DESCRIPTION	QTY.
1	15029	ENGINE, HONDA GX390U1-QXC9 WITH CYCLONE AIR CLEANER	1
2	11542	BARB, PUSH-ON 3/8HOSE X M12-1.5MALE	1
3	56226	HOSE, PUSH-ON 3/8"ID X 6"L	1
4	11544	BARB, PUSH-ON 3/8 HOSE X 1/4FPT	1
5	10776	PIPE PLUG 1/4 NPT (BRASS)	1
6	15201A	SWITCH W/ WIRES, ROCKER RED ON-OFF ADDITIONAL PARTS REQ'D. (NOT SHOWN):	1
	50084	TERM., RING #10 16-14GA. INSULATED	1
	10877	SCREW, CAP STSHW 10-24 X 1/2	1
	10831	WASHER, LOCK, INT. TOOTH #10	1
	10970	CONN., WIRE QUICK-SPLICE 18-14 GA.	1
	36042	CLIP, NATURAL CORD, 1/8" X 1/4"	1
7	3611	CABLE, THROTTLE, LEVER-TYPE 54" (NOTE: TRIMMED TO 35")	1
8	10877	SCREW, CAP STSHW 10-24 X 1/2	2
9	10831	WASHER, LOCK, INT. TOOTH #10	2
10	10982	TIE, CABLE, BLACK NYLON 11-1/4"	2
11	10071	KEY 1/4SQ X 2-1/2	1
12	80027	SHEAVE 3"OD X 3GR.A X 1"BORE	1
13	81007	BELT AX-33 (1/2" x 35"OL)	3
14	81010	MOUNT BRKT., CHANNEL, SB-14	2
15	10205	NUT, HEX LOCK 1/2-20 ZINC (USED AS SPACER)	2
16	10087	BOLT, CARRIAGE 3/8-16 X 1-3/4	2
17	10335	BOLT, CARRIAGE 3/8-16 X 2-1/2 F.T.	2
18	10480	BOLT, TAP 3/8-16 X 1-1/2 (FULL THD)	2
19	10312	WASHER, FLAT 1/2 SAE ZINC	2
20	10025	WASHER, FLAT 3/8 SAE ZINC	12
21	10811	WASHER, LOCK 3/8 ZINC	6
22	10404	NUT, HEX 3/8-16 ZINC	6



ILLUSTRATION 6: SINGLE PHASE MOTOR GROUPING

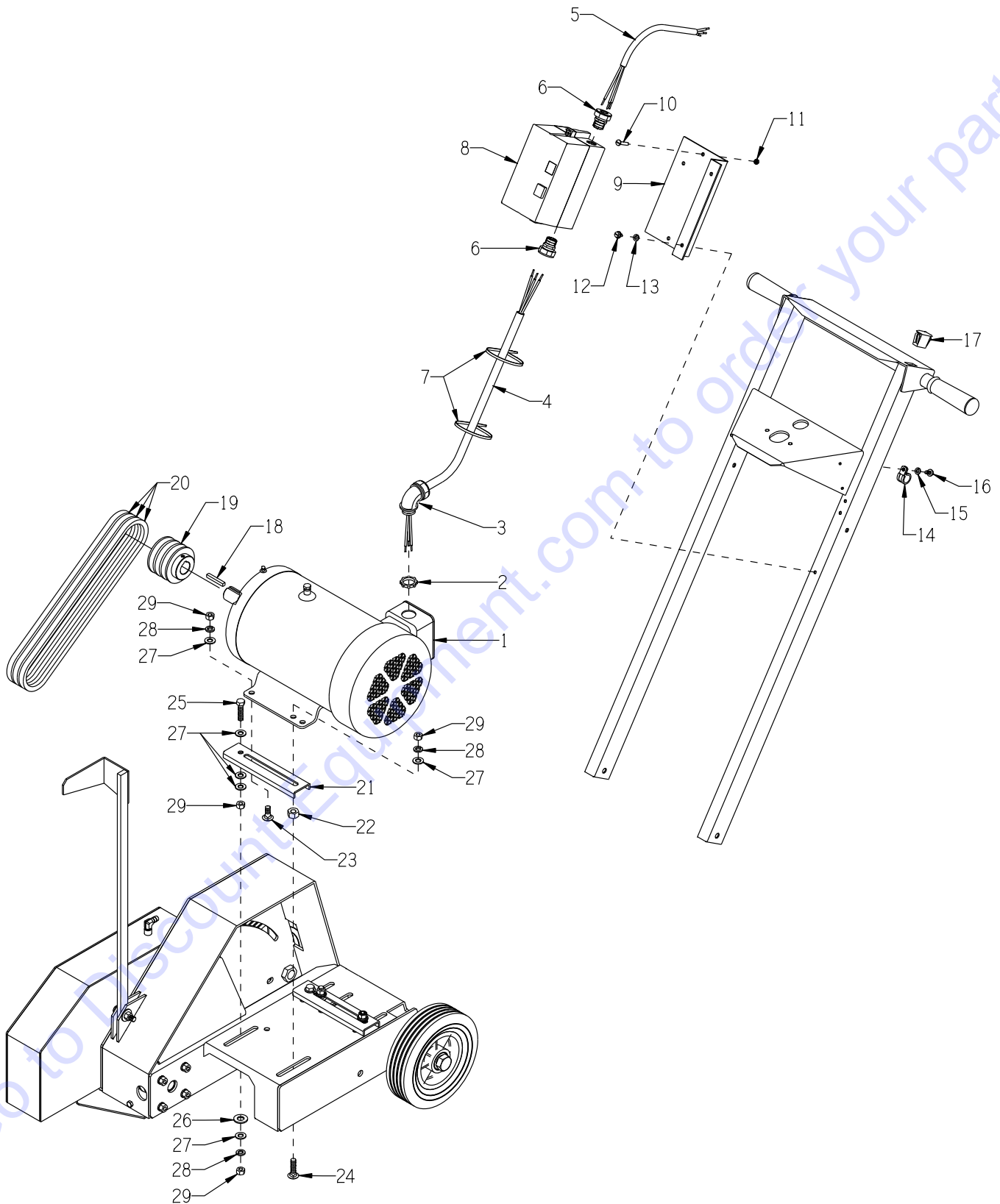


PARTS LISTING - ILLUSTRATION 6: SINGLE PHASE MOTOR GROUPING			
ITEM #	PART #	DESCRIPTION	QTY.
1	81026	MOTOR, BALDOR 5HP-1PH 60HZ 3450RPM	1
	16121	REPLACEMENT PARTS: CAPACITOR, START, BALDOR EC1161C06	2
	16164	CAPACITOR, RUN, BALDOR #OC3040F09SP	1
	16540	RESET BUTTON, BALDOR TPBRT25DB	1
2	10740	CONDUIT LOCK NUT 3/4 NP (INSIDE JUNCTION BOX)	1
3	16539	STRAIN RELIEF 90D X 3/4NPT .50-.625	1
4	81035	WIRE HARNESS 10/3 X 30"LOA	1
5	81036	WIRE HARNESS 10/3 X 40"LOA	1
6	40037	PLUG, LOCKING 20A/250V L6-20P	1
7	40000	CONNECTOR, LOCKING 20A/250V L6-20C	1
8	10982	TIE, CABLE, BLACK NYLON 11-1/4"	3
9	41130	STRAIN RELIEF 1/2NPT X .550-.650"	2
10	77043-1	SWITCH ADAPTER, PG16 TO 1/2"NPT	2
11	77043	SWITCH, ROTARY CAM ON/OFF	1
12	77042	BRACKET, ROTARY CAM SWITCH	1
13	11663	SCREW, MACHINE 8-32 X 1/2 RHCD ZINC (INSIDE SWITCH BOX)	4
14	10462	NUT, KEPS LOCK 8-32 ZINC	4
15	10846	SCREW, CAP STSHW 1/4-20 X 1/2	2
16	10038	WASHER, LOCK 1/4 ZINC	2
17	11565	CLAMP, LOOM, 5/8" (SAE SIZE 10)	4
18	15204	PLUG, RECT. HOLE, PLASTIC SNAP-IN	1
19	-----	KEY 1/4"SQ (INCLUDED WITH MOTOR)	1
20	81006	SHEAVE 3"OD X 3GR.A X 1-1/8"BORE	1
21	81007	BELT AX-33 (1/2" x 35"OL)	3
22	81010	MOUNT BRKT., CHANNEL, SB-14	2
23	10205	NUT, HEX LOCK 1/2-20 ZINC (USED AS SPACER)	2
24	10802	BOLT, CARRIAGE 3/8-16 X 1 ZINC	2
25	10804	BOLT, CARRIAGE 3/8-16 X 1-1/2 F.T.	2
26	10480	BOLT, TAP 3/8-16 X 1-1/2 (FULL THD)	2
27	10312	WASHER, FLAT 1/2 SAE ZINC	2
28	10025	WASHER, FLAT 3/8 SAE ZINC	12
29	10811	WASHER, LOCK 3/8 ZINC	6
30	10404	NUT, HEX 3/8-16 ZINC	6



A Division of Equipment Development Company, Inc.

ILLUSTRATION 7: THREE PHASE MOTOR GROUPING

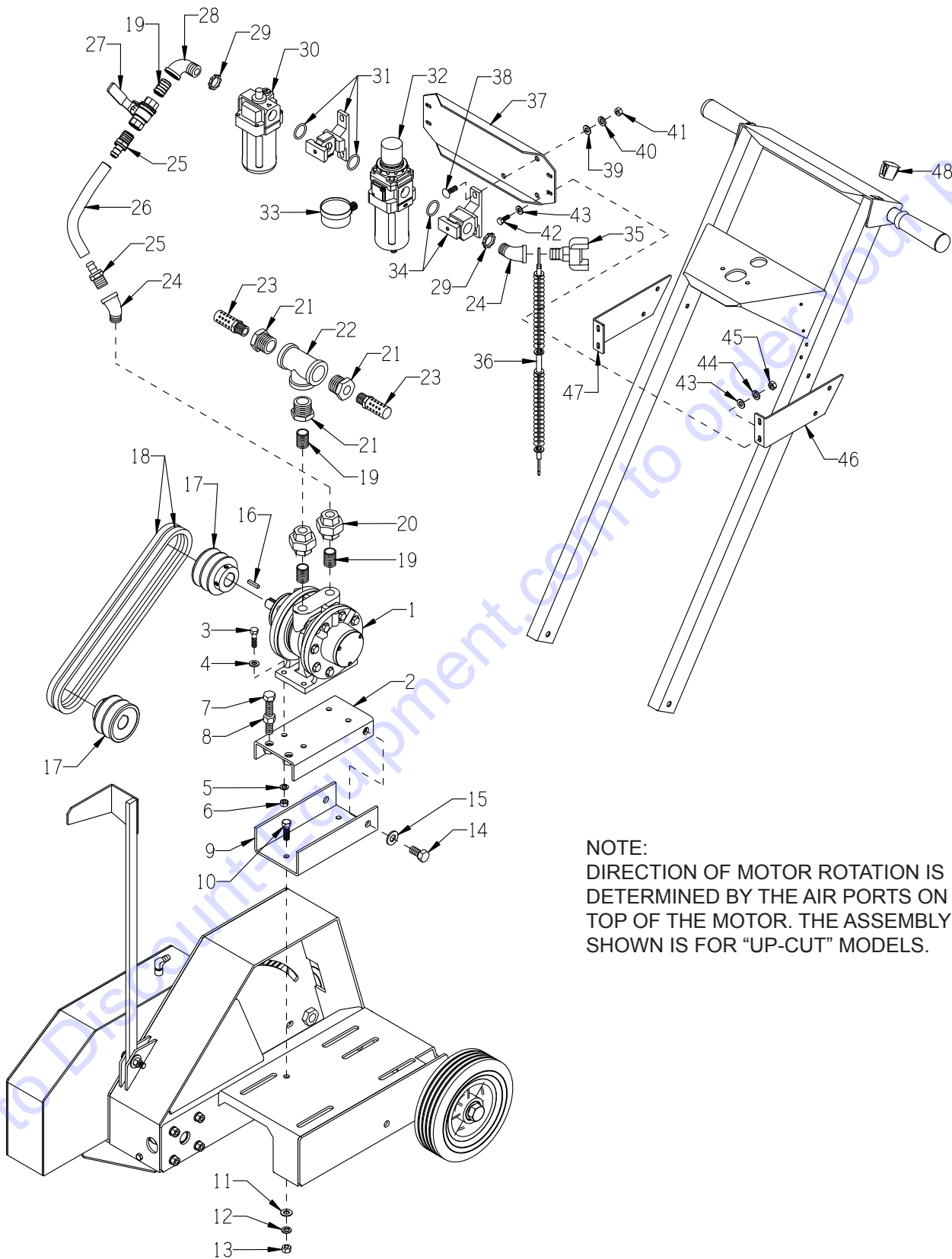


PARTS LISTING - ILLUSTRATION 7: THREE PHASE MOTOR GROUPING			
ITEM #	PART #	DESCRIPTION	QTY.
1	81022	MOTOR, BALDOR 5HP-3PH-60HZ-230/460V	1
2	10740	CONDUIT LOCK NUT 3/4 NP (INSIDE JUNCTION BOX)	1
3	16539	STRAIN RELIEF 90D X 3/4NPT .50-.625	1
4	86023	WIRE HARNESS 12/4 X 42"LOA	1
5	86022	WIRE HARNESS 12/4 X 26"LOA	1
6	41053	STRAIN RELIEF 1/2NPT X .625-.750"	2
7	10982	TIE, CABLE, BLACK NYLON 11-1/4"	2
8	16405	STARTER ACI #128841 START-STOP 200/240V COIL 11.3-16A	1
	16406	STARTER ACI 440/480V COIL 5.5-7.5A O/L	1
		REPLACEMENT PARTS:	
	16617	STARTER CONT./COIL ACI SK18.310-230	1
	16618	STARTER CONT./COIL ACI SK18.310-460	1
	16622	STARTER AC COIL 200/240V-60HZ	1
	16623	STARTER AC COIL 440/480V-60HZ	1
	16632	STARTER OVERLOAD RELAY 5.5-7.5 AMP	1
16635	STARTER OVERLOAD RELAY 11.3-16.0 AMP	1	
9	86027	MOUNTING BRKT., STARTER (ACI)	1
10	11732	SCREW, MACHINE 10-32 X 1-3/4 RHP (INSIDE STARTER)	2
	10384	SCREW, MACHINE 10-32 X 1 RHP (INSIDE STARTER)	1
11	10832	NUT, KEPS LOCK 10-32 ZINC	2
12	10846	SCREW, CAP STSHW 1/4-20 X 1/2	2
13	10038	WASHER, LOCK 1/4 ZINC	2
14	11565	CLAMP, LOOM, 5/8" (SAE SIZE 10)	1
15	10831	WASHER, LOCK, INT. TOOTH #10	1
16	10877	SCREW, CAP STSHW 10-24 X 1/2	1
17	15204	PLUG, RECT. HOLE, PLASTIC SNAP-IN	1
18	-----	KEY 1/4"SQ (INCLUDED WITH MOTOR)	1
19	81006	SHEAVE 3"OD X 3GR.A X 1-1/8"BORE	1
20	81007	BELT AX-33 (1/2" X 35"OL)	3
21	81010	MOUNT BRKT., CHANNEL, SB-14	2
22	10205	NUT, HEX LOCK 1/2-20 ZINC (USED AS SPACER)	2
23	10802	BOLT, CARRIAGE 3/8-16 X 1 ZINC	2
24	10804	BOLT, CARRIAGE 3/8-16 X 1-1/2 F.T.	2
25	10480	BOLT, TAP 3/8-16 X 1-1/2 (FULL THD)	2
26	10312	WASHER, FLAT 1/2 SAE ZINC	2
27	10025	WASHER, FLAT 3/8 SAE ZINC	12
28	10811	WASHER, LOCK 3/8 ZINC	6
29	10404	NUT, HEX 3/8-16 ZINC	6



A Division of Equipment Development Company, Inc.

ILLUSTRATION 8: AIR MOTOR GROUPING



NOTE:
 DIRECTION OF MOTOR ROTATION IS
 DETERMINED BY THE AIR PORTS ON
 TOP OF THE MOTOR. THE ASSEMBLY
 SHOWN IS FOR "UP-CUT" MODELS.

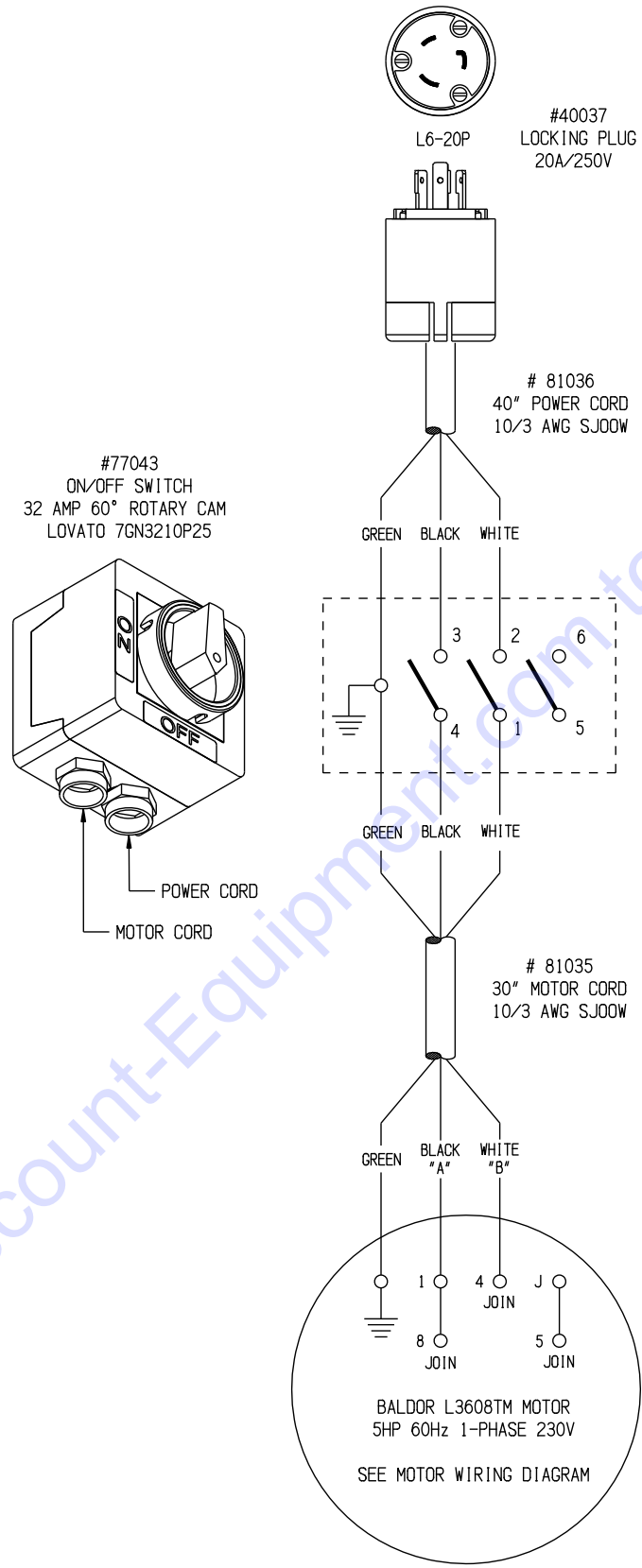
PARTS LISTING - ILLUSTRATION 8: AIR MOTOR GROUPING

ITEM	PART #	DESCRIPTION	QTY.	ITEM	PART #	DESCRIPTION	QTY.
1	80050	MOTOR, GAST AIR 5 HP 8AM-FRV-2B	1	26	80063	HOSE, PUSH-ON 1/2"ID X 6-1/2"L	1
2	80065	MOUNT, AIR MOTOR, ASB-14	1	27	10711	VALVE, BALL 1/2 FPT	1
3	10606	SCREW, CAP 5/16-18 X 1-1/4	4	28	10724	ELBOW, STREET 1/2NPT X 90	1
4	10213	WASHER, FLAT 5/16 SAE ZINC	4	29	10790	CONDUIT LOCK NUT 1/2 NP	2
5	10801	WASHER, LOCK 5/16 ZINC	4	30	80071	LUBRICATOR, 1/2 NPT SMC AL40-N04-Z	1
6	10054	NUT, HEX 5/16-18 ZINC	4	31	80072	BRACKET, T-TYPE, SMC Y40T (INCLUDES 2 O-RINGS)	1
7	10340	BOLT, TAP 1/2-13 X 3 (FULL THREAD)	2	32	80070	FILTER/REG., 1/2NPT SMC AW40-N04H-Z	1
8	10417	NUT, HEX 1/2-13 ZINC	2	33	C90207	GAUGE, AIR PRESSURE, SIDE STEM	1
9	80066	BRACKET, MOTOR MOUNT	1	34	80073	BRACKET, PIPING ADAPTOR, T-TYPE, SMC E40T-N04 (INCLUDES O-RING)	1
10	10309	SCREW, CAP 3/8-24 X 1-1/4	3	35	80075	COUPLER, AIR HOSE, 1/2 MPT	1
11	10025	WASHER, FLAT 3/8 SAE ZINC	3	36	63040	CABLE, WHIPCHEK SAFETY 1/8 X 20-1/4	1
12	10811	WASHER, LOCK 3/8 ZINC	3	37	80074	BRACKET, F.R.L. MOUNTING	1
13	10014	NUT, HEX 3/8-24 ZINC	3	38	10819	BOLT, CARRIAGE 5/16-18 X 1	4
14	10914	SCREW, CAP 1/2-13 X 1	2	39	10213	WASHER, FLAT 5/16 SAE ZINC	4
15	10312	WASHER, FLAT 1/2 SAE ZINC	2	40	10801	WASHER, LOCK 5/16 ZINC	4
16	-----	KEY 3/16 X 1 (INCLUDED W/ MOTOR)	1	41	10054	NUT, HEX 5/16-18 ZINC	4
17	80016	SHEAVE 3"OD X 2GR.B X 3/4B	2	42	10018	SCREW, CAP 1/4-20 X 3/4	4
18	10251	BELT B-34 (21/32" x 37"OL)	2	43	10602	WASHER, FLAT 1/4 SAE ZINC	8
19	10728	PIPE NIPPLE, CLOSE 1/2NPT	4	44	10038	WASHER, LOCK 1/4 ZINC	4
20	80060	PIPE UNION 1/2 NPT (GALV.)	2	45	10013	NUT, HEX 1/4-20 ZINC	4
21	80057	BUSHING, HEX 1 X 1/2 NPT (GALV.)	3	46	80077	MOUNTING BRKT., FRL LEFT SIDE	1
22	80056	PIPE TEE, FEMALE 1"NPT (GALV.)	1	47	80076	MOUNTING BRKT., FRL RIGHT SIDE	1
23	80055	MUFFLER, AIR MOTOR, 1/2NPT MALE	2	48	15204	PLUG, RECT. HOLE, PLASTIC SNAP-IN	1
24	10734	ELBOW, STREET 1/2NPT X 45	1				
25	80061	BARB, PUSH-ON 1/2HOSE X 1/2MPT	2				



A Division of Equipment Development Company, Inc.

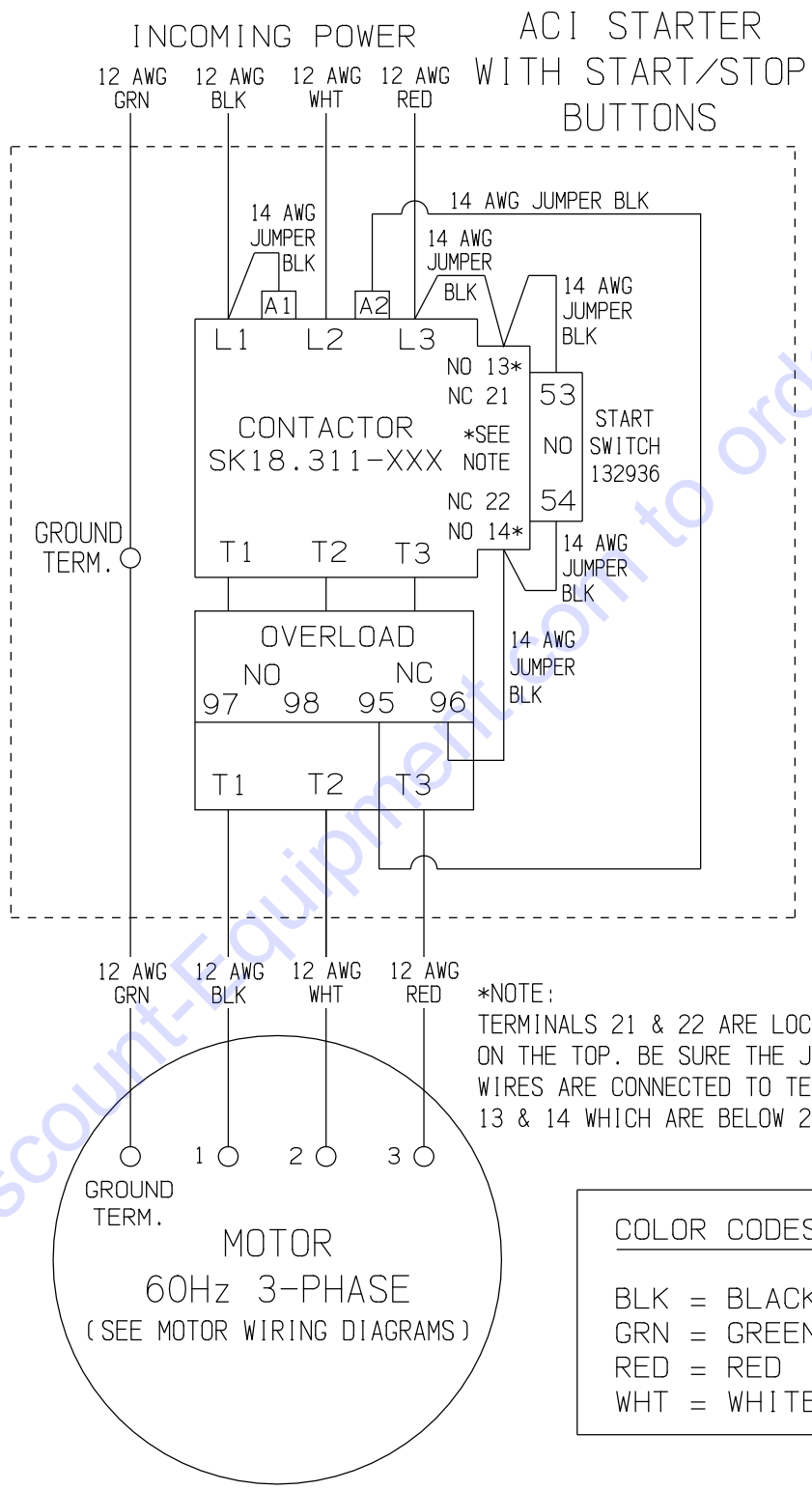
WIRING DIAGRAM FOR ROTARY SWITCH



Go to Discount-Equipment.com to order your parts

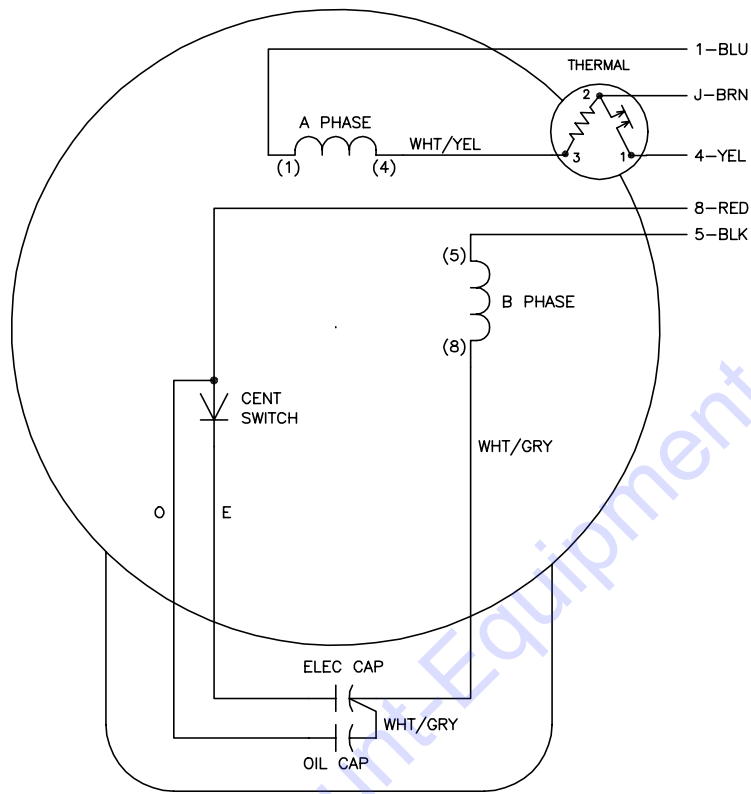
WIRING DIAGRAM FOR STARTER

60HZ 3-PHASE 230/460V



WIRING DIAGRAM FOR 1 PHASE 60Hz MOTOR BALDOR CAT. NO. L3608TM

CD0002A02



	LINE A	LINE B	JOIN
STD	1,8	4	J,5
OPP	1,5	4	J,8

NOTES:

1. STANDARD ROTATION IS CCW FACING END OPPOSITE SHAFT EXTENSION.
2. MULTIPLE CAPACITORS ARE CONNECTED IN PARALLEL UNLESS OTHERWISE SPECIFIED.
3. LEAD COLORS ARE OPTIONAL. LEADS MUST ALWAYS BE NUMBERED AS SHOWN.

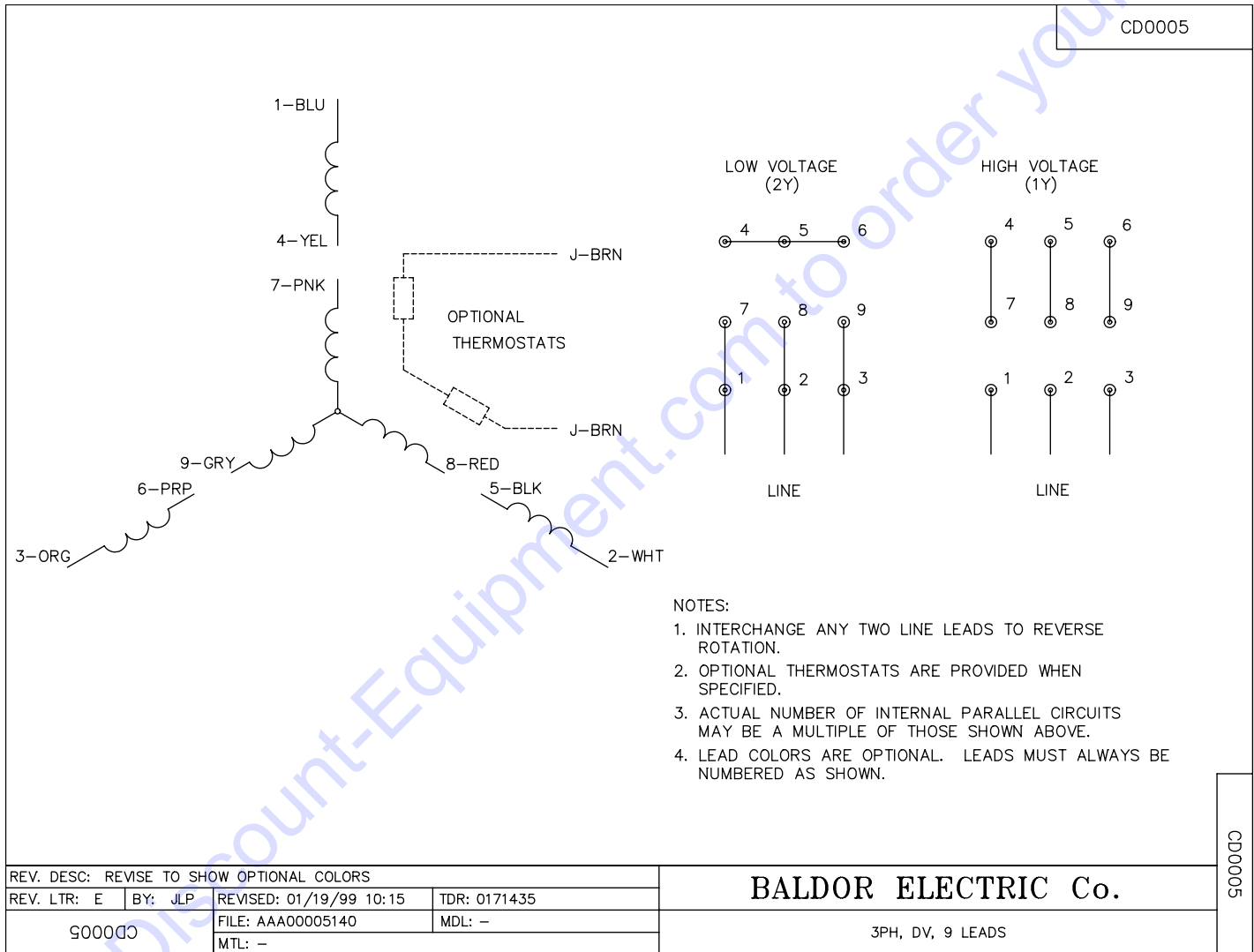
REV. DESC: REMOVE 2-TERMINAL THERMAL DETAIL, SEE CD0002A04		
REV. LTR: D	VERSION: 01	TDR: 000000360649
Z0VZ0000C	FILE: \AAA\00007\520	REVISED: 17:11:40 04/15/2005
	MTL: -	BY: ENJOEPO

BALDOR ELECTRIC Co.

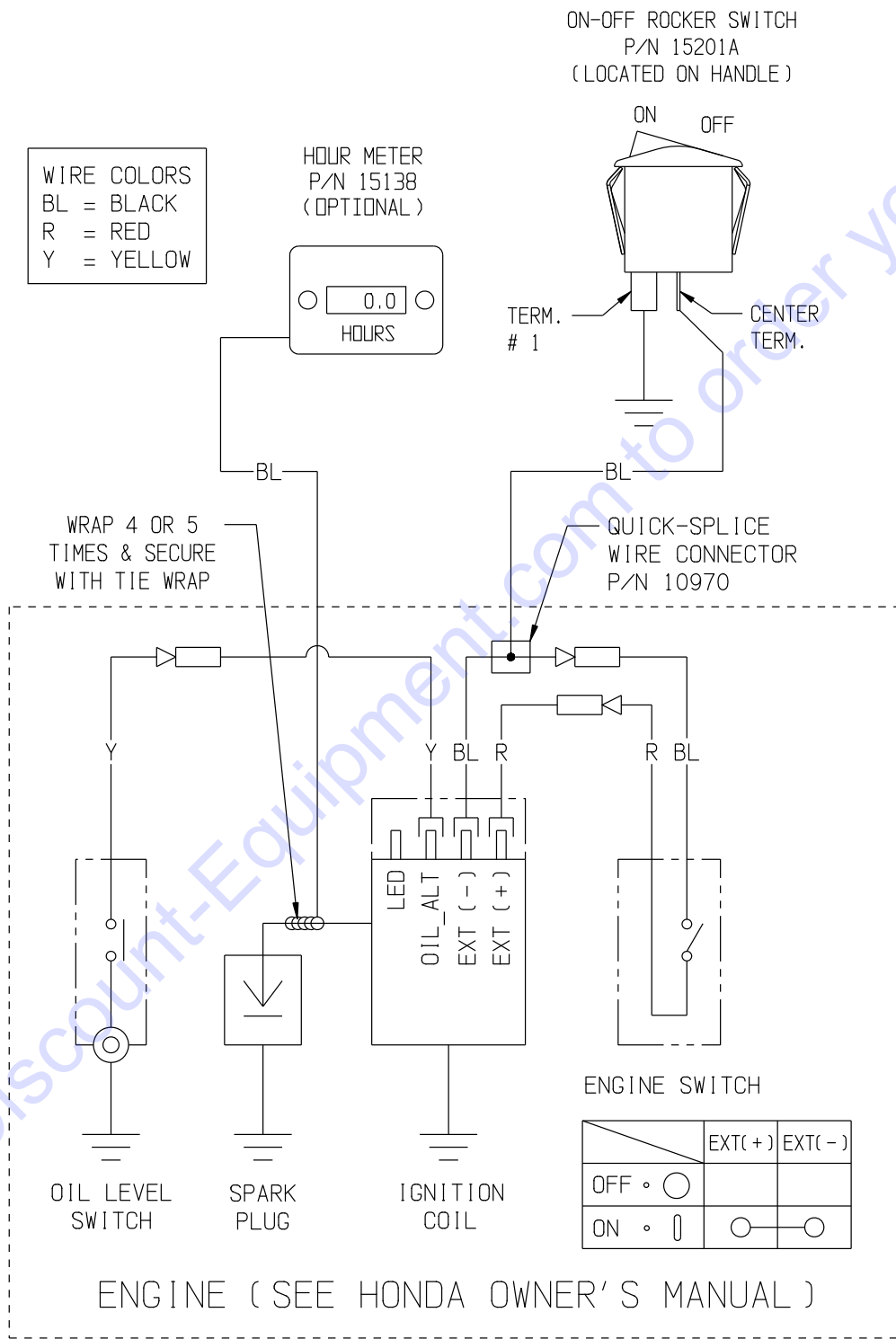
TYPE LC, SV, REV, THERMAL, 5 LEADS

CD0002A02

**WIRING DIAGRAM FOR 3 PHASE 60Hz MOTOR
BALDOR CAT. NO. EM3613T**



WIRING DIAGRAM FOR HONDA ENGINE



PARTS FINDER

**Search Website
by Part Number**



**Search Manual
Library For Parts
Manual & Lookup Part
Numbers – Purchase
or Request Quote**

Search Manuals

Enter your information to help us find the right parts manual for your machine.

* Brand:

* Model:

* Serial:

* Part Number:

SEARCH

**Can't Find Part or
Manual? Request Help
by Manufacturer,
Model & Description**

Parts Order Form

Please fill in the following information to help us find the right part for your machine.

Manufacturer:	<input type="text"/>
Model:	<input type="text"/>
Description:	<input type="text"/>
Part Number:	<input type="text"/>
Quantity:	<input type="text"/>
Notes:	<input type="text"/>

Submit

Discount-Equipment.com is your online resource for quality parts & equipment.

Florida: **561-964-4949** Outside Florida TOLL FREE: **877-690-3101**

Need parts?

Click on this link: <http://www.discount-equipment.com/category/5443-parts/> and choose one of the options to help get the right parts and equipment you are looking for. Please have the machine model and serial number available in order to help us get you the correct parts. If you don't find the part on the website or on one of the online manuals, please fill out the request form and one of our experienced staff members will get back to you with a quote for the right part that your machine needs.

We sell worldwide for the brands: Genie, Terex, JLG, MultiQuip, Mikasa, Essick, Whiteman, Mayco, Toro Stone, Diamond Products, Generac Magnum, Airman, Haulotte, Barreto, Power Blanket, Nifty Lift, Atlas Copco, Chicago Pneumatic, Allmand, Miller Curber, Skyjack, Lull, Skytrak, Tsurumi, Husquvarna Target, Stow, Wacker, Sakai, Mi-T-M, Sullair, Basic, Dynapac, MBW, Weber, Bartell, Bennar Newman, Haulotte, Ditch Runner, Menegotti, Morrison, Contec, Buddy, Crown, Edco, Wyco, Bomag, Laymor, EZ Trench, Bil-Jax, F.S. Curtis, Gehl Pavers, Heli, Honda, ICS/PowerGrit, IHI, Partner, Imer, Clipper, MMD, Koshin, Rice, CH&E, General Equipment, Amida, Coleman, NAC, Gradall, Square Shooter, Kent, Stanley, Tamco, Toku, Hatz, Kohler, Robin, Wisconsin, Northrock, Oztec, Toker TK, Rol-Air, APT, Wylie, Ingersoll Rand / Doosan, Innovatech, Con X, Ammann, Mecalac, Makinex, Smith Surface Prep, Small Line, Wanco, Yanmar