

REVISED STARTING  
SERIAL # 161110444



## PARTS LIST MANUAL MODEL BB14G



SHOWN WITH OPTIONAL PROCART

### 14" GASOLINE POWERED MASONRY SAWS

SKU #	MODEL #	POWER OPTION
26300	BB14G-5.5H	HONDA GX160 W/ CYCLONE AIR CLEANER
26400	BB14G-6.5H	HONDA GX200 W/ CYCLONE AIR CLEANER
26500	BB14G-9H	HONDA GX270 W/ CYCLONE AIR CLEANER



# PARTS FINDER

**Search Website  
by Part Number**



**Search Manual  
Library For Parts  
Manual & Lookup Part  
Numbers – Purchase  
or Request Quote**

**Search Manuals**

Enter your information to help us find the right parts manual for your machine.

\* Brand:

\* Model:

\* Serial:

\* Part Number:

SEARCH

**Can't Find Part or  
Manual? Request Help  
by Manufacturer,  
Model & Description**

**Parts Order Form**

Please fill in the following information to help us find the right part for your machine.

Manufacturer:	<input type="text"/>
Model:	<input type="text"/>
Description:	<input type="text"/>
Part Number:	<input type="text"/>
Quantity:	<input type="text"/>
Notes:	<input type="text"/>

REQUEST HELP

Discount-Equipment.com is your online resource for quality parts & equipment.

Florida: **561-964-4949** Outside Florida TOLL FREE: **877-690-3101**

**Need parts?**

Click on this link: <http://www.discount-equipment.com/category/5443-parts/> and choose one of the options to help get the right parts and equipment you are looking for. Please have the machine model and serial number available in order to help us get you the correct parts. If you don't find the part on the website or on one of the online manuals, please fill out the request form and one of our experienced staff members will get back to you with a quote for the right part that your machine needs.

We sell worldwide for the brands: Genie, Terex, JLG, MultiQuip, Mikasa, Essick, Whiteman, Mayco, Toro Stone, Diamond Products, Generac Magnum, Airman, Haulotte, Barreto, Power Blanket, Nifty Lift, Atlas Copco, Chicago Pneumatic, Allmand, Miller Curber, Skyjack, Lull, Skytrak, Tsurumi, Husquvarna Target, Stow, Wacker, Sakai, Mi-T-M, Sullair, Basic, Dynapac, MBW, Weber, Bartell, Bennar Newman, Haulotte, Ditch Runner, Menegotti, Morrison, Contec, Buddy, Crown, Edco, Wyco, Bomag, Laymor, EZ Trench, Bil-Jax, F.S. Curtis, Gehl Pavers, Heli, Honda, ICS/PowerGrit, IHI, Partner, Imer, Clipper, MMD, Koshin, Rice, CH&E, General Equipment, Amida, Coleman, NAC, Gradall, Square Shooter, Kent, Stanley, Tamco, Toku, Hatz, Kohler, Robin, Wisconsin, Northrock, Oztec, Toker TK, Rol-Air, APT, Wylie, Ingersoll Rand / Doosan, Innovatech, Con X, Ammann, Mecalac, Makinex, Smith Surface Prep, Small Line, Wanco, Yanmar

## READ AND UNDERSTAND THE OPERATORS INSTRUCTION MANUAL *THOROUGHLY* BEFORE ATTEMPTING TO OPERATE THIS EQUIPMENT.



**Death or serious injury could occur if this machine is used improperly.**



### SAFETY MESSAGES

- Safety Instructions are preceded by a graphic alert symbol of DANGER, WARNING, or CAUTION.



Indicates an imminent hazard which, if not avoided, will result in death or serious injury.



Indicates an imminent hazard which, if not avoided, can result in death or serious injury.



Indicates hazards which, if not avoided, could result in serious injury and or damage to the equipment.

### GASOLINE/PROPANE POWERED EQUIPMENT



- Engine exhaust from this product contains chemicals known to the State of California to cause cancer, birth defects or other reproductive harm.



- Gasoline is extremely flammable and poisonous. It should only be dispensed in well ventilated areas, and with a cool engine.

- Small gasoline engines produce high concentrations of carbon monoxide (CO) example: a 5 HP 4 cycle engine operation in an enclosed 100,000 cu. ft. area with only one change of air per hour is capable of providing deadly concentrations of CO in less than fifteen minutes. Five changes of air in the same area will produce noxious fumes in less than 30 minutes. Gasoline or propane powered equipment should not be used in enclosed or partially enclosed areas. Symptoms of CO poisoning include, headache, nausea, weakness, dizziness, visual problems and loss of consciousness. If symptoms occur - get into fresh air and seek medical attention immediately.

### ELECTRICAL POWERED EQUIPMENT



Extreme care must be taken when operating electric models with water present: Ensure power cord is properly grounded, is attached to a Ground-Fault-Interrupter (GFI) outlet, and is undamaged.

- Check all electrical cables - be sure connections are tight and cable is continuous and in good condition. Be sure cable is correctly rated for both the operating current and voltage of this equipment.
- Improper connection of the equipment-grounding conductor can result in a risk of electric shock. Check with qualified electrician or service person if there is any doubt as to whether the outlet is properly grounded. Adhere to all local codes and ordinances.
- **NOTE:** In the event of a malfunction or breakdown, grounding provides a path of least resistance for the electric current to dissipate. The motor is equipped with a grounded plug and must be connected to an outlet that is properly installed and properly grounded. **DO NOT** modify the plug provided on the motor. If the plug does not fit the outlet have a qualified electrician install the proper receptacle.
- Switch motor OFF before disconnecting power.

- Do not disconnect power by pulling cord. To disconnect, grasp the plug, not the cord.
- Unplug power cord at the machine when not in use and before servicing.

### GENERAL INSTRUCTIONS

- Equipment should only be operated by trained personnel in good physical condition and mental health (not fatigued). The operator and maintenance personnel must be physically able to handle the bulk weight and power of this equipment.
- This is a one person tool. Maintain a safe operating distance to other personnel. It is the operators' responsibility to keep other people (workers, pedestrians, bystanders, etc.) away during operation. Block off the work area in all directions with roping, safety netting, etc. for a safe distance. Failure to do so may result in others being injured by flying debris or exposing them to harmful dust and noise.
- This equipment is intended for commercial use only.
- For the operator's safety and the safety of others, always keep all guards in place during operation.
- Never let equipment run unattended.



- Personal Protection Equipment and proper safety attire must be worn when operating this machinery. The operator must wear approved safety equipment appropriate for the job such as hard hat and safety shoes when conditions require. Hearing protection **MUST** be used (operational noise levels of this equipment may exceed 85db). Eye protection **MUST** be worn at all times.



Keep body parts and loose clothing away from moving parts. Failure to do so could result in dismemberment or death.

- Do not modify the machine.
- Stop motor/engine when adjusting or servicing this equipment.



Maintain a safe operating distance from flammable materials. Sparks from the cutting-action of this machine can ignite flammable materials or vapors.

### DUST WARNING



Some dust created by power sanding, sawing, grinding, drilling, and other construction activities contains chemicals known to cause cancer, birth defects, or other reproductive harm. Some examples of these chemicals are:

- Lead from lead-based paints, and
- Crystalline silica from bricks and concrete and other masonry products.

Your risk of exposure to these chemicals varies depending on how often you do this type of work. To reduce your risk: work in a well ventilated area, use a dust control system, such as an industrial-style vacuum, and wear approved personal safety equipment, such as a dust/particle respirator designed to filter out microscopic particles.

# PARTS LIST MANUAL

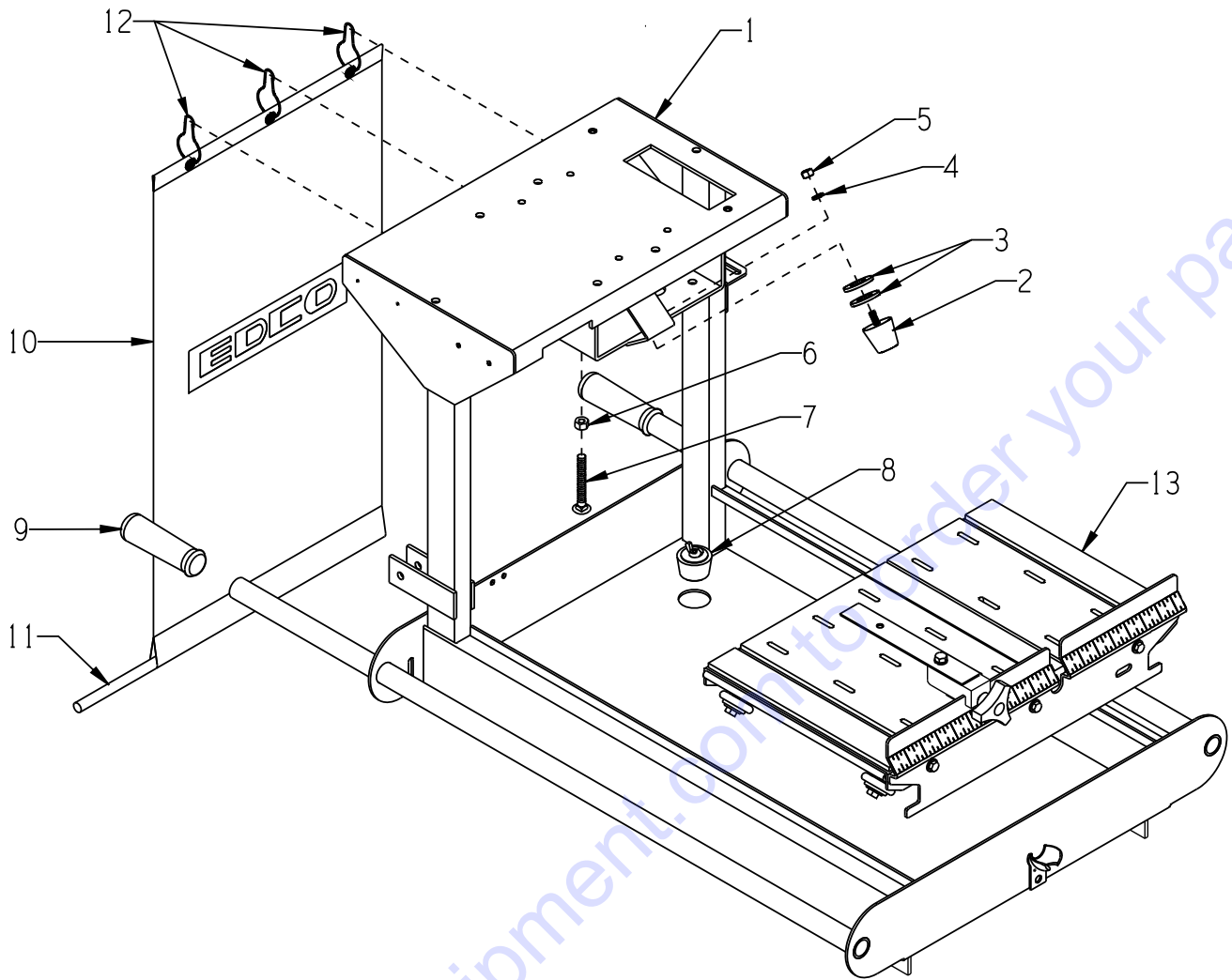
## MODEL BB14G

### 14" GASOLINE POWERED MASONRY SAWS

#### TABLE OF CONTENTS

<u>Section</u>	<u>Page Number</u>
Safety Messages & General Instructions . . . . .	2
How To Order Replacement Parts . . . . .	3
Illustration 1: Pan Grouping . . . . .	4
Illustration 2: Rolling Table Assembly . . . . .	5
Illustration 3: Arbor, Deck & Jackshaft Grouping . . . . .	6
Illustration 4: Arbor Assembly . . . . .	7
Illustration 5: Arbor Height Locking Bar Grouping . . . . .	8
Illustration 6: Gas Spring Grouping . . . . .	9
Illustration 7: Belt Drive Grouping . . . . .	10, 11
Illustration 8: Engine Grouping for Honda GX160 & GX200 . . . . .	12, 13
Illustration 9: Engine Grouping for Honda GX270 . . . . .	14, 15
Illustration 10: Blade Guard Grouping . . . . .	16, 17
Illustration 11: Water Pump & Filter Grouping . . . . .	18, 19
Illustration 12: Water Pump Assembly . . . . .	20
Illustration 13: Optional Stand & Foot Pedal Assembly . . . . .	21
Illustration 14: Optional "Tote-A-Saw" Transport Wheels . . . . .	22
Decal Sheet . . . . .	23
Limited Equipment Warranty of Sale - Terms & Conditions . . . . .	24 - Back Page

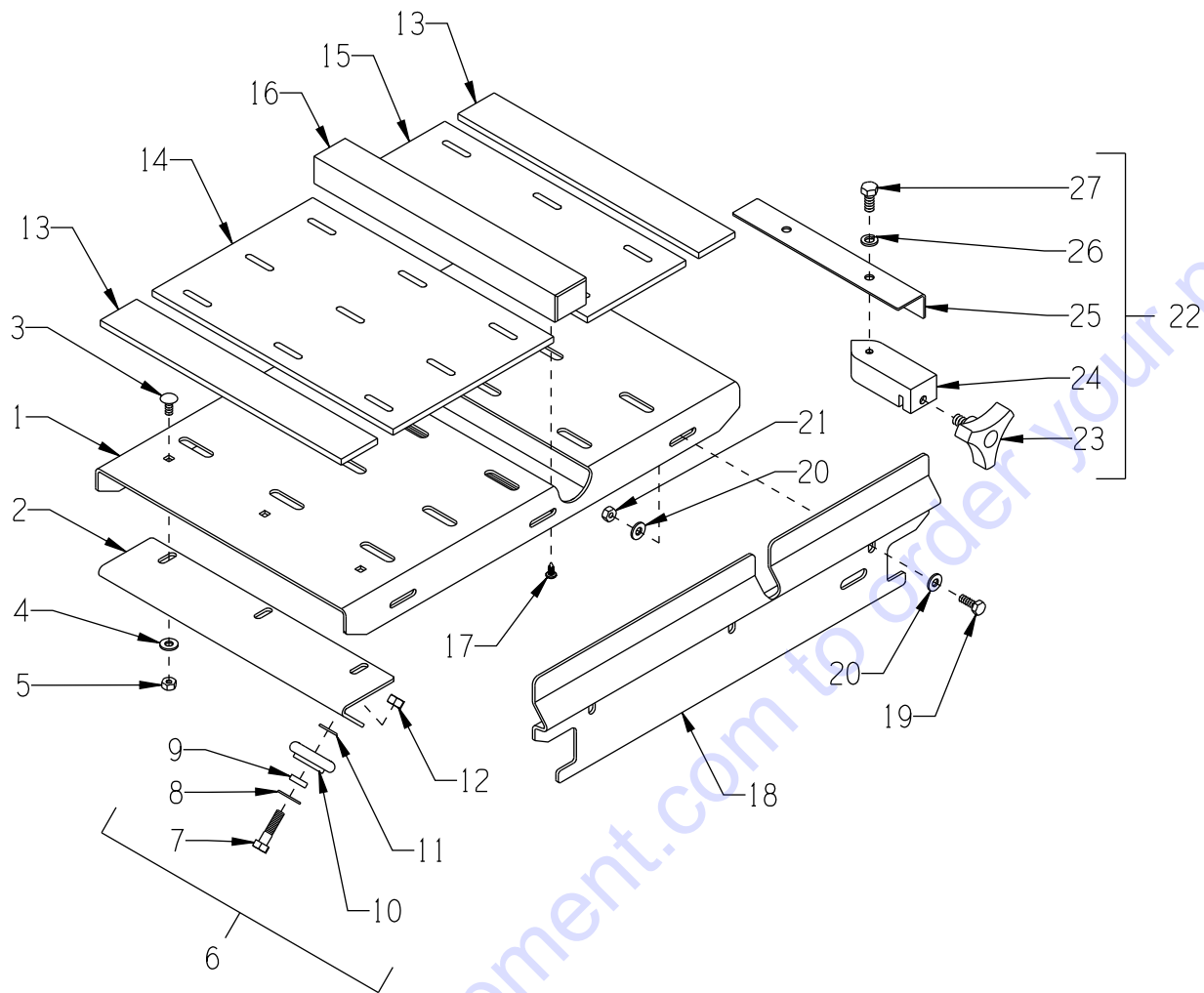
**ILLUSTRATION 1: PAN GROUPING**



ITEM #	PART #	DESCRIPTION	QTY.
1	40680	PAN/ENGINE DECK WELDMENT, BB14G	1
2	10931	MOUNT, TAPERED RUBBER 5/16-18	1
3	10009	WASHER, FLAT 3/4 SAE ZINC	2
4	10801	WASHER, LOCK 5/16 ZINC	1
5	10054	NUT, HEX 5/16-18 ZINC	1
6	10404	NUT, HEX 3/8-16 ZINC	1
7	10909	BOLT, CARRIAGE 3/8-16 X 3 ZINC	1
8	40378	STOPPER ASSEMBLY 1-1/2"	1
9	10608	GRIP, HAND 1" MODEL AT	2
10	40375	CURTAIN 15" X 28" W/ LOGO	1
11	40377	CURTAIN ROD 1/2"DIA. X 13"L	1
12	40376	HOOK, CURTAIN	3
13	40675A	TABLE COMPLETE, ROLLING (SEE ILLUS. 2 FOR BREAKDOWN )	1

## ILLUSTRATION 2: ROLLING TABLE ASSEMBLY

E-BB14G-PL-1116

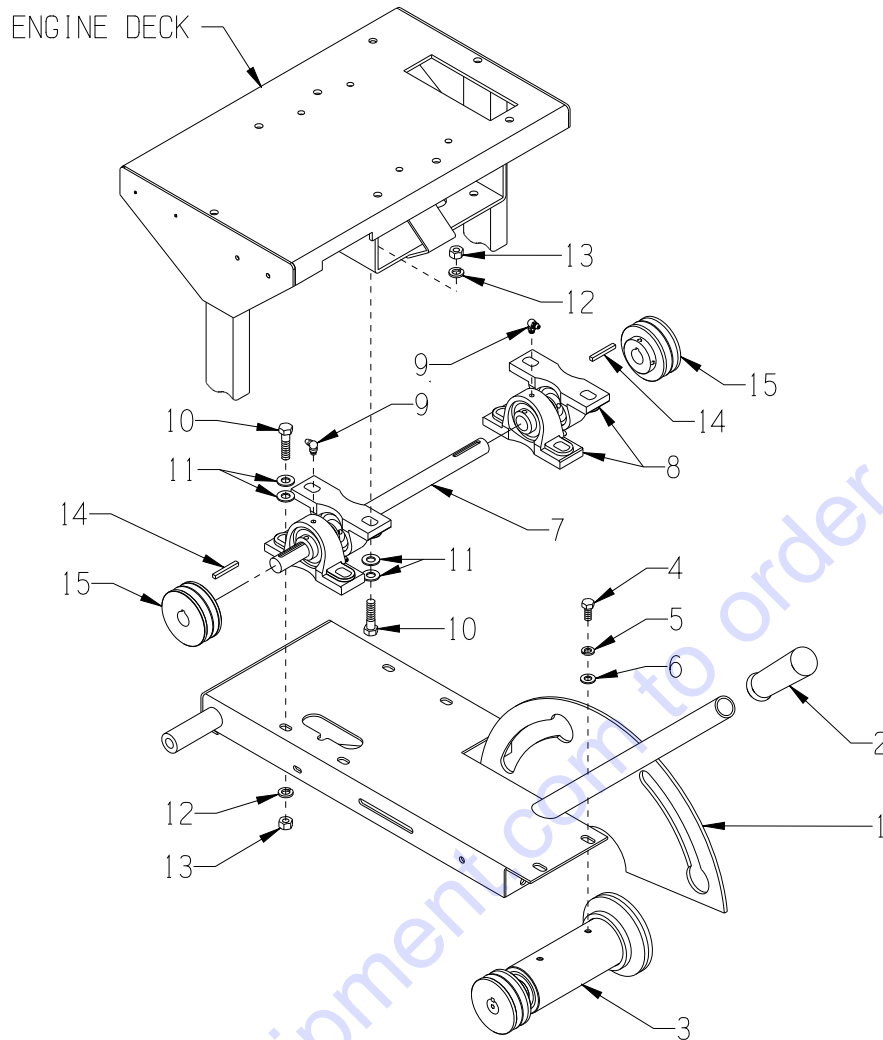


### ROLLING TABLE COMPLETE - PART # 40675A

ITEM #	PART #	DESCRIPTION	QTY.	ITEM #	PART #	DESCRIPTION	QTY.
1	40675	TABLE, ROLLING	1	14	40676	RUBBER PAD 11-5/8 X 7-3/4	1
2	40674	BRACKET, R.T. TRACK WHEEL	1	15	40677	RUBBER PAD 11-5/8 X 4-3/4	1
3	11799	BOLT, CARR. 1/4-20 X 5/8 GRADE 5	3	16	40678	WOODEN CUT BLOCK	1
4	10602	WASHER, FLAT 1/4 SAE ZINC	3	17	10858	SCREW, SHEET METAL #10 X 1/2	2
5	10861	NUT, KEPS LOCK 1/4-20 ZINC	3	18	40603	TABLE FRONT PANEL, ROLL	1
6	40605K 40605WK	WHEEL KIT, ONE (ITEMS 7 THRU 12) WHEEL KIT, COMPLETE SET OF 4	4 1	19	10018	SCREW, CAP 1/4-20 X 3/4	3
7	10606	SCREW, CAP 5/16-18 X 1-1/4	4	20	10602	WASHER, FLAT 1/4 SAE ZINC	6
8	40667	WASHER, FLAT 5/16" X .688"OD	4	21	10861	NUT, KEPS LOCK 1/4-20 ZINC	3
9	40668	SPACER, STEEL 5/8OD X .328ID X .180	4	22	40689A	GUIDE ASSY., CUT, UNIVERSAL (INCLUDES ITEMS 23 THRU 27)	1
10	40605A	WHEEL W/ BRG., ROLL TABLE	4	23	40425	KNOB, 3-PRONG W/ 3/8-16 X 5/8 STUD	1
11	36928	WASHER, FLAT 1/4 USS (3/4"OD)	4	24	42015	BLOCK, CUT GUIDE	1
12	10151	NUT, HEX NYLON LOCK 5/16-18	4	25	40689	BRACKET, CUT GUIDE	1
13	40679	RUBBER PAD 11-5/8 X 1-3/4	2	26	10801	WASHER, LOCK 5/16 ZINC	1
				27	10053	SCREW, CAP 5/16-18 X 3/4	1

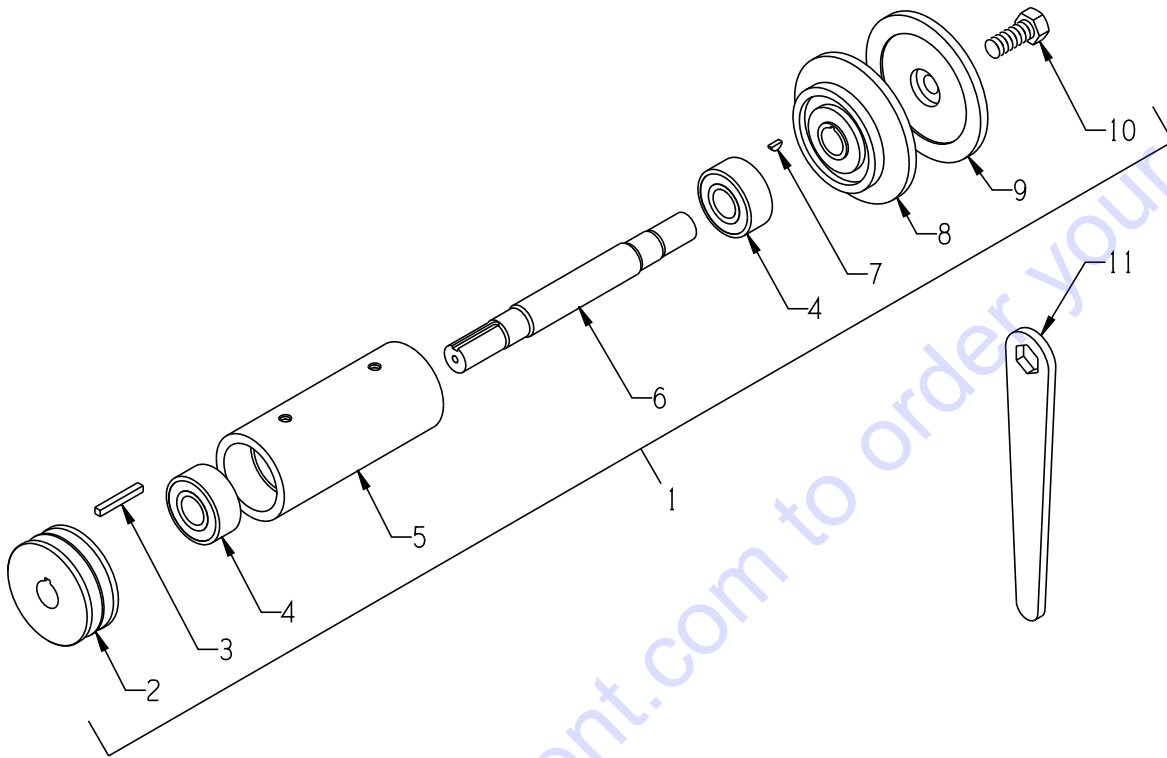


## ILLUSTRATION 3: ARBOR, DECK & JACKSHAFT GROUPING



ITEM #	PART #	DESCRIPTION	QTY.
1	40606-1	DECK, ARBOR, BB-14G	1
2	10608	GRIP, HAND 1" MODEL AT	1
3	40670A	ARBOR ASSY. W/ 2.75" 2GR.3V SHEAVE (REFER TO ILLUS. 4 FOR BREAKDOWN)	1
4	10048	SCREW, CAP 5/16-24 X 3/4	4
5	10801	WASHER, LOCK 5/16 ZINC	4
6	10213	WASHER, FLAT 5/16 SAE ZINC	2
7	40618	SHAFT, JACK 3/4 X 13-1/2"L, BB14G	1
8	40629	BEARING, BALL 3/4"B, BB14G	4
9	10961	FITTING, GREASE 1/4-28 X 90°	4
10	10816	SCREW, CAP 3/8-24 X 1-1/2	8
11	10025	WASHER, FLAT 3/8 SAE ZINC	16
12	10811	WASHER, LOCK 3/8 ZINC	8
13	10014	NUT, HEX 3/8-24 ZINC	8
14	10060	KEY 3/16SQ X 1-1/4	2
15	40694	SHEAVE 2.75"OD X 2GR.3V X 3/4"BORE	2

## ILLUSTRATION 4: ARBOR ASSEMBLY

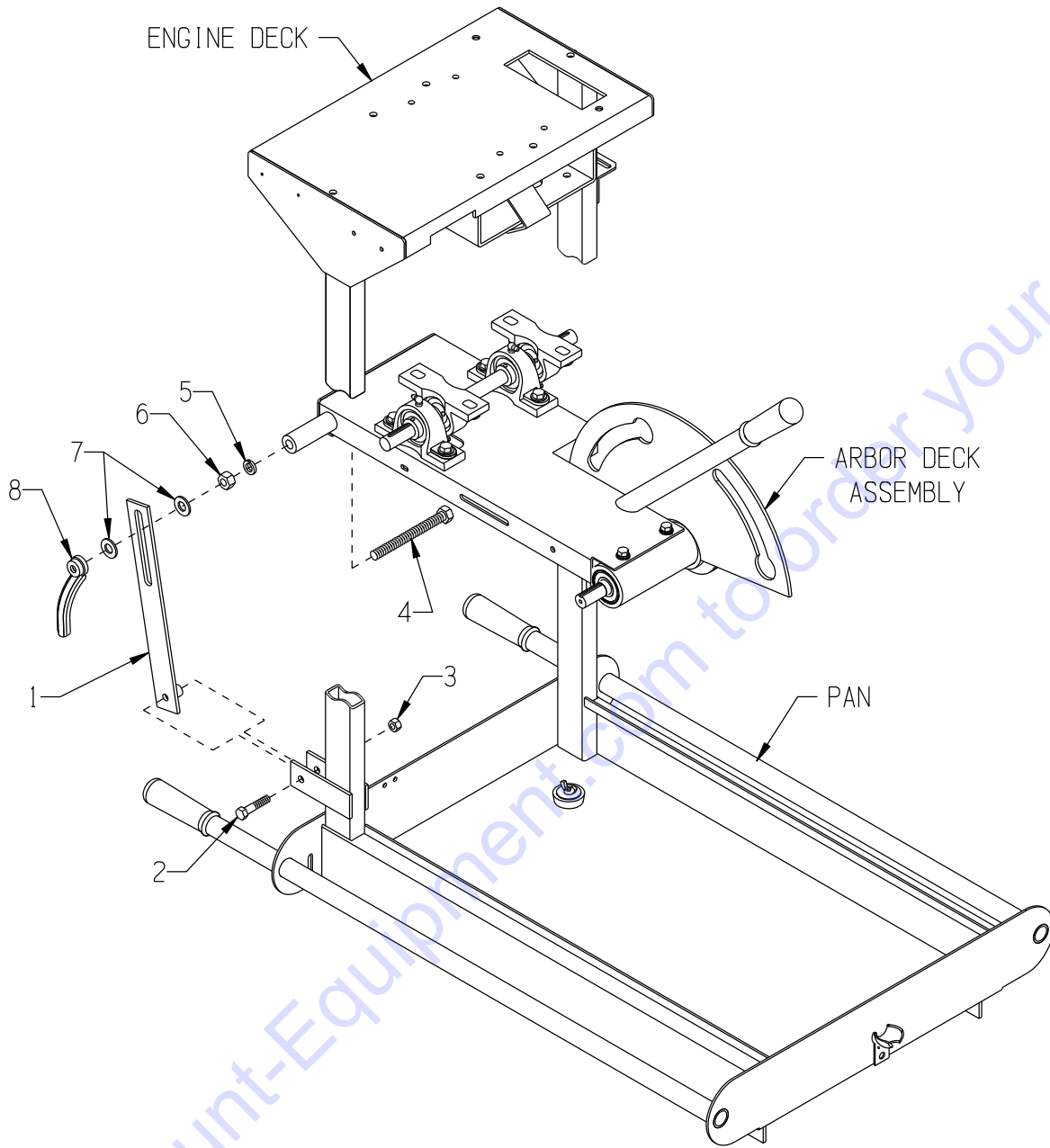


### ARBOR ASSEMBLY WITH SHEAVE - PART # 40670A

ITEM #	PART #	DESCRIPTION	QTY.
1	40670A	ARBOR ASSY. W/ 2GR-3V SHEAVE (INCLUDES ITEMS 2 THRU 10)	1
2	40694	SHEAVE 2.75"OD X 2GR.3V X 3/4"BORE	1
3	10016	KEY 3/16 SQ X 1-1/2	1
4	40018	BEARING, RADIAL BALL 20X47X20.6MM	2
5	40607	ARBOR HOUSING	1
6	40608	ARBOR SHAFT	1
7	40036	KEY, WOODRUFF 1/8 X 3/8 (#403)	1
8	40022	ARBOR BACKING PLATE 4"	1
9	40023	ARBOR BLADE CAP 4"	1
10	10321	SCREW, CAP 1/2-20 X 1-1/4	1
11	53021	WRENCH, ARBOR, 3/4" BOX END	1



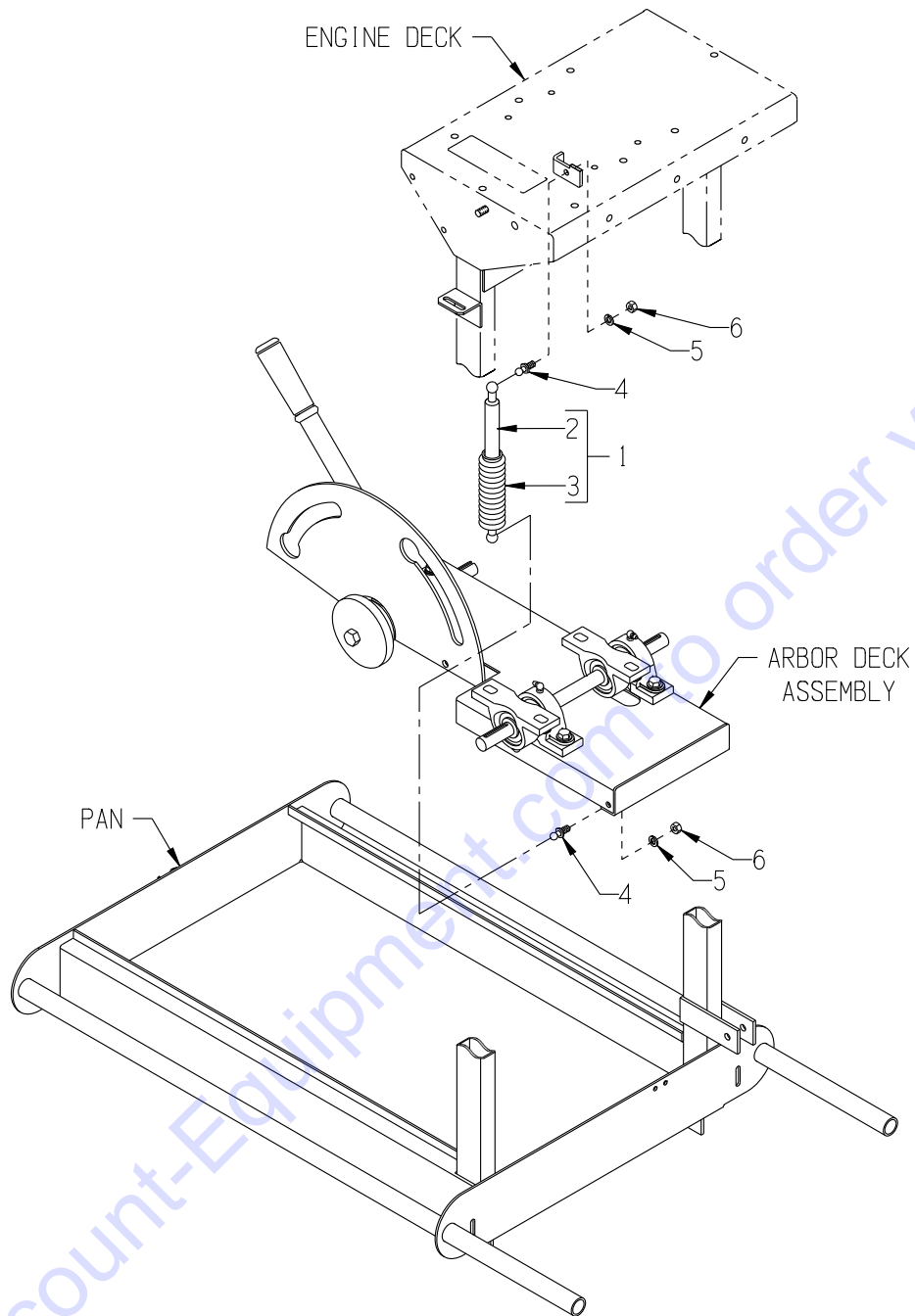
## ILLUSTRATION 5: ARBOR HEIGHT LOCKING BAR GROUPING



ITEM #	PART #	DESCRIPTION	QTY.
1	40609	LOCKING BAR, ARBOR HEIGHT	1
2	10029	SCREW, CAP 3/8-24 X 1-3/4	1
3	10004	NUT, HEX LOCK 3/8-24 ZINC	1
4	10373	BOLT, TAP 1/2-13 X 5 (FULL THREAD)	1
5	10045	WASHER, LOCK 1/2 ZINC	1
6	10417	NUT, HEX 1/2-13 ZINC	1
7	10312	WASHER, FLAT 1/2 SAE ZINC	2
8	40358	NUT, TAIL HANDLE 1/2-13	1

# ILLUSTRATION 6: GAS SPRING GROUPING

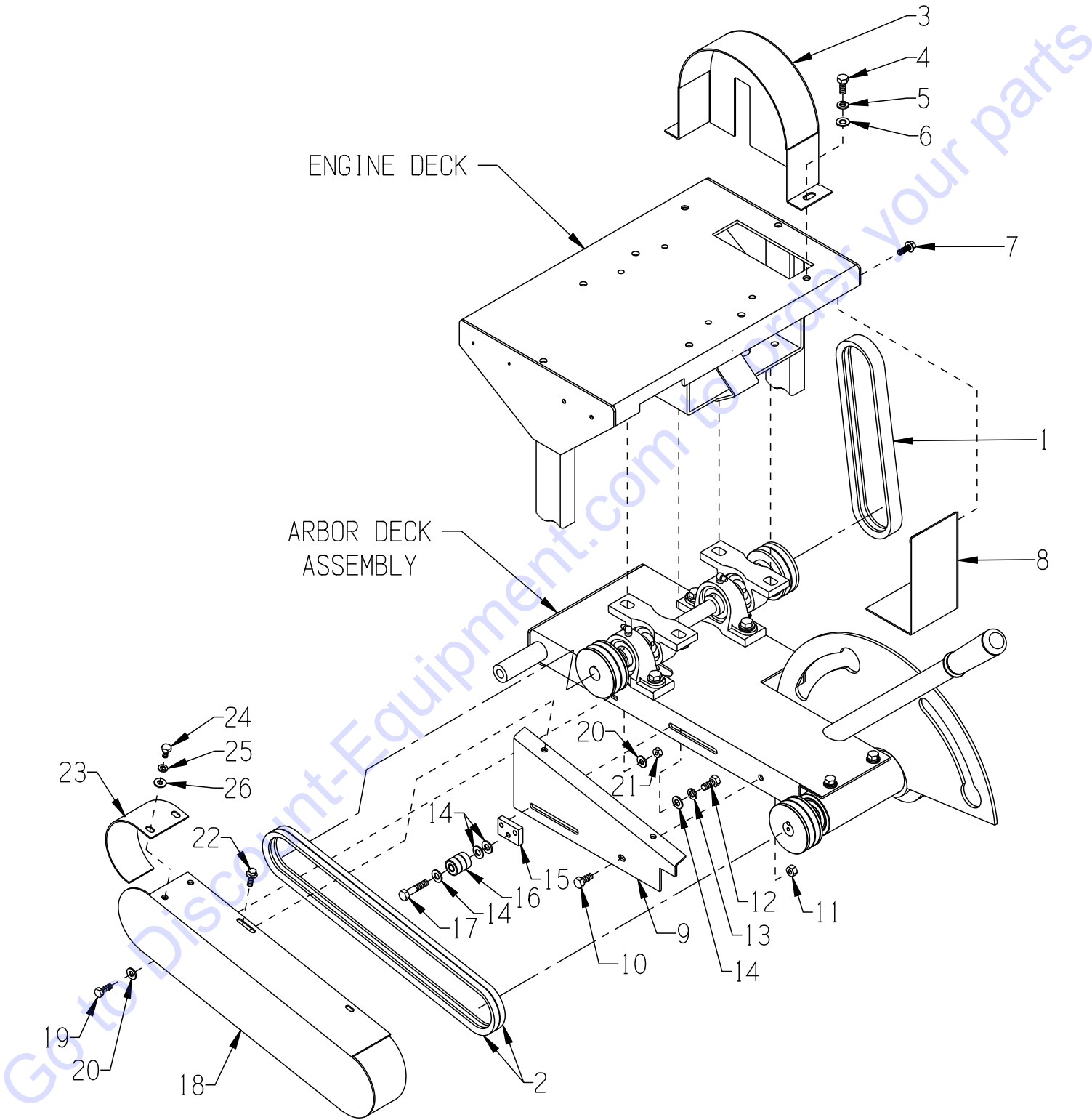
E-BB14G-PL-1116



ITEM #	PART #	DESCRIPTION	QTY.
1	43010	SPRING ASSEMBLY, GAS (COMPLETE)	1
2	43007	SPRING, GAS	1
3	43008	BELLOWS, GAS SPRING (DUST BOOT)	1
	10982	TIE, CABLE, BLACK NYLON 11-1/4" (NOT SHOWN)	2
4	43011	STUD, 10MM BALL, 5/16-18 X .662	2
5	10801	WASHER, LOCK 5/16 ZINC	2
6	10054	NUT, HEX 5/16-18 ZINC	2



**ILLUSTRATION 7: BELT DRIVE GROUPING**



# PARTS FINDER

**Search Website  
by Part Number**



**Search Manual  
Library For Parts  
Manual & Lookup Part  
Numbers – Purchase  
or Request Quote**

**Search Manuals**

Enter your information to help us find the right parts manual for your machine.

\* Brand:

\* Model:

\* Serial:

\* Part Number:

SEARCH

**Can't Find Part or  
Manual? Request Help  
by Manufacturer,  
Model & Description**

**Parts Order Form**

Please fill in the following information to help us find the right part for your machine.

Manufacturer:	<input type="text"/>
Model:	<input type="text"/>
Description:	<input type="text"/>
Part Number:	<input type="text"/>
Quantity:	<input type="text"/>
Notes:	<input type="text"/>

Submit

Discount-Equipment.com is your online resource for quality parts & equipment.

Florida: **561-964-4949** Outside Florida TOLL FREE: **877-690-3101**

**Need parts?**

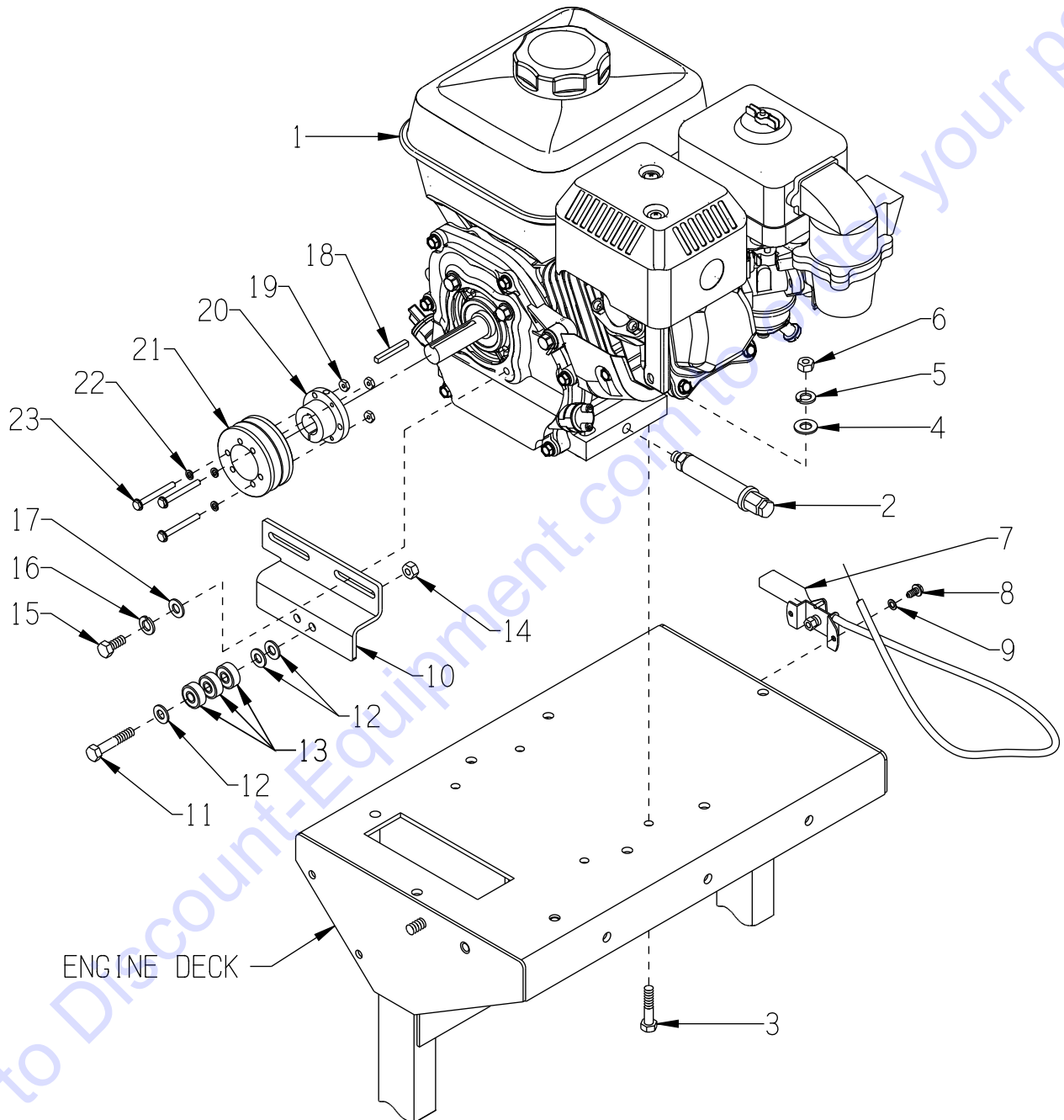
Click on this link: <http://www.discount-equipment.com/category/5443-parts/> and choose one of the options to help get the right parts and equipment you are looking for. Please have the machine model and serial number available in order to help us get you the correct parts. If you don't find the part on the website or on one of the online manuals, please fill out the request form and one of our experienced staff members will get back to you with a quote for the right part that your machine needs.

We sell worldwide for the brands: Genie, Terex, JLG, MultiQuip, Mikasa, Essick, Whiteman, Mayco, Toro Stone, Diamond Products, Generac Magnum, Airman, Haulotte, Barreto, Power Blanket, Nifty Lift, Atlas Copco, Chicago Pneumatic, Allmand, Miller Curber, Skyjack, Lull, Skytrak, Tsurumi, Husquvarna Target, Stow, Wacker, Sakai, Mi-T-M, Sullair, Basic, Dynapac, MBW, Weber, Bartell, Bennar Newman, Haulotte, Ditch Runner, Menegotti, Morrison, Contec, Buddy, Crown, Edco, Wyco, Bomag, Laymor, EZ Trench, Bil-Jax, F.S. Curtis, Gehl Pavers, Heli, Honda, ICS/PowerGrit, IHI, Partner, Imer, Clipper, MMD, Koshin, Rice, CH&E, General Equipment, Amida, Coleman, NAC, Gradall, Square Shooter, Kent, Stanley, Tamco, Toku, Hatz, Kohler, Robin, Wisconsin, Northrock, Oztec, Toker TK, Rol-Air, APT, Wylie, Ingersoll Rand / Doosan, Innovatech, Con X, Ammann, Mecalac, Makinex, Smith Surface Prep, Small Line, Wanco, Yanmar

**PARTS LISTING - ILLUSTRATION 7: BELT DRIVE GROUPING**

ITEM #	PART #	DESCRIPTION	QTY.
1	40697-2	BANDED BELT: 2/3VX265 (HONDA GX160 & GX200)	1
	53022-2	2/3VX280 (HONDA GX270)	1
2	10258	BELT 3VX-375	2
3	40681	COVER, ENGINE BELT, BB14 GAS	1
4	10053	SCREW, CAP 5/16-18 X 3/4	2
5	10801	WASHER, LOCK 5/16 ZINC	2
6	10213	WASHER, FLAT 5/16 SAE ZINC	2
7	11811	BOLT, FLANGE 1/4-20 X 3/4 ZINC	2
8	40682	COVER, JACKSHAFT SHEAVE, BB14 GAS	1
9	40613	MOUNTING BRKT., BELT COVER, BB14G	1
10	10053	SCREW, CAP 5/16-18 X 3/4	2
11	10807	NUT, HEX LOCK 5/16-18 ZINC	2
12	10053	SCREW, CAP 5/16-18 X 3/4	2
13	10801	WASHER, LOCK 5/16 ZINC	2
14	10213	WASHER, FLAT 5/16 SAE ZINC	4
15	40661	TENSIONER BAR, ARBOR BELT, BB14G	1
16	40391	BEARING, RADIAL BALL 5/16X7/8X11/32	3
17	10342	SCREW, CAP 5/16-18 X 1-1/2	1
18	40611	COVER, ARBOR BELT, BB14G	1
19	10018	SCREW, CAP 1/4-20 X 3/4	1
20	10602	WASHER, FLAT 1/4 SAE ZINC	2
21	10861	NUT, KEPS LOCK 1/4-20 ZINC	1
22	11811	BOLT, FLANGE 1/4-20 X 3/4 ZINC	2
23	40612	COVER END CAP, ARBOR BELT, BB14G	1
24	10834	SCREW, CAP 1/4-20 X 1/2 ZINC	2
25	10038	WASHER, LOCK 1/4 ZINC	2
26	10602	WASHER, FLAT 1/4 SAE ZINC	2

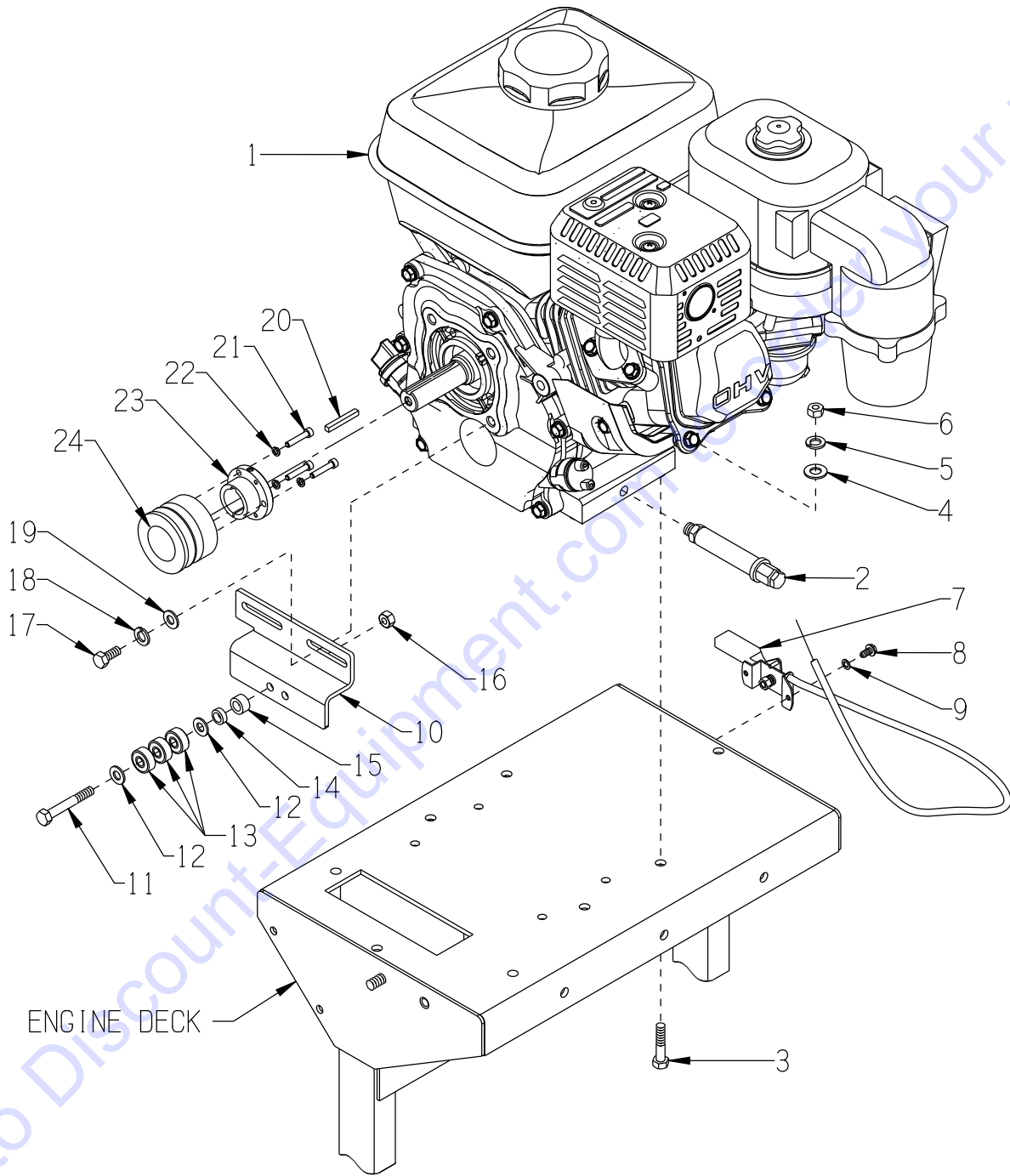
**ILLUSTRATION 8: ENGINE GROUPING  
FOR HONDA GX160 & GX200**



**PARTS LISTING - ILLUSTRATION 8:  
ENGINE GROUPING FOR HONDA GX160 & GX200**

ITEM #	PART #	DESCRIPTION	QTY.
1	40387 15048	ENGINE WITH CYCLONE AIR CLEANER HONDA GX160U1-QXC9 HONDA GX200U-QXC9	1
2	40327	OIL DRAIN KIT, 4 THRU 6.5 HP HONDA KIT INCLUDES:	1
	10776	PIPE PLUG 1/4 NPT (BRASS)	1
	11544	BARB, PUSH-ON 3/8 HOSE X 1/4FPT	1
	11541	BARB, PUSH-ON 3/8HOSEXM10-1.25MALE (ENGINE)	1
	56116	HOSE, PUSH-ON 3/8"ID X 3"L	1
3	10342	SCREW, CAP 5/16-18 X 1-1/2	4
4	10213	WASHER, FLAT 5/16 SAE ZINC	4
5	10801	WASHER, LOCK 5/16 ZINC	4
6	10054	NUT, HEX 5/16-18 ZINC	4
7	40388	CABLE, THROTTLE, LEVER-TYPE 24"	1
8	10877	SCREW, CAP STSHW 10-24 X 1/2	2
9	10831	WASHER, LOCK, INT. TOOTH #10	2
10	40658	TENSIONER BRKT., BELT, BB14G	1
11	10204	SCREW, CAP 5/16-18 X 1-3/4	1
12	10213	WASHER, FLAT 5/16 SAE ZINC	3
13	40391	BEARING, RADIAL BALL 5/16X7/8X11/32	3
14	10807	NUT, HEX LOCK 5/16-18 ZINC	1
15	10048	SCREW, CAP 5/16-24 X 3/4	2
16	10801	WASHER, LOCK 5/16 ZINC	2
17	10213	WASHER, FLAT 5/16 SAE ZINC	2
18	10016	KEY 3/16SQ X 1-1/2 (INCLUDED W/ ENGINE)	1
19	11740	NUT, KEPS LOCK 10-24 ZINC	3
20	40644	BUSHING, SHEAVE JA X 3/4"BORE	1
21	40695	SHEAVE 2.65"OD X 2GR.3V X JA	1
22	-----	WASHER, LOCK #10 (INCLUDED W/ ITEM 20)	3
23	40696	SCREW, MACHINE 10-24 X 1.75 HWHSLMS	3

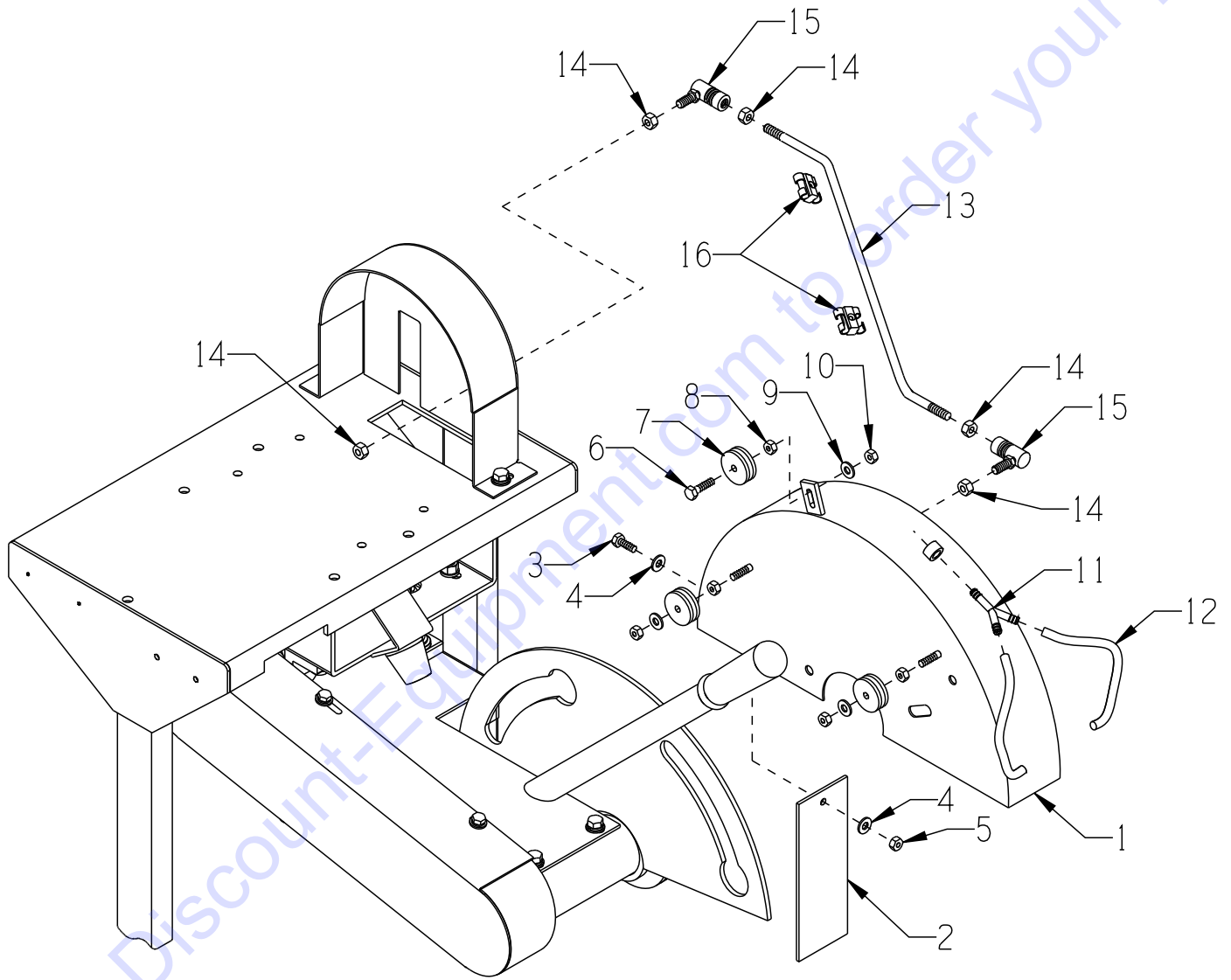
**ILLUSTRATION 9:  
ENGINE GROUPING FOR HONDA GX270**





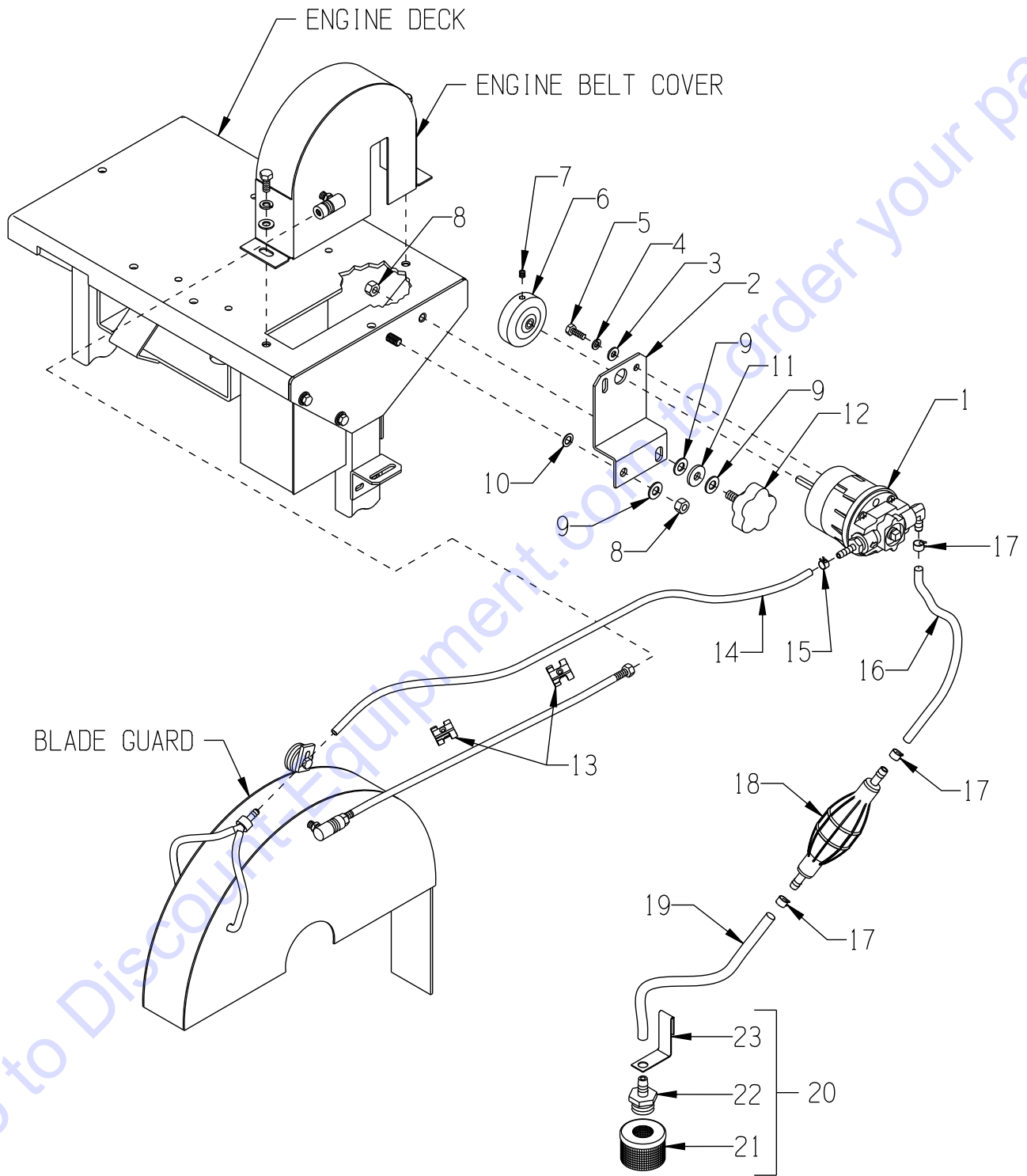
PARTS LISTING - ILLUSTRATION 9: ENGINE GROUPING FOR HONDA GX270			
ITEM #	PART #	DESCRIPTION	QTY.
1	15027	ENGINE, HONDA GX270UT2-QXC9	1
2	40328	OIL DRAIN KIT, 9/11/13 HP HONDA KIT INCLUDES:	1
	10776	PIPE PLUG 1/4 NPT (BRASS)	1
	11544	BARB, PUSH-ON 3/8 HOSE X 1/4FPT	1
	11542	BARB, PUSH-ON 3/8HOSE X M12-1.5MALE (ENGINE)	1
	56116	HOSE, PUSH-ON 3/8"ID X 3"L	1
3	10204	SCREW, CAP 5/16-18 X 1-3/4	4
4	10213	WASHER, FLAT 5/16 SAE ZINC	4
5	10801	WASHER, LOCK 5/16 ZINC	4
6	10054	NUT, HEX 5/16-18 ZINC	4
7	40388	CABLE, THROTTLE, LEVER-TYPE 24"	1
8	10877	SCREW, CAP STSHW 10-24 X 1/2	2
9	10831	WASHER, LOCK, INT. TOOTH #10	2
10	40658	TENSIONER BRKT., BELT, BB14G	1
11	10341	SCREW, CAP 5/16-18 X 2-1/4	1
12	10213	WASHER, FLAT 5/16 SAE ZINC	2
13	40391	BEARING, RADIAL BALL 5/16X7/8X11/32	3
14	10113	SPACER, STEEL 9/16OD X 3/8ID X 7/32	1
15	10011	SPACER, STEEL 5/8OD X 3/8ID X 3/8T	1
16	10807	NUT, HEX LOCK 5/16-18 ZINC	1
17	10048	SCREW, CAP 5/16-24 X 3/4	2
18	10801	WASHER, LOCK 5/16 ZINC	2
19	10213	WASHER, FLAT 5/16 SAE ZINC	1
20	10101	KEY 1/4SQ X 1-3/4 (INCLUDED W/ ENGINE)	1
21	-----	SCREW, SKT. HD. CAP 10-24 X 1 (INCLUDED W/ BUSHING, ITEM 23)	3
22	-----	WASHER, LOCK #10 (INCLUDED W/ BUSHING, ITEM 23)	3
23	10557	BUSHING, SHEAVE JA X 1"BORE	1
24	40699	SHEAVE 2.35"OD X 2GR.3V X JA	1

**ILLUSTRATION 10: BLADE GUARD GROUPING**



<b>PARTS LISTING - ILLUSTRATION 10: BLADE GUARD GROUPING</b>			
ITEM #	PART #	DESCRIPTION	QTY.
1	40615	GUARD, BLADE 14", BB14G	1
2	40012	FLAP, SPLASH 2-1/2 X 7	1
3	10018	SCREW, CAP 1/4-20 X 3/4	1
4	10602	WASHER, FLAT 1/4 SAE ZINC	2
5	10015	NUT, HEX LOCK 1/4-20 ZINC	1
6	10031	SCREW, CAP 1/4-20 X 1	3
7	40636	SLIDER GUIDE, BLADE GUARD, BB14G	3
8	10015	NUT, HEX LOCK 1/4-20 ZINC	3
9	10602	WASHER, FLAT 1/4 SAE ZINC	3
10	10150	NUT, HEX NYLON LOCK 1/4-20 ZINC	3
11	99323	BARBED FITTING, "Y" 1/4"HOSE	1
12	40654	HOSE 1/4"ID X 6"L, BB14	2
13	40616	ROD, BLADE GUARD LEVELER, BB14G	1
14	10424	NUT, HEX 5/16-24 ZINC	5
15	40617	B.J. LINKAGE, QUICK-DISC. 5/16-24	2
16	40639	STRAP, TUBE/HOSE 5/16"-3/8"	2

**ILLUSTRATION 11: WATER PUMP & FILTER GROUPING**

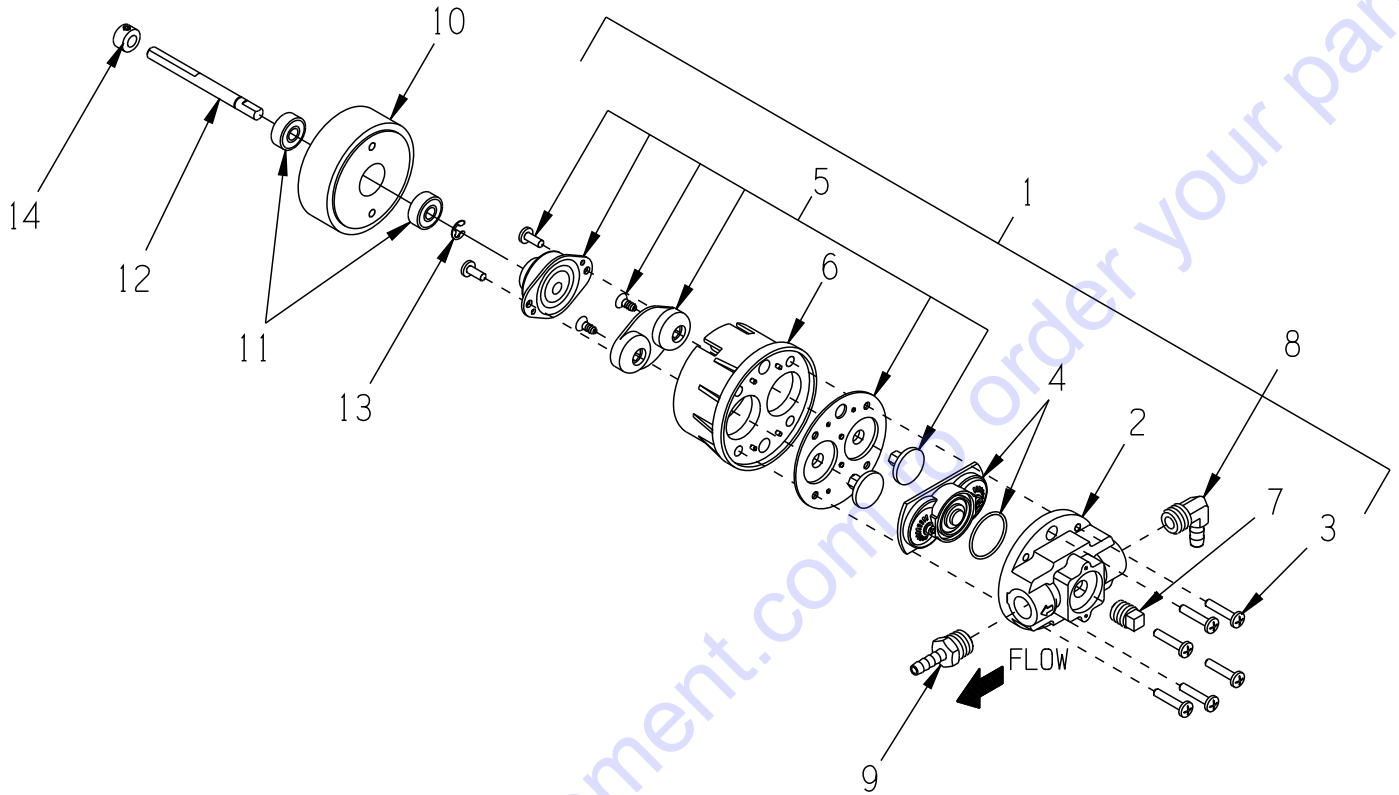


**PARTS LISTING - ILLUSTRATION 11: WATER PUMP & FILTER GROUPING**

ITEM #	PART #	DESCRIPTION	QTY.
1	40685	PUMP ASSY., WATER, BB14G (REFER TO ILLUS. 12 FOR BREAKDOWN)	1
2	40683	BRACKET, WATER PUMP, BB14G	1
3	10602	WASHER, FLAT 1/4 SAE ZINC	2
4	10038	WASHER, LOCK 1/4 ZINC	2
5	10018	SCREW, CAP 1/4-20 X 3/4	2
6	40684M	WHEEL, WATER PUMP DRIVE 3 X 5/16"B	1
7	10161	SCREW, SET 1/4-28 X 5/16	1
8	10810	NUT, HEX LOCK 3/8-16 ZINC	2
9	10025	WASHER, FLAT 3/8 SAE ZINC	3
10	64159	SHIM 3/8 X 5/8 X .031	1
11	42224	BUSHING, RUBBER 1"OD X 3/8"ID X 1/8	1
12	51230	KNOB, STAR CLAMPING 3/8-16 X 1"STUD	1
13	40639	STRAP, TUBE/HOSE 5/16"-3/8"	2
14	40686	HOSE 1/4"ID X 24"L, BB14G	1
15	10762	CLAMP, HOSE, SPRING-BAND 3/8" GREEN	1
16	40368	HOSE 5/16"ID X 7"L	1
17	10763	CLAMP, HOSE, SPRING-BAND 7/16" RED	3
18	40049	BULB, PRIMER 5/16"	1
19	40687	HOSE 5/16"ID X 12"L, BB14G	1
20	40690	FILTER ASSY., WATER	1
21	40691	FILTER BASKET 3/4NPT, 16 MESH S.S.	1
22	40692	BARB, 3/8HOSE X 3/4NPT (NYLON)	1
23	40693	CLIP, FILTER HANGER (S.S.)	1

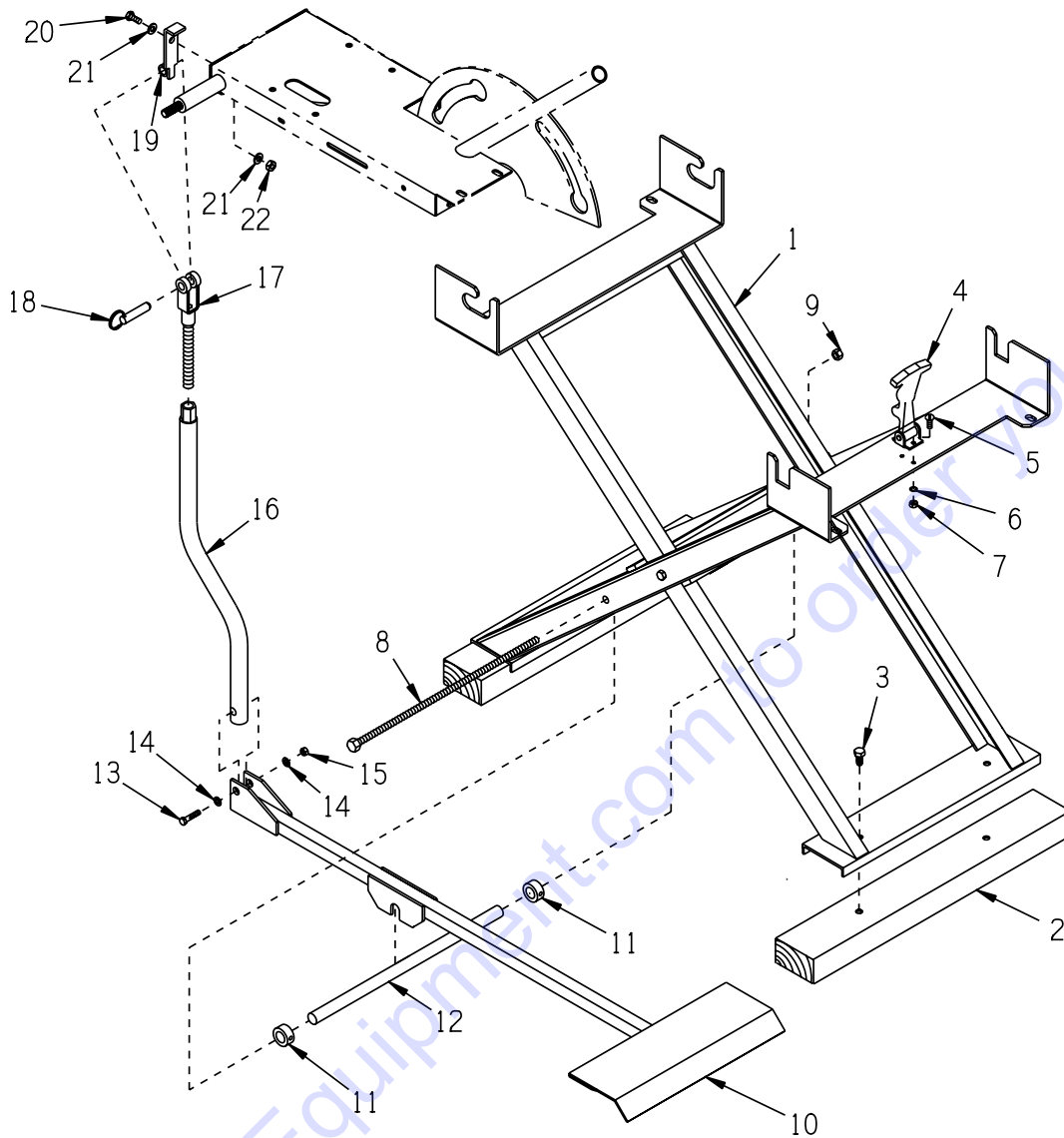
**ILLUSTRATION 12:  
WATER PUMP ASSEMBLY**

**PART # 40685**



ITEM #	PART #	DESCRIPTION	QTY.
1	56101-S1	PUMP HEAD, DUPLEX 21050-653A (INCLUDES ITEMS 2 THRU 7)	1
2	56101-S2	PUMP HOUSING BODY 20500-507	1
3	56101-S3	PUMP SCREWS (SET OF 6) 20131-001	1-SET
4	56101-S4	PUMP CHECK VALVE KIT 20028-008	1
5	56101-S5	PUMP DIAPHRAGM KIT W/ BRG 21004-401	1
6	56101-S6	PUMP HOUSING BEARING COVER 20428-100	1
7	56101-S8	PLUG, RED PLASTIC 1/4MPT, FLOJET	1
8	36924	BARB ELBOW 90, 5/16HOSE X 3/8MPT (BRASS)	1
9	40337	BARB, 1/4HOSE X 3/8MPT (BRASS)	1
10	40393-S1	HUB, WATER PUMP	1
11	40391	BEARING, RADIAL BALL 5/16X7/8X11/32	2
12	40393-S2	SHAFT, WATER PUMP 5/16 X 3-3/4	1
13	10137	RETAINING RING, E-CLIP 5/16"	1
14	10415	COLLAR, LOCKING 5/16"ID	1

## ILLUSTRATION 13: OPTIONAL STAND & FOOT PEDAL ASSEMBLY



FOLDING STAND - PART #40631 (INCLUDES ITEMS 1-7)

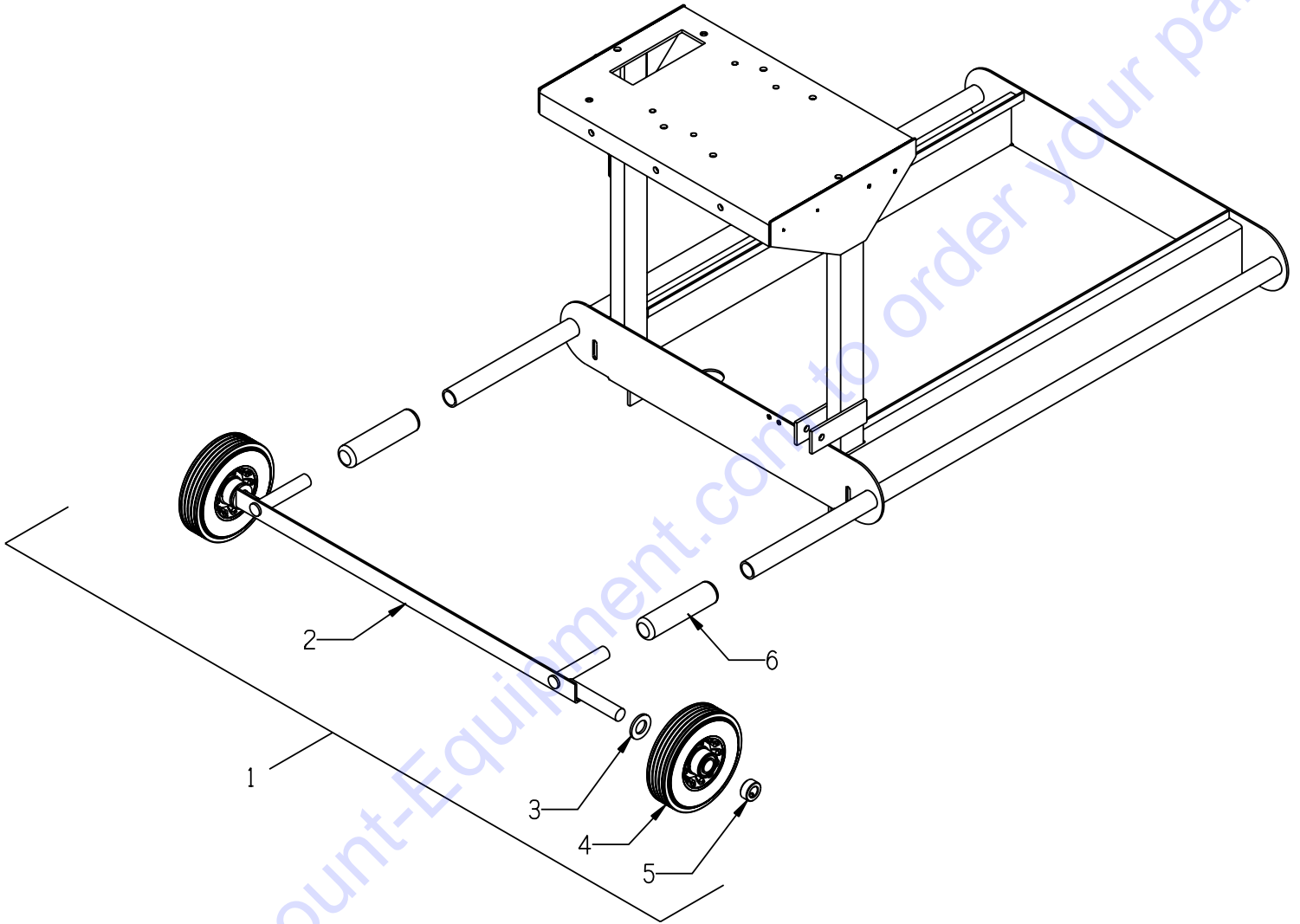
FOOT PEDAL KIT - PART #40632 (INCLUDES ITEMS 8-22)

ITEM #	PART #	DESCRIPTION	QTY.	ITEM #	PART #	DESCRIPTION	QTY.
1	40631W	STAND ONLY	1	12	40634	FOOT PEDAL PIVOT TUBE	1
2	21801	SKID BOARD 2 X 4 X 24"L	2	13	10029	SCREW, CAP 3/8-24 X 1-3/4	1
3	10367	BOLT, LAG 3/8 X 1	4	14	10025	WASHER, FLAT 3/8 SAE ZINC	2
4	52002	LATCH, FLEXIBLE DRAW T	1	15	10004	NUT, HEX LOCK 3/8-24 ZINC	1
5	10830	SCREW, MACHINE 10-32 X 1/2	2	16	40635	FOOT PEDAL LINKAGE	1
6	-----	WASHER (DISCONTINUED)		17	41019	LINKAGE, CLEVIS	1
7	10832	NUT, KEPS LOCK 10-32 ZINC	2	18	10125	PIN, DETENT RING 1/2 X 1-1/2	1
8	40383	BOLT, ALLTHRD 1/2-13 X 17-1/2	1	19	40688	MOUNT, FOOT PEDAL LINKAGE	1
9	10407	NUT, HEX LOCK 1/2-13 ZINC	1	20	10806	SCREW, CAP 5/16-18 X 1	1
10	40633	FOOT PEDAL	1	21	10213	WASHER, FLAT 5/16 SAE ZINC	2
11	10428	COLLAR, LOCKING 3/4"ID	2	22	10807	NUT, HEX LOCK 5/16-18 ZINC	1



**ILLUSTRATION 14:  
OPTIONAL "TOTE-A-SAW"  
TRANSPORT WHEELS**

**PART # 40091**



ITEM #	PART #	DESCRIPTION	QTY.
1	40091	TOTE-A-SAW, BB14 SERIES (INCLUDES ITEMS 2 THRU 6)	1
2	40092	FRAME, TOTE-A-SAW	1
3	10009	WASHER, FLAT 3/4 SAE	2
4	80028	WHEEL 6 X 2 X 3/4"BRG.	2
5	10428	COLLAR, LOCKING 3/4"ID	2
6	61067	GRIP, FOAM 7/8"ID X 5"L	2



# PARTS FINDER

**Search Website  
by Part Number**



**Search Manual  
Library For Parts  
Manual & Lookup Part  
Numbers – Purchase  
or Request Quote**

**Search Manuals**

Enter your information to help us find the right parts manual for your machine.

\* Brand:

\* Model:

\* Serial:

\* Part Number:

SEARCH

**Can't Find Part or  
Manual? Request Help  
by Manufacturer,  
Model & Description**

**Parts Order Form**

Please fill in the following information to help us find the right part for your machine.

Manufacturer:	<input type="text"/>
Model:	<input type="text"/>
Description:	<input type="text"/>
Part Number:	<input type="text"/>
Quantity:	<input type="text"/>
Notes:	<input type="text"/>

Submit

Discount-Equipment.com is your online resource for quality parts & equipment.

Florida: **561-964-4949** Outside Florida TOLL FREE: **877-690-3101**

**Need parts?**

Click on this link: <http://www.discount-equipment.com/category/5443-parts/> and choose one of the options to help get the right parts and equipment you are looking for. Please have the machine model and serial number available in order to help us get you the correct parts. If you don't find the part on the website or on one of the online manuals, please fill out the request form and one of our experienced staff members will get back to you with a quote for the right part that your machine needs.

We sell worldwide for the brands: Genie, Terex, JLG, MultiQuip, Mikasa, Essick, Whiteman, Mayco, Toro Stone, Diamond Products, Generac Magnum, Airman, Haulotte, Barreto, Power Blanket, Nifty Lift, Atlas Copco, Chicago Pneumatic, Allmand, Miller Curber, Skyjack, Lull, Skytrak, Tsurumi, Husquvarna Target, Stow, Wacker, Sakai, Mi-T-M, Sullair, Basic, Dynapac, MBW, Weber, Bartell, Bennar Newman, Haulotte, Ditch Runner, Menegotti, Morrison, Contec, Buddy, Crown, Edco, Wyco, Bomag, Laymor, EZ Trench, Bil-Jax, F.S. Curtis, Gehl Pavers, Heli, Honda, ICS/PowerGrit, IHI, Partner, Imer, Clipper, MMD, Koshin, Rice, CH&E, General Equipment, Amida, Coleman, NAC, Gradall, Square Shooter, Kent, Stanley, Tamco, Toku, Hatz, Kohler, Robin, Wisconsin, Northrock, Oztec, Toker TK, Rol-Air, APT, Wylie, Ingersoll Rand / Doosan, Innovatech, Con X, Ammann, Mecalac, Makinex, Smith Surface Prep, Small Line, Wanco, Yanmar