



REVISED STARTING  
SERIAL # 090810097

## PARTS LIST MANUAL MODEL BB14G



SHOWN WITH OPTIONAL PROCART

### 14" GASOLINE POWERED PORTABLE MASONRY SAWS

SKU #	MODEL #	POWER OPTION
26300	BB14G-5.5H	HONDA GX160 W/ CYCLONE AIR CLEANER
26400	BB14G-6.5H	HONDA GX200 W/ CYCLONE AIR CLEANER
26500	BB14G-9H	HONDA GX270 W/ CYCLONE AIR CLEANER
26700	BB14G-6S	SUBARU ROBIN EX17 W/ CYCLONE AIR CLEANER
26800	BB14G- 7S	SUBARU ROBIN EX21 W/ CYCLONE AIR CLEANER
26900	BB14G-9S	SUBARU ROBIN EX27 W/ CYCLONE AIR CLEANER



A Division of Equipment Development Company, Inc.

# PARTS FINDER

**Search Website  
by Part Number**



**Search Manual  
Library For Parts  
Manual & Lookup Part  
Numbers – Purchase  
or Request Quote**

**Search Manuals**

Enter your information to help us find the right parts manual for your machine.

\* Brand:

\* Model:

\* Serial:

\* Part Number:

SEARCH

**Can't Find Part or  
Manual? Request Help  
by Manufacturer,  
Model & Description**

**Parts Order Form**

Please fill in the following information to help us find the right part for your machine.

Manufacturer:	<input type="text"/>
Model:	<input type="text"/>
Description:	<input type="text"/>
Part Number:	<input type="text"/>
Quantity:	<input type="text"/>
Notes:	<input type="text"/>

Discount-Equipment.com is your online resource for quality parts & equipment.

Florida: **561-964-4949** Outside Florida TOLL FREE: **877-690-3101**

**Need parts?**

Click on this link: <http://www.discount-equipment.com/category/5443-parts/> and choose one of the options to help get the right parts and equipment you are looking for. Please have the machine model and serial number available in order to help us get you the correct parts. If you don't find the part on the website or on one of the online manuals, please fill out the request form and one of our experienced staff members will get back to you with a quote for the right part that your machine needs.

We sell worldwide for the brands: Genie, Terex, JLG, MultiQuip, Mikasa, Essick, Whiteman, Mayco, Toro Stone, Diamond Products, Generac Magnum, Airman, Haulotte, Barreto, Power Blanket, Nifty Lift, Atlas Copco, Chicago Pneumatic, Allmand, Miller Curber, Skyjack, Lull, Skytrak, Tsurumi, Husquvarna Target, Stow, Wacker, Sakai, Mi-T-M, Sullair, Basic, Dynapac, MBW, Weber, Bartell, Bennar Newman, Haulotte, Ditch Runner, Menegotti, Morrison, Contec, Buddy, Crown, Edco, Wyco, Bomag, Laymor, EZ Trench, Bil-Jax, F.S. Curtis, Gehl Pavers, Heli, Honda, ICS/PowerGrit, IHI, Partner, Imer, Clipper, MMD, Koshin, Rice, CH&E, General Equipment, Amida, Coleman, NAC, Gradall, Square Shooter, Kent, Stanley, Tamco, Toku, Hatz, Kohler, Robin, Wisconsin, Northrock, Oztec, Toker TK, Rol-Air, APT, Wylie, Ingersoll Rand / Doosan, Innovatech, Con X, Ammann, Mecalac, Makinex, Smith Surface Prep, Small Line, Wanco, Yanmar

READ AND UNDERSTAND THE OPERATORS INSTRUCTION MANUAL THOROUGHLY BEFORE ATTEMPTING TO OPERATE THIS EQUIPMENT. Death or serious injury could occur if this machine is used improperly.



## SAFETY MESSAGES



The safety instructions are preceded by a graphic alert message of DANGER, WARNING, or CAUTION.



Indicates an imminent hazard which, if not avoided, will result in death or serious injury.



Indicates an imminent hazard which, if not avoided, can result in death or serious injury.



Indicates hazards which, if not avoided, could result in serious injury and or damage to the equipment.

## GASOLINE Powered Equipment



- Do not operate gasoline powered equipment without adequate ventilation. Carbon monoxide is an invisible, odorless gas that can kill.

## ELECTRICAL Powered Equipment



- ELECTRICAL HAZARD** - Be sure equipment is properly grounded. Failure to comply could kill or result in serious injury.



The engine exhaust from this product contains chemicals known to the State of California to cause cancer, birth defects or other reproductive harm.

## GENERAL INSTRUCTIONS



- You must read and understand the operators instruction manual and all other manuals associated with this machine. For your safety and the safety of others around you, it is extremely important to fully understand how to operate this machine in the way it was intended. Different model machines or older/newer versions of the same model may have different parts and controls that you need to understand. If instructions are not readable or available DO NOT USE this machine and contact Discount-equipment for a replacement Manual.
- You must be able to physically handle the bulk weight and power of this machine. If not properly controlled this machine can cause death or serious injury.
- Do not operate this machine in an impaired mental state. You must be able to exercise good judgement and reactions to maintain a safe working environment.
- This is a "one person" machine which means only one operator can be operating the machine at any one time. For the safety of others, maintain a safe operating distance to other personnel. Your work area should be defined and appropriately marked so bystanders and coworkers do not stand or walk near this machine and end up seriously injured by flying debris or exposing them to harmful noise or dust.
- This equipment is for Commercial use. Although this is a "one person" machine your work team should understand how to shut this machine off and quickly get medical help if an accident strikes the operator.
- Keep all guards in place during operation. The guards are to provide protection from inadvertent contact with dangerous moving parts, pinch points, or hot surfaces.
- Wear appropriate Personal Protective Equipment (PPE) including safety glasses, safety boots, work gloves, respiratory protection, hearing protection, and head protection. Do not wear loose clothing that can get tangled in moving parts. Failure to do so could result

in dismemberment or death. **Wear an approved respirator when removing hazardous materials or when grinding/cutting dry materials. Some dust particles such as concrete dust can contain silicate particles which can cause silicosis (a very serious lung disease). Contact NIOSH or OSHA for further details. When wet grinding/cutting, avoid contact with the concrete/asphalt slurry which can cause serious skin irritations.**

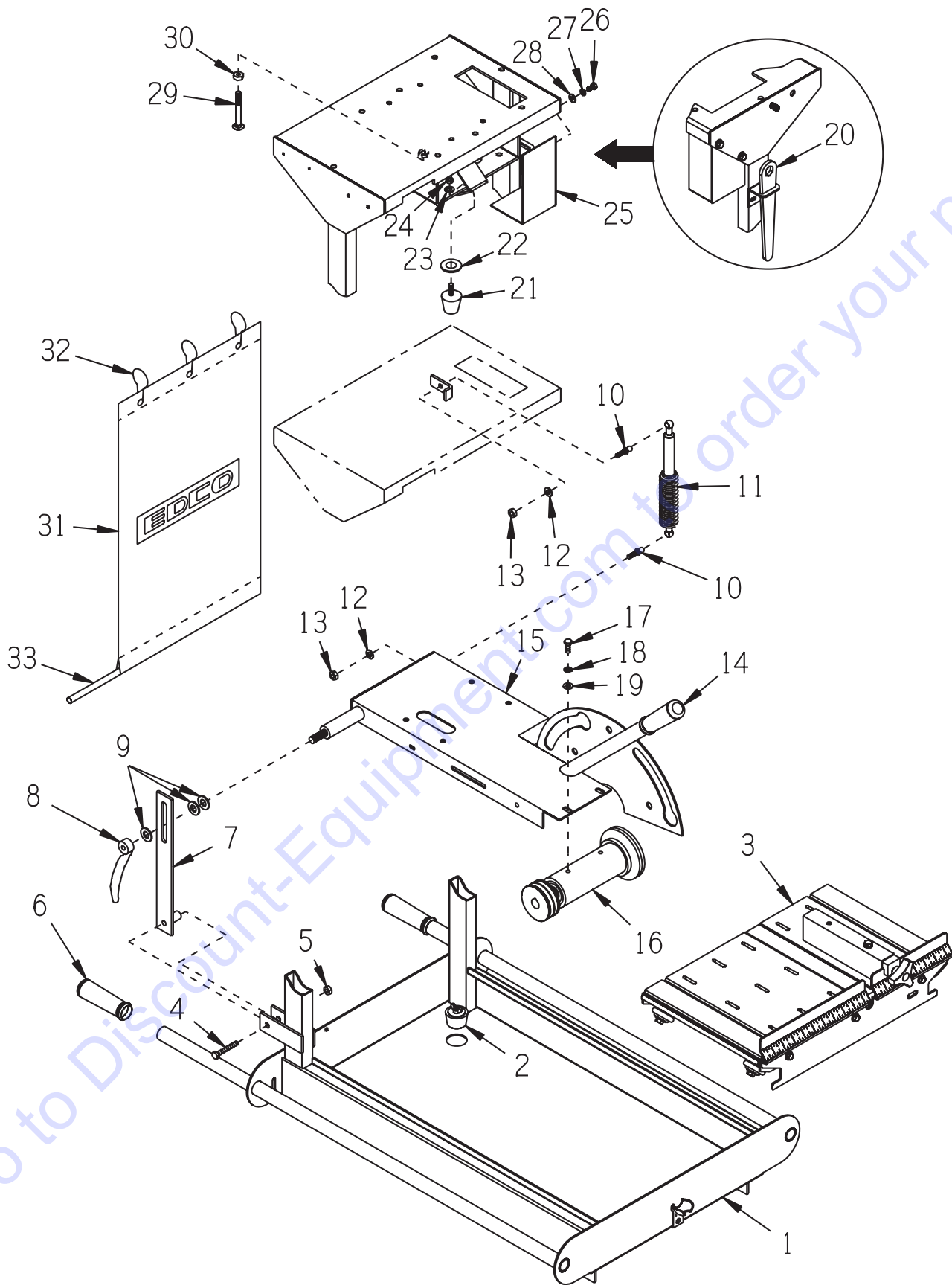
- You must maintain this machine per the maintenance schedule in the operator manual. Remember before adjusting, servicing, or fueling this machine, disconnect the source of power to the machine by disconnecting the spark plug (Gas models), or by unplugging the electrical power cord (electric models) or air hose (Pneumatic models) AT THE MACHINE so you can assure yourself it remains unplugged while you are working on it. Do not modify this machine. Use only genuine EDCO parts and accessories. Repairs and service should be performed by approved EDCO dealers or authorized technicians.
- You should look carefully around the area before you begin work so you can identify potential hazards such as deck inserts, pipes, columns, openings, electrical cords or outlets, or any other objects protruding from the slab surface.
- This machine has no brain so you must use your own. There is no substitute for safety. The safety decals on the machine are to serve as a reminder for information you must already know before you begin using this machine. Take a moment to reread the safety decals each time you use the machine. If your machine is missing any decals, contact Discount-equipment for a replacement.

# PARTS LIST MANUAL

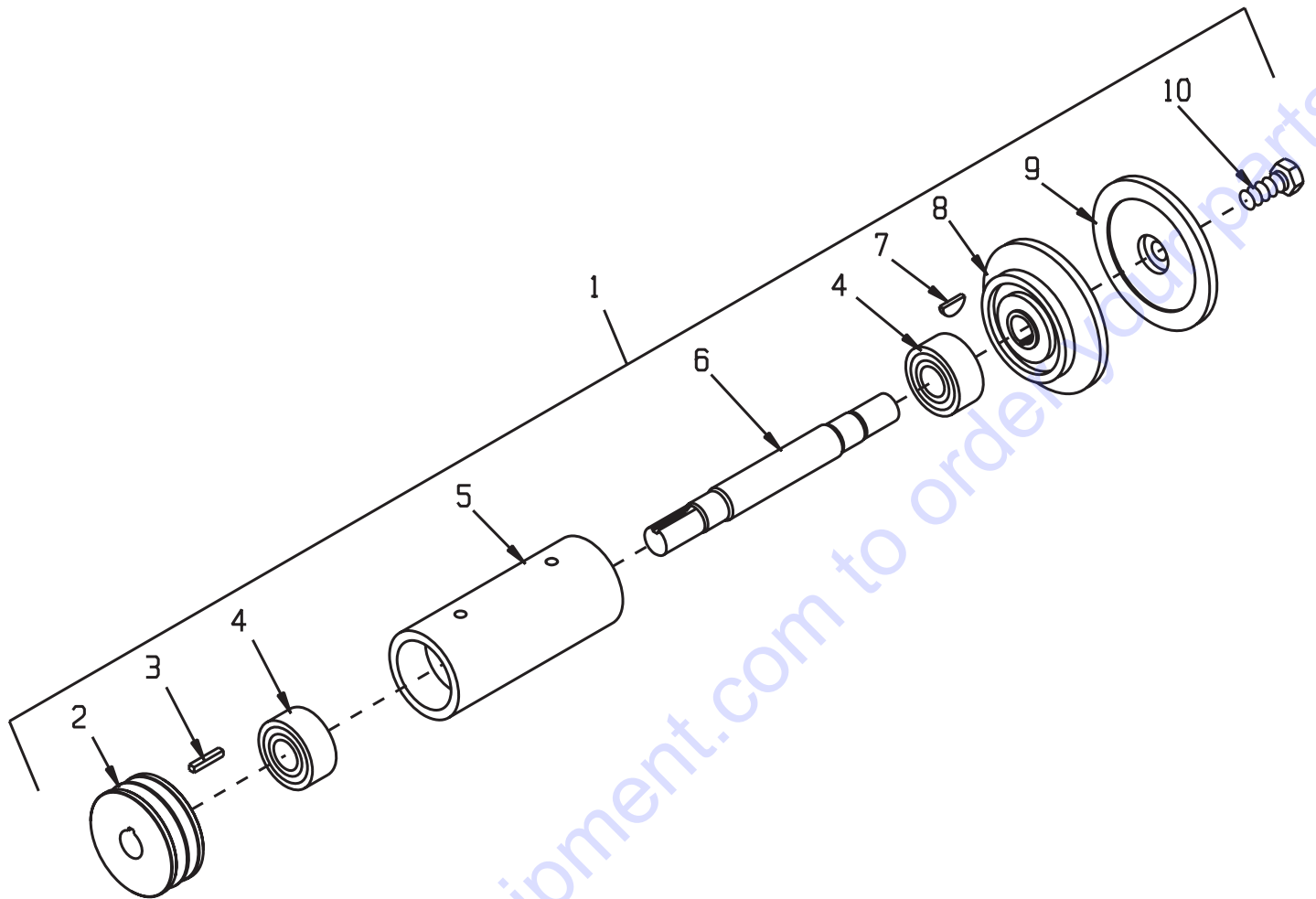
## MODEL BB14G

<u>Section</u>	<u>Page Number</u>
Safety Messages & General Instructions .....	2
How To Order Replacement Parts .....	3
Illustration 1 : Main Grouping .....	4,5
Illustration 2 : Arbor Assembly .....	6
Illustration 3 : Rolling Table Assembly .....	7
Illustration 4 : Water Pump & Blade Guard Grouping .....	8,9
Illustration 5 : Engine Grouping .....	10,11
Honda GX160 & GX200	
Subaru Robin EX17 & EX21	
Illustration 6: Engine Grouping .....	12,13
Honda GX270 & Subaru Robin	
Illustration 7 : Belt & Drive Shaft Grouping .....	14
Illustration 8 : Water Pump Assembly .....	15
Illustration 9 : Optional "Tote-A-Saw" Transport Wheels .....	16
Illustration 10: Optional ProCart .....	17
Illustration 11: Optional Stand & Foot Pedal Assembly .....	18
Illustration 12: Optional Vacuum Hood System .....	19
Limited Equipment Warranty of Sale - Terms & Conditions .....	20 - Back Page

**ILLUSTRATION 1 : MAIN GROUPING**

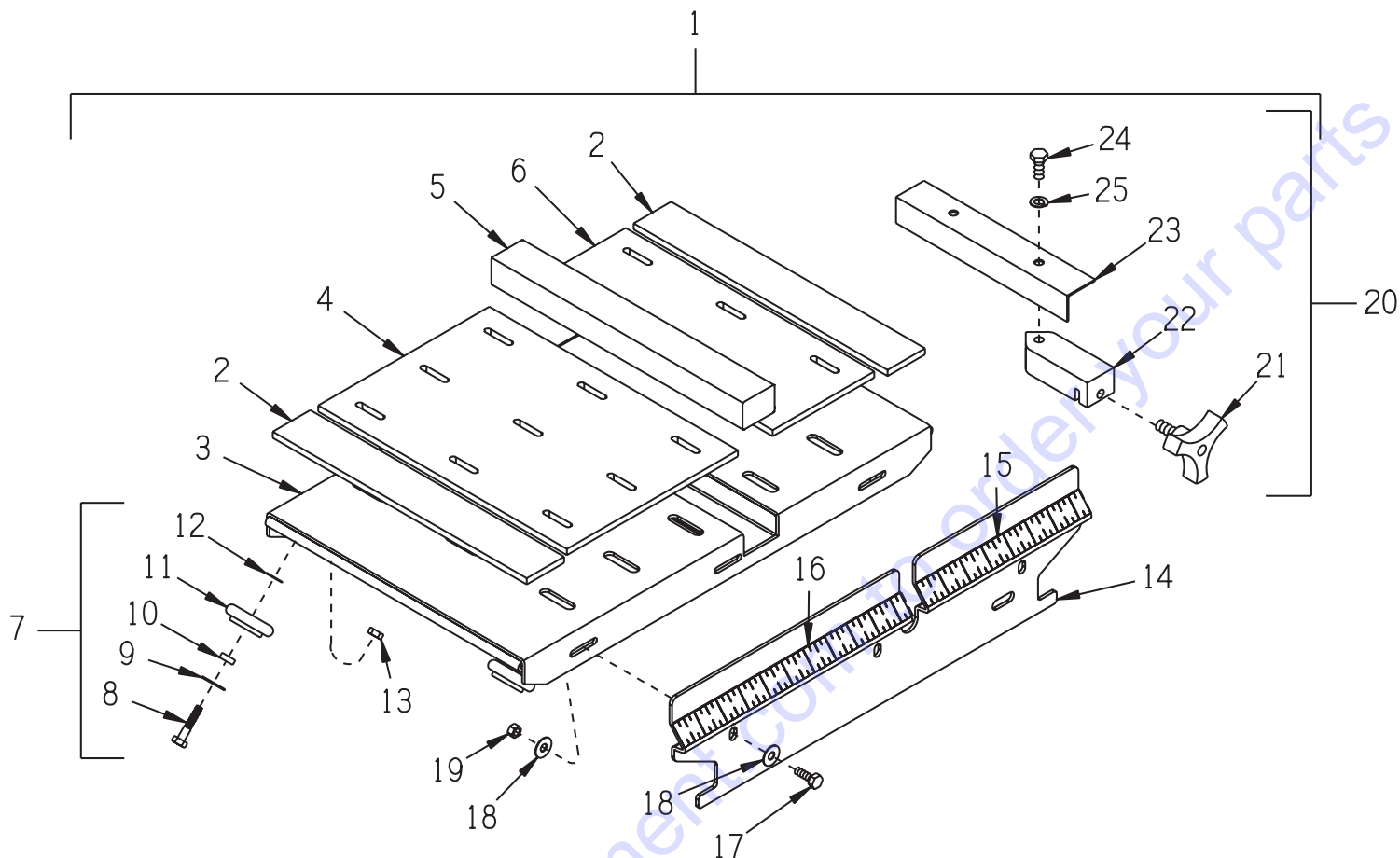


PARTS LISTING - ILLUSTRATION 1 : MAIN GROUPING			
ITEM #	PART #	DESCRIPTION	QTY.
1	40680	PAN/ENGINE DECK WELDMENT	1
2	40378	STOPPER ASSEMBLY 1-1/2"	1
3	40675A	TABLE COMPLETE, ROLLING (REFER TO ILLUS. 3 )	1
4	10029	SCREW, CAP 3/8-24 X 1-3/4	1
5	10004	NUT, LOCK 3/8-24	1
6	10608	GRIP, HAND 1" MODEL AT	2
7	40609	LOCKING BAR, ARBOR HEIGHT	1
8	40358	NUT, TAIL HANDLE 1/2-13	1
9	10312	WASHER, FLAT 1/2 SAE	3
10	43011	STUD, 10MM BALL, 5/16-18 X .662	2
11	43010	SPRING ASSEMBLY, GAS (COMPLETE) <i>INDIVIDUAL REPLACEMENT PARTS:</i>	1
	43007	SPRING, GAS, 1629EM	1
	43008	BELLOWS, GAS SPRING (DUST BOOT)	1
	43009	CLIP, SAFETY, GAS SPRING	1
	10982	TIE, CABLE, BLACK NYLON 11-1/4"	2
12	10801	WASHER, LOCK 5/16	1
13	10054	NUT 5/16-18	1
14	10608	GRIP, HAND 1" MODEL AT	1
15	40606-1	DECK, ARBOR	1
16	40670A	ARBOR ASSY. W/ 2GR-3V SHEAVE (REFER TO ILLUS. 2)	1
17	10048	SCREW, CAP 5/16-24 X 3/4	4
18	10801	WASHER, LOCK 5/16	4
19	10213	WASHER, FLAT 5/16 SAE	2
20	53021	WRENCH, ARBOR, 3/4" BOX END	1
21	10931	MOUNT, TAPERED RUBBER 5/16-18	1
22	10009	WASHER, FLAT 3/4 SAE	1
23	10801	WASHER, LOCK 5/16	1
24	10054	NUT 5/16-18	1
25	40682	COVER, JACKSHAFT SHEAVE	1
26	10018	SCREW, CAP 1/4-20 X 3/4	2
27	10038	WASHER, LOCK 1/4	2
28	10602	WASHER, FLAT 1/4 SAE	2
29	10909	BOLT, CARRIAGE 3/8-16 X 3 FULL THD.	1
30	10404	NUT 3/8-16	1
31	40375	CURTAIN 15" X 28" W/ LOGO	1
32	40376	HOOK, CURTAIN	3
33	40377	CURTAIN ROD 1/2"DIA. X 13"L	1

**ILLUSTRATION 2 : ARBOR ASSEMBLY**


ITEM #	PART #	DESCRIPTION	QTY.
1	40670A	ARBOR ASSY. W/ 2GR-3V SHEAVE (INCLUDES ITEMS 2 THRU 10)	1
2	40694	SHEAVE 2.75"OD X 2GR.3V X 3/4"BORE	1
3	10016	KEY 3/16 SQ X 1-1/2	1
4	40018	BEARING, RADIAL BALL 20X47X20.6MM	2
5	40607	ARBOR HOUSING	1
6	40608	ARBOR SHAFT	1
7	40036	KEY, WOODRUFF 1/8 X 3/8 (#403)	1
8	40022	ARBOR BACKING PLATE 4"	1
9	40023	ARBOR BLADE CAP 4"	1
10	10321	SCREW, CAP 1/2-20 X 1-1/4	1

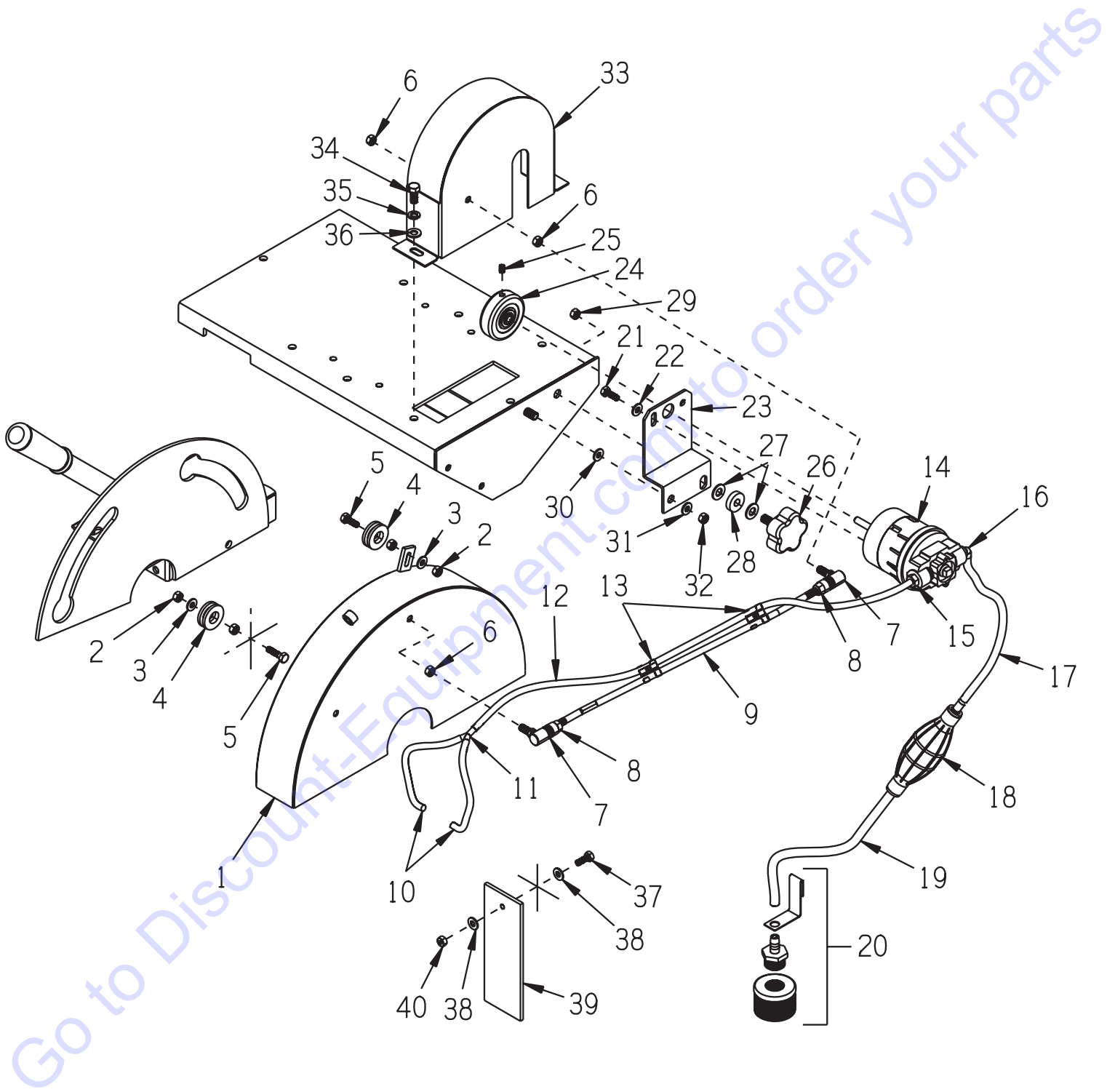
### ILLUSTRATION 3 : ROLLING TABLE ASSEMBLY



ITEM #	PART #	DESCRIPTION	QTY.	ITEM #	PART #	DESCRIPTION	QTY.
1	40675A	TABLE COMPLETE, ROLLING (INCLUDES ITEMS 2 THRU 25)	1	14	40603	TABLE FRONT PANEL, ROLL	1
2	40679	RUBBER PAD 11-5/8 x 1-3/4 x 1/4	2	15	40424	RULE, ADHESIVE-BACKED, 1-7	1
3	40675	TABLE, ROLLING	1	16	40423	RULE, ADHESIVE-BACKED, 1-13	1
4	40676	RUBBER PAD 11-5/8 X 8	1	17	10018	SCREW, CAP 1/4-20 X 3/4	3
5	40678	WOODEN CUT BLOCK	1	18	10602	WASHER, FLAT 1/4 SAE	6
6	40677	RUBBER PAD 11-5/8 X 4-3/4	1	19	10861	NUT, KEPS 1/4-20	3
7	40605K	WHEEL KIT (ITEMS 8 THRU 13)	4	20	40689A	GUIDE ASSEMBLY, CUT (ITEMS 21 THRU 25)	1
8	10606	SCREW, CAP 5/16-18 X 1-1/4	4	21	40425	KNOB, 3-PRONG W/ 3/8-16 STUD	1
9	40667	WASHER .328ID X .875OD X .060	4	22	42015	BLOCK, CUT GUIDE	1
10	40668	SPACER 5/8OD X .328ID X .180	4	23	40689	BRACKET, CUT GUIDE	1
11	40605A	WHEEL W/ BEARING	4	24	10053	SCREW, CAP 5/16-18 X 3/4	1
12	36928	WASHER, FLAT 1/4 USS 3/4"OD	4	25	10801	WASHER, LOCK 5/16	1
13	10151	NUT, HEX NYLON LOCK 5/16-18	4				



**ILLUSTRATION 4 : WATER PUMP & BLADE GUARD GROUPING**



**PARTS LISTING - ILLUSTRATION 4 : WATER PUMP & BLADE GUARD GROUPING**

ITEM #	PART #	DESCRIPTION	QTY.
1	40615	GUARD, BLADE 14"	1
2	10015	NUT, LOCK 1/4-20	6
3	10602	WASHER, FLAT 1/4 SAE	3
4	40636	SLIDER GUIDE, BLADE GUARD	3
5	10031	SCREW, CAP 1/4-20 X 1	3
6	10424	NUT 5/16-24	3
7	40617	B.J. LINKAGE, QUICK-DISC. 5/16-24	2
8	10424	NUT 5/16-24	2
9	40616	ROD, BLADE GUARD LEVELER	1
10	40654	HOSE 1/4"ID X 6"L	2
11	99323	BARBED FITTING, "Y" 1/4"HOSE	1
12	40686	HOSE 1/4"ID X 23"L	1
13	40639	STRAP, TUBE/HOSE 5/16"-3/8"	2
14	40685	PUMP ASSY., WATER (REFER TO ILLUS. 8) INCLUDES ITEMS 15 & 16	1
15	40337	BARB, 1/4HOSE X 3/8MPT (BRASS)	1
16	36924	BARB ELBOW 90, 5/16HOSE X 3/8MPT (BRASS)	1
17	40368	HOSE 5/16"ID X 7"L	1
18	40049	BULB, PRIMER 5/16"	1
19	40687	HOSE 5/16"ID X 12"L	1
20	40690	FILTER ASSY., WATER (INCLUDES THE PARTS LISTED BELOW)	1
	40691	FILTER BASKET 3/4NPT, 16 MESH S.S.	1
	40692	BARB, 3/8HOSE X 3/4NPT (NYLON)	1
	40693	CLIP, FILTER HANGER (S.S.)	1
21	10018	SCREW, CAP 1/4-20 X 3/4	2
22	10602	WASHER, FLAT 1/4 SAE	2
23	40683	BRACKET, WATER PUMP	1
24	40684M	WHEEL, WATER PUMP DRIVE 3 X 5/16"B	1
25	10161	SCREW, SET 1/4-28 X 5/16	1
26	51230	KNOB, STAR CLAMPING 3/8-16 X 1"STUD	1
27	10025	WASHER, FLAT 3/8 SAE	2
28	42224	BUSHING, RUBBER 1"OD X 3/8"ID X 1/8	1
29	10810	NUT, LOCK 3/8-16	1
30	64159	SHIM 3/8 X 5/8 X .031	1
31	10025	WASHER, FLAT 3/8 SAE	2
32	10810	NUT, LOCK 3/8-16	1
33	40681	COVER, ENGINE BELT	1
34	10053	SCREW, CAP 5/16-18 X 3/4	2
35	10801	WASHER, LOCK 5/16	2
36	10213	WASHER, FLAT 5/16 SAE	2
37	10018	SCREW, CAP 1/4-20 X 3/4	1
38	10602	WASHER, FLAT 1/4 SAE	2
39	40012	FLAP, SPLASH 2-1/2 X 7	1
40	10015	NUT, LOCK 1/4-20	1

# PARTS FINDER

**Search Website  
by Part Number**



**Search Manual  
Library For Parts  
Manual & Lookup Part  
Numbers – Purchase  
or Request Quote**

**Search Manuals**

Enter your information to help us find the right parts manual for your machine.

\* Brand:

\* Model:

\* Serial:

\* Part Number:

SEARCH

**Can't Find Part or  
Manual? Request Help  
by Manufacturer,  
Model & Description**

**Parts Order Form**

Please fill in the following information to help us find the right part for your machine.

Manufacturer:	<input type="text"/>
Model:	<input type="text"/>
Description:	<input type="text"/>
Part Number:	<input type="text"/>
Quantity:	<input type="text"/>
Notes:	<input type="text"/>
Submit	<input type="button" value="Submit"/>

Discount-Equipment.com is your online resource for quality parts & equipment.

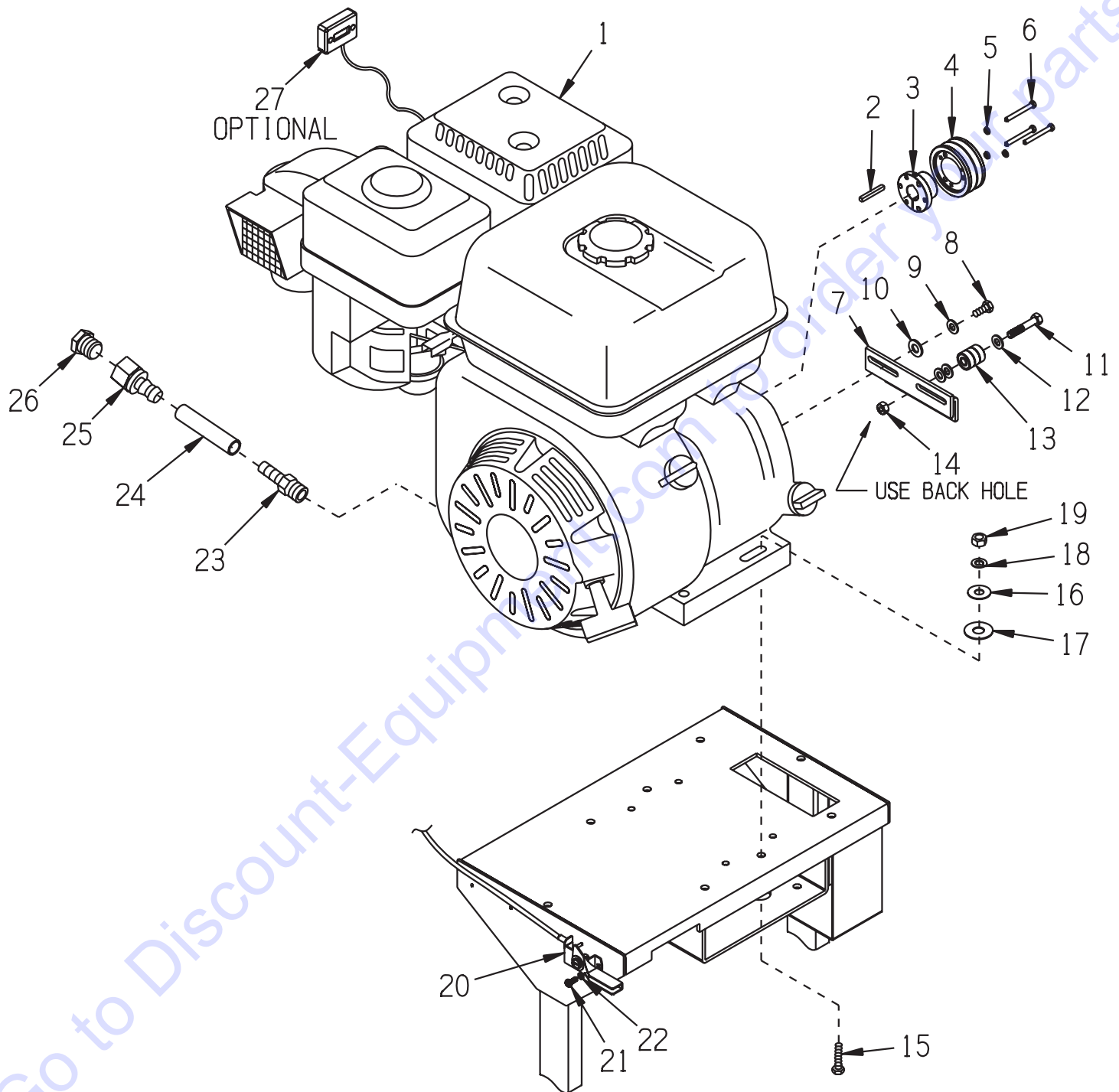
Florida: **561-964-4949** Outside Florida TOLL FREE: **877-690-3101**

**Need parts?**

Click on this link: <http://www.discount-equipment.com/category/5443-parts/> and choose one of the options to help get the right parts and equipment you are looking for. Please have the machine model and serial number available in order to help us get you the correct parts. If you don't find the part on the website or on one of the online manuals, please fill out the request form and one of our experienced staff members will get back to you with a quote for the right part that your machine needs.

We sell worldwide for the brands: Genie, Terex, JLG, MultiQuip, Mikasa, Essick, Whiteman, Mayco, Toro Stone, Diamond Products, Generac Magnum, Airman, Haulotte, Barreto, Power Blanket, Nifty Lift, Atlas Copco, Chicago Pneumatic, Allmand, Miller Curber, Skyjack, Lull, Skytrak, Tsurumi, Husquvarna Target, Stow, Wacker, Sakai, Mi-T-M, Sullair, Basic, Dynapac, MBW, Weber, Bartell, Bennar Newman, Haulotte, Ditch Runner, Menegotti, Morrison, Contec, Buddy, Crown, Edco, Wyco, Bomag, Laymor, EZ Trench, Bil-Jax, F.S. Curtis, Gehl Pavers, Heli, Honda, ICS/PowerGrit, IHI, Partner, Imer, Clipper, MMD, Koshin, Rice, CH&E, General Equipment, Amida, Coleman, NAC, Gradall, Square Shooter, Kent, Stanley, Tamco, Toku, Hatz, Kohler, Robin, Wisconsin, Northrock, Oztec, Toker TK, Rol-Air, APT, Wylie, Ingersoll Rand / Doosan, Innovatech, Con X, Ammann, Mecalac, Makinex, Smith Surface Prep, Small Line, Wanco, Yanmar

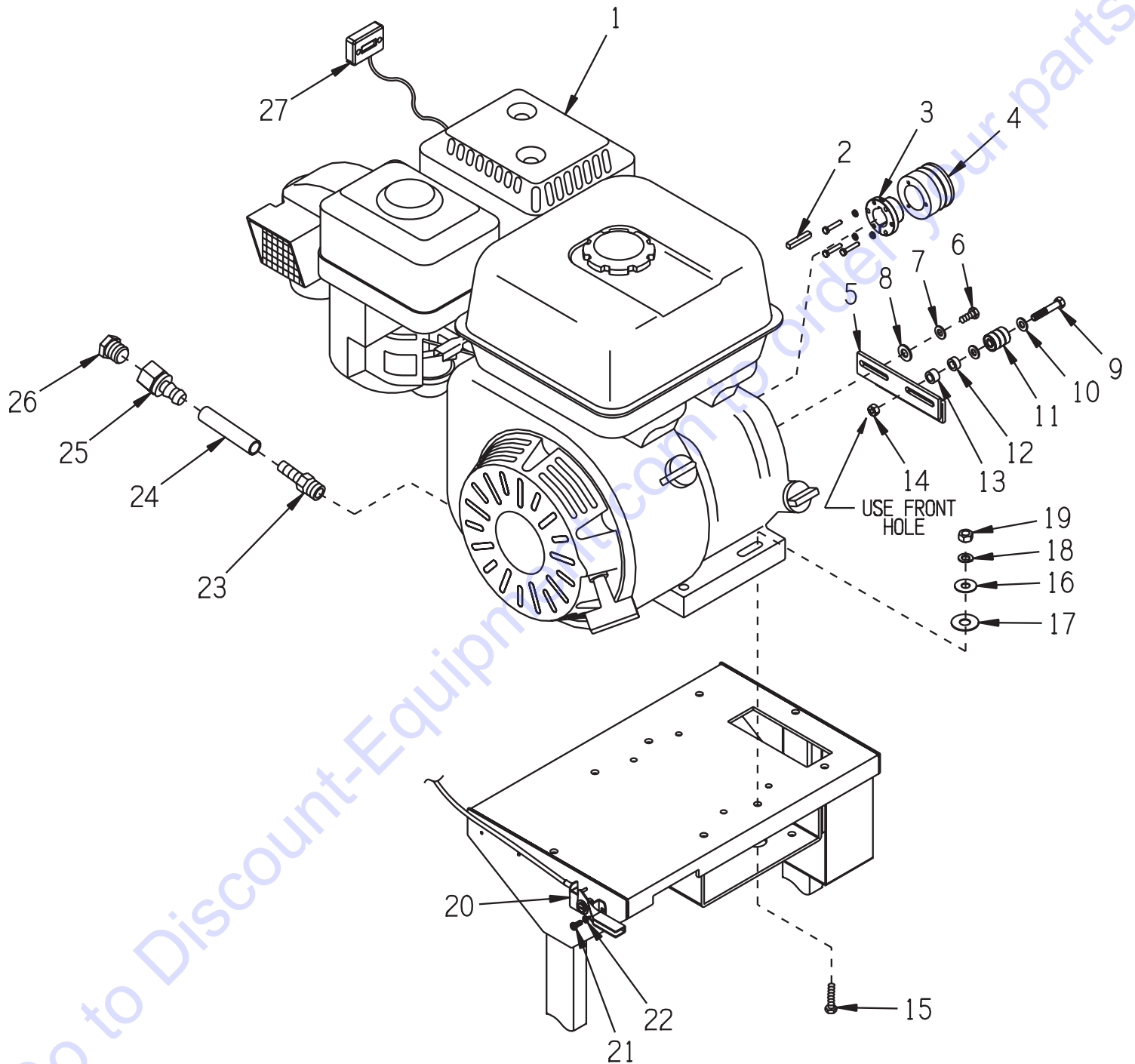
**ILLUSTRATION 5 : ENGINE GROUPING**  
**HONDA GX160 & GX200**  
**SUBARU ROBIN EX17 & EX21**



**PARTS LISTING - ILLUSTRATION 5 : ENGINE GROUPING  
HONDA GX160 & GX200  
SUBARU ROBIN EX17 & EX21**

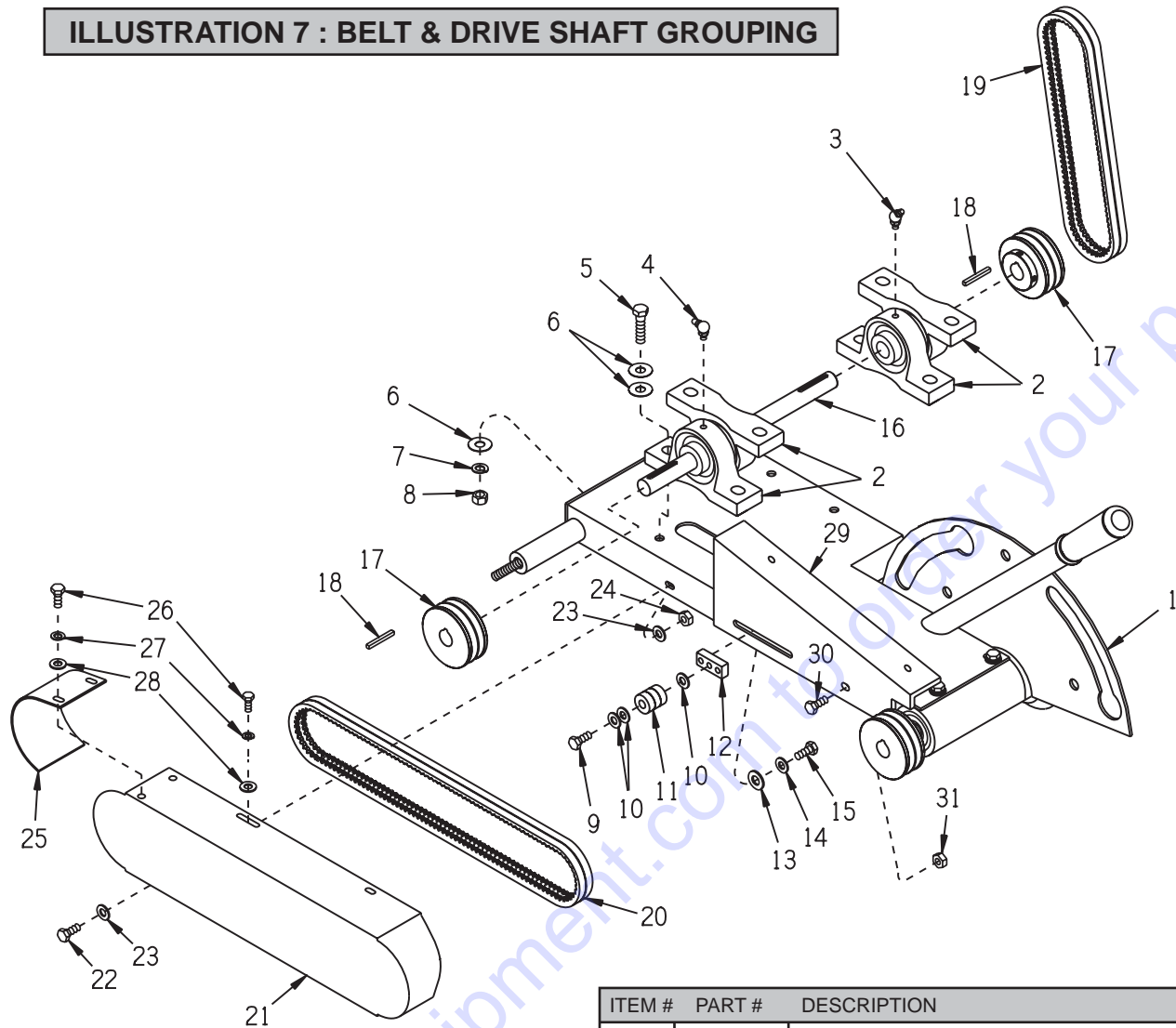
ITEM #	PART #	DESCRIPTION	QTY.
1	40387 15048 15061 15062	ENGINE W/ CYCLONE AIR CLEANER HONDA GX160 (SHOWN) HONDA GX200 SUBARU ROBIN EX17 SUBARU ROBIN EX21	1
2	-----	KEY 3/16"SQ X 1-1/2 (INCLUDED W/ ENGINE)	1
3	40644	BUSHING, SHEAVE JA X 3/4"BORE	1
4	40695	SHEAVE 2.65"OD X 2GR.3V X JA	1
5	-----	WASHER, LOCK #10 (INLUDED W/ ITEM 3)	3
6	40696	SCREW, HH CAP 10-24 X 1-3/4	3
7	40658	TENSIONER BRKT., BELT	1
8	10048	SCREW, CAP 5/16-24 X 3/4	2
9	10801	WASHER, LOCK 5/16	2
10	10213	WASHER, FLAT 5/16 SAE	2
11	10204	SCREW, CAP 5/16-18 X 1-3/4	1
12	10213	WASHER, FLAT 5/16 SAE	3
13	40391	BEARING, RADIAL BALL 5/16X7/8X11/32	3
14	10807	NUT, LOCK 5/16-18	1
15	10342	SCREW, CAP 5/16-18 X 1-1/2	4
16	10213	WASHER, FLAT 5/16 SAE	4
17	10025	WASHER, FLAT 3/8 SAE	4
18	10801	WASHER, LOCK 5/16	4
19	10054	NUT 5/16-18	4
20	40388	CABLE, THROTTLE, LEVER-TYPE 24"	1
21	10877	SCREW, CAP STSHW 10-24 X 1/2	2
22	10831	WASHER, LOCK, INT. TOOTH #10	2
23	11541 10657	BARB, PUSH-ON 3/8 HOSE X10MM X 1.25 MALE THD. (HONDA) 3/8 HOSE X 1/4MPT (SUBARU)	1
24	56116	HOSE, PUSH-ON 3/8"ID X 3"L	1
25	11544	BARB, PUSH-ON 3/8 HOSE X 1/4FPT	1
26	10776	PIPE PLUG 1/4 NPT (BRASS)	1
27	15138	METER, HOUR, REDINGTON INDUCTIVE (OPTIONAL)	1

**ILLUSTRATION 6 : ENGINE GROUPING  
HONDA GX270 & SUBARU ROBIN EX27**



**PARTS LISTING - ILLUSTRATION 6 : ENGINE GROUPING  
HONDA GX270 & SUBARU ROBIN EX27**

ITEM #	PART #	DESCRIPTION	QTY.
1	15027 15063	ENGINE W/ CYCLONE AIR CLEANER HONDA GX270 (SHOWN) SUBARU ROBIN EX27	1
2	-----	KEY 1/4"SQ X 1-3/4 (INCLUDED /W ENGINE)	1
3	10557	BUSHING, SHEAVE JA X 1"BORE INCLUDES SCREWS & LOCK WASHERS	1
4	40699	SHEAVE 2.35"OD X 2GR.3V X JA	1
5	40658	TENSIONER BRKT., BELT	1
6	10048	SCREW, CAP 5/16-24 X 3/4	2
7	10801	WASHER, LOCK 5/16	2
8	10213	WASHER, FLAT 5/16 SAE	2
9	10341	SCREW, CAP 5/16-18 X 2-1/4	1
10	10213	WASHER, FLAT 5/16 SAE	2
11	40391	BEARING, RADIAL BALL 5/16X7/8X11/32	3
12	10113	SPACER, STEEL 9/16OD X 3/8ID X 7/32	1
13	10011	SPACER, STEEL 5/8OD X 3/8ID X 3/8T	1
14	10807	NUT, LOCK 5/16-18	1
15	10204	SCREW, CAP 5/16-18 X 1-3/4	4
16	10213	WASHER, FLAT 5/16 SAE	4
17	10025	WASHER, FLAT 3/8 SAE	4
18	10801	WASHER, LOCK 5/16	4
19	10054	NUT 5/16-18	4
20	40388	CABLE, THROTTLE, LEVER-TYPE 24"	1
21	10877	SCREW, CAP STSHW 10-24 X 1/2	2
22	10831	WASHER, LOCK, INT. TOOTH #10	2
23	11542 10657	BARB, PUSH-ON 3/8HOSE X 12MM X 1.50 3/8 HOSE X 1/4MPT	1
24	56116	HOSE, PUSH-ON 3/8"ID X 3"L	1
25	11544	BARB, PUSH-ON 3/8 HOSE X 1/4FPT	1
26	10776	PIPE PLUG 1/4 NPT (BRASS)	1
27	15138	METER, HOUR, REDINGTON INDUCTIVE (OPTIONAL)	1

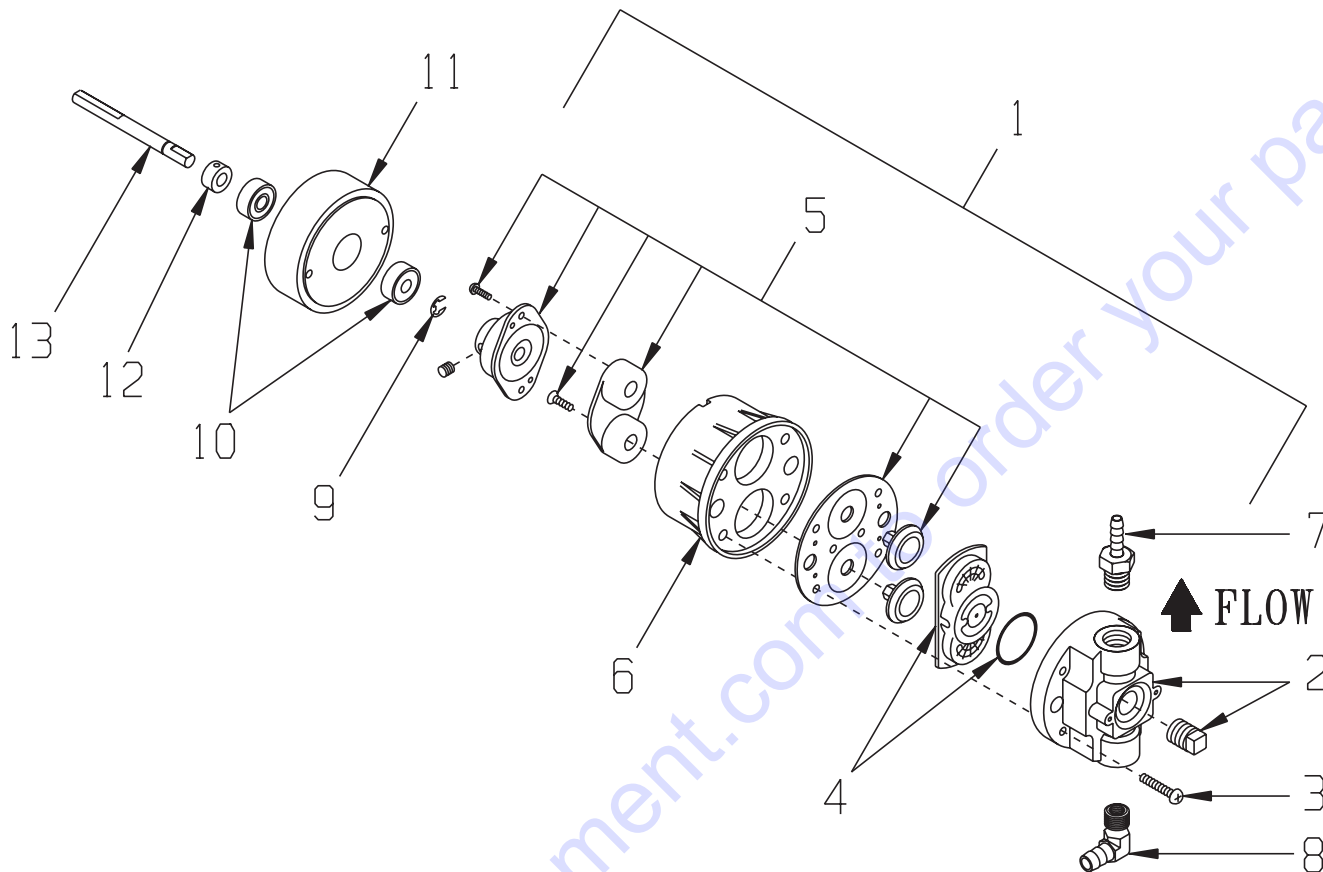
**ILLUSTRATION 7 : BELT & DRIVE SHAFT GROUPING**

ITEM #	PART #	DESCRIPTION	QTY.
1	40606	DECK, ARBOR	1
2	40629	BEARING, BALL 3/4" B	4
3	10960	FITTING, GREASE 1/4-28 X 45°	3
4	10961	FITTING, GREASE 1/4-28 X 90°	1
5	10816	SCREW, CAP 3/8-24 X 1-1/2	8
6	10025	WASHER, FLAT 3/8 SAE	16
7	10811	WASHER, LOCK 3/8	8
8	10014	NUT 3/8-24	8
9	10342	SCREW, CAP 5/16-18 X 1-1/2	1
10	10213	WASHER, FLAT 5/16 SAE	3
11	40391	BEARING, RADIAL BALL 5/16 X 7/8 X 11/32	3
12	40661	TENSIONER BAR, ARBOR BELT	1
13	10213	WASHER, FLAT 5/16 SAE	2
14	10801	WASHER, LOCK 5/16	2
15	10053	SCREW, CAP 5/16-18 X 3/4	2
16	40618	SHAFT, JACK 3/4 X 13-1/2" L	1

ITEM #	PART #	DESCRIPTION	QTY.
17	40694	SHEAVE 2.75" OD X 2GR.3V X 3/4" B	2
18	10016	KEY 3/16SQ X 1-1/2	2
19	40697	BELT 3VX-265 (ENGINES LISTED BELOW) HONDA GX160 & GX200 SUBARU EX17 & EX21	2
	53022	3VX-280 (ENGINES LISTED BELOW) HONDA GX270 & SUBARU EX27	2
20	10258	BELT 3VX-375	2
21	40611	COVER, ARBOR BELT	1
22	10018	SCREW, CAP 1/4-20 X 3/4	1
23	10602	WASHER, FLAT 1/4 SAE	2
24	10861	NUT, KEPS 1/4-20	1
25	40612	COVER END CAP, ARBOR BELT	1
26	10834	SCREW, CAP 1/4-20 X 1/2	4
27	10038	WASHER, LOCK 1/4	4
28	10602	WASHER, FLAT 1/4 SAE	4
29	40613	MOUNTING BRKT., BELT COVER	1
30	10053	SCREW, CAP 5/16-18 X 3/4	2
31	10807	NUT, LOCK 5/16-18	2



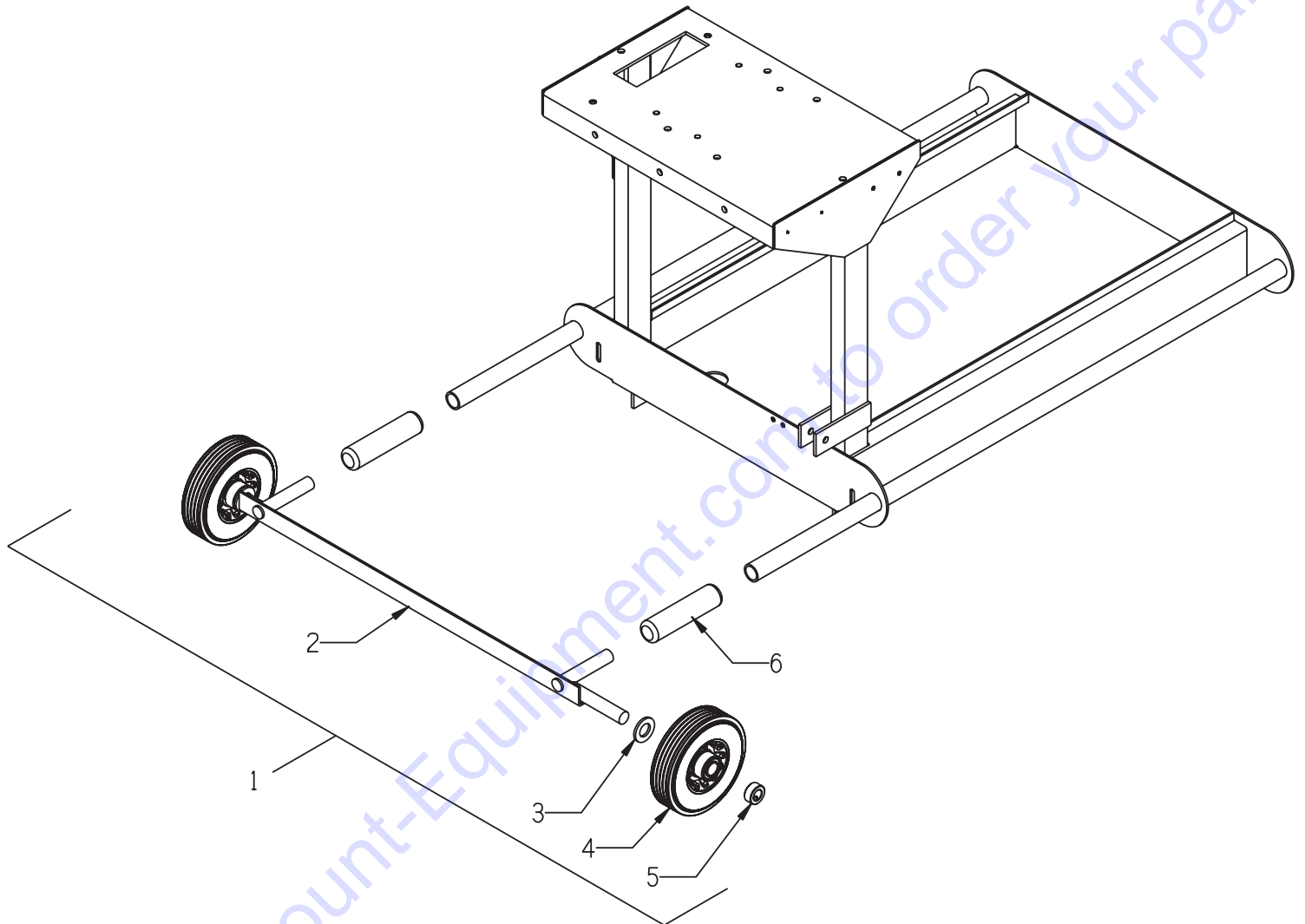
**ILLUSTRATION 8:  
WATER PUMP ASSEMBLY  
PART# 40685**



ITEM #	PART #	DESCRIPTION	QTY.
1	56101-S1	PUMP HEAD, DUPLEX 21050-653A	1
2	56101-S2	PUMP HOUSING BODY 20500-507	1
3	56101-S3	PUMP SCREWS (SET OF 6) 20131-001	1-SET
4	56101-S4	PUMP CHECK VALVE KIT 20028-008	1
5	56101-S5	PUMP DIAPHRAGM KIT W/ BRG 21004-401	1
6	56101-S6	PUMP HOUSING BEARING COVER 20428-100	1
7	40337	BARB, 1/4HOSE X 3/8MPT (BRASS)	1
8	36924	BARB ELBOW 90, 5/16HOSE X 3/8MPT (BRASS)	1
9	10137	RETAINING RING, E-CLIP 5/16"	1
10	40391	BEARING, RADIAL BALL 5/16X7/8X11/32	2
11	40393-S1	HUB, WATER PUMP	1
12	10415	COLLAR, LOCKING 5/16"ID	1
13	40393-S2	SHAFT, WATER PUMP 5/16 X 3-3/4	1

**ILLUSTRATION 9:  
OPTIONAL "TOTE-A-SAW"  
TRANSPORT WHEELS**

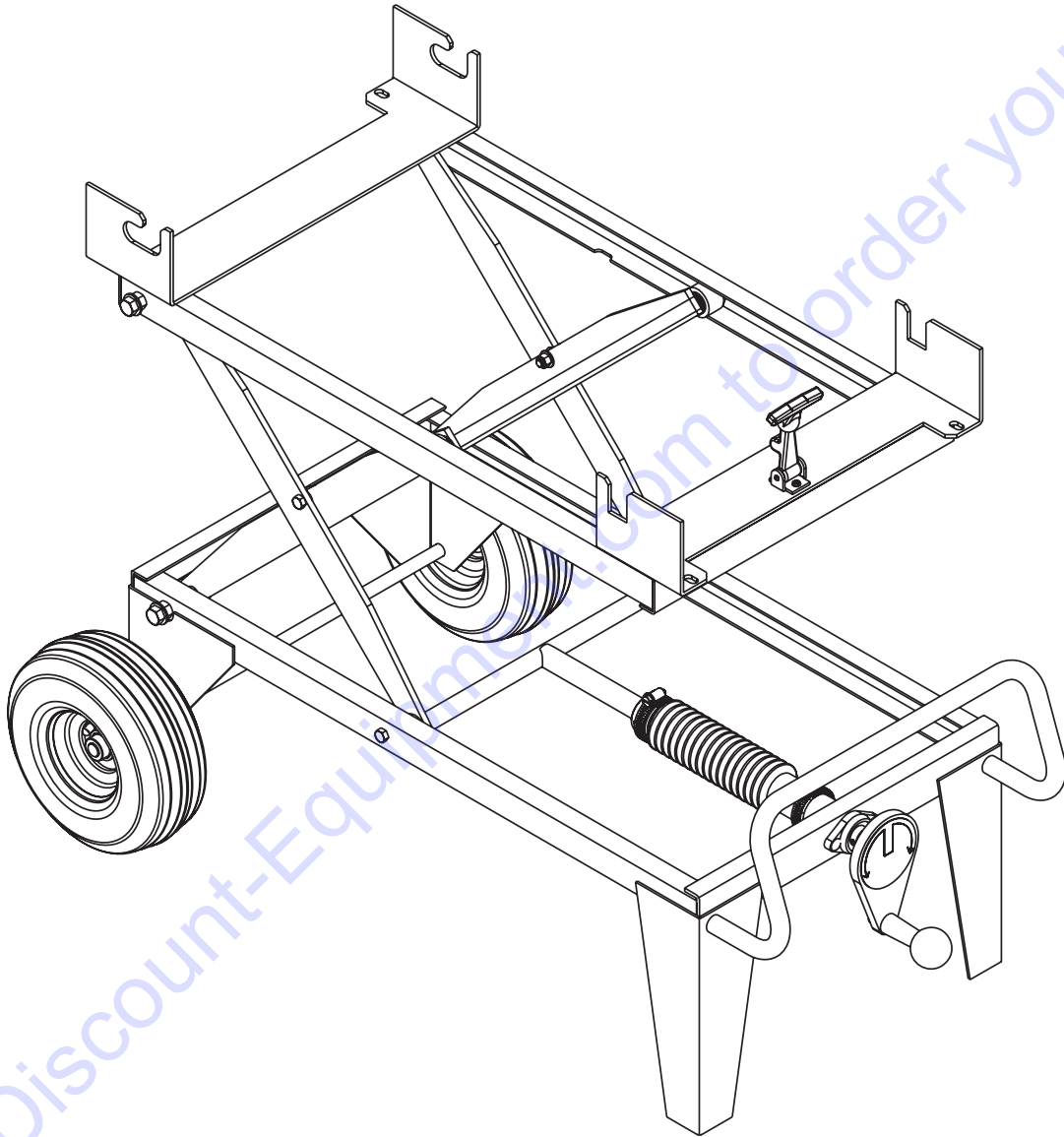
**PART # 40091**



ITEM #	PART #	DESCRIPTION	QTY.
1	40091	TOTE-A-SAW, BB14 SERIES (INCLUDES ITEMS 2 THRU 6)	1
2	40092	FRAME, TOTE-A-SAW	1
3	10009	WASHER, FLAT 3/4 SAE	2
4	80028	WHEEL 6 X 2 X 3/4"BRG.	2
5	10428	COLLAR, LOCKING 3/4"ID	2
6	61067	GRIP, FOAM 7/8"ID X 5"L	2

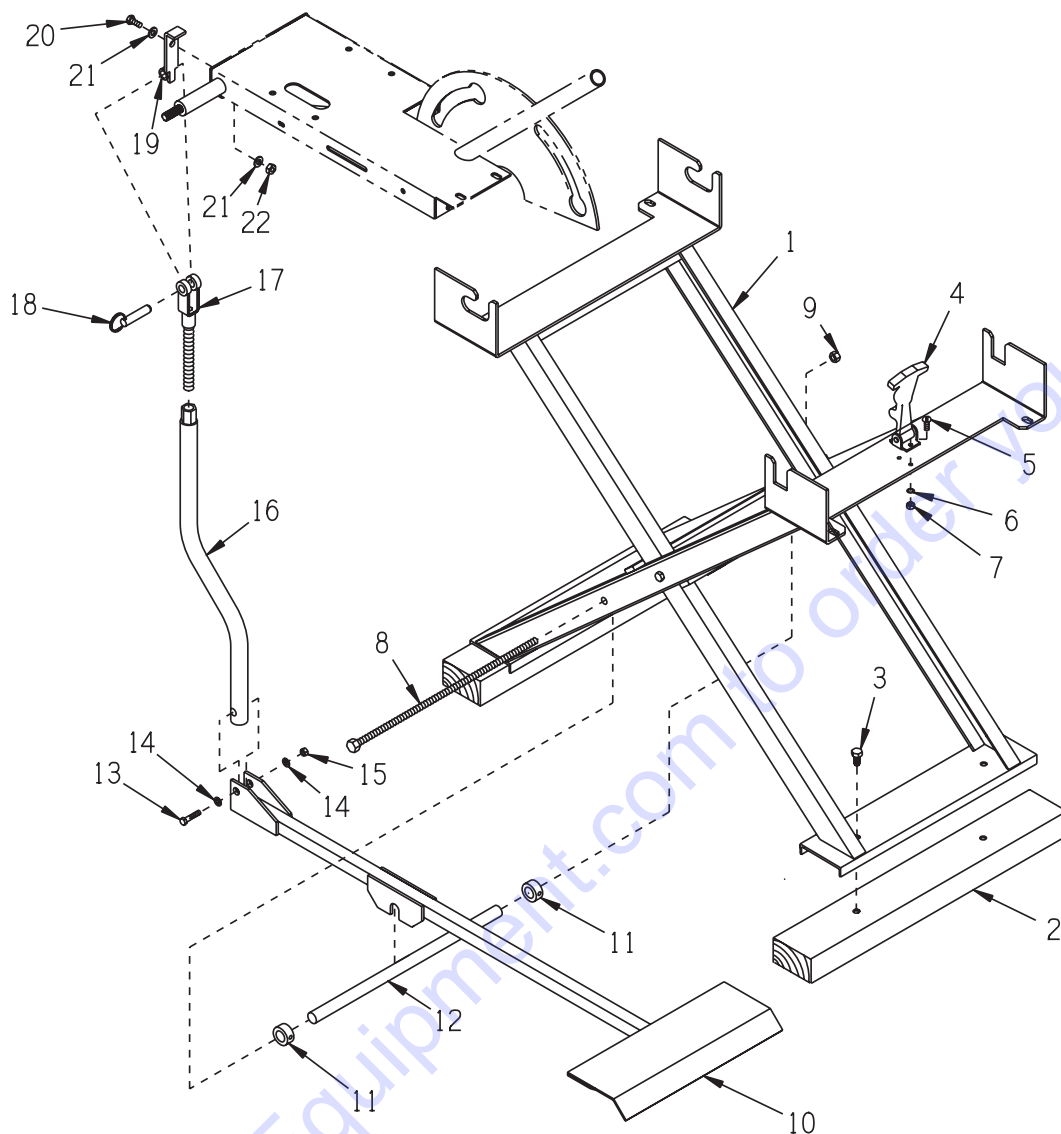
**ILLUSTRATION 10:  
OPTIONAL PROCART**

**PART # 24950**



Go to Discount-Equipment.com to order your parts

**ILLUSTRATION 11 : OPTIONAL STAND & FOOT PEDAL ASSEMBLY**

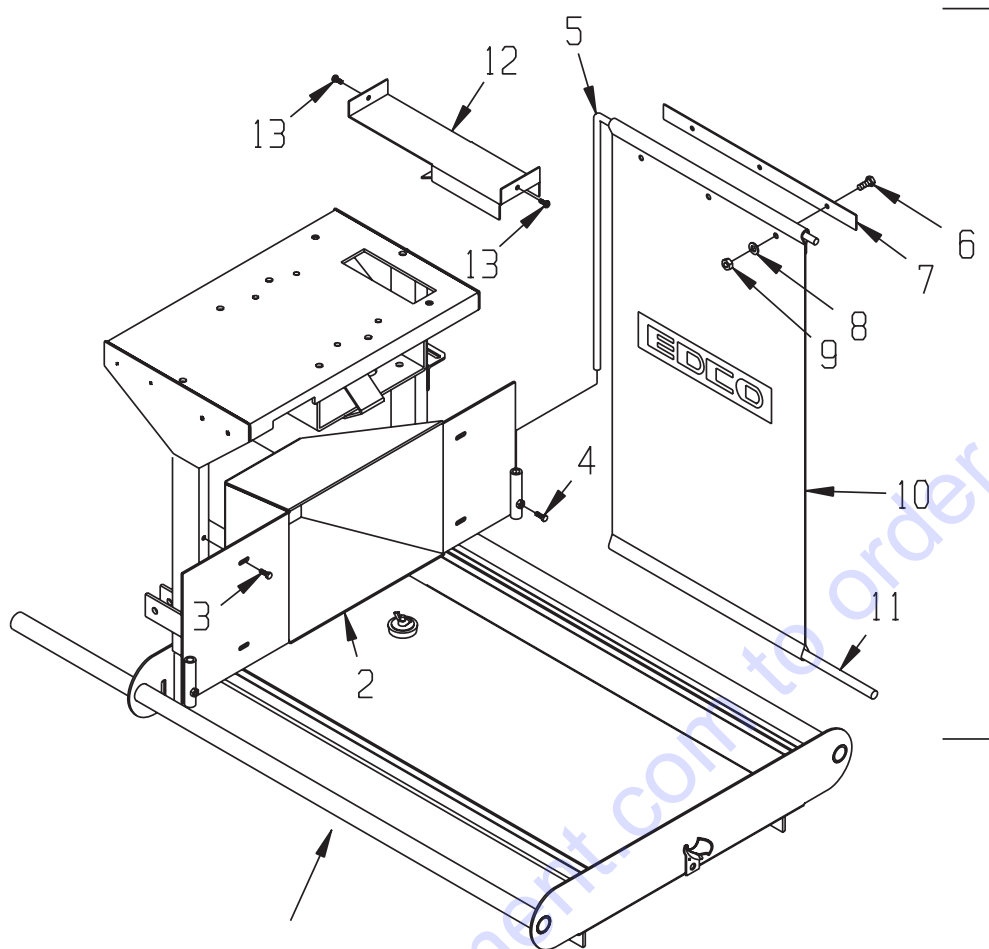


FOLDING STAND - PART #40631 (INCLUDES ITEMS 1-7)

FOOT PEDAL KIT - PART #40632 (INCLUDES ITEMS 8-22)

ITEM #	PART #	DESCRIPTION	QTY.	ITEM #	PART #	DESCRIPTION	QTY.
1	40631W	STAND ONLY	1	12	40634	FOOT PEDAL PIVOT TUBE	1
2	21801	SKID BOARD 2 X 4 X 24"L	2	13	10029	SCREW, CAP 3/8-24 X 1-3/4	1
3	10367	BOLT, LAG 3/8 X 1	4	14	10025	WASHER, FLAT 3/8 SAE	2
4	52002	LATCH, FLEXIBLE DRAW T	1	15	10004	NUT, LOCK 3/8-24	1
5	10830	SCREW, MACHINE 10-32 X 1/2	2	16	40635	FOOT PEDAL LINKAGE	1
6	-----	WASHER (DISCONTINUED)		17	41019	LINKAGE, CLEVIS	1
7	10832	NUT, KEPS 10-32	2	18	10125	PIN, DETENT RING 1/2 X 1-1/2	1
8	40383	BOLT, ALLTHRD 1/2-13 X 17-1/2	1	19	40688	MOUNT, FOOT PEDAL LINKAGE	1
9	10407	NUT, LOCK 1/2-13	1	20	10806	SCREW, CAP 5/16-18 X 1	1
10	40633	FOOT PEDAL	1	21	10213	WASHER, FLAT 5/16 SAE	2
11	10428	COLLAR, LOCKING 3/4"ID	2	22	10807	NUT, LOCK 5/16-18	1

**ILLUSTRATION 12 : OPTIONAL VACUUM HOOD SYSTEM**



PAN ASSEMBLY  
( NOT INCLUDED )

ITEM #	PART #	DESCRIPTION	QTY.
1	40660	VACUUM HOOD SYSTEM FOR BB14G (INCLUDES ITEMS 2 THRU 13)	1
2	40623	HOOD ONLY	1
3	10846	SCREW, CAP STSHW 1/4-20 X 1/2	4
4	10018	SCREW, CAP 1/4-20 X 3/4	2
5	41152	ROD, CURTAIN, DUST CONTROL SYSTEM	2
6	10018	SCREW, CAP 1/4-20 X 3/4	6
7	41153	BRACKET, CURTAIN	2
8	10602	WASHER, FLAT 1/4 SAE	6
9	10150	NUT, HEX NYLON LOCK 1/4-20	6
10	40375	CURTAIN 15" X 28" W/ LOGO	2
11	40377	CURTAIN ROD 1/2"DIA. X 13"L	2
12	40663	DEFLECTOR, DUST	1
13	10846	SCREW, CAP STSHW 1/4-20 X 1/2	2

# PARTS FINDER

**Search Website  
by Part Number**



**Search Manual  
Library For Parts  
Manual & Lookup Part  
Numbers – Purchase  
or Request Quote**

**Search Manuals**

Enter your information to search for a parts manual or lookup a part number.

\* Brand:

\* Model:

\* Serial:

\* Part Number:

SEARCH

**Can't Find Part or  
Manual? Request Help  
by Manufacturer,  
Model & Description**

**Parts Order Form**

Please fill in the following information:

Manufacturer:

Model:

Description:

Quantity:

Part Number:

Part Name:

Part Description:

Part Category:

Part Location:

Part Status:

Part Condition:

Part Material:

Part Color:

Part Weight:

Part Dimensions:

Part Price:

Part Notes:

Submit

Discount-Equipment.com is your online resource for quality parts & equipment.

Florida: **561-964-4949** Outside Florida TOLL FREE: **877-690-3101**

**Need parts?**

Click on this link: <http://www.discount-equipment.com/category/5443-parts/> and choose one of the options to help get the right parts and equipment you are looking for. Please have the machine model and serial number available in order to help us get you the correct parts. If you don't find the part on the website or on one of the online manuals, please fill out the request form and one of our experienced staff members will get back to you with a quote for the right part that your machine needs.

We sell worldwide for the brands: Genie, Terex, JLG, MultiQuip, Mikasa, Essick, Whiteman, Mayco, Toro Stone, Diamond Products, Generac Magnum, Airman, Haulotte, Barreto, Power Blanket, Nifty Lift, Atlas Copco, Chicago Pneumatic, Allmand, Miller Curber, Skyjack, Lull, Skytrak, Tsurumi, Husquvarna Target, Stow, Wacker, Sakai, Mi-T-M, Sullair, Basic, Dynapac, MBW, Weber, Bartell, Bennar Newman, Haulotte, Ditch Runner, Menegotti, Morrison, Contec, Buddy, Crown, Edco, Wyco, Bomag, Laymor, EZ Trench, Bil-Jax, F.S. Curtis, Gehl Pavers, Heli, Honda, ICS/PowerGrit, IHI, Partner, Imer, Clipper, MMD, Koshin, Rice, CH&E, General Equipment, Amida, Coleman, NAC, Gradall, Square Shooter, Kent, Stanley, Tamco, Toku, Hatz, Kohler, Robin, Wisconsin, Northrock, Oztec, Toker TK, Rol-Air, APT, Wylie, Ingersoll Rand / Doosan, Innovatech, Con X, Ammann, Mecalac, Makinex, Smith Surface Prep, Small Line, Wanco, Yanmar