



## PARTS LIST MANUAL

## MODEL DS18

GASOLINE  
MODELELECTRIC  
MODEL18" DOWNCUT - CONCRETE AND ASPHALT  
WALK BEHIND SAWS

SKU #	MODEL #	POWER OPTION
37100	DS18-13H	HONDA GASOLINE ENGINE MODEL GX390
37300	DS18-5B/230/1	BALDOR ELECTRIC MOTOR 5HP 1PH 60Hz 230V
37400-230	DS18-5B/230/3	BALDOR ELECTRIC MOTOR 5HP 3PH 60Hz 230V
37400-460	DS18-5B/460/3	BALDOR ELECTRIC MOTOR 5HP 3PH 60Hz 460V
37400-50/220	DS18-5B/50/220/3	BALDOR ELECTRIC MOTOR 5HP 3PH 50Hz 230V
37400-50/380	DS18-5B/50/380/3	BALDOR ELECTRIC MOTOR 5HP 3PH 50Hz 400V
37400-50/440	DS18-5B/50/440/3	BALDOR ELECTRIC MOTOR 5HP 3PH 50Hz 400V

**READ AND UNDERSTAND THE OPERATOR'S SAFETY MANUAL THOROUGHLY  
BEFORE ATTEMPTING TO OPERATE THIS EQUIPMENT.**

Death or serious injury could occur if this machine is used improperly.

Machine specific Operator's Instruction Manuals are offered at [www.discount-equipment.com](http://www.discount-equipment.com) READ AND UNDERSTAND  
THE ENGINE MANUFACTURERS INSTRUCTIONS AND OPERATORS MANUAL BEFORE OPERATION.



# PARTS FINDER

**Search Website  
by Part Number**



**Search Manual  
Library For Parts  
Manual & Lookup Part  
Numbers – Purchase  
or Request Quote**

**Search Manuals**

Enter your information to help us find the right parts manual for your machine.

\* Brand:

\* Model:

\* Serial:

\* Part Number:

SEARCH

**Can't Find Part or  
Manual? Request Help  
by Manufacturer,  
Model & Description**

**Parts Order Form**

Please fill in the following information to help us find the right part for your machine.

Manufacturer:	<input type="text"/>
Model:	<input type="text"/>
Description:	<input type="text"/>
Part Number:	<input type="text"/>
Quantity:	<input type="text"/>
Notes:	<input type="text"/>

Submit

Discount-Equipment.com is your online resource for quality parts & equipment.

Florida: **561-964-4949** Outside Florida TOLL FREE: **877-690-3101**

**Need parts?**

Click on this link: <http://www.discount-equipment.com/category/5443-parts/> and choose one of the options to help get the right parts and equipment you are looking for. Please have the machine model and serial number available in order to help us get you the correct parts. If you don't find the part on the website or on one of the online manuals, please fill out the request form and one of our experienced staff members will get back to you with a quote for the right part that your machine needs.

We sell worldwide for the brands: Genie, Terex, JLG, MultiQuip, Mikasa, Essick, Whiteman, Mayco, Toro Stone, Diamond Products, Generac Magnum, Airman, Haulotte, Barreto, Power Blanket, Nifty Lift, Atlas Copco, Chicago Pneumatic, Allmand, Miller Curber, Skyjack, Lull, Skytrak, Tsurumi, Husquvarna Target, Stow, Wacker, Sakai, Mi-T-M, Sullair, Basic, Dynapac, MBW, Weber, Bartell, Bennar Newman, Haulotte, Ditch Runner, Menegotti, Morrison, Contec, Buddy, Crown, Edco, Wyco, Bomag, Laymor, EZ Trench, Bil-Jax, F.S. Curtis, Gehl Pavers, Heli, Honda, ICS/PowerGrit, IHI, Partner, Imer, Clipper, MMD, Koshin, Rice, CH&E, General Equipment, Amida, Coleman, NAC, Gradall, Square Shooter, Kent, Stanley, Tamco, Toku, Hatz, Kohler, Robin, Wisconsin, Northrock, Oztec, Toker TK, Rol-Air, APT, Wylie, Ingersoll Rand / Doosan, Innovatech, Con X, Ammann, Mecalac, Makinex, Smith Surface Prep, Small Line, Wanco, Yanmar



## SAFETY INFORMATION



### SAFETY MESSAGES

• Safety Instructions are preceded by a graphic alert symbol of DANGER, WARNING, or CAUTION.

#### DANGER

Indicates an imminent hazard which, if not avoided, will result in death or serious injury.

#### WARNING

Indicates an imminent hazard which, if not avoided, can result in death or serious injury.

#### CAUTION

Indicates hazards which, if not avoided, could result in serious injury and or damage to the equipment.

### GASOLINE / PROPANE POWERED EQUIPMENT

#### WARNING

• Engine exhaust from this product contains chemicals known to the State of California to cause cancer, birth defects or other reproductive harm.

#### WARNING

• Tilting a gasoline powered machine fitted with an EPA approved vented charcoal filter gas cap, beyond 20° can cause fuel leakage. If a leak occurs, do not start or run the engine until the leak is fixed. Eliminate all other ignition sources in the immediate area (no smoking, flares, sparks or flames). Use approved gasoline absorbing material to contain the fuel leakage. Then use clean, non-sparking tools to collect absorbed materials then dispose of these contaminants properly.



• Gasoline is extremely flammable and poisonous. It should only be dispensed in well ventilated areas, and with a cool engine.

• Small gasoline engines produce high concentrations of carbon monoxide (CO) example: a 5 HP 4 cycle engine operation in an enclosed 100,000 cu. ft. area with only one change of air per hour is capable of providing deadly concentrations of CO in less than fifteen minutes. Five changes of air in the same area will produce noxious fumes in less than 30 minutes. Gasoline powered equipment should not be used in enclosed or partially enclosed areas. Symptoms of CO poisoning include, head-ache, nausea, weakness, dizziness, visual problems and loss of consciousness. If symptoms occur - get into fresh air and seek medical attention immediately.

• Never refuel a hot engine or an engine while it is running.

• Engines are shipped from factory without fuel/oil.



• Propane is extremely flammable and is heavier than air and tends to settle in low areas where a spark or flame could ignite gas. DO NOT start or operate this propane engine in a poorly ventilated area where leaking propane gas could accumulate and endanger safety of persons in area. If headache develops, shut off machine. Have it checked for carbon monoxide emissions by a qualified technician before using it again. To ensure personal safety, installation and repair of propane fuel supply systems must be performed only by qualified technicians. Carbon monoxide emissions from this machine are greatly increased due to a dirty combustion air cleaner.

### ELECTRICAL POWERED EQUIPMENT



Extreme care must be taken when operating electric models with water present: Ensure power cord is properly grounded, is attached to a Ground-Fault-Interrupter (GFI) outlet, and is undamaged.

- Check all electrical cables - be sure connections are tight and cable is continuous and in good condition. Be sure cable is correctly rated for both the operating current and voltage of this equipment.
- Improper connection of the equipment grounding conductor can result in a risk of electric shock. Check with qualified electrician or service person if there is any doubt as to whether the outlet is properly grounded. Adhere to all local codes and ordinances.
- NOTE: In the event of a malfunction or breakdown, grounding provides a path of least resistance for the electric current to dissipate. The motor is equipped with a grounded plug and must be connected to an outlet that is properly installed and properly grounded. DO NOT modify the plug provided on the motor. If the plug does not fit the outlet have a qualified electrician install the proper receptacle.

### ELECTRICAL POWERED EQUIPMENT CONTINUED

- Do not disconnect power by pulling cord. To disconnect, grasp the plug, not the cord.
- Unplug power cord at the machine when not in use and before servicing.
- Switch motor OFF before disconnecting power.
- Never use frayed, damaged, taped or under rated extension cords. Electrical shock could result in death or serious injury to the operator and damage to the equipment.
- Assure you are using the proper extension cord length.

### GENERAL INSTRUCTIONS

- Equipment should only be operated by trained personnel in good physical condition and mental health (not fatigued). The operator and maintenance personnel must be physically able to handle the bulk weight and power of this equipment.
- This is a one person tool. Maintain a safe operating distance to other personnel. It is the operators' responsibility to keep other people (workers, pedestrians, bystanders, etc.) away during operation. Block off the work area in all directions with roping, safety netting, etc. Failure to do so may result in others being injured by flying debris or exposing them to harmful dust and noise.
- This equipment is intended for commercial use only.
- For the operator's safety and the safety of others, always keep all guards in place during operation.
- Never let equipment run unattended.



- Personal Protection Equipment and proper safety attire must be worn when operating this machinery. The operator must wear approved safety equipment appropriate for the job such as hard hat and safety shoes when conditions require. Hearing protection MUST be used when operational noise levels of this equipment may exceed 85db. Eye protection MUST be worn at all times.



Keep body parts, loose clothing and accessories away from moving parts. Failure to do so could result in dismemberment or death.

- Do not modify the machine.
- Stop motor/engine when adjusting or servicing this equipment. Maintain a safe operating distance from flammable materials. Sparks from the cutting-action of this machine can ignite flammable materials or vapors.



### DUST WARNING

#### WARNING

Some dust created by power sanding, sawing, grinding, drilling, and other construction activities contains chemicals known to cause cancer, birth defects, or other reproductive harm. Materials being removed can be toxic or hazardous. A breathing respirator is required to help protect the operator. Some examples of these chemicals are:

- Lead from lead-based paints.
- Crystalline silica from bricks, concrete and other masonry products. Your risk of exposure to these chemicals varies depending on how often you do this type of work. To reduce your risk: work in a well ventilated area, use a dust control system, such as an industrial-style vacuum, and wear approved personal safety equipment, such as a dust/particle respirator designed to filter out microscopic particles.
- See more on the importance of dust prevention and silica warnings at: [osha.gov/silica](http://osha.gov/silica)

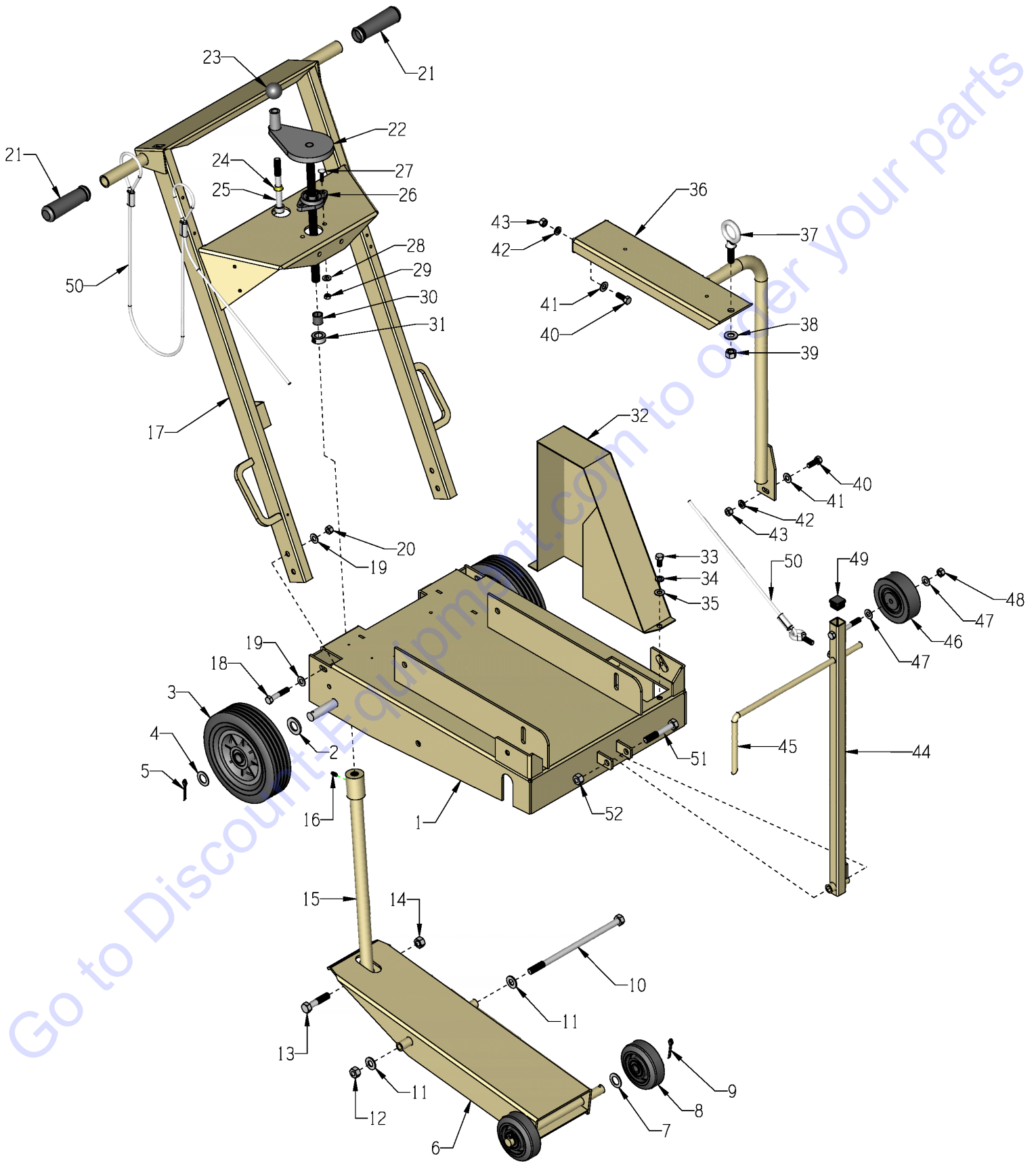
# PARTS LIST MANUAL

## MODEL DS18

### TABLE OF CONTENTS

<u>Section</u>	<u>Page Number</u>
Safety Information .....	2
How To Order Replacement Parts .....	3
Illustration 1: Main Grouping .....	4, 5
Illustration 2: Arbor & Blade Guard Grouping .....	6, 7
Illustration 3: Engine Grouping .....	8, 9
Illustration 4: Single Phase Motor Grouping .....	10, 11
Illustration 5: Three Phase Motor Grouping .....	12, 13, 14
Illustration 6: Optional Water Tank Assembly .....	15
Wiring Diagram for Rotary Cam Switch .....	16
Wiring Diagram for Starter & Remote Switch .....	17
Wiring Diagram for 1 Phase Motor - Baldor L3608TM .....	18
Wiring Diagram for 3 Phase 60Hz Motor - Baldor M3613T .....	19
Wiring Diagram for 3 Phase 50Hz Motor - Baldor M3615T-50 .....	20
Wiring Diagram for Honda Engine .....	21
Decals .....	22, 23
Notes .....	26
Limited Equipment Warranty of Sale .....	27
STOP - Before Using This Product .....	28

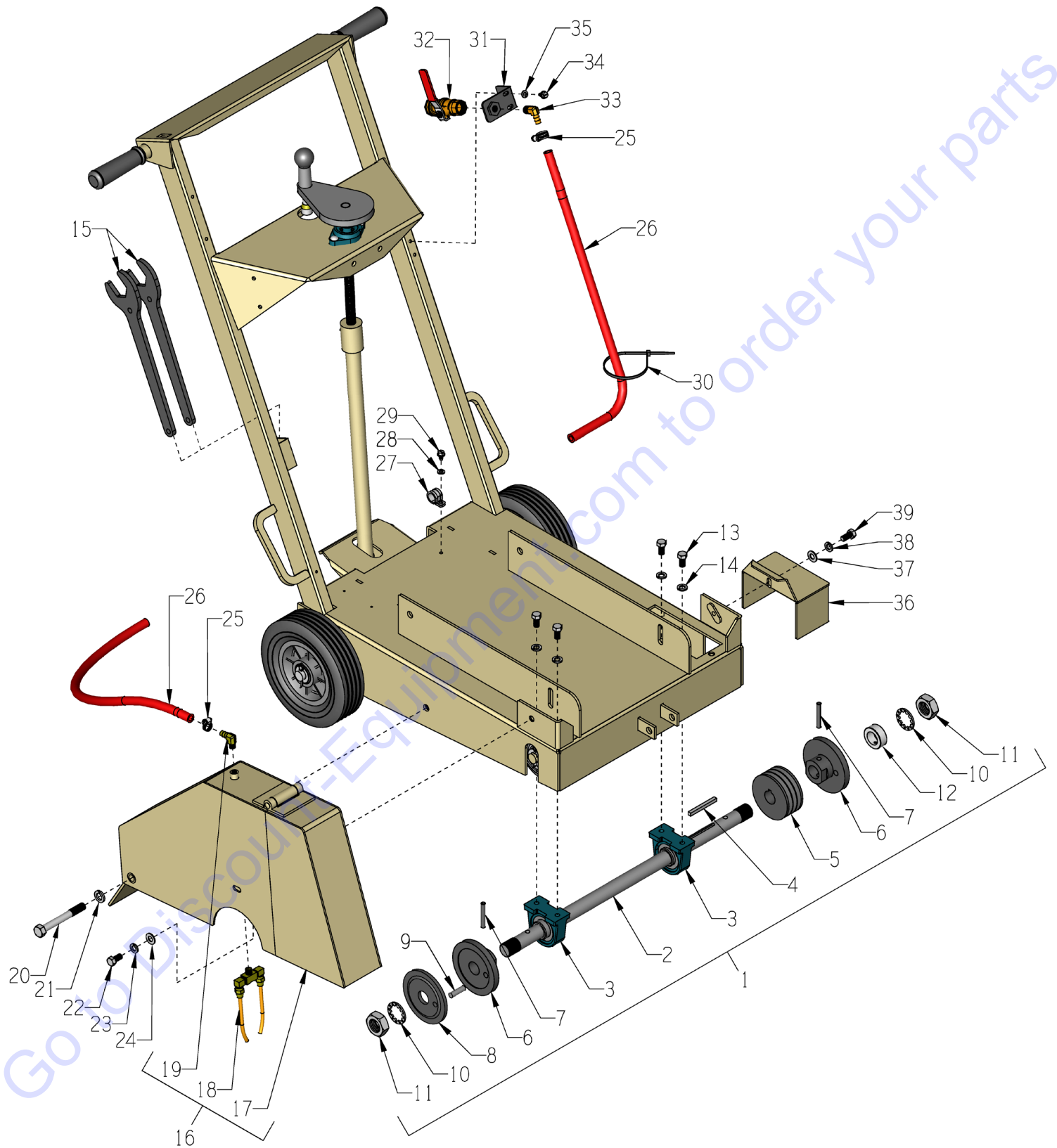
ILLUSTRATION 1: MAIN GROUPING



## PARTS LISTING - ILLUSTRATION 1: MAIN GROUPING

ITEM	PART #	DESCRIPTION	QTY.	ITEM	PART #	DESCRIPTION	QTY.
1	56301	MAIN FRAME, DS-18	1	27	10412	BOLT, CARRIAGE 1/4-20 X 1 FT	2
2	10009	WASHER, FLAT 3/4 SAE ZINC	2	28	10602	WASHER, FLAT 1/4 SAE ZINC	2
3	79013	WHEEL, 8 X 2-1/2 X 3/4"BRG. POLY HUB	2	29	10150	NUT, HEX NYLON LOCK 1/4-20	2
4	11597	WASHER .755"ID X 1.25"OD X .060"THK	2	30	55010	SPACER, HANDWHEEL 5/8"ID X 3/4"L	1
5	10306	PIN, COTTER 3/16 X 1-1/2	2	31	10096	COLLAR, LOCKING 5/8"ID	1
6	56302	FORK, DS-18	1	32	56206	COVER, BELT	1
7	11597 10009	WASHER .755"IDx1.25"ODx.060"THK WASHER, FLAT 3/4 SAE ZINC	AS R'D.	33	10907	SCREW, CAP 3/8-16 X 3/4	2
8	52001	WHEEL 4 X 1-1/2 X 3/4"BRG. ALUM/RUB	2	34	10811	WASHER, LOCK 3/8 ZINC	2
9	10306	PIN, COTTER 3/16 X 1-1/2	2	35	10025	WASHER, FLAT 3/8 SAE ZINC	2
10	65239	SCREW, CAP 1/2-13 X 10	1	36	56305	LIFTING BAIL, DS-18	1
11	10312	WASHER, FLAT 1/2 SAE ZINC	2	37	10837	BOLT, EYE 1/2-13 X 1-1/2 X 1-1/8"ID	1
12	10155	NUT, HEX NYLON LOCK 1/2-13	1	38	10312	WASHER, FLAT 1/2 SAE ZINC	1
13	10347	SCREW, CAP 1/2-20 X 2-1/4	1	39	10155	NUT, HEX NYLON LOCK 1/2-13	1
14	10154	NUT, HEX NYLON LOCK 1/2-20	1	40	10055	SCREW, CAP 3/8-16 X 1	3
15	56204	LINKAGE, CUT CONTROL	1	41	10025	WASHER, FLAT 3/8 SAE ZINC	3
16	10808	FITTING, GREASE 1/4-28 STR.	1	42	10811	WASHER, LOCK 3/8 ZINC	3
17	56303	HANDLE BAR, DS-18	1	43	10156	NUT, HEX NYLON LOCK 3/8-16	3
18	10317	SCREW, CAP 3/8-16 X 2	4	44	56304	GUIDE BAR, DS18	1
19	10025	WASHER, FLAT 3/8 SAE ZINC	8	45	51012	GUIDE POINTER, FRONT	1
20	10156	NUT, HEX NYLON LOCK 3/8-16	4	46	50024	WHEEL 4 X 1-3/8 X 3/8"BORE	1
21	10608	GRIP, HAND 1" MODEL AT	2	47	10025	WASHER, FLAT 3/8 SAE ZINC	2
22	51075	HANDWHEEL, LARGE W/ 5/8-8 X 13"ROD	1	48	10156	NUT, HEX NYLON LOCK 3/8-16	1
23	14023	KNOB, BALL 1-3/8 W/ 1/2-13THD	1	49	51078	PLUG, SQ. TUBE 1 X 14 GA., BLACK	1
24	50550	SLEEVE, BRASS 1/2" TAPERED	1	50	56221	ROPE, GUIDE BAR	1
25	10346	SCREW, SHC 1/2-13 X 4-1/2	1	51	10499	SCREW, CAP 1/2-13 X 3	1
26	80009	BEARING, BALL 5/8" 2-HOLE (NO G.F.)	1	52	10155	NUT, HEX NYLON LOCK 1/2-13	1

# ILLUSTRATION 2: ARBOR & BLADE GUARD GROUPING

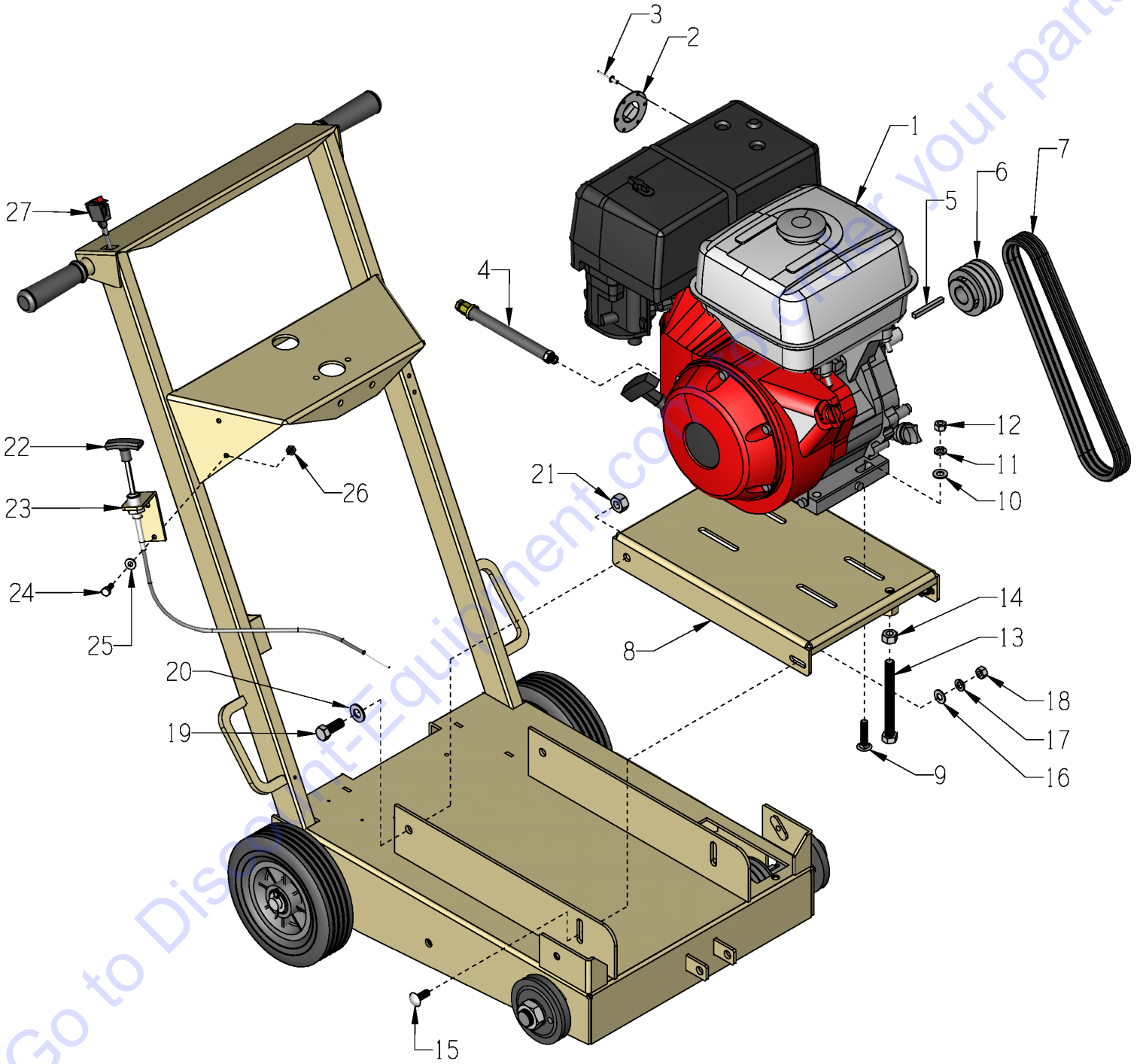


<b>PARTS LISTING - ILLUSTRATION 2: ARBOR &amp; BLADE GUARD GROUPING</b>			
ITEM #	PART #	DESCRIPTION	QTY.
1	56320A	ARBOR ASSY. COMPLETE, DS-18 (INCLUDES ITEMS 2 THRU 12)	1
2	56208	ARBOR SHAFT 23-3/8"L	1
3	50222	BEARING, BALL 1" TPB	2
4	10071	KEY 1/4SQ X 2-1/2	1
5	56235	SHEAVE 3.35"OD X 3GR.3V X 1"BORE	1
6	56308	ARBOR BACKING PLATE 4-1/2", DS-18	2
7	10211	PIN, ROLL 5/16 X 2	2
8	56309	ARBOR BLADE CAP 4-1/2", DS-18 (INCLUDES SHEAR PROOF PIN, ITEM 9)	1
9	10129	PIN, SHEAR PROOF 3/8 X 1-1/4	1
10	55009	WASHER, LOCK, INT. TOOTH 1"	2
11	50019	NUT, HEX JAM 1-14 ZINC GRADE A	2
12	10427	COLLAR, LOCKING 1"ID	1
13	10907	SCREW, CAP 3/8-16 X 3/4	4
14	10811	WASHER, LOCK 3/8 ZINC	4
15	50445	WRENCH, ARBOR, 1-1/2" OPEN END	2
16	56306C	GUARD, BLADE 18", ASSY. COMPLETE (INCLUDES ITEM 17, 18, & 19)	1
17	56306	BLADE GUARD 18", DS-18	1
18	81004	NOZZLE, COOLANT 1/8MPT W/ 4"TUBES	1
19	11562	BARB ELBOW 90, 3/8HOSE X 1/8MPT	1
20	10386	SCREW, CAP 1/2-13 X 4-1/2	1
21	10045	WASHER, LOCK 1/2 ZINC	1
22	10907	SCREW, CAP 3/8-16 X 3/4	1
23	10811	WASHER, LOCK 3/8 ZINC	1
24	10025	WASHER, FLAT 3/8 SAE ZINC	1
25	10714	CLAMP, HOSE, SAE #4, ADJ. TO 5/8"	2
26	56317	HOSE, WATER 3/8"ID X 48"L	1
27	11565	CLAMP, LOOM, 5/8" (SAE SIZE 10)	1
28	10038	WASHER, LOCK 1/4 ZINC	1
29	10846	SCREW, CAP STSHW 1/4-20 X 1/2	1
30	10982	TIE, CABLE, BLACK NYLON 11-1/4"	2
31	56022	BRACKET, WATER VALVE	1
32	10711A	VALVE & HOSE CONNECTOR ASSY. (INCL. 10711 & 80021)	1
	10711	VALVE, BALL 1/2 FPT	1
	80021	CONN., SWIVEL FEM. 3/4HOSE X 1/2MPT	1
33	10799	BARB ELBOW 90, 3/8HOSE X 1/4MPT	1
34	10846	SCREW, CAP STSHW 1/4-20 X 1/2	2
35	10038	WASHER, LOCK 1/4 ZINC	2
36	56307	COVER, ARBOR, DS-18	1
37	10025	WASHER, FLAT 3/8 SAE ZINC	1
38	10811	WASHER, LOCK 3/8 ZINC	1
39	10907	SCREW, CAP 3/8-16 X 3/4	1



# MODEL DS18-13H

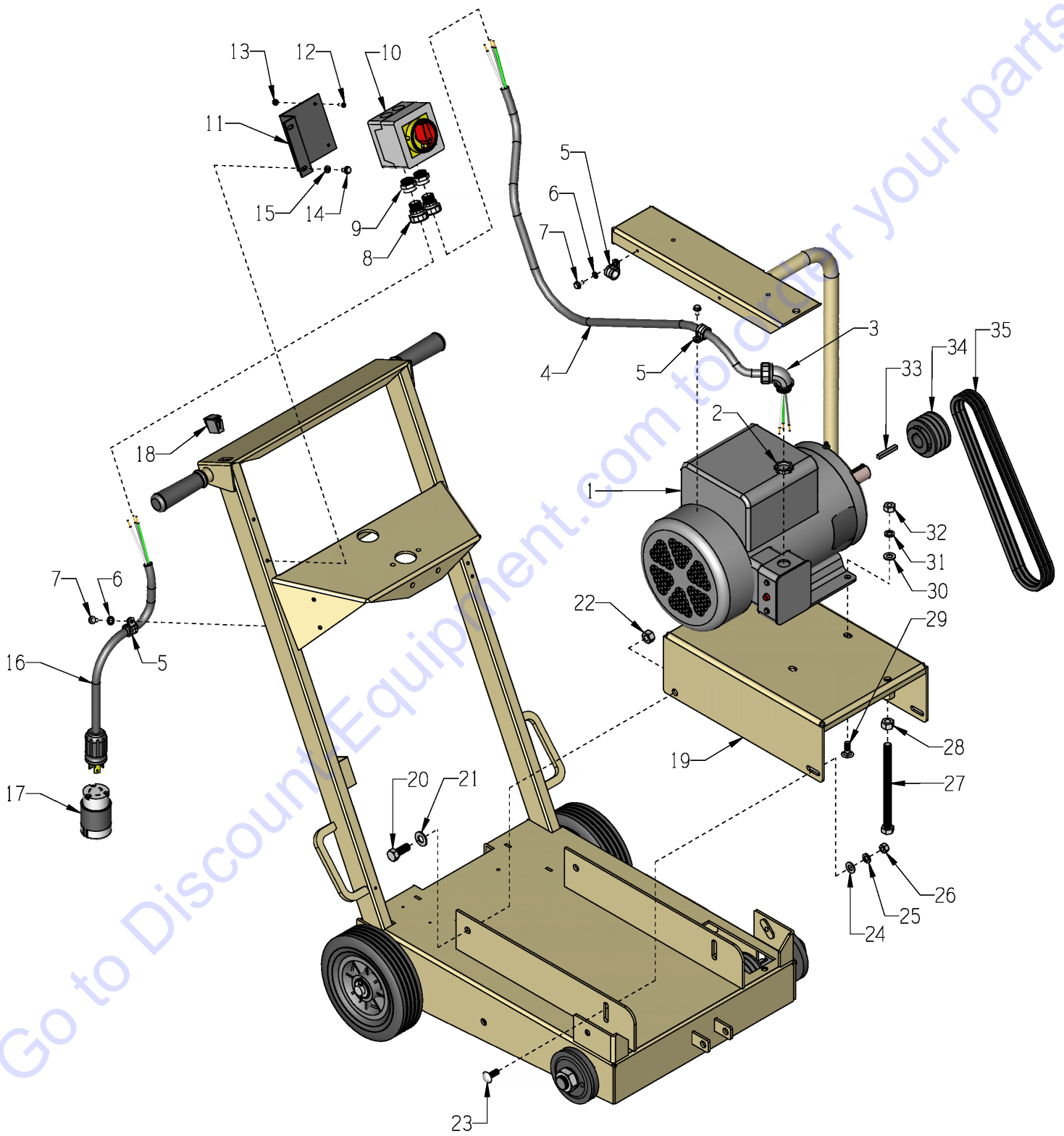
## ILLUSTRATION 3: ENGINE GROUPING



<b>PARTS LISTING - ILLUSTRATION 3: ENGINE GROUPING</b>			
ITEM #	PART #	DESCRIPTION	QTY.
1	15029	ENGINE, HONDA GX390UT2QC9 WITH CYCLONE AIR CLEANER	1
2	10625	MUFFLER CAP, HONDA #18331-ZE3-811	1
3	10128	RIVET, BLIND 1/8 X .275L X .250HD	2
4	<b>56234</b>	<b>OIL DRAIN KIT, DS18 SB14 C10</b>	1
		REPLACEMENT PARTS:	
	10776	PIPE PLUG 1/4 NPT (BRASS)	1
	11544	BARB, PUSH-ON 3/8 HOSE X 1/4FPT	1
	11542	BARB, PUSH-ON 3/8HOSE X M12-1.5MALE (ENGINE)	1
	56226	HOSE, PUSH-ON 3/8"ID X 6"L	1
5	10307	KEY 1/4SQ X 2-1/4	1
6	65238	SHEAVE 2.8"OD X 3GR.3V X 1"BORE	1
7	10201	BELT 3VX-335	3
8	56212	MOUNT, ENGINE, DS-18	1
9	10087	BOLT, CARRIAGE 3/8-16 X 1-3/4	3
	10917	BOLT, CARRIAGE 3/8-16 X 2	1
10	10025	WASHER, FLAT 3/8 SAE ZINC	4
11	10811	WASHER, LOCK 3/8 ZINC	4
12	10404	NUT, HEX 3/8-16 ZINC	5
13	10392	BOLT, TAP 1/2-13 X 4 (FULL THREAD)	1
14	10417	NUT, HEX 1/2-13 ZINC	1
15	10802	BOLT, CARRIAGE 3/8-16 X 1 ZINC	2
16	10025	WASHER, FLAT 3/8 SAE ZINC	2
17	10811	WASHER, LOCK 3/8 ZINC	2
18	10404	NUT, HEX 3/8-16 ZINC	2
19	10321	SCREW, CAP 1/2-20 X 1-1/4	2
20	10312	WASHER, FLAT 1/2 SAE ZINC	2
21	10154	NUT, HEX NYLON LOCK 1/2-20 ZINC	2
22	51081	CABLE, TURN-TO-LOCK CONTROL 72" (HOUSING CUT TO 24"AND WIRE CUT TO 27")	1
23	64075	MOUNT BRKT., THROTTLE CABLE	1
24	10018	SCREW, CAP 1/4-20 X 3/4	2
25	10602	WASHER, FLAT 1/4 SAE ZINC	2
26	10150	NUT, HEX NYLON LOCK 1/4-20 ZINC	2
27	<b>15201A</b>	<b>SWITCH W/ WIRES, ROCKER RED ON-OFF</b>	1
		ADDITIONAL PARTS REQ'D. (NOT SHOWN):	
	10976	TERM., RING 3/8 12-10GA. INSULATED	1
	10453	WASHER, LOCK, INT. TOOTH 3/8"	1
	10970	CONN., WIRE QUICK-SPLICE 18-14 GA.	1
	36042	CLIP, NATURAL CORD, 1/8" X 1/4"	5

MODEL DS18-5B/230/1

ILLUSTRATION 4: SINGLE PHASE MOTOR GROUPING



# PARTS FINDER

**Search Website  
by Part Number**



**Search Manual  
Library For Parts  
Manual & Lookup Part  
Numbers – Purchase  
or Request Quote**

**Search Manuals**

Enter your information to help us find the right parts manual for your machine.

\* Brand:

\* Model:

\* Serial:

\* Part Number:

SEARCH

**Can't Find Part or  
Manual? Request Help  
by Manufacturer,  
Model & Description**

**Parts Order Form**

Please fill in the following information to help us find the right part for your machine.

Manufacturer:	<input type="text"/>
Model:	<input type="text"/>
Description:	<input type="text"/>
Part Number:	<input type="text"/>
Quantity:	<input type="text"/>
Notes:	<input type="text"/>

Submit

Discount-Equipment.com is your online resource for quality parts & equipment.

Florida: **561-964-4949** Outside Florida TOLL FREE: **877-690-3101**

**Need parts?**

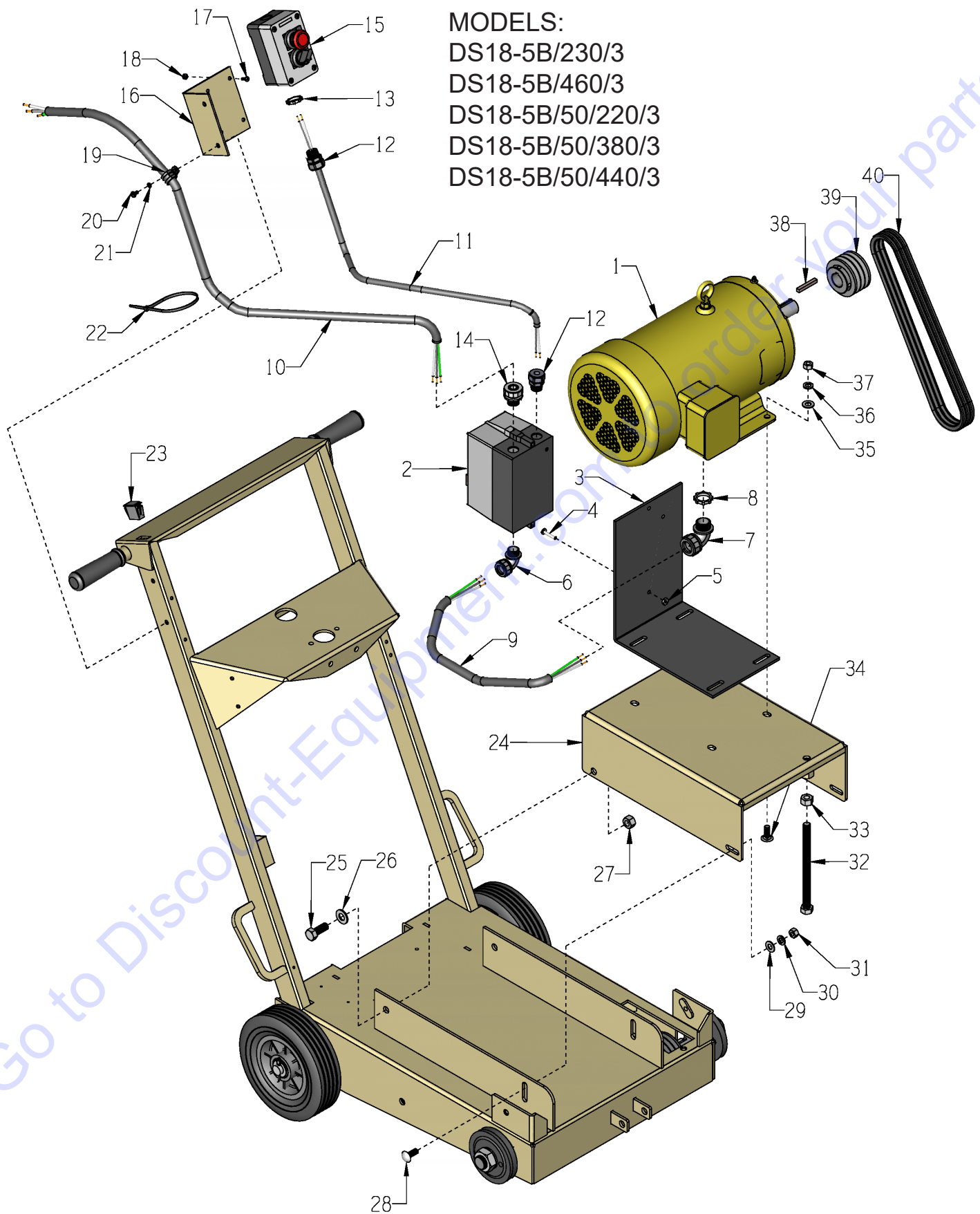
Click on this link: <http://www.discount-equipment.com/category/5443-parts/> and choose one of the options to help get the right parts and equipment you are looking for. Please have the machine model and serial number available in order to help us get you the correct parts. If you don't find the part on the website or on one of the online manuals, please fill out the request form and one of our experienced staff members will get back to you with a quote for the right part that your machine needs.

We sell worldwide for the brands: Genie, Terex, JLG, MultiQuip, Mikasa, Essick, Whiteman, Mayco, Toro Stone, Diamond Products, Generac Magnum, Airman, Haulotte, Barreto, Power Blanket, Nifty Lift, Atlas Copco, Chicago Pneumatic, Allmand, Miller Curber, Skyjack, Lull, Skytrak, Tsurumi, Husquvarna Target, Stow, Wacker, Sakai, Mi-T-M, Sullair, Basic, Dynapac, MBW, Weber, Bartell, Bennar Newman, Haulotte, Ditch Runner, Menegotti, Morrison, Contec, Buddy, Crown, Edco, Wyco, Bomag, Laymor, EZ Trench, Bil-Jax, F.S. Curtis, Gehl Pavers, Heli, Honda, ICS/PowerGrit, IHI, Partner, Imer, Clipper, MMD, Koshin, Rice, CH&E, General Equipment, Amida, Coleman, NAC, Gradall, Square Shooter, Kent, Stanley, Tamco, Toku, Hatz, Kohler, Robin, Wisconsin, Northrock, Oztec, Toker TK, Rol-Air, APT, Wylie, Ingersoll Rand / Doosan, Innovatech, Con X, Ammann, Mecalac, Makinex, Smith Surface Prep, Small Line, Wanco, Yanmar

<b>PARTS LISTING - ILLUSTRATION 4: SINGLE PHASE MOTOR GROUPING</b>			
ITEM #	PART #	DESCRIPTION	QTY.
1	<b>81026</b>	<b>MOTOR, BALDOR 5HP-1PH 60HZ 3450RPM L3608TM</b>	1
		<b>REPLACEMENT PARTS:</b>	
	16121	CAPACITOR, START, EC1161C06, 161-193MFD, 250V	2
	16164	CAPACITOR, RUN, OC3040F09SP, 40MFD, 370V	1
	16540	RESET BUTTON, BALDOR TPBRT25DB	1
2	10740	CONDUIT LOCK NUT 3/4 NP (INSIDE JUNCTION BOX)	1
3	16539	STRAIN RELIEF 90D X 3/4NPT .50-.625	1
4	56318	WIRE HARNESS 10/3 X 54"LOA, DS18	1
5	11565	CLAMP, LOOM, 5/8" (SAE SIZE 10)	4
6	10831	WASHER, LOCK, INT. TOOTH #10	3
7	10877	SCREW, CAP STSHW 10-24 X 1/2	3
8	41130	STRAIN RELIEF 1/2NPT X .550-.650"	2
9	77043-1	SWITCH ADAPTER, PG16 TO 1/2"NPT	2
10	<b>77043</b>	<b>SWITCH, ROTARY CAM ON/OFF</b>	1
		<b>REPLACEMENT PARTS:</b>	
	77043-2	SWITCH HANDLE, PADLOCKABLE, LOVATO	1
	77043-4	GASKET RING, OPERATOR, LOVATO	1
11	77042	BRACKET, ROTARY CAM SWITCH	1
12	11663	SCREW, MACHINE 8-32 X 1/2 RHCD ZINC (INSIDE SWITCH BOX)	4
13	10462	NUT, KEPS LOCK 8-32 ZINC	4
14	10846	SCREW, CAP STSHW 1/4-20 X 1/2	2
15	10038	WASHER, LOCK 1/4 ZINC	2
16	56321	PLUG W/ 10/3 CORD, LOCKING L6-30P	1
17	56322	CONNECTOR, LOCKING 30A/250V L6-30C	1
18	15204	PLUG, RECT. HOLE, PLASTIC SNAP-IN	1
19	56313	MOUNT, MOTOR, DS-18	1
20	10321	SCREW, CAP 1/2-20 X 1-1/4	2
21	10312	WASHER, FLAT 1/2 SAE ZINC	2
22	10154	NUT, HEX NYLON LOCK 1/2-20 ZINC	2
23	10802	BOLT, CARRIAGE 3/8-16 X 1 ZINC	2
24	10025	WASHER, FLAT 3/8 SAE ZINC	2
25	10811	WASHER, LOCK 3/8 ZINC	2
26	10404	NUT, HEX 3/8-16 ZINC	2
27	51067	BOLT, TAP 1/2-13 X 7, GRADE 5	2
28	10417	NUT, HEX 1/2-13 ZINC	2
29	10819	BOLT, CARRIAGE 5/16-18 X 1 FULL THD	4
30	10213	WASHER, FLAT 5/16 SAE ZINC	4
31	10801	WASHER, LOCK 5/16 ZINC	4
32	10054	NUT, HEX 5/16-18 ZINC	4
33	10071	KEY 1/4SQ X 2-1/2	1
34	56314	SHEAVE 2.8"OD X 3GR.3V X 1-1/8"BORE	1
35	10269	BELT 3VX-400	3

**ILLUSTRATION 5: THREE PHASE MOTOR GROUPING**

MODELS:  
DS18-5B/230/3  
DS18-5B/460/3  
DS18-5B/50/220/3  
DS18-5B/50/380/3  
DS18-5B/50/440/3



<b>PARTS LISTING - ILLUSTRATION 5: THREE PHASE MOTOR GROUPING</b>			
<b>ITEM #</b>	<b>PART #</b>	<b>DESCRIPTION</b>	<b>QTY.</b>
1	81022	MOTOR, BALDOR 5HP-3PH-60HZ-230/460V EM3613T	1
	16020	MOTOR, BALDOR 5HP-3PH 50HZ-230/400V EM3613T-57	1
2	16604	STARTER ACI #128844 200/240V COIL 11.3-16A O/L	1
	16458	STARTER ACI #128846 440/480V COIL 5.5-7.5A O/L	1
	16476	STARTER ACI 440/480V 7.2-10A O/L (USED FOR 50Hz-380V)	1
		REPLACEMENT PARTS:	
	16653	STARTER BOX ONLY HNF18-20	1
	16617	STARTER CONT./COIL ACI SK18.310-230	1
	16618	STARTER CONT./COIL ACI SK18.310-460	1
	16622	STARTER AC COIL 200/240V-60HZ, 190/220-50HZ	1
	16623	STARTER AC COIL 440/480V-60HZ, 380/415-50HZ	1
	16632	STARTER OVERLOAD RELAY 5.5-7.5 AMP	1
	16633	STARTER OVERLOAD RELAY 7.2-10.0 AMP	1
16635	STARTER OVERLOAD RELAY 11.3-16.0 AMP	1	
3	65087	MOUNT, STARTER, CPM-8/10 DS-18	1
4	11732	SCREW, MACHINE 10-32 X 1-3/4 RHP	2
	10384	SCREW, MACHINE 10-32 X 1 RHP	1
5	10832	NUT, KEPS LOCK 10-32 ZINC	3
6	11621	STRAIN RELIEF 90D X 1/2NPT .625-.75	1
7	16539	STRAIN RELIEF 90D X 3/4NPT .50-.625	1
8	10740	CONDUIT LOCK NUT 3/4 NP	1
9	65108	WIRE HARNESS 10/4 X 32"LOA	1
10	65105	WIRE HARNESS 10/4 X 48"LOA	1
11	65140	WIRE HARNESS 16/2 X 48"LOA	1
12	16190	STRAIN RELIEF 1/2NPT X .250-.350"	2
13	10790	CONDUIT LOCK NUT 1/2 NP	1
14	41053	STRAIN RELIEF 1/2NPT X .625-.750"	1
15	<b>16660</b>	<b>SWITCH BOX COMPLETE, ON/OFF/E-STOP</b>	1
		INCLUDES:	
	16661	ENCLOSURE, 2 HOLE ACI PBE2	1
	16662	LEGEND PLATE, EMER.STOP - BLACK	1
	16663	LEGEND PLATE, OFF/ON	1
	16664	MUSHROOM BUTTON, RED, 1NO+1NC CONT.	1
	16665	KNOB TYPE SELECTOR SWITCH, BLACK	1
16666	WIRE, BLACK JUMPER 14 AWG X 3	1	
16	65122	BRACKET, REMOTE SWITCH	1
17	11663	SCREW, MACHINE 8-32 X 1/2 RHCD ZINC (LOCATED INSIDE SWITCH BOX)	4
18	10462	NUT, KEPS LOCK 8-32 ZINC	4
19	11565	CLAMP, LOOM, 5/8" (SAE SIZE 10)	1
20	10846	SCREW, CAP STSHW 1/4-20 X 1/2	2
21	10038	WASHER, LOCK 1/4 ZINC	2
22	10982	TIE, CABLE, BLACK NYLON 11-1/4"	4
23	15204	PLUG, RECT. HOLE, PLASTIC SNAP-IN	1
CONTINUED ON THE NEXT PAGE			

**PARTS LISTING CONTINUED FROM PAGE 13**  
**ILLUSTRATION 5: THREE PHASE MOTOR GROUPING**

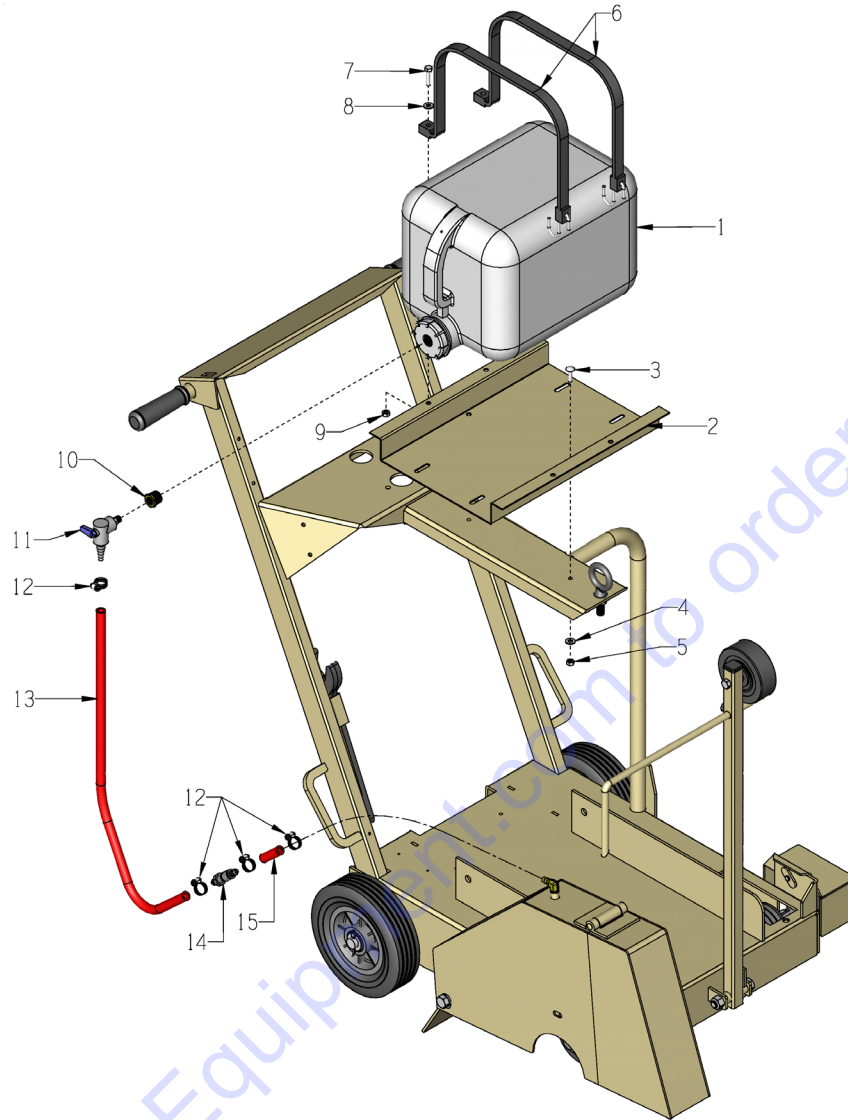
ITEM #	PART #	DESCRIPTION	QTY.
24	56313	MOUNT, MOTOR, DS-18	1
25	10321	SCREW, CAP 1/2-20 X 1-1/4	2
26	10312	WASHER, FLAT 1/2 SAE ZINC	2
27	10154	NUT, HEX NYLON LOCK 1/2-20 ZINC	2
28	10802	BOLT, CARRIAGE 3/8-16 X 1 ZINC	2
29	10025	WASHER, FLAT 3/8 SAE ZINC	2
30	10811	WASHER, LOCK 3/8 ZINC	2
31	10404	NUT, HEX 3/8-16 ZINC	2
32	51067	BOLT, TAP 1/2-13 X 7, GRADE 5	2
33	10417	NUT, HEX 1/2-13 ZINC	2
34	10820	BOLT, CARRIAGE 5/16-18 X 1-1/4 F.T.	4
35	10213	WASHER, FLAT 5/16 SAE ZINC	4
36	10801	WASHER, LOCK 5/16 ZINC	4
37	10054	NUT, HEX 5/16-18 ZINC	4
38	10071	KEY 1/4SQ X 2-1/2	1
39	56314	SHEAVE 2.8"OD X 3GR.3V X 1-1/8"BORE	1
40	10269	BELT 3VX-400	3



# ILLUSTRATION 6: OPTIONAL WATER TANK ASSEMBLY

E-DS18-PL-0219

## PART # 56310

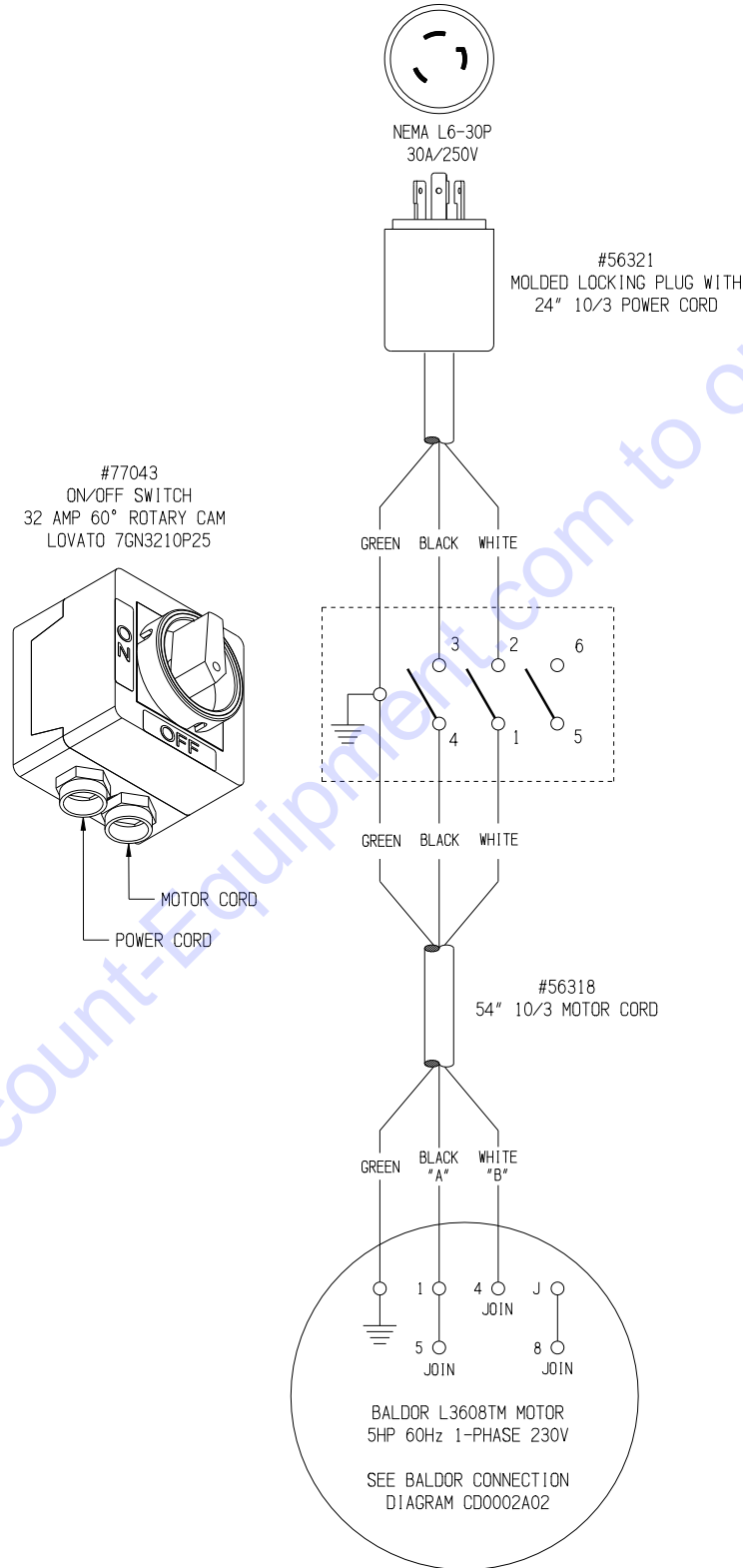


ITEM #	PART #	DESCRIPTION	QTY.
1	52031	DRUM, PLASTIC 5 GALLON, 3/4NPT CAP	1
2	56311	TRAY, WATER TANK, DS-18	1
3	10412	BOLT, CARRIAGE 1/4-20 X 1	2
4	10602	WASHER, FLAT 1/4 SAE ZINC	2
5	10861	NUT, KEPS LOCK 1/4-20 ZINC	2
6	52035	TIE-DOWN STRAP, MOLDED RUBBER 24"	2
7	10905	SCREW, CAP 1/4-20 X 1-1/4	2
8	10602	WASHER, FLAT 1/4 SAE ZINC	2
9	10150	NUT, HEX NYLON LOCK 1/4-20 ZINC	2
10	52034	BUSHING, HEX 3/4 X 1/4 NPT NYLON	1
11	56312	VALVE, BALL PVC 90°A 1/4MPT X BARB	1
12	10714	CLAMP, HOSE, SAE #4, ADJ. TO 5/8"	4
13	56315	HOSE, WATER 3/8"ID X 24"L	1
14	11637	COUPLING, QUICK-DISCONNECT 3/8" (MALE & FEMALE)	1
15	56316	HOSE, WATER 3/8"ID X 2"L	1

# SINGLE PHASE MODEL: DS18-5B/230/1

## WIRING DIAGRAM FOR ROTARY CAM SWITCH

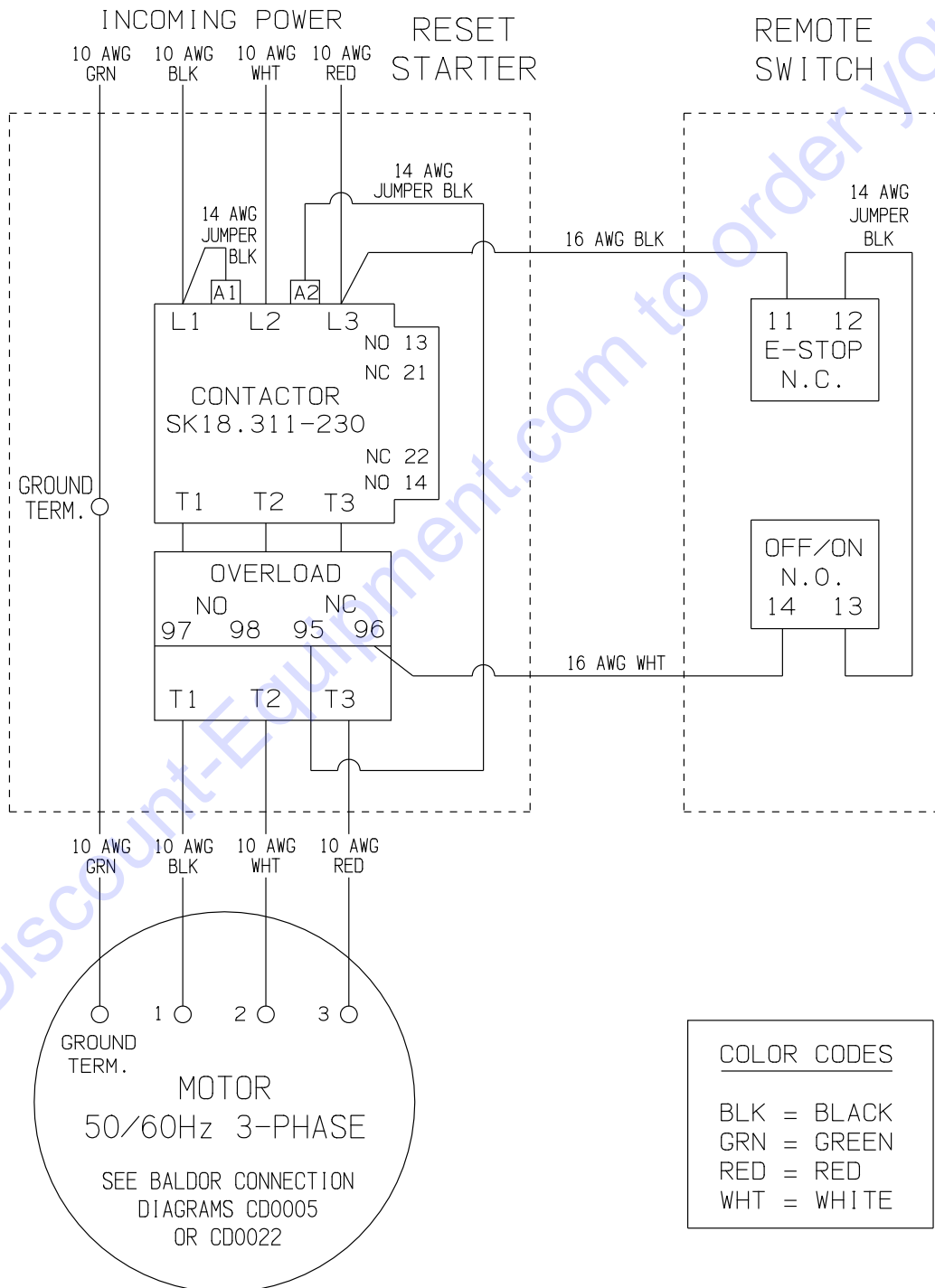
60HZ 1-PHASE 230V



THREE PHASE MODELS: DS18-5B/230/3, DS18-5B/460/3,  
DS18-5B/50/220/3, DS18-5B/50/380/3 & DS18-5B/50/440/3

**WIRING DIAGRAM FOR STARTER & REMOTE SWITCH**

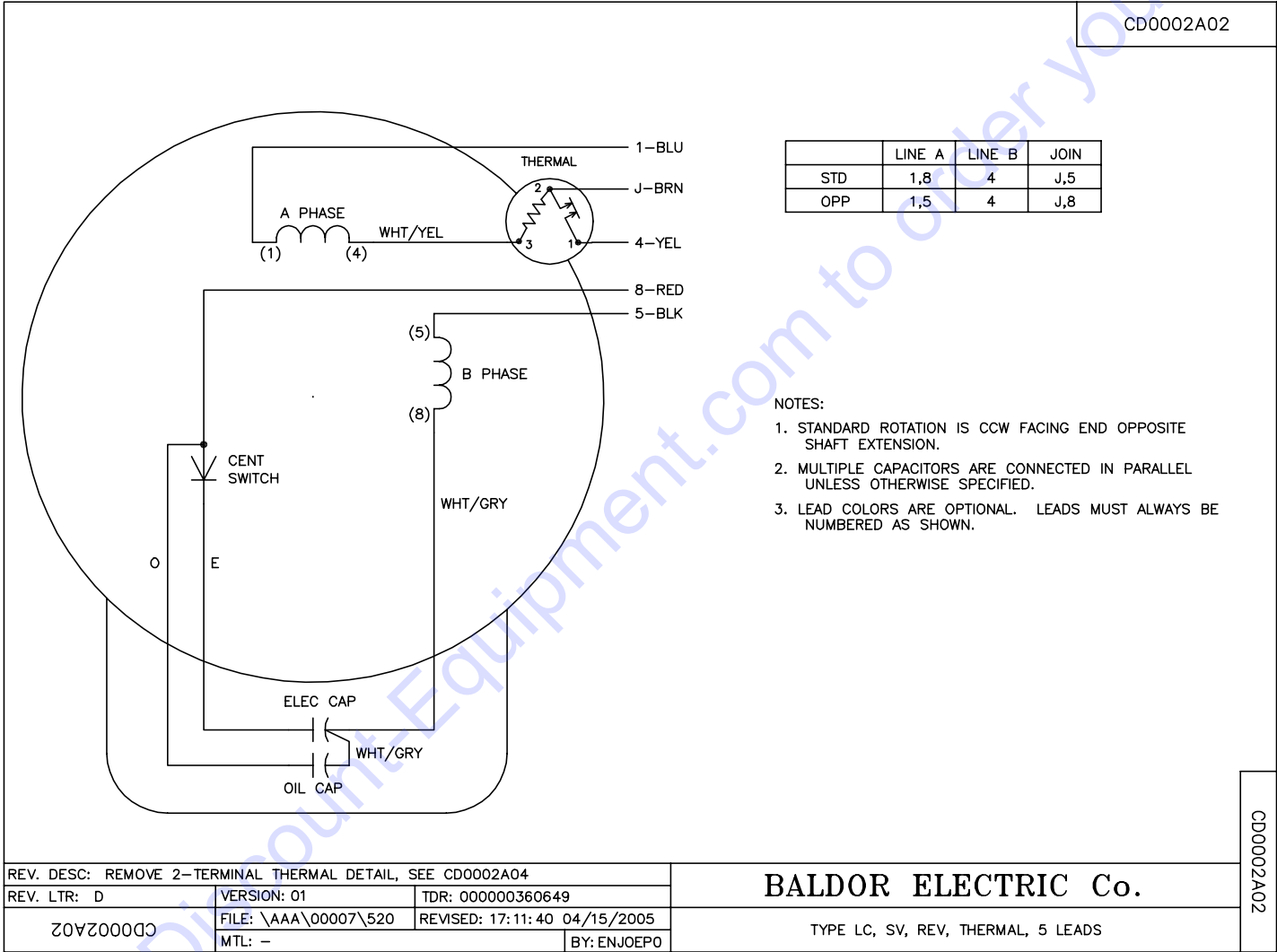
**50/60HZ 3-PHASE**



MODEL DS18-5B/230/1

**WIRING DIAGRAM FOR 1 PHASE MOTOR  
BALDOR L3608TM**

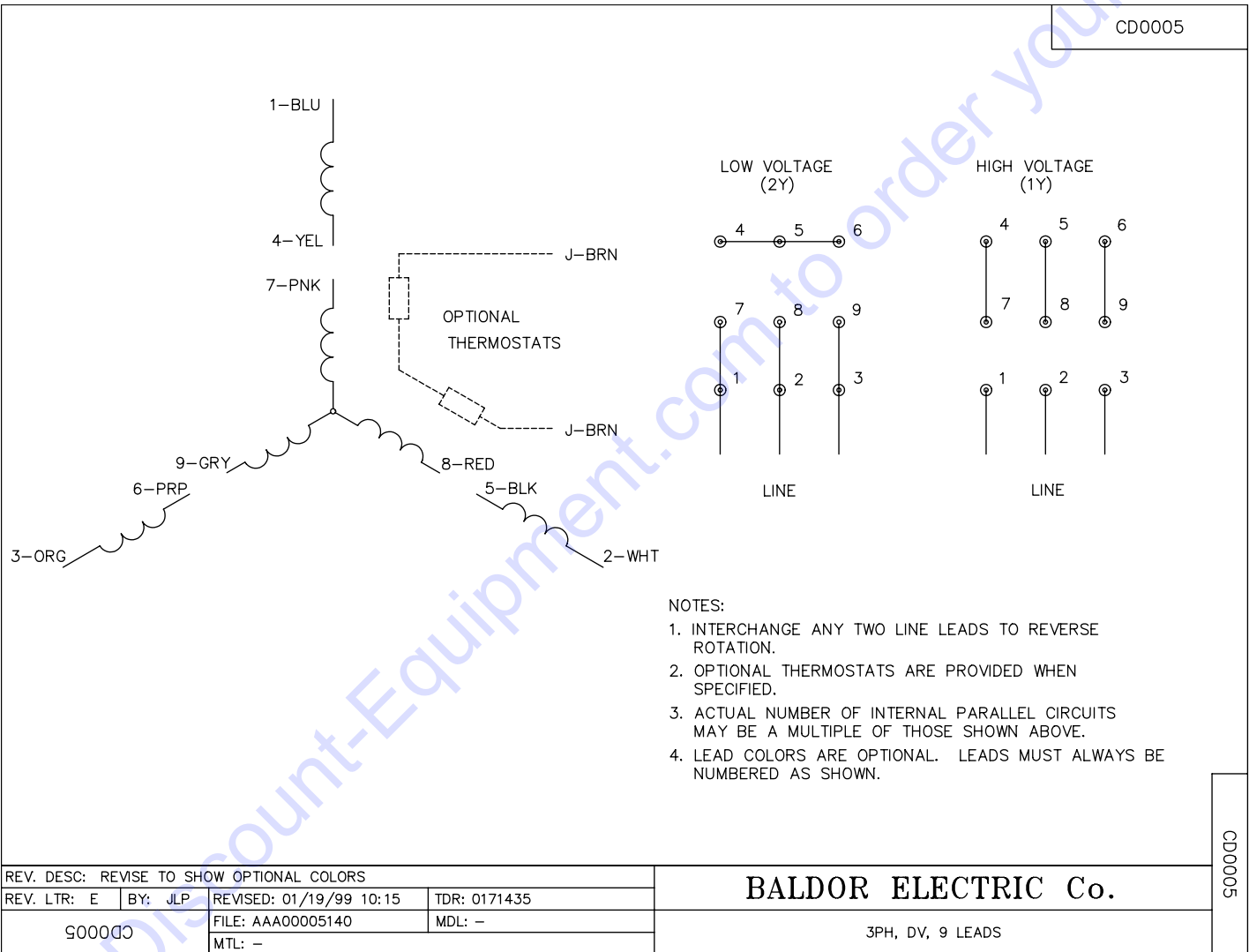
USE CONNECTIONS FOR OPPOSITE (OPP) ROTATION SHOWN BELOW IN CHART



MODELS: DS18-5B/230/3 & DS18-5B/460/3

**WIRING DIAGRAM FOR 3 PHASE 60Hz MOTOR  
BALDOR EM3613T**

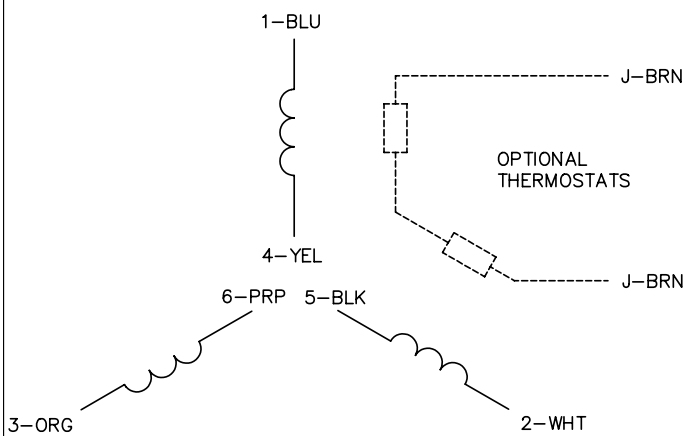
CD0005



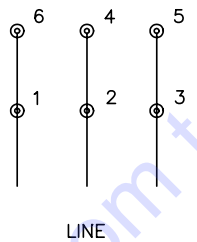
MODEL DS18-5B/50

**WIRING DIAGRAM FOR 3 PHASE 50Hz MOTOR  
BALDOR EM3613T-57**

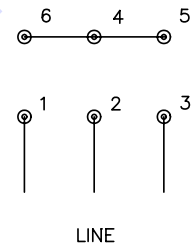
CD0022



LOW VOLTAGE  
(1D)



HIGH VOLTAGE  
(1Y)



NOTES:

1. INTERCHANGE ANY TWO LINE LEADS TO REVERSE ROTATION.
2. OPTIONAL THERMOSTATS ARE PROVIDED WHEN SPECIFIED.
3. ACTUAL NUMBER OF INTERNAL PARALLEL CIRCUITS MAY BE A MULTIPLE OF THOSE SHOWN ABOVE.
4. LEAD COLORS ARE OPTIONAL. LEADS MUST ALWAYS BE NUMBERED AS SHOWN.

REV. DESC: REVISE TO SHOW OPTIONAL COLORS			
REV. LTR: F	BY: JLP	REVISED: 01/21/99 3:54	TDR: 0171435
2Z00C		FILE: AAA00005144	MDL: -
MTL: -			

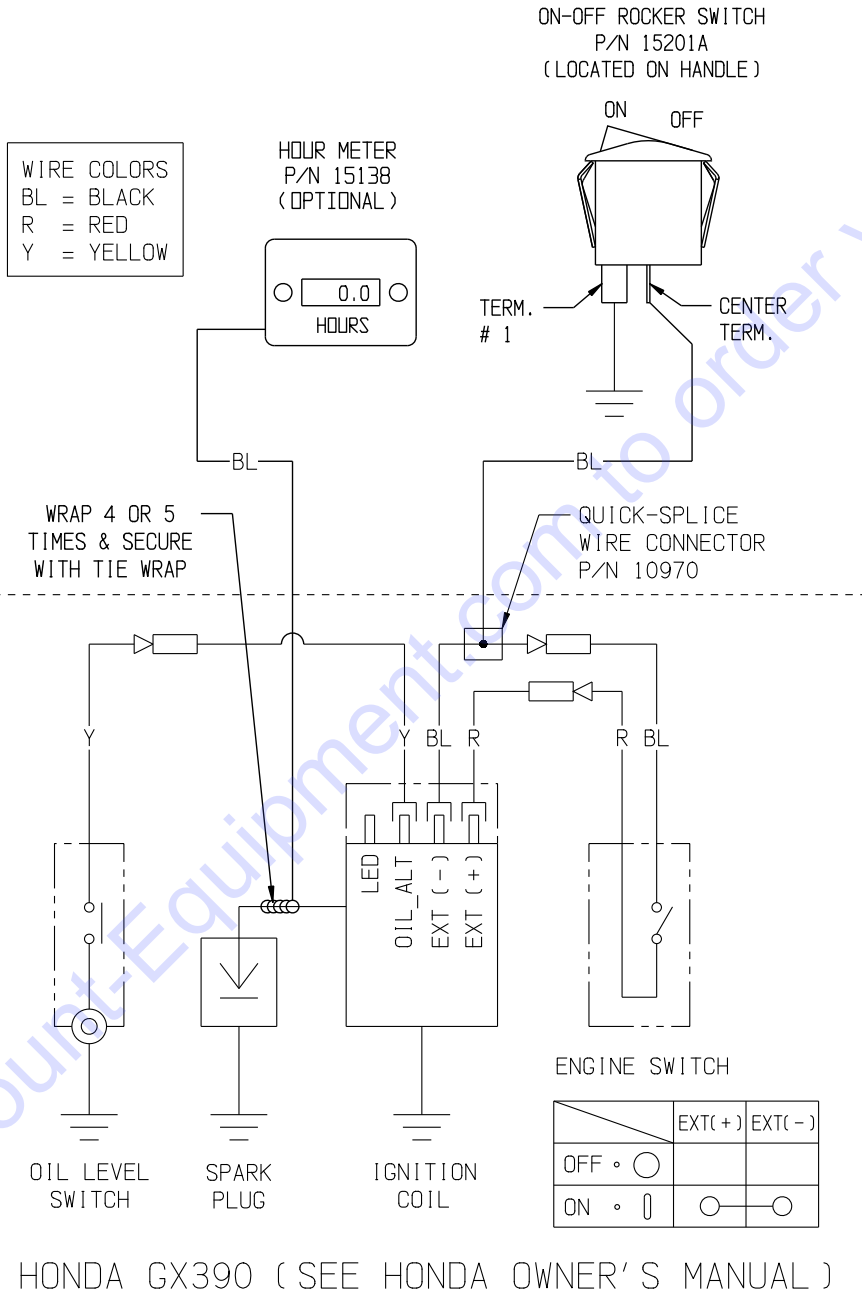
**BALDOR ELECTRIC Co.**

3PH, DV, 6 LEADS, DELTA/WYE CONNECTION

CD0022

MODEL DS18-13H

**WIRING DIAGRAM FOR HONDA ENGINE**



# PARTS FINDER

**Search Website  
by Part Number**



**Search Manual  
Library For Parts  
Manual & Lookup Part  
Numbers – Purchase  
or Request Quote**

**Search Manuals**

Enter your information to help us find the right parts manual for your machine.

\* Brand:

\* Model:

\* Serial:

\* Part Number:

SEARCH

**Can't Find Part or  
Manual? Request Help  
by Manufacturer,  
Model & Description**

**Parts Order Form**

Please fill in the following information to help us find the right part for your machine.

Manufacturer:	<input type="text"/>
Model:	<input type="text"/>
Description:	<input type="text"/>
Part Number:	<input type="text"/>
Quantity:	<input type="text"/>
Notes:	<input type="text"/>

Submit

Discount-Equipment.com is your online resource for quality parts & equipment.

Florida: **561-964-4949** Outside Florida TOLL FREE: **877-690-3101**

**Need parts?**

Click on this link: <http://www.discount-equipment.com/category/5443-parts/> and choose one of the options to help get the right parts and equipment you are looking for. Please have the machine model and serial number available in order to help us get you the correct parts. If you don't find the part on the website or on one of the online manuals, please fill out the request form and one of our experienced staff members will get back to you with a quote for the right part that your machine needs.

We sell worldwide for the brands: Genie, Terex, JLG, MultiQuip, Mikasa, Essick, Whiteman, Mayco, Toro Stone, Diamond Products, Generac Magnum, Airman, Haulotte, Barreto, Power Blanket, Nifty Lift, Atlas Copco, Chicago Pneumatic, Allmand, Miller Curber, Skyjack, Lull, Skytrak, Tsurumi, Husquvarna Target, Stow, Wacker, Sakai, Mi-T-M, Sullair, Basic, Dynapac, MBW, Weber, Bartell, Bennar Newman, Haulotte, Ditch Runner, Menegotti, Morrison, Contec, Buddy, Crown, Edco, Wyco, Bomag, Laymor, EZ Trench, Bil-Jax, F.S. Curtis, Gehl Pavers, Heli, Honda, ICS/PowerGrit, IHI, Partner, Imer, Clipper, MMD, Koshin, Rice, CH&E, General Equipment, Amida, Coleman, NAC, Gradall, Square Shooter, Kent, Stanley, Tamco, Toku, Hatz, Kohler, Robin, Wisconsin, Northrock, Oztec, Toker TK, Rol-Air, APT, Wylie, Ingersoll Rand / Doosan, Innovatech, Con X, Ammann, Mecalac, Makinex, Smith Surface Prep, Small Line, Wanco, Yanmar