

REVISED STARTING SERIAL NO. 070610006



PARTS LIST MANUAL Model CD-5



5 HEAD AIR POWERED
CHIP-DEK SCABBLER
SKU NO. 63100



PARTS FINDER

**Search Website
by Part Number**



**Search Manual
Library For Parts
Manual & Lookup Part
Numbers – Purchase
or Request Quote**

Search Manuals

Enter your information to help us find the right parts manual for your machine.

* Brand:

* Model:

* Serial:

* Part Number:

SEARCH

**Can't Find Part or
Manual? Request Help
by Manufacturer,
Model & Description**

Parts Order Form

Please fill in the following information to help us find the right part for your machine.

MANUFACTURER:

MODEL:

DESCRIPTION:

DATE:

TIME:

PHONE:

EMAIL:

ADDRESS:

CITY:

STATE:

ZIP:

NAME:

COMPANY:

PHONE:

EMAIL:

REQUEST FOR QUOTE

Discount-Equipment.com is your online resource for quality parts & equipment.

Florida: **561-964-4949** Outside Florida TOLL FREE: **877-690-3101**

Need parts?

Click on this link: <http://www.discount-equipment.com/category/5443-parts/> and choose one of the options to help get the right parts and equipment you are looking for. Please have the machine model and serial number available in order to help us get you the correct parts. If you don't find the part on the website or on one of the online manuals, please fill out the request form and one of our experienced staff members will get back to you with a quote for the right part that your machine needs.

We sell worldwide for the brands: Genie, Terex, JLG, MultiQuip, Mikasa, Essick, Whiteman, Mayco, Toro Stone, Diamond Products, Generac Magnum, Airman, Haulotte, Barreto, Power Blanket, Nifty Lift, Atlas Copco, Chicago Pneumatic, Allmand, Miller Curber, Skyjack, Lull, Skytrak, Tsurumi, Husquvarna Target, Stow, Wacker, Sakai, Mi-T-M, Sullair, Basic, Dynapac, MBW, Weber, Bartell, Bennar Newman, Haulotte, Ditch Runner, Menegotti, Morrison, Contec, Buddy, Crown, Edco, Wyco, Bomag, Laymor, EZ Trench, Bil-Jax, F.S. Curtis, Gehl Pavers, Heli, Honda, ICS/PowerGrit, IHI, Partner, Imer, Clipper, MMD, Koshin, Rice, CH&E, General Equipment, Amida, Coleman, NAC, Gradall, Square Shooter, Kent, Stanley, Tamco, Toku, Hatz, Kohler, Robin, Wisconsin, Northrock, Oztec, Toker TK, Rol-Air, APT, Wylie, Ingersoll Rand / Doosan, Innovatech, Con X, Ammann, Mecalac, Makinex, Smith Surface Prep, Small Line, Wanco, Yanmar

READ AND UNDERSTAND THE OPERATORS INSTRUCTION MANUAL THOROUGHLY BEFORE ATTEMPTING TO OPERATE THIS EQUIPMENT. Death or serious injury could occur if this machine is used improperly.



SAFETY MESSAGES



The safety instructions are preceded by a graphic alert message of DANGER, WARNING, or CAUTION.



Indicates an imminent hazard which, if not avoided, will result in death or serious injury.



Indicates an imminent hazard which, if not avoided, can result in death or serious injury.



Indicates hazards which, if not avoided, could result in serious injury and or damage to the equipment.

GASOLINE Powered Equipment



- Do not operate gasoline powered equipment without adequate ventilation. Carbon monoxide is an invisible, odorless gas that can kill.

ELECTRICAL Powered Equipment



- ELECTRICAL HAZARD** - Be sure equipment is properly grounded. Failure to comply could kill or result in serious injury.



The engine exhaust from this product contains chemicals known to the State of California to cause cancer, birth defects or other reproductive harm.

GENERAL INSTRUCTIONS



- You must read and understand the operators instruction manual and all other manuals associated with this machine. For your safety and the safety of others around you, it is extremely important to fully understand how to operate this machine in the way it was intended. Different model machines or older/newer versions of the same model may have different parts and controls that you need to understand. If instructions are not readable or available DO NOT USE this machine and contact Discount-equipment for a replacement Manual.
- You must be able to physically handle the bulk weight and power of this machine. If not properly controlled this machine can cause death or serious injury.
- Do not operate this machine in an impaired mental state. You must be able to exercise good judgement and reactions to maintain a safe working environment.
- This is a "one person" machine which means only one operator can be operating the machine at any one time. For the safety of others, maintain a safe operating distance to other personnel. Your work area should be defined and appropriately marked so bystanders and coworkers do not stand or walk near this machine and end up seriously injured by flying debris or exposing them to harmful noise or dust.
- This equipment is for Commercial use. Although this is a "one person" machine your work team should understand how to shut this machine off and quickly get medical help if an accident strikes the operator.
- Keep all guards in place during operation. The guards are to provide protection from inadvertent contact with dangerous moving parts, pinch points, or hot surfaces.
- Wear appropriate Personal Protective Equipment (PPE) including safety glasses, safety boots, work gloves, respiratory protection, hearing protection, and head protection. Do not wear loose clothing that can get tangled in moving parts. Failure to do so could result

in dismemberment or death. **Wear an approved respirator when removing hazardous materials or when grinding/cutting dry materials. Some dust particles such as concrete dust can contain silicate particles which can cause silicosis (a very serious lung disease). Contact NIOSH or OSHA for further details. When wet grinding/cutting, avoid contact with the concrete/asphalt slurry which can cause serious skin irritations.**

- You must maintain this machine per the maintenance schedule in the operator manual. Remember before adjusting, servicing, or fueling this machine, disconnect the source of power to the machine by disconnecting the spark plug (Gas models), or by unplugging the electrical power cord (electric models) or air hose (Pneumatic models) AT THE MACHINE so you can assure yourself it remains unplugged while you are working on it. Do not modify this machine. Use only genuine EDCO parts and accessories. Repairs and service should be performed by approved EDCO dealers or authorized technicians.
- You should look carefully around the area before you begin work so you can identify potential hazards such as deck inserts, pipes, columns, openings, electrical cords or outlets, or any other objects protruding from the slab surface.
- This machine has no brain so you must use your own. There is no substitute for safety. The safety decals on the machine are to serve as a reminder for information you must already know before you begin using this machine. Take a moment to reread the safety decals each time you use the machine. If your machine is missing any decals, contact Discount-equipment for a replacement.

PARTS LIST MANUAL

MODEL CD-5

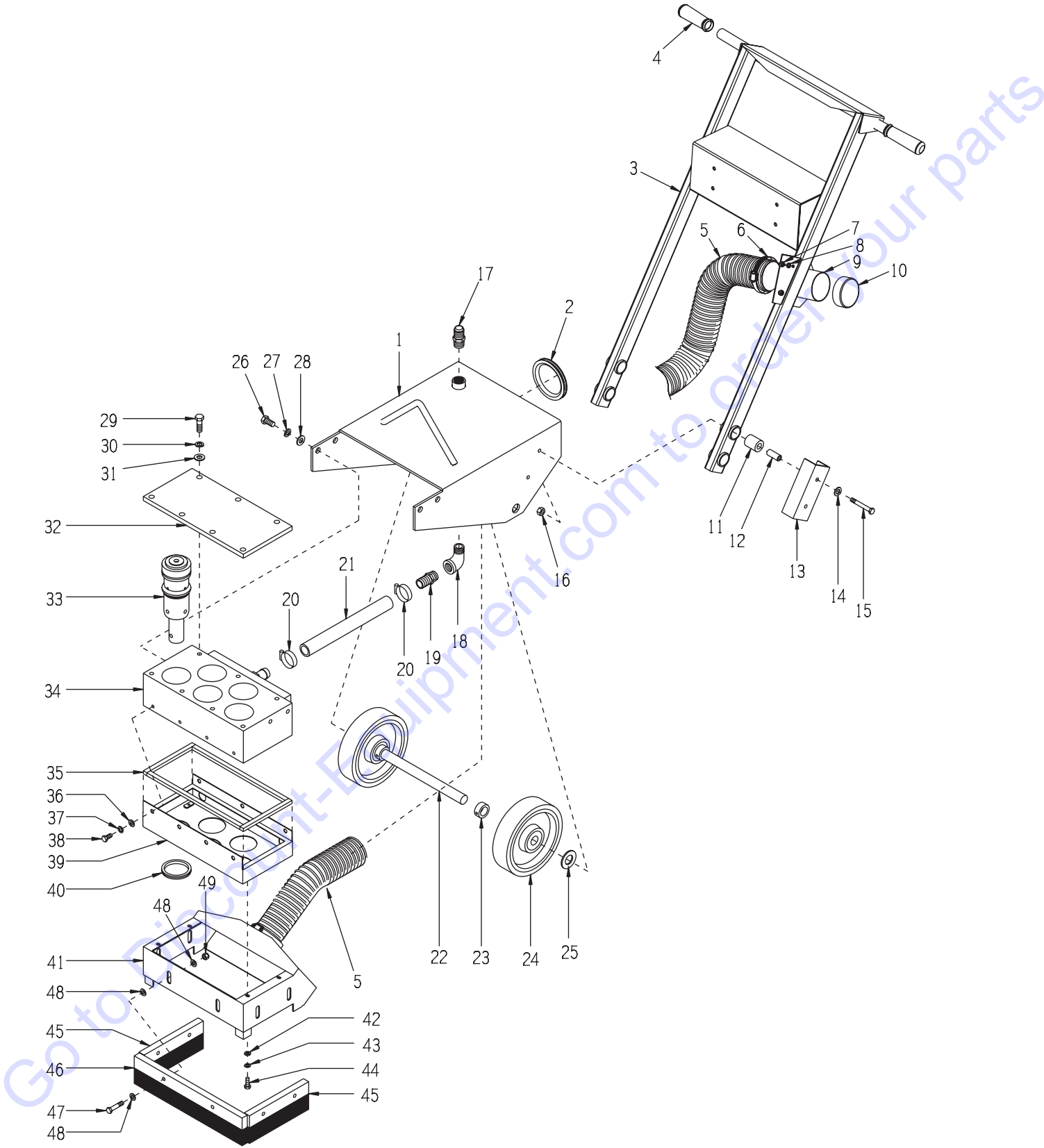
<u>Section</u>	<u>Page Number</u>
Safety Messages / General Instructions	2
How To Order Replacement Parts	3
Illustration 1: Main Grouping.	4,5
Illustration 2: Lubricator Assembly Grouping	6
Illustration 3: Piston & Cylinder Assembly	7
Limited Equipment Warranty of Sale	Back Page

Go to Discount-Equipment.com to order your parts



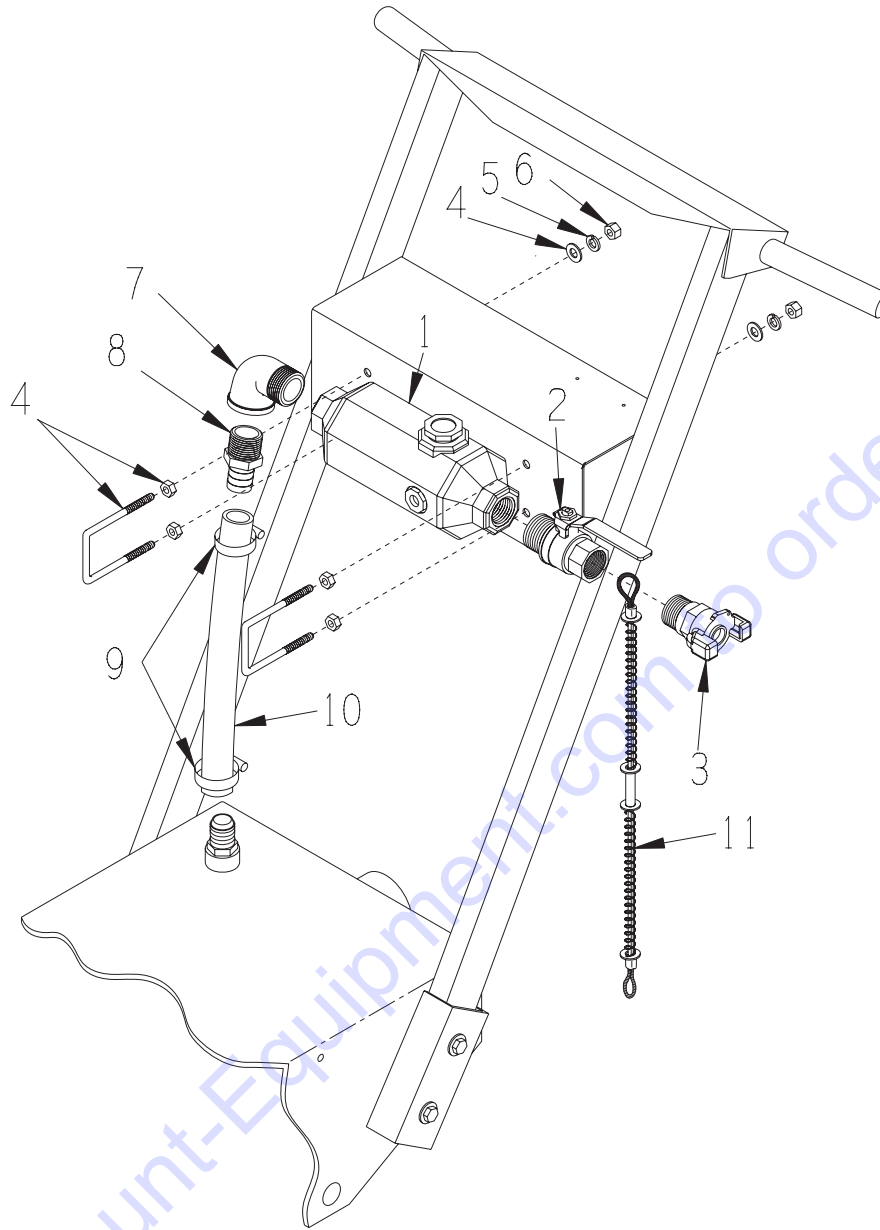
A Division of Equipment Development Company, Inc.

ILLUSTRATION 1: MAIN GROUPING



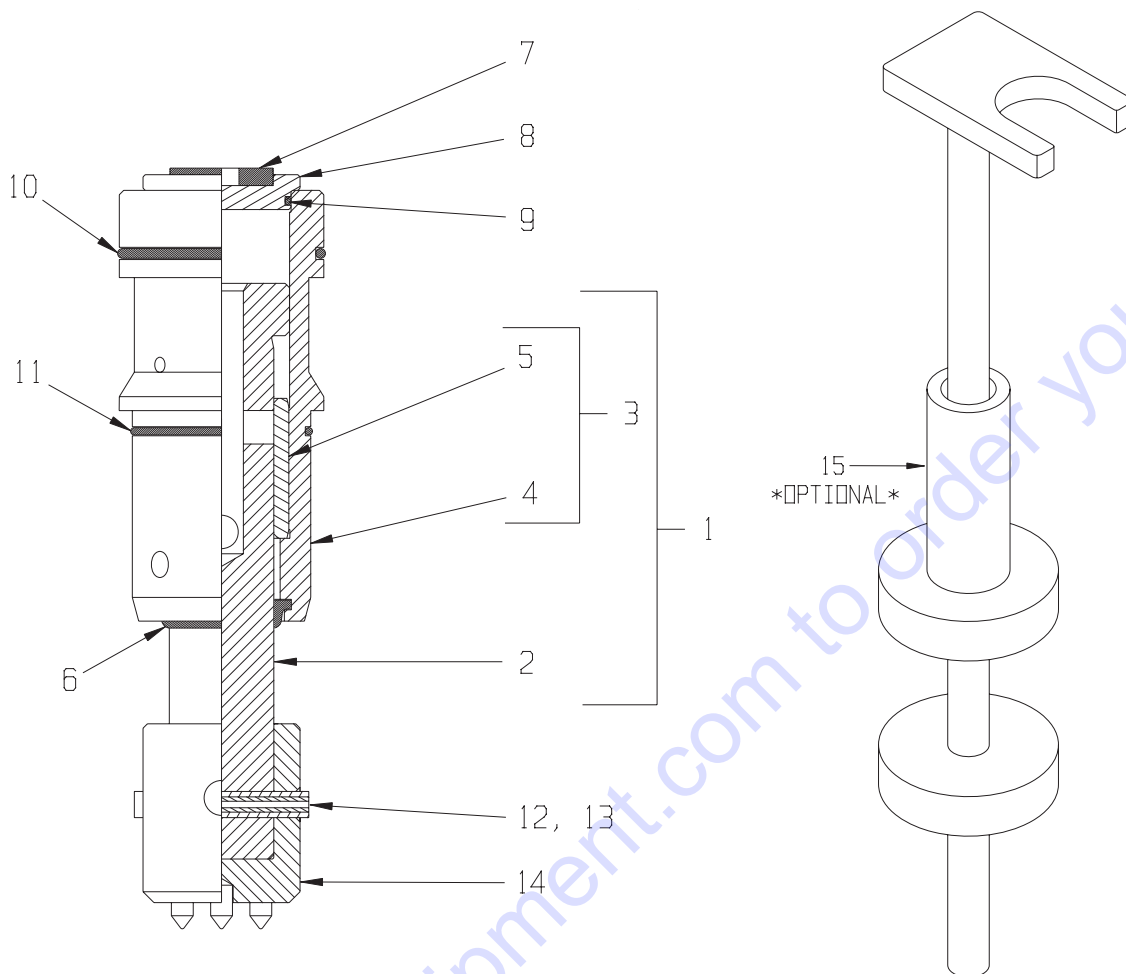
PARTS LISTING - ILLUSTRATION 1: MAIN GROUPING			
ITEM #	PART #	DESCRIPTION	QTY.
1	63101	MAIN FRAME	1
2	63131	TRIM 12", PUSH ON EDGE	1
3	63151	HANDLEBAR	1
4	10608	GRIP, HAND 1" MODEL AT	2
5	63130	HOSE, FLEX 3"ID X 36"L	1
6	10849	CLAMP, HOSE, SAE #52, ADJ. TO 3-3/4	2
7	10846	SCREW, CAP STSHW 1/4-20 X 1/2	2
8	10038	WASHER, LOCK 1/4	2
9	63112	BRACKET, VACUUM HOSE 3"	1
10	64030	CAP, END 3" BLUE PLASTIC	1
11	63106	BUSHING, RUBBER 1-1/4 X 5/8 X 1-5/8	4
12	63107	TUBE, BUSHING CENTER	4
13	63105	BRACKET, HANDLE BAR MOUNTING	2
14	10025	WASHER, FLAT 3/8 SAE	4
15	10815	SCREW, CAP 3/8-24 X 2-3/4	4
16	10004	NUT, LOCK 3/8-24	4
17	63216	BARB, 3/4HOSE X 3/4MPT (BRASS)	1
18	10727	ELBOW, STREET 3/4NPT X 90 (BLACK)	1
19	63047	BARB, 1"HOSE X 3/4MPT	1
20	10784	CLAMP, HOSE, SAE #20, ADJ. TO 1-3/4	2
21	63119	HOSE, AIR 1"ID X 11-1/4"L	1
22	63053	AXLE SHAFT 1"DIA. X 15"L	1
23	10427	COLLAR, LOCKING 1"ID	2
24	63050	WHEEL 8 X 1-15/16 X 1"BRG., POLY	2
25	10008	WASHER, FLAT 1" SAE	2
26	11672	SCREW, CAP 1/2-13 X 1-1/4	4
27	10045	WASHER, LOCK 1/2	4
28	10312	WASHER, FLAT 1/2 SAE	4
29	10356	SCREW, CAP 1/2-13 X 1-1/2	7
30	10045	WASHER, LOCK 1/2	7
31	10312	WASHER, FLAT 1/2 SAE	7
32	63023	PLATE, CYLINDER BLOCK TOP	1
33	63010	PISTON & CYLINDER ASSEMBLY (REFER TO ILLUS. 3)	5
34	63024	BLOCK WELDMENT, CYLINDER	1
35	63026	STRIPS, EXHAUST BOX SEALING (2 EA.) 1/2"W x 3/8" THICK x 7"L 1/2"W x 3/8" THICK x 13-1/2"L	1
36	10025	WASHER, FLAT 3/8 SAE	7
37	10811	WASHER, LOCK 3/8	7
38	10907	SCREW, CAP 3/8-16 X 3/4	7
39	63102	EXHAUST BOX	1
40	63110	GROMMET 2-1/2ID X 1/16GRV.X 2-3/4GD	5
41	63103	SKIRT, 3"VACUUM	1
42	10602	WASHER, FLAT 1/4 SAE	4
43	10038	WASHER, LOCK 1/4	4
44	11573	SCREW, SKT. HD. CAP 1/4-20 X 3/4	4
45	63114	BRUSH, WOODEN 2"H X 8-1/2"L	2
46	63113	BRUSH, WOODEN 2"H X 16"L	1
47	10029	SCREW, CAP 3/8-24 X 1-3/4	6
48	10025	WASHER, FLAT 3/8 SAE	18
49	10152	NUT, HEX NYLON LOCK 3/8-24	6

ILLUSTRATION 2: LUBRICATOR ASSEMBLY GROUPING



ITEM #	PART #	DESCRIPTION	QTY.
1	63150	LUBRICATOR, 1 PINT, 1"NPT	1
2	63128	VALVE, BALL 1"FPT X 1"MPT	1
3	63129	COUPLER, AIR HOSE, 1"MPT	1
4	63214	U-BOLT, SQ. BEND, 2 X 4.63 (NUTS & WASHERS INCLUDED)	2
5	10811	WASHER, LOCK 3/8	4
6	10404	NUT 3/8-16	4
7	50083	ELBOW, STREET 1"NPT X 90 (BLACK)	1
8	63127	BARB, 1"HOSE X 1"MPT (BRASS)	1
9	10784	CLAMP, HOSE, SAE #20, ADJ. TO 1-3/4	2
10	63120	HOSE, AIR 1"ID X 17-5/8"L	1
11	63040	CABLE, WHIPCHEK SAFETY 1/8 X 20-1/4	1

ILLUSTRATION 3: PISTON & CYLINDER ASSEMBLY



* QUANTITY
BASED ON
ONE HEAD

ITEM #	PART #	DESCRIPTION	QTY.
-	63010	PISTON & CYLINDER ASSEMBLY (INCLUDES ITEMS 1-11)	5
1	63010S	PISTON & CYLINDER SET (INCLUDES ITEMS 2 & 3)	1
2	63018	PISTON	1
3	63070	CYLINDER & LINER ASSEMBLY (INCLUDES ITEMS 4 & 5)	1
4	-----	CYLINDER (DO NOT REPLACE SEPARATELY)	
5	63014	LINER, CYLINDER (NOTE: PRESSED FIT IN CYLINDER)	
6	63019	WIPER RING, PISTON	1
7	63011	INSERT, TOP CAP	1
8	63012	CAP, CYLINDER TOP	1
9	63013	O-RING #133, 3/32 X 1-13/16"ID	1
10	63016	O-RING #231, 1/8 X 2-5/8"ID	1
11	63017	O-RING #141, 3/32 X 2-5/16"ID	1
12	10007	PIN, ROLL 3/8 X 2-1/2 (INCLUDED WITH BIT, ITEM 14)	1
13	63055	PIN, ROLL 7/32 X 2-1/2 (INCLUDED WITH BIT, ITEM 14)	1
14		BIT W/ PINS, TUNGSTEN CARBIDE (NOT INCLUDED w/ ASSEMBLY)	1
	18810	5-POINT (ROUGH TEXTURE)	
	18820	9-POINT (MEDIUM TEXTURE)	
15	63220	OPTIONAL BIT REMOVING TOOL (SLIDE HAMMER)	1

PARTS FINDER

**Search Website
by Part Number**



**Search Manual
Library For Parts
Manual & Lookup Part
Numbers – Purchase
or Request Quote**

**Can't Find Part or
Manual? Request Help
by Manufacturer,
Model & Description**

Discount-Equipment.com is your online resource for quality parts & equipment.

Florida: **561-964-4949** Outside Florida TOLL FREE: **877-690-3101**

Need parts?

Click on this link: <http://www.discount-equipment.com/category/5443-parts/> and choose one of the options to help get the right parts and equipment you are looking for. Please have the machine model and serial number available in order to help us get you the correct parts. If you don't find the part on the website or on one of the online manuals, please fill out the request form and one of our experienced staff members will get back to you with a quote for the right part that your machine needs.

We sell worldwide for the brands: Genie, Terex, JLG, MultiQuip, Mikasa, Essick, Whiteman, Mayco, Toro Stone, Diamond Products, Generac Magnum, Airman, Haulotte, Barreto, Power Blanket, Nifty Lift, Atlas Copco, Chicago Pneumatic, Allmand, Miller Curber, Skyjack, Lull, Skytrak, Tsurumi, Husquvarna Target, Stow, Wacker, Sakai, Mi-T-M, Sullair, Basic, Dynapac, MBW, Weber, Bartell, Bennar Newman, Haulotte, Ditch Runner, Menegotti, Morrison, Contec, Buddy, Crown, Edco, Wyco, Bomag, Laymor, EZ Trench, Bil-Jax, F.S. Curtis, Gehl Pavers, Heli, Honda, ICS/PowerGrit, IHI, Partner, Imer, Clipper, MMD, Koshin, Rice, CH&E, General Equipment, Amida, Coleman, NAC, Gradall, Square Shooter, Kent, Stanley, Tamco, Toku, Hatz, Kohler, Robin, Wisconsin, Northrock, Oztec, Toker TK, Rol-Air, APT, Wylie, Ingersoll Rand / Doosan, Innovatech, Con X, Ammann, Mecalac, Makinex, Smith Surface Prep, Small Line, Wanco, Yanmar