

REVISED STARTING SERIAL NO. 30130



## PARTS LIST MANUAL

# Model ALR



**STRAIGHT  
MODEL**

**ERGONOMIC  
MODEL**

**Chisel Scaler**



# PARTS FINDER

**Search Website  
by Part Number**



**Search Manual  
Library For Parts  
Manual & Lookup Part  
Numbers – Purchase  
or Request Quote**

**Search Manuals**

Enter your information to help us find the right parts manual for your machine.

\* Brand:

\* Model:

\* Serial:

\* Part Number:

SEARCH

**Can't Find Part or  
Manual? Request Help  
by Manufacturer,  
Model & Description**

**Parts Order Form**

Please fill in the following information to help us find the right part for your machine.

Manufacturer:	<input type="text"/>
Model:	<input type="text"/>
Description:	<input type="text"/>
Part Number:	<input type="text"/>
Quantity:	<input type="text"/>
Notes:	<input type="text"/>

Submit

Discount-Equipment.com is your online resource for quality parts & equipment.

Florida: **561-964-4949** Outside Florida TOLL FREE: **877-690-3101**

**Need parts?**

Click on this link: <http://www.discount-equipment.com/category/5443-parts/> and choose one of the options to help get the right parts and equipment you are looking for. Please have the machine model and serial number available in order to help us get you the correct parts. If you don't find the part on the website or on one of the online manuals, please fill out the request form and one of our experienced staff members will get back to you with a quote for the right part that your machine needs.

We sell worldwide for the brands: Genie, Terex, JLG, MultiQuip, Mikasa, Essick, Whiteman, Mayco, Toro Stone, Diamond Products, Generac Magnum, Airman, Haulotte, Barreto, Power Blanket, Nifty Lift, Atlas Copco, Chicago Pneumatic, Allmand, Miller Curber, Skyjack, Lull, Skytrak, Tsurumi, Husquvarna Target, Stow, Wacker, Sakai, Mi-T-M, Sullair, Basic, Dynapac, MBW, Weber, Bartell, Bennar Newman, Haulotte, Ditch Runner, Menegotti, Morrison, Contec, Buddy, Crown, Edco, Wyco, Bomag, Laymor, EZ Trench, Bil-Jax, F.S. Curtis, Gehl Pavers, Heli, Honda, ICS/PowerGrit, IHI, Partner, Imer, Clipper, MMD, Koshin, Rice, CH&E, General Equipment, Amida, Coleman, NAC, Gradall, Square Shooter, Kent, Stanley, Tamco, Toku, Hatz, Kohler, Robin, Wisconsin, Northrock, Oztec, Toker TK, Rol-Air, APT, Wylie, Ingersoll Rand / Doosan, Innovatech, Con X, Ammann, Mecalac, Makinex, Smith Surface Prep, Small Line, Wanco, Yanmar

**READ AND UNDERSTAND THE OPERATOR'S INSTRUCTION MANUAL THOROUGHLY BEFORE ATTEMPTING TO OPERATE THIS EQUIPMENT.**



**Death or serious injury could occur if this equipment is used improperly.**



**SAFETY MESSAGES**

- Safety Instructions are preceded by a graphic alert symbol of DANGER, WARNING, or CAUTION.



Indicates an imminent hazard which, if not avoided, will result in death or serious injury.



Indicates an imminent hazard which, if not avoided, can result in death or serious injury.



Indicates hazards which, if not avoided, could result in serious injury and or damage to the equipment.

**AIR POWERED EQUIPMENT**



- When operating this equipment, the operator must wear approved job related safety attire. Eye and hearing protection must be worn at all times while equipment is in use as sound levels exceed 92 dBA. Steel toe safety shoes should be worn. Head protection is required if work is performed overhead. Wear proper dust mask based on material being removed.

- Use the correct size air hose for the tool, 1/2" diameter (minimum). Hose and fittings must be rated for safe handling in excess of 100 PSI pressure. The working pressure of this tool is 80-90 PSI and should never be allowed to exceed 100 PSI.

- ALR-E Limit the hose length to 30 feet (10 meters) maximum. Note: The pressure drop of 1/2" diameter hose is approximately 1 PSI per 90 linear feet.

- ALR-BS Limit the hose length to 30 feet (10 meters) maximum. Note: The pressure drop of 3/8" diameter hose is approximately 3 PSI per 90 linear feet.

- A filter/water separator must be provided on the air source to afford an adequate supply of clean, dry air to this tool. A lubricator should also be used. If a lubricator is unavailable, lubricate the tool daily by putting 6 to 7 drops of lightweight machine oil in the hose connector opening prior to connecting the air supply. In cold weather, use graphite oil for lubrication.



- Disconnect the air supply before removing or installing a chisel or accessory. Squeeze the hand lever to release all compressed air from the tool. Use only genuine EDCO chisels and accessories with this equipment. Failure to do so may result in serious bodily injury or death.

- Replace any damaged parts immediately. Use only genuine EDCO parts.

**AIR POWERED EQUIPMENT CONTINUED**

- To install or remove chisel: Disconnect the air supply. Squeeze the hand lever to release all compressed air. Pull back in the spring loaded locking collar and hold while removing the chisel. Hold back on the spring loaded locking collar while firmly seating the new chisel in the holder. Release collar to retain the chisel.

- The appropriate accessory must be used for the job at hand. Do **NOT** force the tool into the work. The hammering action of the tool will perform the work for you. **NEVER USE THE TOOL AS A PRY BAR.** Damage to the equipment will result. If the tool does not seem to perform the work to your specifications, try another accessory or contact Discount-equipment

- To activate tool, attach the air source, firmly grip the tool and then squeeze the hand lever on the air valve.



- After releasing the air valve hand lever, the tool will continue to operate for up to 15 seconds. This is a normal result of stored up pressure in the tool casing being released gradually. **Be sure to firmly grip the tool until ALL air leaves the chamber.**



- Remove the air source from the tool when not in use.
- This equipment will create dust from the material being removed. That dust may contain a chemical known to the state of California to cause cancer and/or birth defects or other reproductive harm. Check the chemical properties of the materials to be removed.



- It is the operator's responsibility to keep other people (workers, pedestrians, bystanders, etc.) away during operation. Block off the work area in all directions with roping, safety netting, etc. for a safe distance. Failure to do so may result in others being injured by flying debris or exposing them to harmful dust and noise.

**DUST WARNING**

Some dust created by power sanding, sawing, grinding, drilling, and other construction activities contains chemicals known to cause cancer, birth defects, or other reproductive harm. Some examples of these chemicals are:

- Lead from lead-based paints, and
- Crystalline silica from bricks and concrete

and other

masonry products.

Your risk of exposure to these chemicals varies depending on how often you do this type of work. To reduce your risk: work in a well ventilated area, use a dust control system, such as an industrial-style vacuum, and wear approved personal safety equipment, such as a dust/particle respirator designed to filter out microscopic particles.

# PARTS LIST MANUAL

## EDCO MODEL ALR

Section	Page Number
Safety Messages and General Instructions. ....	2
How To Order Replacement Parts. ....	3
Illustration # 1: Chisel Scaler Assembly. ....	4
Parts Listing - Illustration #1: Chisel Scaler assembly. ....	5
Illustration # 2: Valve Body Assembly	
Piston & Cylinder Assembly	
Cylinder Housing Assembly	
Chisel Holder Assembly. ....	6
ALR Accessory Listing . ....	7
Limited Equipment Warranty . ....	back cover

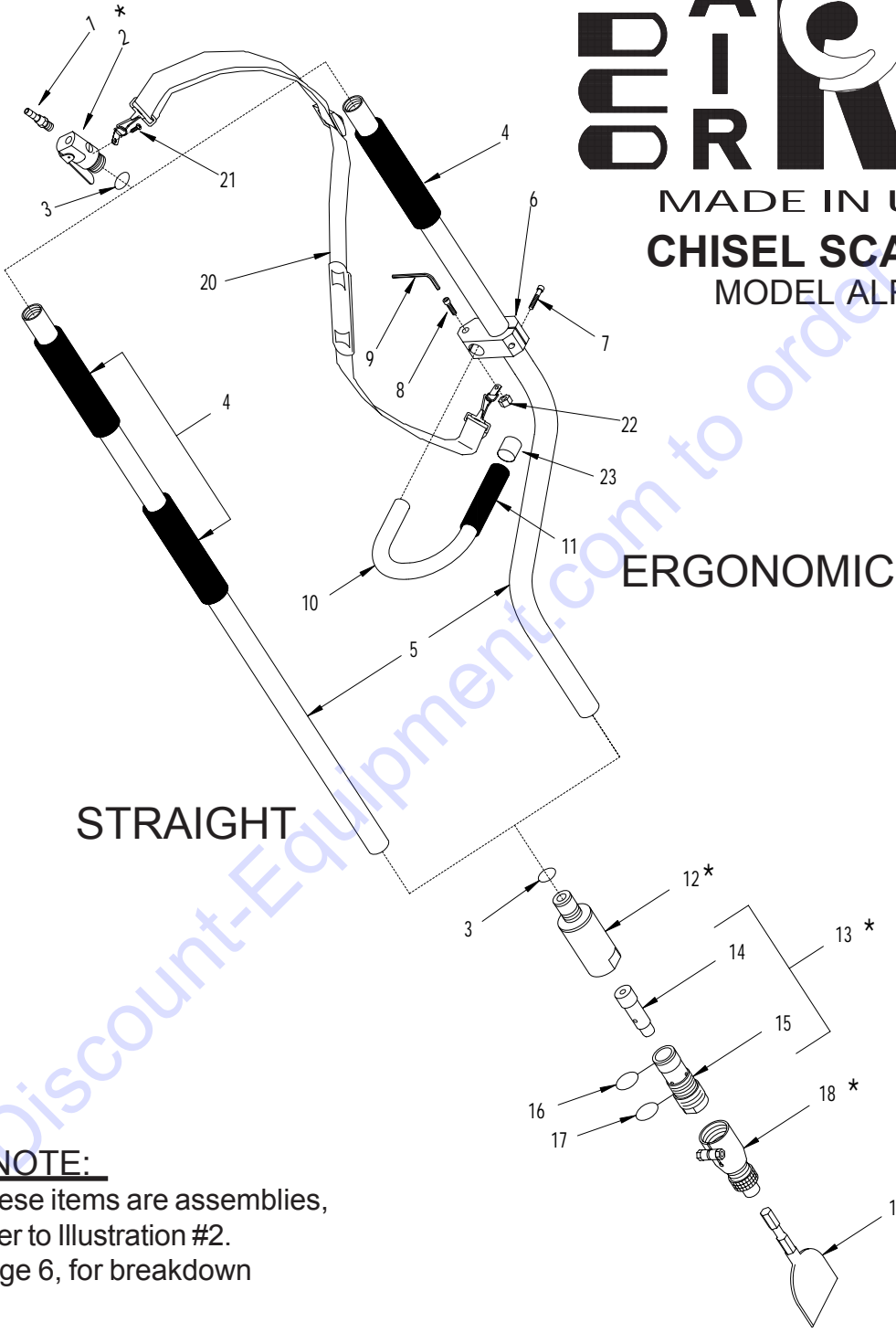
### CHISEL SCALERS

PART #	MODEL	DESCRIPTION
C10342	ALR-E	5 FT. ERGONOMIC HEAVY-DUTY STEEL
C10301	ALR-5	5 FT. STRAIGHT HEAVY-DUTY STEEL
C10308	ALR-4	4 FT. STRAIGHT HEAVY-DUTY STEEL
C10309	ALR-2	2 FT. STRAIGHT HEAVY-DUTY STEEL
C10301A	ALR-5A	5 FT. STRAIGHT LIGHT-WEIGHT ALUMINUM
C10308A	ALR-4A	4 FT. STRAIGHT LIGHT-WEIGHT ALUMINUM
C10309A	ALR-2A	2 FT. STRAIGHT LIGHT-WEIGHT ALUMINUM

**ILLUSTRATION #1: CHISEL SCALER ASSEMBLY**

**EDCO**  
**RAM**

MADE IN USA  
**CHISEL SCALER**  
 MODEL ALR



**\* NOTE:**  
 These items are assemblies,  
 refer to Illustration #2.  
 Page 6, for breakdown



## PARTS LISTING - ILLUSTRATION #1: CHISEL SCALER ASSEMBLY

ITEM #	PART #	DESCRIPTION	QTY.
1	C10523	BARB, SWIVEL 3/8 HOSE x 1/4 MPT	1
2	C10570	VALVE BODY ASSEMBLY (REFER TO ILLUS. #2 for BREAKDOWN)	1
*3	C10536	O-RING 2 x 26mm	2
4		GRIP, FOAM	
	C10531	1-1/4" ID x 8" L (MODELS ALR-4 & 5, ALR-E)	1 or 2
	C10539	1-1/4" ID x 12" L ( MODEL ALR-2 ONLY)	1
5		CASING (SPECIFY STYLE AND SIZE)	1
	C10587	ERGONOMIC STEEL MODEL ALR-E5	
	C10532	STRAIGHT STEEL 44-1/2" MODEL ALR-5	
	C10532A	STRAIGHT ALUM. 44-1/2" MODEL ALR-5A	
	C10533	STRAIGHT STEEL 32-1/2" MODEL ALR-4	
	C10533A	STRAIGHT ALUM. 32-1/2" MODEL ALR-4A	
	C10534	STRAIGHT STEEL 12" MODEL ALR-2	
	C10534A	STRAIGHT ALUM. 12" MODEL ALR-2A	
6	C10586	CLAMP, ERGONOMIC HANDLE	1
7	10856	SCREW, SKT. HD. CAP 1/4-20 x 1-1/2	1
8	10869	SCREW, SKT. HD. CAP 1/4-20 x 1 (w/o SHOULDER STRAP)	1
	10856	SCREW, SKT. HD. CAP 1/4-20 x 1-1/2 (w/ SHOULDER STRAP)	1
9	66045	WRENCH, HEX KEY 3/16"	1
10	C10588	HANDLE, U-SHAPED	1
11	61067	GRIP, FOAM 7/8" ID x 5"L	1
12		CYLINDER HOUSING ASSEMBLY (REFER TO ILLUS. #2 for BREAKDOWN)	1
	C10535	STEEL HOUSING	
	C10535A	ALUM. HOUSING	
13	C10590	PISTON & CYLINDER ASSEMBLY (INCLUDES ITEMS 14 - 17)	1
14	C10583	PISTON	1
15	C10584	CYLINDER	1
*16	C10511	O-RING 2 x 34mm	1
*17	C10512	O-RING 2 x 37mm	1
18	C10514	CHISEL HOLDER ASSY., 5/8" HEX SHANK (REFER TO ILLUS. # 2 for BREAKDOWN)	1
19	C10302	LR-4 CHISEL, 4" STEEL - REFER TO PG. 7 for ADDITIONAL ACCESSORIES	1
20	24040	STRAP, SHOULDER (INCL. SHOULDER PAD, 2 D-RINGS, 2 BRACKETS) <b>SHOULDER STRAP IS OPTIONAL</b>	1
21	11578	SCREW, SKT. BUTTON HEAD 1/4-20 x 1/2	1
22	10015	NUT, LOCK 1/4-20	1
23	C10598	PLUG, CAP 1"	1

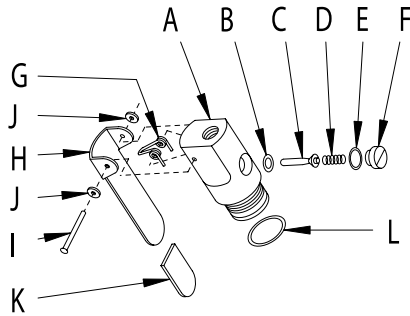
**\*Note: To order KIT OF ALL O-RINGS (8 total) use part # C10550. This kit includes items #3, 16, & 17 from Illustration #1 and items 2-B, 2-E, 12-D, 12-E, & 12-F from Illustration # 2.**





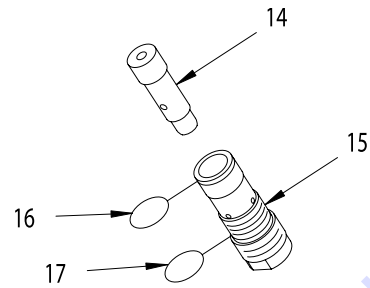
ILLUSTRATION # 2: ASSEMBLIES

ITEM #2 C10570 VALVE BODY ASSEMBLY



ITEM	PART#	DESCRIPTION	QTY.
2-A	C10571	VALVE BODY	1
2-B	C10540	O-RING #109, 3/32 x 5/16" ID	1
2-C	C10572	VALVE STEM	1
2-D	C10542	SPRING, VALVE STEM	1
2-E	C10543	O-RING #013, 1/16 x 7/16" ID	1
2-F	C10544	VALVE STEM RETAINER	1
2-G	C10585	SPRING, DOUBLE TORSION	1
2-H	C10573	LEVER, AIR VALVE 4"	1
2-I	11556	RIVET, OVAL HEAD 1/8 x 1-1/2	1
2-J	11557	WASHER, RIVET 1/8"ID x 3/8" OD	2
2-k	C10569	GRIP, FLAT RED .125 x .75 x 1.5" L	1
2-L	C10536	O-RING 2 x 26mm	1

ITEM #13 C10590 PISTON & CYLINDER ASSEMBLY

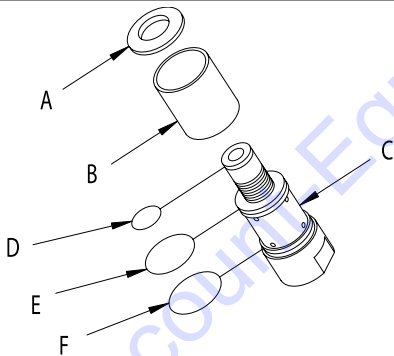


ITEM	PART#	DESCRIPTION	QTY.
14	C10583	PISTON	1
15	C10584	CYLINDER	1
16	C10511	O-RING 2 x 34mm	1
17	C10512	O-RING 2x 37mm	1

NOTE:

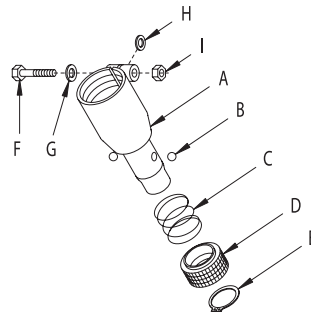
These parts should be replaced together as an assembly.

ITEM #12 C10535 OR C10535A CYLINDER HOUSING ASSEMBLY



ITEM	PART#	DESCRIPTION	QTY.
12-A	C10545	CYLINDER HOUSING CAP	1
12-B	C10546	CYLINDER HOUSING SLEEVE	1
12-C		CYLINDER HOUSING MAIN BODY	1
	C10547	STEEL MAIN BODY	
	C10547A	ALUM. MAIN BODY	
12-D	C10536	O-RING 2 x 26mm	1
12-E	C10548	O-RING 2 x 46mm	1
12-F	C10549	O-RING 2 x 48mm	1

ITEM #18 C10514 CHISEL HOLDER ASSEMBLY



ITEM	PART#	DESCRIPTION	QTY.
18-A	C10578	CHUCK BODY	1
18-B	C10579	BALL, 5/16" CHROME	2
18-C	C10580	SPRING, COMP. 1.437"OD x 1.25"FL	1
18-D	C10581	COLLAR, KNURLED BALL LOCKING	1
18-E	C10582	RETAINING RING, EXT. 1-1/8"	1
18-F	10342	SCREW, CAP 5/16-18 x 1-1/2	1
18-G	10801	WASHER, LOCK 5/16	1
18-H		WASHER, FLAT S.S.	1
	11558	.328"ID x .562"OD x .025"THK.	
	11559	.328"ID x .562"OD x .058"THK	
18-I	10807	NUT, LOCK 5/16-18	1

## ALR ACCESSORIES



### ALR ACCESSORY LISTING

TYPE	PART#	SPEC#	DESCRIPTION
DISPLAY STAND	27075		DISPLAYS ALL CHISEL SCALER MODELS AND ACCESSORIES
CHISELS	C10302	LR-4	4" STRAIGHT STEEL CHISEL
	C10303	LR-2	2" STRAIGHT STEEL CHISEL
	C10324	LR-1	1-1/4" STRAIGHT STEEL CHISEL
	C10315	LR-2-45	2" @ 45° ANGLED STEEL CHISEL
SCRAPER BLADES AND ADAPTERS	C10306	LR-4M	BLADE ADAPTER, STRAIGHT 4"
	C10329	LR-4S	4" SCRAPER BLADES (5 PACK)
	C10304	LR-8	8" SCRAPER BLADES (5 PACK)
	C10305	LR-12	12" SCRAPER BLADES (5 PACK)
	C10316	LR-2-45M	BLADE ADAPTER, 45° ANGLED 2"
	C10321	LR-2A	2" SCRAPER BLADES for ANGLED ADAPTER (5 PACK)
	C10322	LR-4A	4" SCRAPER BLADES for ANGLED ADAPTER (5 PACK)
JOINT CLEANERS	C10320	LR-JS	7/16" CURVED JOINT CLEANER
	C10353	LR-JM	5/8" CURVED JOINT CLEANER
	C10354	LR-JW	7/8" CURVED JOINT CLEANER
CHIPPING POINT	C10327	LR-MPT	CHIPPING POINT
SCABBLER HEADS	C10310	LRS-H	SCABBLER HEAD ADAPTER
	C10312	LRS-5	5-POINT SCABBLER
	C10311	LRS-9	9-POINT SCABBLER
BUSHING HEAD	C10336	LR-TB	BUSHING HEAD TOOL 1-3/4" SQUARE
TAMPER	C10348	LR-CH	ASPHALT TAMPER/COMPACTION HEAD 3-1/2" x 6-3/4"
SHINGLE REMOVER	C10339	LR-SCR	SHINGLE REMOVER BLADE ADAPTER
	C10323	LR-SR	8" SHINGLE REMOVER BLADES (5 PACK)



# PARTS FINDER

**Search Website  
by Part Number**



**Search Manual  
Library For Parts  
Manual & Lookup Part  
Numbers – Purchase  
or Request Quote**

**Search Manuals**

Enter your information to help us find the right parts manual for your machine.

\* Brand:

\* Model:

\* Serial:

\* Part Number:

SEARCH

**Can't Find Part or  
Manual? Request Help  
by Manufacturer,  
Model & Description**

**Parts Order Form**

Please fill in the following information to help us find the right part for your machine.

Manufacturer:	<input type="text"/>
Model:	<input type="text"/>
Description:	<input type="text"/>
Part Number:	<input type="text"/>
Quantity:	<input type="text"/>
Notes:	<input type="text"/>

Submit

Discount-Equipment.com is your online resource for quality parts & equipment.

Florida: **561-964-4949** Outside Florida TOLL FREE: **877-690-3101**

**Need parts?**

Click on this link: <http://www.discount-equipment.com/category/5443-parts/> and choose one of the options to help get the right parts and equipment you are looking for. Please have the machine model and serial number available in order to help us get you the correct parts. If you don't find the part on the website or on one of the online manuals, please fill out the request form and one of our experienced staff members will get back to you with a quote for the right part that your machine needs.

We sell worldwide for the brands: Genie, Terex, JLG, MultiQuip, Mikasa, Essick, Whiteman, Mayco, Toro Stone, Diamond Products, Generac Magnum, Airman, Haulotte, Barreto, Power Blanket, Nifty Lift, Atlas Copco, Chicago Pneumatic, Allmand, Miller Curber, Skyjack, Lull, Skytrak, Tsurumi, Husquvarna Target, Stow, Wacker, Sakai, Mi-T-M, Sullair, Basic, Dynapac, MBW, Weber, Bartell, Bennar Newman, Haulotte, Ditch Runner, Menegotti, Morrison, Contec, Buddy, Crown, Edco, Wyco, Bomag, Laymor, EZ Trench, Bil-Jax, F.S. Curtis, Gehl Pavers, Heli, Honda, ICS/PowerGrit, IHI, Partner, Imer, Clipper, MMD, Koshin, Rice, CH&E, General Equipment, Amida, Coleman, NAC, Gradall, Square Shooter, Kent, Stanley, Tamco, Toku, Hatz, Kohler, Robin, Wisconsin, Northrock, Oztec, Toker TK, Rol-Air, APT, Wylie, Ingersoll Rand / Doosan, Innovatech, Con X, Ammann, Mecalac, Makinex, Smith Surface Prep, Small Line, Wanco, Yanmar