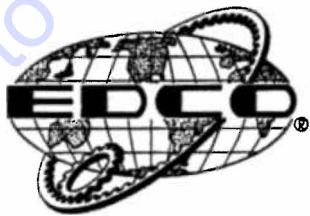
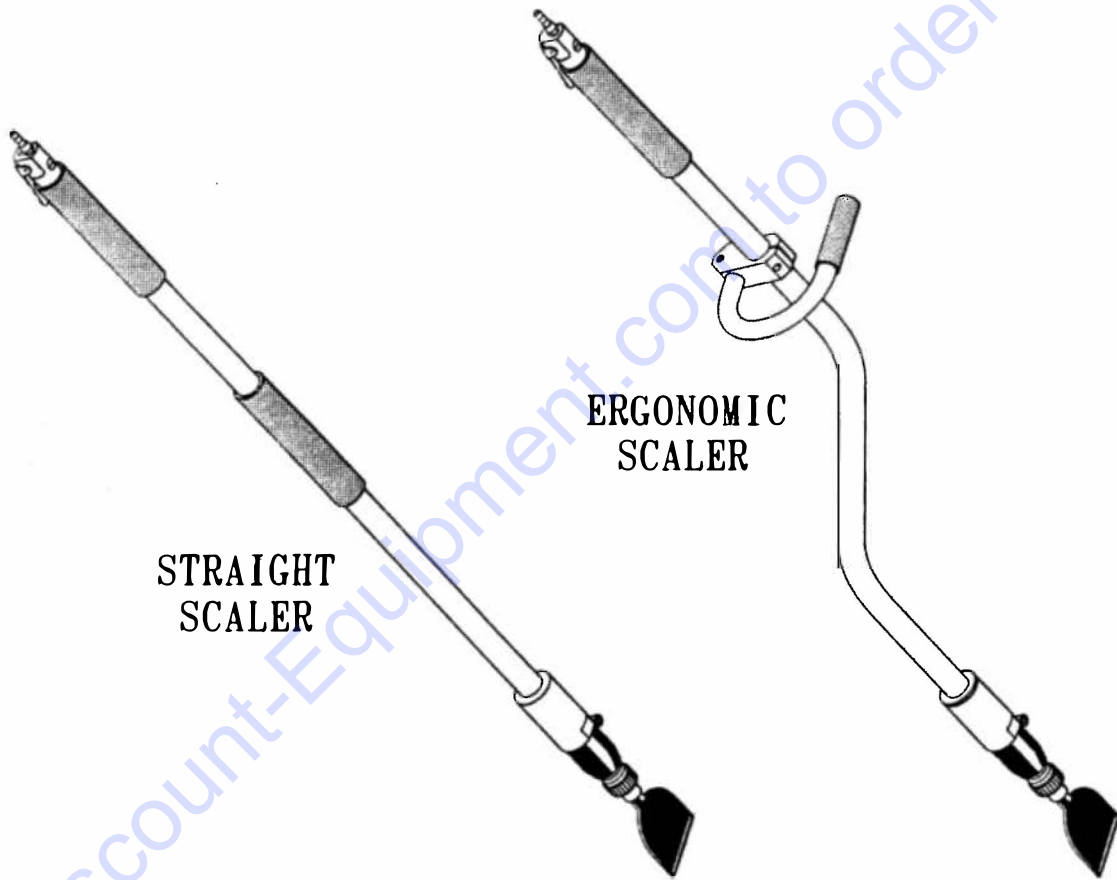


REVISED MARCH 1996
STARTING SERIAL #20080



MODEL ALR CHISEL SCALER

INSTRUCTIONS AND PARTS LIST MANUAL



PARTS FINDER

**Search Website
by Part Number**



**Search Manual
Library For Parts
Manual & Lookup Part
Numbers – Purchase
or Request Quote**

Search Manuals

Enter your information to help us find the right parts manual for your machine.

* Brand:

* Model:

* Serial:

* Part Number:

SEARCH

**Can't Find Part or
Manual? Request Help
by Manufacturer,
Model & Description**

Parts Order Form

Please fill in the following information to help us find the right part for your machine.

Manufacturer:	<input type="text"/>
Model:	<input type="text"/>
Description:	<input type="text"/>
Part Number:	<input type="text"/>
Quantity:	<input type="text"/>
Notes:	<input type="text"/>

Submit

Discount-Equipment.com is your online resource for quality parts & equipment.

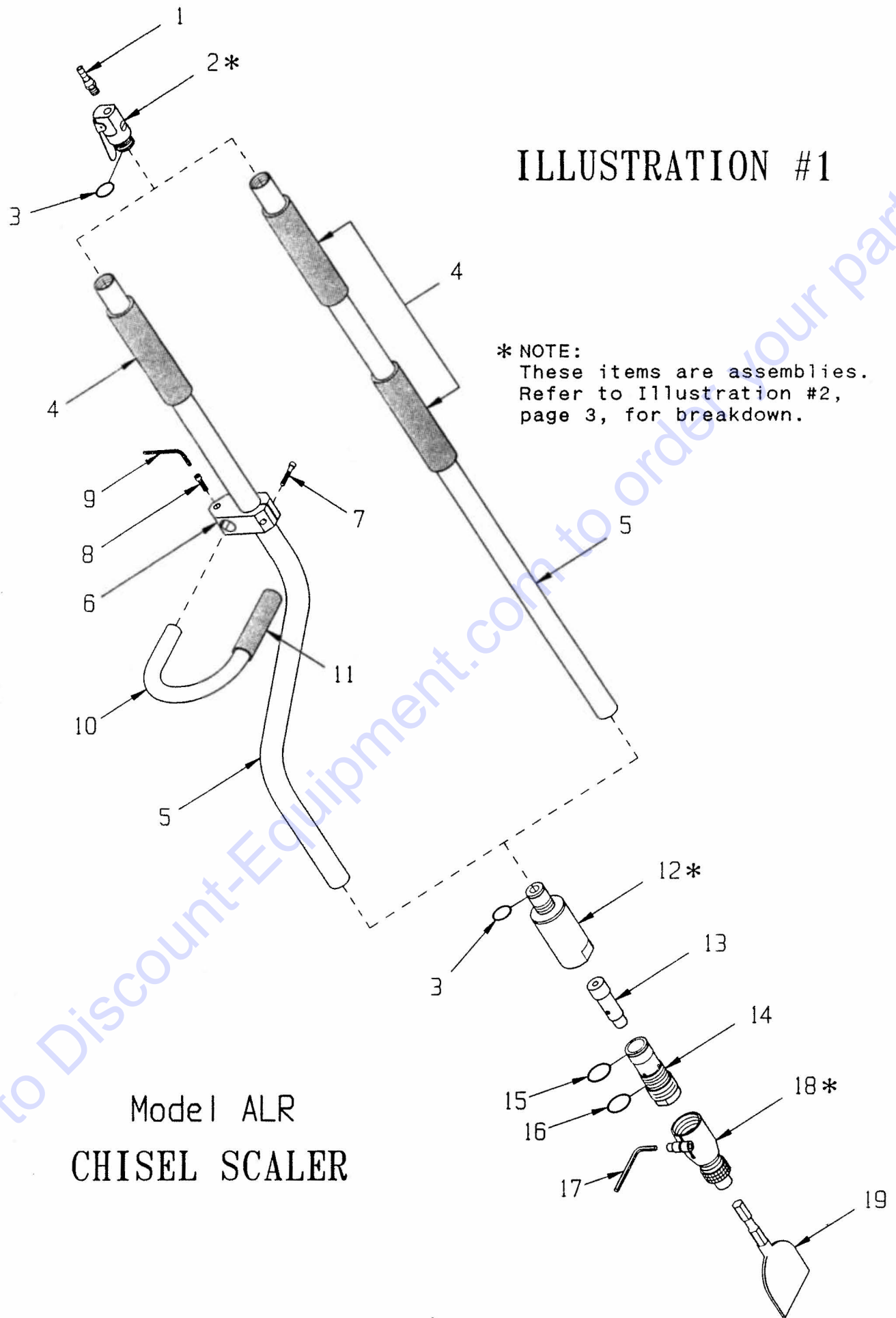
Florida: **561-964-4949** Outside Florida TOLL FREE: **877-690-3101**

Need parts?

Click on this link: <http://www.discount-equipment.com/category/5443-parts/> and choose one of the options to help get the right parts and equipment you are looking for. Please have the machine model and serial number available in order to help us get you the correct parts. If you don't find the part on the website or on one of the online manuals, please fill out the request form and one of our experienced staff members will get back to you with a quote for the right part that your machine needs.

We sell worldwide for the brands: Genie, Terex, JLG, MultiQuip, Mikasa, Essick, Whiteman, Mayco, Toro Stone, Diamond Products, Generac Magnum, Airman, Haulotte, Barreto, Power Blanket, Nifty Lift, Atlas Copco, Chicago Pneumatic, Allmand, Miller Curber, Skyjack, Lull, Skytrak, Tsurumi, Husquvarna Target, Stow, Wacker, Sakai, Mi-T-M, Sullair, Basic, Dynapac, MBW, Weber, Bartell, Bennar Newman, Haulotte, Ditch Runner, Menegotti, Morrison, Contec, Buddy, Crown, Edco, Wyco, Bomag, Laymor, EZ Trench, Bil-Jax, F.S. Curtis, Gehl Pavers, Heli, Honda, ICS/PowerGrit, IHI, Partner, Imer, Clipper, MMD, Koshin, Rice, CH&E, General Equipment, Amida, Coleman, NAC, Gradall, Square Shooter, Kent, Stanley, Tamco, Toku, Hatz, Kohler, Robin, Wisconsin, Northrock, Oztec, Toker TK, Rol-Air, APT, Wylie, Ingersoll Rand / Doosan, Innovatech, Con X, Ammann, Mecalac, Makinex, Smith Surface Prep, Small Line, Wanco, Yanmar

ILLUSTRATION #1



Model ALR
CHISEL SCALER

PARTS LISTING - ILLUSTRATION #1

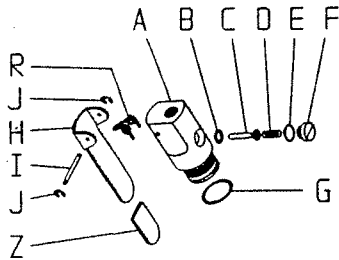
Item #	Part #	Description	Qty.
1	C10523	Barb, Swivel 3/8Hose x 1/4MPT	1
2	C10570	Valve Body Assembly (Refer to Illus. #2 for Breakdown)	1
*3	C10536	O-Ring 2 x 26mm	2
4		Grip, Foam	
	C10531	1-1/4"ID x 8"L (Models ALR-4 & ALR-5)	1 or 2
	C10539	1-1/4"ID x 12"L (Model ALR-2 Only)	1
5		Casing (Specify Size)	1
	C10587	Ergonomic Steel Model ALR-E5	
	C10587A	Ergonomic Alum. Model ALR-E5-A	
	C10532	Straight Steel 44-1/2" Model ALR-5	
	C10532A	Straight Alum. 44-1/2" Model ALR-5-A	
	C10589	Straight Steel 56-1/2" Model ALR-6	
	C10589A	Straight Alum. 56-1/2" Model ALR-6-A	
	C10533	Straight Steel 32-1/2" Model ALR-4	
	C10533A	Straight Alum. 32-1/2" Model ALR-4-A	
	C10534	Straight Steel 12" Model ALR-2	
	C10534A	Straight Alum. 12" Model ALR-2-A	
6	C10586	Clamp, Ergonomic Handle	1
7	10856	Screw, Skt. Hd. Cap 1/4-20 x 1-1/2	1
8	10869	Screw, Skt. Hd. Cap 1/4-20 x 1	1
9	66045	Wrench, Hex Key 3/16 in.	1
10	C10588	Handle, U-Shaped	1
11	61067	Grip, Foam 7/8"ID x 5"L	1
12		Cylinder Housing Assembly (Refer to Illus. #2 for Breakdown)	1
	C10535	Steel Housing	
	C10535A	Alum. Housing	
13	C10583	Piston Should be replaced	1
14	C10584	Cylinder together as a set.	1
*15	C10511	O-Ring 2 x 34mm	1
*16	C10512	O-Ring 2 x 37mm	1
17	C10537	Wrench, Hex Key 1/4 in.	1
18	C10514	Chisel Holder Assy., 5/8" Hex Shank (Refer to Illus. 2 for Breakdown)	1
19	C10302	LR-4 Chisel, 4" Steel - Standard (Other Accessories are Available)	1

* Note:

To order KIT OF ALL O-RINGS (8 Total) use part # C10550.
This kit includes items #3, 15, & 16 from Illustration #1
and items B, E, G, N, O, & P from Illustration #2.

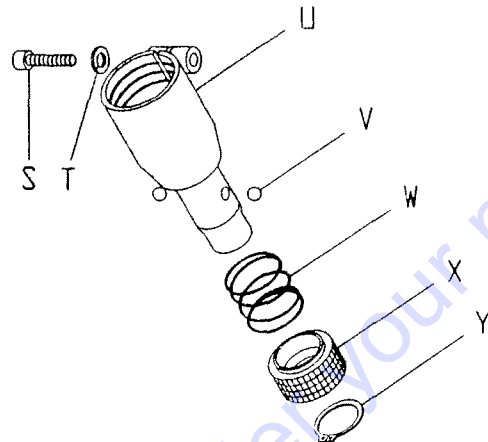
ILLUSTRATION #2

ITEM #2 C10570 VALVE BODY ASSEMBLY



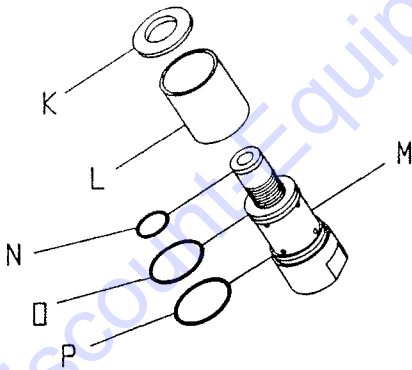
Item	Part #	Description	Qty.
A	C10571	Valve Body	1
B	C10540	O-Ring #109, 3/32 x 5/16" ID	1
C	C10572	Valve Stem	1
D	C10542	Spring, Valve Stem	1
E	C10543	O-Ring #013, 1/16 x 7/16" ID	1
F	C10544	Valve Stem Retainer	1
G	C10536	O-Ring 2 x 26mm	1
H	C10573	Lever, Air Valve	1
I	C10574	Pin, Valve Lever, 1/8 x 1-3/8	1
J	C10622	Retaining Ring, E-Clip 1/8"	2
R	C10585	Spring, Double Torsion	1
Z	C10569	Grip, Flat Red .125x.75x1.5"L	1

ITEM #18 C10514 CHISEL HOLDER ASSEMBLY



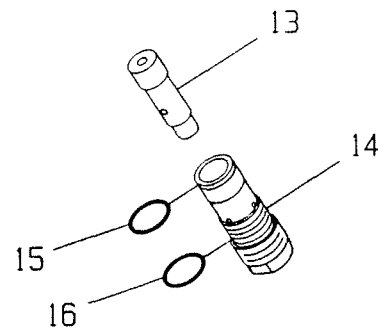
Item	Part #	Description	Qty.
S	C10577	Screw, Skt.Hd. 5/16-18 x 1-1/4	1
T	10801	Washer, Lock 5/16	1
U	C10578	Chuck Body	1
V	C10579	Ball, 5/16" Chrome	2
W	C10580	Spring, Comp. 1.5"OD x 1.25"L	1
X	C10581	Collar, Knurled Ball Locking	1
Y	C10582	Retaining Ring, Ext. 1-1/8"	1
17	C10537	Wrench, Hex Key 1/4" (Not Shown)	1

ITEM #12 C10535 OR C10535A CYLINDER HOUSING ASSEMBLY



Item	Part #	Description	Qty.
K	C10545	Cylinder Housing Cap	1
L	C10546	Cylinder Housing Sleeve	1
M	C10547	Steel Main Body	1
	C10547A	Alum. Main Body	1
N	C10536	O-Ring 2 x 26mm	1
O	C10548	O-Ring 2 x 46mm	1
P	C10549	O-Ring 2 x 48mm	1

ITEMS #13, 14, 15, & 16 PISTON & CYLINDER ASSEMBLY



Item	Part #	Description	Qty.
13	C10583	Piston	} Should be replaced together as a set. 1
14	C10584	Cylinder	
15	C10511	O-Ring 2 x 34mm	1
16	C10512	O-Ring 2 x 37mm	1

EDCO AIR-RAM LONG REACH SCALER - MODEL ALR OPERATORS INSTRUCTIONS



**READ AND UNDERSTAND THE INSTRUCTIONS THOROUGHLY
BEFORE ATTEMPTING TO OPERATE THIS EQUIPMENT.**

Death or serious injury could occur if the tool is used improperly.



1. When operating this equipment, the operator must wear approved job related safety attire. Eye and hearing protection must be worn at all times while equipment is in use. Sound levels exceed 92 dBA. Steel toe safety shoes should be worn. Head protection is required if work is performed overhead.



2. Use the correct size air hose for the tool. Hose and fittings must be rated for safe handling at 100 PSI pressure. The working pressure of this tool is 80 PSI and should never be allowed to exceed 90 PSI. **The maximum pressure is 100 PSI.**
3. Limit the hose length to 30 feet (10 meters) maximum. Note: The pressure drop of 3/8" diameter hose is approximately 3 PSI per 90 linear feet.
4. A filter/water separator must be provided on the air source to provide an adequate supply of clean, dry air to this tool. A lubricator should also be used. If a lubricator is unavailable, lubricate the tool daily by putting 4 to 5 drops of lightweight machine oil in the hose connector opening prior to connecting the air supply. In cold weather, use graphite oil for lubrication.
5. Use only genuine EDCO chisels and accessories with this equipment. To install a chisel, pull back on the spring loaded locking collar and hold while you firmly seat the chisel in the holder. Release collar to retain the chisel.

6. To remove a chisel, simply pull back on the spring loaded collar and hold while you remove the chisel. Release the collar when complete.
7. The appropriate accessory must be used for the job at hand. **DO NOT** force the tool into the work. The hammering action of the tool will perform the work for you. **NEVER** use the tool as a pry bar. Damage to the equipment will result. If the tool does not seem to perform the work to your specifications, try another accessory or contact Discount-equipment.
8. To activate tool, attach the air source, firmly grip the tool then squeeze the hand lever on the air valve.
9. **CAUTION** After releasing the air valve hand lever, the tool will continue to operate for up to 15 seconds. This is a normal result of stored pressure in the tool casing being released gradually. **Be sure to firmly grip the tool until ALL air leaves the chamber.**
10. Remove the air source from the tool when not in use.

MAINTENANCE INSTRUCTIONS

1. Remove air source and chisel accessory from tool before performing any maintenance.
2. Clean tool daily and keep it clean and lubricated. If a lubricator is provided with the air source, it should be adequate. If you are unsure or no lubricator is provided, lubricate the tool daily before use by putting 4 to 5 drops of lightweight machine oil in the hose connector opening. If tool is operated in cold weather (near or below freezing), use a graphite oil instead of the lightweight machine oil as described above.
3. After every 100 hours of use, flush the tool thoroughly with an environmentally safe, non-flammable and non-caustic solvent to clean out any oil/gunk buildup in the tool. Oil tool immediately after flushing.
4. Replace any damaged parts immediately. Use only genuine EDCO parts.

SPECIFICATIONS

	LENGTH*	WEIGHT*	
		Steel	Aluminum
ALR-2	28.5 in (72.4 cm)	8.6 lb (3.9 kg)	7.6 lb (3.4 kg)
ALR-4	49.0 in (124.5 cm)	11.3 lb (5.1 kg)	8.5 lb (3.9 kg)
ALR-5	61.0 in (154.9 cm)	12.9 lb (5.9 kg)	9.0 lb (4.1 kg)
ALR-6	73.0 in (185.4 cm)	14.5 lb (6.6 kg)	10.5 lb (4.8 kg)
ALR-ES	67.0 in (170.2 cm)	17.3 lb (7.8 kg)	12.3 lb (5.6 kg)

* All weight and dimensions include the standard 4" (10.2 cm) chisel.

Blows per Minute 2100-3000

Stroke 1.535 inches (38.99 mm)

Bore 1.188 inches (30.18 mm)

Air Flow Rate 6-8 CFM

Working Pressure 80-90 PSI (5.5-6.2 Bar), 100 PSI max

Noise Level During Operation Exceeds 92 dB(A)
Hearing protection must be worn

Caution Approximately 15 seconds of pressure is stored in case after air valve is released

Note Specifications are subject to change at any time.

PARTS FINDER

**Search Website
by Part Number**



**Search Manual
Library For Parts
Manual & Lookup Part
Numbers – Purchase
or Request Quote**

Search Manuals

Enter your information to help us find the right parts manual for your machine.

* Brand:

* Model:

* Serial:

* Part Number:

SEARCH

**Can't Find Part or
Manual? Request Help
by Manufacturer,
Model & Description**

Parts Order Form

Please fill in the following information to help us find the right part for your machine.

Manufacturer:	<input type="text"/>
Model:	<input type="text"/>
Description:	<input type="text"/>
Part Number:	<input type="text"/>
Quantity:	<input type="text"/>
Notes:	<input type="text"/>

Submit

Discount-Equipment.com is your online resource for quality parts & equipment.

Florida: **561-964-4949** Outside Florida TOLL FREE: **877-690-3101**

Need parts?

Click on this link: <http://www.discount-equipment.com/category/5443-parts/> and choose one of the options to help get the right parts and equipment you are looking for. Please have the machine model and serial number available in order to help us get you the correct parts. If you don't find the part on the website or on one of the online manuals, please fill out the request form and one of our experienced staff members will get back to you with a quote for the right part that your machine needs.

We sell worldwide for the brands: Genie, Terex, JLG, MultiQuip, Mikasa, Essick, Whiteman, Mayco, Toro Stone, Diamond Products, Generac Magnum, Airman, Haulotte, Barreto, Power Blanket, Nifty Lift, Atlas Copco, Chicago Pneumatic, Allmand, Miller Curber, Skyjack, Lull, Skytrak, Tsurumi, Husquvarna Target, Stow, Wacker, Sakai, Mi-T-M, Sullair, Basic, Dynapac, MBW, Weber, Bartell, Bennar Newman, Haulotte, Ditch Runner, Menegotti, Morrison, Contec, Buddy, Crown, Edco, Wyco, Bomag, Laymor, EZ Trench, Bil-Jax, F.S. Curtis, Gehl Pavers, Heli, Honda, ICS/PowerGrit, IHI, Partner, Imer, Clipper, MMD, Koshin, Rice, CH&E, General Equipment, Amida, Coleman, NAC, Gradall, Square Shooter, Kent, Stanley, Tamco, Toku, Hatz, Kohler, Robin, Wisconsin, Northrock, Oztec, Toker TK, Rol-Air, APT, Wylie, Ingersoll Rand / Doosan, Innovatech, Con X, Ammann, Mecalac, Makinex, Smith Surface Prep, Small Line, Wanco, Yanmar