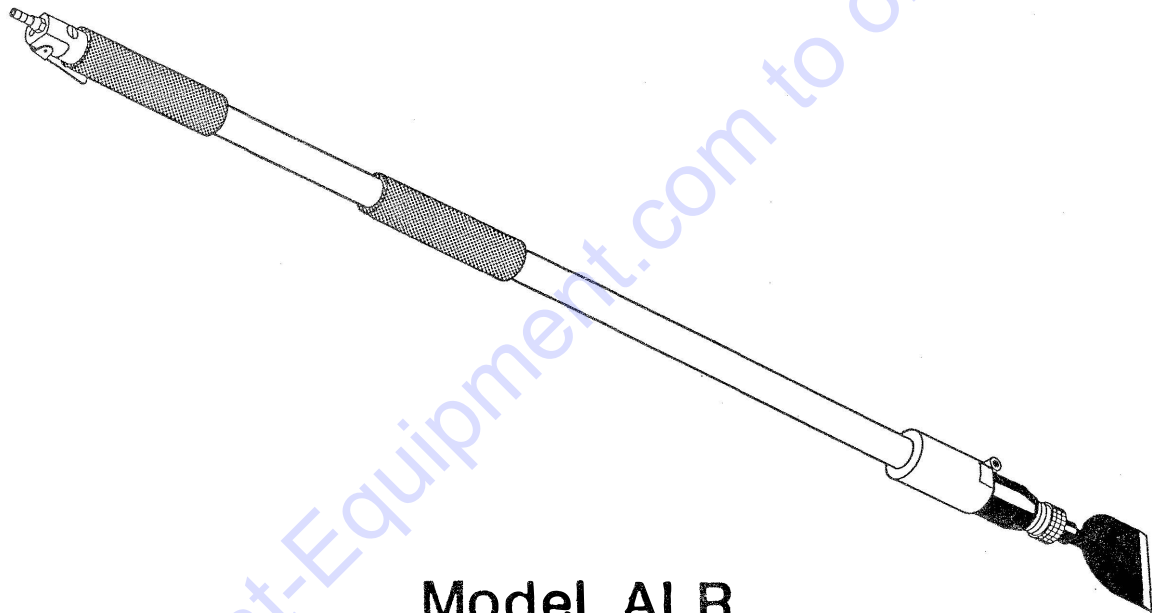


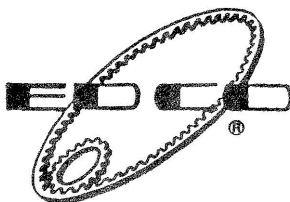


LONG REACH SCALER

INSTRUCTIONS AND PARTS MANUAL



Model ALR



PARTS FINDER

**Search Website
by Part Number**



**Search Manual
Library For Parts
Manual & Lookup Part
Numbers – Purchase
or Request Quote**

A screenshot of the "Search Manuals" form. The form is titled "Search Manuals" and has a subtitle "Please provide information to help us locate the right manual or parts manual for your machine." Below the subtitle, there are several input fields: "Brand" (a dropdown menu), "Model" (a dropdown menu), "Serial" (a text field), "Part Number" (a text field), "Part Name" (a text field), and "Comments" (a text area). At the bottom of the form, there is a "Search" button.

**Can't Find Part or
Manual? Request Help
by Manufacturer,
Model & Description**

A screenshot of the "Parts Order Form". The form is titled "Parts Order Form" and has a subtitle "Please fill in the information below." Below the subtitle, there are several input fields: "Manufacturer" (a dropdown menu), "Model" (a dropdown menu), "Year" (a dropdown menu), "Description" (a text area), "Part Number" (a text field), "Part Name" (a text field), "Quantity" (a text field), "Price" (a text field), "Comments" (a text area), and "Submit" (a button).

Discount-Equipment.com is your online resource for quality parts & equipment.

Florida: **561-964-4949** Outside Florida TOLL FREE: **877-690-3101**

Need parts?

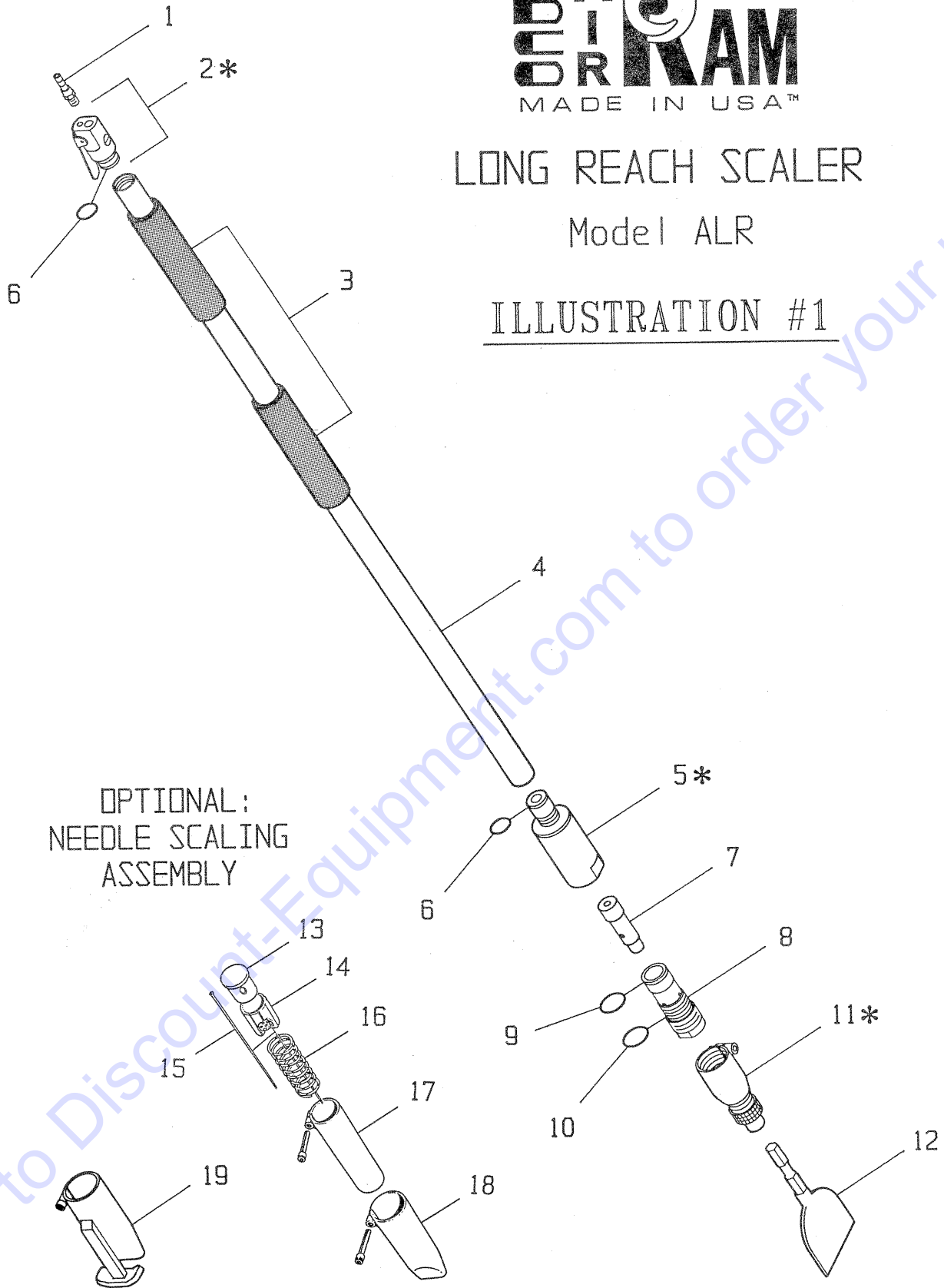
Click on this link: <http://www.discount-equipment.com/category/5443-parts/> and choose one of the options to help get the right parts and equipment you are looking for. Please have the machine model and serial number available in order to help us get you the correct parts. If you don't find the part on the website or on one of the online manuals, please fill out the request form and one of our experienced staff members will get back to you with a quote for the right part that your machine needs.

We sell worldwide for the brands: Genie, Terex, JLG, MultiQuip, Mikasa, Essick, Whiteman, Mayco, Toro Stone, Diamond Products, Generac Magnum, Airman, Haulotte, Barreto, Power Blanket, Nifty Lift, Atlas Copco, Chicago Pneumatic, Allmand, Miller Curber, Skyjack, Lull, Skytrak, Tsurumi, Husquvarna Target, Stow, Wacker, Sakai, Mi-T-M, Sullair, Basic, Dynapac, MBW, Weber, Bartell, Bennar Newman, Haulotte, Ditch Runner, Menegotti, Morrison, Contec, Buddy, Crown, Edco, Wyco, Bomag, Laymor, EZ Trench, Bil-Jax, F.S. Curtis, Gehl Pavers, Heli, Honda, ICS/PowerGrit, IHI, Partner, Imer, Clipper, MMD, Koshin, Rice, CH&E, General Equipment, Amida, Coleman, NAC, Gradall, Square Shooter, Kent, Stanley, Tamco, Toku, Hatz, Kohler, Robin, Wisconsin, Northrock, Oztec, Toker TK, Rol-Air, APT, Wylie, Ingersoll Rand / Doosan, Innovatech, Con X, Ammann, Mecalac, Makinex, Smith Surface Prep, Small Line, Wanco, Yanmar

LONG REACH SCALER

Model ALR

ILLUSTRATION #1



*NOTE: These items are Assemblies
See Illustration #2 for breakdown

PARTS LISTING - ILLUSTRATION #1

Item #	Part #	Description	Qty.
1.	C10523	Barb, Swivel 3/8Hose x 1/4MPT	1
2.	C10570	Valve Body Assembly (See Illus. #2 for Breakdown)	1
3.	C10531	Grip, Foam 8"	2
4.		Casing (Specify Size)	1
	C10532	5 foot	
	C10533	4 foot	
	C10534	2 foot	
5.	C10535	Cylinder Housing Assembly (See Illus. #2 for Breakdown)	1
6.	C10536	"O" Ring #023 (See Illus. #2, Items "G" & "N")	
7.	C10583	Piston } Should be replaced	1
8.	C10584	Cylinder } together as a set.	1
9.	C10511	"O" Ring #028	1
10.	C10512	"O" Ring #029	1
11.	C10514	Chisel Holder, 5/8" Hex Shank (See Illus. #2 for Breakdown)	1
12.	C10302	LR-4 Chisel, 4" Steel (Other Accessories Available)	1
	C10537	Allen Key 1/4 in. (Not Shown)	1

OPTIONAL - NEEDLE SCALING ASSEMBLY (Part #C10307)

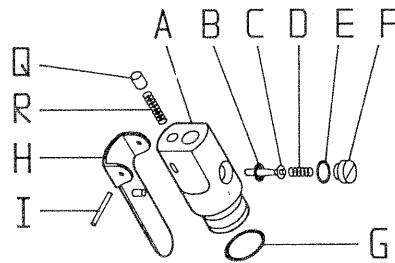
13.	C10516	Anvil	1
14.	C10517	Needle Holder for 3mm Needle	1
15.		Needle 3mm x 7" (28 per set)	28
	C10397	AN-CP Chisel Tip (Standard)	
	C10396	AN-PT Pointed Tip (Optional)	
	C10395	AN-FL Flat Tip (Optional)	
16.	C10518	Spring, Compression	1
17.	C10519	Intermediate Tube, Round Front & Screw, Skt. Hd. 8M x 30mm	1
18.	C10520	Front Tube, Straight & Screw, Skt. Hd. 8M x 30mm	1
	C10515	Allen Key 6mm (Not Shown)	1

OPTIONAL - FRONT TUBE WITH FOOT FOR CRACK CHASING

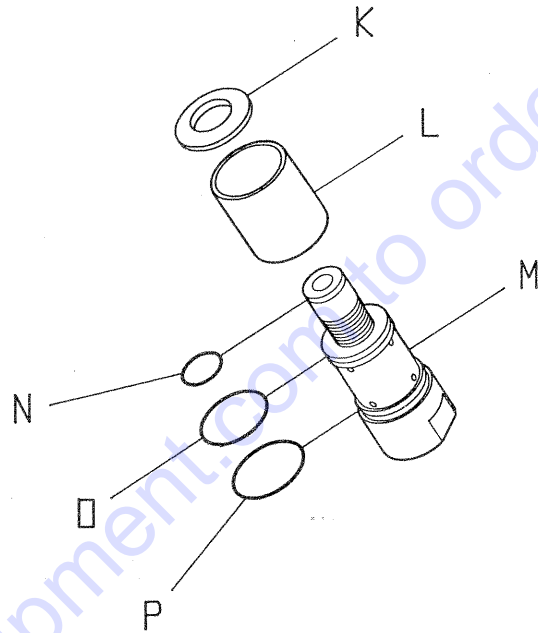
19.	C10538	Front Tube, Crack Chaser & Screw, Skt. Hd. 8M x 30mm	1
-----	--------	---	---

ILLUSTRATION #2

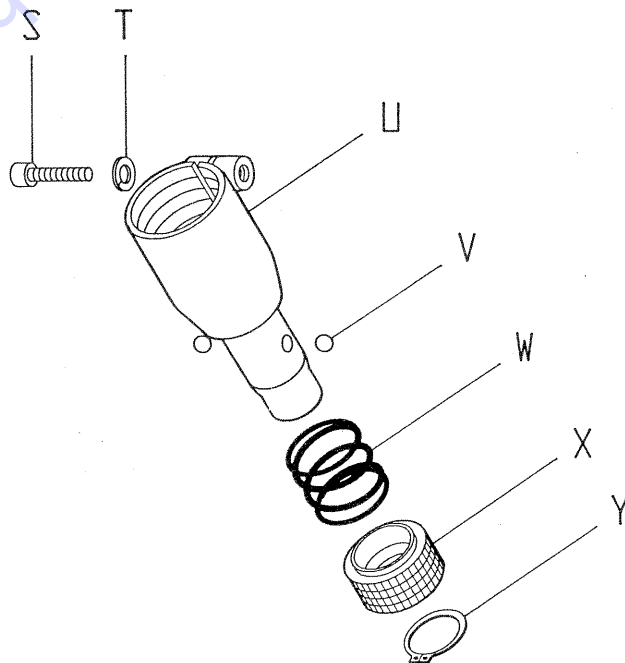
ITEM #2
VALVE BODY
ASSEMBLY



ITEM #5
CYLINDER HOUSING
ASSEMBLY



ITEM #11
CHISEL HOLDER
ASSEMBLY



PARTS LISTING - ILLUSTRATION #2

Item	Part #	Description	Qty.
2	C10570	Valve Body Assembly	
A	C10571	Valve Body	1
B	C10540	"O" Ring, Valve Stem #109	1
C	C10572	Valve Stem	1
D	C10542	Spring, Valve Stem	1
E	C10543	"O" Ring, Stem Retainer #013	1
F	C10544	Valve Stem Retainer	1
G	C10536	"O" Ring, Valve Body #023	1
H	C10573	Valve Lever	1
I	C10574	Roll Pin 1/8 x 1-1/4	1
Q	C10575	Spring Retaining Cap	1
R	C10576	Spring, Valve Lever	1
5	C10535	Cylinder Housing Assembly	
K	C10545	Cylinder Housing Cap	1
L	C10546	Cylinder Housing Sleeve	1
M	C10547	Cylinder Housing Main Body	1
N	C10536	"O" Ring #023	1
O	C10548	"O" Ring #031	1
P	C10549	"O" Ring #032	1
11	C10514	Chisel Holder Assembly	
S	C10577	Screw, Skt.Hd. 5/16-18 x 1-1/4	1
T	10801	Washer, Lock 5/16	1
U	C10578	Chuck Body	1
V	C10579	Ball, 5/16" Chrome	2
W	C10580	Spring, Comp. 1-1/2"OD x 1-1/4"L	1
X	C10581	Collar, Knurled Ball Locking	1
Y	C10582	Retaining Ring, Ext. 1-1/8"	1

PARTS FINDER

**Search Website
by Part Number**



**Search Manual
Library For Parts
Manual & Lookup Part
Numbers – Purchase
or Request Quote**

Search Manuals

Enter your information to help us find the right parts manual for your machine.

* Brand:

* Model:

* Serial:

* Part Number:

SEARCH

**Can't Find Part or
Manual? Request Help
by Manufacturer,
Model & Description**

Parts Order Form

Please fill in the following information to help us find the right part for your machine.

Manufacturer:	<input type="text"/>
Model:	<input type="text"/>
Description:	<input type="text"/>
Part Number:	<input type="text"/>
Quantity:	<input type="text"/>
Notes:	<input type="text"/>

Submit

Discount-Equipment.com is your online resource for quality parts & equipment.

Florida: **561-964-4949** Outside Florida TOLL FREE: **877-690-3101**

Need parts?

Click on this link: <http://www.discount-equipment.com/category/5443-parts/> and choose one of the options to help get the right parts and equipment you are looking for. Please have the machine model and serial number available in order to help us get you the correct parts. If you don't find the part on the website or on one of the online manuals, please fill out the request form and one of our experienced staff members will get back to you with a quote for the right part that your machine needs.

We sell worldwide for the brands: Genie, Terex, JLG, MultiQuip, Mikasa, Essick, Whiteman, Mayco, Toro Stone, Diamond Products, Generac Magnum, Airman, Haulotte, Barreto, Power Blanket, Nifty Lift, Atlas Copco, Chicago Pneumatic, Allmand, Miller Curber, Skyjack, Lull, Skytrak, Tsurumi, Husquvarna Target, Stow, Wacker, Sakai, Mi-T-M, Sullair, Basic, Dynapac, MBW, Weber, Bartell, Bennar Newman, Haulotte, Ditch Runner, Menegotti, Morrison, Contec, Buddy, Crown, Edco, Wyco, Bomag, Laymor, EZ Trench, Bil-Jax, F.S. Curtis, Gehl Pavers, Heli, Honda, ICS/PowerGrit, IHI, Partner, Imer, Clipper, MMD, Koshin, Rice, CH&E, General Equipment, Amida, Coleman, NAC, Gradall, Square Shooter, Kent, Stanley, Tamco, Toku, Hatz, Kohler, Robin, Wisconsin, Northrock, Oztec, Toker TK, Rol-Air, APT, Wylie, Ingersoll Rand / Doosan, Innovatech, Con X, Ammann, Mecalac, Makinex, Smith Surface Prep, Small Line, Wanco, Yanmar