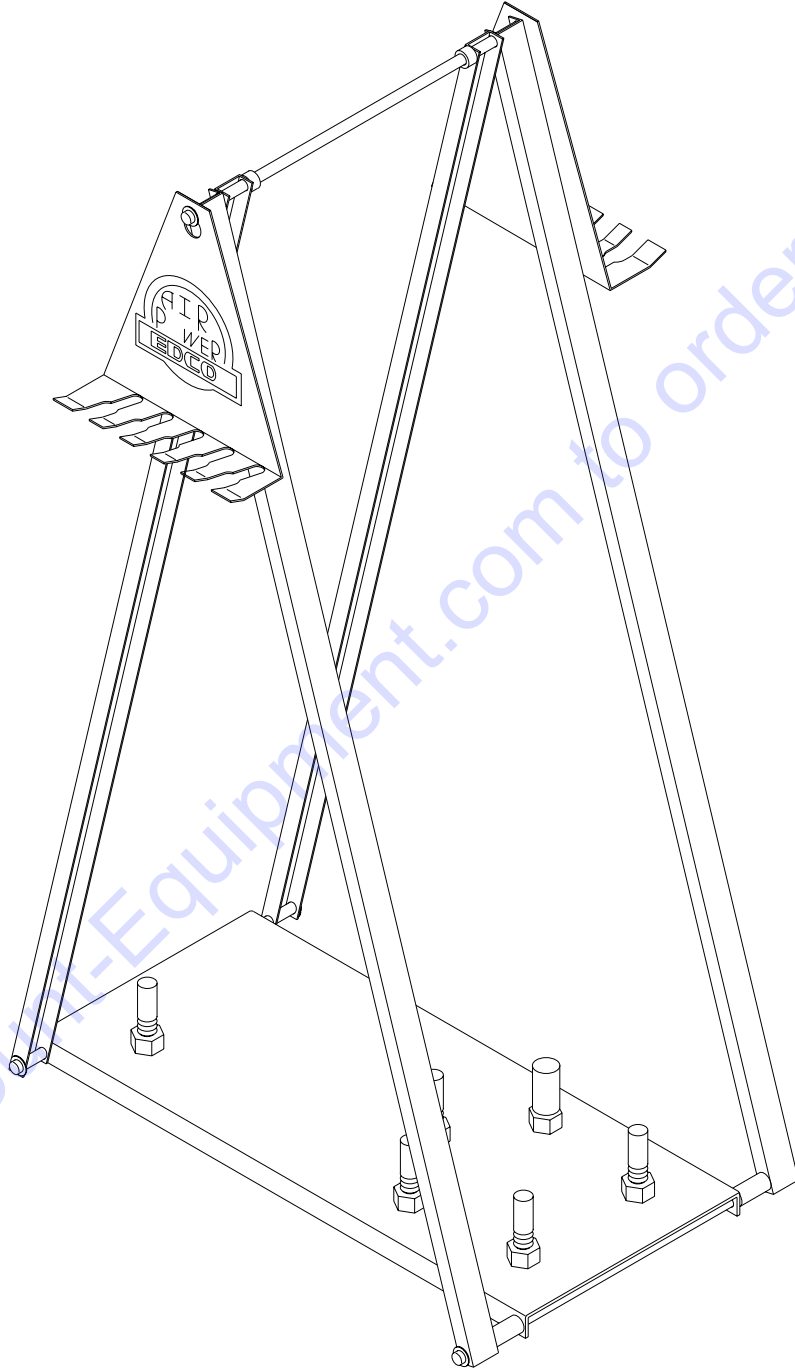




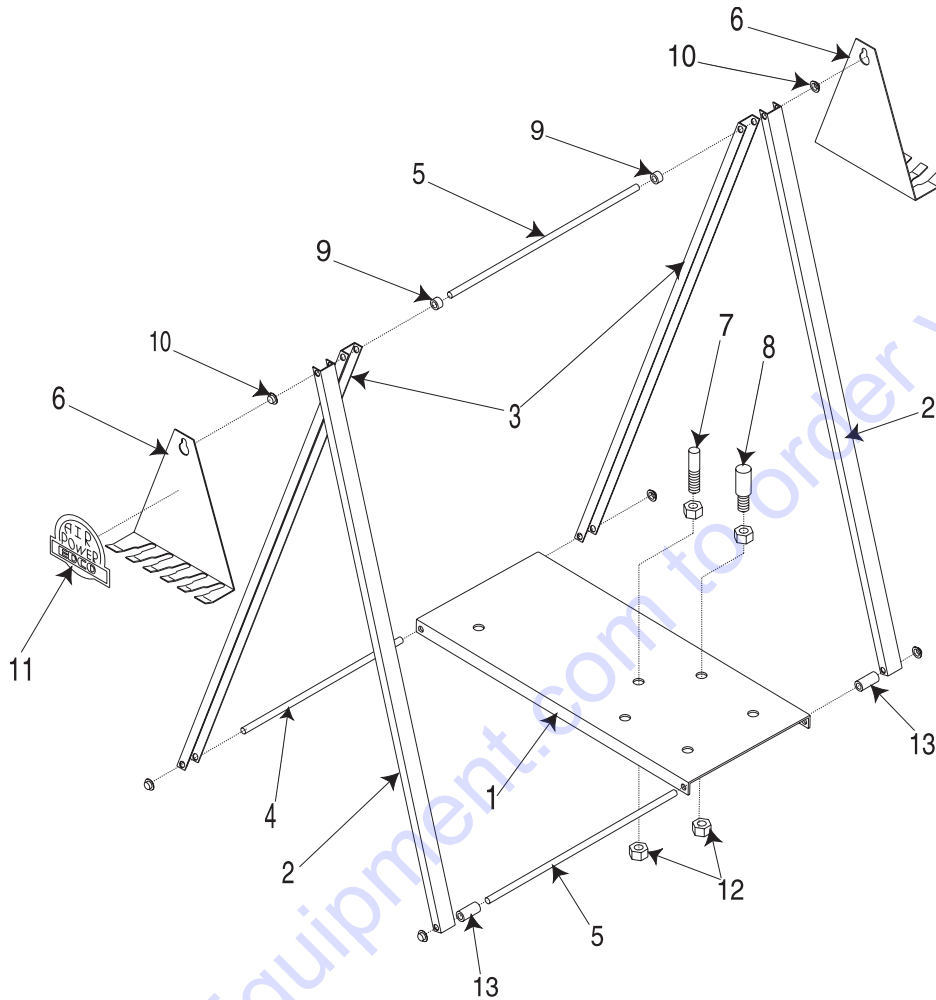
PARTS LIST



**Chisel Scaler Display Stand
Part No. 27075**



**CHISEL SCALER DISPLAY STAND
PART NO. 27075**



ITEM #	PART #	DESCRIPTION	QTY.
1	27076	BASE, CHISEL SCALER DISPLAY STAND	1
2	27077	LEG, CHISEL SCALER DISPLAY STAND 40"	2
3	27087	LEG, CHISEL SCALER DISPLAY STAND 39-5/16"	2
4	27078	ROD, STEEL 3/8" DIA. x 12-5/8" L	1
5	27079	ROD, STEEL 3/8" DIA. x 15-1/8	2
6	27080	BRACKET, HEX CHISELS	2
7	27082	HOLDER, ALR-E/5/4/2, DISPLAY STAND	5
8	27083	HOLDER, BIG STICK, DISPLAY STAND	1
9	27084	COLLAR, LOCKING 3/8"	2
10	27085	NUT, WASHER-CAP PUSH 3/8"	6
11	27086	DECAL, AIR POWER EDCO (ALR DISPLAY)	2
12	10046	NUT 5/8-11	12
13	27088	SPACER, STEEL 5/8" OD x 3/8" ID x 1-5/16	2

PARTS FINDER

**Search Website
by Part Number**



**Search Manual
Library For Parts
Manual & Lookup Part
Numbers – Purchase
or Request Quote**

Search Manuals

Enter your information to help us find the right parts manual for your machine.

* Brand:

* Model:

* Serial:

* Part Number:

SEARCH

**Can't Find Part or
Manual? Request Help
by Manufacturer,
Model & Description**

Parts Order Form

Please fill in the following information to help us find the right part for your machine.

Manufacturer:	<input type="text"/>
Model:	<input type="text"/>
Description:	<input type="text"/>
Part Number:	<input type="text"/>
Quantity:	<input type="text"/>
Notes:	<input type="text"/>

Discount-Equipment.com is your online resource for quality parts & equipment.

Florida: **561-964-4949** Outside Florida TOLL FREE: **877-690-3101**

Need parts?

Click on this link: <http://www.discount-equipment.com/category/5443-parts/> and choose one of the options to help get the right parts and equipment you are looking for. Please have the machine model and serial number available in order to help us get you the correct parts. If you don't find the part on the website or on one of the online manuals, please fill out the request form and one of our experienced staff members will get back to you with a quote for the right part that your machine needs.

We sell worldwide for the brands: Genie, Terex, JLG, MultiQuip, Mikasa, Essick, Whiteman, Mayco, Toro Stone, Diamond Products, Generac Magnum, Airman, Haulotte, Barreto, Power Blanket, Nifty Lift, Atlas Copco, Chicago Pneumatic, Allmand, Miller Curber, Skyjack, Lull, Skytrak, Tsurumi, Husquvarna Target, Stow, Wacker, Sakai, Mi-T-M, Sullair, Basic, Dynapac, MBW, Weber, Bartell, Bennar Newman, Haulotte, Ditch Runner, Menegotti, Morrison, Contec, Buddy, Crown, Edco, Wyco, Bomag, Laymor, EZ Trench, Bil-Jax, F.S. Curtis, Gehl Pavers, Heli, Honda, ICS/PowerGrit, IHI, Partner, Imer, Clipper, MMD, Koshin, Rice, CH&E, General Equipment, Amida, Coleman, NAC, Gradall, Square Shooter, Kent, Stanley, Tamco, Toku, Hatz, Kohler, Robin, Wisconsin, Northrock, Oztec, Toker TK, Rol-Air, APT, Wylie, Ingersoll Rand / Doosan, Innovatech, Con X, Ammann, Mecalac, Makinex, Smith Surface Prep, Small Line, Wanco, Yanmar