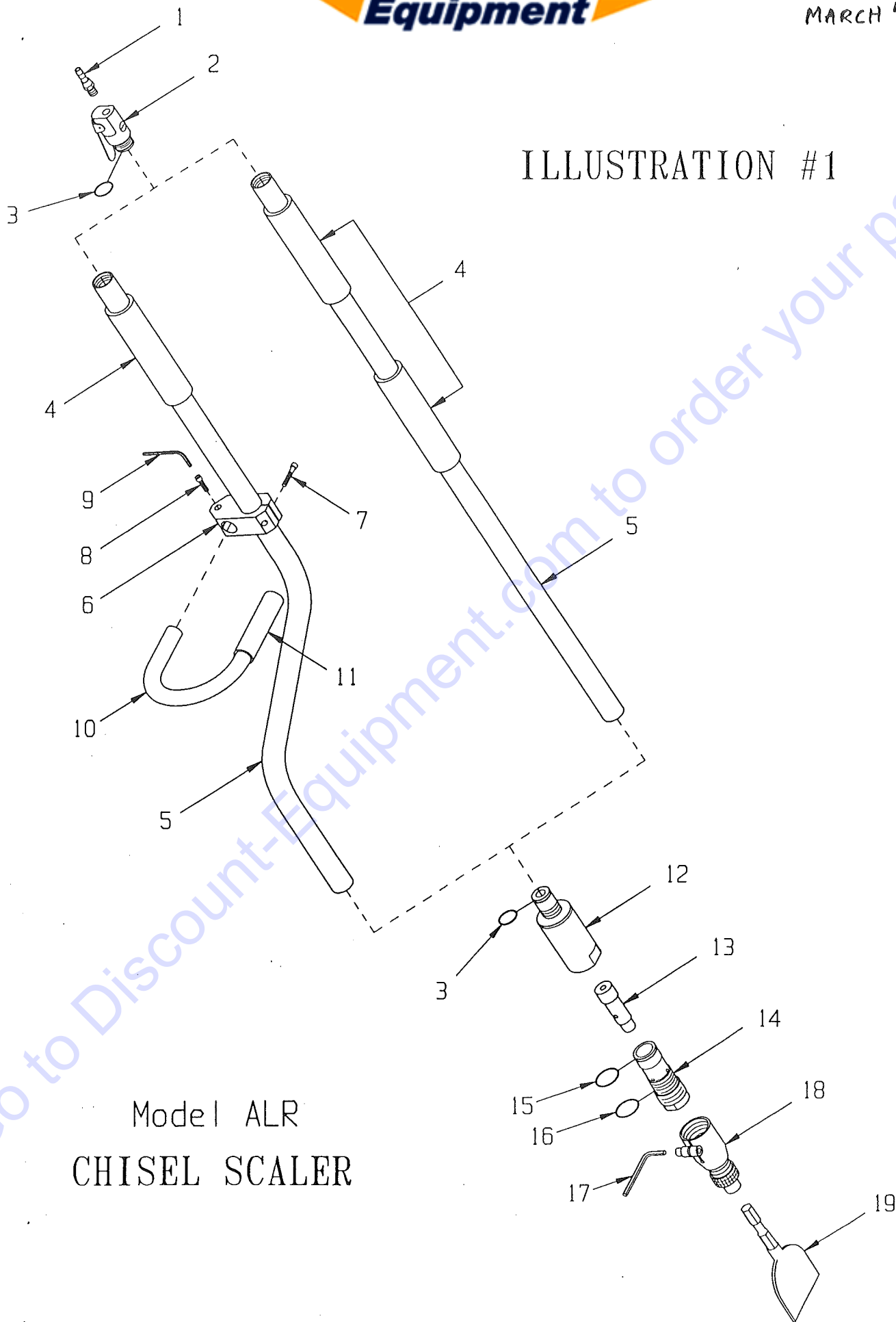


ILLUSTRATION #1



Model ALR
CHISEL SCALER

Go to Discount-Equipment.com to order your parts

REVISED
MARCH '96

PARTS LISTING - ILLUSTRATION #1			
Item #	Part #	Description	Qty.
1	C10523	Barb, Swivel 3/8Hose x 1/4MPT	1
2	C10570	Valve Body Assembly (Refer to Illus. #2 for Breakdown)	1
3	C10536	O-Ring 2 x 26mm	2
4		Grip, Foam	
	C10531	1-1/4"ID x 8"L (Models ALR-4 & ALR-5)	1 or 2
	C10539	1-1/4"ID x 12"L (Model ALR-2 Only)	1
5		Casing (Specify Size)	1
	C10587	Ergonomic Steel Model ALR-5	
	C10587A	Ergonomic Alum. Model ALR-5-A	
	C10532	Straight Steel 44-1/2" Model ALR-5	
	C10532A	Straight Alum. 44-1/2" Model ALR-5-A	
	C10533	Straight Steel 32-1/2" Model ALR-4	
	C10533A	Straight Alum. 32-1/2" Model ALR-4-A	
	C10534	Straight Steel 12" Model ALR-2	
	C10534A	Straight Alum. 12" Model ALR-2-A	
6	C10586	Clamp, Ergonomic Handle	1
7	10856	Screw, Skt. Hd. Cap 1/4-20 x 1-1/2	1
8	10869	Screw, Skt. Hd. Cap 1/4-20 x 1	1
9	66045	Wrench, Hex Key 3/16 in.	1
10	C10588	Handle, U-Shaped	1
11	61067	Grip, Foam 7/8"ID x 5"L	1
12		Cylinder Housing Assembly (Refer to Illus. #2 for Breakdown)	1
	C10535	Steel Housing	
	C10535A	Alum. Housing	
13	C10583	Piston } Should be replaced	1
14	C10584	Cylinder } together as a set.	1
15	C10511	O-Ring 2 x 34mm	1
16	C10512	O-Ring 2 x 37mm	1
17	C10537	Wrench, Hex Key 1/4 in.	1
18	C10514	Chisel Holder Assy., 5/8" Hex Shank (Refer to Illus. 2 for Breakdown)	1
19	C10302	LR-4 Chisel, 4" Steel - Standard (Other Accessories are Available)	1

PARTS FINDER

**Search Website
by Part Number**



**Search Manual
Library For Parts
Manual & Lookup Part
Numbers – Purchase
or Request Quote**

Search Manuals

Enter your information to help us find the right parts manual for your machine.

* Brand:

* Model:

* Serial:

* Part Number:

SEARCH

**Can't Find Part or
Manual? Request Help
by Manufacturer,
Model & Description**

Parts Order Form

Please fill in the following information to help us find the right part for your machine.

Manufacturer:	<input type="text"/>
Model:	<input type="text"/>
Description:	<input type="text"/>
Part Number:	<input type="text"/>
Quantity:	<input type="text"/>
Notes:	<input type="text"/>

Submit

Discount-Equipment.com is your online resource for quality parts & equipment.

Florida: **561-964-4949** Outside Florida TOLL FREE: **877-690-3101**

Need parts?

Click on this link: <http://www.discount-equipment.com/category/5443-parts/> and choose one of the options to help get the right parts and equipment you are looking for. Please have the machine model and serial number available in order to help us get you the correct parts. If you don't find the part on the website or on one of the online manuals, please fill out the request form and one of our experienced staff members will get back to you with a quote for the right part that your machine needs.

We sell worldwide for the brands: Genie, Terex, JLG, MultiQuip, Mikasa, Essick, Whiteman, Mayco, Toro Stone, Diamond Products, Generac Magnum, Airman, Haulotte, Barreto, Power Blanket, Nifty Lift, Atlas Copco, Chicago Pneumatic, Allmand, Miller Curber, Skyjack, Lull, Skytrak, Tsurumi, Husquvarna Target, Stow, Wacker, Sakai, Mi-T-M, Sullair, Basic, Dynapac, MBW, Weber, Bartell, Bennar Newman, Haulotte, Ditch Runner, Menegotti, Morrison, Contec, Buddy, Crown, Edco, Wyco, Bomag, Laymor, EZ Trench, Bil-Jax, F.S. Curtis, Gehl Pavers, Heli, Honda, ICS/PowerGrit, IHI, Partner, Imer, Clipper, MMD, Koshin, Rice, CH&E, General Equipment, Amida, Coleman, NAC, Gradall, Square Shooter, Kent, Stanley, Tamco, Toku, Hatz, Kohler, Robin, Wisconsin, Northrock, Oztec, Toker TK, Rol-Air, APT, Wylie, Ingersoll Rand / Doosan, Innovatech, Con X, Ammann, Mecalac, Makinex, Smith Surface Prep, Small Line, Wanco, Yanmar