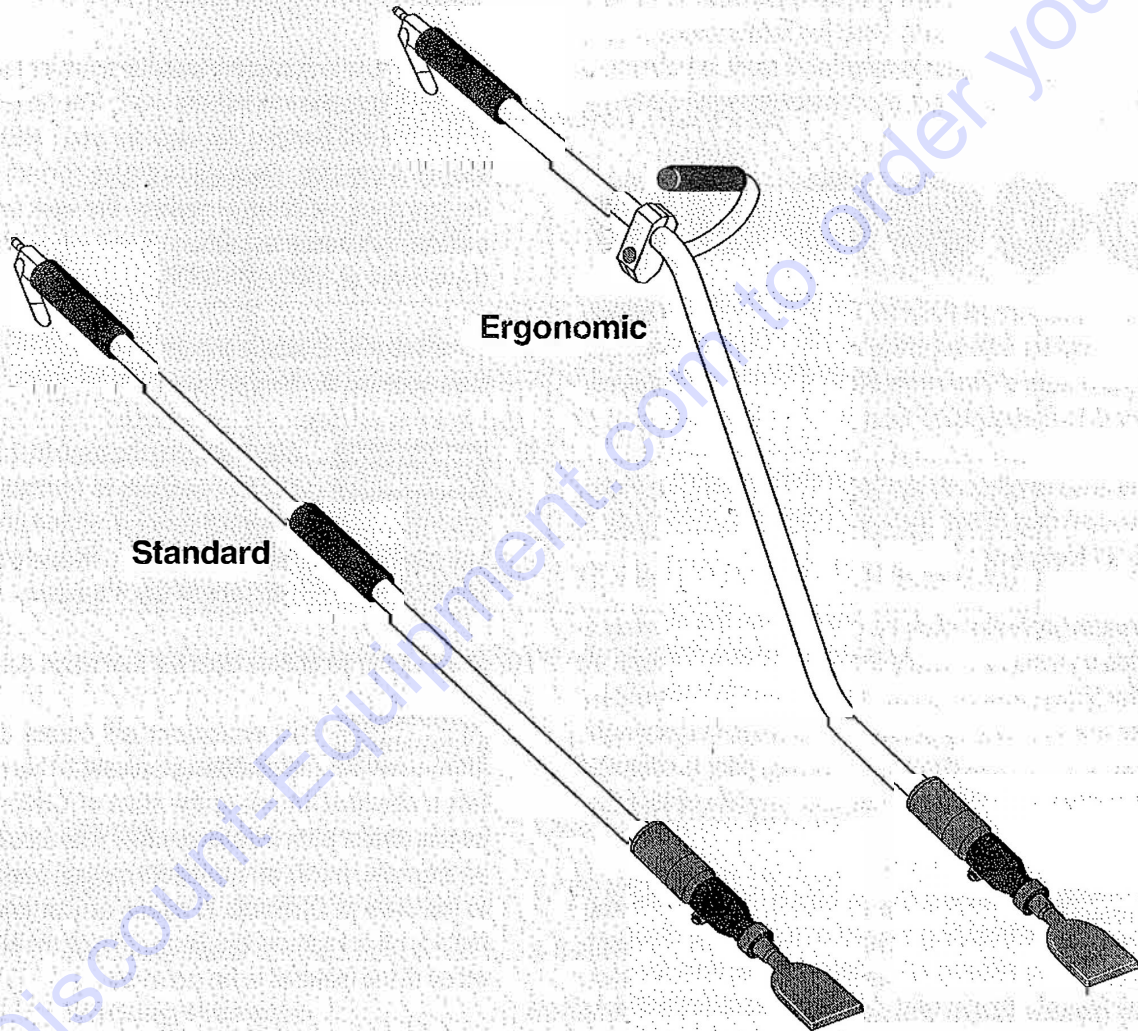




Revised Starting Serial #24650

Instructions & Parts List Manual Model ALR



CHISEL SCALER



PARTS FINDER

**Search Website
by Part Number**



**Search Manual
Library For Parts
Manual & Lookup Part
Numbers – Purchase
or Request Quote**

Search Manuals

Enter your information to help us find the right part for your machine.

* Brand:

* Model:

* Serial:

* Part Number:

SEARCH

**Can't Find Part or
Manual? Request Help
by Manufacturer,
Model & Description**

Parts Order Form

Please fill in the following information to help us find the right part for your machine.

Manufacturer:

Model:

Description:

Quantity:

Part Number:

Part Name:

Part Description:

Part Category:

Part Location:

Part Status:

Part Date:

Part Price:

Part Cost:

Part Weight:

Part Length:

Part Width:

Part Height:

Part Diameter:

Part Thickness:

Part Material:

Part Finish:

Part Color:

Part Notes:

Part Reference:

Part Drawing:

Part Photo:

Part Video:

Part Audio:

Part Other:

Part Submit

Discount-Equipment.com is your online resource for quality parts & equipment.

Florida: **561-964-4949** Outside Florida TOLL FREE: **877-690-3101**

Need parts?

Click on this link: <http://www.discount-equipment.com/category/5443-parts/> and choose one of the options to help get the right parts and equipment you are looking for. Please have the machine model and serial number available in order to help us get you the correct parts. If you don't find the part on the website or on one of the online manuals, please fill out the request form and one of our experienced staff members will get back to you with a quote for the right part that your machine needs.

We sell worldwide for the brands: Genie, Terex, JLG, MultiQuip, Mikasa, Essick, Whiteman, Mayco, Toro Stone, Diamond Products, Generac Magnum, Airman, Haulotte, Barreto, Power Blanket, Nifty Lift, Atlas Copco, Chicago Pneumatic, Allmand, Miller Curber, Skyjack, Lull, Skytrak, Tsurumi, Husquvarna Target, Stow, Wacker, Sakai, Mi-T-M, Sullair, Basic, Dynapac, MBW, Weber, Bartell, Bennar Newman, Haulotte, Ditch Runner, Menegotti, Morrison, Contec, Buddy, Crown, Edco, Wyco, Bomag, Laymor, EZ Trench, Bil-Jax, F.S. Curtis, Gehl Pavers, Heli, Honda, ICS/PowerGrit, IHI, Partner, Imer, Clipper, MMD, Koshin, Rice, CH&E, General Equipment, Amida, Coleman, NAC, Gradall, Square Shooter, Kent, Stanley, Tamco, Toku, Hatz, Kohler, Robin, Wisconsin, Northrock, Oztec, Toker TK, Rol-Air, APT, Wylie, Ingersoll Rand / Doosan, Innovatech, Con X, Ammann, Mecalac, Makinex, Smith Surface Prep, Small Line, Wanco, Yanmar

EDCO AIR-RAM LONG REACH SCALER - MODEL ALR OPERATORS INSTRUCTIONS



**READ AND UNDERSTAND THE INSTRUCTIONS THOROUGHLY
BEFORE ATTEMPTING TO OPERATE THIS EQUIPMENT.**

Death or serious injury could occur if the tool is used improperly.



1. When operating this equipment, the operator must wear approved job related safety attire. Eye and hearing protection must be worn at all times while equipment is in use. Sound levels exceed 92 dBA. Steel toe safety shoes should be worn. Head protection is required if work is performed overhead. Wear proper dust mask based on material being removed.



2. Use the correct size air hose for the tool. Hose and fittings must be rated for safe handling at 100 PSI pressure. The working pressure of this tool is 80-90 PSI and should never be allowed to exceed 100 PSI.
3. Limit the hose length to 30 feet (10 meters) maximum. Note: The pressure drop of 3/8" diameter hose is approximately 3 PSI per 90 linear feet.
4. A filter/water separator must be provided on the air source to provide an adequate supply of clean, dry air to this tool. A lubricator should also be used. If a lubricator is unavailable, lubricate the tool daily by putting 4 to 5 drops of lightweight machine oil in the hose connector opening prior to connecting the air supply. In cold weather, use graphite oil for lubrication.
5. **WARNING** Disconnect the air supply before removing or installing a chisel or accessory. Squeeze the hand lever to release all compressed air from the tool. use only genuine EDCO chisels and accessories with this equipment. Failure to do so may result in serious bodily injury or death.
6. To install or remove chisel:
Disconnect the air supply. Squeeze the hand lever to release all compressed air. Pull back on the spring loaded locking collar and hold while you remove the chisel. Hold

back on the spring loaded locking collar while you firmly seat the new chisel in the holder. Release collar to retain the chisel.

7. The appropriate accessory must be used for the job at hand. **DO NOT** force the tool into the work. The hammering action of the tool will perform the work for you. **NEVER** use the tool as a pry bar. Damage to the equipment will result. If the tool does not seem to perform the work to your specifications, try another accessory or contact Discount-equipment
8. To activate tool, attach the air source, firmly grip the tool then squeeze the hand lever on the air valve.
9. **CAUTION** After releasing the air valve hand lever, the tool will continue to operate for up to 15 seconds. This is a normal result of stored pressure in the tool casing being released gradually. **Be sure to firmly grip the tool until ALL air leaves the chamber.**
10. Remove the air source from the tool when not in use.
11. **WARNING** This equipment will create dust from the material being removed. That dust may contain a chemical known to the state of California to cause cancer and/or birth defects or other reproductive harm. As an example, paints and concrete contain chemicals known to the state of California to cause cancer and/or birth defects or other reproductive harm. Check the chemical properties of the material to be removed.
12. **CAUTION** It is the operator's responsibility to keep other people (workers, pedestrians, bystanders, etc.) away during operation. Block off the work area in all directions with roping, safety netting, etc. for a safe distance. Failure to do so may result in others being injured by flying debris or exposing them to harmful dust and noise.

MAINTENANCE INSTRUCTIONS

1. Remove air source and chisel accessory from tool before performing any maintenance.
2. Clean tool daily and keep it clean and lubricated. If a lubricator is provided with the air source, it should be adequate. If you are unsure or no lubricator is provided, lubricate the tool daily before use by putting 4 to 5 drops of lightweight machine oil in the hose connector opening. If tool is operated in cold weather (near or below freezing), use a graphite oil instead of the lightweight machine oil as described above.
3. After every 100 hours of use, flush the tool thoroughly with an environmentally safe, non-flammable and non-caustic solvent to clean out any oil/gunk buildup in the tool. Oil tool immediately after flushing.
4. Replace any damaged parts immediately. Use only genuine EDCO parts.

SPECIFICATIONS

| | <u>LENGTH*</u> | <u>WEIGHT*</u> | |
|--------|--------------------|------------------|------------------|
| | | Steel | Aluminum |
| ALR-2 | 28.5 in (72.4 cm) | 8.6 lb (3.9 kg) | 7.6 lb (3.4 kg) |
| ALR-4 | 49.0 in (124.5 cm) | 11.3 lb (5.1 kg) | 8.5 lb (3.9 kg) |
| ALR-5 | 61.0 in (154.9 cm) | 12.9 lb (5.9 kg) | 9.0 lb (4.1 kg) |
| ALR-E5 | 67.0 in (170.2 cm) | 17.3 lb (7.8 kg) | 12.3 lb (5.6 kg) |

* All weight and dimensions include the standard 4" (10.2 cm) chisel.

Blows per Minute 2100-3000

Stroke 1.535 inches (38.99 mm)

Bore 1.188 inches (30.18 mm)

Air Flow Rate 6-8 CFM

Working Pressure 80-90 PSI (5.5-6.2 Bar), 100 PSI max

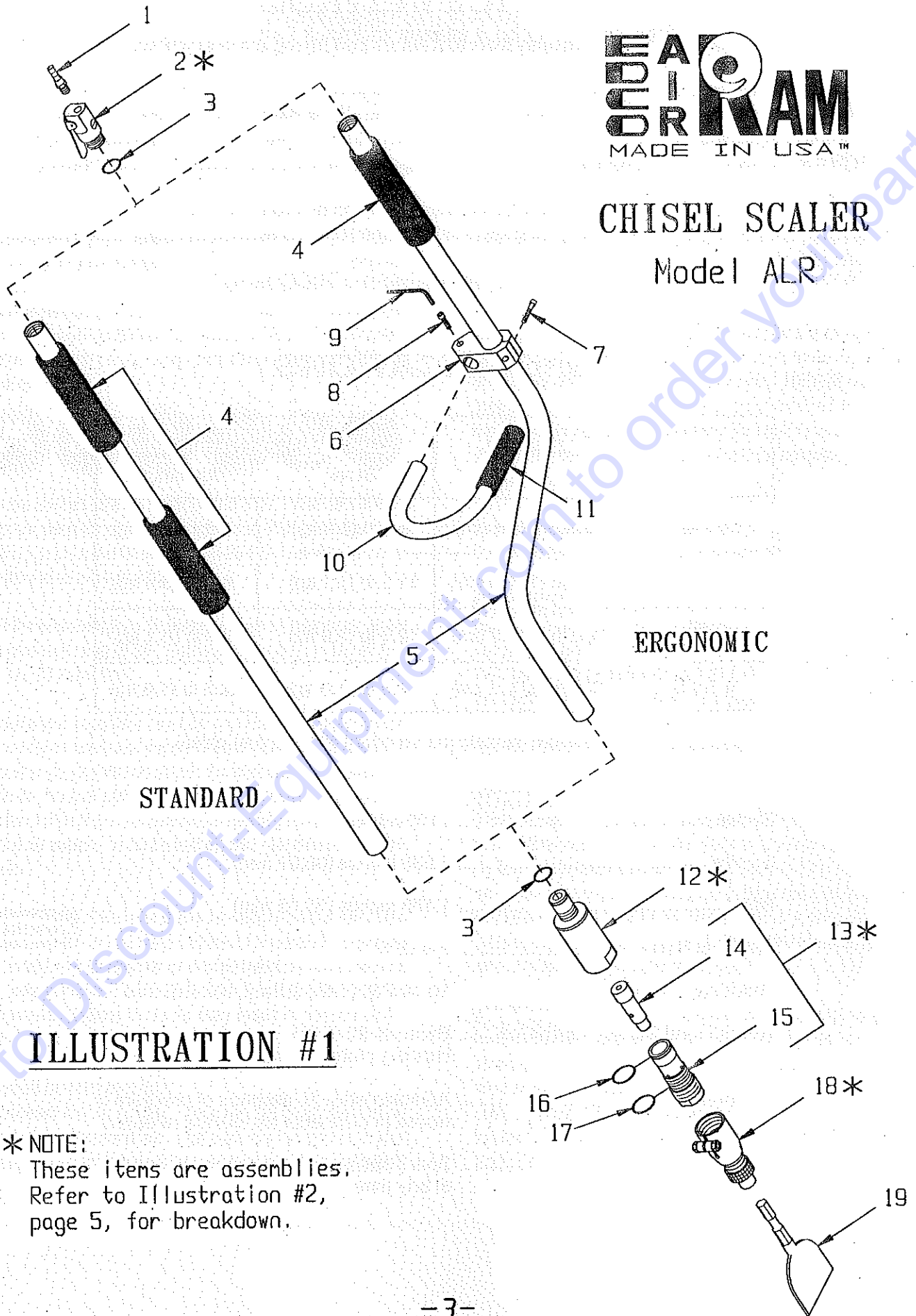
Noise Level During Operation Exceeds 92 dB(A)
Hearing protection must be worn

Caution Approximately 15 seconds of pressure is stored in case after air valve is released

Note Specifications are subject to change at any time.

**EAGLE
DISC
OR RAM**
MADE IN USA™

CHISEL SCALER
Model ALR



STANDARD

ERGONOMIC

ILLUSTRATION #1

*NOTE:
These items are assemblies.
Refer to Illustration #2,
page 5, for breakdown.

PARTS LISTING - ILLUSTRATION #1

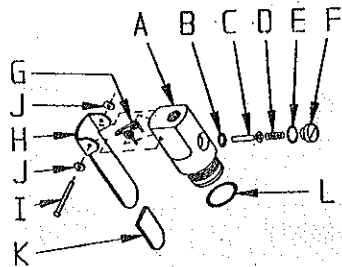
| Item # | Part # | Description | Qty. |
|--------|---------|--|--------|
| 1 | C10523 | Barb, Swivel 3/8Hose x 1/4MPT | 1 |
| 2 | C10570 | Valve Body Assembly (Refer to Illus. #2 for Breakdown) | 1 |
| *3 | C10536 | O-Ring 2 x 26mm | 2 |
| 4 | | Grip, Foam | |
| | C10531 | 1-1/4"ID x 8"L (Models ALR-4 & ALR-5) | 1 or 2 |
| | C10539 | 1-1/4"ID x 12"L (Model ALR-2 Only) | 1 |
| 5 | | Casing (Specify Style and Size) | 1 |
| | C10587 | Ergonomic Steel Model ALR-E5 | |
| | C10532 | Straight Steel 44-1/2" Model ALR-5 | |
| | C10532A | Straight Alum. 44-1/2" Model ALR-5-A | |
| | C10533 | Straight Steel 32-1/2" Model ALR-4 | |
| | C10533A | Straight Alum. 32-1/2" Model ALR-4-A | |
| | C10534 | Straight Steel 12" Model ALR-2 | |
| | C10534A | Straight Alum. 12" Model ALR-2-A | |
| 6 | C10586 | Clamp, Ergonomic Handle | 1 |
| 7 | 10856 | Screw, Skt. Hd. Cap 1/4-20 x 1-1/2 | 1 |
| 8 | 10869 | Screw, Skt. Hd. Cap 1/4-20 x 1 | 1 |
| 9 | 66045 | Wrench, Hex Key 3/16 in. | 1 |
| 10 | C10588 | Handle, U-Shaped | 1 |
| 11 | 61067 | Grip, Foam 7/8"ID x 5"L | 1 |
| 12 | | Cylinder Housing Assembly (Refer to Illus. #2 for Breakdown) | 1 |
| | C10535 | Steel Housing | |
| | C10535A | Alum. Housing | |
| 13 | C10590 | Piston & Cylinder Assembly (Includes Items 14 thru 17) | |
| 14 | C10583 | Piston | 1 |
| 15 | C10584 | Cylinder | 1 |
| *16 | C10511 | O-Ring 2 x 34mm | 1 |
| *17 | C10512 | O-Ring 2 x 37mm | 1 |
| 18 | C10514 | Chisel Holder Assy., 5/8" Hex Shank (Refer to Illus. 2 for Breakdown) | 1 |
| 19 | C10302 | LR-4 Chisel, 4" Steel - Standard (Other Accessories are Available) | 1 |

* Note:

To order KIT OF ALL O-RINGS (8 Total) use part # C10550.
This kit includes items #3, 16, & 17 from Illustration #1
and items 2-B, 2-E, 12-D, 12-E, & 12-F from Illustration #2.

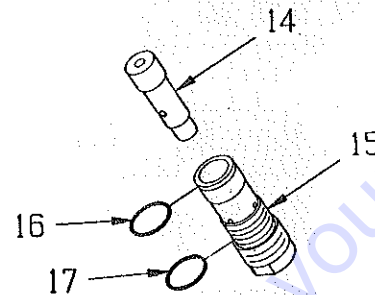
ILLUSTRATION #2

ITEM #2 C10570 VALVE BODY ASSEMBLY



| Item | Part # | Description | Qty. |
|------|--------|---------------------------------|------|
| 2-A | C10571 | Valve Body | 1 |
| 2-B | C10540 | O-Ring #109, 3/32 x 5/16" ID | 1 |
| 2-C | C10572 | Valve Stem | 1 |
| 2-D | C10542 | Spring, Valve Stem | 1 |
| 2-E | C10543 | O-Ring #013, 1/16 x 7/16" ID | 1 |
| 2-F | C10544 | Valve Stem Retainer | 1 |
| 2-G | C10585 | Spring, Double Torsion | 1 |
| 2-H | C10573 | Lever, Air Valve | 1 |
| 2-I | 11556 | Rivet, Oval Head 1/8 x 1-1/2 | 1 |
| 2-J | 11557 | Washer, Rivet 1/8" ID x 3/8" OD | 2 |
| 2-K | C10569 | Grip, Flat Red .125x.75x1.5" L | 1 |
| 2-L | C10536 | O-Ring 2 x 26mm | 1 |

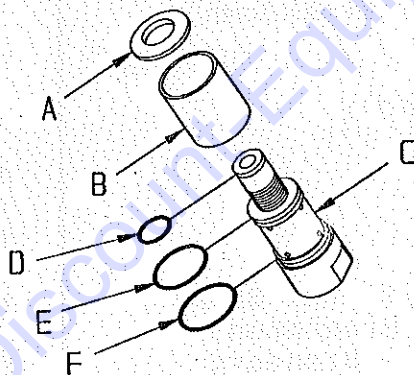
ITEM #13 C10590 PISTON & CYLINDER ASSEMBLY



NOTE:
These parts should be replaced together as an Assembly.

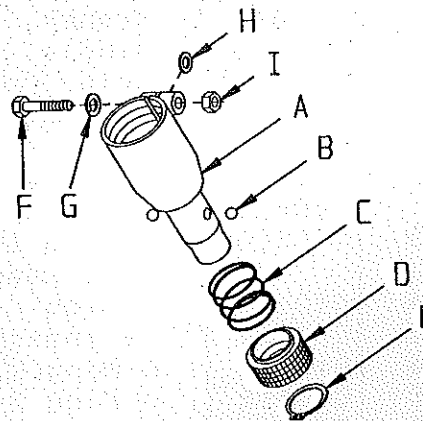
| Item | Part # | Description | Qty. |
|------|--------|-----------------|------|
| 14 | C10583 | Piston | 1 |
| 15 | C10584 | Cylinder | 1 |
| 16 | C10511 | O-Ring 2 x 34mm | 1 |
| 17 | C10512 | O-Ring 2 x 37mm | 1 |

ITEM #12 C10535 OR C10535A CYLINDER HOUSING ASSEMBLY



| Item | Part # | Description | Qty. |
|------|--------|----------------------------|------|
| 12-A | C10545 | Cylinder Housing Cap | 1 |
| 12-B | C10546 | Cylinder Housing Sleeve | 1 |
| 12-C | C10547 | Cylinder Housing Main Body | 1 |
| | | Steel Main Body | |
| | | Alum. Main Body | |
| 12-D | C10536 | O-Ring 2 x 26mm | 1 |
| 12-E | C10548 | O-Ring 2 x 46mm | 1 |
| 12-F | C10549 | O-Ring 2 x 48mm | 1 |

ITEM #18 C10514 CHISEL HOLDER ASSEMBLY



| Item | Part # | Description | Qty. |
|------|--------|------------------------------------|------|
| 18-A | C10578 | Chuck Body | 1 |
| 18-B | C10579 | Ball, 5/16" Chrome | 2 |
| 18-C | C10580 | Spring, Comp. 1.437" OD x 1.25" FL | 1 |
| 18-D | C10581 | Collar, Knurled Ball Locking | 1 |
| 18-E | C10582 | Retaining Ring, Ext. 1-1/8" | 1 |
| 18-F | 10342 | Screw, Cap 5/16-18 x 1-1/2 | 1 |
| 18-G | 10801 | Washer, Lock 5/16 | 1 |
| 18-H | | Washer, Flat S.S. | 1 |
| | 11558 | .328" ID x .562" OD x .025" THK | |
| | 11559 | .328" ID x .562" OD x .058" THK | |
| 18-I | 10807 | Nut, Lock 5/16-18 | 1 |

TO DISASSEMBLE THE EDCO AIR-RAM SCALER MODEL ALR:

NOTE: Items (#2), (#12) and (#18) can be replaced as assemblies.

NOTE: All threaded parts are standard right-hand threads.

1. Place Cylinder Housing (#12) in a vice and clamp on the flat ends.
2. To remove Chisel Holder Chuck (#18), loosen Lock Nut (#18-I) and Capscrew (#18-F) then unscrew the Chisel Holder from the Cylinder (#15).
3. Unscrew Cylinder (#15) from Cylinder Housing (#12). Cylinder (#15) contains the Piston (#14). Piston is removed by gently tapping on the small end and lifting Piston (#13) up and out of Cylinder (#15).
4. Cylinder Housing (#12) is not an operating part and rarely needs to be removed. If an air leak is detected, the "O" rings (#3) should be replaced.
5. Casing (#5) if damaged, may be unscrewed from the Cylinder Housing (#12) and Valve Assembly (#2). There are no moving parts in the Casing (#5).
6. To remove the Valve Assembly (#2) simply unthread from the upper end of the Casing (#5).
7. To replace Rubber Hand Grips (#4), remove Air Valve Assembly (#2), moisten grips with water and slide grips to a comfortable position on Casing (#5).

STEPS TO DISASSEMBLE THE AIR VALVE BODY ASSEMBLY (#2):

1. To remove Internal Valve Parts:
E – "O" Ring
D – Compression Spring
C – Valve Stem
B – "O" Ring

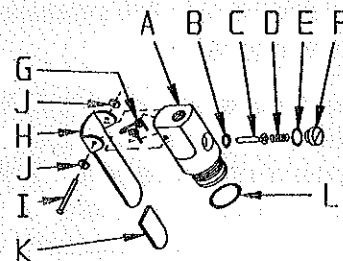
first remove the Capping Screw (F). Note that the Valve Stem (C) should be replaced if it is worn & loose in Valve Body (A).

2. The "O" Ring for the Valve Stem (B) may become unseated due to excess air pressure. Check this item if tool fails to stop running when valve handle is released.
3. The Valve Lever (H) is held in place by the Rivet (I) and two Washers (J).

The "O" Ring (L) must be in place on Valve Assembly (A) to prevent air leaks when assembly is threaded into Casing (#5).

NOTE: All "O" Rings should be inspected and replaced if air leakage or damage is detected.

NOTE: Be sure to lubricate all parts with a light machine oil when reassembling the tool.



PARTS FINDER

**Search Website
by Part Number**



**Search Manual
Library For Parts
Manual & Lookup Part
Numbers – Purchase
or Request Quote**

Search Manuals

Enter your information to help us find the right parts manual for your machine.

* Brand:

* Model:

* Serial:

* Part Number:

SEARCH

**Can't Find Part or
Manual? Request Help
by Manufacturer,
Model & Description**

Parts Order Form

Please fill in the following information to help us find the right part for your machine.

| | |
|---------------|----------------------|
| Manufacturer: | <input type="text"/> |
| Model: | <input type="text"/> |
| Description: | <input type="text"/> |
| Part Number: | <input type="text"/> |
| Quantity: | <input type="text"/> |
| Notes: | <input type="text"/> |

Submit

Discount-Equipment.com is your online resource for quality parts & equipment.

Florida: **561-964-4949** Outside Florida TOLL FREE: **877-690-3101**

Need parts?

Click on this link: <http://www.discount-equipment.com/category/5443-parts/> and choose one of the options to help get the right parts and equipment you are looking for. Please have the machine model and serial number available in order to help us get you the correct parts. If you don't find the part on the website or on one of the online manuals, please fill out the request form and one of our experienced staff members will get back to you with a quote for the right part that your machine needs.

We sell worldwide for the brands: Genie, Terex, JLG, MultiQuip, Mikasa, Essick, Whiteman, Mayco, Toro Stone, Diamond Products, Generac Magnum, Airman, Haulotte, Barreto, Power Blanket, Nifty Lift, Atlas Copco, Chicago Pneumatic, Allmand, Miller Curber, Skyjack, Lull, Skytrak, Tsurumi, Husquvarna Target, Stow, Wacker, Sakai, Mi-T-M, Sullair, Basic, Dynapac, MBW, Weber, Bartell, Bennar Newman, Haulotte, Ditch Runner, Menegotti, Morrison, Contec, Buddy, Crown, Edco, Wyco, Bomag, Laymor, EZ Trench, Bil-Jax, F.S. Curtis, Gehl Pavers, Heli, Honda, ICS/PowerGrit, IHI, Partner, Imer, Clipper, MMD, Koshin, Rice, CH&E, General Equipment, Amida, Coleman, NAC, Gradall, Square Shooter, Kent, Stanley, Tamco, Toku, Hatz, Kohler, Robin, Wisconsin, Northrock, Oztec, Toker TK, Rol-Air, APT, Wylie, Ingersoll Rand / Doosan, Innovatech, Con X, Ammann, Mecalac, Makinex, Smith Surface Prep, Small Line, Wanco, Yanmar