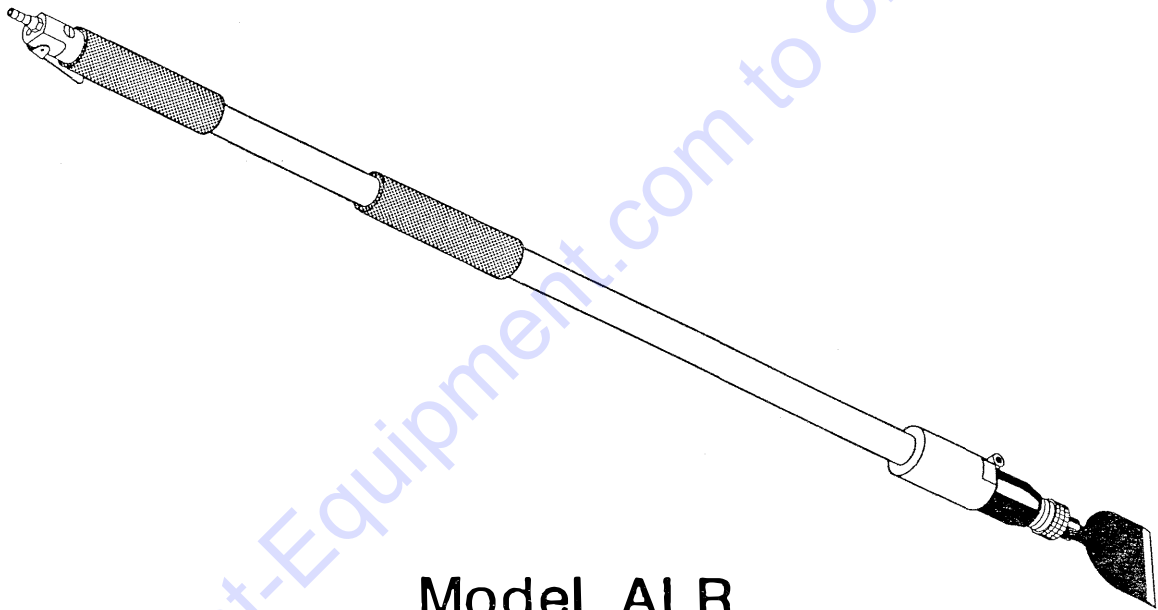


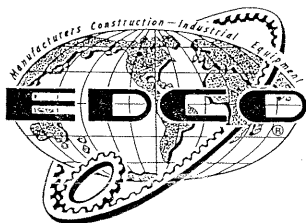


# LONG REACH SCALER

## INSTRUCTIONS AND PARTS MANUAL



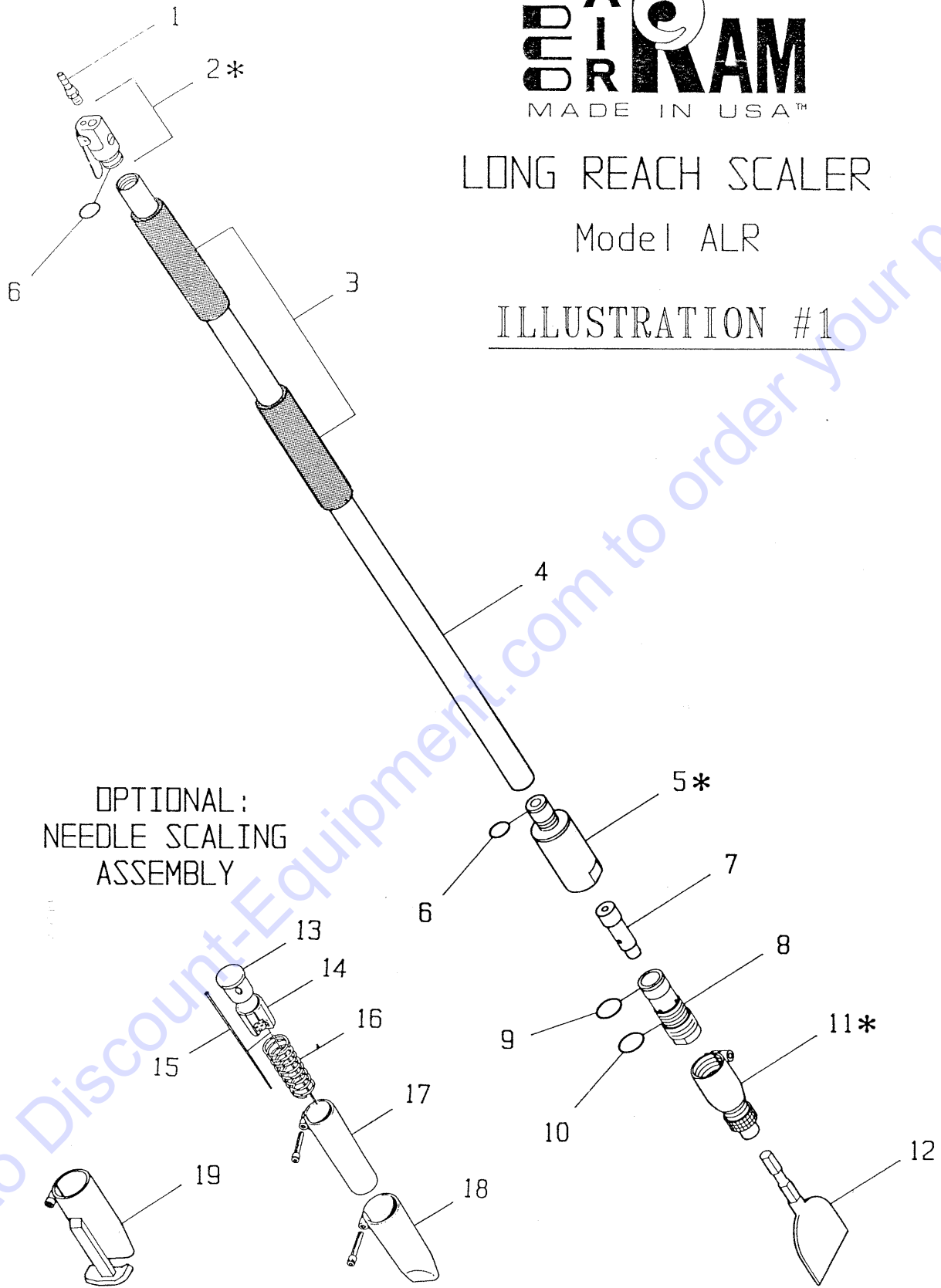
Model ALR



LONG REACH SCALER

Model ALR

ILLUSTRATION #1



\* NOTE:  
These items are assemblies. Refer to  
Illustration #2, page 3, for breakdown.

PARTS LISTING - ILLUSTRATION #1

Item #	Part #	Description	Qty.
1.	C10523	Barb, Swivel 3/8Hose x 1/4MPT	1
2.	C10570	Valve Body Assembly (See Illus. #2 for Breakdown)	1
3.	C10531	Grip, Foam 8"	2
4.		Casing (Specify Size)	1
	C10532	5 foot Model	
	C10533	4 foot Model	
	C10534	2 foot Model	
5.	C10535	Cylinder Housing Assembly (See Illus. #2 for Breakdown)	1
6.	C10536	O-Ring 26mm x 2mm (See Illus. #2, Items "G" & "N")	2
7.	C10583	Piston	1
8.	C10584	Cylinder	1
9.	C10511	O-Ring 34mm x 2mm	1
10.	C10512	O-Ring 37mm x 2mm	1
11.	C10514	Chisel Holder, 5/8" Hex Shank (See Illus. #2 for Breakdown)	1
12.	C10302	LR-4 Chisel, 4" Steel (Other Accessories Available)	1
	C10537	Allen Key 1/4 in. (Not Shown)	1

OPTIONAL - NEEDLE SCALING ASSEMBLY (Part #C10307)

13.	C10516	Anvil	1
14.	C10517	Needle Holder for 3mm Needle	1
15.		Needle 3mm x 7" (28 per set)	28
	C10597	AN-CP Chisel Tip (Standard)	
	C10596	AN-PT Pointed Tip (Optional)	
	C10595	AN-FL Flat Tip (Optional)	
16.	C10518	Spring, Compression	1
17.	C10519	Intermediate Tube, Round Front W/ Socket Head Screw	1
18.	C10520	Front Tube, Straight W/ Socket Head Screw	1
19.	C10537	Allen Key 1/4 in. (Not Shown)	1

OPTIONAL - FRONT TUBE WITH FOOT FOR CRACK CHASING

19.	C10538	Front Tube, Crack Chaser W/ Socket Head Screw	1
-----	--------	--	---

# PARTS FINDER

**Search Website  
by Part Number**



**Search Manual  
Library For Parts  
Manual & Lookup Part  
Numbers – Purchase  
or Request Quote**

**Search Manuals**

Enter your information to help us find the right parts manual for your machine.

\* Brand:

\* Model:

\* Serial:

\* Part Number:

SEARCH

**Can't Find Part or  
Manual? Request Help  
by Manufacturer,  
Model & Description**

**Parts Order Form**

Please fill in the following information to help us find the right part for your machine.

Manufacturer:	<input type="text"/>
Model:	<input type="text"/>
Description:	<input type="text"/>
Part Number:	<input type="text"/>
Quantity:	<input type="text"/>
Notes:	<input type="text"/>

Discount-Equipment.com is your online resource for quality parts & equipment.

Florida: **561-964-4949** Outside Florida TOLL FREE: **877-690-3101**

**Need parts?**

Click on this link: <http://www.discount-equipment.com/category/5443-parts/> and choose one of the options to help get the right parts and equipment you are looking for. Please have the machine model and serial number available in order to help us get you the correct parts. If you don't find the part on the website or on one of the online manuals, please fill out the request form and one of our experienced staff members will get back to you with a quote for the right part that your machine needs.

We sell worldwide for the brands: Genie, Terex, JLG, MultiQuip, Mikasa, Essick, Whiteman, Mayco, Toro Stone, Diamond Products, Generac Magnum, Airman, Haulotte, Barreto, Power Blanket, Nifty Lift, Atlas Copco, Chicago Pneumatic, Allmand, Miller Curber, Skyjack, Lull, Skytrak, Tsurumi, Husquvarna Target, Stow, Wacker, Sakai, Mi-T-M, Sullair, Basic, Dynapac, MBW, Weber, Bartell, Bennar Newman, Haulotte, Ditch Runner, Menegotti, Morrison, Contec, Buddy, Crown, Edco, Wyco, Bomag, Laymor, EZ Trench, Bil-Jax, F.S. Curtis, Gehl Pavers, Heli, Honda, ICS/PowerGrit, IHI, Partner, Imer, Clipper, MMD, Koshin, Rice, CH&E, General Equipment, Amida, Coleman, NAC, Gradall, Square Shooter, Kent, Stanley, Tamco, Toku, Hatz, Kohler, Robin, Wisconsin, Northrock, Oztec, Toker TK, Rol-Air, APT, Wylie, Ingersoll Rand / Doosan, Innovatech, Con X, Ammann, Mecalac, Makinex, Smith Surface Prep, Small Line, Wanco, Yanmar