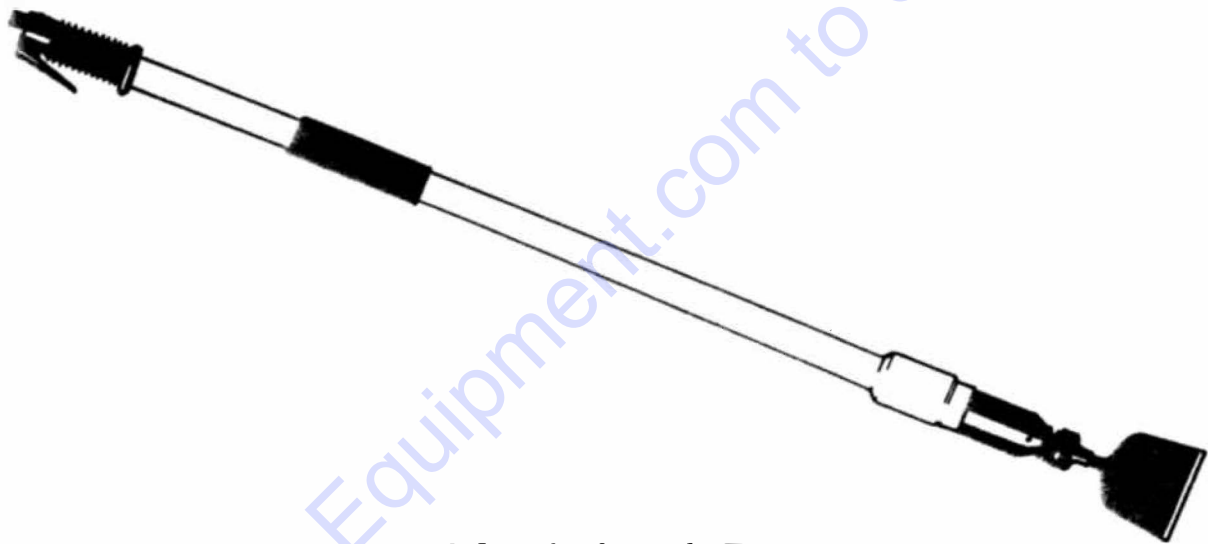


LONG REACH AIR SPADE

INSTRUCTIONS AND PARTS MANUAL



Model ALR



PARTS FINDER

**Search Website
by Part Number**



**Search Manual
Library For Parts
Manual & Lookup Part
Numbers – Purchase
or Request Quote**

Search Manuals

Enter your information to help us find the right parts manual for your equipment.

* Brand:

* Model:

* Serial:

* Part Number:

SEARCH

**Can't Find Part or
Manual? Request Help
by Manufacturer,
Model & Description**

Parts Order Form

Please fill in the following information to help us find the right parts for your equipment.

Manufacturer:	<input type="text"/>
Model:	<input type="text"/>
Description:	<input type="text"/>
Part Number:	<input type="text"/>
Quantity:	<input type="text"/>
Notes:	<input type="text"/>

Discount-Equipment.com is your online resource for quality parts & equipment.

Florida: **561-964-4949** Outside Florida TOLL FREE: **877-690-3101**

Need parts?

Click on this link: <http://www.discount-equipment.com/category/5443-parts/> and choose one of the options to help get the right parts and equipment you are looking for. Please have the machine model and serial number available in order to help us get you the correct parts. If you don't find the part on the website or on one of the online manuals, please fill out the request form and one of our experienced staff members will get back to you with a quote for the right part that your machine needs.

We sell worldwide for the brands: Genie, Terex, JLG, MultiQuip, Mikasa, Essick, Whiteman, Mayco, Toro Stone, Diamond Products, Generac Magnum, Airman, Haulotte, Barreto, Power Blanket, Nifty Lift, Atlas Copco, Chicago Pneumatic, Allmand, Miller Curber, Skyjack, Lull, Skytrak, Tsurumi, Husquvarna Target, Stow, Wacker, Sakai, Mi-T-M, Sullair, Basic, Dynapac, MBW, Weber, Bartell, Bennar Newman, Haulotte, Ditch Runner, Menegotti, Morrison, Contec, Buddy, Crown, Edco, Wyco, Bomag, Laymor, EZ Trench, Bil-Jax, F.S. Curtis, Gehl Pavers, Heli, Honda, ICS/PowerGrit, IHI, Partner, Imer, Clipper, MMD, Koshin, Rice, CH&E, General Equipment, Amida, Coleman, NAC, Gradall, Square Shooter, Kent, Stanley, Tamco, Toku, Hatz, Kohler, Robin, Wisconsin, Northrock, Oztec, Toker TK, Rol-Air, APT, Wylie, Ingersoll Rand / Doosan, Innovatech, Con X, Ammann, Mecalac, Makinex, Smith Surface Prep, Small Line, Wanco, Yanmar

OPERATION & MAINTENANCE INSTRUCTIONS

FOR EDCO LONG REACH AIR SPADE

1. Ensure air line is correct for the Tool - 90 p.s.i. (6.3 Bar). Do not let this working pressure fall below 80 p.s.i. or go above 100 p.s.i. Ensure that the Air Line Hose is in good condition and securely fitted to the Tool.
2. If possible try to limit the length of Air Line hose to 30 feet (10 meters). As a rough guide the pressure drop is approximately 3 p.s.i. per 90 feet (30 meters) of 3/8" (10mm) bore hose at 100 p.s.i.
3. Lubricate the Tool daily through the hose connector in the valve body using a light machine oil only. The use of a filter lubricator in the air line which will ensure constant moisture free lubrication of the Tool is recommended. Flush the Tool through with gasoline every 100 hours, or earlier, if the piston shows signs of sticking. Oil the Tool immediately after this operation. In freezing weather there is always a risk of "icing up" and to help prevent this the use of a graphite and oil mixture for lubrication is recommended.
4. To fit the Chisel, insert chisel shank into the mouth of the Chisel Holder and pull back Locking Collar until Chisel can be located fully into Holder. Release Collar which will then hold the Chisel captive. To remove Chisel, pull back Locking Collar until Chisel can be withdrawn.
5. Remember to let the Scaler do the work. Do not apply excessive pressure while operating as this will reduce the work capacity of the Scaler. If the Chisel becomes imbedded in the material being removed, do not apply leverage to remove it as this may fracture the Chisel Blade and damage the Tool. DO NOT USE ALR-5 LONG REACH AIR SPADE AS A PRY BAR!!
6. After operating, and on releasing the Trigger, the Chisel or Needles will still vibrate for up to 12 seconds. This is normal and is not as a result of the pressure within the tube escaping.
7. If routine maintenance is carried out, the Scaler will give trouble free operation. But in the event of a breakdown, return the Tool to your EDCO Distributor/Agent or to the factory.

To Disassemble Tool

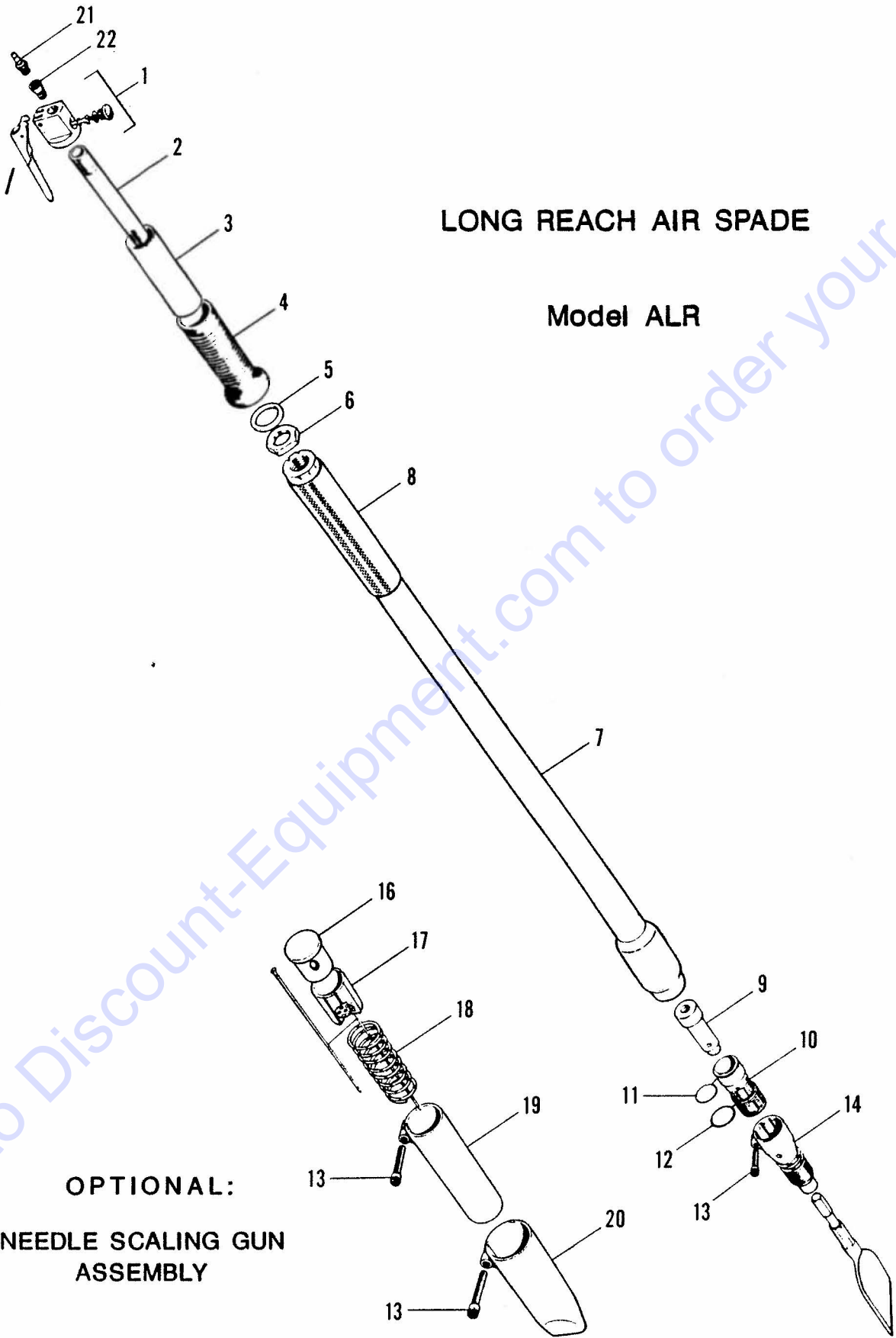
- (a) Clamp the tool firmly using the flat ends on each side of the casing.
- (b) Unscrew the Body from the casing by either (1) using the special extractor, or (2) grip the hardened square thread of the body with a wrench, ensuring that the thread is protected from damage.
- (c) Remove the body from the casing complete with "O" rings and piston.

To Reassemble Tool

- (a) Clean all parts and ensure that they are free from old grease and oil.
- (b) Inspect "O" Rings and Piston for signs of wear or abrasion and replace if necessary.
- (c) Lightly lubricate the piston and bore with a proprietary brand of air tool oil (if not available then use a spindle-grade oil which contains a rust inhibitor and insert Piston into Bore.
- (d) Screw the Body into the Casing as far as it will go and tighten.

Optional Needle Scaling Gun Assembly

To change the Tool from a Chisel Scaler to a Needle Scaler loosen Allen Screw (Part 13) on the Chisel Holder (Part 14) and unscrew the Chisel Holder from the Body (Part 10). Take Needle Holder (Part 17) and fit Needles. Drop Anvil (Part 16) into Needle Holder and place Return Spring (Part 18) over needles. Fit this assembly into the Intermediate Tube (Part 19) and screw Intermediate Tube onto Body and tighten Allen Screw. Fit the Front Tube over the Intermediate Tube until approximately 1" (2.54cms) of needles are exposed, then tighten Allen Screw on Front Tube to secure.



LONG REACH AIR SPADE

Model ALR

**OPTIONAL:
NEEDLE SCALING GUN
ASSEMBLY**

Go to Discount-Equipment.com to order your parts

LONG REACH AIR SPADE - PARTS LIST

<u>ITEM #</u>	<u>PART #</u>	<u>QTY</u>	<u>DESCRIPTION</u>
1.	C10501	1	Valve Body Assembly
2.	C10502	1	Center Tube
3.	C10503	1	Handle Tube
4.	C10504	1	Rubber Handle Grip
5.	C10505	1	Sealing Washer (Pack of 10)
6.	C10506	1	Locknut
7.		1	Casing Assembly
	C10507		5 foot
	C10522		4 foot
8.	C10508	1	Grip-Main Handle
9.	C10509	1	Piston
10.	C10510	1	Cylinder
11.	C10511	1	"O" Ring (Pack of 10)
12.	C10512	1	"O" Ring (Pack of 10)
13.	C10513	1	Cap Head Screw
14.	C10514	1	Chisel Holder, 5/8" Hex Shank
15.	C10515	1	Allen Key, 6mm Hex (Not Shown)
21.	C10523	1	Swivel Barb 3/8 Hose x 1/4 MIP
22.	C10524	1	Adapter 1/4 BSP x 1/4 NPT

OPTIONAL - Needle Scaling Gun Assembly Part #C10307

13.	C10513	2	Cap Head Screw
16.	C10516	1	Anvil
17.		1	Needle Holder for
	C10517		3mm Needle (Included)
	C10521		4mm Needle (Not Included)
18.	C10518	1	Spring, Compression
19.	C10519	1	Intermediate Tube, Round Front
20.	C10520	1	Front Tube, Straight

PARTS FINDER

**Search Website
by Part Number**



**Search Manual
Library For Parts
Manual & Lookup Part
Numbers – Purchase
or Request Quote**

Search Manuals

Enter your information to help us find the right parts manual for your machine.

* Brand:

* Model:

* Serial:

* Part Number:

SEARCH

**Can't Find Part or
Manual? Request Help
by Manufacturer,
Model & Description**

Parts Order Form

Please fill in the following information to help us find the right part for your machine.

Manufacturer:	<input type="text"/>
Model:	<input type="text"/>
Description:	<input type="text"/>
Part Number:	<input type="text"/>
Quantity:	<input type="text"/>
Notes:	<input type="text"/>

Submit

Discount-Equipment.com is your online resource for quality parts & equipment.

Florida: **561-964-4949** Outside Florida TOLL FREE: **877-690-3101**

Need parts?

Click on this link: <http://www.discount-equipment.com/category/5443-parts/> and choose one of the options to help get the right parts and equipment you are looking for. Please have the machine model and serial number available in order to help us get you the correct parts. If you don't find the part on the website or on one of the online manuals, please fill out the request form and one of our experienced staff members will get back to you with a quote for the right part that your machine needs.

We sell worldwide for the brands: Genie, Terex, JLG, MultiQuip, Mikasa, Essick, Whiteman, Mayco, Toro Stone, Diamond Products, Generac Magnum, Airman, Haulotte, Barreto, Power Blanket, Nifty Lift, Atlas Copco, Chicago Pneumatic, Allmand, Miller Curber, Skyjack, Lull, Skytrak, Tsurumi, Husquvarna Target, Stow, Wacker, Sakai, Mi-T-M, Sullair, Basic, Dynapac, MBW, Weber, Bartell, Bennar Newman, Haulotte, Ditch Runner, Menegotti, Morrison, Contec, Buddy, Crown, Edco, Wyco, Bomag, Laymor, EZ Trench, Bil-Jax, F.S. Curtis, Gehl Pavers, Heli, Honda, ICS/PowerGrit, IHI, Partner, Imer, Clipper, MMD, Koshin, Rice, CH&E, General Equipment, Amida, Coleman, NAC, Gradall, Square Shooter, Kent, Stanley, Tamco, Toku, Hatz, Kohler, Robin, Wisconsin, Northrock, Oztec, Toker TK, Rol-Air, APT, Wylie, Ingersoll Rand / Doosan, Innovatech, Con X, Ammann, Mecalac, Makinex, Smith Surface Prep, Small Line, Wanco, Yanmar