



REVISED STARTING
SERIAL # 33801

PARTS LIST MANUAL

MODEL ALR



ERGONOMIC
MODEL

STRAIGHT
MODELS

ALR CHISEL SCALERS

PART #	MODEL #	DESCRIPTION
C10342	ALR-E	5 FT. ERGONOMIC STEEL CHISEL SCALER
C10301	ALR-5	5 FT. STRAIGHT STEEL CHISEL SCALER
C10308	ALR-4	4 FT. STRAIGHT STEEL CHISEL SCALER
C10309	ALR-2	2 FT. STRAIGHT STEEL CHISEL SCALER
C10301A	ALR-5A	5 FT. STRAIGHT ALUMINUM CHISEL SCALER
C10308A	ALR-4A	4 FT. STRAIGHT ALUMINUM CHISEL SCALER
C10309A	ALR-2A	2 FT. STRAIGHT ALUMINUM CHISEL SCALER



A Division of Equipment Development Company, Inc.

PARTS FINDER

**Search Website
by Part Number**



**Search Manual
Library For Parts
Manual & Lookup Part
Numbers – Purchase
or Request Quote**

Search Manuals

Enter your information to help us find the right parts manual for your machine.

* Brand:

* Model:

* Serial:

* Part Number:

SEARCH

**Can't Find Part or
Manual? Request Help
by Manufacturer,
Model & Description**

Parts Order Form

Please fill in the following information to help us find the right part for your machine.

Manufacturer:	<input type="text"/>
Model:	<input type="text"/>
Description:	<input type="text"/>
Part Number:	<input type="text"/>
Quantity:	<input type="text"/>
Notes:	<input type="text"/>

Submit

Discount-Equipment.com is your online resource for quality parts & equipment.

Florida: **561-964-4949** Outside Florida TOLL FREE: **877-690-3101**

Need parts?

Click on this link: <http://www.discount-equipment.com/category/5443-parts/> and choose one of the options to help get the right parts and equipment you are looking for. Please have the machine model and serial number available in order to help us get you the correct parts. If you don't find the part on the website or on one of the online manuals, please fill out the request form and one of our experienced staff members will get back to you with a quote for the right part that your machine needs.

We sell worldwide for the brands: Genie, Terex, JLG, MultiQuip, Mikasa, Essick, Whiteman, Mayco, Toro Stone, Diamond Products, Generac Magnum, Airman, Haulotte, Barreto, Power Blanket, Nifty Lift, Atlas Copco, Chicago Pneumatic, Allmand, Miller Curber, Skyjack, Lull, Skytrak, Tsurumi, Husquvarna Target, Stow, Wacker, Sakai, Mi-T-M, Sullair, Basic, Dynapac, MBW, Weber, Bartell, Bennar Newman, Haulotte, Ditch Runner, Menegotti, Morrison, Contec, Buddy, Crown, Edco, Wyco, Bomag, Laymor, EZ Trench, Bil-Jax, F.S. Curtis, Gehl Pavers, Heli, Honda, ICS/PowerGrit, IHI, Partner, Imer, Clipper, MMD, Koshin, Rice, CH&E, General Equipment, Amida, Coleman, NAC, Gradall, Square Shooter, Kent, Stanley, Tamco, Toku, Hatz, Kohler, Robin, Wisconsin, Northrock, Oztec, Toker TK, Rol-Air, APT, Wylie, Ingersoll Rand / Doosan, Innovatech, Con X, Ammann, Mecalac, Makinex, Smith Surface Prep, Small Line, Wanco, Yanmar

**READ AND UNDERSTAND THE OPERATOR'S INSTRUCTION MANUAL *THOROUGHLY*
BEFORE ATTEMPTING TO OPERATE THIS EQUIPMENT.**



Death or serious injury could occur if this equipment is used improperly.



SAFETY MESSAGES

- Safety Instructions are preceded by a graphic alert symbol of DANGER, WARNING, or CAUTION.



Indicates an imminent hazard which, if not avoided, will result in death or serious injury.



Indicates an imminent hazard which, if not avoided, can result in death or serious injury.



Indicates hazards which, if not avoided, could result in serious injury and or damage to the equipment.

AIR POWERED EQUIPMENT



- When operating this equipment, the operator must wear approved job related safety attire. Eye and hearing protection must be worn at all times while equipment is in use as sound levels exceed 85 dBA. Steel toe safety shoes should be worn. Head protection is required if work is performed overhead. Wear proper dust mask based on material being removed.

- Use the correct size air hose for the tool, 1/2" diameter (minimum). Hose and fittings must be rated for safe handling in excess of 100 PSI pressure. The working pressure of this tool is 80-90 PSI and should never be allowed to exceed 100 PSI.

- ALR-E Limit the hose length to 30 feet (10 meters) maximum. Note: The pressure drop of 1/2" diameter hose is approximately 1 PSI per 90 linear feet.

- ALR-BS Limit the hose length to 30 feet (10 meters) maximum. Note: The pressure drop of 3/8" diameter hose is approximately 3 PSI per 90 linear feet.

- A filter/water separator must be provided on the air source to afford an adequate supply of clean, dry air to this tool. A lubricator should also be used. If a lubricator is unavailable, lubricate the tool daily by putting 6 to 7 drops of lightweight machine oil in the hose connector opening prior to connecting the air supply. In cold weather, use graphite oil for lubrication.



- Disconnect the air supply before removing or installing a chisel or accessory. Squeeze the hand lever to release all compressed air from the tool. Use only genuine EDCO chisels and accessories with this equipment. Failure to do so may result in serious bodily injury or death.

- Replace any damaged parts immediately. Use only genuine EDCO parts.

AIR POWERED EQUIPMENT CONTINUED

- To install or remove chisel: Disconnect the air supply. Squeeze the hand lever to release all compressed air. Pull back in the spring loaded locking collar and hold while removing the chisel. Hold back on the spring loaded locking collar while firmly seating the new chisel in the holder. Release collar to retain the chisel.

- The appropriate accessory must be used for the job at hand. Do **NOT** force the tool into the work. The hammering action of the tool will perform the work for you. **NEVER USE THE TOOL AS A PRY BAR.** Damage to the equipment will result. If the tool does not seem to perform the work to your specifications, try another accessory or contact Discount-equipment

- To activate tool, attach the air source, firmly grip the tool and then squeeze the hand lever on the air valve.

- **CAUTION** After releasing the air valve hand lever, the tool will continue to operate for up to 15 seconds. This is a normal result of stored up pressure in the tool casing being released gradually. **Be sure to firmly grip the tool until ALL air leaves the chamber.**

- Remove the air source from the tool when not in use.

- **WARNING** This equipment will create dust from the material being removed. That dust may contain a chemical known to the state of California to cause cancer and/or birth defects or other reproductive harm. Check the chemical properties of the materials to be removed.

- **CAUTION** It is the operator's responsibility to keep other people (workers, pedestrians, bystanders, etc.) away during operation. Block off the work area in all directions with roping, safety netting, etc. for a safe distance. Failure to do so may result in others being injured by flying debris or exposing them to harmful dust and noise.

DUST WARNING

Some dust created by power sanding, sawing, grinding, drilling, and other construction activities contains chemicals known to cause cancer, birth defects, or other reproductive harm. Some examples of these chemicals are:

- Lead from lead-based paints, and
- Crystalline silica from bricks, concrete and other masonry products.

Your risk of exposure to these chemicals varies depending on how often you do this type of work. To reduce your risk: work in a well ventilated area, use a dust control system, such as an industrial-style vacuum, and wear approved personal safety equipment, such as a dust/particle respirator designed to filter out microscopic particles.

PARTS LIST MANUAL

ALR CHISEL SCALER

TABLE OF CONTENTS

<u>Section</u>	<u>Pages</u>
Safety Messages & General Instructions	2
How To Order Replacement Parts	3
Illustration 1: ALR Assemblies	4, 5
Illustration 2: ALR Sub-Assemblies	6, 7
Limited Equipment Warranty of Sale - Terms & Conditions	8 (Back Page)

Go to Discount-Equipment.com to order your parts

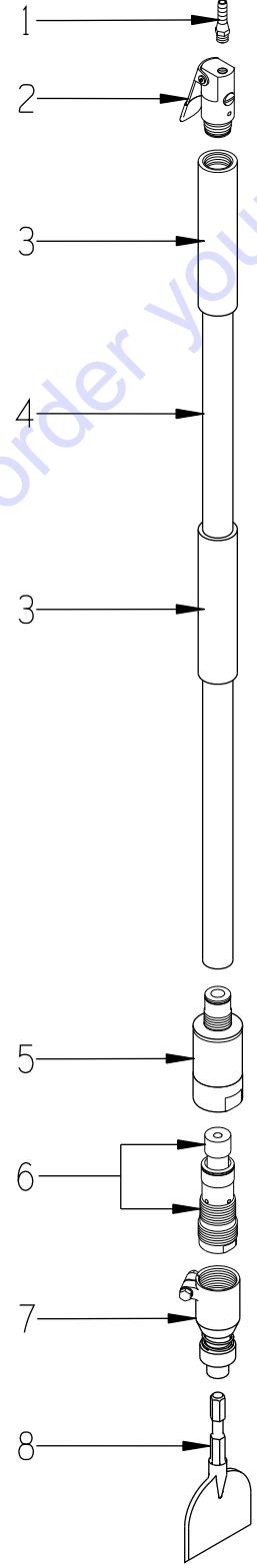
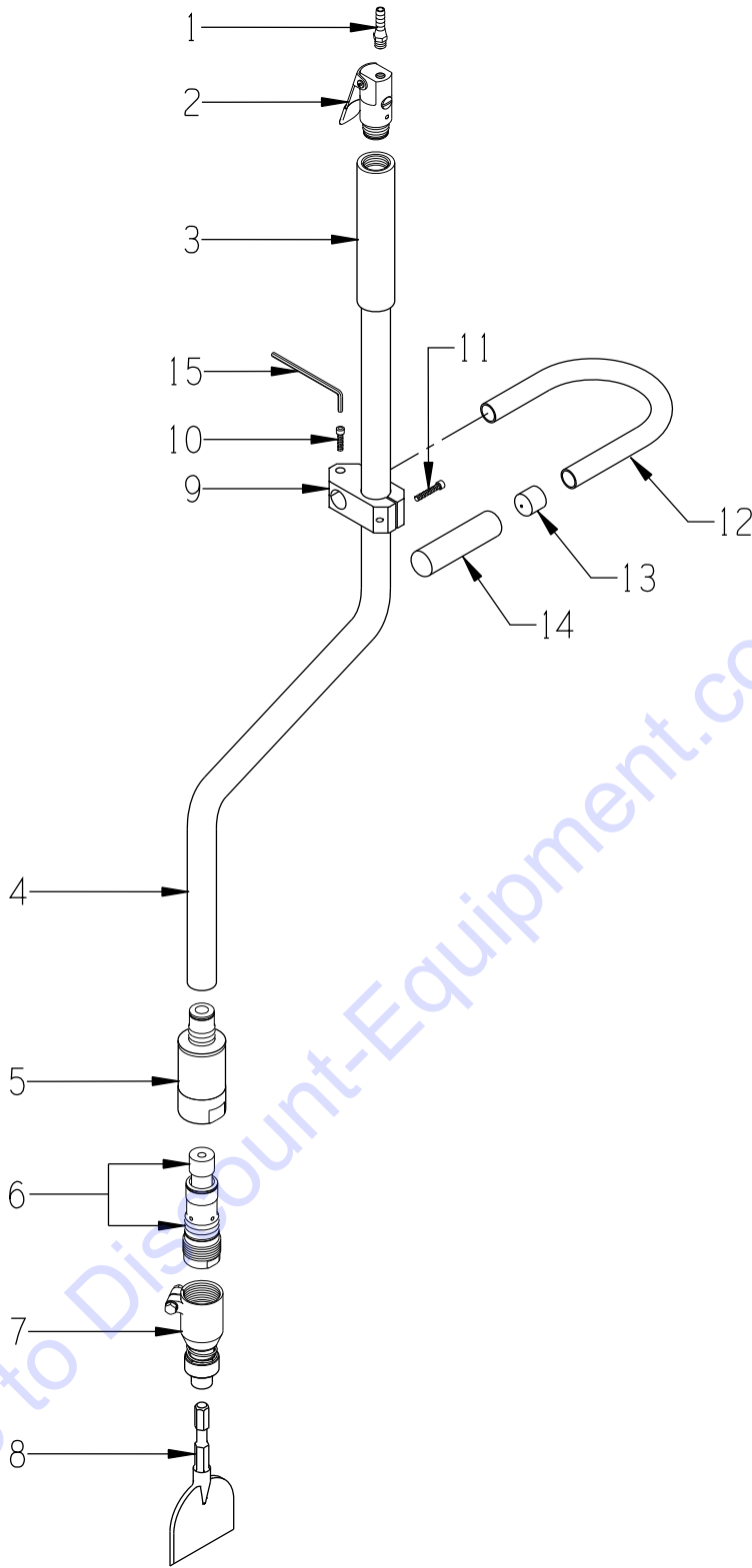


A Division of Equipment Development Company, Inc.

ILLUSTRATION 1: ALR ASSEMBLIES

ERGONOMIC MODEL

STRAIGHT MODEL



Go to Discount-Equipment.com to order your parts

PARTS LISTING - ILLUSTRATION 1: ALR ASSEMBLIES			
ITEM #	PART #	DESCRIPTION	QTY.
1*	C10523	BARB, SWIVEL 3/8HOSE X 1/4MPT	1
2**	C10570	VALVE BODY ASSEMBLY, ALR	1
3	C10531 C10539	GRIP, FOAM 1-1/4"ID X 8"L GRIP, FOAM 1-1/4"ID X 12"L (ALR-2 ONLY)	1 or 2 1
4	C10587 C10532 C10532A C10533 C10533A C10534 C10534A	CASING: ERGONOMIC STEEL, ALR-E STRAIGHT STEEL 44-1/2", ALR-5 STRAIGHT ALUM. 44-1/2", ALR-5A STRAIGHT STEEL 32-1/2", ALR-4 STRAIGHT ALUM. 32-1/2", ALR-4A STRAIGHT STEEL 12", ALR-2 STRAIGHT ALUM. 12", ALR-2A	1
5**	C10535 C10535A	CYLINDER HOUSING ASSY., STEEL , ALR CYLINDER HOUSING ASSY., ALUM., ALR	1 1
6**	C10590	PISTON & CYLINDER ASSEMBLY, ALR	1
7**	C10514	CHISEL HOLDER ASSY., 5/8"HEX SHANK	1
8	C10302	LR-4 CHISEL, 4" STEEL NOTE: SEE EDCO CATALOG & PRICE LIST FOR MORE ACCESSORIES.	1
9	C10586	CLAMP, ERGONOMIC HANDLE, ALR-E	1
10	10869	SCREW, SKT. HD. CAP 1/4-20 X 1	1
11	10856	SCREW, SKT. HD. CAP 1/4-20 X 1-1/2	1
12	C10588	HANDLE, U-SHAPED, ERGONOMIC	1
13	C10598	CAP, BLACK VINYL 1"ID X 1"H	1
14	61067	GRIP, FOAM 7/8"ID X 5"L	1
15*	66045	WRENCH, HEX L-KEY 3/16", LONG-ARM	1
* NOTE: THESE 2 ITEMS ARE SUPPLIED IN A SMALL HARDWARE BAG.			
** NOTE: SEE ILLUS. 2 FOR BREAKDOWN OF THESE SUB-ASSEMBLIES.			

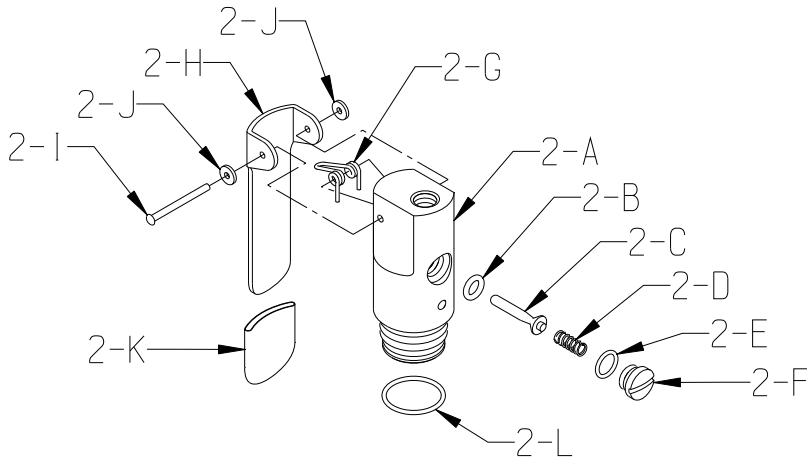
O-RING KIT FOR ALR - PART # C10550 (INCLUDES ALL O-RINGS)		
PART #	O-RING SIZE	QTY.
C10511	2 X 34MM	1
C10512	2 X 37MM	1
C10536	2 X 26MM	2
C10540	3/32 X 5/16"ID (#109)	1
C10543	1/16 X 7/16"ID (#013)	1
C10548	2 X 46MM	1
C10549	2 X 48MM	1



A Division of Equipment Development Company, Inc.

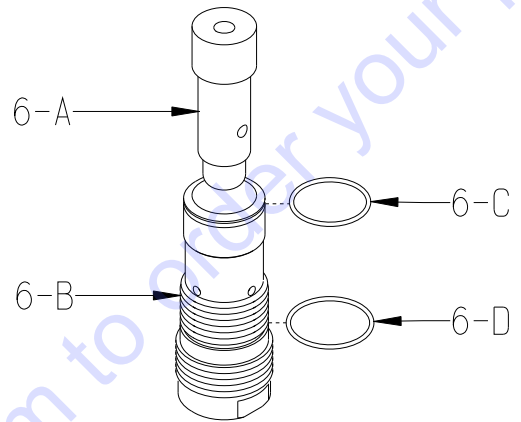
ILLUSTRATION 2: ALR SUB-ASSEMBLIES

**ITEM # 2 PART # C10570
VALVE BODY ASSEMBLY**

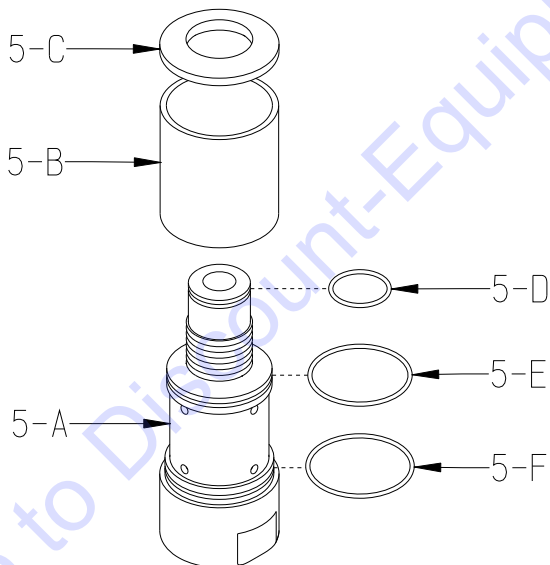


**ITEM # 6 PART # C10590
PISTON & CYLINDER ASSEMBLY**

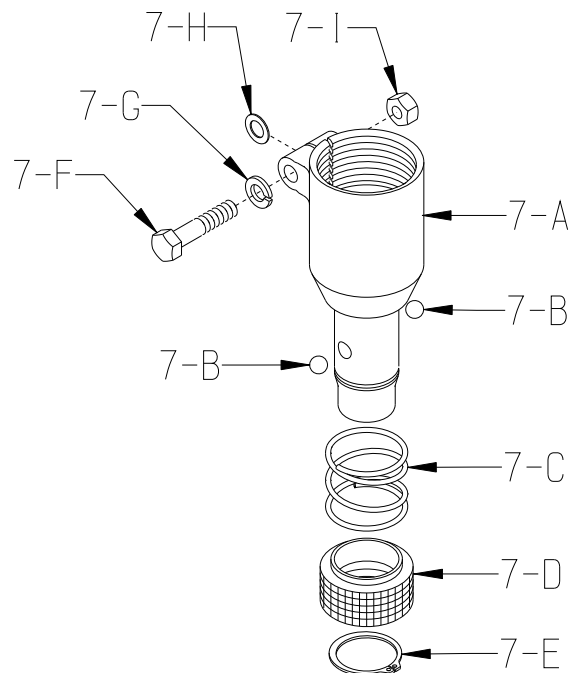
NOTE:
THESE PARTS SHOULD BE REPLACED
TOGETHER AS AN ASSEMBLY.



**ITEM # 5 PART # C10535 & C10535A
CYLINDER HOUSING ASSEMBLY**



**ITEM # 7 PART # C10514
CHISEL HOLDER ASSEMBLY**



PARTS LISTING - ILLUSTRATION 2: ALR SUB-ASSEMBLIES			
ITEM #	PART #	DESCRIPTION	QTY.
2	C10570	VALVE BODY ASSEMBLY, ALR	1
2-A	C10571	VALVE BODY, ALR	1
2-B	C10540	O-RING #109, 3/32 X 5/16"ID	1
2-C	C10572	VALVE STEM, ALR	1
2-D	C10542	SPRING, VALVE STEM, ALR	1
2-E	C10543	O-RING #013, 1/16 X 7/16"ID	1
2-F	C10544	RETAINER, VALVE STEM, ALR	1
2-G	C10585	SPRING, DOUBLE TORSION	1
2-H	C10573	LEVER, AIR VALVE 4"	1
2-I	11556	RIVET, SEMI-TUBULAR OVAL HEAD 1/8 X 1-1/2	1
2-J	11557	WASHER, RIVET 1/8 X 3/8 X 1/16THK	2
2-K	C10569	GRIP, FLAT RED .125 X .75 X 1.5"L	1
2-L	C10536	O-RING 2 X 26MM	1
5	C10535	CYLINDER HOUSING ASSY., STEEL , ALR	1
	C10535A	CYLINDER HOUSING ASSY., ALUM., ALR	1
5-A	C10547	CYLINDER HOUSING MAIN BODY, STEEL	1
	C10547A	CYLINDER HOUSING MAIN BODY, ALUM.	
5-B	C10546	CYLINDER HOUSING SLEEVE, ALR	1
5-C	C10545	CYLINDER HOUSING CAP, ALR	1
5-D	C10536	O-RING 2 X 26MM	1
5-E	C10548	O-RING 2 X 46MM	1
5-F	C10549	O-RING 2 X 48MM	1
6	C10590	PISTON & CYLINDER ASSEMBLY, ALR	1
6-A	C10583	PISTON (HAMMER), ALR	1
6-B	C10584	CYLINDER, ALR	1
6-C	C10511	O-RING 2 X 34MM	1
6-D	C10512	O-RING 2 X 37MM	1
7	C10514	CHISEL HOLDER ASSY., 5/8"HEX SHANK	1
7-A	C10578	CHUCK BODY, ALR	1
7-B	C10579	BALL, CHROME 5/16	2
7-C	C10580	SPRING, COMP. 1.437"OD X 1.25"FL	1
7-D	C10581	COLLAR, KNURLED, BALL LOCKING, ALR	1
7-E	C10582	RETAINING RING, EXT, 1-1/8"	1
7-F	10342	SCREW, CAP 5/16-18 X 1-1/2	1
7-G	10801	WASHER, LOCK 5/16 ZINC	1
7-H	11558	WASHER, FLAT SS .328 X .562 X .02	1
7-I	10807	NUT, HEX LOCK 5/16-18 ZINC	1

PARTS FINDER

**Search Website
by Part Number**



**Search Manual
Library For Parts
Manual & Lookup Part
Numbers – Purchase
or Request Quote**

Search Manuals

Enter your information to help us find the right parts manual for your machine.

* Brand:

* Model:

* Serial:

* Part Number:

SEARCH

**Can't Find Part or
Manual? Request Help
by Manufacturer,
Model & Description**

Parts Order Form

Please fill in the following information to help us find the right part for your machine.

Manufacturer:	<input type="text"/>
Model:	<input type="text"/>
Description:	<input type="text"/>
Part Number:	<input type="text"/>
Quantity:	<input type="text"/>
Notes:	<input type="text"/>

Discount-Equipment.com is your online resource for quality parts & equipment.

Florida: **561-964-4949** Outside Florida TOLL FREE: **877-690-3101**

Need parts?

Click on this link: <http://www.discount-equipment.com/category/5443-parts/> and choose one of the options to help get the right parts and equipment you are looking for. Please have the machine model and serial number available in order to help us get you the correct parts. If you don't find the part on the website or on one of the online manuals, please fill out the request form and one of our experienced staff members will get back to you with a quote for the right part that your machine needs.

We sell worldwide for the brands: Genie, Terex, JLG, MultiQuip, Mikasa, Essick, Whiteman, Mayco, Toro Stone, Diamond Products, Generac Magnum, Airman, Haulotte, Barreto, Power Blanket, Nifty Lift, Atlas Copco, Chicago Pneumatic, Allmand, Miller Curber, Skyjack, Lull, Skytrak, Tsurumi, Husquvarna Target, Stow, Wacker, Sakai, Mi-T-M, Sullair, Basic, Dynapac, MBW, Weber, Bartell, Bennar Newman, Haulotte, Ditch Runner, Menegotti, Morrison, Contec, Buddy, Crown, Edco, Wyco, Bomag, Laymor, EZ Trench, Bil-Jax, F.S. Curtis, Gehl Pavers, Heli, Honda, ICS/PowerGrit, IHI, Partner, Imer, Clipper, MMD, Koshin, Rice, CH&E, General Equipment, Amida, Coleman, NAC, Gradall, Square Shooter, Kent, Stanley, Tamco, Toku, Hatz, Kohler, Robin, Wisconsin, Northrock, Oztec, Toker TK, Rol-Air, APT, Wylie, Ingersoll Rand / Doosan, Innovatech, Con X, Ammann, Mecalac, Makinex, Smith Surface Prep, Small Line, Wanco, Yanmar