



REVISED STARTING  
SERIAL # 120510074

## PARTS LIST MANUAL

# VARIABLE SPEED ELECTRIC POWER TROWELS (SPECIFICALLY FOR EPOXY MORTARS)



SKU #	MODEL #	SIZE	RPM	MOTOR OPTION
C84400	T244VS-2L	24"	0 - 88	LEESON 2 HP
C84100	T304VS-2L	30"		
C84200	T364VS-2L	36"		



A Division of Equipment Development Company, Inc.

# PARTS FINDER

**Search Website  
by Part Number**



**Search Manual  
Library For Parts  
Manual & Lookup Part  
Numbers – Purchase  
or Request Quote**

**Search Manuals**

Enter your information to help us find the right parts manual for your equipment.

\* Brand:

\* Model:

\* Serial:

\* Part Number:

SEARCH

**Can't Find Part or  
Manual? Request Help  
by Manufacturer,  
Model & Description**

**Parts Order Form**

Please fill in the following information to help us find the right part for your equipment.

Manufacturer:	<input type="text"/>
Model:	<input type="text"/>
Description:	<input type="text"/>
Part Number:	<input type="text"/>
Quantity:	<input type="text"/>
Notes:	<input type="text"/>

Submit

Discount-Equipment.com is your online resource for quality parts & equipment.

Florida: **561-964-4949** Outside Florida TOLL FREE: **877-690-3101**

**Need parts?**

Click on this link: <http://www.discount-equipment.com/category/5443-parts/> and choose one of the options to help get the right parts and equipment you are looking for. Please have the machine model and serial number available in order to help us get you the correct parts. If you don't find the part on the website or on one of the online manuals, please fill out the request form and one of our experienced staff members will get back to you with a quote for the right part that your machine needs.

We sell worldwide for the brands: Genie, Terex, JLG, MultiQuip, Mikasa, Essick, Whiteman, Mayco, Toro Stone, Diamond Products, Generac Magnum, Airman, Haulotte, Barreto, Power Blanket, Nifty Lift, Atlas Copco, Chicago Pneumatic, Allmand, Miller Curber, Skyjack, Lull, Skytrak, Tsurumi, Husquvarna Target, Stow, Wacker, Sakai, Mi-T-M, Sullair, Basic, Dynapac, MBW, Weber, Bartell, Bennar Newman, Haulotte, Ditch Runner, Menegotti, Morrison, Contec, Buddy, Crown, Edco, Wyco, Bomag, Laymor, EZ Trench, Bil-Jax, F.S. Curtis, Gehl Pavers, Heli, Honda, ICS/PowerGrit, IHI, Partner, Imer, Clipper, MMD, Koshin, Rice, CH&E, General Equipment, Amida, Coleman, NAC, Gradall, Square Shooter, Kent, Stanley, Tamco, Toku, Hatz, Kohler, Robin, Wisconsin, Northrock, Oztec, Toker TK, Rol-Air, APT, Wylie, Ingersoll Rand / Doosan, Innovatech, Con X, Ammann, Mecalac, Makinex, Smith Surface Prep, Small Line, Wanco, Yanmar

## READ AND UNDERSTAND THE OPERATORS INSTRUCTION MANUAL *THOROUGHLY* BEFORE ATTEMPTING TO OPERATE THIS EQUIPMENT.



**Death or serious injury could occur if this machine is used improperly.**



### SAFETY MESSAGES

- Safety Instructions are preceded by a graphic alert symbol of DANGER, WARNING, or CAUTION.



Indicates an imminent hazard which, if not avoided, will result in death or serious injury.



Indicates an imminent hazard which, if not avoided, can result in death or serious injury.



Indicates hazards which, if not avoided, could result in serious injury and or damage to the equipment.

### GASOLINE/PROPANE POWERED EQUIPMENT



- Engine exhaust from this product contains chemicals known to the State of California to cause cancer, birth defects or other reproductive harm.



- Gasoline is extremely flammable and poisonous. It should only be dispensed in well ventilated areas, and with a cool engine.

- Small gasoline engines produce high concentrations of carbon monoxide (CO) example: a 5 HP 4 cycle engine operation in an enclosed 100,000 cu. ft. area with only one change of air per hour is capable of providing deadly concentrations of CO in less than fifteen minutes. Five changes of air in the same area will produce noxious fumes in less than 30 minutes. Gasoline or propane powered equipment should not be used in enclosed or partially enclosed areas. Symptoms of CO poisoning include, headache, nausea, weakness, dizziness, visual problems and loss of consciousness. If symptoms occur - get into fresh air and seek medical attention immediately.

### ELECTRICAL POWERED EQUIPMENT



Extreme care must be taken when operating electric models with water present: Ensure power cord is properly grounded, is attached to a Ground-Fault-Interrupter (GFI) outlet, and is undamaged.

- Check all electrical cables - be sure connections are tight and cable is continuous and in good condition. Be sure cable is correctly rated for both the operating current and voltage of this equipment.
- Improper connection of the equipment-grounding conductor can result in a risk of electric shock. Check with qualified electrician or service person if there is any doubt as to whether the outlet is properly grounded. Adhere to **all** local codes and ordinances.
- **NOTE:** In the event of a malfunction or breakdown, grounding provides a path of least resistance for the electric current to dissipate. The motor is equipped with a grounded plug and must be connected to an outlet that is properly installed and properly grounded. **DO NOT** modify the plug provided on the motor. If the plug does not fit the outlet have a qualified electrician install the proper receptacle.
- Switch motor OFF **before** disconnecting power.

- Do not disconnect power by pulling cord. To disconnect, grasp the plug, not the cord.
- Unplug power cord at the machine when not in use and before servicing.

### GENERAL INSTRUCTIONS

- Equipment should only be operated by trained personnel in good physical condition and mental health (not fatigued). The operator and maintenance personnel must be physically able to handle the bulk weight and power of this equipment.
- This is a one person tool. Maintain a safe operating distance to other personnel. It is the **operators' responsibility** to keep other people (workers, pedestrians, bystanders, etc.) away during operation. Block off the work area in all directions with roping, safety netting, etc. for a safe distance. Failure to do so may result in others being injured by flying debris or exposing them to harmful dust and noise.
- This equipment is intended for commercial use only.
- For the operator's safety and the safety of others, always keep all guards in place during operation.
- Never let equipment run unattended.



- Personal Protection Equipment and proper safety attire must be worn when operating this machinery. The operator must wear approved safety equipment appropriate for the job such as hard hat and safety shoes when conditions require. Hearing protection **MUST** be used (operational noise levels of this equipment may exceed 85db). Eye protection **MUST** be worn at all times.



- Keep body parts and loose clothing away from moving parts. Failure to do so could result in dismemberment or death.

- Do not modify the machine.
  - Stop motor/engine when adjusting or servicing this equipment.
- Maintain a safe operating distance from flammable materials. Sparks from the cutting-action of this machine can ignite flammable materials or vapors.

### DUST WARNING



Some dust created by power sanding, sawing, grinding, drilling, and other construction activities contains chemicals known to cause cancer, birth defects, or other reproductive harm. Some examples of these chemicals are:

- Lead from lead-based paints, and
- Crystalline silica from bricks and concrete and other masonry products.

Your risk of exposure to these chemicals varies depending on how often you do this type of work. To reduce your risk: work in a well ventilated area, use a dust control system, such as an industrial-style vacuum, and wear approved personal safety equipment, such as a dust/particle respirator designed to filter out microscopic particles.

# PARTS LIST MANUAL

## VARIABLE SPEED

### ELECTRIC POWER TROWELS

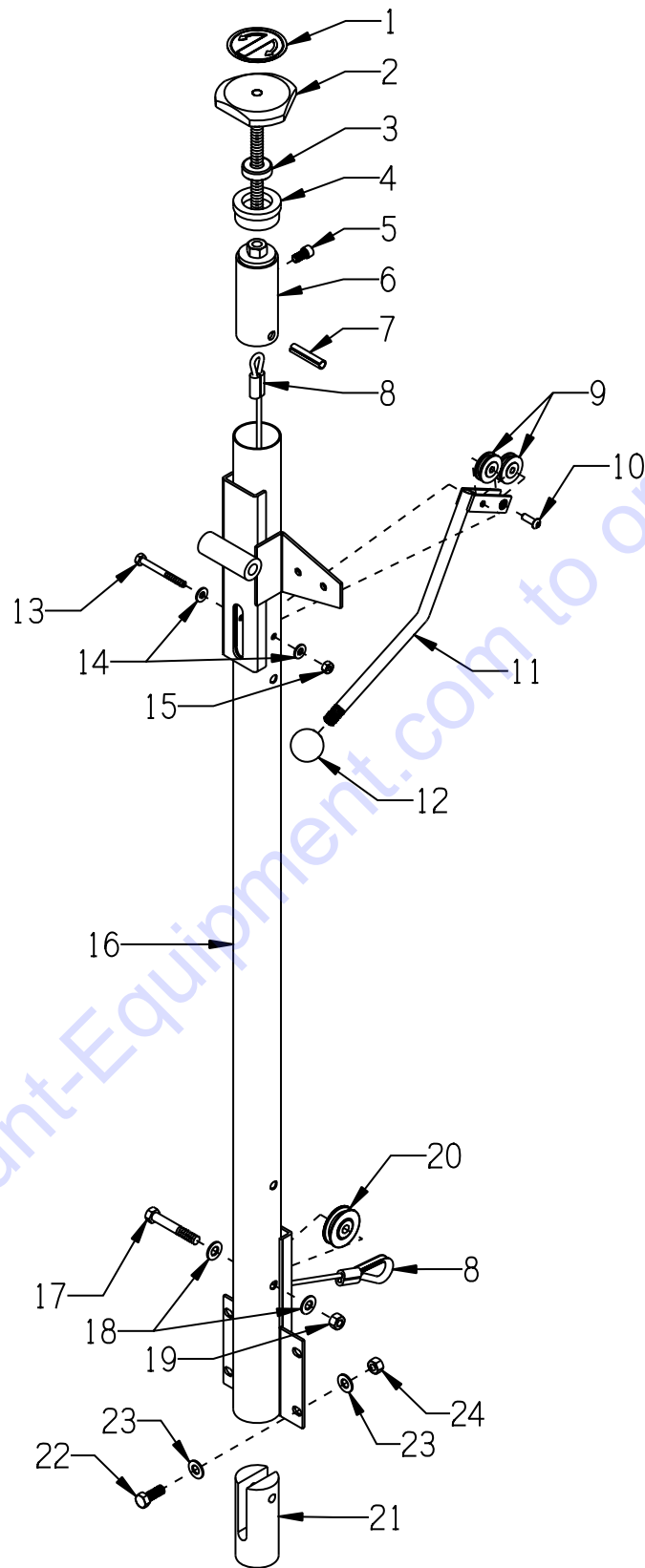
(SPECIFICALLY FOR EPOXY MORTARS)

#### TABLE OF CONTENTS

<u>Section</u>	<u>Page Number</u>
Safety Messages and General Instructions . . . . .	2
How To Order Replacement Parts . . . . .	3
Illustration 1: Handle Bar, Pitch Lever & Control Knob Grouping . . . . .	4, 5
Illustration 2: Handle Adjustable Belly Bar Grouping . . . . .	6
Illustration 3: Lift Handle Grouping . . . . .	7
Illustration 4: Frame , Transmission & Spider Grouping . . . . .	8, 9
Illustration 5: Spider Assembly . . . . .	10
Illustration 6: Bolt-On Blades & Adapter for 24" Trowel . . . . .	11
Illustration 7: Bolt-On Blades & Adapter for 30" Trowel . . . . .	12
Illustration 8: Bolt-On Blades & Adapter for 36" Trowel . . . . .	13
Illustration 9: Optional Quick Change Blades & Adapters . . . . .	14
Illustration 10: Optional "Tote-A-Trowel" . . . . .	15
Illustration 11: Belt Drive Grouping . . . . .	16, 17
Illustration 12: Motor Grouping . . . . .	18, 19
Illustration 13: Wiring Diagram . . . . .	20
Illustration 14: Motor Control Trimpot Calibration . . . . .	21
Blank Page . . . . .	22
Notes . . . . .	23
Limited Equipment Warranty of Sale - Terms & Conditions . . . . .	24 (Back Page)



ILLUSTRATION 1: HANDLE BAR, PITCH LEVER & CONTROL KNOB GROUPING



**PARTS LISTING - ILLUSTRATION 1:  
HANDLE BAR, PITCH LEVER & CONTROL KNOB GROUPING**

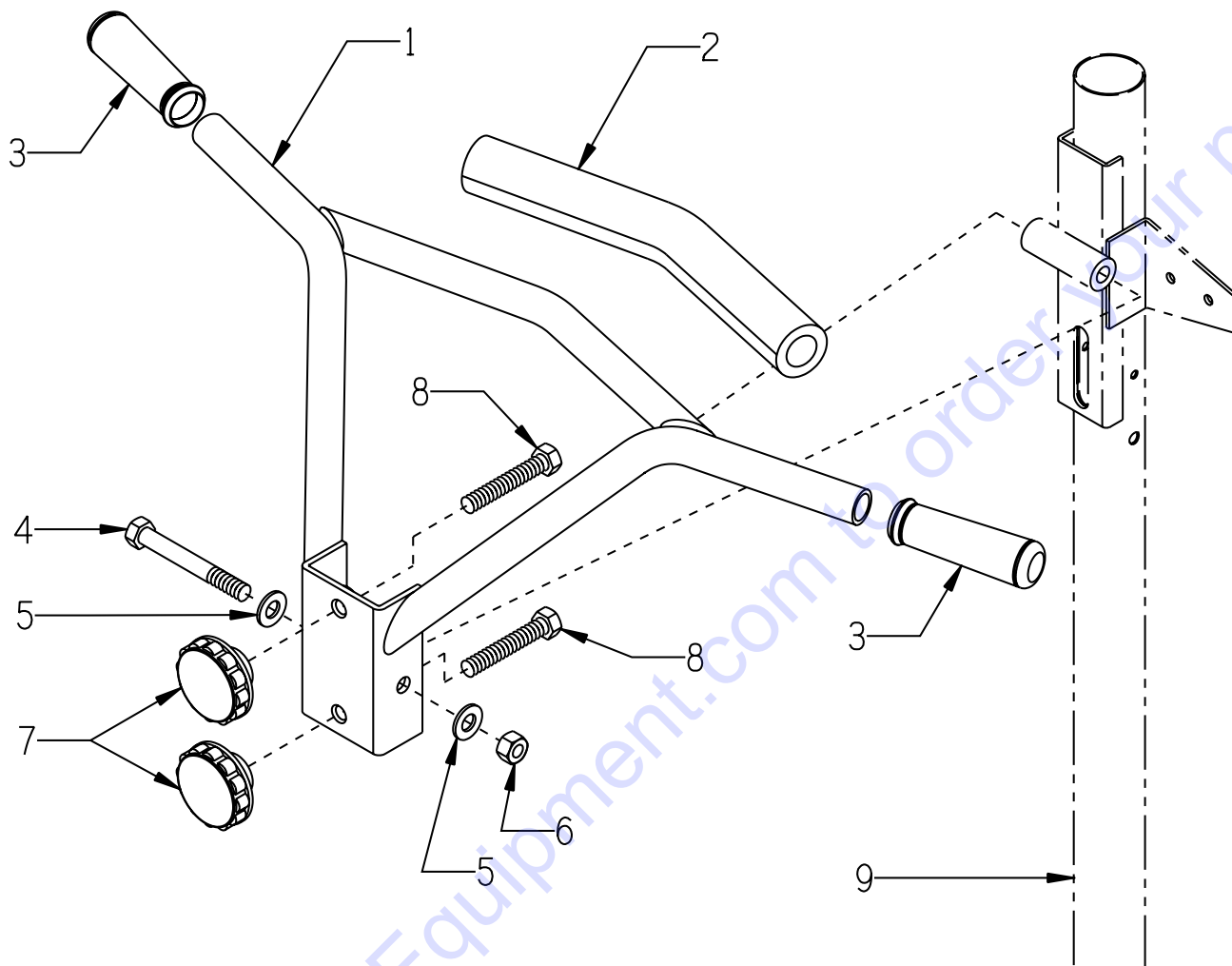
ITEM #	PART #	DESCRIPTION	QTY.
1	3661	DECAL, BLADE ANGLE - FLAT/TILT	1
2	49014	KNOB, CONTROL W/ 1/2-13 X 6-3/4"ROD	1
3	3642	BEARING, THRUST BALL 1/2	1
4	36078	HANDLE TOP INSERT	1
5	11639	SCREW, SKT. HD. CAP 5/16-18 X 5/8	1
6	36080	LINKAGE	1
7	11728	PIN, ROLL 3/8 X 1-3/4	1
8	36082	CABLE, CONTROL 3/16 X 51"L	1
	4610	CABLE, THIMBLE 3/16"	1
	3618	SLEEVE, 3/16" CABLE OVAL NICOPRESS	2
9	14082	PULLEY BEARING 1-1/4DIA. X 1/4BORE	2
10	10884	SCREW, SKT. BUTTON HD. 1/4-20 X 3/4	1
11	36081	LEVER, PITCH	1
12	14023	KNOB, BALL 1-3/8 W/ 1/2-13THD, BLK.	1
13	10001	SCREW, CAP 1/4-20 X 2-1/2	1
14	10602	WASHER, FLAT 1/4 SAE ZINC	2
15	10150	NUT, HEX NYLON LOCK 1/4-20	1
16	36070	HANDLE BAR	1
17	10393	SCREW, CAP 3/8-24 X 2-1/2	1
18	10025	WASHER, FLAT 3/8 SAE ZINC	2
19	10058	NUT, LOCK 3/8-24 W/ NYLON PATCH	1
20	3621	PULLEY BEARING 1-3/4DIA. X 3/8BORE	1
21	36077	ROLLER GUIDE	1
22	10021	SCREW, CAP 3/8-24 X 1	4
23	10025	WASHER, FLAT 3/8 SAE ZINC	4
24	10004	NUT, HEX LOCK 3/8-24 ZINC	4



A Division of Equipment Development Company, Inc.

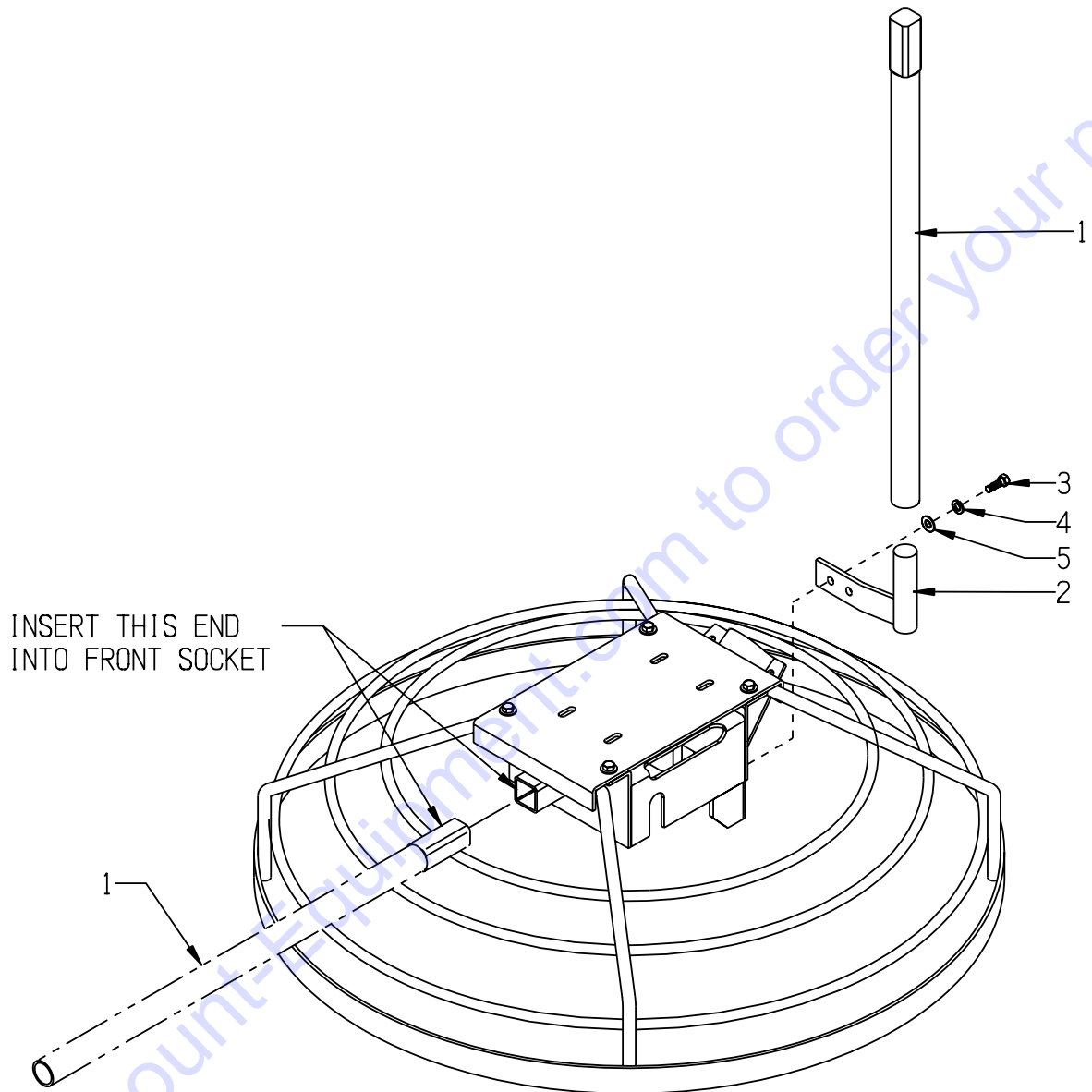


## ILLUSTRATION 2: ADJUSTABLE HANDLE BELLY BAR GROUPING



ITEM #	PART #	DESCRIPTION	QTY.
1	36071	HANDLE BELLY BAR, ADJUSTABLE	1
2	36083	PADDING, BELLY BAR	1
3	10608	GRIP, HAND 1" MODEL AT	2
4	81001	SCREW, CAP 1/2-13 X 4	1
5	10312	WASHER, FLAT 1/2 SAE ZINC	2
6	10155	NUT, HEX NYLON LOCK 1/2-13	1
7	36063	KNOB, FLUTED 1/2-13 X 2-1/2" DIA.	2
8	10340	BOLT, TAP 1/2-13 X 3 (FULL THREAD)	2
9	36070	HANDLE BAR (REF. TO ILLUS. 1, ITEM 16)	1

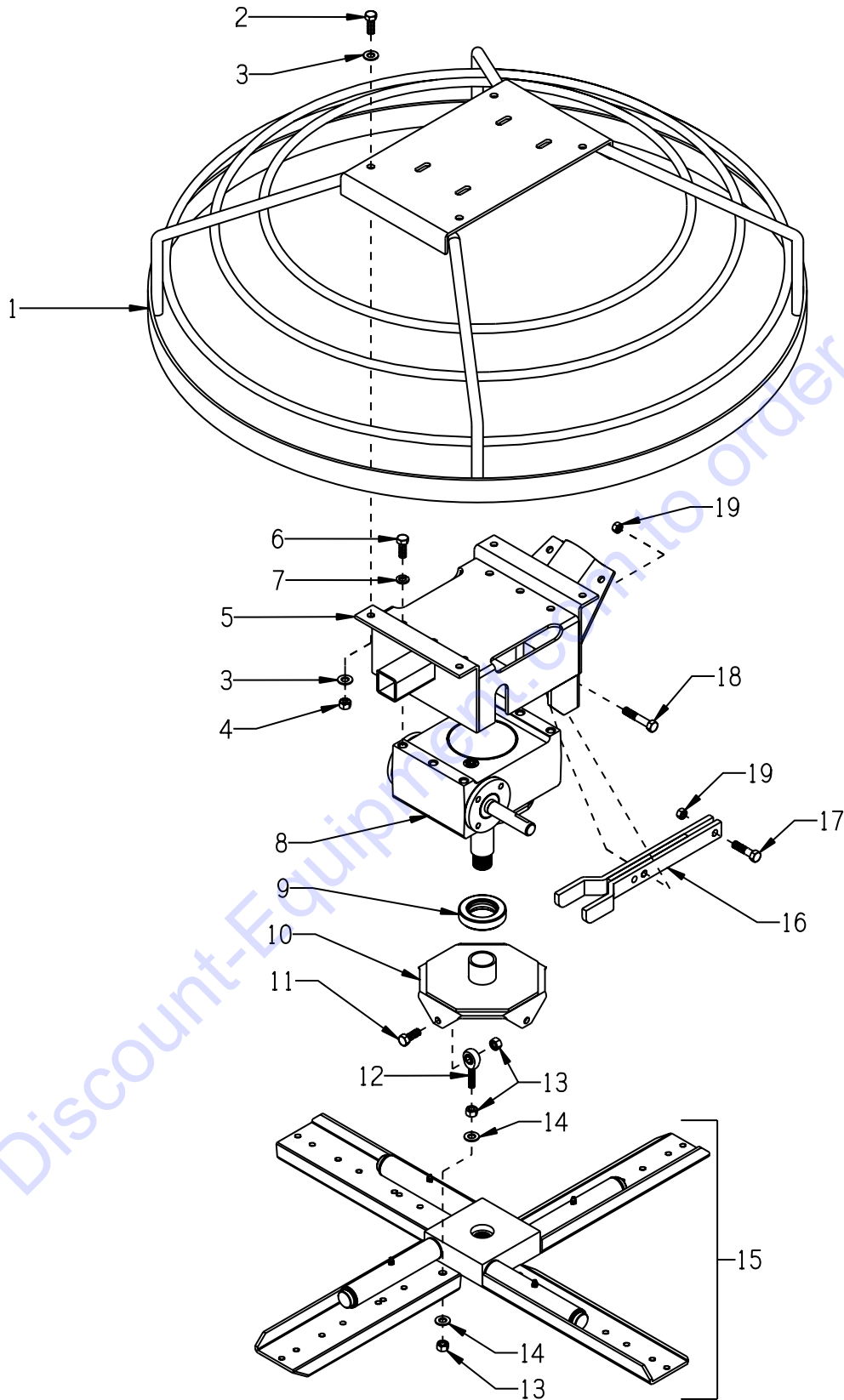
## ILLUSTRATION 3: LIFT HANDLE GROUPING



ITEM #	PART #	DESCRIPTION	QTY.
1	36091	HANDLE, LIFT	1
2	36092	HOLDER, LIFT HANDLE	1
3	10021	SCREW, CAP 3/8-24 X 1	2
4	10811	WASHER, LOCK 3/8 ZINC	2
5	10025	WASHER, FLAT 3/8 SAE ZINC	2



ILLUSTRATION 4: FRAME, TRANSMISSION & SPIDER GROUPING

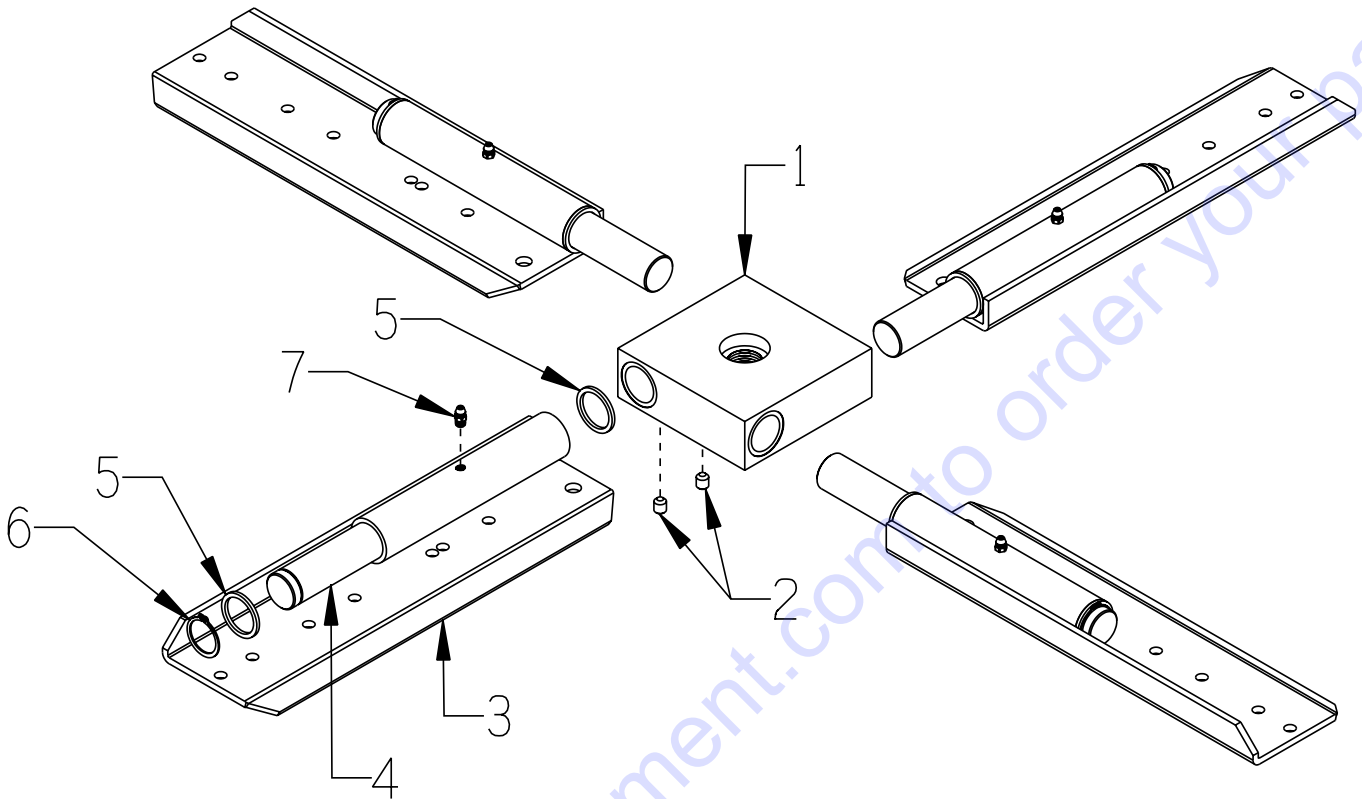


PARTS LISTING - ILLUSTRATION 4: FRAME, TRANSMISSION & SPIDER GROUPING			
ITEM #	PART #	DESCRIPTION	QTY.
1	36065 36066 36067	FRAME & GUARD RING 24" TROWEL 30" TROWEL 36" TROWEL	1
2	11729	BOLT, TAP 3/8-24 X 1-3/4 FULL THD.	4
3	10025	WASHER, FLAT 3/8 SAE ZINC	8
4	10004	NUT, HEX LOCK 3/8-24 ZINC	4
5	36069	MOUNT, TRANSMISSION	1
6	10055	SCREW, CAP 3/8-16 X 1	6
7	10025	WASHER, FLAT 3/8 SAE ZINC	6
8	3664	TRANSMISSION 20:1 RATIO	1
9	3609	BEARING, THRUST BALL 1-1/2"ID X 2-19/32"OD X 5/8"THK	1
10	3626	PLATE, PITCH ADJUSTMENT 24, 30, & 36" TROWELS	1
11	10021	SCREW, CAP 3/8-24 X 1	4
12	3605	ROD END, MALE 3/8-24	4
13	10004	NUT, HEX LOCK 3/8-24 ZINC	12
14	10025	WASHER, FLAT 3/8 SAE ZINC	8
15	36084 36085 36086	SPIDER ASSEMBLY (REFER TO ILLUS. 5) 24" TROWEL (8-1/2" ARMS) 30" TROWEL (12" ARMS) 36" TROWEL (13" ARMS)	1
16	3625	FORK	1
17	10816	SCREW, CAP 3/8-24 X 1-1/2	1
18	10030	SCREW, CAP 3/8-24 X 2	1
19	10004	NUT, HEX LOCK 3/8-24 ZINC	2



A Division of Equipment Development Company, Inc.

## ILLUSTRATION 5: SPIDER ASSEMBLY



ITEM #	PART #	DESCRIPTION	QTY.
1	3637	HUB, 4 BLADE TROWEL	1
2	10052	SCREW, SET 5/16-18 X 3/8	8
3	2402 3666 36007	ARM, BLADE 8-1/2" ARM, 24" TROWEL ,BOLT-ON BLADES 12" ARM, 30" TROWEL, BOLT-ON OR QUICK-CHANGE 13" ARM, 36" TROWEL, BOLT-ON OR QUICK-CHANGE	4
4	3635	SHAFT, BLADE ARM 9-11/16"L	4
5	3629	SPACER, ALUM. 1.25 X 1.017 X .090	4
6	10906	RETAINING RING, EXT. 1"	4
7	10808	FITTING, GREASE 1/4-28 STRAIGHT	4

# PARTS FINDER

**Search Website  
by Part Number**



**Search Manual  
Library For Parts  
Manual & Lookup Part  
Numbers – Purchase  
or Request Quote**

**Search Manuals**

Enter your information to help us find the right parts manual for your machine.

\* Brand:

\* Model:

\* Serial:

\* Part Number:

SEARCH

**Can't Find Part or  
Manual? Request Help  
by Manufacturer,  
Model & Description**

**Parts Order Form**

Please fill in the following information to help us find the right part for your machine.

Manufacturer:	<input type="text"/>
Model:	<input type="text"/>
Description:	<input type="text"/>
Part Number:	<input type="text"/>
Quantity:	<input type="text"/>
Notes:	<input type="text"/>

Submit

Discount-Equipment.com is your online resource for quality parts & equipment.

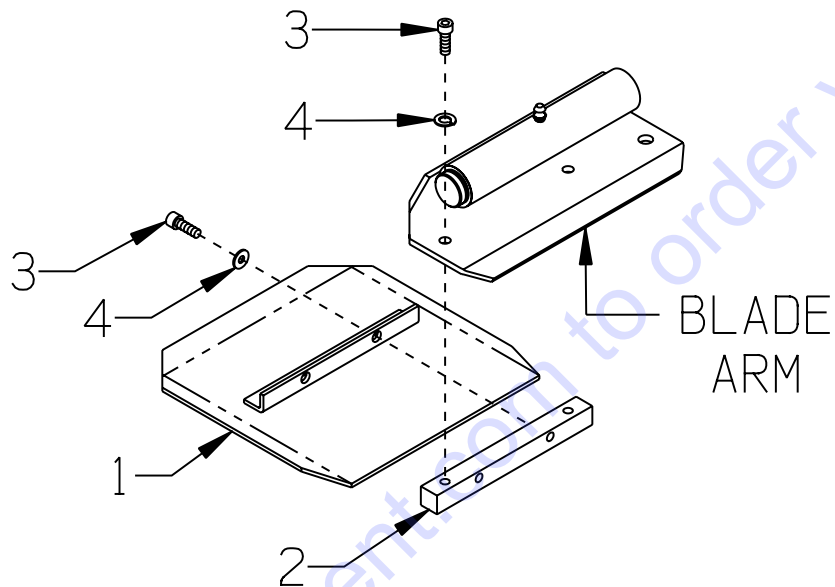
Florida: **561-964-4949** Outside Florida TOLL FREE: **877-690-3101**

**Need parts?**

Click on this link: <http://www.discount-equipment.com/category/5443-parts/> and choose one of the options to help get the right parts and equipment you are looking for. Please have the machine model and serial number available in order to help us get you the correct parts. If you don't find the part on the website or on one of the online manuals, please fill out the request form and one of our experienced staff members will get back to you with a quote for the right part that your machine needs.

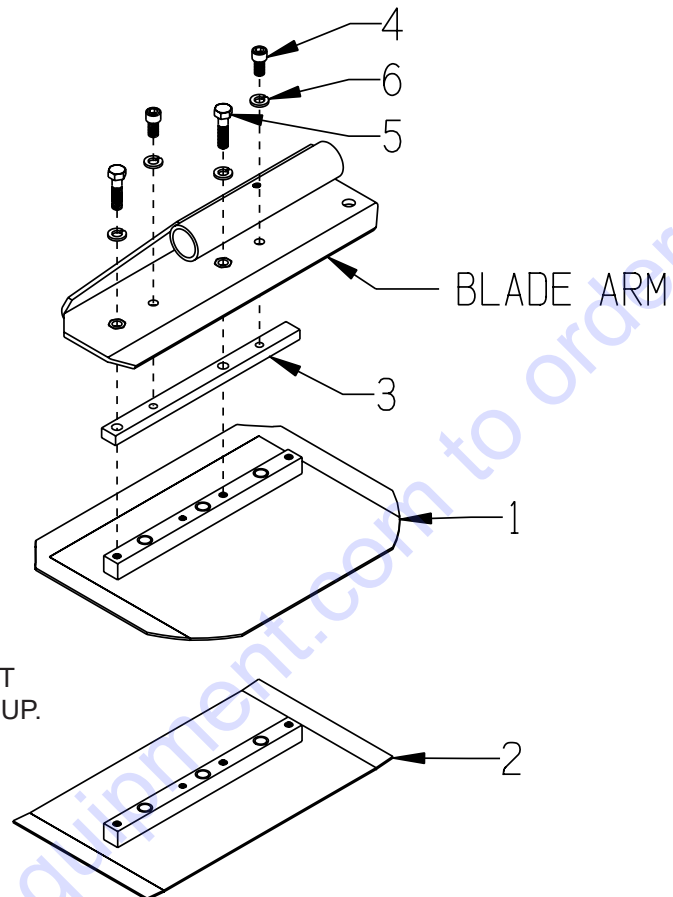
We sell worldwide for the brands: Genie, Terex, JLG, MultiQuip, Mikasa, Essick, Whiteman, Mayco, Toro Stone, Diamond Products, Generac Magnum, Airman, Haulotte, Barreto, Power Blanket, Nifty Lift, Atlas Copco, Chicago Pneumatic, Allmand, Miller Curber, Skyjack, Lull, Skytrak, Tsurumi, Husquvarna Target, Stow, Wacker, Sakai, Mi-T-M, Sullair, Basic, Dynapac, MBW, Weber, Bartell, Bennar Newman, Haulotte, Ditch Runner, Menegotti, Morrison, Contec, Buddy, Crown, Edco, Wyco, Bomag, Laymor, EZ Trench, Bil-Jax, F.S. Curtis, Gehl Pavers, Heli, Honda, ICS/PowerGrit, IHI, Partner, Imer, Clipper, MMD, Koshin, Rice, CH&E, General Equipment, Amida, Coleman, NAC, Gradall, Square Shooter, Kent, Stanley, Tamco, Toku, Hatz, Kohler, Robin, Wisconsin, Northrock, Oztec, Toker TK, Rol-Air, APT, Wylie, Ingersoll Rand / Doosan, Innovatech, Con X, Ammann, Mecalac, Makinex, Smith Surface Prep, Small Line, Wanco, Yanmar

ILLUSTRATION 6:  
BOLT-ON BLADES & ADAPTER  
FOR 24" TROWEL



ITEM #	PART #	DESCRIPTION	QTY.
1	40470 40480 40490	BLADE C-4 COMBINATION TROWEL BLADE 8 X 8 (SHOWN) F-4 FINISH TROWEL BLADE 6 X 8 M-4 FLOAT TROWEL BLADE 9 X 8	4
2	2406	BAR, BLADE MOUNTING 5/8"SQ. X 6"	4
3	11639	SCREW, SKT. HD. CAP 5/16-18 X 5/8	16
4	10801	WASHER, LOCK 5/16 ZINC	16

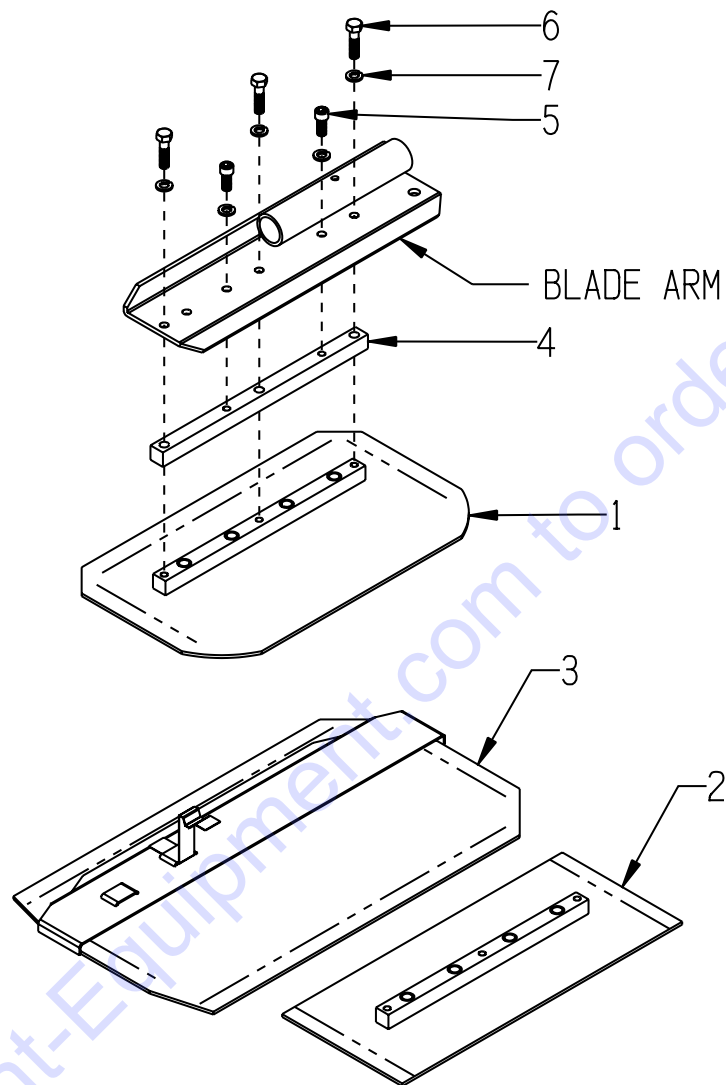
ILLUSTRATION 7:  
BOLT-ON BLADES & ADAPTER  
FOR 30" TROWEL



NOTE:  
A FLOAT BLADE IS NOT  
USED WITH THIS SET-UP.

ITEM #	PART #	DESCRIPTION	QTY.
1	40270-C	C-2C COMBINATION TROWEL BLADE 8 X 10-1/2	4
2	40280-C	F-2C FINISH TROWEL BLADE 6 X 10-1/2	4
3	3639	ADAPTER BAR 3/8" X 5/8" X 8-1/4"	4
4	11639	SCREW, SKT. HD. CAP 5/16-18 X 5/8	8
5	10606	SCREW, HEX HD. CAP 5/16-18 X 1-1/4	8
6	10801	WASHER, LOCK 5/16 ZINC	20

ILLUSTRATION 8:  
BOLT-ON BLADES & ADAPTER  
FOR 36" TROWEL



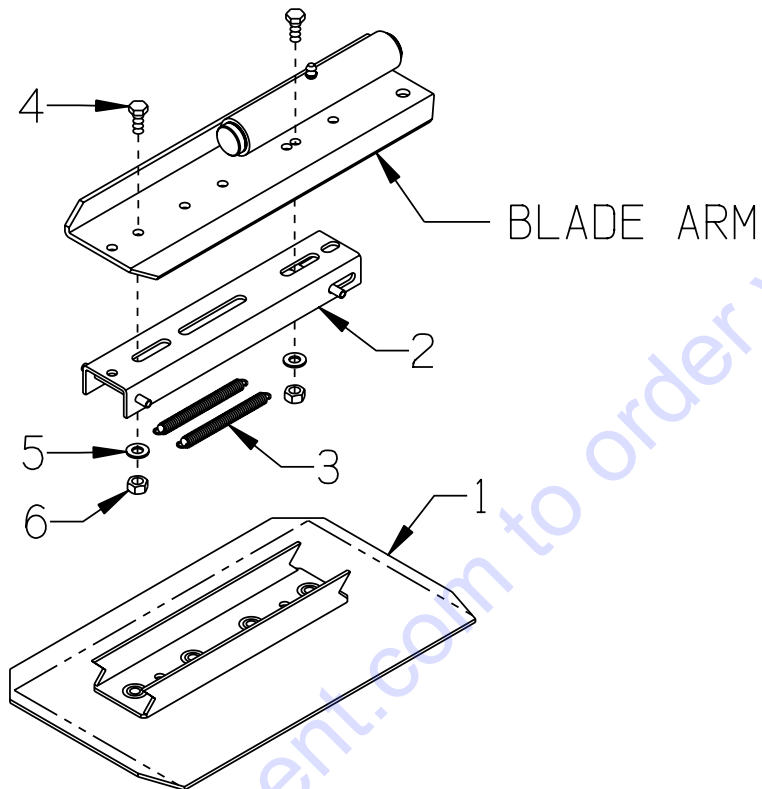
ITEM #	PART #	DESCRIPTION	QTY.
1	40040-C	C-1C COMBINATION TROWEL BLADE 8 X 14	4
2	40050-C	F-1C FINISH TROWEL BLADE 6 X 14	4
3	40060-CE	M-1CE FLOAT TROWEL BLADE 10 X 14 (SLIPS OVER FINISH BLADE)	4
4	36016	ADAPTER BAR 5/8"SQ. X 10-1/4"	4
5	11639	SCREW, SKT. HD. CAP 5/16-18 X 5/8	8
6	10606	SCREW, HEX HD. CAP 5/16-18 X 1-1/4	12
7	10801	WASHER, LOCK 5/16 ZINC	20



A Division of Equipment Development Company, Inc.

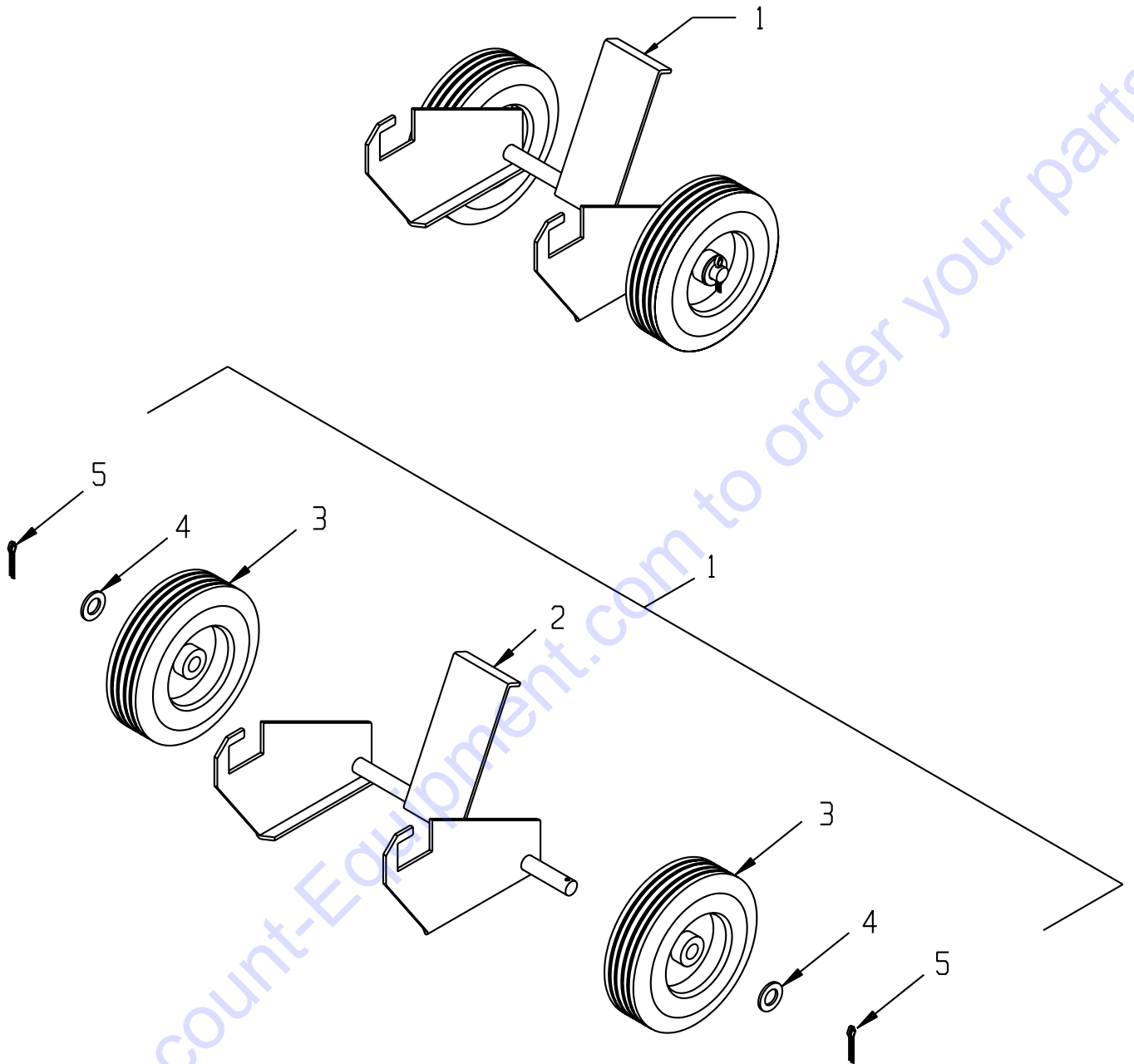


**ILLUSTRATION 9:  
OPTIONAL QUICK CHANGE BLADES & ADAPTERS  
FOR 30" & 36" TROWELS**



ITEM #	PART #	DESCRIPTION	QTY.
1	40270 40040	COMBINATION BLADE (SHOWN) C-2, 8" x 11" C-1, 8" x 14"	4
1	40290 40060	FLOAT BLADE M-2, 9" x 11" M-1, 9" x 14"	4
1	40280 40050	FINISH BLADE F-2, 6" x 11" F-1, 6" x 14"	4
2	40197	ADAPTER COMPLETE "A" 10-1/16"L (INCLUDES SPRINGS, ITEM 3)	4
3	3636	SPRING, EXTENSION 6"L ("A" ADAPTER)	8
4	10053	SCREW, CAP 5/16-18 X 3/4	8
5	10213	WASHER, FLAT 5/16 SAE ZINC	8
6	10807	NUT, HEX LOCK 5/16-18 ZINC	8

## ILLUSTRATION 10: OPTIONAL "TOTE-A-TROWEL"

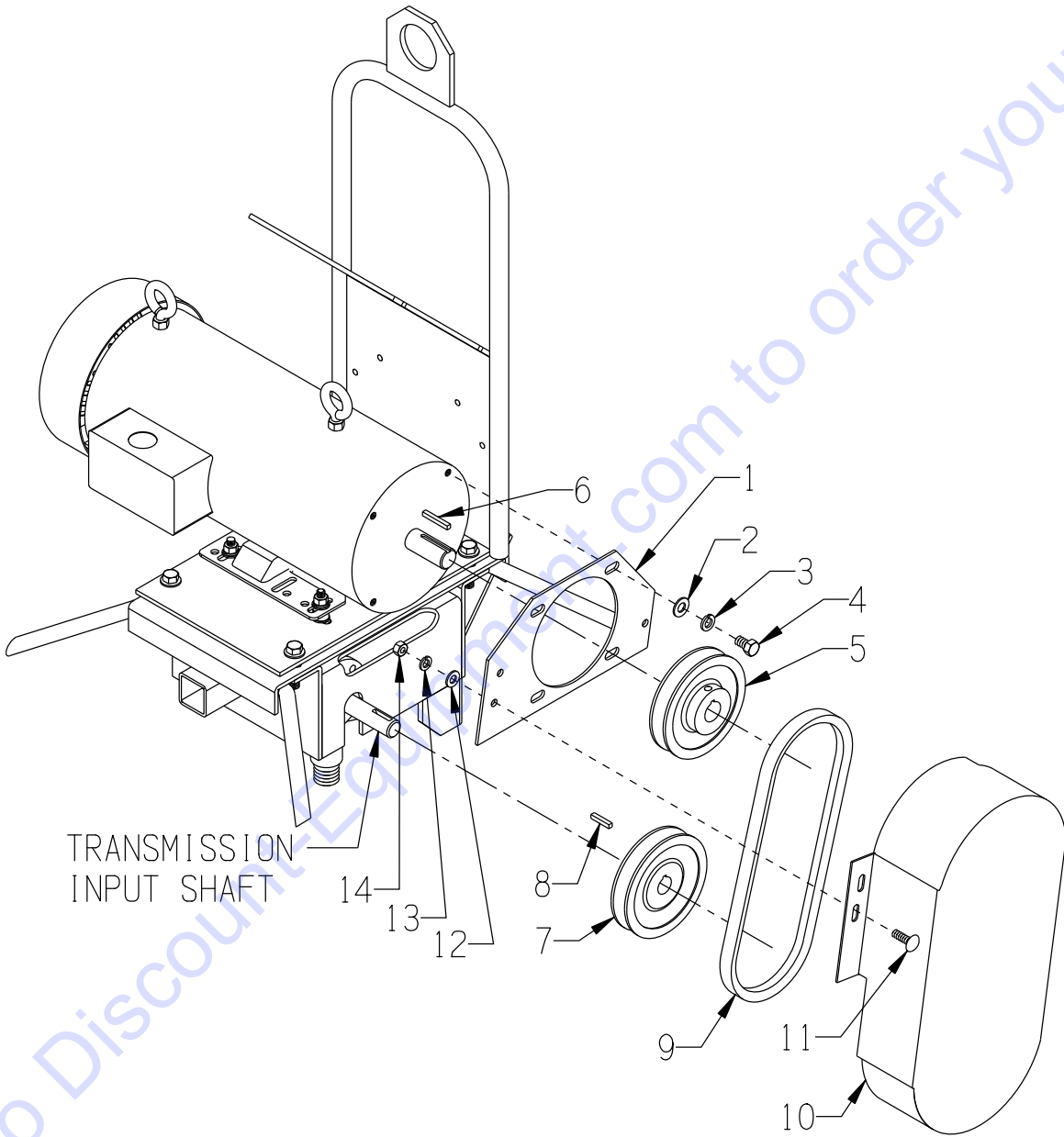


ITEM #	PART #	DESCRIPTION	QTY.
1	81400	TAT-II "TOTE-A-TROWEL" TRANSPORTER (INCLUDES ITEMS 2 THRU 5)	1
2	81401	FRAME	1
3	79013	WHEEL, 8 X 2-1/2 X 3/4" BRG. POLY HUB	2
4	10009	WASHER, FLAT 3/4 SAE ZINC	2
5	10306	PIN, COTTER 3/16 X 1-1/2	2



A Division of Equipment Development Company, Inc.

ILLUSTRATION 11: BELT DRIVE GROUPING

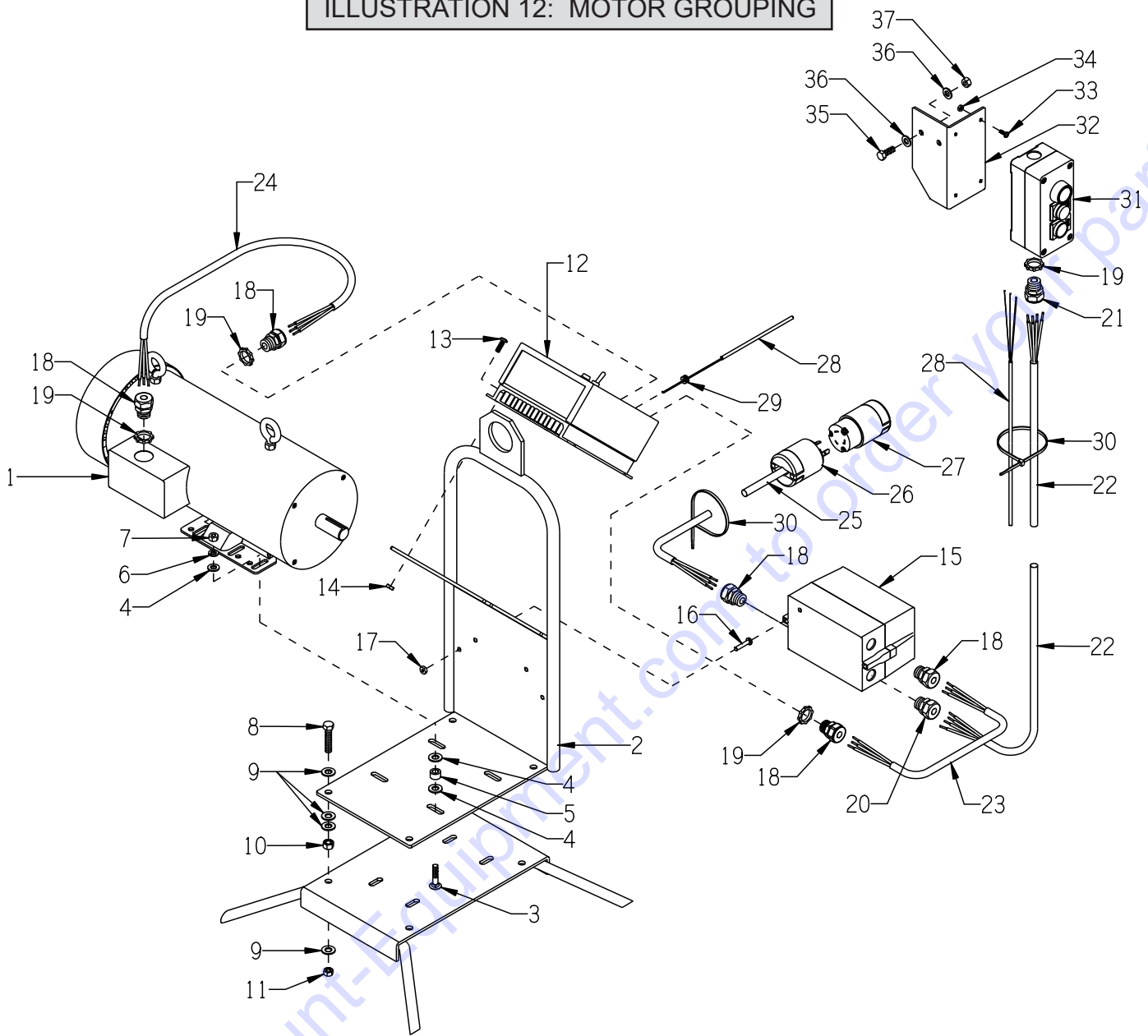


PARTS LISTING - ILLUSTRATION 11: BELT DRIVE GROUPING			
ITEM #	PART #	DESCRIPTION	QTY.
1	36089	MOUNT, BELT COVER, V.S. TROWEL	1
2	10025	WASHER, FLAT 3/8 ZINC	4
3	10811	WASHER, LOCK 3/8 ZINC	4
4	10907	SCREW, CAP 3/8-16 X 3/4	4
5	10550	SHEAVE 4.5"OD X 1GR.B X 7/8"BORE	1
6	-----	KEY (INCLUDED W/ MOTOR)	1
7	10551	SHEAVE 4.5"OD X 1GR.B X 3/4"BORE	1
8	36108	TRANS. INPUT KEY 3/16SQ X 1 (INCLUDED W/ TRANSMISSION)	1
9	10023	BELT 5L-280	1
10	36072 36141	COVER, BELT, TROWEL (4-3/16" WIDTH) COVER, BELT, ELEC.TROWEL (3"WIDTH)	1 1
11	10818	BOLT, CARRIAGE 5/16-18 X 3/4 F.T.	3
12	10801	WASHER, LOCK 5/16 ZINC	3
13	10213	WASHER, FLAT 5/16 SAE ZINC	3
14	10054	NUT, HEX 5/16-18 ZINC	3



A Division of Equipment Development Company, Inc.

**ILLUSTRATION 12: MOTOR GROUPING**



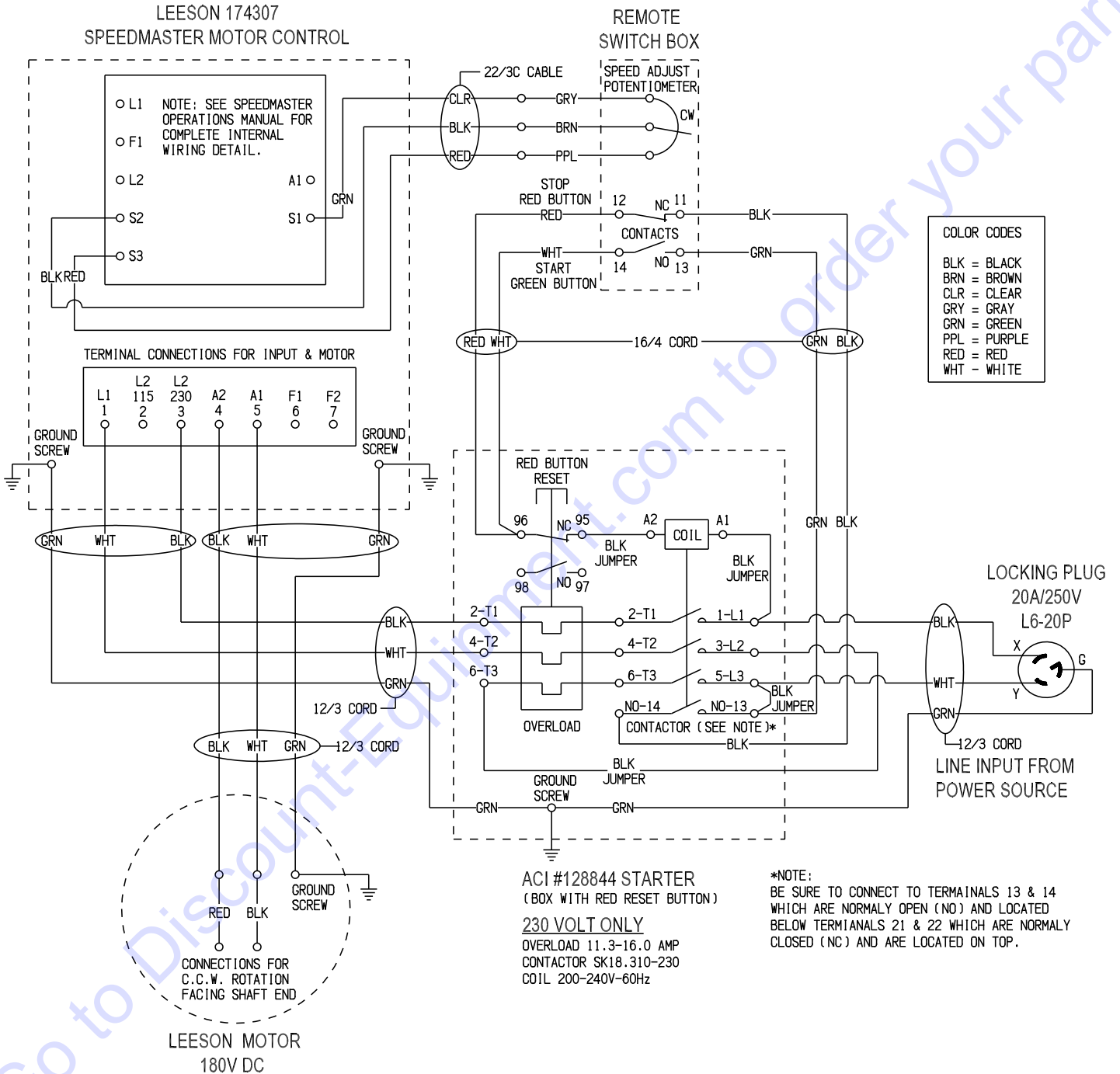
PARTS LISTING - ILLUSTRATION 12: MOTOR GROUPING			
ITEM #	PART #	DESCRIPTION	QTY.
1	16052	MOTOR, LEESON 2HP-180VDC-1750RPM CAT. NO. 128010.00 NOTE: BASE IS FLIPPED AROUND 180°	1
2	36142	LIFTING BAIL/MOTOR MOUNT, VS TROWEL	1
3	10817	BOLT, CARRIAGE 5/16-18 X 1-1/2 F.T.	4
4	10213	WASHER, FLAT 5/16 SAE ZINC	12
5	10011	SPACER, STEEL 5/8OD X 3/8ID X 3/8T	4
6	10801	WASHER, LOCK 5/16 ZINC	4
7	10054	NUT, HEX 5/16-18 ZINC	4
8	11729	BOLT, TAP 3/8-24 X 1-3/4(FULL THD.)	4

PARTS LISTING CONTINUED - ILLUSTRATION 12: MOTOR GROUPING			
ITEM #	PART #	DESCRIPTION	QTY.
9	10025	WASHER, FLAT 3/8 SAE ZINC	12
10	10011	SPACER, STEEL 5/8OD X 3/8ID X 3/8T	4
11	10004	NUT, HEX LOCK 3/8-24 ZINC	4
12	16111	CONTROL ASSEMBLY, ADJUSTABLE SPEED	1
	16111-S1	INCLUDES: CONTROL CHASSIS, SPEEDMASTER	1
	16111-S2	CONTROL HEAT SINK, SPEEDMASTER	1
13	10830	SCREW, MACHINE SHWH 10-32 X 1/2 NUT, HEX 5/16-18 ZINC	4
14	10832	NUT, KEPS LOCK 10-32 ZINC	4
	10850	WASHER, FLAT #10 SAE ZINC (NOT SHOWN)	4
15	16604	STARTER ACI #128844 RESET ONLY (COMPLETE BOX)	1
		REPLACEMENT PARTS:	
	16617	STARTER CONTACTOR W/ COIL ACI SK18.310-230	1
	16622	STARTER AC COIL 200/240V-60HZ	1
	16635	STARTER OVERLOAD RELAY 11.3-16 AMP	1
16	11732	SCREW, MACHINE 10-32 X 1-3/4 RHP	2
	10384	SCREW, MACHINE 10-32 X 1 RHP	1
17	10832	NUT, KEPS LOCK 10-32 ZINC	3
18	41130	STRAIN RELIEF 1/2NPT X .550-.650"	5
19	10790	CONDUIT LOCK NUT 1/2 NP	4
20	40066	STRAIN RELIEF 1/2NPT X .350-.450"	1
21	28032	STRAIN RELIEF 1/2NPT X .450-.560"	1
22	36151	CORD WIRE 16/4 X 58"L	1
23	36152	CORD WIRE 12/3 X 24"L	1
24	36153	CORD WIRE 12/3 X 34"L	1
25	36154	CORD WIRE 12/3 X 65"L	1
26	40037	PLUG, LOCKING 20A/250V L6-20P	1
27	40000	CONNECTOR, LOCKING 20A/250V L6-20C	1
28	36155	WIRE, CONTROL 22/3 X 65"L	1
29	11535	GROMMET 5/32ID X 7/64GRV. X 1/4GD	1
30	10982	TIE, CABLE, BLACK NYLON 11-1/4"	10
31	16602	SWITCH BOX, 3-BUTTON ACI 128896 (INCLUDES 2 BUTTONS ONLY)	1
		NOTE: VARIABLE SPEED KNOB IS RELOCATED FROM THE CONTROL BOX.	
	16456-6	REPLACEMENTS: PUSH-BUTTON, GREEN W/ CONTACTOR	1
	16456-7	PUSH-BUTTON, RED W/ CONTACTOR	1
32	36156	BRACKET, V.S. REMOTE SWITCH BOX	1
33	11663	SCREW, MACHINE 8-32 X 1/2 RHCD ZINC	4
34	10462	NUT, KEPS LOCK 8-32 ZINC	4
35	10018	SCREW, CAP 1/4-20 X 3/4	2
36	10602	WASHER, FLAT 1/4 SAE ZINC	4
37	10861	NUT, KEPS LOCK 1/4-20 ZINC	2



A Division of Equipment Development Company, Inc.

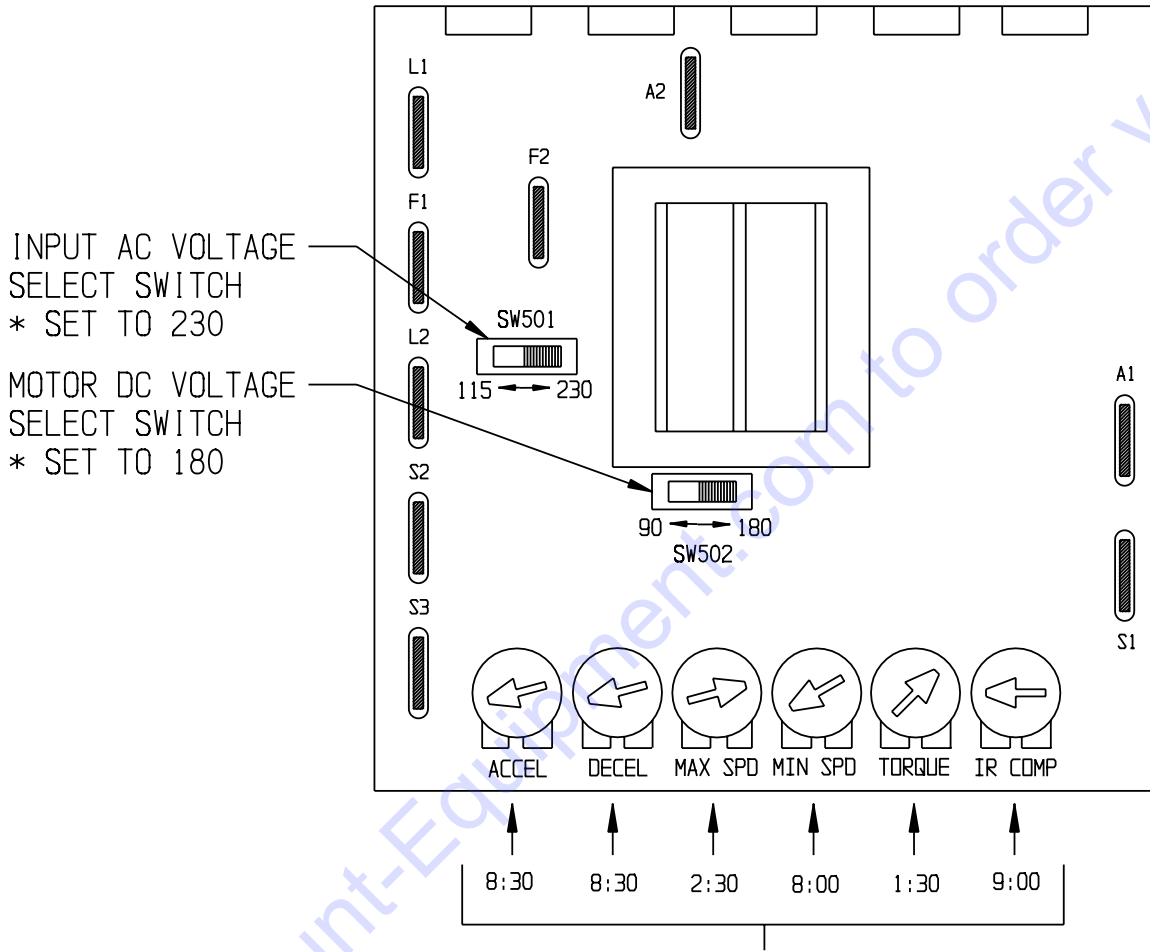
**ILLUSTRATION 13: WIRING DIAGRAM**





**ILLUSTRATION 14:  
MOTOR CONTROL TRIMPOT CALIBRATION**

**CIRCUIT BOARD - LOCATED INSIDE  
SPEEDMASTER MOTOR CONTROL BOX**



FACTORY SETTINGS ARE SET  
TO THESE "CLOCK" POSITIONS

NOTE:  
FOR HEAVY LOADS - INCREASE "TORQUE"  
SETTING CLOCKWISE (4:00 MAXIMUM).

# PARTS FINDER

**Search Website  
by Part Number**



**Search Manual  
Library For Parts  
Manual & Lookup Part  
Numbers – Purchase  
or Request Quote**

**Search Manuals**

Enter your information to help us find the right parts manual for your machine.

\* Brand:

\* Model:

\* Serial:

\* Part Number:

SEARCH

**Can't Find Part or  
Manual? Request Help  
by Manufacturer,  
Model & Description**

**Parts Order Form**

Please fill in the following information to help us find the right part for your machine.

Manufacturer:	<input type="text"/>
Model:	<input type="text"/>
Description:	<input type="text"/>
Part Number:	<input type="text"/>
Quantity:	<input type="text"/>
Notes:	<input type="text"/>

Submit

Discount-Equipment.com is your online resource for quality parts & equipment.

Florida: **561-964-4949** Outside Florida TOLL FREE: **877-690-3101**

**Need parts?**

Click on this link: <http://www.discount-equipment.com/category/5443-parts/> and choose one of the options to help get the right parts and equipment you are looking for. Please have the machine model and serial number available in order to help us get you the correct parts. If you don't find the part on the website or on one of the online manuals, please fill out the request form and one of our experienced staff members will get back to you with a quote for the right part that your machine needs.

We sell worldwide for the brands: Genie, Terex, JLG, MultiQuip, Mikasa, Essick, Whiteman, Mayco, Toro Stone, Diamond Products, Generac Magnum, Airman, Haulotte, Barreto, Power Blanket, Nifty Lift, Atlas Copco, Chicago Pneumatic, Allmand, Miller Curber, Skyjack, Lull, Skytrak, Tsurumi, Husquvarna Target, Stow, Wacker, Sakai, Mi-T-M, Sullair, Basic, Dynapac, MBW, Weber, Bartell, Bennar Newman, Haulotte, Ditch Runner, Menegotti, Morrison, Contec, Buddy, Crown, Edco, Wyco, Bomag, Laymor, EZ Trench, Bil-Jax, F.S. Curtis, Gehl Pavers, Heli, Honda, ICS/PowerGrit, IHI, Partner, Imer, Clipper, MMD, Koshin, Rice, CH&E, General Equipment, Amida, Coleman, NAC, Gradall, Square Shooter, Kent, Stanley, Tamco, Toku, Hatz, Kohler, Robin, Wisconsin, Northrock, Oztec, Toker TK, Rol-Air, APT, Wylie, Ingersoll Rand / Doosan, Innovatech, Con X, Ammann, Mecalac, Makinex, Smith Surface Prep, Small Line, Wanco, Yanmar