

REVISED STARTING
SERIAL #150710130



PARTS LIST MANUAL ELECTRIC POWER TROWELS



| SKU # | MODEL # | SIZE | RPM | MOTOR OPTION |
|--------|------------|------|------|-------------------------------------|
| C86400 | T244RS-1.5 | 24" | 65** | LEESON 1.5HP 1-PH 60HZ 115V 1725RPM |
| C85100 | T304RS-1.5 | 30" | 65** | |
| C85200 | T364RS-1.5 | 36" | 65** | |
| 84600 | T244-3 | 24" | 115* | BALDOR 3HP 1-PH 60HZ 230V 3450RPM |
| 80400 | T304-3 | 30" | 115* | |
| 81300 | T364-3 | 36" | 115* | |
| 81200 | T464-5 | 46" | 105* | BALDOR 5HP 1-PH 60Hz 230V 3450RPM |

*STANDARD SPEED CONCRETE POWER TROWELS

**REDUCED SPEED EPOXY MORTAR POWER TROWELS



PARTS FINDER

**Search Website
by Part Number**



**Search Manual
Library For Parts
Manual & Lookup Part
Numbers – Purchase
or Request Quote**

Search Manuals

Enter your information to help us find the right parts manual for your machine.

* Brand:

* Model:

* Serial:

* Part Number:

SEARCH

**Can't Find Part or
Manual? Request Help
by Manufacturer,
Model & Description**

Parts Order Form

Please fill in the following information to help us find the right part for your machine.

| | |
|---------------|----------------------|
| Manufacturer: | <input type="text"/> |
| Model: | <input type="text"/> |
| Description: | <input type="text"/> |
| Part Number: | <input type="text"/> |
| Quantity: | <input type="text"/> |
| Notes: | <input type="text"/> |

Submit

Discount-Equipment.com is your online resource for quality parts & equipment.

Florida: **561-964-4949** Outside Florida TOLL FREE: **877-690-3101**

Need parts?

Click on this link: <http://www.discount-equipment.com/category/5443-parts/> and choose one of the options to help get the right parts and equipment you are looking for. Please have the machine model and serial number available in order to help us get you the correct parts. If you don't find the part on the website or on one of the online manuals, please fill out the request form and one of our experienced staff members will get back to you with a quote for the right part that your machine needs.

We sell worldwide for the brands: Genie, Terex, JLG, MultiQuip, Mikasa, Essick, Whiteman, Mayco, Toro Stone, Diamond Products, Generac Magnum, Airman, Haulotte, Barreto, Power Blanket, Nifty Lift, Atlas Copco, Chicago Pneumatic, Allmand, Miller Curber, Skyjack, Lull, Skytrak, Tsurumi, Husquvarna Target, Stow, Wacker, Sakai, Mi-T-M, Sullair, Basic, Dynapac, MBW, Weber, Bartell, Bennar Newman, Haulotte, Ditch Runner, Menegotti, Morrison, Contec, Buddy, Crown, Edco, Wyco, Bomag, Laymor, EZ Trench, Bil-Jax, F.S. Curtis, Gehl Pavers, Heli, Honda, ICS/PowerGrit, IHI, Partner, Imer, Clipper, MMD, Koshin, Rice, CH&E, General Equipment, Amida, Coleman, NAC, Gradall, Square Shooter, Kent, Stanley, Tamco, Toku, Hatz, Kohler, Robin, Wisconsin, Northrock, Oztec, Toker TK, Rol-Air, APT, Wylie, Ingersoll Rand / Doosan, Innovatech, Con X, Ammann, Mecalac, Makinex, Smith Surface Prep, Small Line, Wanco, Yanmar

READ AND UNDERSTAND THE OPERATORS INSTRUCTION MANUAL THOROUGHLY BEFORE ATTEMPTING TO OPERATE THIS EQUIPMENT.



Death or serious injury could occur if this machine is used improperly.



SAFETY MESSAGES

- Safety Instructions are preceded by a graphic alert symbol of DANGER, WARNING, or CAUTION.



Indicates an imminent hazard which, if not avoided, will result in death or serious injury.



Indicates an imminent hazard which, if not avoided, can result in death or serious injury.



Indicates hazards which, if not avoided, could result in serious injury and or damage to the equipment.

GASOLINE/PROPANE POWERED EQUIPMENT



- Engine exhaust from this product contains chemicals known to the State of California to cause cancer, birth defects or other reproductive harm.



- Gasoline is extremely flammable and poisonous. It should only be dispensed in well ventilated areas, and with a cool engine.

- Small gasoline engines produce high concentrations of carbon monoxide (CO) example: a 5 HP 4 cycle engine operation in an enclosed 100,000 cu. ft. area with only one change of air per hour is capable of providing deadly concentrations of CO in less than fifteen minutes. Five changes of air in the same area will produce noxious fumes in less than 30 minutes. Gasoline or propane powered equipment should not be used in enclosed or partially enclosed areas. Symptoms of CO poisoning include, headache, nausea, weakness, dizziness, visual problems and loss of consciousness. If symptoms occur - get into fresh air and seek medical attention immediately.

ELECTRICAL POWERED EQUIPMENT



Extreme care must be taken when operating electric models with water present: Ensure power cord is properly grounded, is attached to a Ground-Fault-Interrupter (GFI) outlet, and is undamaged.

- Check all electrical cables - be sure connections are tight and cable is continuous and in good condition. Be sure cable is correctly rated for both the operating current and voltage of this equipment.
- Improper connection of the equipment-grounding conductor can result in a risk of electric shock. Check with qualified electrician or service person if there is any doubt as to whether the outlet is properly grounded. Adhere to **all** local codes and ordinances.
- **NOTE:** In the event of a malfunction or breakdown, grounding provides a path of least resistance for the electric current to dissipate. The motor is equipped with a grounded plug and must be connected to an outlet that is properly installed and properly grounded. DO NOT modify the plug provided on the motor. If the plug does not fit the outlet have a qualified electrician install the proper receptacle.
- Switch motor OFF **before** disconnecting power.

- Do not disconnect power by pulling cord. To disconnect, grasp the plug, not the cord.
- Unplug power cord at the machine when not in use and before servicing.

GENERAL INSTRUCTIONS

- Equipment should only be operated by trained personnel in good physical condition and mental health (not fatigued). The operator and maintenance personnel must be physically able to handle the bulk weight and power of this equipment.
- This is a one person tool. Maintain a safe operating distance to other personnel. It is the **operators' responsibility** to keep other people (workers, pedestrians, bystanders, etc.) away during operation. Block off the work area in all directions with roping, safety netting, etc. for a safe distance. Failure to do so may result in others being injured by flying debris or exposing them to harmful dust and noise.
- This equipment is intended for commercial use only.
- For the operator's safety and the safety of others, always keep all guards in place during operation.
- Never let equipment run unattended.



- Personal Protection Equipment and proper safety attire must be worn when operating this machinery. The operator must wear approved safety equipment appropriate for the job such as hard hat and safety shoes when conditions require. Hearing protection **MUST** be used (operational noise levels of this equipment may exceed 85db). Eye protection **MUST** be worn at all times.



Keep body parts and loose clothing away from moving parts. Failure to do so could result in dismemberment or death.

- Do not modify the machine.
- Stop motor/engine when adjusting or servicing this equipment.
- Maintain a safe operating distance from flammable materials. Sparks from the cutting-action of this machine can ignite flammable materials or vapors.

DUST WARNING



Some dust created by power sanding, sawing, grinding, drilling, and other construction activities contains chemicals known to cause cancer, birth defects, or other reproductive harm. Some examples of these chemicals are:

- Lead from lead-based paints, and
- Crystalline silica from bricks and concrete and other masonry products.

Your risk of exposure to these chemicals varies depending on how often you do this type of work. To reduce your risk: work in a well ventilated area, use a dust control system, such as an industrial-style vacuum, and wear approved personal safety equipment, such as a dust/particle respirator designed to filter out microscopic particles.

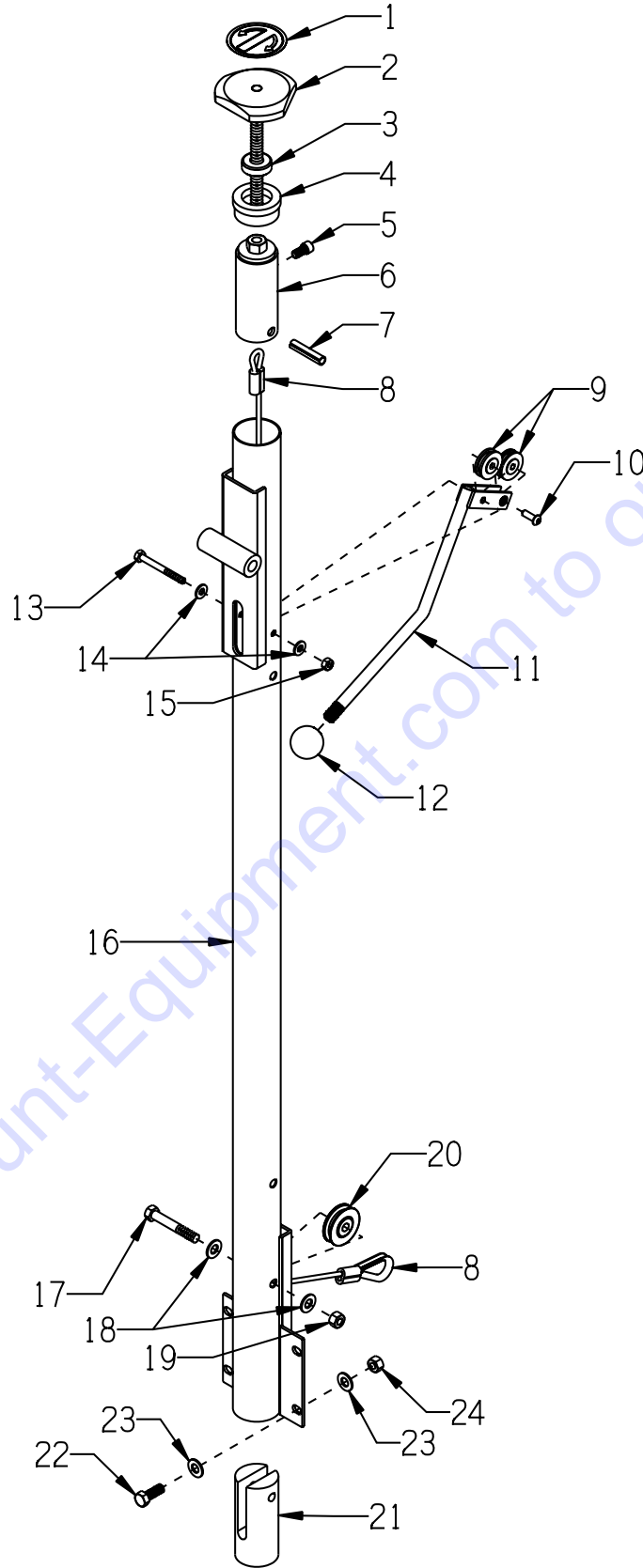
PARTS LIST MANUAL

ELECTRIC POWER TROWELS

TABLE OF CONTENTS

| <u>Section</u> | <u>Page Number</u> |
|---|--------------------|
| Safety Messages and General Instructions | 2 |
| How To Order Replacement Parts | 3 |
| Illustration 1: Handle Bar, Pitch Lever & Control Knob Grouping | 4, 5 |
| Illustration 2: Adjustable Handle Belly Bar Grouping | 6 |
| Illustration 3: On/Off Switch Grouping | 7 |
| Illustration 4: Frame, Transmission & Spider Grouping | 8, 9 |
| Illustration 5: Spider Assembly | 10 |
| Illustration 6: Bolt-On Blades & Adapter for 24" Trowel | 11 |
| Illustration 7: Bolt-On Blades & Adapter for 30" Trowel | 12 |
| Illustration 8: Bolt-On Blades & Adapter for 36" Trowel | 13 |
| Illustration 9: Bolt-On Blades & Adapter for 46" Trowel | 14 |
| Illustration 10: Optional Quick Change Blades & Adapters | 15 |
| Illustration 11: Lift Handle Grouping | 16 |
| Illustration 12: Optional "Tote-A-Trowel" | 17 |
| Illustration 13: Motor Grouping for Model T244RS-1.5, T304RS-1.5 & T364RS-1.5 | 18, 19 |
| Illustration 14: Motor Grouping for Model T244-3, T304-3 & T364-3 | 20, 21 |
| Illustration 15: Motor Grouping for Model T464-5 | 22, 23 |
| Wiring Diagram for Starter & Switch | 24 |
| Wiring Diagram for Leeson 1.5 HP Motor | 25 |
| Wiring Diagram for Baldor 3 HP Motor | 26 |
| Wiring Diagram for Baldor 5 HP Motor | 27 |
| Decal Sheet | 28 |
| Notes | 29 |
| Blank Pages | 30, 31 |
| Limited Equipment Warranty of Sale - Terms & Conditions | 32 (Back Page) |

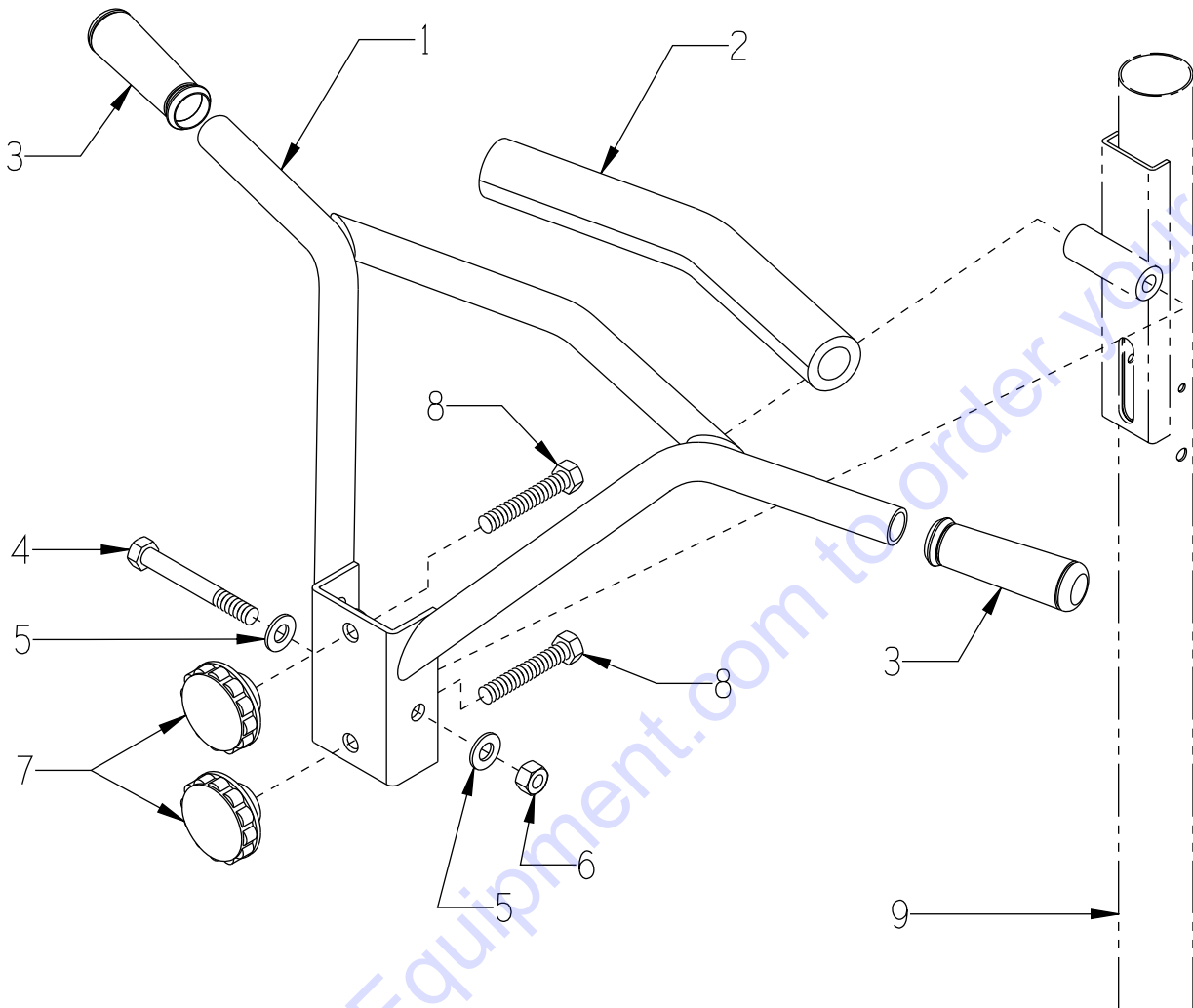
ILLUSTRATION 1: HANDLE BAR, PITCH LEVER & CONTROL KNOB GROUPING



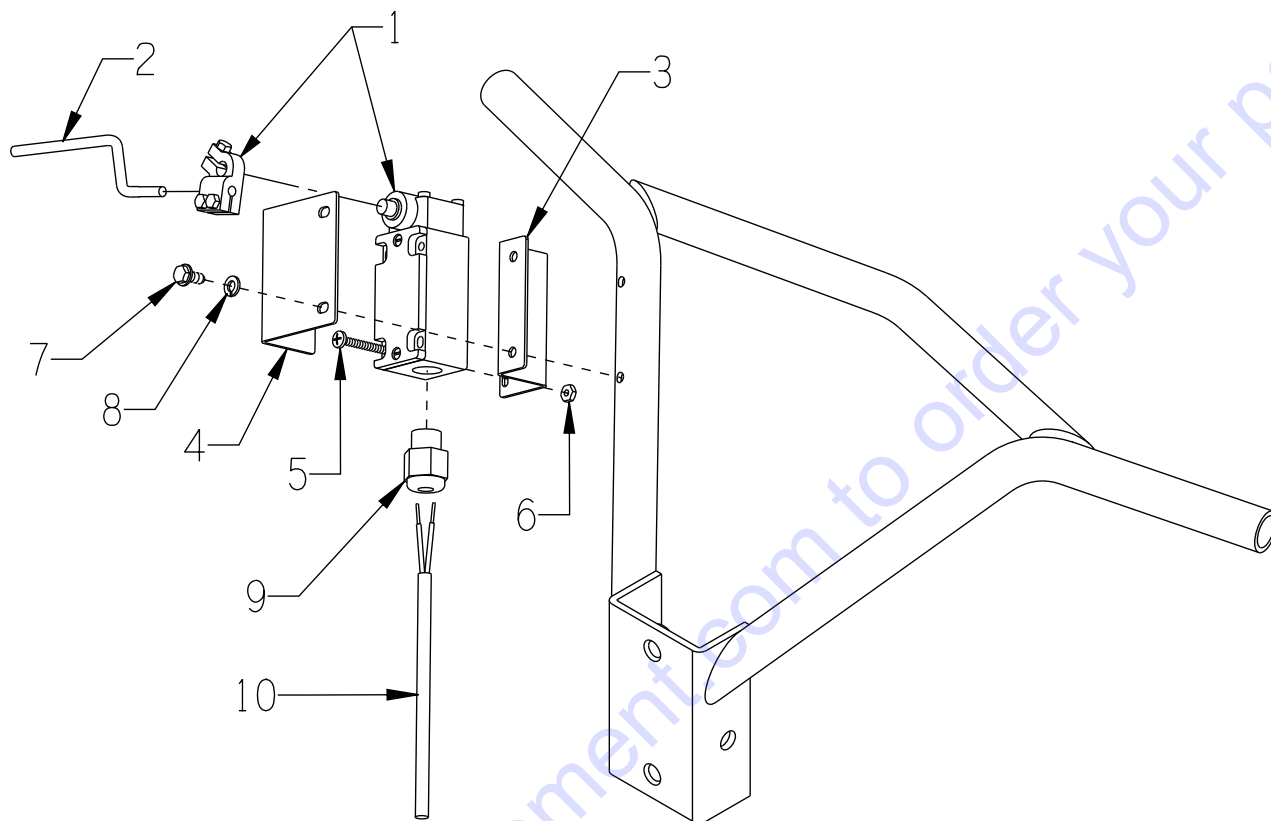
**PARTS LISTING - ILLUSTRATION 1 :
HANDLE BAR, PITCH LEVER & CONTROL KNOB GROUPING**

| ITEM # | PART # | DESCRIPTION | QTY. |
|--------|--------|-------------------------------------|------|
| 1 | 3661 | DECAL, BLADE ANGLE - FLAT/TILT | 1 |
| 2 | 49014 | KNOB, CONTROL W/ 1/2-13 X 6-3/4"ROD | 1 |
| 3 | 3642 | BEARING, THRUST BALL 1/2 | 1 |
| 4 | 36078 | HANDLE TOP INSERT | 1 |
| 5 | 11639 | SCREW, SKT. HD. CAP 5/16-18 X 5/8 | 1 |
| 6 | 36080 | LINKAGE | 1 |
| 7 | 11728 | PIN, ROLL 3/8 X 1-3/4 | 1 |
| 8 | 36082 | CABLE, CONTROL 3/16 X 51"L | 1 |
| | 4610 | CABLE, THIMBLE 3/16" | 1 |
| | 3618 | SLEEVE, 3/16" CABLE OVAL NICOPRESS | 2 |
| 9 | 14082 | PULLEY BEARING 1-1/4DIA. X 1/4BORE | 2 |
| 10 | 10884 | SCREW, SKT. BUTTON HD. 1/4-20 X 3/4 | 1 |
| 11 | 36081 | LEVER, PITCH | 1 |
| 12 | 14023 | KNOB, BALL 1-3/8 W/ 1/2-13THD, BLK. | 1 |
| 13 | 10001 | SCREW, CAP 1/4-20 X 2-1/2 | 1 |
| 14 | 10602 | WASHER, FLAT 1/4 SAE ZINC | 2 |
| 15 | 10150 | NUT, HEX NYLON LOCK 1/4-20 | 1 |
| 16 | 36070E | HANDLE BAR | 1 |
| 17 | 10393 | SCREW, CAP 3/8-24 X 2-1/2 | 1 |
| 18 | 10025 | WASHER, FLAT 3/8 SAE ZINC | 2 |
| 19 | 10058 | NUT, HEX LOCK 3/8-24 W/ NYLON PATCH | 1 |
| 20 | 3621 | PULLEY BEARING 1-3/4DIA. X 3/8BORE | 1 |
| 21 | 36077 | ROLLER GUIDE | 1 |
| 22 | 10021 | SCREW, CAP 3/8-24 X 1 | 4 |
| 23 | 10025 | WASHER, FLAT 3/8 SAE ZINC | 4 |
| 24 | 10004 | NUT, HEX LOCK 3/8-24 ZINC | 4 |

ILLUSTRATION 2: ADJUSTABLE HANDLE BELLY BAR GROUPING



| ITEM # | PART # | DESCRIPTION | QTY. |
|--------|--------|--|------|
| 1 | 36071E | HANDLE BELLY BAR, ADJUSTABLE | 1 |
| 2 | 36083 | PADDING, BELLY BAR | 1 |
| 3 | 10608 | GRIP, HAND 1" MODEL AT | 2 |
| 4 | 81001 | SCREW, CAP 1/2-13 X 4 | 1 |
| 5 | 10312 | WASHER, FLAT 1/2 SAE ZINC | 2 |
| 6 | 10155 | NUT, HEX NYLON LOCK 1/2-13 ZINC | 1 |
| 7 | 36063 | KNOB, FLUTED 1/2-13 X 2-1/2" DIA. | 2 |
| 8 | 10340 | BOLT, TAP 1/2-13 X 3 (FULL THREAD) | 2 |
| 9 | 36070E | HANDLE BAR (REF. TO ILLUS. 1, ITEM 16) | 1 |

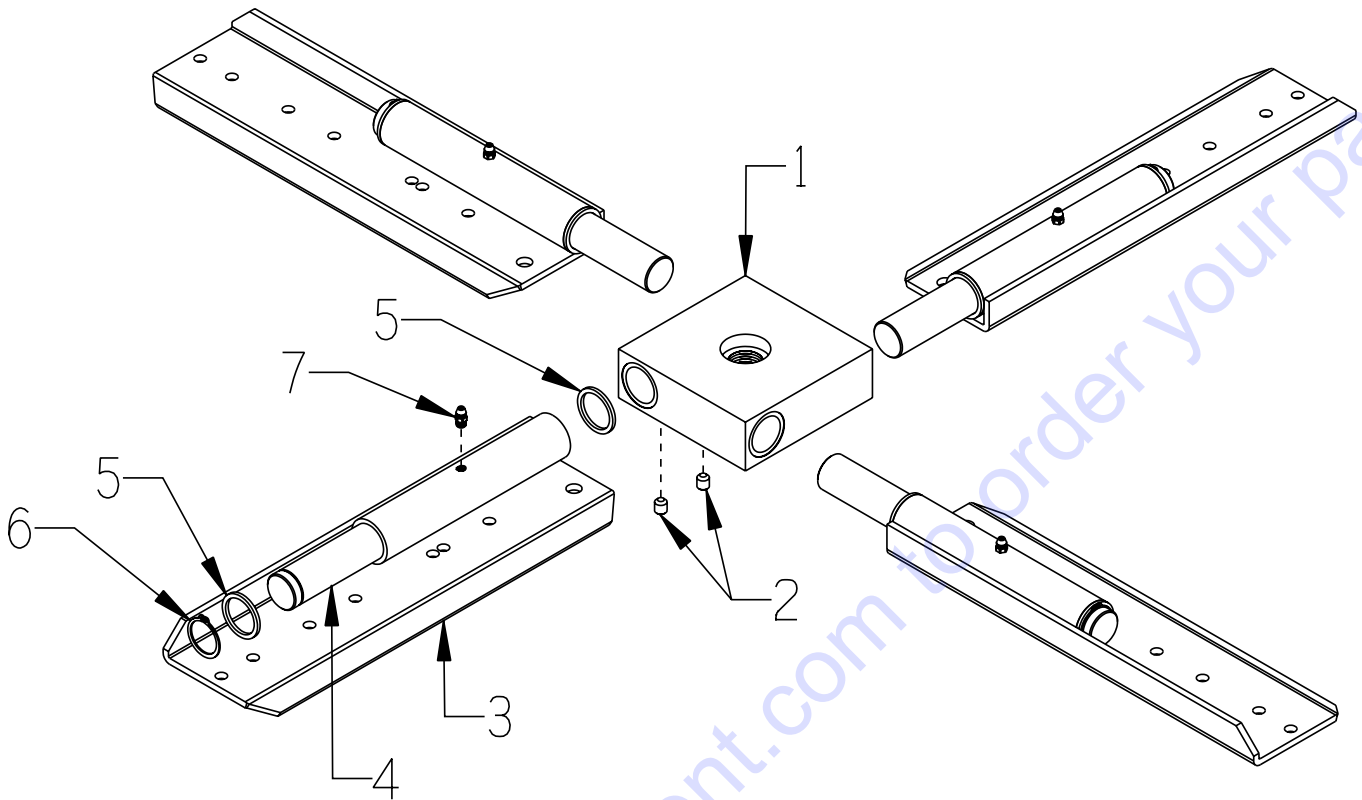
ILLUSTRATION 3: ON/OFF SWITCH GROUPING


| ITEM # | PART # | DESCRIPTION | QTY. |
|--------|--------|---|------|
| 1 | 36170 | SWITCH, POSITION AT4/11-1/I/H | 1 |
| 2 | 36173 | LEVER | 1 |
| 3 | 36171 | BRACKET, SWITCH, ELEC. TROWEL | 1 |
| 4 | 36172 | COVER, SWITCH, ELEC. TROWEL | 1 |
| 5 | 11732 | SCREW, MACHINE 10-32 X 1-3/4 RHP | 4 |
| 6 | 10832 | NUT, KEPS LOCK 10-32 ZINC | 4 |
| 7 | 10846 | SCREW, CAP STSHW 1/4-20 X 1/2 | 2 |
| 8 | 10038 | WASHER, LOCK 1/4 ZINC | 2 |
| 9 | 28506 | STRAIN RELIEF, M20X1.5 .276-.512" | 1 |
| 10 | 36174 | CORD WIRE 16/2 300V X 70"L (SWITCH TO STARTER) | 1 |

| PARTS LISTING - ILLUSTRATION 4 : FRAME, TRANSMISSION & SPIDER GROUPING | | | |
|---|---|---|----------|
| ITEM # | PART # | DESCRIPTION | QTY. |
| 1 | 36065 36066 36067 36068 | FRAME & GUARD RING 24" TROWEL 30" TROWEL 36" TROWEL 46" TROWEL | 1 |
| 2 | 11729 | BOLT, TAP 3/8-24 X 1-3/4 FULL THD. | 4 |
| 3 | 10025 | WASHER, FLAT 3/8 SAE ZINC | 8 |
| 4 | 10004 | NUT, HEX LOCK 3/8-24 ZINC | 4 |
| 5 | 36069 | MOUNT, TRANSMISSION | 1 |
| 6 | 10055 | SCREW, CAP 3/8-16 X 1 | 6 |
| 7 | 10025 | WASHER, FLAT 3/8 SAE ZINC | 6 |
| 8 | 3664 | TRANSMISSION SUBASSY. (20:1 RATIO) | 1 |
| 9 | 3609 | BEARING, THRUST BALL 1-1/2"ID X 2-19/32"OD X 5/8"THK | 1 |
| 10 | 3626 4603 | PLATE, PITCH ADJUSTMENT 24, 30, & 36" TROWELS 46" TROWELS | 1 |
| 11 | 10021 10322 | SCREW, CAP SCREW, CAP 3/8-24 X 1 (24, 30, & 36" TROWELS) SCREW, CAP 1/2-20 X 2 (46" TROWELS, ON INSIDE) | 4 |
| 12 | 3605 4805 | ROD END, MALE 3/8-24 (24, 30, & 36" TROWELS, AS SHOWN) 1/2-20 (46" TROWELS, MOUNTED ON OUTSIDE) | 4 |
| 13 | 10004 10205 | NUT, HEX LOCK ZINC 3/8-24 (24, 30, & 36" TROWELS) 1/2-20 (46" TROWELS) | 12 16 |
| 14 | 10025 10312 | WASHER, FLAT ZINC 3/8 SAE (24, 30, & 36" TROWELS) 1/2 SAE (46" TROWELS) | 8 |
| 15 | 36084 36085 36086 36087 36093 | SPIDER ASSEMBLY (REFER TO ILLUS. 5) 24" TROWEL (8-1/2" ARMS) 30" TROWEL (12" ARMS) 36" TROWEL (13-1/2" ARMS) 46" TROWEL (15-1/4" ARMS) 46" TROWEL (17-1/4" ARMS) | 1 |
| 16 | 3625 | FORK | 1 |
| 17 | 10816 | SCREW, CAP 3/8-24 X 1-1/2 | 1 |
| 18 | 10030 | SCREW, CAP 3/8-24 X 2 | 1 |
| 19 | 10004 | NUT, HEX LOCK 3/8-24 ZINC | 2 |

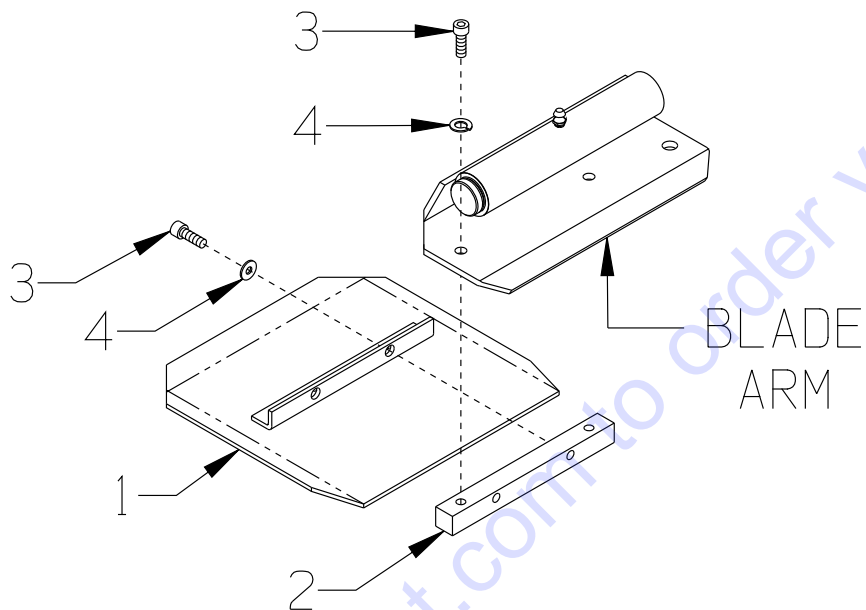


ILLUSTRATION 5: SPIDER ASSEMBLY



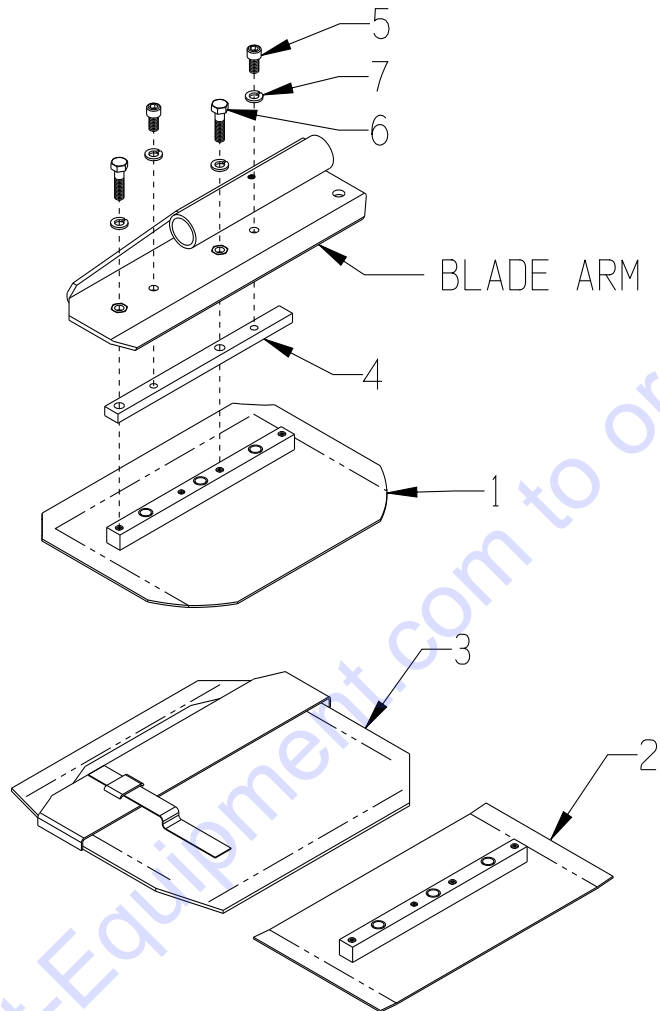
| ITEM # | PART # | DESCRIPTION | QTY. |
|--------|--------|--|------|
| 1 | 3637 | HUB, 4 BLADE TROWEL | 1 |
| 2 | 10052 | SCREW, SET 5/16-18 X 3/8 | 8 |
| 3 | | ARM, BLADE | 4 |
| | 2402 | 8-1/2" ARM, 24" TROWEL ,BOLT-ON BLADES | |
| | 3666 | 12" ARM, 30" TROWEL, BOLT-ON OR QUICK-CHANGE | |
| | 36007 | 13-1/2" ARM, 36" TROWEL, BOLT-ON OR QUICK-CHANGE | |
| | 4618 | 15-1/4" ARM, 46" TROWEL, BOLT-ON BLADES | |
| | 4606 | 17-1/4" ARM, 46" TROWEL, QUICK-CHANGE BLADES | |
| 4 | | SHAFT, BLADE ARM | 4 |
| | 3635 | 9-11/16"L SHAFT (24", 30", & 36" TROWEL) | |
| | 4604 | 13-15/16"L SHAFT (46" TROWEL) | |
| 5 | 3629 | SPACER, ALUM. 1.25 X 1.017 X .090 | 8 |
| 6 | 10906 | RETAINING RING, EXT. 1" | 4 |
| 7 | 10808 | FITTING, GREASE 1/4-28 STRAIGHT | 4 |

**ILLUSTRATION 6:
BOLT-ON BLADES & ADAPTER
FOR 24" TROWEL**



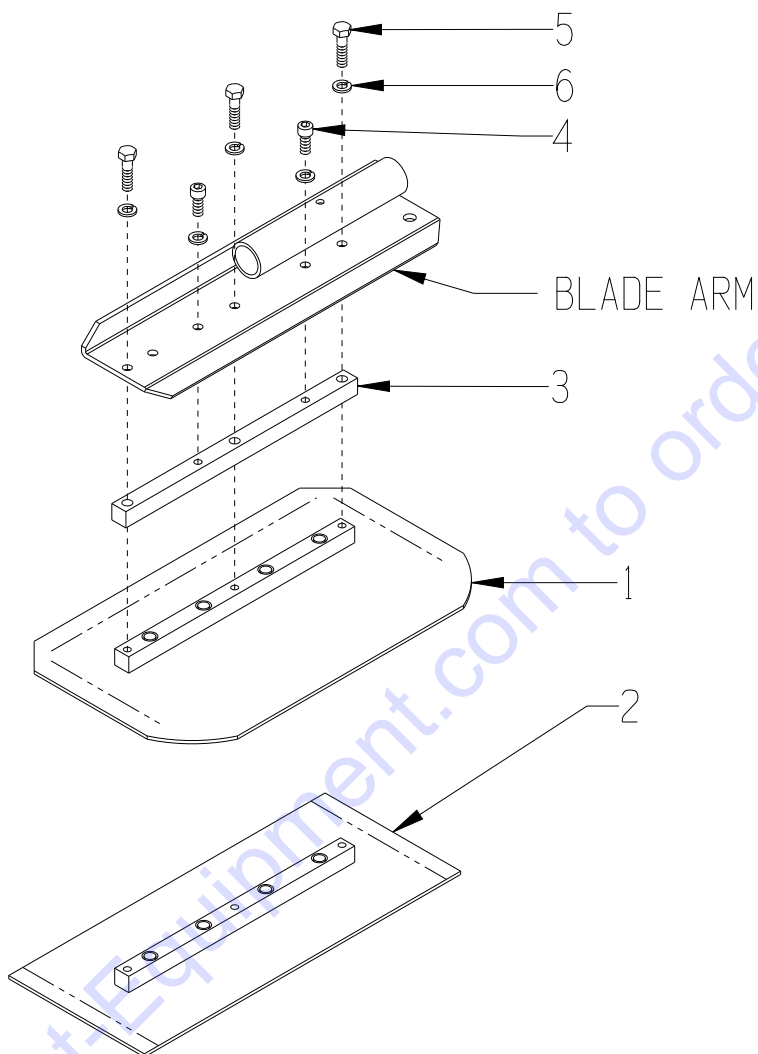
| ITEM # | PART # | DESCRIPTION | QTY. |
|--------|----------------|---|------|
| 1 | 40470 40490 | BLADE C-4 COMBINATION TROWEL BLADE 8 X 8 (SHOWN) M-4 FLOAT TROWEL BLADE 9 X 8 | 4 |
| 2 | 2406 | BAR, BLADE MOUNTING 5/8" SQ. X 6" | 4 |
| 3 | 11639 | SCREW, SKT. HD. CAP 5/16-18 X 5/8 | 16 |
| 4 | 10801 | WASHER, LOCK 5/16 ZINC | 16 |

**ILLUSTRATION 7:
BOLT-ON BLADES & ADAPTER
FOR 30" TROWEL**



| ITEM # | PART # | DESCRIPTION | QTY. |
|--------|---------|--|------|
| 1 | 40270-C | C-2C COMBINATION TROWEL BLADE 8 X 10-1/2 | 4 |
| 2 | 40280-C | F-2C FINISH TROWEL BLADE 6 X 10-1/2 | 4 |
| 3 | 40290-C | M-2C FLOAT TROWEL BLADE 10 X 11 (SLIPS OVER FINISH BLADE) | 4 |
| 4 | 3639 | ADAPTER BAR 3/8" X 5/8" X 8-1/4" | 4 |
| 5 | 11639 | SCREW, SKT. HD. CAP 5/16-18 X 5/8 | 8 |
| 6 | 10606 | SCREW, CAP 5/16-18 X 1-1/4 | 8 |
| 7 | 10801 | WASHER, LOCK 5/16 ZINC | 20 |

**ILLUSTRATION 8:
BOLT-ON BLADES & ADAPTER
FOR 36" TROWEL**



| ITEM # | PART # | DESCRIPTION | QTY. |
|--------|---------|--------------------------------------|------|
| 1 | 40040-C | C-1C COMBINATION TROWEL BLADE 8 X 14 | 4 |
| 2 | 40050-C | F-1C FINISH TROWEL BLADE 6 X 14 | 4 |
| 3 | 36016 | ADAPTER BAR 5/8"SQ. X 10-1/4" | 4 |
| 4 | 11639 | SCREW, SKT. HD. CAP 5/16-18 X 5/8 | 8 |
| 5 | 10606 | SCREW, CAP 5/16-18 X 1-1/4 | 12 |
| 6 | 10801 | WASHER, LOCK 5/16 ZINC | 20 |

PARTS FINDER

**Search Website
by Part Number**



**Search Manual
Library For Parts
Manual & Lookup Part
Numbers – Purchase
or Request Quote**

Search Manuals

Enter your information to help us find the right parts manual for your machine.

* Brand:

* Model:

* Serial:

* Part Number:

SEARCH

**Can't Find Part or
Manual? Request Help
by Manufacturer,
Model & Description**

Parts Order Form

Please fill in the following information to help us find the right part for your machine.

| | |
|---------------|----------------------|
| Manufacturer: | <input type="text"/> |
| Model: | <input type="text"/> |
| Description: | <input type="text"/> |
| Part Number: | <input type="text"/> |
| Quantity: | <input type="text"/> |
| Notes: | <input type="text"/> |

Discount-Equipment.com is your online resource for quality parts & equipment.

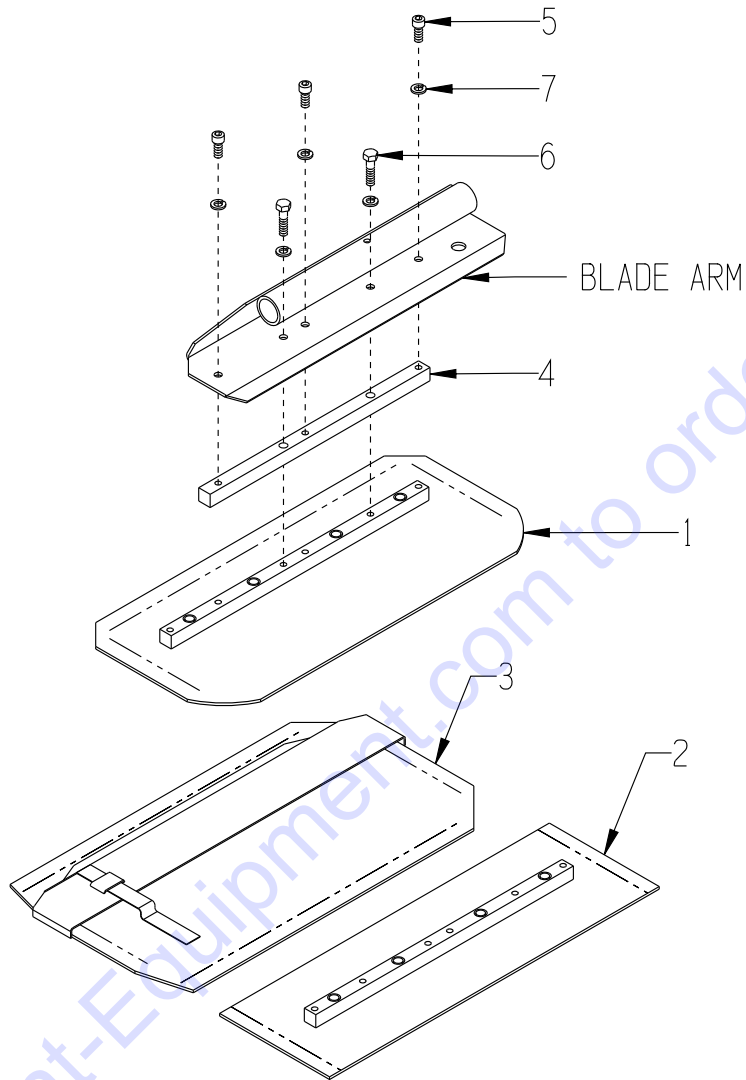
Florida: **561-964-4949** Outside Florida TOLL FREE: **877-690-3101**

Need parts?

Click on this link: <http://www.discount-equipment.com/category/5443-parts/> and choose one of the options to help get the right parts and equipment you are looking for. Please have the machine model and serial number available in order to help us get you the correct parts. If you don't find the part on the website or on one of the online manuals, please fill out the request form and one of our experienced staff members will get back to you with a quote for the right part that your machine needs.

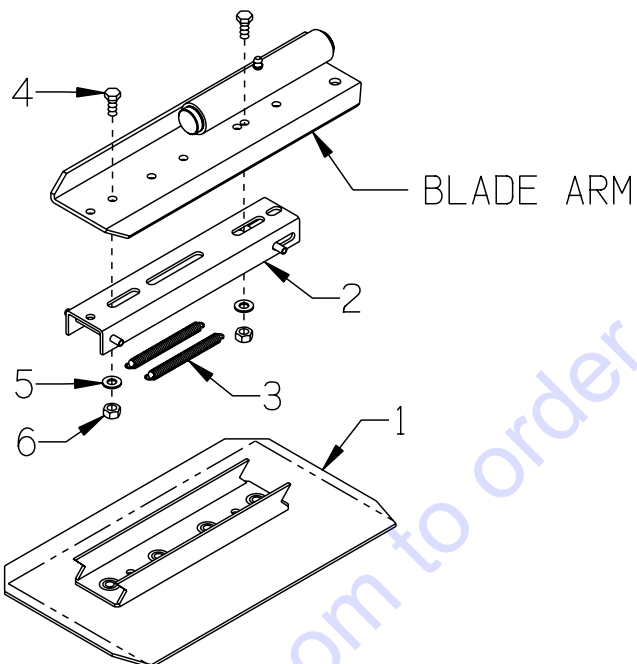
We sell worldwide for the brands: Genie, Terex, JLG, MultiQuip, Mikasa, Essick, Whiteman, Mayco, Toro Stone, Diamond Products, Generac Magnum, Airman, Haulotte, Barreto, Power Blanket, Nifty Lift, Atlas Copco, Chicago Pneumatic, Allmand, Miller Curber, Skyjack, Lull, Skytrak, Tsurumi, Husquvarna Target, Stow, Wacker, Sakai, Mi-T-M, Sullair, Basic, Dynapac, MBW, Weber, Bartell, Bennar Newman, Haulotte, Ditch Runner, Menegotti, Morrison, Contec, Buddy, Crown, Edco, Wyco, Bomag, Laymor, EZ Trench, Bil-Jax, F.S. Curtis, Gehl Pavers, Heli, Honda, ICS/PowerGrit, IHI, Partner, Imer, Clipper, MMD, Koshin, Rice, CH&E, General Equipment, Amida, Coleman, NAC, Gradall, Square Shooter, Kent, Stanley, Tamco, Toku, Hatz, Kohler, Robin, Wisconsin, Northrock, Oztec, Toker TK, Rol-Air, APT, Wylie, Ingersoll Rand / Doosan, Innovatech, Con X, Ammann, Mecalac, Makinex, Smith Surface Prep, Small Line, Wanco, Yanmar

**ILLUSTRATION 9:
BOLT-ON BLADES & ADAPTER
FOR 46" TROWEL**



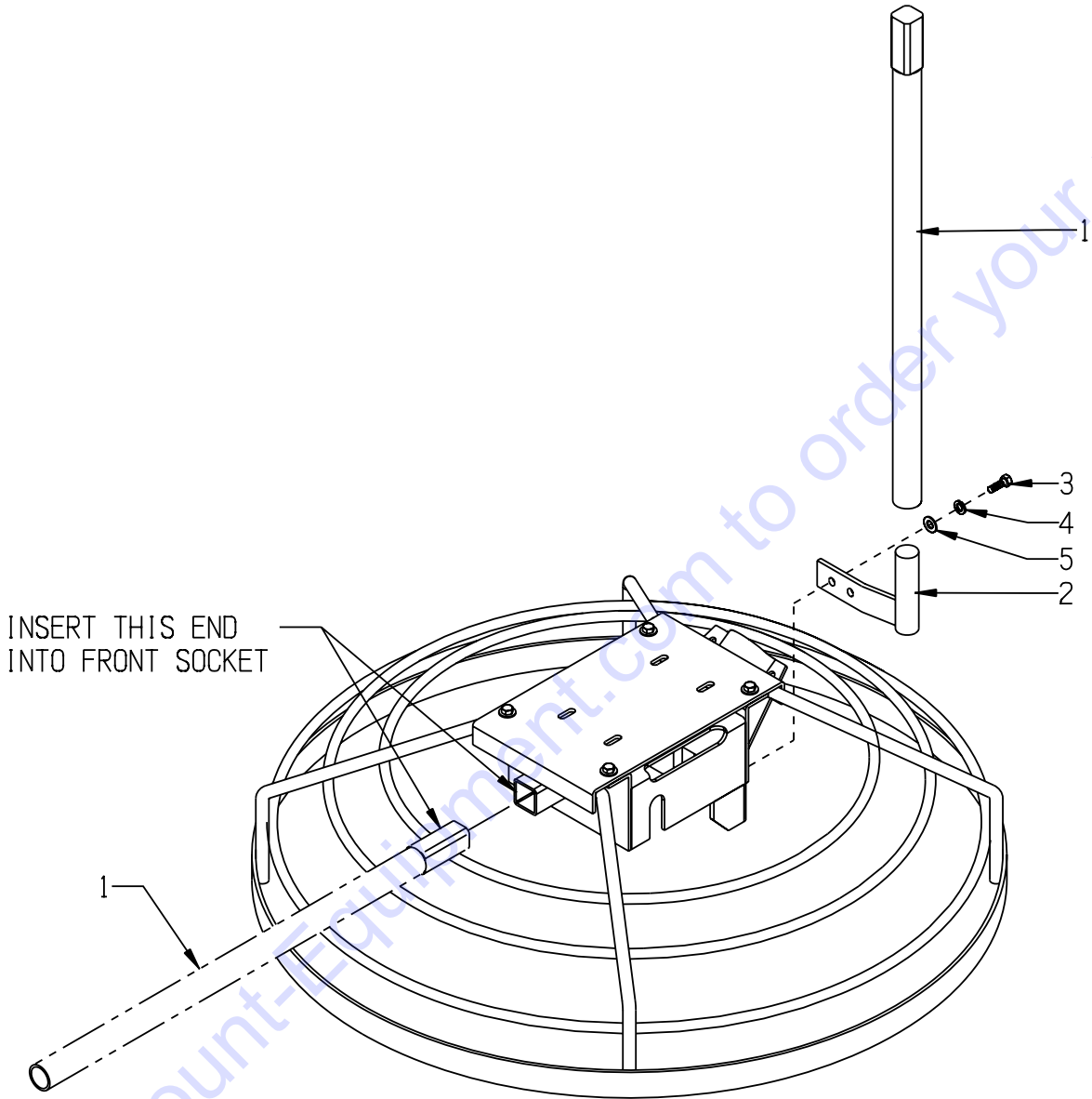
| ITEM # | PART # | DESCRIPTION | QTY. |
|--------|---------|--|------|
| 1 | 40070-C | C-3C COMBINATION TROWEL BLADE 8 X 18 | 4 |
| 2 | 40080-C | F-3C FINISH TROWEL BLADE 6 X 18 | 4 |
| 3 | 40090-C | M-3C FLOAT TROWEL BLADE 10 X 18 (SLIPS OVER FINISH BLADE) | 4 |
| 4 | 4619 | ADAPTER BAR 5/8" SQ. X 12" | 4 |
| 5 | 11639 | SCREW, SKT. HD. CAP 5/16-18 X 5/8 | 12 |
| 6 | 10606 | SCREW, HEX HD. CAP 5/16-18 X 1-1/4 | 8 |
| 7 | 10801 | WASHER, LOCK 5/16 ZINC | 20 |

**ILLUSTRATION 10:
OPTIONAL QUICK CHANGE BLADES & ADAPTERS
FOR 30", 36", & 46" TROWELS**



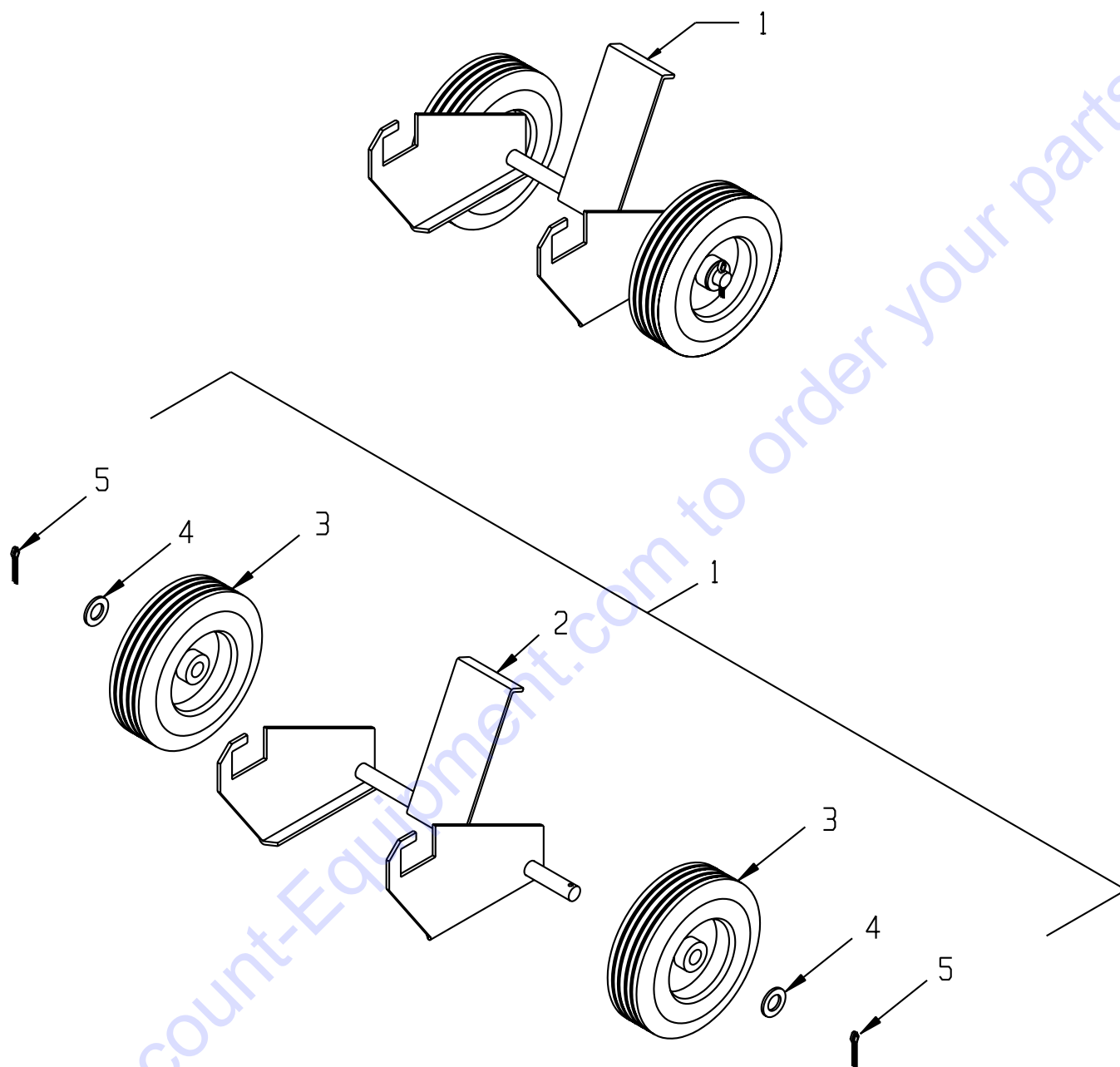
| ITEM # | PART # | DESCRIPTION | QTY. |
|--------|-------------------------|---|------|
| 1 | 40270 40040 40070 | COMBINATION BLADE (SHOWN) C-2, 8" x 11" C-1, 8" x 14" C-3, 8" x 18" | 4 |
| 1 | 40290 40060 40090 | FLOAT BLADE M-2, 9" x 11" M-1, 9" x 14" M-3, 9" x 18" | 4 |
| 1 | 40280 40050 40080 | FINISH BLADE F-2, 6" x 11" F-1, 6" x 14" F-3, 6" x 18" | 4 |
| 2 | 40197 40237 | ADAPTER COMPLETE (INCLUDES SPRINGS, ITEM 3) "A", 30" & 36" TROWEL, 10-1/16"L (SHOWN) "B", 46" TROWEL, 14-3/16"L | 4 |
| 3 | 3636 4605 | SPRING, EXTENSION 6"L ("A" ADAPTER) 11-1/2"L ("B" ADAPTER) | 8 |
| 4 | 10053 | SCREW, CAP 5/16-18 X 3/4 | 8/12 |
| 5 | 10213 | WASHER, FLAT 5/16 SAE ZINC | 8/12 |
| 6 | 10807 | NUT, HEX LOCK 5/16-18 ZINC | 8/12 |

ILLUSTRATION 11: LIFT HANDLE GROUPING



| ITEM # | PART # | DESCRIPTION | QTY. |
|--------|--------|---------------------------|------|
| 1 | 36091 | HANDLE, LIFT | 1 |
| 2 | 36092 | HOLDER, LIFT HANDLE | 1 |
| 3 | 10055 | SCREW, CAP 3/8-16 X 1 | 2 |
| 4 | 10811 | WASHER, LOCK 3/8 ZINC | 2 |
| 5 | 10025 | WASHER, FLAT 3/8 SAE ZINC | 2 |

ILLUSTRATION 12: OPTIONAL "TOTE-A-TROWEL"

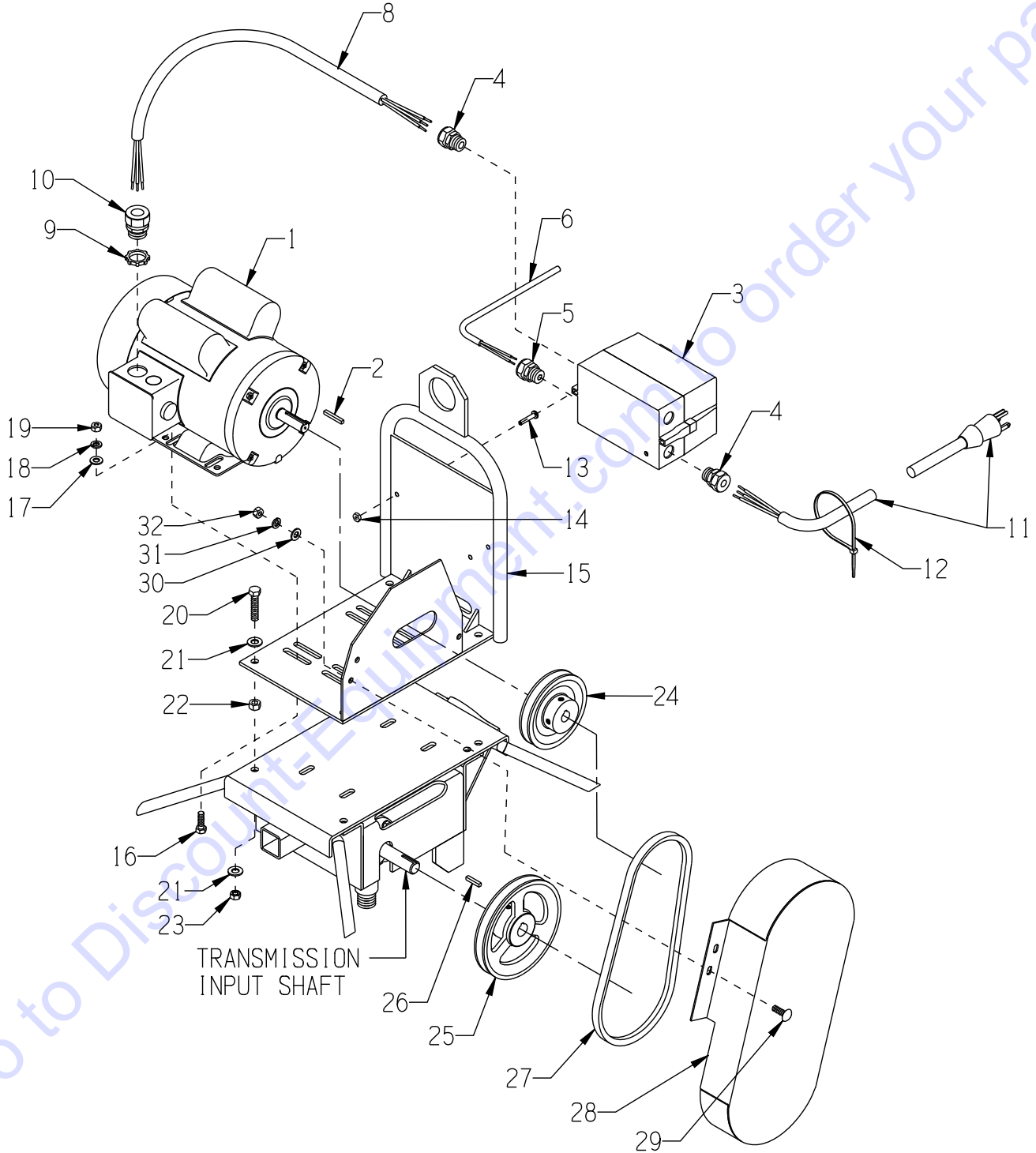


| ITEM # | PART # | DESCRIPTION | QTY. |
|--------|--------|---|------|
| 1 | 81400 | TAT-II "TOTE-A-TROWEL" TRANSPORTER (INCLUDES ITEMS 2 THRU 5) | 1 |
| 2 | 81401 | FRAME | 1 |
| 3 | 79013 | WHEEL, 8 X 2-1/2 X 3/4"BRG.POLY HUB | 2 |
| 4 | 10009 | WASHER, FLAT 3/4 SAE ZINC | 2 |
| 5 | 10306 | PIN, COTTER 3/16 X 1-1/2 | 2 |

**ILLUSTRATION 13: MOTOR GROUPING
FOR MODEL T244RS-1.5, T304RS-1.5 & T364RS-1.5**

SKU # C86400, C85100 & C85200

REDUCED SPEED SET-UP
65 RPM'S



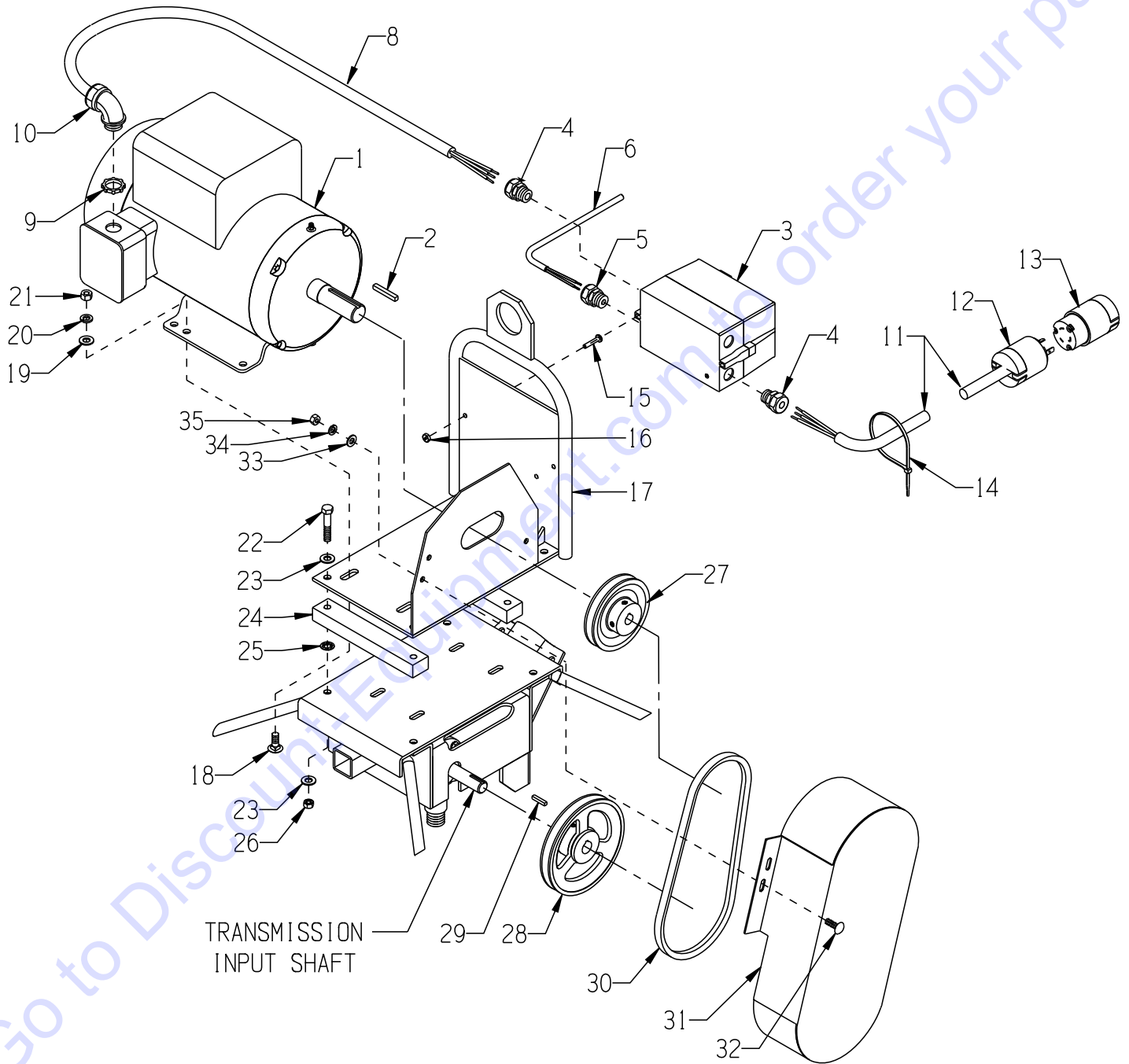
| PARTS LISTING - ILLUSTRATION 13: | | | |
|---|--------------|--|------|
| MOTOR GROUPING FOR MODEL T244RS-1.5, T304RS-1.5 & T364RS-1.5 | | | |
| ITEM # | PART # | DESCRIPTION | QTY. |
| 1 | 16077 | MOTOR, LEESON 1.5HP-1P-60HZ-1725RPM | 1 |
| | | REPLACEMENT PARTS: | |
| | 16178 | CAPACITOR, START, LEESON 003025.15, 460-552 MFD, 125V | 1 |
| | 16174 | CAPACITOR, RUN, LEESON 003014.02, 50MFD-240V | 1 |
| | 16179 | RESET BUTTON, LEESON 300033.02, CED2705 | 1 |
| 2 | ---- | KEY 3/16SQ. X 1-3/8 (INCLUDED W/ MOTOR) | 1 |
| 3 | 16601 | STARTER ACI #128929 RESET ONLY (SK18.310-120, 11.3-16.0A O/L) | 1 |
| | | REPLACEMENT PARTS: | |
| | 16616 | STARTER CONTACTOR W/ COIL ACI SK18.310-120 | 1 |
| | 16621 | STARTER AC COIL 120V-60HZ | 1 |
| | 16635 | STARTER OVERLOAD RELAY 11.3-16.0 AMP | 1 |
| 4 | 41130 | STRAIN RELIEF 1/2NPT X .550-.650" | 2 |
| 5 | 16190 | STRAIN RELIEF 1/2NPT X .250-.350" | 1 |
| 6 | 36174 | CORD WIRE 16/2 300V X 70"L (SWITCH TO STARTER) NOTE: SEE ILLUS. 3, ITEM 10. | 1 |
| 7 | - | NO ITEM | - |
| 8 | 36140 | CORD WIRE 12/3 X 30 "LOA (STARTER TO MOTOR) | 1 |
| 9 | 10740 | CONDUIT LOCK NUT 3/4 NP | 1 |
| 10 | 16176 | STRAIN RELIEF 3/4NPT X .350-.450" | 1 |
| 11 | 36137 | CORD W/ PLUG, 70" POWER (NEMA 5-15P 15A/125V) | 1 |
| 12 | 10982 | TIE, CABLE, BLACK NYLON 11-1/4" | 4 |
| 13 | 11732 | SCREW, MACHINE 10-32 X 1-3/4 RHP | 2 |
| | 10384 | SCREW, MACHINE 10-32 X 1 RHP | 1 |
| 14 | 10832 | NUT, KEPS LOCK 10-32 ZINC | 3 |
| 15 | 36139 | LIFTING BAIL/MOTOR MOUNT, TROWEL | 1 |
| 16 | 10819 | BOLT, CARRIAGE 5/16-18 X 1 FULL THD | 4 |
| 17 | 10213 | WASHER, FLAT 5/16 SAE ZINC | 4 |
| 18 | 10801 | WASHER, LOCK 5/16 ZINC | 4 |
| 19 | 10054 | NUT, HEX 5/16-18 ZINC | 4 |
| 20 | 11729 | BOLT, TAP 3/8-24 X 1-3/4(FULL THD.) | 4 |
| 21 | 10025 | WASHER, FLAT 3/8 SAE ZINC | 8 |
| 22 | 10014 | NUT, HEX 3/8-24 ZINC | 4 |
| 23 | 10004 | NUT, HEX LOCK 3/8-24 ZINC | 4 |
| 24 | 36096 | SHEAVE 4.45"OD X 1GR.A X 5/8"BORE | 1 |
| 25 | 36013 | SHEAVE 6"OD X 1GR.A X 3/4"BORE | 1 |
| 26 | 36108 | TRANS. INPUT KEY 3/16SQ X 1 (INCLUDED W/ TRANSMISSION) | 1 |
| 27 | 10259 | BELT A-29 (1/2" x 31") | 1 |
| 28 | 36141 | COVER, BELT, TROWEL (3" WIDTH AT TOP) | 1 |
| | 36072 | COVER, BELT, TROWEL (4-3/16" WIDTH AT TOP) | 1 |
| 29 | 10819 | BOLT, CARRIAGE 5/16-18 X 1 FULL THD | 3 |
| 30 | 10213 | WASHER, FLAT 5/16 SAE ZINC | 3 |
| 31 | 10801 | WASHER, LOCK 5/16 ZINC | 3 |
| 32 | 10054 | NUT, HEX 5/16-18 ZINC | 3 |



**ILLUSTRATION 14:
MOTOR GROUPING FOR MODEL T244-3, T304-3 & T364-3**

SKU # 84600, 80400 & 81300

STANDARD SPEED SET-UP
115 RPM'S



**PARTS LISTING - ILLUSTRATION 14:
MOTOR GROUPING FOR MODEL T244-3, T304-3 & T364-3**

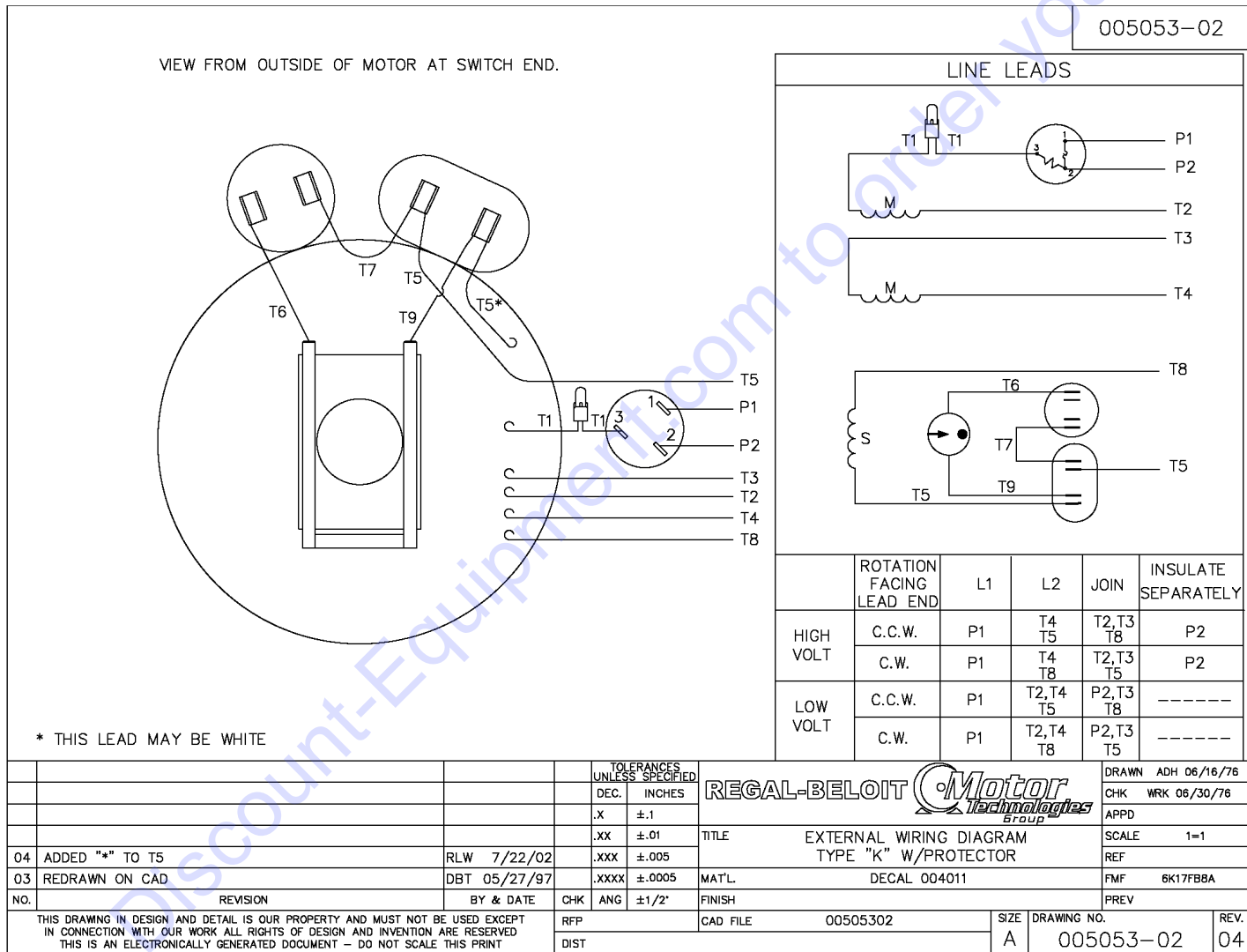
| ITEM # | PART # | DESCRIPTION | QTY. |
|--------|--------------|--|------|
| 1 | 81014 | MOTOR, BALDOR 3HP-1PH-60HZ-3450RPM | 1 |
| | 77039 | REPLACEMENT PART: CAPACITOR, START, BALDOR EC1850A06SP, 850MFD 115V | 1 |
| 2 | ---- | KEY 1/4SQ. X 1-3/4 (INCLUDED W/ MOTOR) | 1 |
| 3 | 16604 | STARTER ACI #128844 RESET ONLY 200/240V COIL 11.3-16.0A O/L | 1 |
| | 16617 | REPLACEMENT PARTS: STARTER CONTACTOR W/ COIL ACI SK18.310-230 | 1 |
| | 16622 | STARTER AC COIL 200/240V-60HZ | 1 |
| | 16635 | STARTER OVERLOAD RELAY 11.3-16.0 AMP | 1 |
| 4 | 41130 | STRAIN RELIEF 1/2NPT X .550-.650" | 2 |
| 5 | 16190 | STRAIN RELIEF 1/2NPT X .250-.350" | 1 |
| 6 | 36174 | CORD WIRE 16/2 300V X 70"L (SWITCH TO STARTER) NOTE: SEE ILLUS. 3, ITEM 10. | 1 |
| 7 | - | NO ITEM | - |
| 8 | 36148 | CORD WIRE 12/3 X 32"L (STARTER TO MOTOR) | 1 |
| 9 | 10740 | CONDUIT LOCK NUT 3/4 NP | 1 |
| 10 | 16539 | STRAIN RELIEF 90D X 3/4NPT .50-.625 | 1 |
| 11 | 36149 | CORD WIRE 12/3 X 70"L, POWER | 1 |
| 12 | 40037 | PLUG, LOCKING 20A/250V L6-20P | 1 |
| 13 | 40000 | CONNECTOR, LOCKING 20A/250V L6-20C | 1 |
| 14 | 10982 | TIE, CABLE, BLACK NYLON 11-1/4" | 4 |
| 15 | 11732 | SCREW, MACHINE 10-32 X 1-3/4 RHP | 2 |
| | 10384 | SCREW, MACHINE 10-32 X 1 RHP | 1 |
| 16 | 10832 | NUT, KEPS LOCK 10-32 ZINC | 3 |
| 17 | 36146 | LIFTING BAIL/MOTOR MOUNT, 3&5 HP | 1 |
| 18 | 10802 | BOLT, CARRIAGE 3/8-16 X 1 ZINC | 4 |
| 19 | 10025 | WASHER, FLAT 3/8 SAE ZINC | 4 |
| 20 | 10811 | WASHER, LOCK 3/8 ZINC | 4 |
| 21 | 10404 | NUT, HEX 3/8-16 ZINC | 4 |
| 22 | 10030 | SCREW, CAP 3/8-24 X 2 | 4 |
| 23 | 10025 | WASHER, FLAT 3/8 SAE ZINC | 8 |
| 24 | 36158 | SPACER, MOTOR MOUNT, 3HP TROWEL | 2 |
| 25 | 10468 | NUT, PUSH 3/8" (RETAINING CLIP) | 4 |
| 26 | 10004 | NUT, HEX LOCK 3/8-24 ZINC | 4 |
| 27 | 36147 | SHEAVE 4"OD X 1GR.A X 1-1/8"BORE | 1 |
| 28 | 36013 | SHEAVE 6"OD X 1GR.A X 3/4"BORE | 1 |
| 29 | 36108 | TRANS. INPUT KEY 3/16SQ X 1 (INCLUDED W/ TRANSMISSION) | 1 |
| 30 | 10249 | BELT AX-31 (1/2" X 33") | 1 |
| 31 | 36072 | COVER, BELT, TROWEL (4-3/16" WIDTH AT TOP) | 1 |
| 32 | 10819 | BOLT, CARRIAGE 5/16-18 X 1 FULL THD | 3 |
| 33 | 10213 | WASHER, FLAT 5/16 SAE ZINC | 3 |
| 34 | 10801 | WASHER, LOCK 5/16 ZINC | 3 |
| 35 | 10054 | NUT, HEX 5/16-18 ZINC | 3 |



| PARTS LISTING - ILLUSTRATION 15: MOTOR GROUPING FOR MODEL T464-5 | | | |
|---|--------------|--|------|
| ITEM # | PART # | DESCRIPTION | QTY. |
| 1 | 81026 | MOTOR, BALDOR 5HP-1PH 60HZ 3450RPM REPLACEMENT PARTS: | 1 |
| | 16121 | CAPACITOR, START, BALDOR EC1161C06SP | 2 |
| | 16164 | CAPACITOR, RUN, BALDOR #OC3040F09SP | 1 |
| | 16540 | THERMAL PROT. (RESET BUTTON) TPBRT25DB | 1 |
| 2 | ---- | KEY 1/4SQ. X 1-3/4 (INCLUDED W/ MOTOR) | 1 |
| 3 | 16454 | STARTER ACI #128827 RESET ONLY 200/240V COIL 17.5-21.5A O/L REPLACEMENT PARTS: | 1 |
| | 16617 | STARTER CONTACTOR W/ COIL ACI SK18.310-230 | 1 |
| | 16622 | STARTER AC COIL 200/240V-60HZ | 1 |
| | 16637 | STARTER OVERLOAD RELAY 17.5-21.5 AMP | 1 |
| 4 | 41130 | STRAIN RELIEF 1/2NPT X .550-.650" | 2 |
| 5 | 16190 | STRAIN RELIEF 1/2NPT X .250-.350" | 1 |
| 6 | 36174 | CORD WIRE 16/2 300V X 70"L (SWITCH TO STARTER) NOTE: SEE ILLUS. 3, ITEM 10. | 1 |
| 7 | - | NO ITEM | - |
| 8 | 36148 | CORD WIRE 12/3 X 32"L (STARTER TO MOTOR) | 1 |
| 9 | 10740 | CONDUIT LOCK NUT 3/4 NP | 1 |
| 10 | 16539 | STRAIN RELIEF 90D X 3/4NPT .50-.625 | 1 |
| 11 | 36149 | CORD WIRE 12/3 X 70"L, POWER | 1 |
| 12 | 40037 | PLUG, LOCKING 20A/250V L6-20P | 1 |
| 13 | 40000 | CONNECTOR, LOCKING 20A/250V L6-20C | 1 |
| 14 | 10982 | TIE, CABLE, BLACK NYLON 11-1/4" | 4 |
| 15 | 11732 | SCREW, MACHINE 10-32 X 1-3/4 RHP | 2 |
| | 10384 | SCREW, MACHINE 10-32 X 1 RHP | 1 |
| 16 | 10832 | NUT, KEPS LOCK 10-32 ZINC | 3 |
| 17 | 36146 | LIFTING BAIL/MOTOR MOUNT, 3&5 HP | 1 |
| 18 | 10802 | BOLT, CARRIAGE 3/8-16 X 1 ZINC | 4 |
| 19 | 10025 | WASHER, FLAT 3/8 SAE ZINC | 4 |
| 20 | 10811 | WASHER, LOCK 3/8 ZINC | 4 |
| 21 | 10404 | NUT, HEX 3/8-16 ZINC | 4 |
| 22 | 11729 | BOLT, TAP 3/8-24 X 1-3/4(FULL THD.) | 4 |
| 23 | 10025 | WASHER, FLAT 3/8 SAE ZINC | 8 |
| 24 | 11725 | NUT, HEX JAM 3/8-24 ZINC | 4 |
| 25 | 10004 | NUT, HEX LOCK 3/8-24 ZINC | 4 |
| 26 | 79023 | SHEAVE 3"OD X 2GR.B X 1-1/8"BORE | 1 |
| 27 | 77058 | SHEAVE 5"OD X 2GR.B X 3/4"BORE | 1 |
| 28 | 36108 | TRANS. INPUT KEY 3/16SQ X 1 (INCLUDED W/ TRANSMISSION) | 1 |
| 29 | 10234 | BELT 5L-290 (21/32" X 29") | 2 |
| 30 | 36072 | COVER, BELT, TROWEL (4-3/16" WIDTH) | 1 |
| 31 | 10819 | BOLT, CARRIAGE 5/16-18 X 1 FULL THD | 3 |
| 32 | 10213 | WASHER, FLAT 5/16 SAE ZINC | 3 |
| 33 | 10801 | WASHER, LOCK 5/16 ZINC | 3 |
| 34 | 10054 | NUT, HEX 5/16-18 ZINC | 3 |

WIRING DIAGRAM FOR LEESON 1.5 HP MOTOR

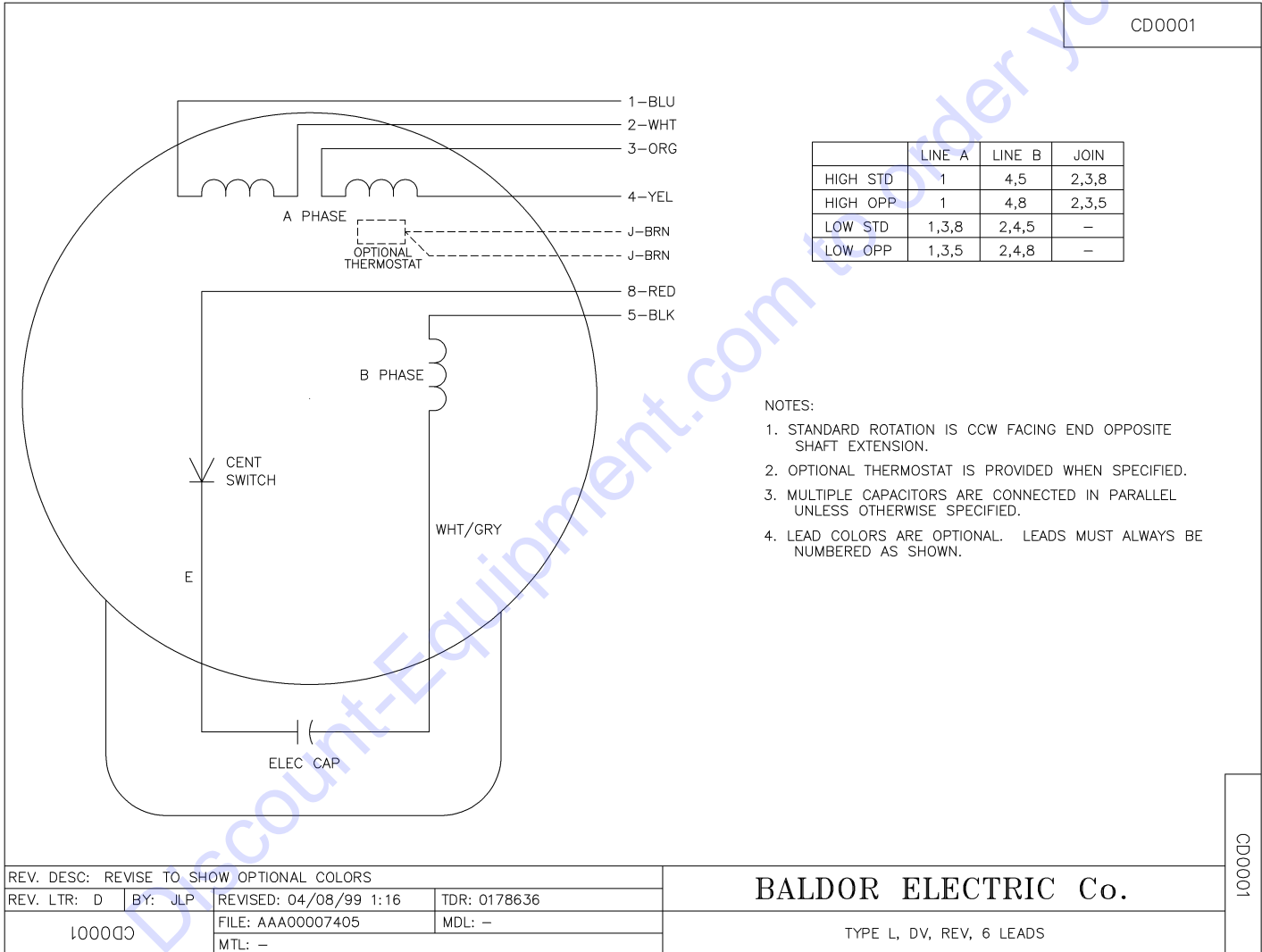
LEESON CAT. NO. 113769.00
 1.5 H.P., 1 PHASE, 60 HERTZ, 1725 RPM,
 115 VOLT, 13.0 FULL LOAD AMPS



WIRING DIAGRAM FOR BALDOR 3 HP MOTOR

BALDOR CAT. NO. L3606T
 3 H.P., 1 PHASE, 60 HERTZ, 3450 RPM,
 230 VOLT, 14.5 FULL LOAD AMPS

CD0001



| | | | |
|---|---------|------------------------|--------------|
| REV. DESC: REVISE TO SHOW OPTIONAL COLORS | | | |
| REV. LTR: D | BY: JLP | REVISED: 04/08/99 1:16 | TDR: 0178636 |
| 100000 | | FILE: AAA00007405 | MDL: - |
| | | MTL: - | |

BALDOR ELECTRIC Co.

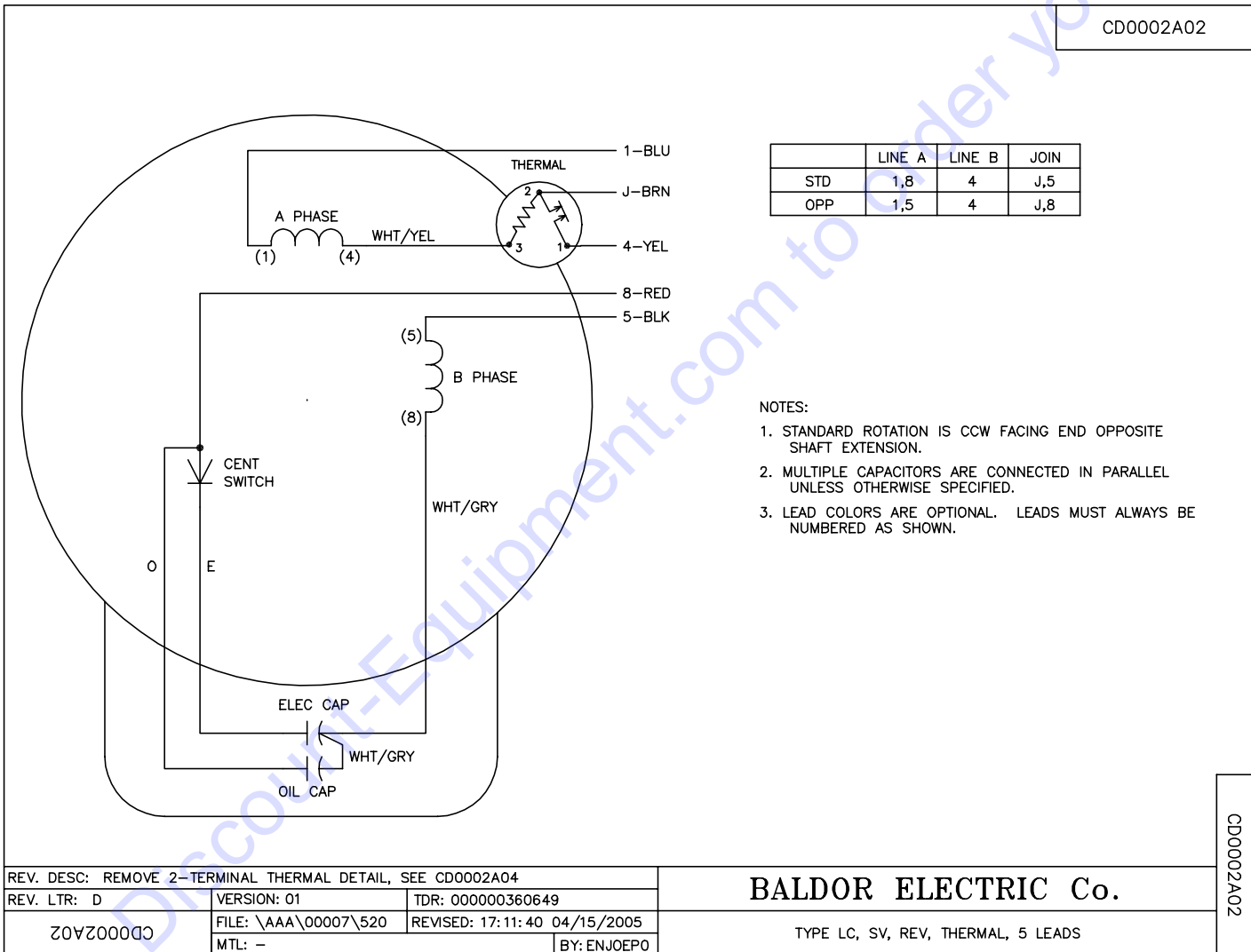
TYPE L, DV, REV, 6 LEADS

CD0001

WIRING DIAGRAM FOR BALDOR 5 HP MOTOR

BALDOR CAT. NO. L3608TM
 5 H.P., 1 PHASE, 60 HERTZ, 3450 RPM,
 230 VOLT, 19.5 FULL LOAD AMPS

CD0002A02



CD0002A02

| | | |
|--|----------------------|------------------------------|
| REV. DESC: REMOVE 2-TERMINAL THERMAL DETAIL, SEE CD0002A04 | | |
| REV. LTR: D | VERSION: 01 | TDR: 000000360649 |
| CD0002A02 | FILE: \AAA\00007\520 | REVISED: 17:11:40 04/15/2005 |
| | MTL: - | BY: ENJOEPO |

BALDOR ELECTRIC Co.

TYPE LC, SV, REV, THERMAL, 5 LEADS



PARTS FINDER

**Search Website
by Part Number**



**Search Manual
Library For Parts
Manual & Lookup Part
Numbers – Purchase
or Request Quote**

Search Manuals

Enter your information to help us find the right parts manual for your machine.

* Brand:

* Model:

* Serial:

* Part Number:

SEARCH

**Can't Find Part or
Manual? Request Help
by Manufacturer,
Model & Description**

Parts Order Form

Please fill in the following information to help us find the right part for your machine.

| | |
|---------------|----------------------|
| Manufacturer: | <input type="text"/> |
| Model: | <input type="text"/> |
| Description: | <input type="text"/> |
| Part Number: | <input type="text"/> |
| Quantity: | <input type="text"/> |
| Notes: | <input type="text"/> |

Submit

Discount-Equipment.com is your online resource for quality parts & equipment.

Florida: **561-964-4949** Outside Florida TOLL FREE: **877-690-3101**

Need parts?

Click on this link: <http://www.discount-equipment.com/category/5443-parts/> and choose one of the options to help get the right parts and equipment you are looking for. Please have the machine model and serial number available in order to help us get you the correct parts. If you don't find the part on the website or on one of the online manuals, please fill out the request form and one of our experienced staff members will get back to you with a quote for the right part that your machine needs.

We sell worldwide for the brands: Genie, Terex, JLG, MultiQuip, Mikasa, Essick, Whiteman, Mayco, Toro Stone, Diamond Products, Generac Magnum, Airman, Haulotte, Barreto, Power Blanket, Nifty Lift, Atlas Copco, Chicago Pneumatic, Allmand, Miller Curber, Skyjack, Lull, Skytrak, Tsurumi, Husquvarna Target, Stow, Wacker, Sakai, Mi-T-M, Sullair, Basic, Dynapac, MBW, Weber, Bartell, Bennar Newman, Haulotte, Ditch Runner, Menegotti, Morrison, Contec, Buddy, Crown, Edco, Wyco, Bomag, Laymor, EZ Trench, Bil-Jax, F.S. Curtis, Gehl Pavers, Heli, Honda, ICS/PowerGrit, IHI, Partner, Imer, Clipper, MMD, Koshin, Rice, CH&E, General Equipment, Amida, Coleman, NAC, Gradall, Square Shooter, Kent, Stanley, Tamco, Toku, Hatz, Kohler, Robin, Wisconsin, Northrock, Oztec, Toker TK, Rol-Air, APT, Wylie, Ingersoll Rand / Doosan, Innovatech, Con X, Ammann, Mecalac, Makinex, Smith Surface Prep, Small Line, Wanco, Yanmar