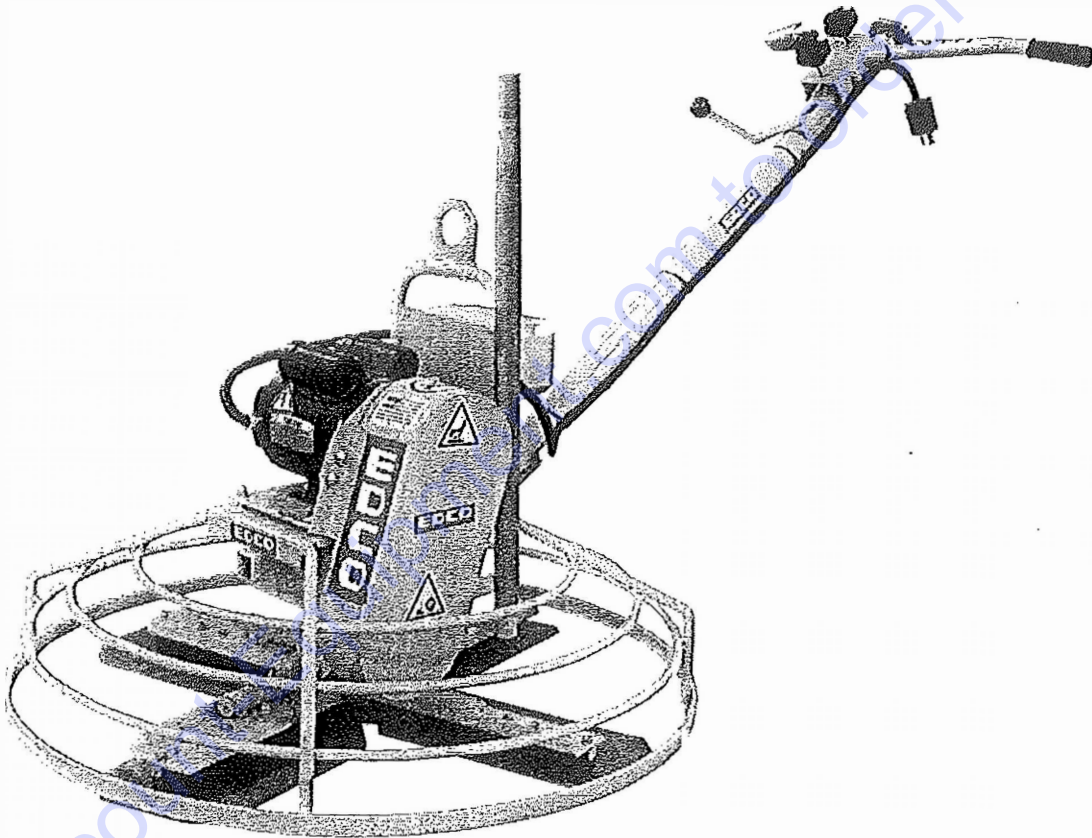


PARTS LIST ADDENDUM
FOR
ELECTRIC POWER TROWEL

REVISED MOTOR GROUPINGS



A Division of Equipment Development Company, Inc.

PARTS FINDER

**Search Website
by Part Number**



**Search Manual
Library For Parts
Manual & Lookup Part
Numbers – Purchase
or Request Quote**

Search Manuals

Enter your information to help us find the right parts manual for your machine.

* Brand:

* Model:

* Serial:

* Part Number:

SEARCH

**Can't Find Part or
Manual? Request Help
by Manufacturer,
Model & Description**

Parts Order Form

Please fill in the following information to help us find the right part for your machine.

Manufacturer:	<input type="text"/>
Model:	<input type="text"/>
Description:	<input type="text"/>
Part Number:	<input type="text"/>
Quantity:	<input type="text"/>
Notes:	<input type="text"/>

Submit

Discount-Equipment.com is your online resource for quality parts & equipment.

Florida: **561-964-4949** Outside Florida TOLL FREE: **877-690-3101**

Need parts?

Click on this link: <http://www.discount-equipment.com/category/5443-parts/> and choose one of the options to help get the right parts and equipment you are looking for. Please have the machine model and serial number available in order to help us get you the correct parts. If you don't find the part on the website or on one of the online manuals, please fill out the request form and one of our experienced staff members will get back to you with a quote for the right part that your machine needs.

We sell worldwide for the brands: Genie, Terex, JLG, MultiQuip, Mikasa, Essick, Whiteman, Mayco, Toro Stone, Diamond Products, Generac Magnum, Airman, Haulotte, Barreto, Power Blanket, Nifty Lift, Atlas Copco, Chicago Pneumatic, Allmand, Miller Curber, Skyjack, Lull, Skytrak, Tsurumi, Husquvarna Target, Stow, Wacker, Sakai, Mi-T-M, Sullair, Basic, Dynapac, MBW, Weber, Bartell, Bennar Newman, Haulotte, Ditch Runner, Menegotti, Morrison, Contec, Buddy, Crown, Edco, Wyco, Bomag, Laymor, EZ Trench, Bil-Jax, F.S. Curtis, Gehl Pavers, Heli, Honda, ICS/PowerGrit, IHI, Partner, Imer, Clipper, MMD, Koshin, Rice, CH&E, General Equipment, Amida, Coleman, NAC, Gradall, Square Shooter, Kent, Stanley, Tamco, Toku, Hatz, Kohler, Robin, Wisconsin, Northrock, Oztec, Toker TK, Rol-Air, APT, Wylie, Ingersoll Rand / Doosan, Innovatech, Con X, Ammann, Mecalac, Makinex, Smith Surface Prep, Small Line, Wanco, Yanmar

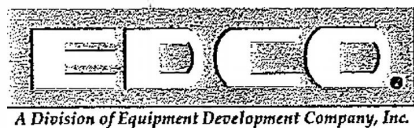
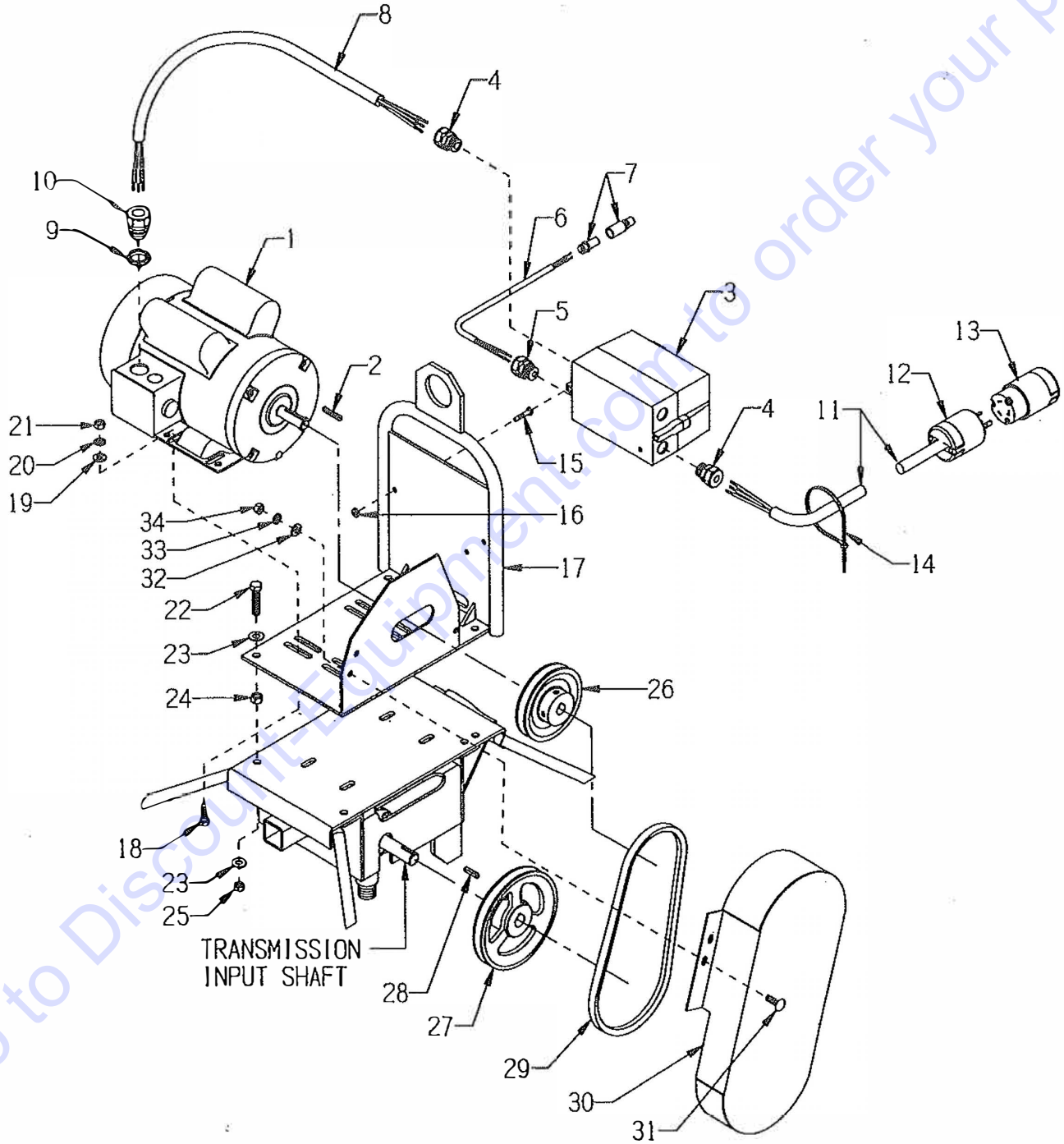
PARTS LIST

MOTOR GROUPING FOR MODEL T244RS-1.5 & T304RS-1.5

SKU # C86400 & C85100

REVISED STARTING SERIAL # 120210048

REDUCED SPEED SET-UP
65 RPM'S



PARTS LISTING - MOTOR GROUPING FOR MODEL T244RS-1.5 & T304RS-1.5			
ITEM #	PART #	DESCRIPTION	QTY.
1	16077	MOTOR, LEESON 1.5HP-1P-60HZ-1725RPM	1
	16178	REPLACEMENT PARTS: CAPACITOR, START, LEESON 003025.15, 460-552 MFD, 125V	1
	16174	CAPACITOR, RUN, LEESON 003014.02, 50MFD-240V	1
	16179	RESET BUTTON, LEESON 300033.02, CED2705	1
2	—	KEY 3/16SQ. X 1-3/8 (INCLUDED W/ MOTOR)	1
3	16601	STARTER ACI #128929 RESET ONLY (SK18.310-120, 11.3-16.0A O/L)	1
	16616	REPLACEMENT PARTS: STARTER CONTACTOR W/ COIL ACI SK18.310-120	1
	16621	STARTER AC COIL 120V-60HZ	1
	16635	STARTER OVERLOAD RELAY 11.3-16.0 AMP	1
4	41130	STRAIN RELIEF 1/2NPT X .550-.650"	2
5	16190	STRAIN RELIEF 1/2NPT X .250-.350"	1
6	36138	CORD WIRE 16/2 X 15"L (STARTER TO CONNECTOR)	1
7	36131	CONNECTOR PLUG, SEALED 246-4402	1
	36132	CONNECTOR RECEPT, SEALED 246-4414	1
	36133	CONTACT, PIN 246-4424	2
	36134	CONTACT, SOCKET 246-4428	2
8	36140	CORD WIRE 12/3 X 30 "LOA (STARTER TO MOTOR)	1
9	10740	CONDUIT LOCK NUT 3/4 NP	1
10	16176	STRAIN RELIEF 3/4NPT X .350-.450"	1
11	36137	CORD WIRE 12/3 X 62"L, POWER	1
12	40042	PLUG, LOCKING 20A/125V L5-20P	1
13	40041	CONNECTOR, LOCKING 20A/125V L5-20C	1
14	10982	TIE, CABLE, BLACK NYLON 11-1/4"	4
15	11732	SCREW, MACHINE 10-32 X 1-3/4 RPH	2
	10384	SCREW, MACHINE 10-32 X 1 RHP	1
16	10832	NUT, KEPS LOCK 10-32 ZINC	3
17	36139	LIFTING BAIL/MOTOR MOUNT, TROWEL	1
18	10819	BOLT, CARRIAGE 5/16-18 X 1 FULL THD	4
19	10213	WASHER, FLAT 5/16 SAE ZINC	4
20	10801	WASHER, LOCK 5/16 ZINC	4
21	10054	NUT, HEX 5/16-18 ZINC	4
22	11729	BOLT, TAP 3/8-24 X 1-3/4(FULL THD.)	4
23	10025	WASHER, FLAT 3/8 SAE ZINC	8
24	10014	NUT, HEX 3/8-24 ZINC	4
25	10004	NUT, HEX LOCK 3/8-24 ZINC	4
26	36096	SHEAVE 4.45"OD X 1GR.A X 5/8"BORE	1
27	36013	SHEAVE 6"OD X 1GR.A X 3/4"BORE	1
28	36108	TRANS. INPUT KEY 3/16SQ X 1 (INCLUDED W/ TRANSMISSION)	1
29	10259	BELT A-29	1
30	36141	COVER, BELT, TROWEL (3" WIDTH AT TOP)	1
	36072	COVER, BELT, TROWEL (4-3/16" WIDTH AT TOP)	1
31	10819	BOLT, CARRIAGE 5/16-18 X 1 FULL THD	3
32	10213	WASHER, FLAT 5/16 SAE ZINC	3
33	10801	WASHER, LOCK 5/16 ZINC	3
34	10054	NUT, HEX 5/16-18 ZINC	3

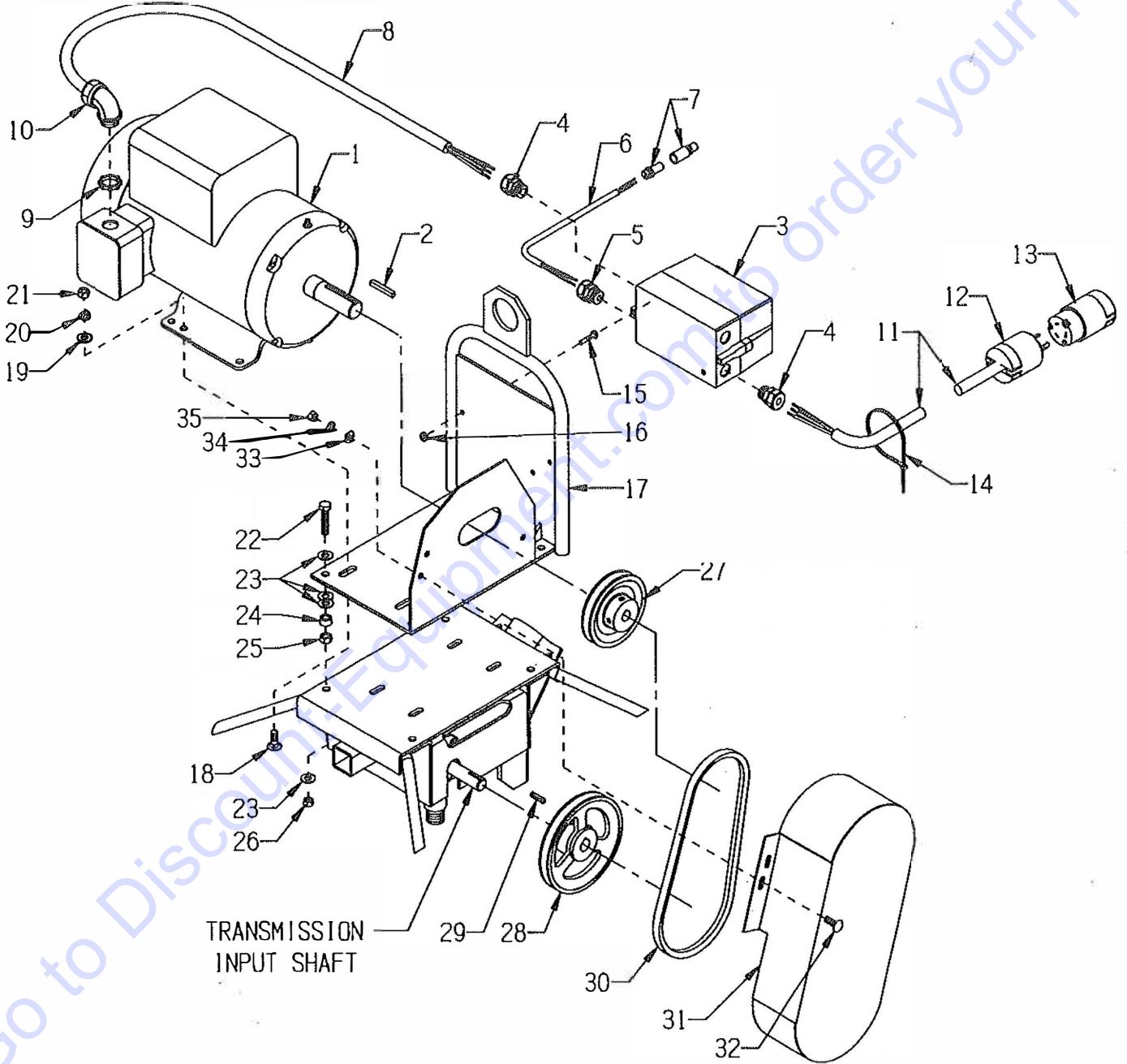
PARTS LIST

MOTOR GROUPING FOR MODEL T364-3

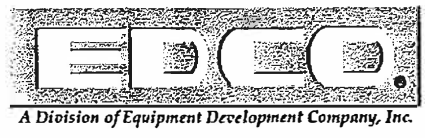
SKU # 81300

REVISED STARTING SERIAL # 120110115

STANDARD SPEED SET-UP
115 RPM'S



TRANSMISSION
INPUT SHAFT



PARTS LISTING - MOTOR GROUPING FOR MODEL T364-3			
ITEM #	PART #	DESCRIPTION	QTY.
1	81014	MOTOR, BALDOR 3HP-1PH-60HZ-3450RPM	1
	77039	REPLACEMENT PART: CAPACITOR, START, BALDOR EC1850A06SP, 850MFD 115V	1
2	—	KEY 1/4SQ. X 1-3/4 (INCLUDED W/ MOTOR)	1
3	16604	STARTER ACI #128844 RESET ONLY 200/240V COIL 11.3-16.0A O/L	1
	16617	REPLACEMENT PARTS: STARTER CONTACTOR W/ COIL ACI SK18.310-230	1
	16622	STARTER AC COIL 200/240V-60HZ	1
	16635	STARTER OVERLOAD RELAY 11.3-16.0 AMP	1
4	41130	STRAIN RELIEF 1/2NPT X .550-.650"	2
5	16190	STRAIN RELIEF 1/2NPT X .250-.350"	1
6	36138	CORD WIRE 16/2 X 15"L (STARTER TO CONNECTOR)	1
7	36131	CONNECTOR PLUG, SEALED 246-4402	1
	36132	CONNECTOR RECEPT., SEALED 246-4414	1
	36133	CONTACT, PIN 246-4424	2
	36134	CONTACT, SOCKET 246-4428	2
8	36148	CORD WIRE 10/3 X 32"L (STARTER TO MOTOR)	1
9	10740	CONDUIT LOCK NUT 3/4 NP	1
10	16539	STRAIN RELIEF 90D X 3/4NPT .50-.625	1
11	36149	CORD WIRE 10/3 X 70"L, POWER	1
12	40037	PLUG, LOCKING 20A/250V L6-20P	1
13	40000	CONNECTOR, LOCKING 20A/250V L6-20C	1
14	10982	TIE, CABLE, BLACK NYLON 11-1/4"	4
15	11732	SCREW, MACHINE 10-32 X 1-3/4 RPH	2
	10384	SCREW, MACHINE 10-32 X 1 RHP	1
16	10832	NUT, KEPS LOCK 10-32 ZINC	3
17	36146	LIFTING BAIL/MOTOR MOUNT, 3&5 HP	1
18	10802	BOLT, CARRIAGE 3/8-16 X 1 ZINC	4
19	10025	WASHER, FLAT 3/8 SAE ZINC	4
20	10811	WASHER, LOCK 3/8 ZINC	4
21	10404	NUT, HEX 3/8-16 ZINC	4
22	11729	BOLT, TAP 3/8-24 X 1-3/4(FULL THD.)	4
23	10025	WASHER, FLAT 3/8 SAE ZINC	16
24	10011	SPACER, STEEL 5/8OD X 3/8ID X 3/8T	4
25	10014	NUT, HEX 3/8-24 ZINC	4
26	10004	NUT, HEX LOCK 3/8-24 ZINC	4
27	36147	SHEAVE 4"OD X 1GR.A X 1-1/8"BORE	1
28	36013	SHEAVE 6"OD X 1GR.A X 3/4"BORE	1
29	36108	TRANS. INPUT KEY 3/16SQ X 1 (INCLUDED W/ TRANSMISSION)	1
30	10249	BELT AX-31	2
31	36072	COVER, BELT, TROWEL (4-3/16" WIDTH)	1
32	10819	BOLT, CARRIAGE 5/16-18 X 1 FULL THD	3
33	10213	WASHER, FLAT 5/16 SAE ZINC	3
34	10801	WASHER, LOCK 5/16 ZINC	3
35	10054	NUT, HEX 5/16-18 ZINC	3

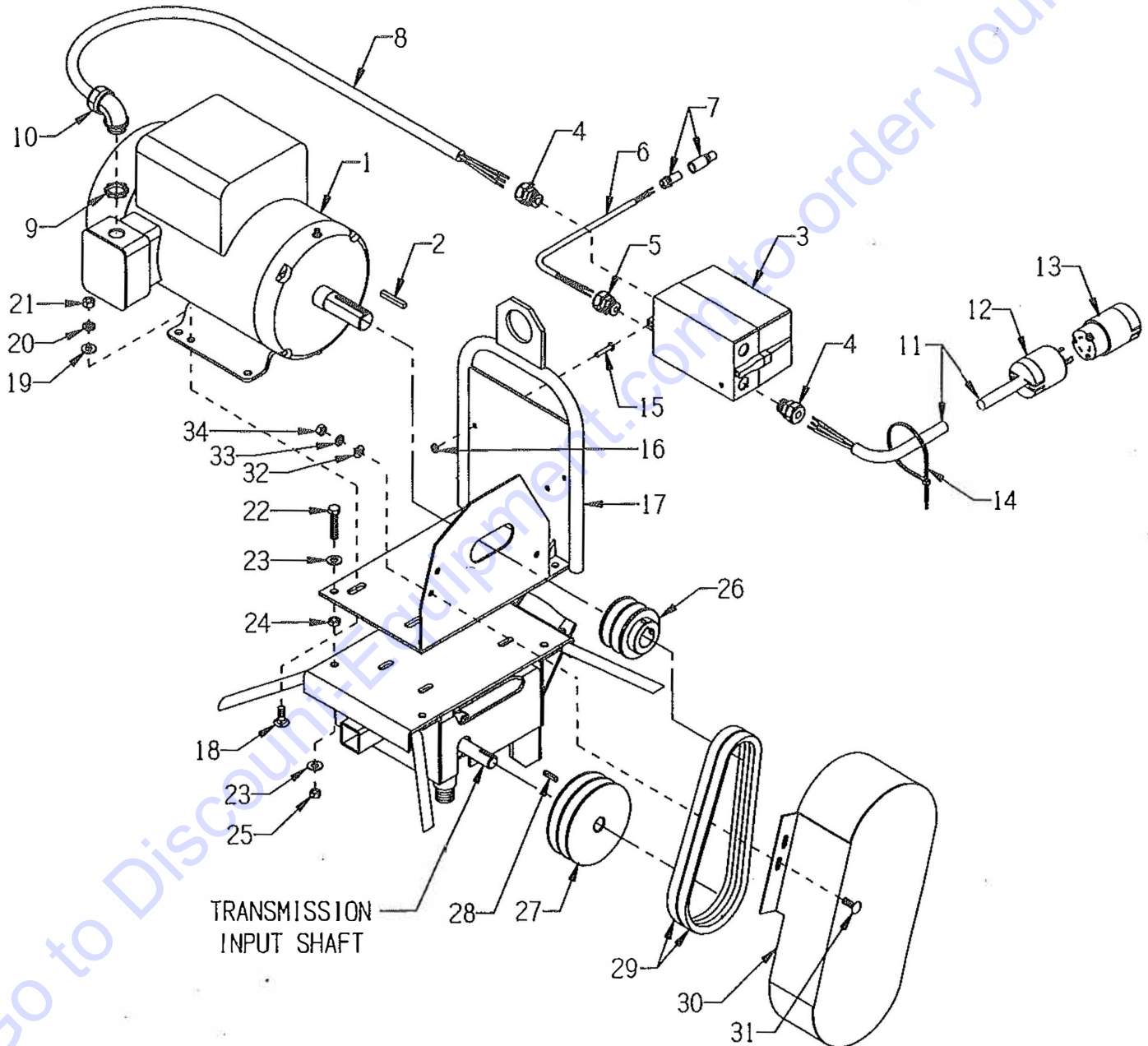
PARTS LIST

MOTOR GROUPING FOR MODEL T464-5

SKU # 81200

REVISED STARTING SERIAL # 120210058

STANDARD SPEED SET-UP
105 RPM'S



PARTS LISTING - MOTOR GROUPING FOR MODEL T464-5			
ITEM #	PART #	DESCRIPTION	QTY.
1	81026	MOTOR, BALDOR 5HP-1PH 60HZ 3450RPM REPLACEMENT PARTS:	1
	16121	CAPACITOR, START, BALDOR EC1161C06SP	2
	16164	CAPACITOR, RUN, BALDOR #OC3040F09SP	1
	16540	THERMAL PROT. (RESET BUTTON) TPBRT25DB	1
2	—	KEY 1/4SQ. X 1-3/4 (INCLUDED W/ MOTOR)	1
3	16454	STARTER ACI #128827 RESET ONLY 200/240V COIL 17.5-21.5A O/L REPLACEMENT PARTS:	1
	16617	STARTER CONTACTOR W/ COIL ACI SK18.310-230	1
	16622	STARTER AC COIL 200/240V-60HZ	1
	16637	STARTER OVERLOAD RELAY 17.5-21.5 AMP	1
4	41130	STRAIN RELIEF 1/2NPT X .550-.650"	2
5	16190	STRAIN RELIEF 1/2NPT X .250-.350"	1
6	36138	CORD WIRE 16/2 X 15"L (STARTER TO CONNECTOR)	1
7	36131	CONNECTOR PLUG, SEALED 246-4402	1
	36132	CONNECTOR RECEPT., SEALED 246-4414	1
	36133	CONTACT, PIN 246-4424	2
	36134	CONTACT, SOCKET 246-4428	2
8	36148	CORD WIRE 10/3 X 32"L (STARTER TO MOTOR)	1
9	10740	CONDUIT LOCK NUT 3/4 NP	1
10	16539	STRAIN RELIEF 90D X 3/4NPT .50-.625	1
11	36149	CORD WIRE 10/3 X 70"L, POWER	1
12	40037	PLUG, LOCKING 20A/250V L6-20P	1
13	40000	CONNECTOR, LOCKING 20A/250V L6-20C	1
14	10982	TIE, CABLE, BLACK NYLON 11-1/4"	4
15	11732	SCREW, MACHINE 10-32 X 1-3/4 RPH	2
	10384	SCREW, MACHINE 10-32 X 1 RHP	1
16	10832	NUT, KEPS LOCK 10-32 ZINC	3
17	36146	LIFTING BAIL/MOTOR MOUNT, 3&5 HP	1
18	10802	BOLT, CARRIAGE 3/8-16 X 1 ZINC	4
19	10025	WASHER, FLAT 3/8 SAE ZINC	4
20	10811	WASHER, LOCK 3/8 ZINC	4
21	10404	NUT, HEX 3/8-16 ZINC	4
22	11729	BOLT, TAP 3/8-24 X 1-3/4(FULL THD.)	4
23	10025	WASHER, FLAT 3/8 SAE ZINC	8
24	11725	NUT, HEX JAM 3/8-24 ZINC	4
25	10004	NUT, HEX LOCK 3/8-24 ZINC	4
26	79023	SHEAVE 3"OD X 2GR.B X 1-1/8"BORE	1
27	77058	SHEAVE 5"OD X 2GR.B X 3/4"BORE	1
28	36108	TRANS. INPUT KEY 3/16SQ X 1 (INCLUDED W/ TRANSMISSION)	1
29	10234	BELT 5L-290 (21/32" X 29")	2
30	36072	COVER, BELT, TROWEL (4-3/16" WIDTH)	1
31	10819	BOLT, CARRIAGE 5/16-18 X 1 FULL THD	3
32	10213	WASHER, FLAT 5/16 SAE ZINC	3
33	10801	WASHER, LOCK 5/16 ZINC	3
34	10054	NUT, HEX 5/16-18 ZINC	3



A Division of Equipment Development Company, Inc.

Printed in USA

©2012

Page 7

PARTS FINDER

**Search Website
by Part Number**



**Search Manual
Library For Parts
Manual & Lookup Part
Numbers – Purchase
or Request Quote**

Search Manuals

Enter your information to help us find the right parts manual for your machine.

* Brand:

* Model:

* Serial:

* Part Number:

SEARCH

**Can't Find Part or
Manual? Request Help
by Manufacturer,
Model & Description**

Parts Order Form

Please fill in the following information to help us find the right part for your machine.

MANUFACTURER:

MODEL:

DESCRIPTION:

SEARCH

Discount-Equipment.com is your online resource for quality parts & equipment.

Florida: **561-964-4949** Outside Florida TOLL FREE: **877-690-3101**

Need parts?

Click on this link: <http://www.discount-equipment.com/category/5443-parts/> and choose one of the options to help get the right parts and equipment you are looking for. Please have the machine model and serial number available in order to help us get you the correct parts. If you don't find the part on the website or on one of the online manuals, please fill out the request form and one of our experienced staff members will get back to you with a quote for the right part that your machine needs.

We sell worldwide for the brands: Genie, Terex, JLG, MultiQuip, Mikasa, Essick, Whiteman, Mayco, Toro Stone, Diamond Products, Generac Magnum, Airman, Haulotte, Barreto, Power Blanket, Nifty Lift, Atlas Copco, Chicago Pneumatic, Allmand, Miller Curber, Skyjack, Lull, Skytrak, Tsurumi, Husquvarna Target, Stow, Wacker, Sakai, Mi-T-M, Sullair, Basic, Dynapac, MBW, Weber, Bartell, Bennar Newman, Haulotte, Ditch Runner, Menegotti, Morrison, Contec, Buddy, Crown, Edco, Wyco, Bomag, Laymor, EZ Trench, Bil-Jax, F.S. Curtis, Gehl Pavers, Heli, Honda, ICS/PowerGrit, IHI, Partner, Imer, Clipper, MMD, Koshin, Rice, CH&E, General Equipment, Amida, Coleman, NAC, Gradall, Square Shooter, Kent, Stanley, Tamco, Toku, Hatz, Kohler, Robin, Wisconsin, Northrock, Oztec, Toker TK, Rol-Air, APT, Wylie, Ingersoll Rand / Doosan, Innovatech, Con X, Ammann, Mecalac, Makinex, Smith Surface Prep, Small Line, Wanco, Yanmar