



GB43SC

Hitch Adapter Installation Instructions



www.Discount-Equipment.com

The following instructions are intended to assist the user in the installation of the Hitch Adapter to the GB43SC GloBug Cart. Please read all assembly instructions before installation.

REQUIRED TOOLS

- 3/8" Ratchet with socket set.

PARTS

Verify that all parts are accounted for. See Figure 1 and Table 1.

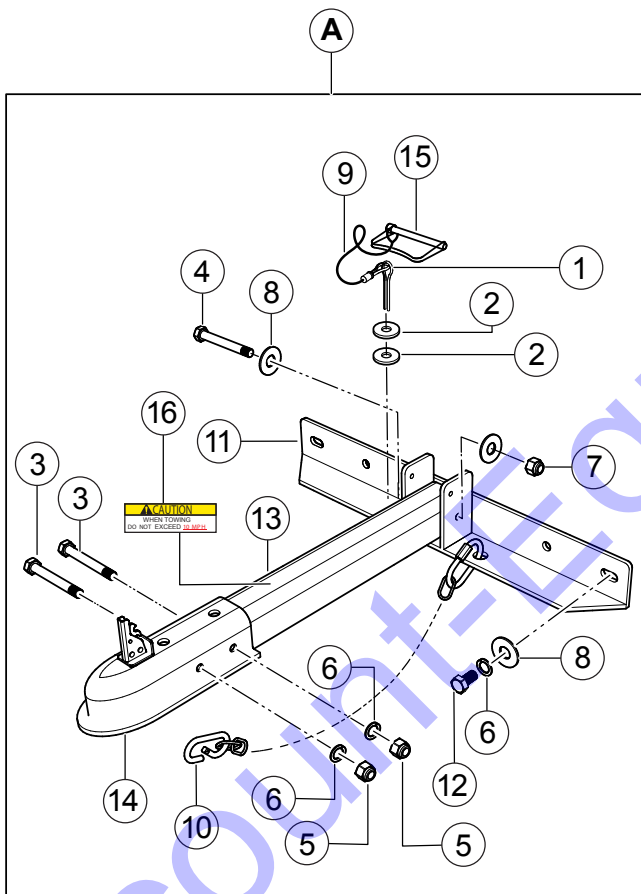


Figure 1. Hitch Adapter Assy

Table 1. Hitch Adapter Parts

Item No.	Part No.	Description	QTY.	Remarks
A	49507	Assy, Hitch Adapter	1	Includes items 1-15
1	0183	Pin, Cotter 1/8D x 1 1/4	1	
2	2203	Washer, Flat #10	2	
3	2549	Screw, HHC 1/2-13 x 3	2	
4	3215	Screw, HHC 1/2-13 x 3-1/2	1	
5	3528	Nut, Hex Finish 1/2-13 NP	2	
6	5054 A	Washer, Lock 1/2 Med	6	
7	10176	Nut, Nyloc 1/2-13	1	
8	13211	Washer, Flat 1/2 USS	6	
9	19484	Lanyard 10"	1	
10	19975	Chain Assy, Safety 7600 lb	1	
11	49513	Hitch Adapter W/A	1	
12	49515	Screw, HHC M12-1.75x25	4	
13	49519	Tongue, Hitch Adapter	1	
14	49520	Hitch, Ball, 2" Ball, 2.5" Tube	1	
15	49521	Pin, Hitch, Wire Lock, 5/16" Dia. x 3	1	
16	49545	Decal, Towing Caution	1	

WORK SAFELY!

Only a person with proper training should perform this installation. Follow all safety rules when performing this installation.

PREPARATION

1. Place the GB43SC cart in an area free of dirt and debris. Make sure it is on secure level ground.
2. Apply the parking brake. For additional safety, use chock blocks underneath each wheel to prevent the cart from rolling.

INSTALLATION

1. On the front end of the cart, install the hitch adapter with the associated hardware as shown in Figure 2.

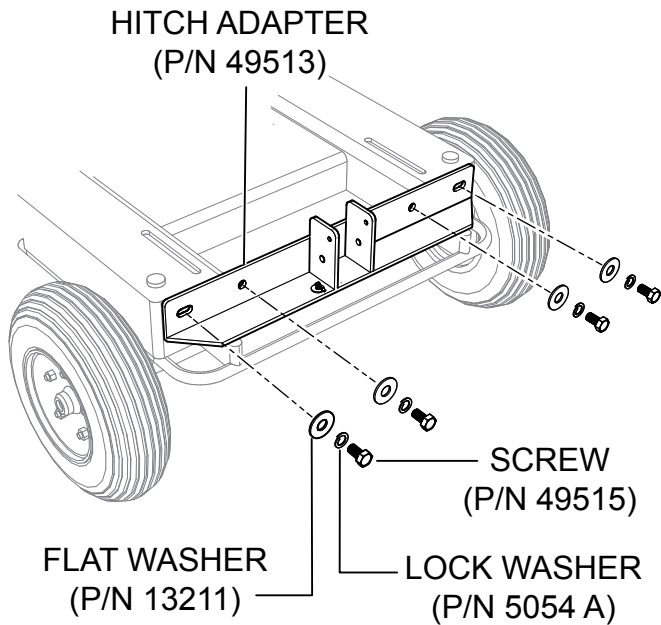


Figure 2. Hitch Adapter Installation

2. Install the tongue into the hitch adapter with the associated hardware as shown in Figure 3.

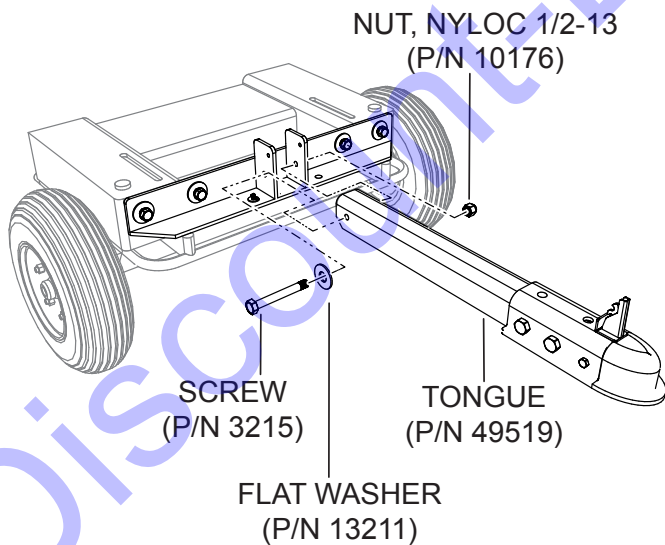


Figure 3. Hitch Adapter Tongue Installation

TOWING

NOTICE

The hitch adapter has a 2-inch ball coupler. The towing vehicle should have a 2-inch hitch ball that is compatible with the coupler.

3. Attach the hitch adapter to the towing vehicle as shown in Figure 4. Be sure the coupler is all the way on the hitch ball and the locking mechanism is engaged.
4. Attach the safety chain (see Figure 4).

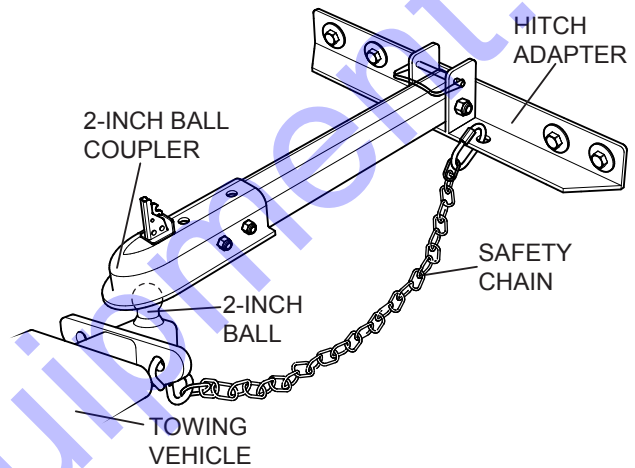


Figure 4. Connection to the Towing Vehicle



STOWING THE HITCH ADAPTER

1. After towing the GB43SC, make sure that the hitch adapter is stowed in the upright position. See Figure 5.
2. Snap the wire lock to the pin to secure the hitch adapter in place.

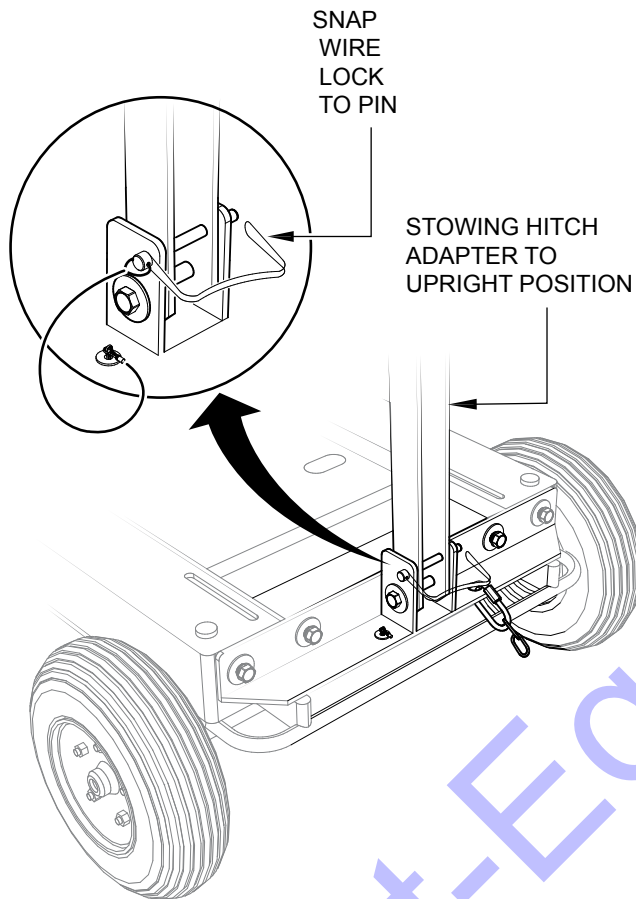


Figure 5. Stowed Hitch Adapter



GB43SC GloBug Cart

Hitch Adapter Installation Instructions

HERE'S HOW TO GET HELP

PLEASE HAVE THE MODEL AND SERIAL
NUMBER ON-HAND WHEN CALLING

Your Local Dealer is:



www.Discount-Equipment.com

