



REVISED STARTING
SERIAL # 091110028

PARTS LIST MANUAL GASOLINE POWER TROWEL



SKU #	MODEL #	SIZE	RPM	ENGINE MODEL
85400	T244B-4H	24"	140	HONDA GX120
85600	T244BRS-4H	24"	70	HONDA GX120
85500	T304B-5.5H	30"	140	HONDA GX160
85700	T304BRS-5.5H	30"	70	HONDA GX160
85100	T364B-5.5H	36"	140	HONDA GX160
85800	T364BRS-5.5H	36"	70	HONDA GX160
85300	T364B-9H	36"	140	HONDA GX270
85900	T364BRS-9H	36"	70	HONDA GX270
85200	T464B-9H	46"	140	HONDA GX270
86100	T464BRS-9H	46"	70	HONDA GX270



A Division of Equipment Development Company, Inc.

PARTS FINDER

**Search Website
by Part Number**



**Search Manual
Library For Parts
Manual & Lookup Part
Numbers – Purchase
or Request Quote**

Search Manuals

Enter your information to help us find the right parts manual for your machine.

* Brand:

* Model:

* Serial:

* Part Number:

SEARCH

**Can't Find Part or
Manual? Request Help
by Manufacturer,
Model & Description**

Parts Order Form

Please fill in the following information to help us find the right part for your machine.

MANUFACTURER:

MODEL:

DESCRIPTION:

SEARCH

Discount-Equipment.com is your online resource for quality parts & equipment.

Florida: **561-964-4949** Outside Florida TOLL FREE: **877-690-3101**

Need parts?

Click on this link: <http://www.discount-equipment.com/category/5443-parts/> and choose one of the options to help get the right parts and equipment you are looking for. Please have the machine model and serial number available in order to help us get you the correct parts. If you don't find the part on the website or on one of the online manuals, please fill out the request form and one of our experienced staff members will get back to you with a quote for the right part that your machine needs.

We sell worldwide for the brands: Genie, Terex, JLG, MultiQuip, Mikasa, Essick, Whiteman, Mayco, Toro Stone, Diamond Products, Generac Magnum, Airman, Haulotte, Barreto, Power Blanket, Nifty Lift, Atlas Copco, Chicago Pneumatic, Allmand, Miller Curber, Skyjack, Lull, Skytrak, Tsurumi, Husquvarna Target, Stow, Wacker, Sakai, Mi-T-M, Sullair, Basic, Dynapac, MBW, Weber, Bartell, Bennar Newman, Haulotte, Ditch Runner, Menegotti, Morrison, Contec, Buddy, Crown, Edco, Wyco, Bomag, Laymor, EZ Trench, Bil-Jax, F.S. Curtis, Gehl Pavers, Heli, Honda, ICS/PowerGrit, IHI, Partner, Imer, Clipper, MMD, Koshin, Rice, CH&E, General Equipment, Amida, Coleman, NAC, Gradall, Square Shooter, Kent, Stanley, Tamco, Toku, Hatz, Kohler, Robin, Wisconsin, Northrock, Oztec, Toker TK, Rol-Air, APT, Wylie, Ingersoll Rand / Doosan, Innovatech, Con X, Ammann, Mecalac, Makinex, Smith Surface Prep, Small Line, Wanco, Yanmar

READ AND UNDERSTAND THE OPERATORS INSTRUCTION MANUAL THOROUGHLY BEFORE ATTEMPTING TO OPERATE THIS EQUIPMENT. Death or serious injury could occur if this machine is used improperly.



SAFETY MESSAGES



The safety instructions are preceded by a graphic alert message of DANGER, WARNING, or CAUTION.



Indicates an imminent hazard which, if not avoided, will result in death or serious injury.



Indicates an imminent hazard which, if not avoided, can result in death or serious injury.



Indicates hazards which, if not avoided, could result in serious injury and or damage to the equipment.

GASOLINE Powered Equipment



- Do not operate gasoline powered equipment without adequate ventilation. Carbon monoxide is an invisible, odorless gas that can kill.

ELECTRICAL Powered Equipment



- ELECTRICAL HAZARD** - Be sure equipment is properly grounded. Failure to comply could kill or result in serious injury.



The engine exhaust from this product contains chemicals known to the State of California to cause cancer, birth defects or other reproductive harm.

GENERAL INSTRUCTIONS



- You must read and understand the operators instruction manual and all other manuals associated with this machine. For your safety and the safety of others around you, it is extremely important to fully understand how to operate this machine in the way it was intended. Different model machines or older/newer versions of the same model may have different parts and controls that you need to understand. If instructions are not readable or available DO NOT USE this machine and contact Discount-equipment for a replacement Manual.
- You must be able to physically handle the bulk weight and power of this machine. If not properly controlled this machine can cause death or serious injury.
- Do not operate this machine in an impaired mental state. You must be able to exercise good judgement and reactions to maintain a safe working environment.
- This is a "one person" machine which means only one operator can be operating the machine at any one time. For the safety of others, maintain a safe operating distance to other personnel. Your work area should be defined and appropriately marked so bystanders and coworkers do not stand or walk near this machine and end up seriously injured by flying debris or exposing them to harmful noise or dust.
- This equipment is for Commercial use. Although this is a "one person" machine your work team should understand how to shut this machine off and quickly get medical help if an accident strikes the operator.
- Keep all guards in place during operation. The guards are to provide protection from inadvertent contact with dangerous moving parts, pinch points, or hot surfaces.
- Wear appropriate Personal Protective Equipment (PPE) including safety glasses, safety boots, work gloves, respiratory protection, hearing protection, and head protection. Do not wear loose clothing that can get tangled in moving parts. Failure to do so could result

in dismemberment or death. **Wear an approved respirator when removing hazardous materials or when grinding/cutting dry materials. Some dust particles such as concrete dust can contain silicate particles which can cause silicosis (a very serious lung disease). Contact NIOSH or OSHA for further details. When wet grinding/cutting, avoid contact with the concrete/asphalt slurry which can cause serious skin irritations.**

- You must maintain this machine per the maintenance schedule in the operator manual. Remember before adjusting, servicing, or fueling this machine, disconnect the source of power to the machine by disconnecting the spark plug (Gas models), or by unplugging the electrical power cord (electric models) or air hose (Pneumatic models) AT THE MACHINE so you can assure yourself it remains unplugged while you are working on it. Do not modify this machine. Use only genuine EDCO parts and accessories. Repairs and service should be performed by approved EDCO dealers or authorized technicians.
- You should look carefully around the area before you begin work so you can identify potential hazards such as deck inserts, pipes, columns, openings, electrical cords or outlets, or any other objects protruding from the slab surface.
- This machine has no brain so you must use your own. There is no substitute for safety. The safety decals on the machine are to serve as a reminder for information you must already know before you begin using this machine. Take a moment to reread the safety decals each time you use the machine. If your machine is missing any decals, contact Discount-equipment for a replacement.

PARTS LIST MANUAL

GASOLINE POWER TROWEL

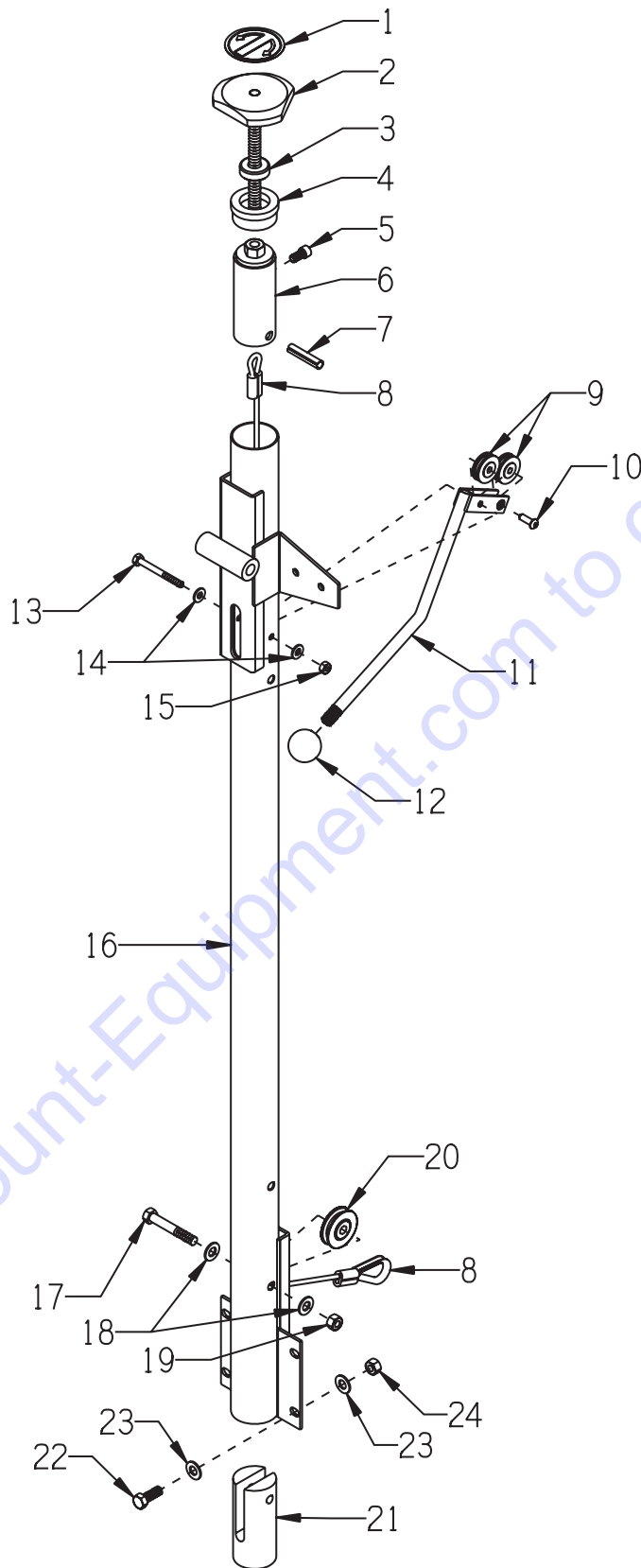
TABLE OF CONTENTS

<u>Section</u>	<u>Page Number</u>
Safety Messages and General Instructions	2
How To Order Replacement Parts	3
Illustration 1: Handle Bar, Pitch Lever & Control Knob Grouping	4, 5
Illustration 2: Handle Adjustable Belly Bar Grouping	6
Illustration 3: Safety Stop Switch Grouping	7
Illustration 4: Frame , Transmission & Spider Grouping	8, 9
Illustration 5: Transmission Assembly 20:1 Ratio - Standard Speed	10
Illustration 6: Transmission Assembly 40:1 Ratio - Reduced Speed	11
Illustration 7: Spider Assembly	12
Illustration 8: Bolt-On Blades & Adapter for 24" Trowel	13
Illustration 9: Bolt-On Blades & Adapter for 30" Trowel	14
Illustration 10: Bolt-On Blades & Adapter for 36" Trowel	15
Illustration 11: Bolt-On Blades & Adapter for 46" Trowel	16
Illustration 12: Optional Quick Change Blades & Adapters	17
Illustration 13: Optional 36" Float Pan	18
Illustration 14: Optional "Tote-A-Trowel"	19
Illustration 15: Engine Grouping for Honda GX120 & GX160	20, 21
Illustration 16: Engine Grouping for Honda GX270	22, 23
Illustration 17: Lift Handle Grouping	24
Illustration 18: Wiring Diagram	25
Notes	26
Blank Page	27
Limited Equipment Warranty of Sale - Terms & Conditions	28 (Back Page)



A Division of Equipment Development Company, Inc.

ILLUSTRATION 1: HANDLE BAR, PITCH LEVER & CONTROL KNOB GROUPING



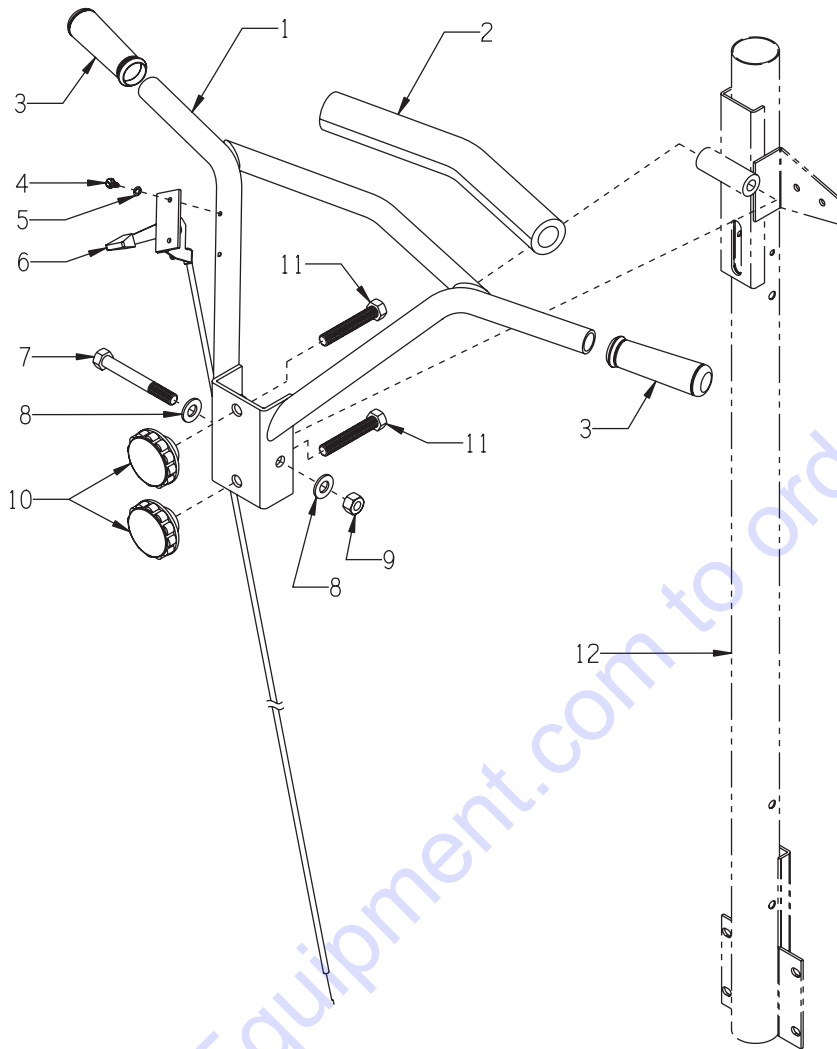
**PARTS LISTING - ILLUSTRATION 1 :
HANDLE BAR, PITCH LEVER & CONTROL KNOB GROUPING**

ITEM #	PART #	DESCRIPTION	QTY.
1	3661	DECAL, BLADE ANGLE - FLAT/TILT	1
2	49014	KNOB, CONTROL W/ 1/2-13 X 6-3/4"ROD	1
3	3642	BEARING, THRUST BALL 1/2	1
4	36078	HANDLE TOP INSERT	1
5	11639	SCREW, SKT. HD. CAP 5/16-18 X 5/8	1
6	36080	LINKAGE	1
7	10063	PIN, ROLL 3/8 X 2	1
8	36082	CABLE, CONTROL 3/16 X 51"L	1
	4610	CABLE, THIMBLE 3/16"	1
	3618	SLEEVE, NICROPRESS DOUBLE 3/16"	2
9	14082	PULLEY BEARING 1-1/4DIA. X 1/4BORE	2
10	10884	SCREW, SKT. BUTTON HD. 1/4-20 X 3/4	1
11	36081	LEVER, PITCH	1
12	14023	KNOB, BALL 1-3/8 W/ 1/2-13THD, BLK.	1
13	11658	SCREW, CAP 1/4-20 X 2-3/4 (CUT 2-1/2"L)	1
14	10602	WASHER, FLAT 1/4 SAE	2
15	10150	NUT, HEX NYLON LOCK 1/4-20	1
16	36070	HANDLE BAR	1
17	10393	SCREW, CAP 3/8-24 X 2-1/2	1
18	10025	WASHER, FLAT 3/8 SAE	2
19	10058	NUT, LOCK 3/8-24 W/ NYLON PATCH	1
20	3621	PULLEY BEARING 1-3/4DIA. X 3/8BORE	1
21	36077	ROLLER GUIDE	1
22	10021	SCREW, CAP 3/8-24 X 1	4
23	10025	WASHER, FLAT 3/8 SAE	4
24	10004	NUT, LOCK 3/8-24	4



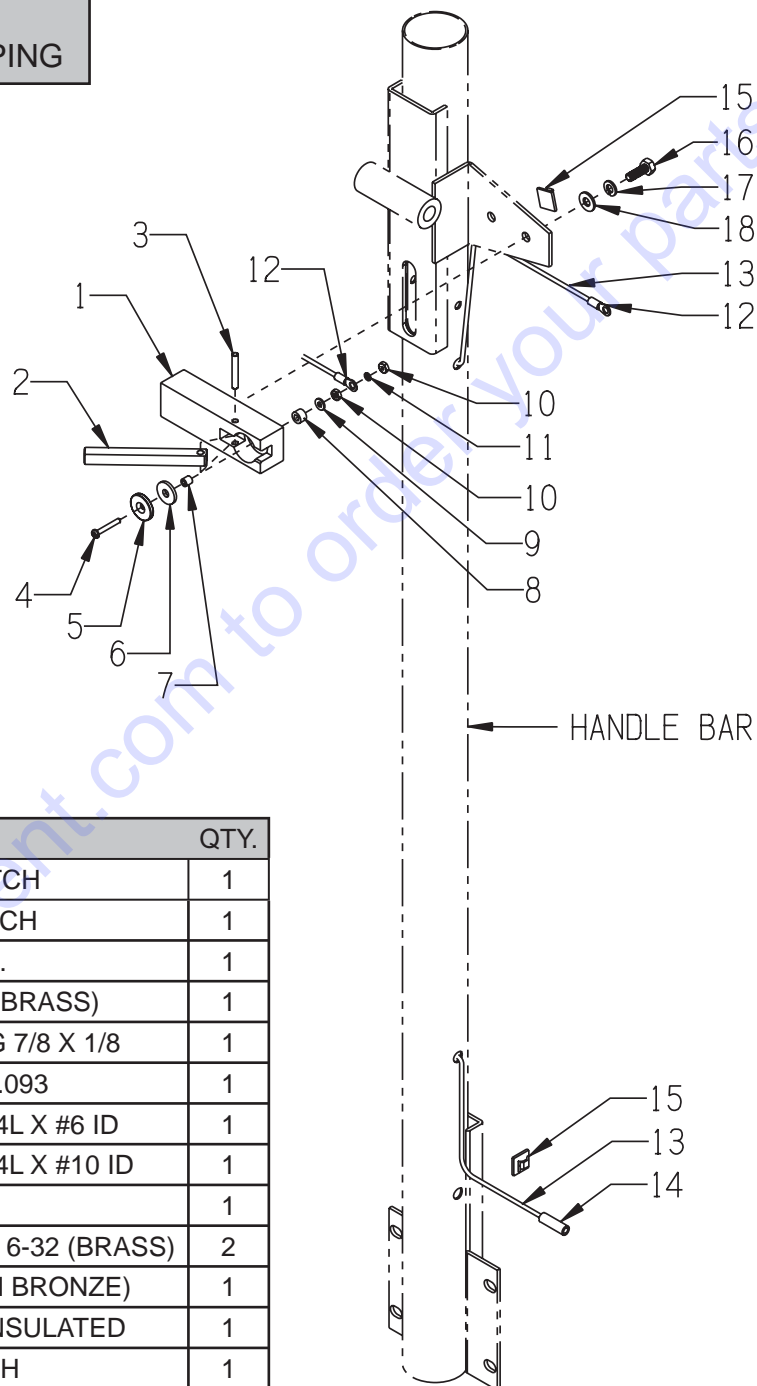
A Division of Equipment Development Company, Inc.

ILLUSTRATION 2 : ADJUSTABLE HANDLE BELLY BAR GROUPING



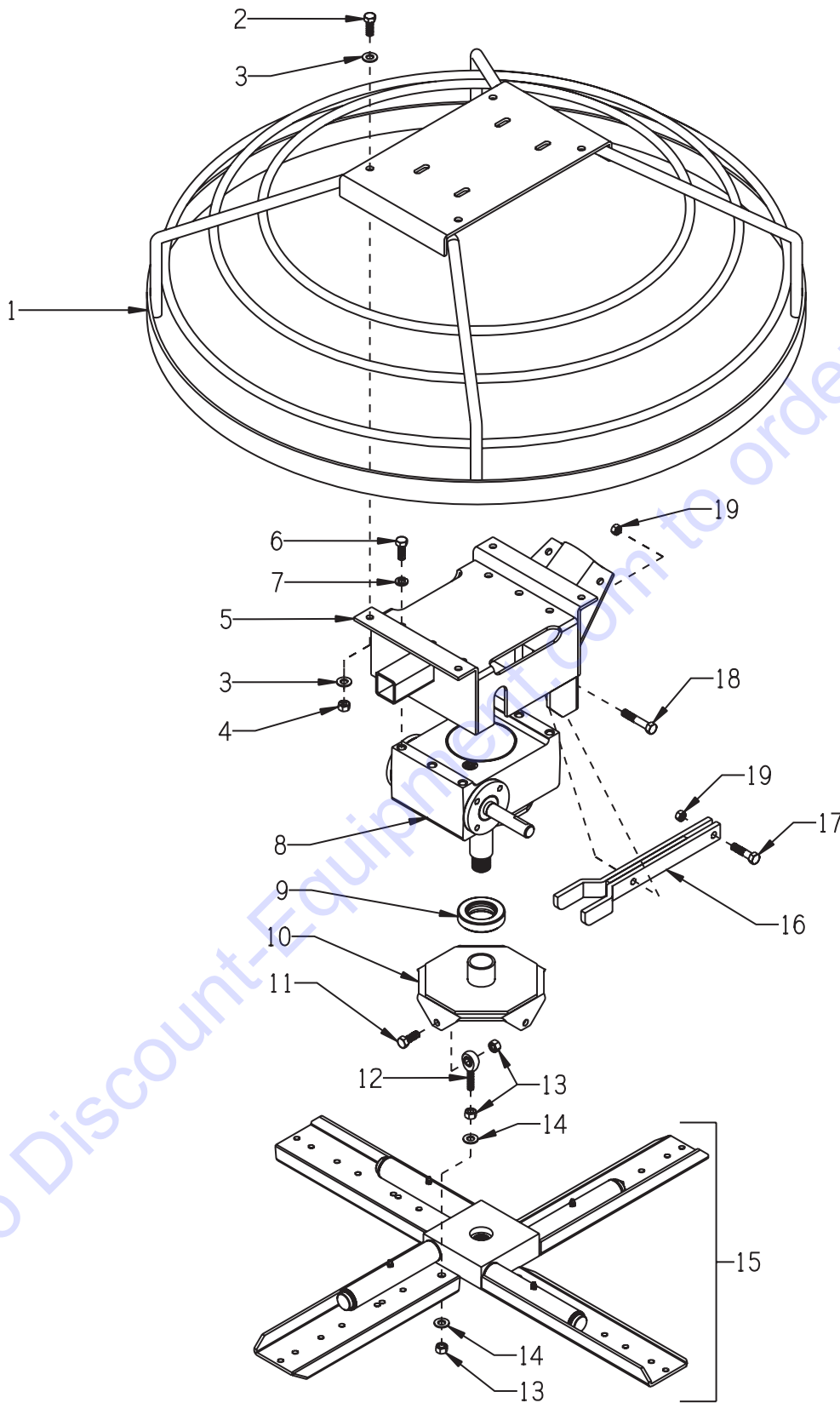
ITEM #	PART #	DESCRIPTION	QTY.
1	36071	HANDLE BELLY BAR, ADJUSTABLE	1
2	36083	PADDING, BELLY BAR	1
3	10608	GRIP, HAND 1" MODEL AT	2
4	10877	SCREW, CAP STSHW 10-24 X 1/2	2
5	10038	WASHER, LOCK 1/4	2
6	36012A	CABLE, THROTTLE CONTROL 54", TROWEL	1
7	81001	SCREW, CAP 1/2-13 X 4	1
8	10312	WASHER, FLAT 1/2 SAE	2
9	10155	NUT, HEX NYLON LOCK 1/2-13	1
10	36063	KNOB, FLUTED 1/2-13 X 2-1/2"DIA.	2
11	10340	BOLT, TAP 1/2-13 X 3 (FULL THREAD)	2
12	36070	HANDLE BAR (REF. TO ILLUS. 1, ITEM 16)	1

ILLUSTRATION 3 :
SAFETY STOP SWITCH GROUPING



ITEM #	PART #	DESCRIPTION	QTY.
1	36073	BLOCK, SAFETY STOP SWITCH	1
2	36074	LEVER, SAFETY STOP SWITCH	1
3	36035	PIN, DOWEL 3/16 X 1-1/4 S.S.	1
4	10389	SCREW, MACHINE 6-32 X 1 (BRASS)	1
5	36064	MAGNET, NEODYMIUM RING 7/8 X 1/8	1
6	15187	WASHER, FIBER .75 X .25 X .093	1
7	36038	SPACER, NYLON 1/4OD X 1/4L X #6 ID	1
8	36037	SPACER, NYLON 3/8OD X 1/4L X #10 ID	1
9	36040	WASHER, FLAT #6 (BRASS)	1
10	36039	NUT, MACHINE SCREW HEX 6-32 (BRASS)	2
11	36041	WASHER, LOCK #6 (SILICON BRONZE)	1
12	11642	TERM., RING #6 16-14 GA. INSULATED	1
13	36090	WIRE, SAFETY STOP SWITCH	1
14	11568	CONNECTOR, LINE STD. 16-14GA.(BLUE)	1
15	36042	CLIP, NATURAL CORD, 1/8" X 1/4"	2
16	10018	SCREW, CAP 1/4-20 X 3/4	2
17	10038	WASHER, LOCK 1/4	2
18	10602	WASHER, FLAT 1/4 SAE	2

ILLUSTRATION 4 : FRAME, TRANSMISSION & SPIDER GROUPING



**PARTS LISTING - ILLUSTRATION 4 :
FRAME, TRANSMISSION & SPIDER GROUPING**

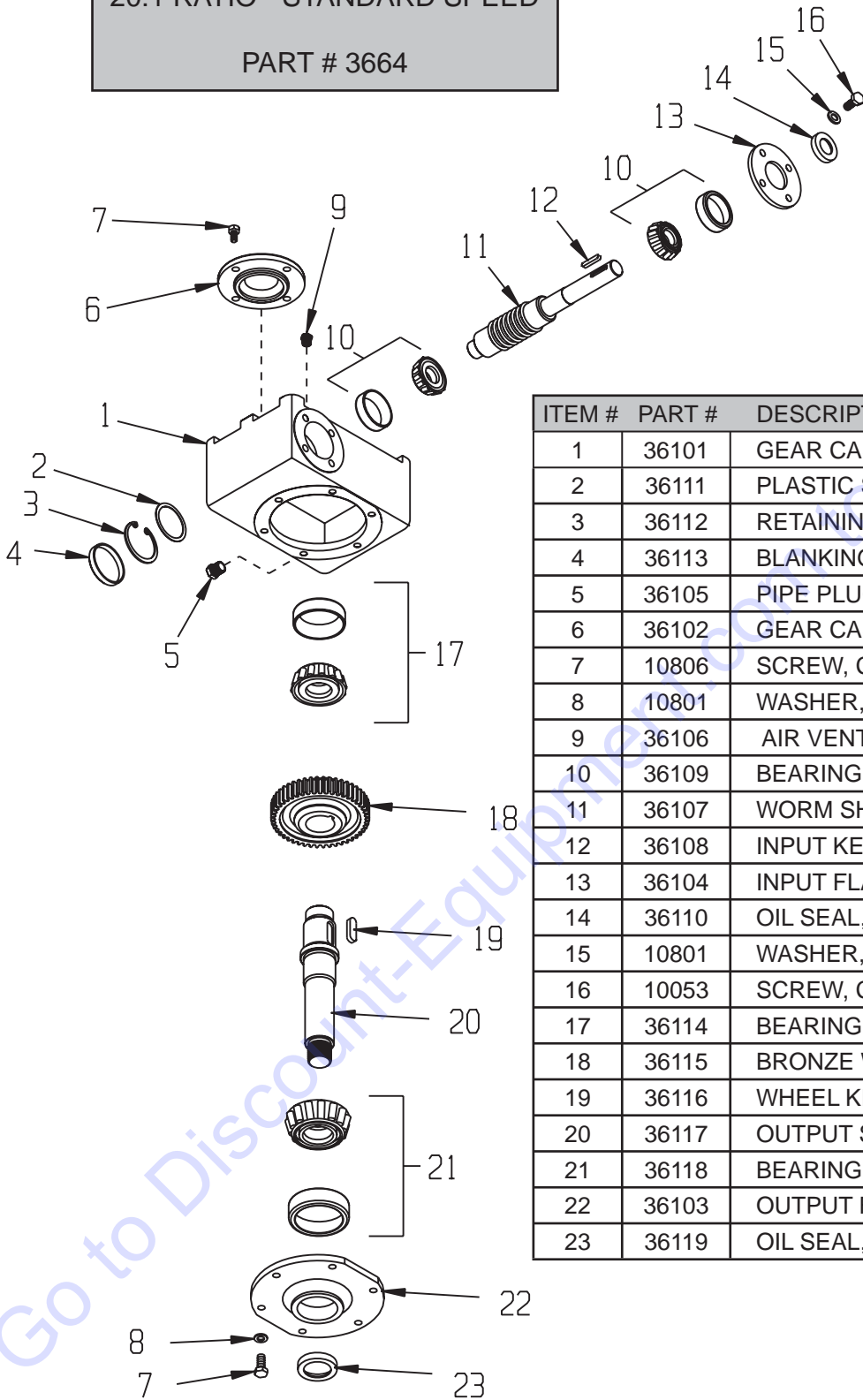
ITEM #	PART #	DESCRIPTION	QTY.
1	36065 36066 36067 36068	FRAME & GUARD RING 24" TROWEL 30" TROWEL 36" TROWEL 46" TROWEL	1
2	10021	SCREW, CAP 3/8-24 X 1 (HONDA GX120 & GX160 ONLY)	4
3	10025	WASHER, FLAT 3/8 SAE	8
4	10004	NUT, LOCK 3/8-24	4
5	36069	MOUNT, TRANSMISSION	1
6	10055	SCREW, CAP 3/8-16 X 1	6
7	10025	WASHER, FLAT 3/8 SAE	6
8	3664 3664-RS	TRANSMISSION (REFER TO ILLUS. 5 & 6 FOR BREAKDOWNS) 20:1 RATIO - STANDARD SPEED (140 RPM MODELS) 40:1 RATIO - REDUCED SPEED (70 RPM MODELS)	1
9	3609	BEARING, THRUST BALL 1-1/2"ID X 2-19/32"OD X 5/8"THK	1
10	3626 4603	PLATE, PITCH ADJUSTMENT 24, 30, & 36" TROWELS 46" TROWELS	1
11	10021 10322	SCREW, CAP SCREW, CAP 3/8-24 X 1 (24, 30, & 36" TROWELS) SCREW, CAP 1/2-20 X 2 (46" TROWELS, ON INSIDE)	4
12	3605 4805	ROD END, MALE 3/8-24 (24, 30, & 36" TROWELS, AS SHOWN) 1/2-20 (46" TROWELS, MOUNTED ON OUTSIDE)	4
13	10004 10205	NUT, LOCK 3/8-24 (24, 30, & 36" TROWELS) 1/2-20 (46" TROWELS)	12 16
14	10025 10312	WASHER, FLAT 3/8 SAE (24, 30, & 36" TROWELS) 1/2 SAE (46" TROWELS)	8
15	36084 36085 36086 36087 36093	SPIDER ASSEMBLY (REFER TO ILLUS. 7) 24" TROWEL (8-1/2" ARMS) 30" TROWEL (12" ARMS) 36" TROWEL (13" ARMS) 46" TROWEL (15-1/4" ARMS) 46" TROWEL (17-1/4" ARMS)	1
16	3625	FORK	1
17	10816	SCREW, CAP 3/8-24 X 1-1/2	1
18	10030	SCREW, CAP 3/8-24 X 2	1
19	10004	NUT, LOCK 3/8-24	2



A Division of Equipment Development Company, Inc.

**ILLUSTRATION 5:
TRANSMISSION ASSEMBLY
20:1 RATIO - STANDARD SPEED**

PART # 3664

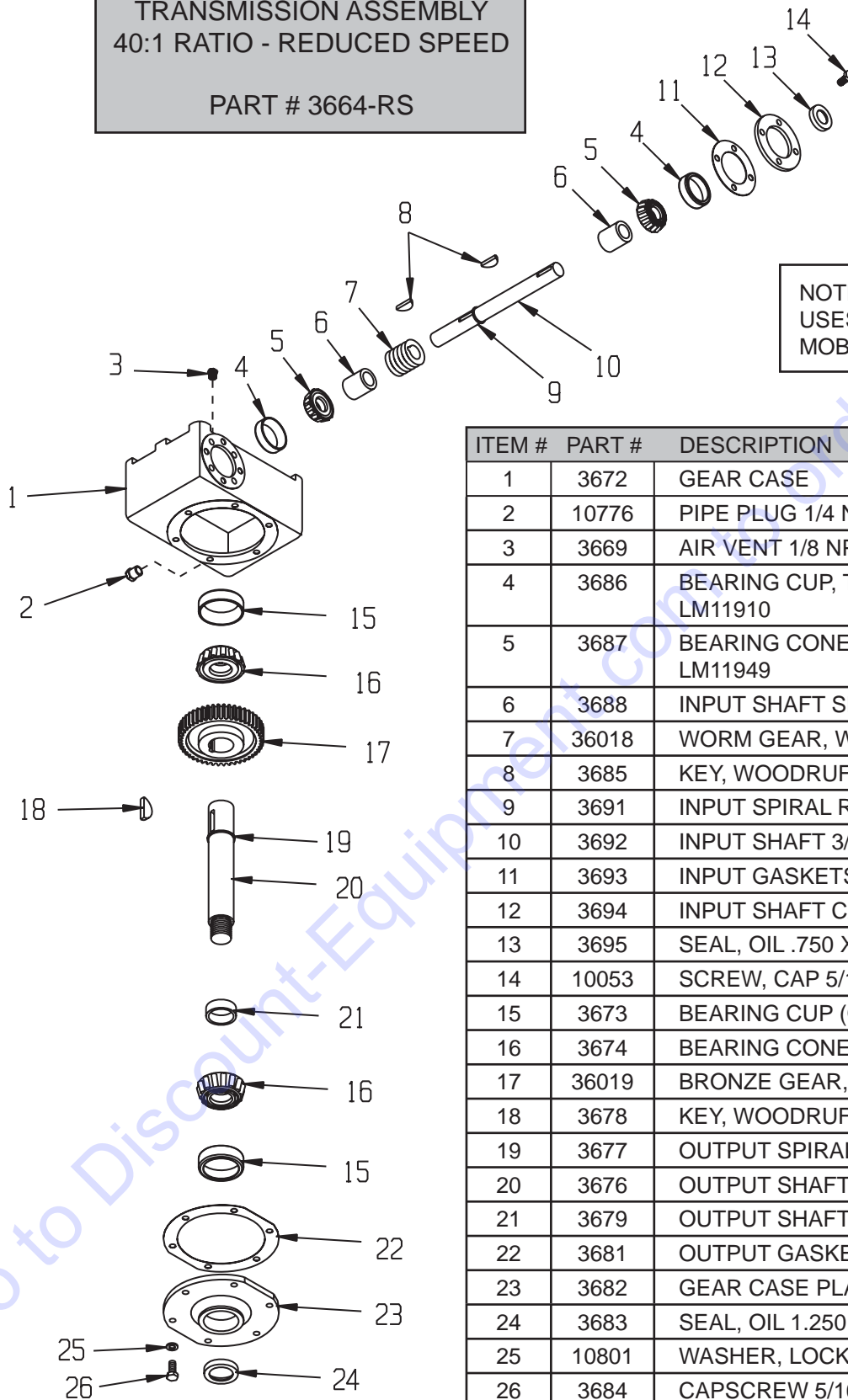


**NOTE:
USES 16 OUNCES OF
MOBIL 634 GEAR OIL**

ITEM #	PART #	DESCRIPTION	QTY.
1	36101	GEAR CASE (IPTS)	1
2	36111	PLASTIC SHIM (IPTS) *USE AS REQ'D.	*
3	36112	RETAINING RING, INT. 47MM	1
4	36113	BLANKING CAP (IPTS)	1
5	36105	PIPE PLUG 1/4NPT (IPTS)	1
6	36102	GEAR CASE TOP COVER (IPTS)	1
7	10806	SCREW, CAP 5/16-18 X 1	10
8	10801	WASHER, LOCK 5/16	6
9	36106	AIR VENT 1/4NPT (IPTS)	1
10	36109	BEARING, TAPERED ROLLER 30204A	2
11	36107	WORM SHAFT 20:1 (IPTS)	1
12	36108	INPUT KEY 3/16SQ X 1 (IPTS)	1
13	36104	INPUT FLANGE (IPTS)	1
14	36110	OIL SEAL, INPUT (IPTS)	1
15	10801	WASHER, LOCK 5/16	4
16	10053	SCREW, CAP 5/16-18 X 3/4	4
17	36114	BEARING, TAPERED ROLLER 30206A	1
18	36115	BRONZE WORM WHEEL 20:1 (IPTS)	1
19	36116	WHEEL KEY 10MM X 30MM (IPTS)	1
20	36117	OUTPUT SHAFT (IPTS)	1
21	36118	BEARING, TAPERED ROLLER 30207A	1
22	36103	OUTPUT FLANGE (IPTS)	1
23	36119	OIL SEAL, OUTPUT (IPTS)	1

**ILLUSTRATION 6:
TRANSMISSION ASSEMBLY
40:1 RATIO - REDUCED SPEED**

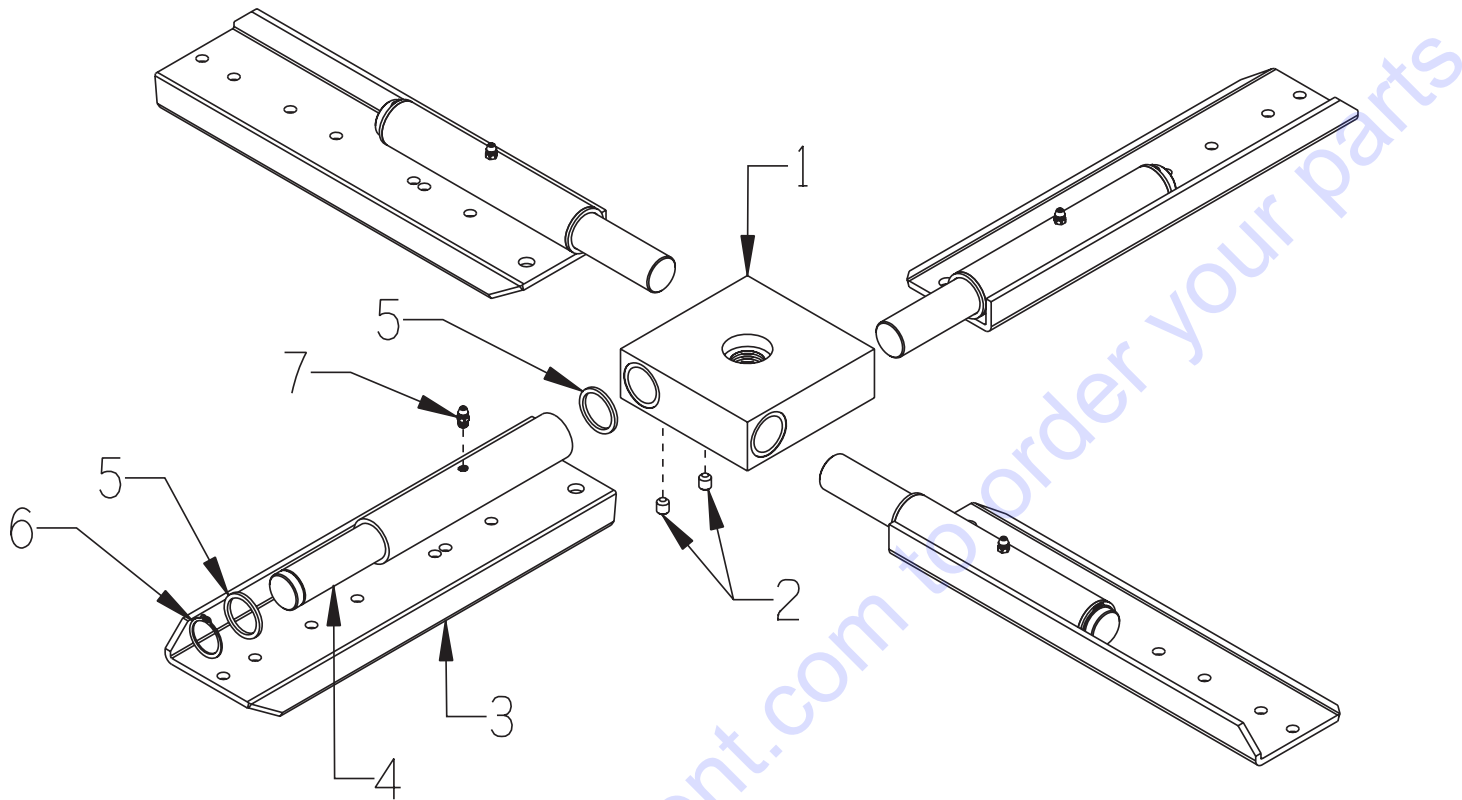
PART # 3664-RS



**NOTE:
USES 16 OUNCES OF
MOBIL 634 GEAR OIL**

ITEM #	PART #	DESCRIPTION	QTY.
1	3672	GEAR CASE	1
2	10776	PIPE PLUG 1/4 NPT (BRASS)	1
3	3669	AIR VENT 1/8 NPT	1
4	3686	BEARING CUP, TAPERED ROLLER LM11910	2
5	3687	BEARING CONE, TAPERED ROLLER LM11949	2
6	3688	INPUT SHAFT SPACER	2
7	36018	WORM GEAR, W10A-1G X 3/4	1
8	3685	KEY, WOODRUFF 3/16 X 1 (#608)	2
9	3691	INPUT SPIRAL RING	1
10	3692	INPUT SHAFT 3/4 X 8-11/16	1
11	3693	INPUT GASKETS (SET OF 3)	1
12	3694	INPUT SHAFT CAP	1
13	3695	SEAL, OIL .750 X 1.375 X .250	1
14	10053	SCREW, CAP 5/16-18 X 3/4	4
15	3673	BEARING CUP (OUTPUT)	2
16	3674	BEARING CONE, OUTPUT	2
17	36019	BRONZE GEAR, GHU-40:1	1
18	3678	KEY, WOODRUFF 1/4 X 1-1/4 (#810)	1
19	3677	OUTPUT SPIRAL RING	1
20	3676	OUTPUT SHAFT	1
21	3679	OUTPUT SHAFT SPACER	1
22	3681	OUTPUT GASKETS (SET OF 3)	1
23	3682	GEAR CASE PLATE	1
24	3683	SEAL, OIL 1.250 X 1.686 X .375	1
25	10801	WASHER, LOCK 5/16	6
26	3684	CAPSCREW 5/16-18 X 7/8	6

ILLUSTRATION 7: SPIDER ASSEMBLY



ITEM #	PART #	DESCRIPTION	QTY.
1	3637	HUB, 4 BLADE TROWEL	1
2	10052	SCREW, SET 5/16-18 X 3/8	8
3		ARM, BLADE	4
	2402	8-1/2" ARM, 24" TROWEL ,BOLT-ON BLADES	
	3666	12" ARM, 30" TROWEL, BOLT-ON OR QUICK-CHANGE	
	36007	13" ARM, 36" TROWEL, BOLT-ON OR QUICK-CHANGE	
	4618	15-1/4" ARM, 46" TROWEL, BOLT-ON BLADES	
	4606	17-1/4" ARM, 46" TROWEL, QUICK-CHANGE BLADES	
4		SHAFT, BLADE ARM	4
	3635	9-11/16"L SHAFT (24", 30", & 36" TROWEL)	
	4604	13-15/16"L SHAFT (46" TROWEL)	
5	3629	SPACER, COPPER THRUST 1-1/4"OD x 1-1/64"ID x 3/32"THK	4
6	10906	RETAINING RING, EXT. 1"	4
7	10808	FITTING, GREASE 1/4-28 STRAIGHT	4

PARTS FINDER

**Search Website
by Part Number**



**Search Manual
Library For Parts
Manual & Lookup Part
Numbers – Purchase
or Request Quote**

Search Manuals

Enter your information to help us find the right parts manual for your machine.

* Brand:

* Model:

* Serial:

* Part Number:

SEARCH

**Can't Find Part or
Manual? Request Help
by Manufacturer,
Model & Description**

Parts Order Form

Please fill in the following information to help us find the right part for your machine.

MANUFACTURER:

MODEL:

DESCRIPTION:

SEARCH

Discount-Equipment.com is your online resource for quality parts & equipment.

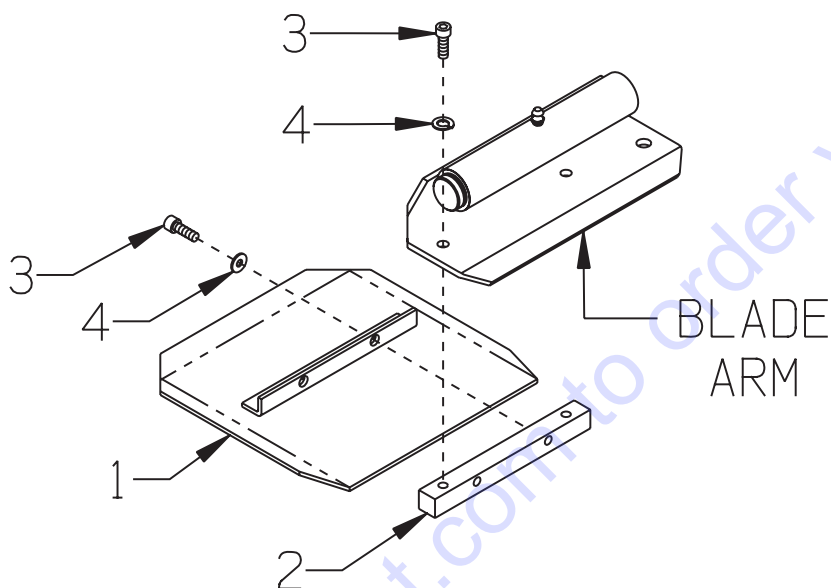
Florida: **561-964-4949** Outside Florida TOLL FREE: **877-690-3101**

Need parts?

Click on this link: <http://www.discount-equipment.com/category/5443-parts/> and choose one of the options to help get the right parts and equipment you are looking for. Please have the machine model and serial number available in order to help us get you the correct parts. If you don't find the part on the website or on one of the online manuals, please fill out the request form and one of our experienced staff members will get back to you with a quote for the right part that your machine needs.

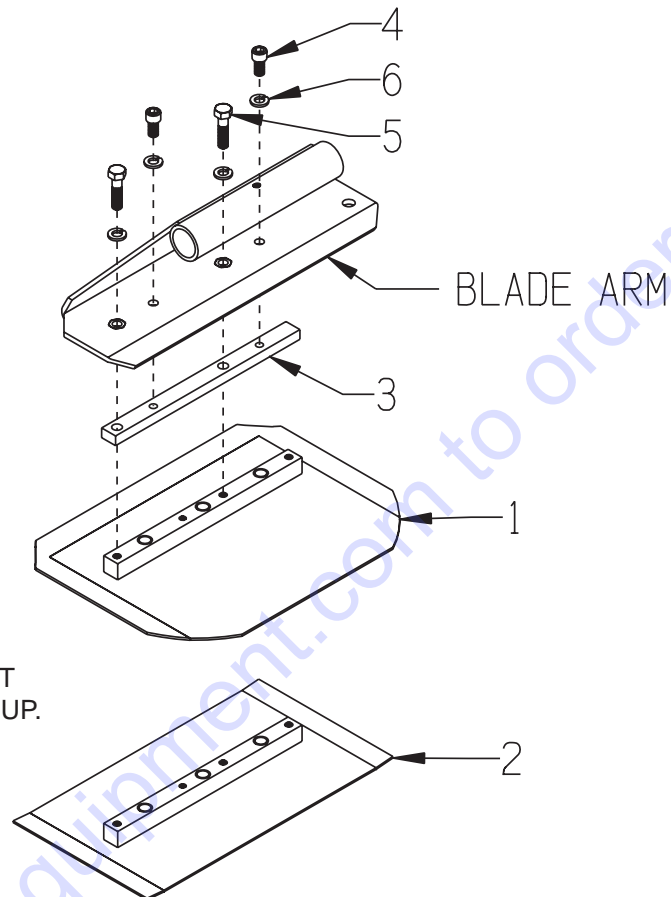
We sell worldwide for the brands: Genie, Terex, JLG, MultiQuip, Mikasa, Essick, Whiteman, Mayco, Toro Stone, Diamond Products, Generac Magnum, Airman, Haulotte, Barreto, Power Blanket, Nifty Lift, Atlas Copco, Chicago Pneumatic, Allmand, Miller Curber, Skyjack, Lull, Skytrak, Tsurumi, Husquvarna Target, Stow, Wacker, Sakai, Mi-T-M, Sullair, Basic, Dynapac, MBW, Weber, Bartell, Bennar Newman, Haulotte, Ditch Runner, Menegotti, Morrison, Contec, Buddy, Crown, Edco, Wyco, Bomag, Laymor, EZ Trench, Bil-Jax, F.S. Curtis, Gehl Pavers, Heli, Honda, ICS/PowerGrit, IHI, Partner, Imer, Clipper, MMD, Koshin, Rice, CH&E, General Equipment, Amida, Coleman, NAC, Gradall, Square Shooter, Kent, Stanley, Tamco, Toku, Hatz, Kohler, Robin, Wisconsin, Northrock, Oztec, Toker TK, Rol-Air, APT, Wylie, Ingersoll Rand / Doosan, Innovatech, Con X, Ammann, Mecalac, Makinex, Smith Surface Prep, Small Line, Wanco, Yanmar

ILLUSTRATION 8:
BOLT-ON BLADES & ADAPTER
FOR 24" TROWEL



ITEM #	PART #	DESCRIPTION	QTY.
1	40470 40480 40490	BLADE C-4 COMBINATION TROWEL BLADE 8 X 8 (SHOWN) F-4 FINISH TROWEL BLADE 6 X 8 M-4 FLOAT TROWEL BLADE 9 X 8	4
2	2406	BAR, BLADE MOUNTING 5/8"SQ. X 6"	4
3	11639	SCREW, SKT. HD. CAP 5/16-18 X 5/8	16
4	10801	WASHER, LOCK 5/16	16

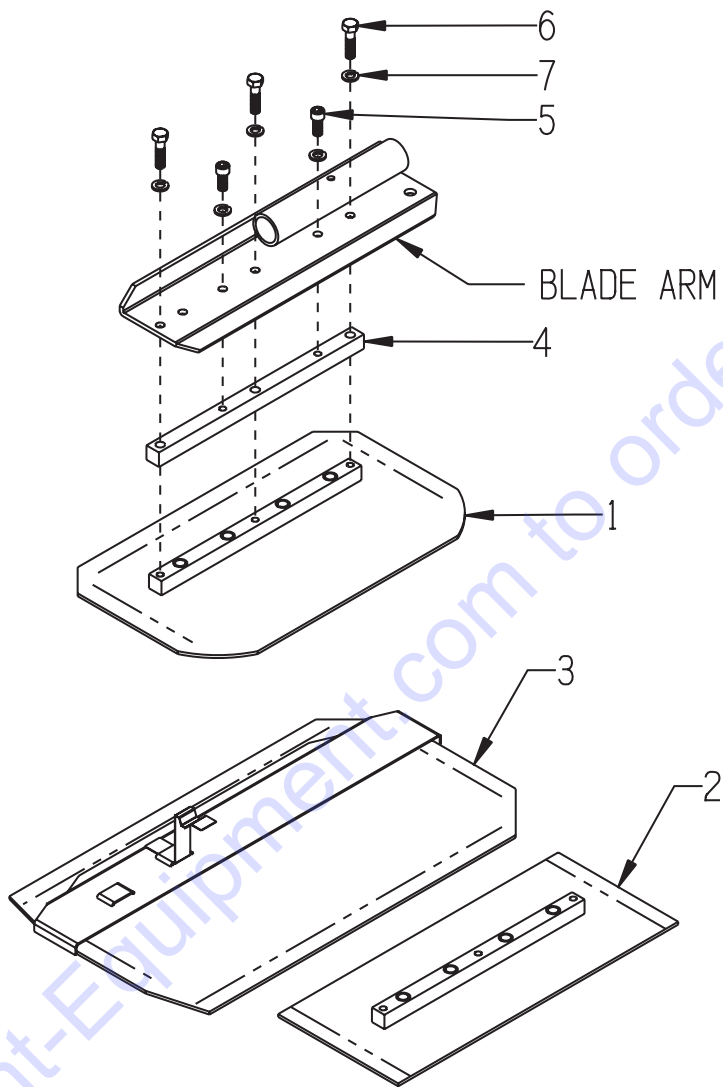
ILLUSTRATION 9:
BOLT-ON BLADES & ADAPTER
FOR 30" TROWEL



NOTE:
A FLOAT BLADE IS NOT
USED WITH THIS SET-UP.

ITEM #	PART #	DESCRIPTION	QTY.
1	40270-C	C-2C COMBINATION TROWEL BLADE 8 X 10-1/2	4
2	40280-C	F-2C FINISH TROWEL BLADE 6 X 10-1/2	4
3	3639	ADAPTER BAR 3/8" X 5/8" X 8-1/4"	4
4	11639	SCREW, SKT. HD. CAP 5/16-18 X 5/8	8
5	10606	SCREW, HEX HD. CAP 5/16-18 X 1-1/4	8
6	10801	WASHER, LOCK 5/16	20

ILLUSTRATION 10:
BOLT-ON BLADES & ADAPTER
FOR 36" TROWEL

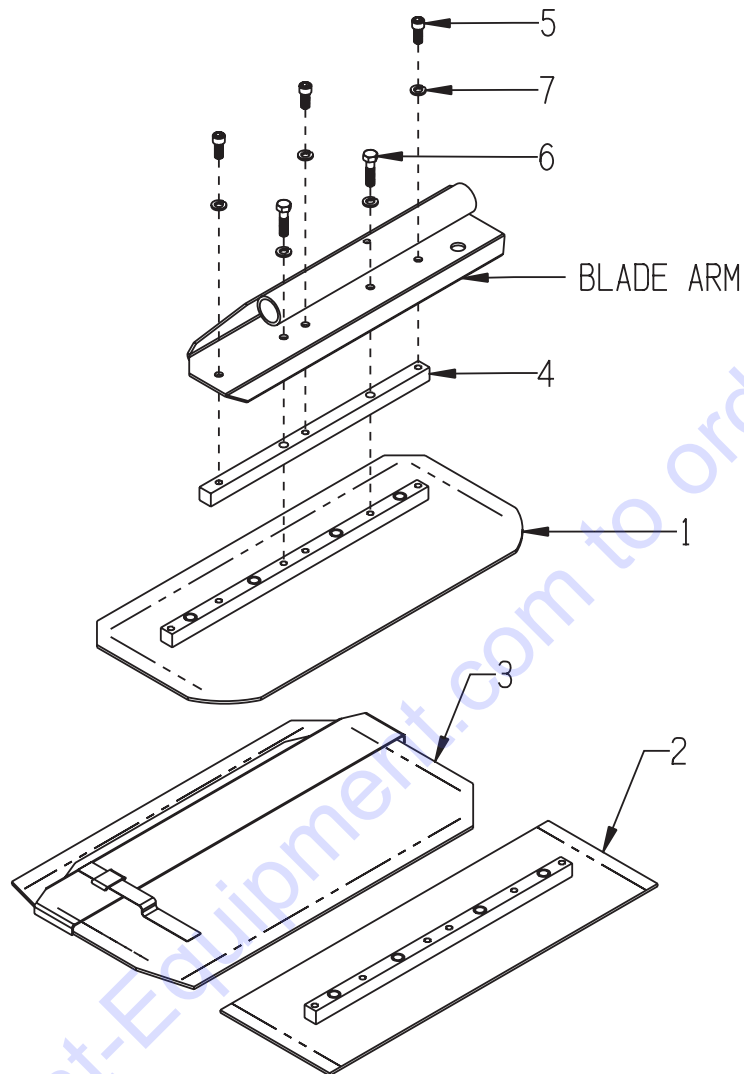


ITEM #	PART #	DESCRIPTION	QTY.
1	40040-C	C-1C COMBINATION TROWEL BLADE 8 X 14	4
2	40050-C	F-1C FINISH TROWEL BLADE 6 X 14	4
3	40060-CE	M-1CE FLOAT TROWEL BLADE 10 X 14 (SLIPS OVER FINISH BLADE)	4
4	36016	ADAPTER BAR 5/8"SQ. X 10-1/4"	4
5	11639	SCREW, SKT. HD. CAP 5/16-18 X 5/8	8
6	10606	SCREW, HEX HD. CAP 5/16-18 X 1-1/4	12
7	10801	WASHER, LOCK 5/16	20



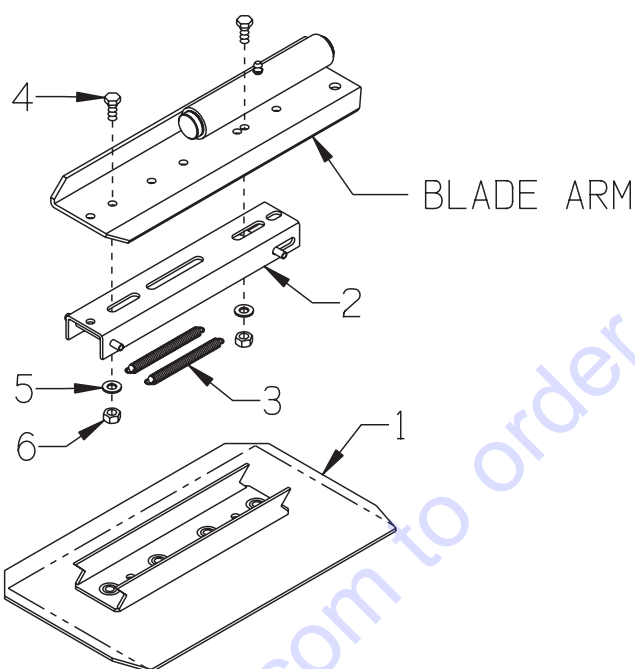
A Division of Equipment Development Company, Inc.

**ILLUSTRATION 11:
BOLT-ON BLADES & ADAPTER
FOR 46" TROWEL**



ITEM #	PART #	DESCRIPTION	QTY.
1	40070-C	C-3C COMBINATION TROWEL BLADE 8 X 18	4
2	40080-C	F-3C FINISH TROWEL BLADE 6 X 18	4
3	40090-C	M-3C FLOAT TROWEL BLADE 10 X 18 (SLIPS OVER FINISH BLADE)	4
4	4619	ADAPTER BAR 5/8'SQ. X 12"	4
5	11639	SCREW, SKT. HD. CAP 5/16-18 X 5/8	12
6	10606	SCREW, HEX HD. CAP 5/16-18 X 1-1/4	8
7	10801	WASHER, LOCK 5/16	20

**ILLUSTRATION 12:
OPTIONAL QUICK CHANGE BLADES & ADAPTERS
FOR 30", 36", & 46" TROWELS**

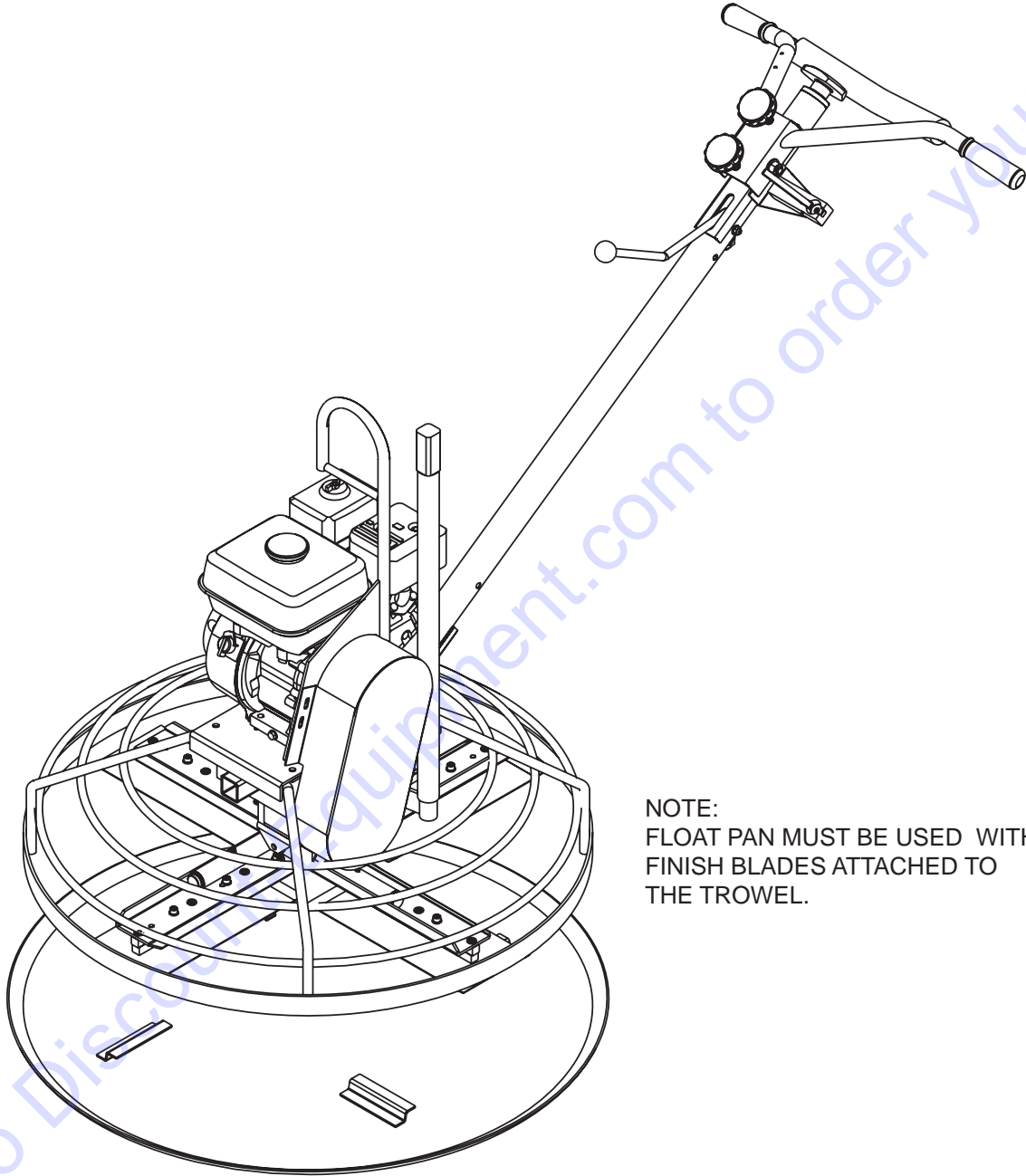


ITEM #	PART #	DESCRIPTION	QTY.
1	40270 40040 40070	COMBINATION BLADE (SHOWN) C-2, 8" x 11" C-1, 8" x 14" C-3, 8" x 18"	4
1	40290 40060 40090	FLOAT BLADE M-2, 9" x 11" M-1, 9" x 14" M-3, 9" x 18"	4
1	40280 40050 40080	FINISH BLADE F-2, 6" x 11" F-1, 6" x 14" F-3, 6" x 18"	4
2	40197 40237	ADAPTER COMPLETE (INCLUDES SPRINGS, ITEM 3) "A", 30" & 36" TROWEL, 10-1/16"L (SHOWN) "B", 46" TROWEL, 14-3/16"L	4
3	3636 4605	SPRING, EXTENSION 6"L ("A" ADAPTER) 11-1/2"L ("B" ADAPTER)	8
4	10053	SCREW, CAP 5/16-18 X 3/4	8/12
5	10213	WASHER, FLAT 5/16 SAE	8/12
6	10807	NUT, LOCK 5/16-18	8/12



A Division of Equipment Development Company, Inc.

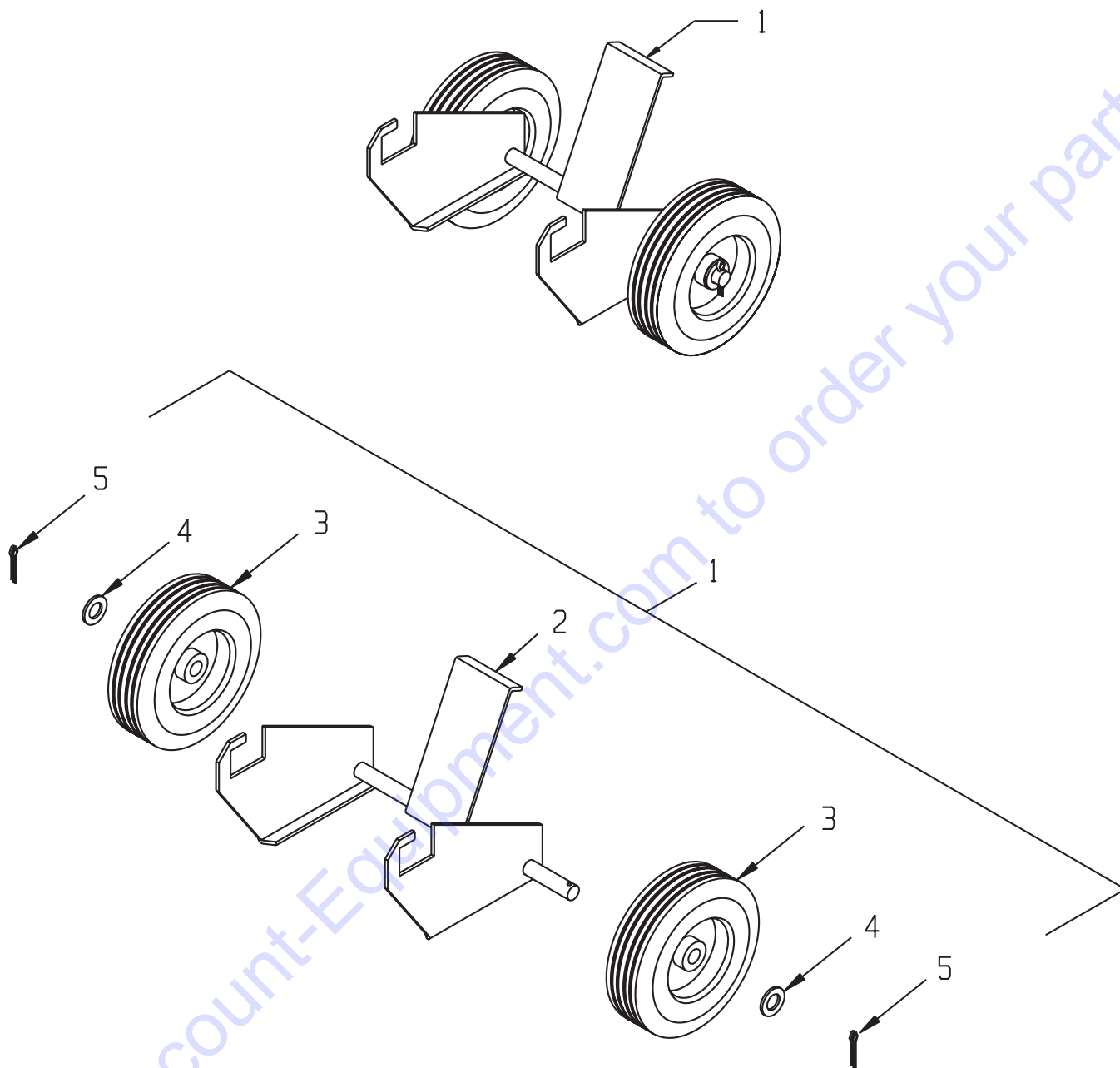
ILLUSTRATION 13:
OPTIONAL 36" FLOAT PAN



NOTE:
FLOAT PAN MUST BE USED WITH
FINISH BLADES ATTACHED TO
THE TROWEL.

PART # 40710
WFP-36 PRO FLOAT PAN
MILD DISH

ILLUSTRATION 14: OPTIONAL "TOTE-A-TROWEL"

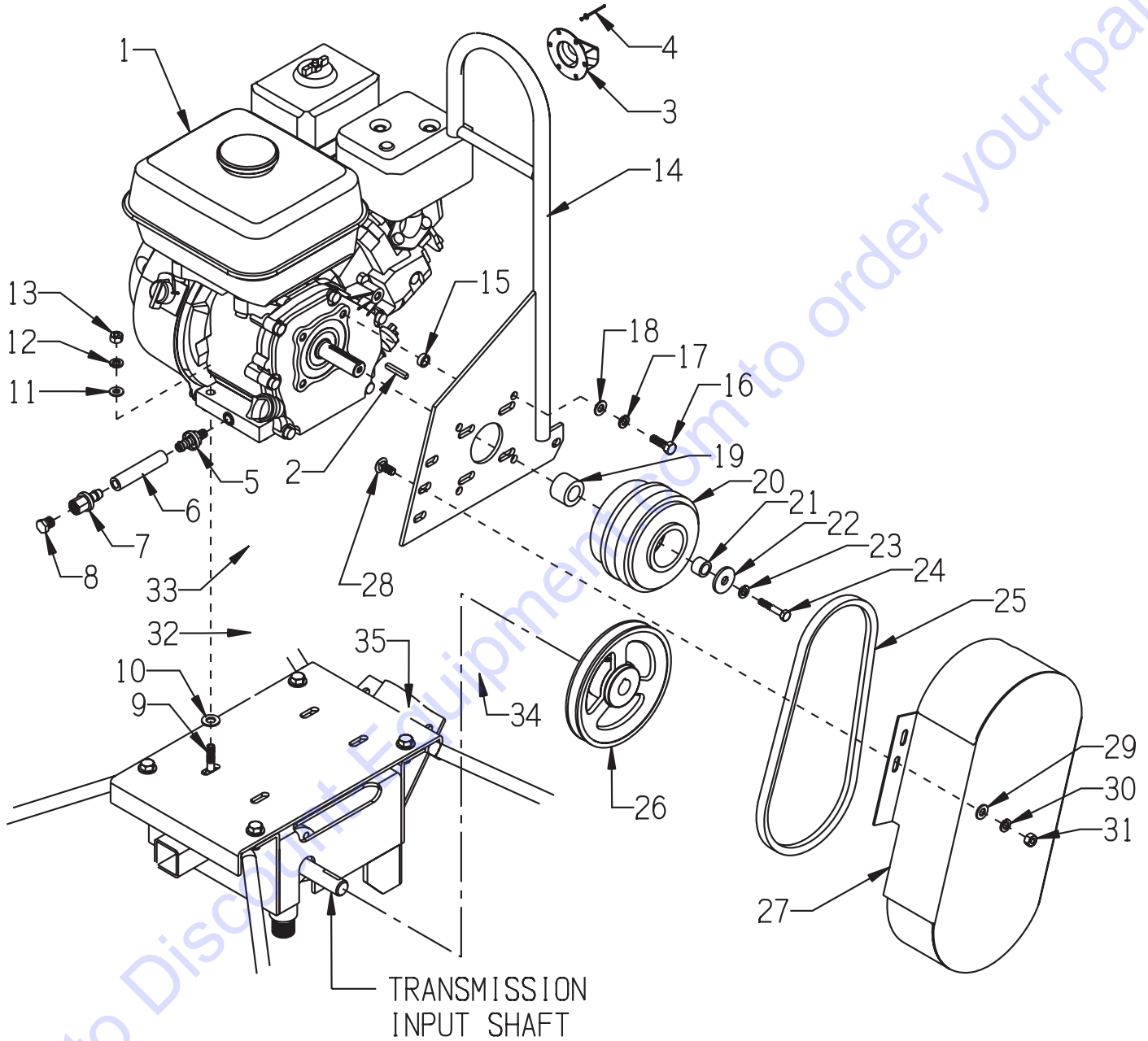


ITEM #	PART #	DESCRIPTION	QTY.
1	81400	TAT-II "TOTE-A-TROWEL" TRANSPORTER (INCLUDES ITEMS 2 THRU 5)	1
2	81401	FRAME	1
3	79013	WHEEL, 8 X 2-1/2 X 3/4"BRG.POLY HUB	2
4	10009	WASHER, FLAT 3/4 SAE	2
5	10306	PIN, COTTER 3/16 X 1-1/2	2



A Division of Equipment Development Company, Inc.

ILLUSTRATION 15: ENGINE GROUPING
FOR HONDA GX120 & GX160



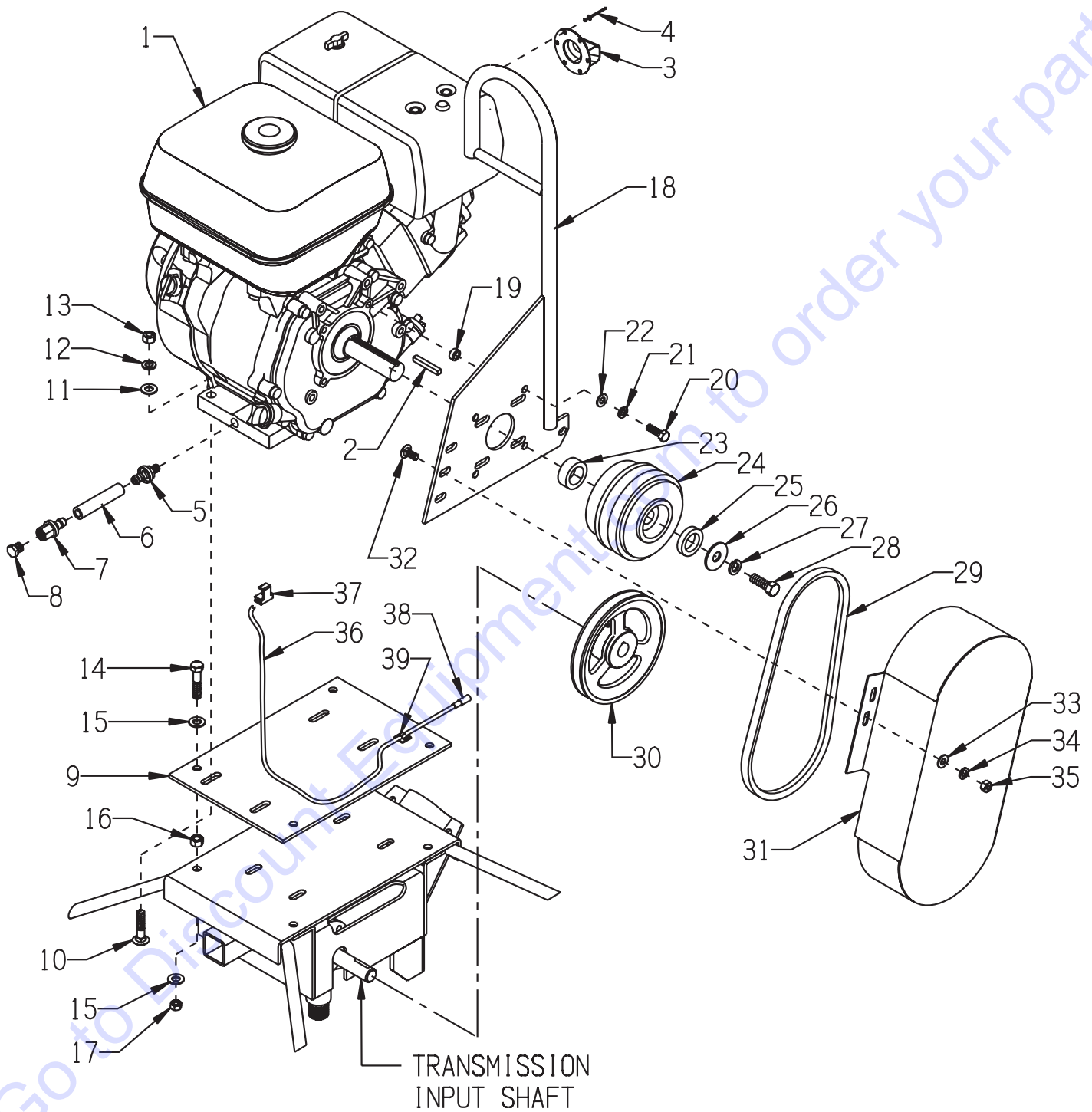
**PARTS LISTING - ILLUSTRATION 15 :
ENGINE GROUPING FOR HONDA GX120 & GX160**

ITEM #	PART #	DESCRIPTION	QTY.
1	15052 15051	HONDA GASOLINE ENGINE W/ DUAL ELEMENT AIR CLEANER MODEL GX120-QX2, 118 CC MODEL GX160UT1-QX2, 163 CC	1
2	65254	KEY 3/16 SQ X 7/8	1
3	10625	MUFFLER CAP, HONDA #18331-ZE3-811	1
4	10128	RIVET, BLIND 1/8 X .250L X .262HD	2
5	11541	BARB, PUSH-ON 3/8 HOSE X10MM X 1.25	1
6	56116	HOSE, PUSH-ON 3/8"ID X 3"L	1
7	11544	BARB, PUSH-ON 3/8 HOSE X 1/4FPT	1
8	10776	PIPE PLUG 1/4 NPT (BRASS)	1
9	10918	BOLT, CARRIAGE 5/16-18 X 1-3/4 F.T.	4
10	10025	WASHER, FLAT 3/8 SAE	4
11	10213	WASHER, FLAT 5/16 SAE	4
12	10801	WASHER, LOCK 5/16	4
13	10054	NUT 5/16-18	4
14	36079	BAIL, LIFTING, GASOLINE TROWEL	1
15	10113	SPACER, STEEL 9/16OD X 3/8ID X 7/32	4
16	10332	SCREW, CAP 5/16-24 X 1	4
17	10801	WASHER, LOCK 5/16	4
18	10213	WASHER, FLAT 5/16 SAE	4
19	36075	SPACER, CLUTCH INNER 1-1/4"OD x 3/4"ID x 7/8"THK	1
20	36001	CLUTCH, CENTRIFUGAL 4.75 X 3/4"BORE	1
21	36076	SPACER, CLUTCH OUTER 3/4"OD x 1/2"ID x 1/2"THK	1
22	72006	WASHER, 1-1/4OD X 13/32ID X 1/8THK	1
23	10801	WASHER, LOCK 5/16	1
24	11691	SCREW, CAP 5/16-24 X 1-1/2	1
25	10259	BELT AP-29	1
26	36013	SHEAVE 6"OD X 1GR.A X 3/4"BORE	1
27	36072	COVER, BELT	1
28	10818	BOLT, CARRIAGE 5/16-18 X 3/4 F.T.	3
29	10801	WASHER, LOCK 5/16	3
30	10213	WASHER, FLAT 5/16 SAE	3
31	10054	NUT 5/16-18	3
32	36047	WIRE, SAFETY SWITCH	1
33	10970	CONN., WIRE QUICK-SPLICE 18-14 GA.	1
34	11567	CONNECTOR, BULLET STD. 16-14GA.BLUE	1
35	36042	CLIP, NATURAL CORD, 1/8" X 1/4"	2



A Division of Equipment Development Company, Inc.

ILLUSTRATION 16:
ENGINE GROUPING FOR HONDA GX270

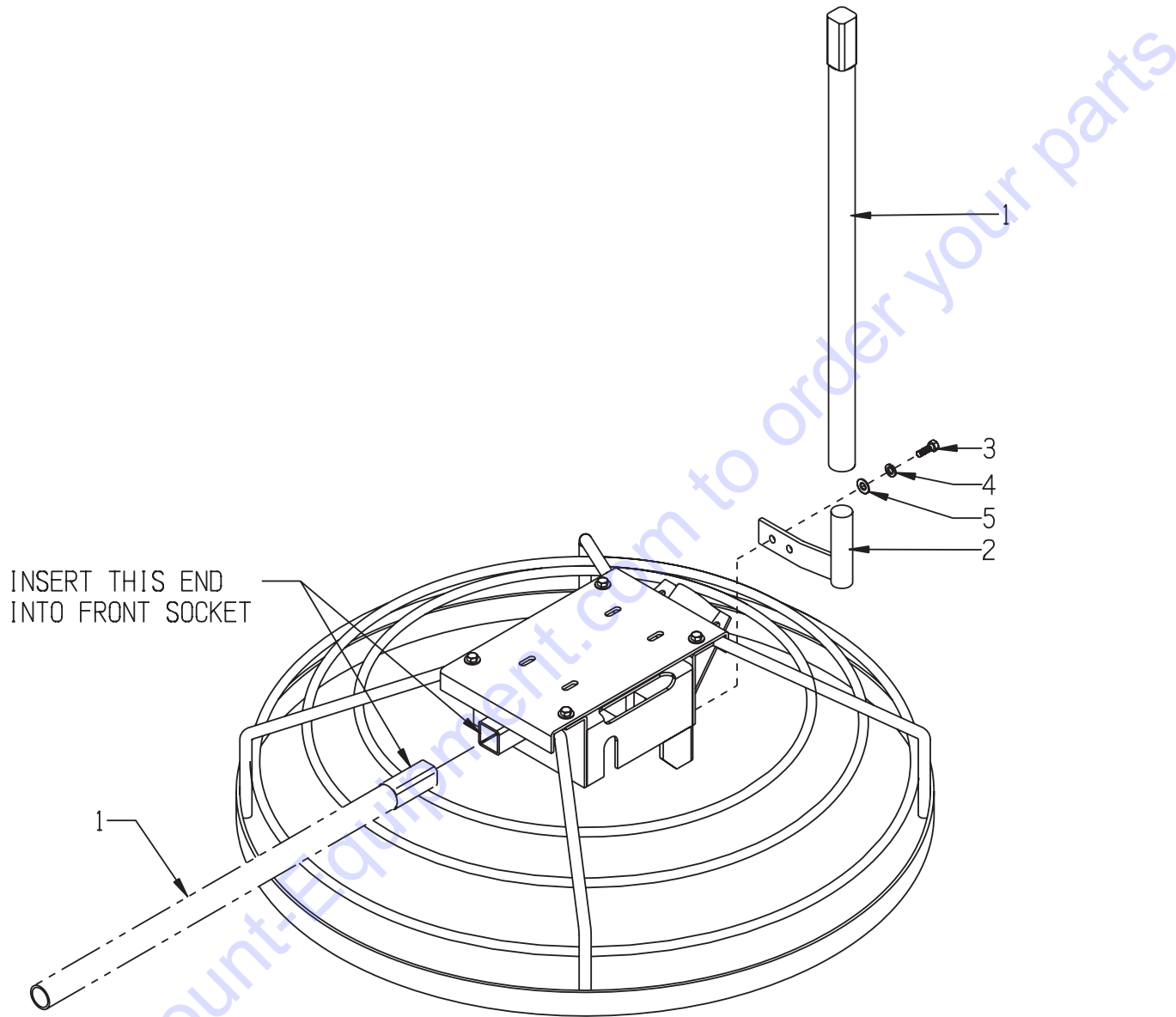


PARTS LISTING - ILLUSTRATION 16 : ENGINE GROUPING FOR HONDA GX270			
ITEM #	PART #	DESCRIPTION	QTY.
1	15053	ENGINE, HONDA GX270UT-QA2 D.E.A.C.	1
2	-----	KEY 1/4SQ. (INCLUDED W/ ENGINE)	1
3	10625	MUFFLER CAP, HONDA #18331-ZE3-811	1
4	10128	RIVET, BLIND 1/8 X .250L X .262HD	2
5	11542	BARB, PUSH-ON 3/8HOSE X 12MM X 1.50	1
6	56116	HOSE, PUSH-ON 3/8"ID X 3"L	1
7	11544	BARB, PUSH-ON 3/8 HOSE X 1/4FPT	1
8	10776	PIPE PLUG 1/4 NPT (BRASS)	1
9	36088	MOUNT, HONDA GX270 ENGINE	1
10	10087	BOLT, CARRIAGE 3/8-16 X 1-3/4 F.T.	4
11	10025	WASHER, FLAT 3/8 SAE	4
12	10811	WASHER, LOCK 3/8	4
13	10404	NUT 3/8-16	4
14	10029	SCREW, CAP 3/8-24 X 1-3/4	4
15	10025	WASHER, FLAT 3/8 SAE	8
16	10014	NUT 3/8-24	4
17	10004	NUT, LOCK 3/8-24	4
18	36079	BAIL, LIFTING, GASOLINE TROWEL	1
19	10011	SPACER, STEEL 5/8OD X 3/8ID X 3/8T	4
20	10048	SCREW, CAP 5/16-24 X 3/4	4
21	10801	WASHER, LOCK 5/16	4
22	10213	WASHER, FLAT 5/16 SAE	4
23	36048	SPACER, CLUTCH INNER 1-1/2"OD x 1"ID x 9/16"THK	1
24	36002	CLUTCH, CENTRIFUGAL 4.75 X 1"BORE	1
25	36049	SPACER, CLUTCH OUTER 1-1/2"OD x 1"ID x 5/16"THK	1
26	10433	WASHER, BELLEVILLE 1/2ID X 3/32THK	1
27	10450	WASHER, LOCK 7/16	1
28	10003	SCREW, CAP 7/16-20 X 1-1/4	1
29	10239	BELT AP-32	1
30	36013	SHEAVE 6"OD X 1GR.A X 3/4"BORE	1
31	36072	COVER, BELT	1
32	10818	BOLT, CARRIAGE 5/16-18 X 3/4 F.T.	3
33	10801	WASHER, LOCK 5/16	3
34	10213	WASHER, FLAT 5/16 SAE	3
35	10054	NUT 5/16-18	3
36	36047	WIRE, SAFETY SWITCH	1
37	10970	CONN., WIRE QUICK-SPLICE 18-14 GA.	1
38	11567	CONNECTOR, BULLET STD. 16-14GA.BLUE	1
39	36042	CLIP, NATURAL CORD, 1/8" X 1/4"	2



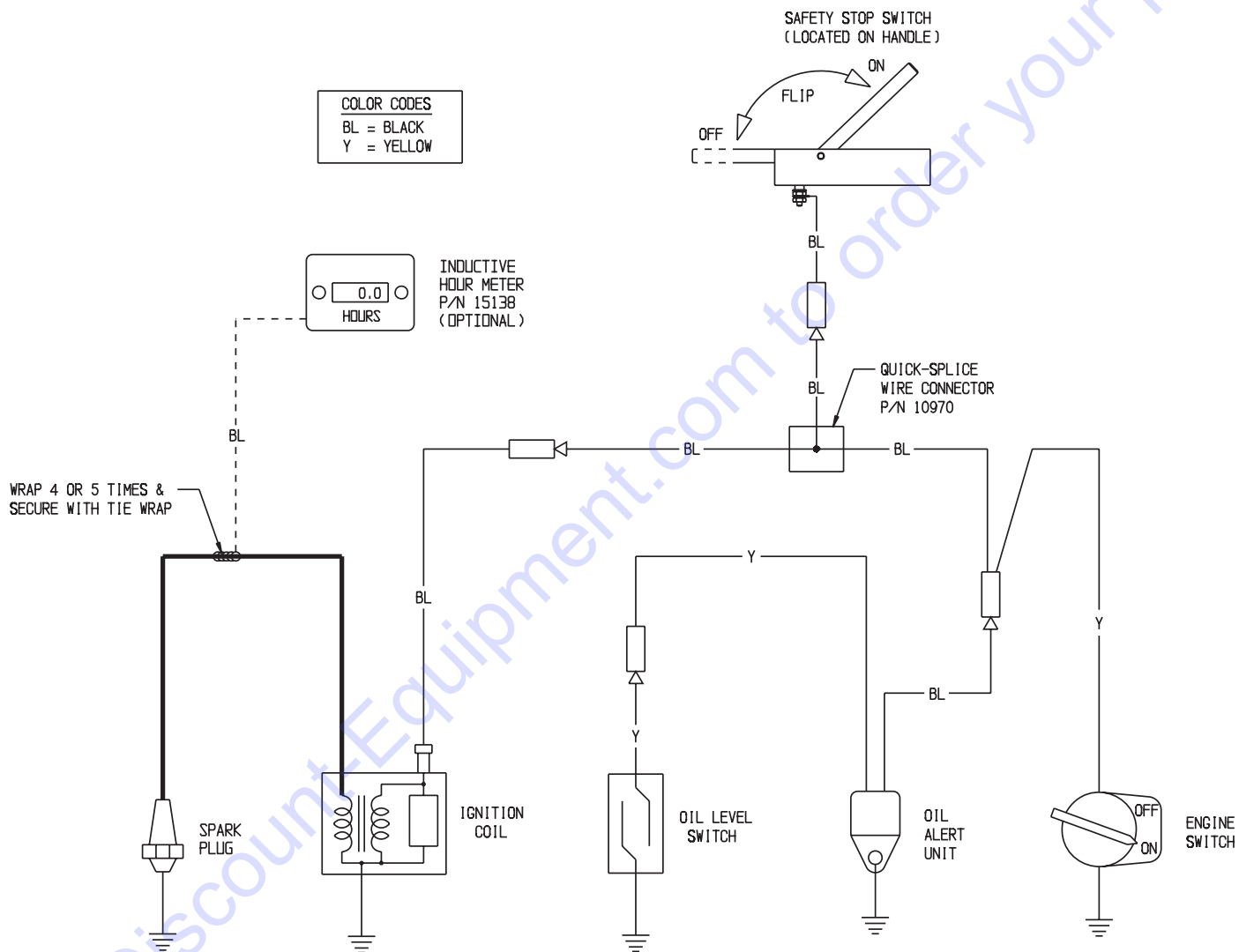
A Division of Equipment Development Company, Inc.

ILLUSTRATION 17: LIFT HANDLE GROUPING



ITEM #	PART #	DESCRIPTION	QTY.
1	36091	HANDLE, LIFT	1
2	36092	HOLDER, LIFT HANDLE	1
3	10021	SCREW, CAP 3/8-24 X 1	2
4	10811	WASHER, LOCK 3/8	2
5	10025	WASHER, FLAT 3/8 SAE	2

ILLUSTRATION 18: WIRING DIAGRAM



PARTS FINDER

**Search Website
by Part Number**



**Search Manual
Library For Parts
Manual & Lookup Part
Numbers – Purchase
or Request Quote**

Search Manuals

Enter your information to help us find the right parts manual for your machine.

* Brand:

* Model:

* Serial:

* Part Number:

SEARCH

**Can't Find Part or
Manual? Request Help
by Manufacturer,
Model & Description**

Parts Order Form

Please fill in the following information to help us find the right part for your machine.

Manufacturer:	<input type="text"/>
Model:	<input type="text"/>
Description:	<input type="text"/>
Part Number:	<input type="text"/>
Quantity:	<input type="text"/>
Notes:	<input type="text"/>
Submit	<input type="button" value="Submit"/>

Discount-Equipment.com is your online resource for quality parts & equipment.

Florida: **561-964-4949** Outside Florida TOLL FREE: **877-690-3101**

Need parts?

Click on this link: <http://www.discount-equipment.com/category/5443-parts/> and choose one of the options to help get the right parts and equipment you are looking for. Please have the machine model and serial number available in order to help us get you the correct parts. If you don't find the part on the website or on one of the online manuals, please fill out the request form and one of our experienced staff members will get back to you with a quote for the right part that your machine needs.

We sell worldwide for the brands: Genie, Terex, JLG, MultiQuip, Mikasa, Essick, Whiteman, Mayco, Toro Stone, Diamond Products, Generac Magnum, Airman, Haulotte, Barreto, Power Blanket, Nifty Lift, Atlas Copco, Chicago Pneumatic, Allmand, Miller Curber, Skyjack, Lull, Skytrak, Tsurumi, Husquvarna Target, Stow, Wacker, Sakai, Mi-T-M, Sullair, Basic, Dynapac, MBW, Weber, Bartell, Bennar Newman, Haulotte, Ditch Runner, Menegotti, Morrison, Contec, Buddy, Crown, Edco, Wyco, Bomag, Laymor, EZ Trench, Bil-Jax, F.S. Curtis, Gehl Pavers, Heli, Honda, ICS/PowerGrit, IHI, Partner, Imer, Clipper, MMD, Koshin, Rice, CH&E, General Equipment, Amida, Coleman, NAC, Gradall, Square Shooter, Kent, Stanley, Tamco, Toku, Hatz, Kohler, Robin, Wisconsin, Northrock, Oztec, Toker TK, Rol-Air, APT, Wylie, Ingersoll Rand / Doosan, Innovatech, Con X, Ammann, Mecalac, Makinex, Smith Surface Prep, Small Line, Wanco, Yanmar