

Revised Starting Serial # 1470



PARTS LIST MANUAL

Model TG-10



10" Turbo Grinder



PARTS FINDER

**Search Website
by Part Number**



**Search Manual
Library For Parts
Manual & Lookup Part
Numbers – Purchase
or Request Quote**

Search Manuals

Enter your information to help us find the right parts manual for your machine.

* Brand:

* Model:

* Serial:

* Part Number:

SEARCH

**Can't Find Part or
Manual? Request Help
by Manufacturer,
Model & Description**

Parts Order Form

Please fill in the following information to help us find the right part for your machine.

Manufacturer:	<input type="text"/>
Model:	<input type="text"/>
Description:	<input type="text"/>
Part Number:	<input type="text"/>
Quantity:	<input type="text"/>
Notes:	<input type="text"/>

Submit

Discount-Equipment.com is your online resource for quality parts & equipment.

Florida: **561-964-4949** Outside Florida TOLL FREE: **877-690-3101**

Need parts?

Click on this link: <http://www.discount-equipment.com/category/5443-parts/> and choose one of the options to help get the right parts and equipment you are looking for. Please have the machine model and serial number available in order to help us get you the correct parts. If you don't find the part on the website or on one of the online manuals, please fill out the request form and one of our experienced staff members will get back to you with a quote for the right part that your machine needs.

We sell worldwide for the brands: Genie, Terex, JLG, MultiQuip, Mikasa, Essick, Whiteman, Mayco, Toro Stone, Diamond Products, Generac Magnum, Airman, Haulotte, Barreto, Power Blanket, Nifty Lift, Atlas Copco, Chicago Pneumatic, Allmand, Miller Curber, Skyjack, Lull, Skytrak, Tsurumi, Husquvarna Target, Stow, Wacker, Sakai, Mi-T-M, Sullair, Basic, Dynapac, MBW, Weber, Bartell, Bennar Newman, Haulotte, Ditch Runner, Menegotti, Morrison, Contec, Buddy, Crown, Edco, Wyco, Bomag, Laymor, EZ Trench, Bil-Jax, F.S. Curtis, Gehl Pavers, Heli, Honda, ICS/PowerGrit, IHI, Partner, Imer, Clipper, MMD, Koshin, Rice, CH&E, General Equipment, Amida, Coleman, NAC, Gradall, Square Shooter, Kent, Stanley, Tamco, Toku, Hatz, Kohler, Robin, Wisconsin, Northrock, Oztec, Toker TK, Rol-Air, APT, Wylie, Ingersoll Rand / Doosan, Innovatech, Con X, Ammann, Mecalac, Makinex, Smith Surface Prep, Small Line, Wanco, Yanmar

READ AND UNDERSTAND THE OPERATORS INSTRUCTION MANUAL THOROUGHLY BEFORE ATTEMPTING TO OPERATE THIS EQUIPMENT. Death or serious injury could occur if this machine is used improperly.



SAFETY MESSAGES



The safety instructions are preceded by a graphic alert message of DANGER, WARNING, or CAUTION.



Indicates an imminent hazard which, if not avoided, will result in death or serious injury.



Indicates an imminent hazard which, if not avoided, can result in death or serious injury.



Indicates hazards which, if not avoided, could result in serious injury and or damage to the equipment.

GASOLINE

Powered Equipment



- Do not operate gasoline powered equipment without adequate ventilation. Carbon monoxide is an invisible, odorless gas that can kill.

ELECTRICAL

Powered Equipment



- ELECTRICAL HAZARD** - Be sure equipment is properly grounded. Failure to comply could kill or result in serious injury.



The engine exhaust from this product contains chemicals known to the State of California to cause cancer, birth defects or other reproductive harm.

GENERAL INSTRUCTIONS



- You must read and understand the operators instruction manual and all other manuals associated with this machine. For your safety and the safety of others around you, it is extremely important to fully understand how to operate this machine in the way it was intended. Different model machines or older/newer versions of the same model may have different parts and controls that you need to understand. If instructions are not readable or available DO NOT USE this machine and contact Discount-equipment for a replacement Manual.
- You must be able to physically handle the bulk weight and power of this machine. If not properly controlled this machine can cause death or serious injury.
- Do not operate this machine in an impaired mental state. You must be able to exercise good judgement and reactions to maintain a safe working environment.
- This is a "one person" machine which means only one operator can be operating the machine at any one time. For the safety of others, maintain a safe operating distance to other personnel. Your work area should be defined and appropriately marked so bystanders and coworkers do not stand or walk near this machine and end up seriously injured by flying debris or exposing them to harmful noise or dust.
- This equipment is for Commercial use. Although this is a "one person" machine your work team should understand how to shut this machine off and quickly get medical help if an accident strikes the operator.
- Keep all guards in place during operation. The guards are to provide protection from inadvertent contact with dangerous moving parts, pinch points, or hot surfaces.
- Wear appropriate Personal Protective Equipment (PPE) including safety glasses, safety boots, work gloves, respiratory protection,

hearing protection, and head protection. Do not wear loose clothing that can get tangled in moving parts. Failure to do so could result in dismemberment or death. **Wear an approved respirator when removing hazardous materials or when grinding/cutting dry materials. Some dust particles such as concrete dust can contain silicate particles which can cause silicosis (a very serious lung disease). Contact NIOSH or OSHA for further details. When wet grinding/cutting, avoid contact with the concrete/asphalt slurry which can cause serious skin irritations.**

- You must maintain this machine per the maintenance schedule in the operator manual. Remember before adjusting, servicing, or fueling this machine, disconnect the source of power to the machine by disconnecting the spark plug (Gas models), or by unplugging the electrical power cord (electric models) or air hose (Pneumatic models) AT THE MACHINE so you can assure yourself it remains unplugged while you are working on it. Do not modify this machine. Use only genuine EDCO parts and accessories. Repairs and service should be performed by approved EDCO dealers or authorized technicians.
- You should look carefully around the area before you begin work so you can identify potential hazards such as deck inserts, pipes, columns, openings, electrical cords or outlets, or any other objects protruding from the slab surface.
- This machine has no brain so you must use your own. There is no substitute for safety. The safety decals on the machine are to serve as a reminder for information you must already know before you begin using this machine. Take a moment to reread the safety decals each time you use the machine. If your machine is missing any decals, contact Discount-equipment for a replacement.

PARTS LIST MANUAL

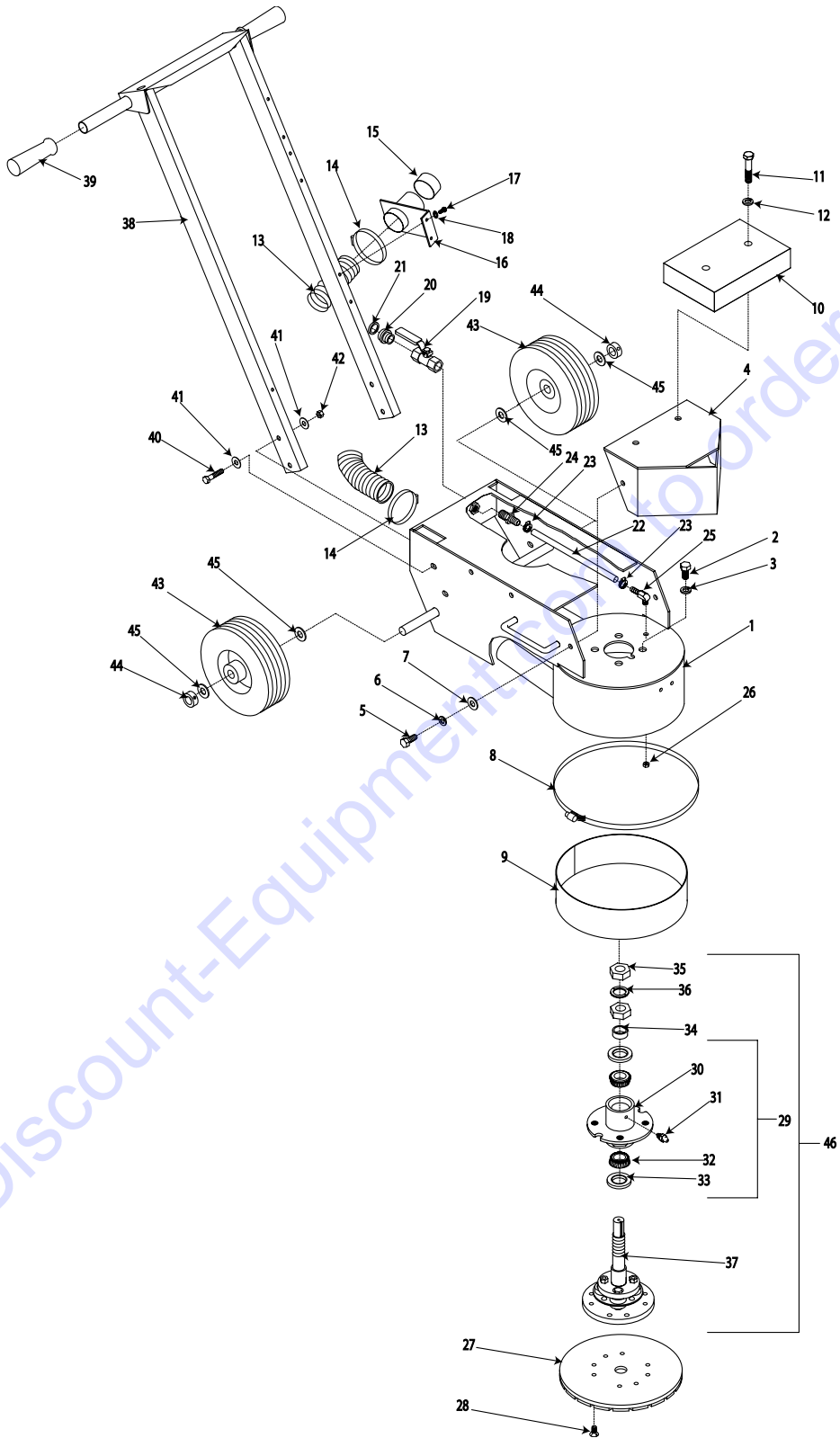
EDCO MODEL TG-10

Section	Page Number
Safety Messages and General Instructions	2
How To Order Replacement Parts	3
Illustration 1: Main Assembly Grouping	4
Parts Listing - Illustration 1 : Main Assembly Grouping	5
Illustration 2: Rigid Head Assembly	6
Parts Listing - Illustration 2: Rigid Head Assembly	6
Illustration 3: Flex Head Assembly	7
Parts Listing - Illustration 3 : Flex Head Assembly	7
Illustration 4: Engine Grouping	8
Parts Listing - Illustration 4 : Engine Grouping	9
Illustration 5: Propane Grouping	10
Parts Listing - Illustration 5 : Propane Grouping	11
Illustration 6: Motor Grouping	12
Parts Listing - Illustration 6 : Motor Grouping	13
Illustration 7: Optional Ball Caster Depth Stop Kit & Weight	14
Parts Listing - Illustration 7 : Optional Ball Caster Depth Stop Kit & Weight ...	15
Limited Equipment Warranty	back cover

10" TURBO GRINDERS

*PART #	MODEL	POWER OPTION
56600	TG10-11H	11HP HONDA GASOLINE
56700	TG10-11P	11HP HONDA PROPANE
56800-230	TG10-5B/230/3	5HP BALDOR, 230 VOLT, 3 PHASE
56800-460	TG10-5B/460/3	5HP BALDOR, 460 VOLT, 3 PHASE
56900	TG10-5B/230/1	5HP BALDOR, 230 VOLT, 1 PHASE
* ADD -F SUFFIX TO PART # FOR TURBO GRINDER w/ FLEXIBLE STYLE HEAD		

ILLUSTRATION 1: MAIN ASSEMBLY GROUPING

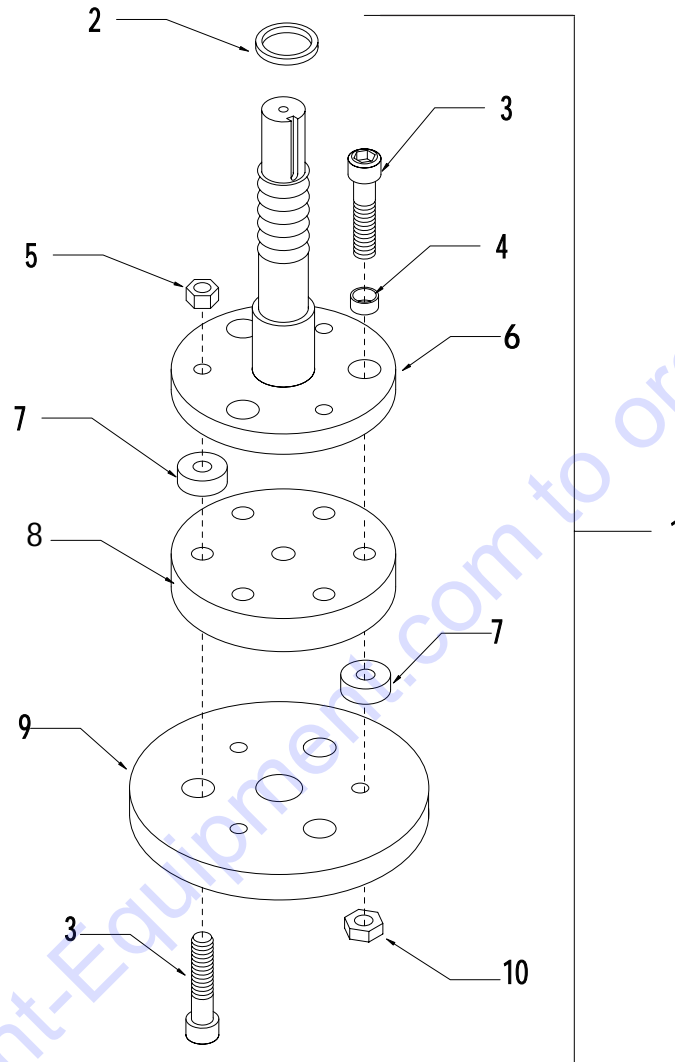


PARTS LISTING - ILLUSTRATION 1: MAIN ASSEMBLY GROUPING

ITEM#	PART#	DESCRIPTION	QTY.	ITEM#	PART#	DESCRIPTION	QTY.
1	86336	MAIN FRAME	1	24	10657	BARB. PUSH-ON 3/8 HOSE x 1/4 MPT	1
2	10321	SCREW, CAP 1/2-20 x 1-1/4	4	25	11562	BARB, ELBOW 90°, 3/8 HOSE x 1/8 MPT	1
3	10045	WASHER, LOCK 1/2	4	26	10864	NUT 1/8-27 PIPE THREAD	1
4	86303	HOOD	1	27	19166	10" DIAMOND DISC -MULTI-PURPOSE (REFER TO ACCESSORY PRICE LIST FOR OTHER STYLE DISCS)	1
5	10907	SCREW, CAP 3/8-16 x 3/4	2	28	86108	SCREW, FLAT HEAD SKT. 3/8-24 x 3/4	4
6	10811	WASHER, LOCK 3/8	2	29	86320A	HUB ASSEMBLY w/ BRGS. & SEALS (ITEMS 30-33)	1
7	10025	WASHER, FLAT 3/8	2	30	86320HG	HUB ONLY w/ RACES & GREASE FITTING HOLE	1
8	86338	CLAMP, HOSE , SAE #188, 12-1/4	1	31	10808	FITTING, GREASE 1/4-28 STRAIGHT	1
9	86337	RUBBER, SKIRT 2" H x 35 1/8" L	1	32	86321	BEARING, TAPERED ROLLER 1" ID CONE	2
10	86345	WEIGHT BLOCK, 30 LB. (ELEC. ONLY)	1	33	86322	SEAL, BEARING HUB 1-1/4	2
11	10323	SCREW, CAP 1/2-13 x 2-1/2 (ELEC. ONLY)	2	34	86319	SPACER, HUB BEARING	2
12	10045	WASHER, LOCK 1/2 (ELEC. ONLY)	2	35	50019	NUT, JAM 1-14	2
13	86328	HOSE, FLEXIBLE, 2" ID x 34-1/2	1	36	86323	WASHER, NORD-LOCK 1" (PAIR)	1
14	10745	CLAMP, HOSE, SAE #32, ADJ. TO 2-1/4"	2	37		HEAD ASSEMBLY (SEE ILLUSTRATION #2 & 3)	1
15	65021	PLUG, CAP 2"	1	38	86304	HANDLE BAR	1
16	86307	VAC. PORT BRACKET, 2"	1	39	10608	GRIP, HAND 1" MODEL AT	2
17	10877	SCREW, CAP STSHW 10-24 x 1/2	2	40	10029	SCREW, CAP 3/8-24 x 1-3/4	4
18	10831	WASHER, LOCK, INT. TOOTH #10	2	41	10025	WASHER, FLAT 3/8	8
19	10711	VALVE, BALL 1/2 FPT	1	42	10004	NUT, LOCK 3/8-24	4
20	80021	CONN., SWIVEL FEM. 3/4 HOSE x 1/2 MPT (INCL. #21)	1	43	79013	WHEEL 8 x 2-1/2 x 3/4" BRG.	2
21	10070	WASHER, HOSE (INCL. w/ #20)	1	44	10428	COLLAR, LOCKING 3/4" ID	2
22	86329	HOSE 3/8 ID x 19-1/4	1	45	10009	WASHER, FLAT 3/4	4
23	50069	CLAMP, HOSE, SAE #6, ADJ. TO 13/16	2	46		HEAD ASSY. w/ BRG. (ITEMS 29-37)	1
					86333	RIGID STYLE	
					86326	FLEXIBLE STYLE	

ILLUSTRATION 2: RIGID HEAD ASSEMBLY

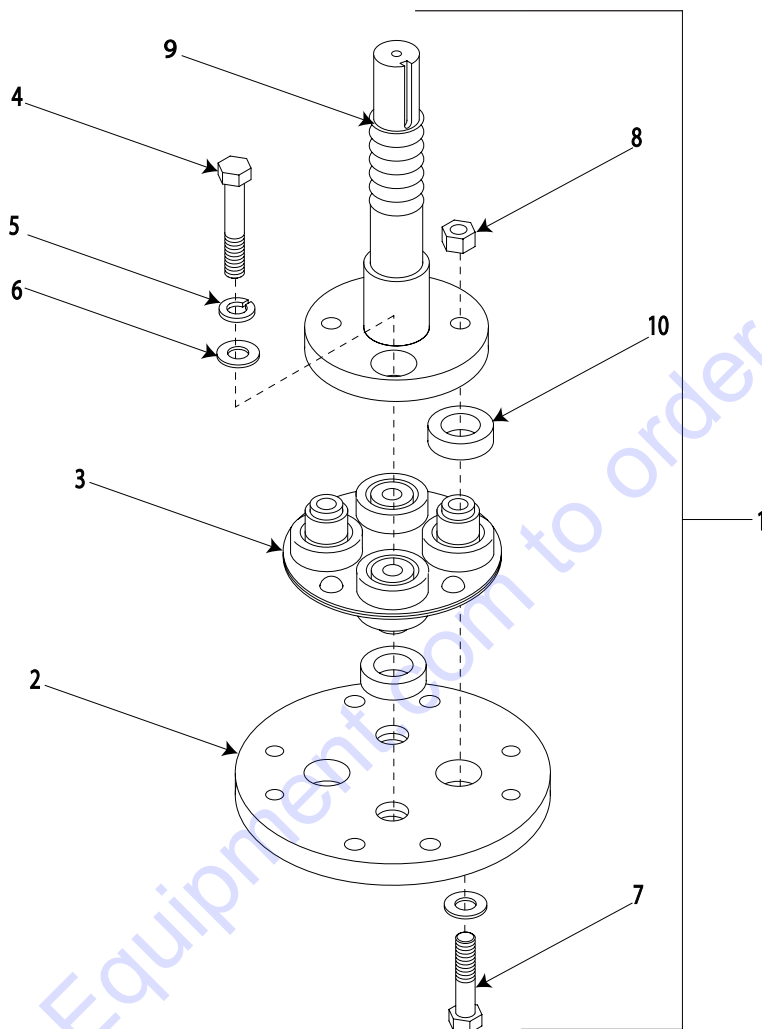
STANDARD



ITEM #	PART #	DESCRIPTION	QTY.
1	86333LB	HEAD ASSY. LESS BRG., RIGID (INCLUDES ITEMS # 2-10)	1
2	68017	SPACER STEEL, 1-1/4" OD x 1" ID x 5/32" THK.	1
3	86111	SCREW, SKT. HD. CAP 7/16-20 x 2 (GRD. 8)	6
4	86112	SPACER, STEEL 5/8" OD x 7/16" ID x 1/4" THK.	3
5	10481	NUT, 7/16-20 (NOTE: USE RED LOCTITE)	3
6	86334	FLANGE w/ SHAFT, RIGID HEAD	1
7	40329	BUSHING, RUBBER 1" OD x 3/8" ID x 3/8" THK.	6
8	86132S	SPACER, DIAMOND HEAD, STEEL	1
9	86133	DIAMOND HEAD MOUNTING DISC, RIGID HEAD	1
10	11641	NUT, JAM 7/16-20	3

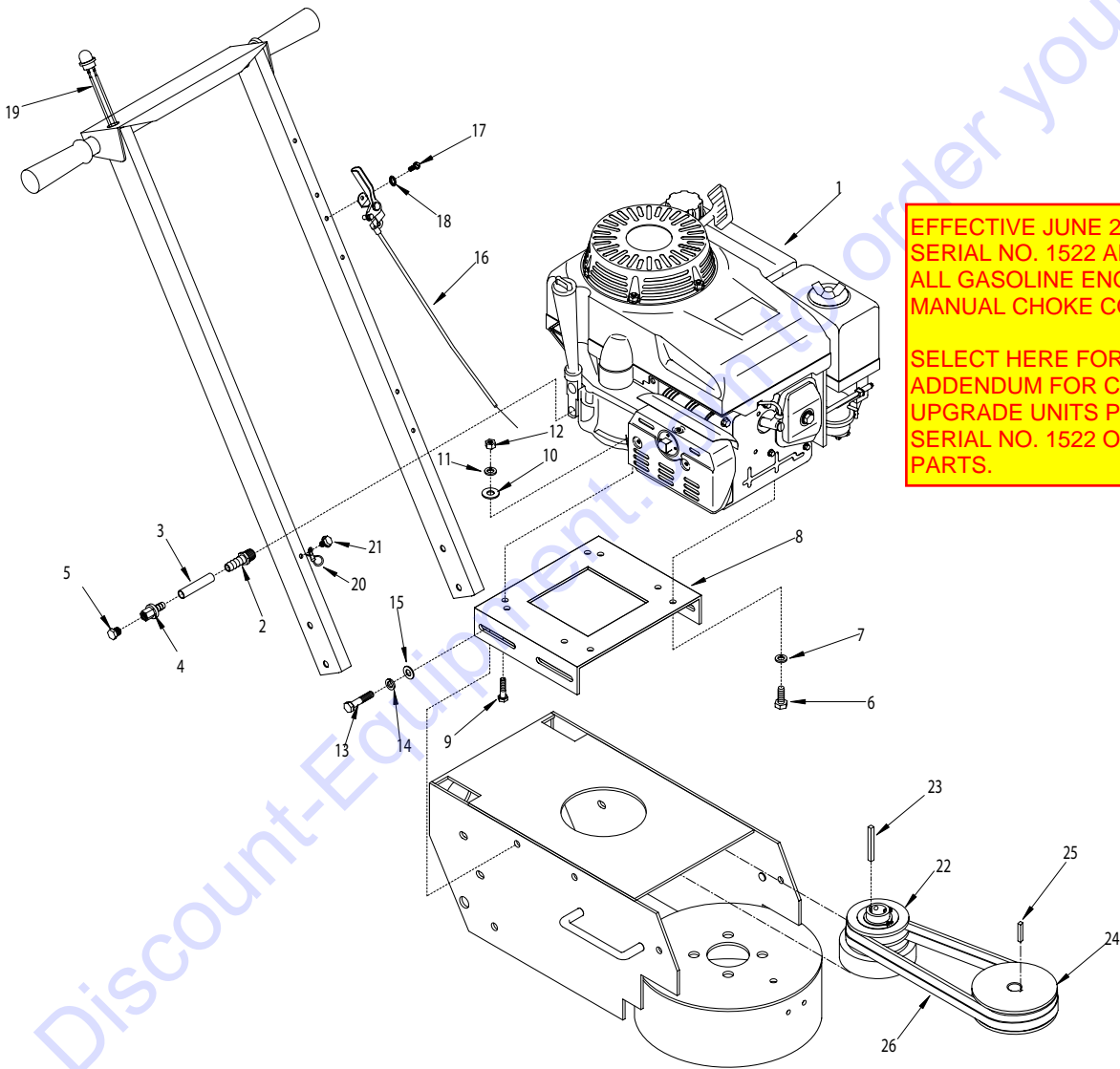
ILLUSTRATION 3: FLEX HEAD ASSEMBLY

OPTIONAL



ITEM #	PART #	DESCRIPTION	QTY.
1	86326LB	HEAD ASSY. LESS BRG., FLEX (INCLUDES ITEMS # 2-10)	
2	86309	MOUNTING DISC, FLEX HEAD	1
3	86017	COUPLING, MORFLEX 402	1
4	10030	SCREW, CAP 3/8-24 x 2 (USE RED LOCTITE)	2
5	10811	WASHER, LOCK 3/8	2
6	10025	WASHER, FLAT 3/8	4
7	10336	SCREW, CAP 3/8-24 x 2-1/4	2
8	10004	NUT, LOCK 3/8-24	2
9	86308	FLANGE w/ SHAFT, FLEX HEAD	1
10	86343	BUSHING, RUBBER 1-1/4 x 3/4 x 3/8	4

ILLUSTRATION 4 : ENGINE GROUPING



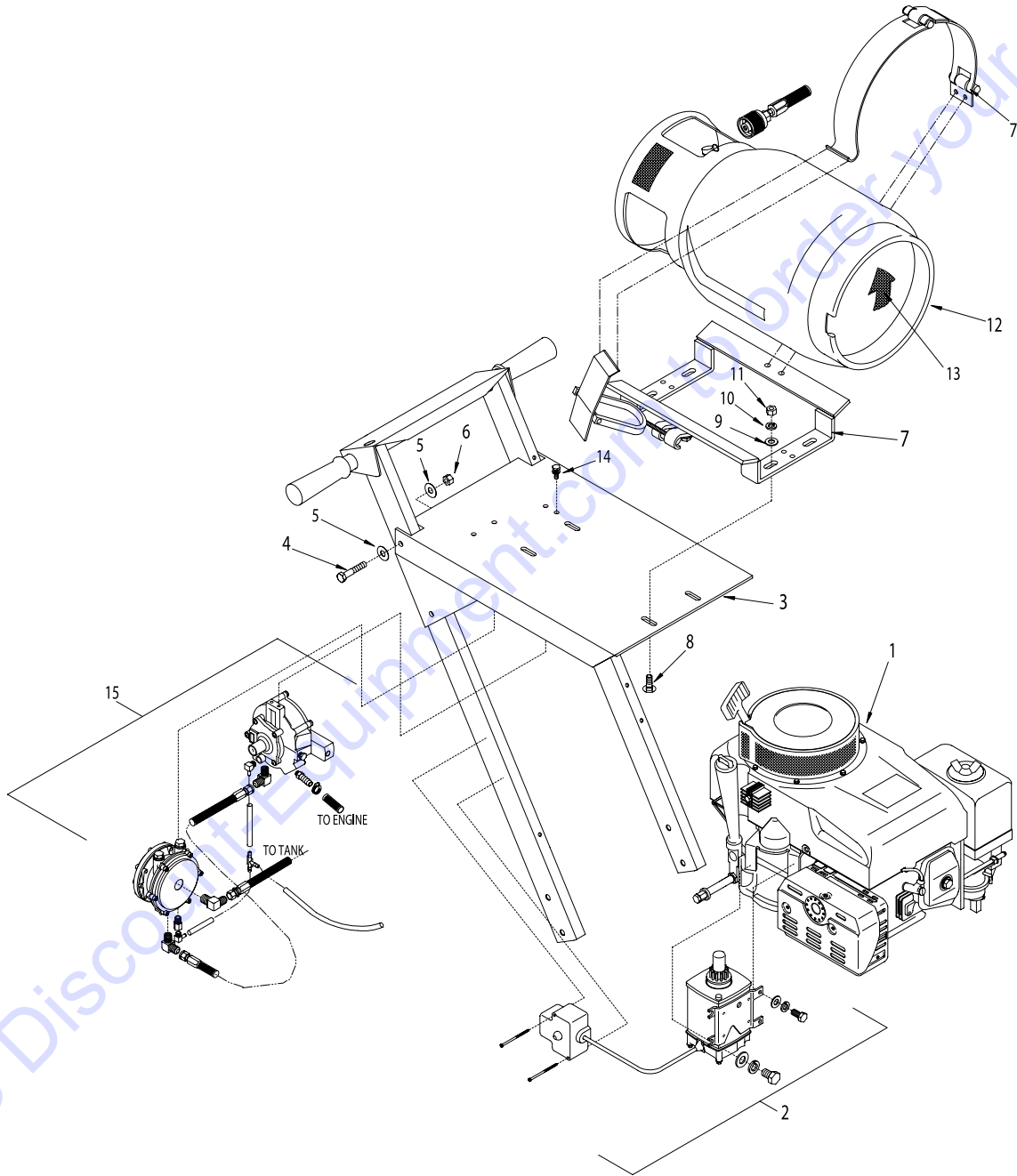
EFFECTIVE JUNE 2005
SERIAL NO. 1522 AND UP
ALL GASOLINE ENGINES HAVE A
MANUAL CHOKE CONTROL.
SELECT HERE FOR PARTS LIST
ADDENDUM FOR CHOKE KIT TO
UPGRADE UNITS PRIOR TO
SERIAL NO. 1522 OR TO REPLACE
PARTS.



PARTS LISTING - ILLUSTRATION 4 : ENGINE GROUPING

ITEM #	PART #	DESCRIPTION	QTY.
1	76004	ENGINE, HONDA 11HP GXV340 K2-DX3	1
2	11543	BARB, PUSH-ON 3/8 HOSE x 20mm x 1.50	1
3	56116	HOSE, PUSH-ON 3/8 ID x 3"L	1
4	11544	BARB, PUSH-ON 3/8 HOSE x 1/4 FPT	1
5	10776	PIPE PLUG 1/4 NPT (BRASS)	1
6	10048	SCREW, CAP 5/16-24 x 3/4	2
7	10801	WASHER, LOCK 5/16	2
8	86311	MOUNT, ENGINE/MOTOR	1
9	10342	SCREW,CAP 5/16-18 x 1-1/2	2
10	10213	WASHER, FLAT 5/16	2
11	10801	WASHER, LOCK 5/16	2
12	10054	NUT 5/16-18	2
13	10021	SCREW, CAP 3/8-24 x 1	4
14	10811	WASHER, LOCK 3/8	4
15	10025	WASHER, FLAT 3/8	4
16	40388	THROTTLE CABLE, LEVER-TYPE, 24" (TRIM 17")	1
17	10877	SCREW, CAP STSHW 10-24 x 1/2	2
18	10831	WASHER, LOCK, INT. TOOTH # 10	1
19	50010	SWITCH KIT, STOP BUTTON, 7/8" HOLE	1
20	50084	TERM. RING #10, 16-14 GA. INSULATED	1
21	10877	SCREW, CAP STSHW 10-24 x 1/2	1
22	76024	CLUTCH, CENTRIFUGAL 3.5 x 2GR. x 1	1
23	10071	KEY 1/4 SQ. x 2-1/2	1
24	86318	SHEAVE 5"OD x 2GR.B x 7/8 BORE	1
25	50523	KEY 3/16 SQ. x 1-1/8	1
26	10035	BELT 5L-330 (REFER TO SERIAL NO. PLATE)	2

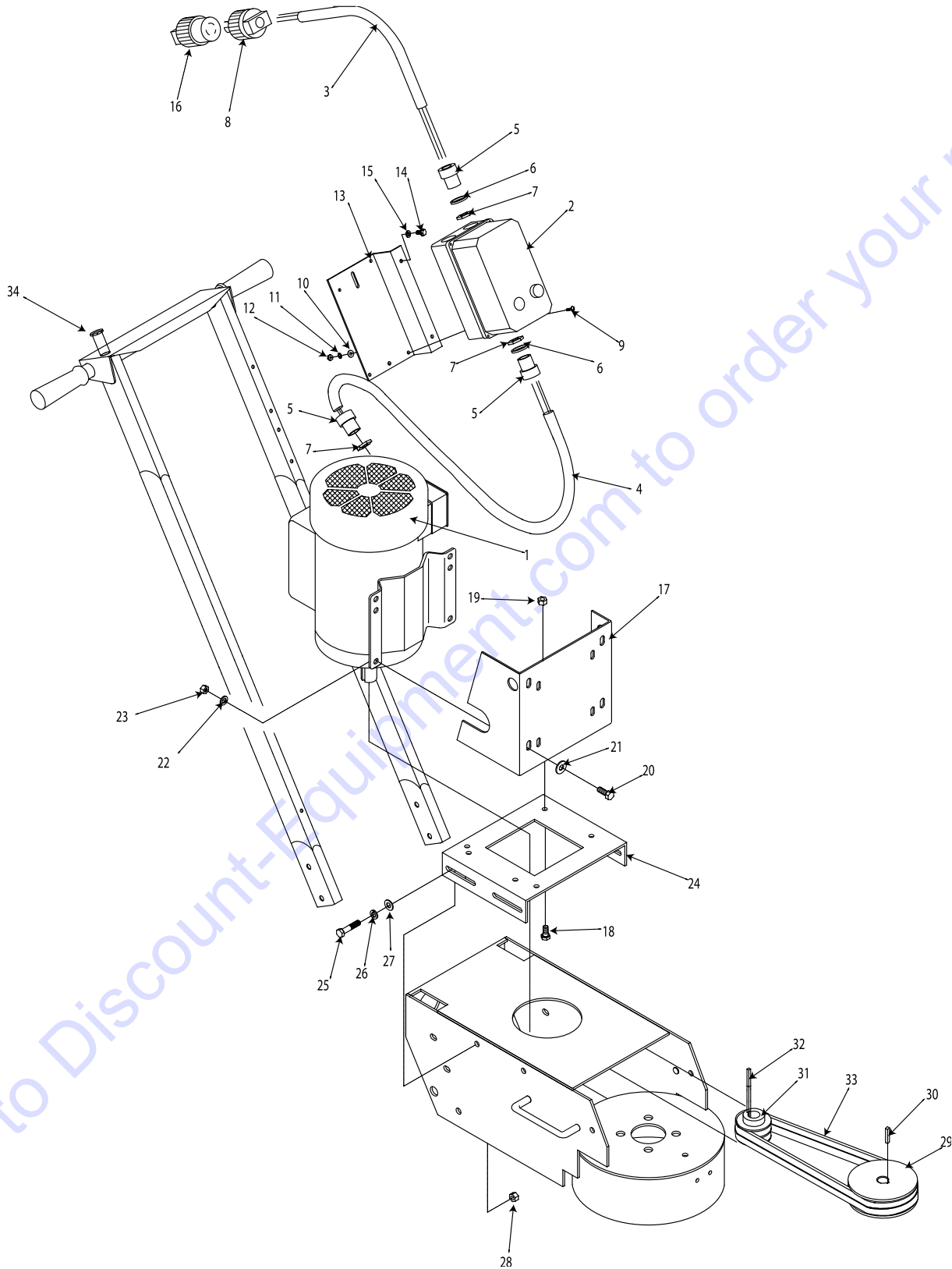
ILLUSTRATION 5 : PROPANE GROUPING



PARTS LISTING - ILLUSTRATION 5 : PROPANE GROUPING

ITEM #	PART #	DESCRIPTION	QTY.
1	15012	ENGINE, HONDA 11HP GXV-340A2-DP23 PROPANE	1
2	15126	STARTER KIT, ELECTRIC 120 VOLT AC (INCLUDES EXTENSION CORD - NOT SHOWN)	1
3	86327	MOUNT, PROPANE TANK, TG-10	1
4	10029	SCREW, CAP 3/8-24 x 1-3/4	4
5	10025	WASHER, FLAT 3/8	8
6	10004	NUT, LOCK 3/8-24	4
7	77061	PROPANE TANK MOUNT COMPLETE	1
8	10802	BOLT, CARRIAGE 3/8-16 x 1	4
9	10025	WASHER, FLAT 3/8	4
10	10811	WASHER, LOCK 3/8	4
11	10404	NUT 3/8-16	4
12	15130	PROPANE TANK 20LB HORZ. w/ ACME VALVE	1
13	91122	DECAL, ARROW, RED, 3 x 3	1
14		SCREW w/ WASHER, CAP 1/4-20 x 5/8 (C/W VAPOR KIT)	4
15	15102	VAPOR KIT for HONDA GXV340A2-DP23	1

ILLUSTRATION 6 : ELECTRIC MOTOR GROUPING

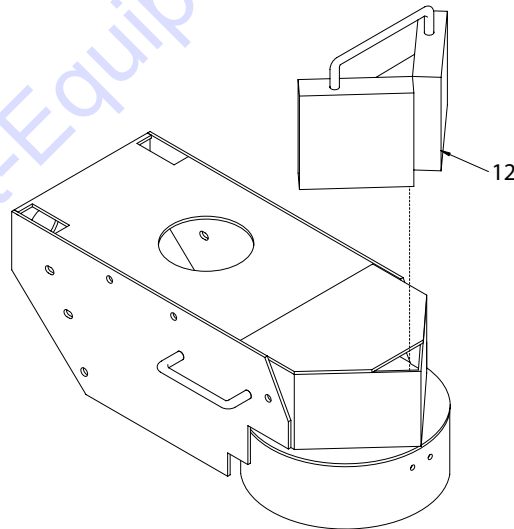
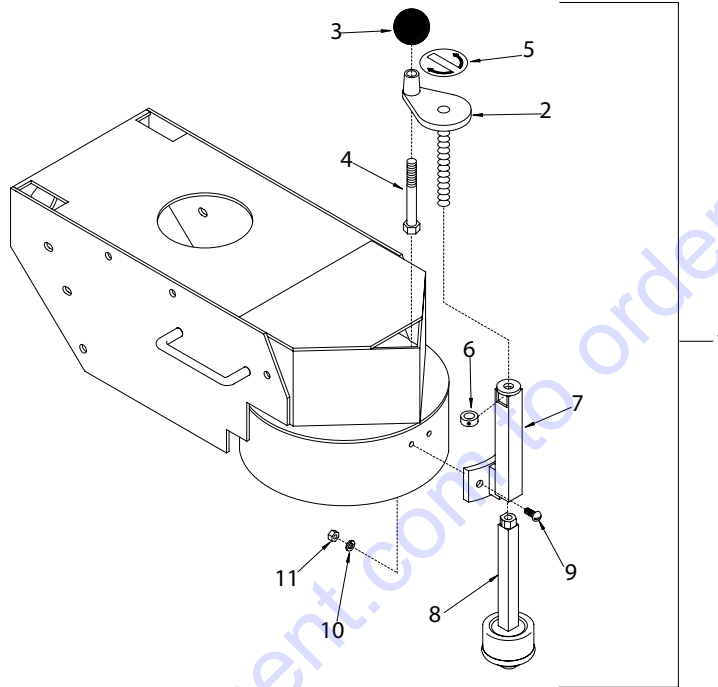


PARTS LISTING - ILLUSTRATION 6 : ELECTRIC MOTOR GROUPING			
ITEM #	PART #	DESCRIPTION	QTY.
1		MOTOR, BALDOR	1
	81026	5.0 HP - 1 PHASE - 60 Hz - 230V 3450 RPM	
	81022	5.0 HP - 3 PHASE - 60Hz - 230V/460V 3450 RPM	
2		STARTER, LOVATO	1
	16410	1 PH - 60Hz - 230V (11-M1-BRF-P30-26-23060)	
	16405	3 PH - 60Hz - 230V (11-M1-BRF-P23-23-23060)	
	16406	3 PH - 60Hz - 460V (11-M1-BRF-P14-10-46060)	
3		WIRE HARNESS, STARTER / PLUG	1
	86026	10/3" x 24" LOA (1 PHASE UNITS)	
	86022	12/4" x 24" LOA (3 PHASE UNITS)	
4		WIRE HARNESS, STARTER / MOTOR	1
	86331	10/3" x 36" LOA (1 PHASE UNITS)	
	86332	12/4" x 36" LOA (3 PHASE UNITS)	
5	10605	CONNECTOR, STRAIN RELIEF 3/4 NPT x .650 - .750	3
6	77081	WASHER, FLAT 1-9/16 x 1-1/16 x .06	2
7	10740	CONDUIT LOCK NUT 3/4 NP	3
8	40037	PLUG, LOCKING 20A/250V (SEE NOTE)	1
9	10362	SCREW, MACHINE 8-32 x 3/4	4
10	12112	WASHER, RIVET #9 5/32 x 7/16 x 3/64	4
11	10461	WASHER, LOCK, INT. TOOTH #8	4
12	10462	NUT 8-32	4
13	86027	MOUNTING BRACKET, LOVATO STARTER	1
14	10846	SCREW, CAP STSHW 1/4-20 x 1/2	2
15	10038	WASHER, LOCK 1/4	2
16	40000	PLUG CONNECTOR, LOCKING 20A/250V (SEE NOTE)	1
17	86312	MOUNT, MOTOR	1
18	10907	SCREW, CAP 3/8-16 x 3/4	4
19	10810	NUT, LOCK 3/8-16	4
20	10021	SCREW, CAP 3/8-24 x 1	4
21	10025	WASHER, FLAT 3/8	4
22	10811	WASHER, LOCK 3/8	4
23	10014	NUT 3/8-24	4
24	86311	ENGINE/MOTOR MOUNT	1
25	10021	SCREW, CAP 3/8-24 x 1	4
26	10811	WASHER, LOCK 3/8	4
27	10025	WASHER, FLAT 3/8	4
28	10014	NUT 3/8-24	4
29	86344	SHEAVE 4.55"OD x 2Gr.B x 7/8 BORE	1
30	50523	KEY 3/16" SQ. x 1-1/8	1
31	79023	SHEAVE 3" OD x 2 Gr.B x 1-1/8" BORE	1
32	10115	KEY 1/4" SQ. x 2	1
33	10035	BELT 5L - 330 (REFER TO SERIAL NO. PLATE)	2
34	10005	PLUG, HOLE 7/8" (CHROME)	1

NOTE: PLUG & CONNECTOR (ITEMS # 8 & 16) ARE NOT SUPPLIED ON 3 PHASE UNITS.



ILLUSTRATION 7: OPTIONAL BALL CASTER DEPTH STOP KIT & WEIGHT

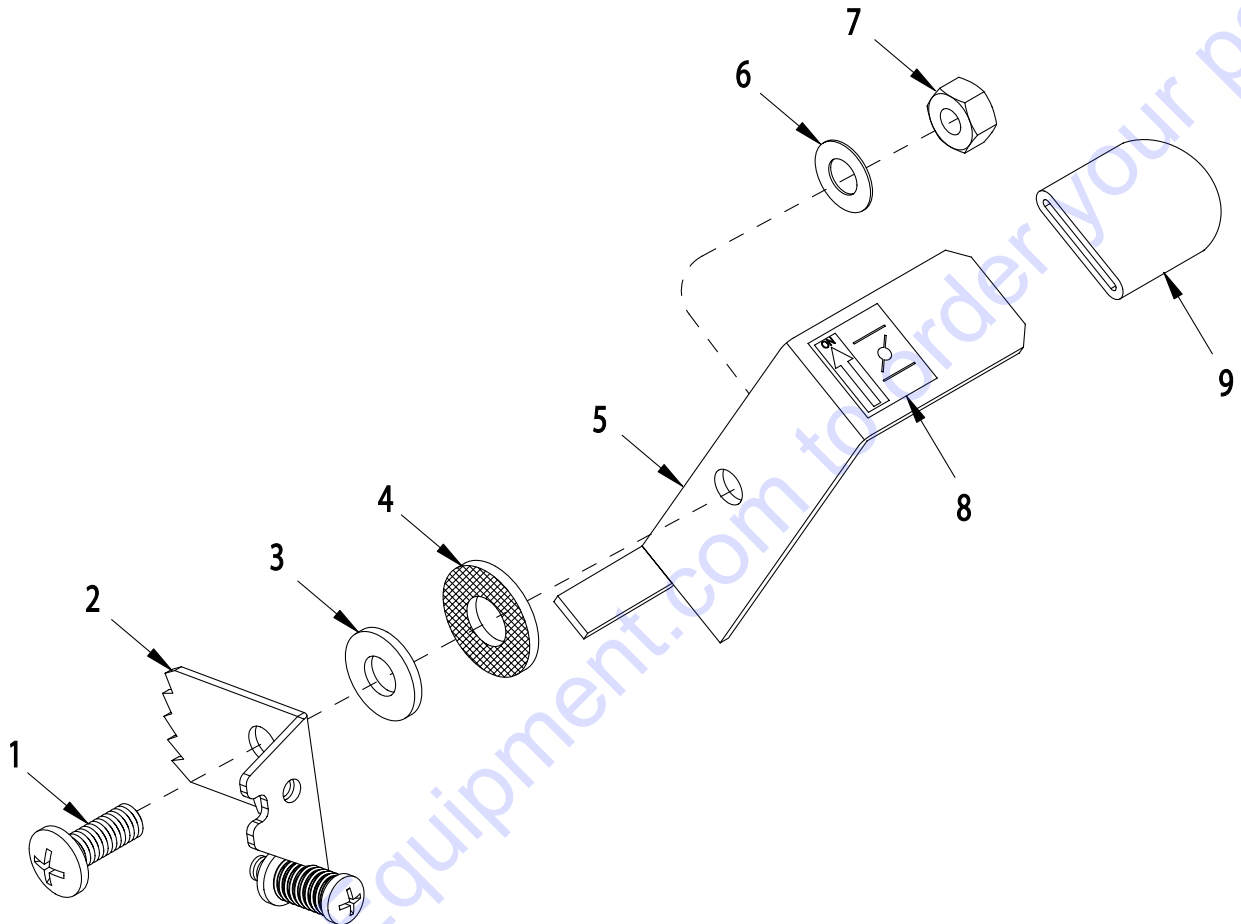


PARTS LISTING - ILLUSTRATION 7: OPTIONAL BALL CASTER DEPTH STOP KIT & WEIGHT

ITEM#	PART#	DESCRIPTION	QTY.
1	86330	BALL CASTER DEPTH STOP KIT (INCLUDES ITEMS # 2-11)	
2	86313	HANDWHEEL, SMALL w/ ROD	1
3	10104	KNOB, BALL 1-7/8 DIA. w/ 1/2-13 THD., BLK.	1
4	81001	SCREW, CAP 1/2-13 x 4	1
5	80007	DECAL, DEPTH STOP, DN/UP (SMALL)	1
6	86316	COLLAR, LOCKING 1/2"	1
7	86314	SUPPORT, DEPTH STOP	1
8	86315	BALL - CASTER WELDMENT	1
9	10818	BOLT, CARRIAGE 5/16-18 x 3/4	2
10	10801	WASHER, LOCK 5/16	2
11	10054	NUT 5/16-18	2
12	86340	WEIGHT, 30 LB.	1

MANUAL CHOKE KIT

FOR HONDA GXV340 11 HP PART #15190



ITEM#	PART#	DESCRIPTION	QTY.
1	15185	SCREW, MACHINE M6 X 16MM PHILLIP HD	1
2	-----	BREAKAWAY VIEW OF ENGINE THROTTLE BRACKET (SHOWN FOR MOUNTING DETAIL)	-
3	10602	WASHER, FLAT 1/4 SAE	1
4	15187	WASHER, FIBER .75 X .25 X .093	1
5	15183	LEVER, CHOKE CONTROL	1
6	15186	WASHER, BELLEVILLE .500 X .255 X .018	1
7	28026	NUT, HEX NYLON LOCK M6 X 1MM	1
8	91301	DECAL, CHOKE 5/8 X 5/8	1
9	15184	CAP, FLAT RED .062 X .75 X 1	1

PARTS FINDER

**Search Website
by Part Number**



**Search Manual
Library For Parts
Manual & Lookup Part
Numbers – Purchase
or Request Quote**

Search Manuals

Enter your information to help us find the right parts manual for your machine.

* Brand:

* Model:

* Serial:

* Part Number:

SEARCH

**Can't Find Part or
Manual? Request Help
by Manufacturer,
Model & Description**

Parts Order Form

Please fill in the following information to help us find the right part for your machine.

Manufacturer:	<input type="text"/>
Model:	<input type="text"/>
Description:	<input type="text"/>
Part Number:	<input type="text"/>
Quantity:	<input type="text"/>
Notes:	<input type="text"/>

Submit

Discount-Equipment.com is your online resource for quality parts & equipment.

Florida: **561-964-4949** Outside Florida TOLL FREE: **877-690-3101**

Need parts?

Click on this link: <http://www.discount-equipment.com/category/5443-parts/> and choose one of the options to help get the right parts and equipment you are looking for. Please have the machine model and serial number available in order to help us get you the correct parts. If you don't find the part on the website or on one of the online manuals, please fill out the request form and one of our experienced staff members will get back to you with a quote for the right part that your machine needs.

We sell worldwide for the brands: Genie, Terex, JLG, MultiQuip, Mikasa, Essick, Whiteman, Mayco, Toro Stone, Diamond Products, Generac Magnum, Airman, Haulotte, Barreto, Power Blanket, Nifty Lift, Atlas Copco, Chicago Pneumatic, Allmand, Miller Curber, Skyjack, Lull, Skytrak, Tsurumi, Husquvarna Target, Stow, Wacker, Sakai, Mi-T-M, Sullair, Basic, Dynapac, MBW, Weber, Bartell, Bennar Newman, Haulotte, Ditch Runner, Menegotti, Morrison, Contec, Buddy, Crown, Edco, Wyco, Bomag, Laymor, EZ Trench, Bil-Jax, F.S. Curtis, Gehl Pavers, Heli, Honda, ICS/PowerGrit, IHI, Partner, Imer, Clipper, MMD, Koshin, Rice, CH&E, General Equipment, Amida, Coleman, NAC, Gradall, Square Shooter, Kent, Stanley, Tamco, Toku, Hatz, Kohler, Robin, Wisconsin, Northrock, Oztec, Toker TK, Rol-Air, APT, Wylie, Ingersoll Rand / Doosan, Innovatech, Con X, Ammann, Mecalac, Makinex, Smith Surface Prep, Small Line, Wanco, Yanmar