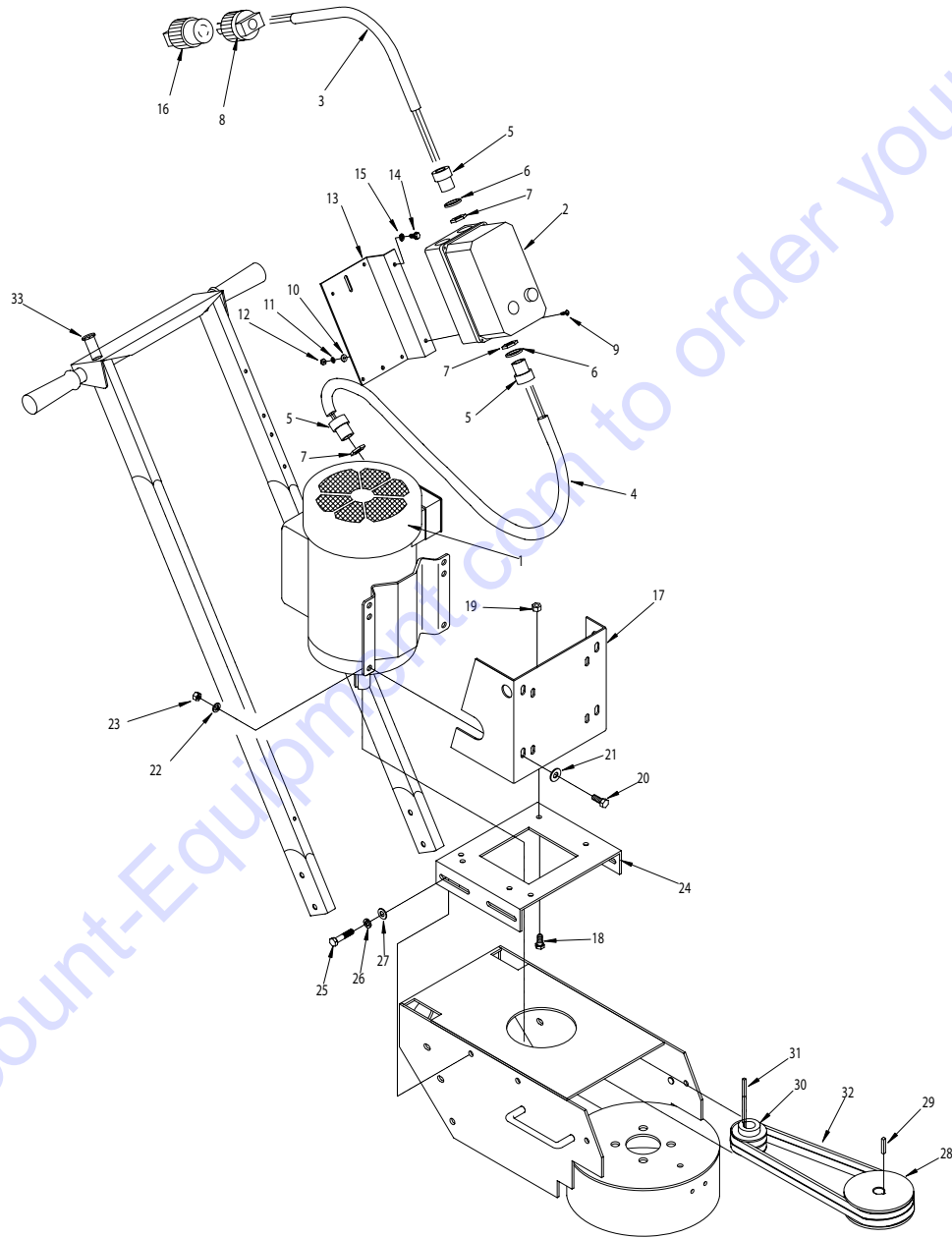


ILLUSTRATION # 5: ELECTRIC MOTOR GROUPING



PARTS LISTING - ILLUSTRATION # 5: ELECTRIC MOTOR GROUPING

ITEM#	PART#	DESCRIPTION	QTY.
1		MOTOR, BALDOR 3450 RPM	1
	81026	5.0 HP - 1 PHASE - 60 Hz - 230V 3450 RPM	
	81022	5.0 HP - 3 PHASE - 60Hz - 230V/460V 3450 RPM	
2		STARTER, LOVATO	1
	16410	1 PH - 60Hz - 230V (11-M1-BRF-P30-26-23060)	
	16405	3 PH - 60Hz - 230V (11-M1-BRF-P23-23-23060)	
	16406	3 PH - 60Hz - 460V (11-M1-BRF-P14-10-46060)	
3		WIRE HARNESS, STARTER / PLUG	1
	86026	10/3" x 24" LOA (1 PHASE UNITS)	
	86022	12/4" x 24" LOA (3 PHASE UNITS)	
4		WIRE HARNESS, STARTER / MOTOR	1
	86331	10/3" x 36" LOA (1 PHASE UNITS)	
	86332	12/4" x 36" LOA (3 PHASE UNITS)	
5	10605	CONNECTOR, STRAIN RELIEF 3/4 NPT x .650 - .750 RANGE	3
6	77081	WASHER, FLAT, SWITCH BOX OUTER	2
7	10740	CONDUIT LOCK NUT 3/4 NP	3
8	40037	PLUG, LOCKING 20A/250V (SEE NOTE)	1
9	10362	SCREW, MACHINE 8-32 x 3/4	4
10	12112	WASHER, RIVET #9 5/32 x 7/16 x 3/64	4
11	10461	WASHER, LOCK, INT. TOOTH #8	4
12	10462	NUT 8-32	4
13	86027	MOUNTING BRACKET, LOVATO STARTER	1
14	10846	SCREW, CAP STSHW 1/4-20 x 1/2	2
15	10038	WASHER, LOCK 1/4	2
16	40000	PLUG CONNECTOR, LOCKING 20A/250V (SEE NOTE)	1
17	86312	MOUNT, MOTOR	1
18	10907	SCREW, CAP 3/8-16 x 3/4	4
19	10810	NUT, LOCK 3/8-16	4
20	10021	SCREW, CAP 3/8-24 x 1	2
21	10025	WASHER, FLAT 3/8	4
22	10811	WASHER, LOCK 3/8	4
23	10014	NUT 3/8-24	4
24	86311	ENGINE/MOTOR MOUNT	1
25	10021	SCREW, CAP 3/8-24 x 1	4
26	10811	WASHER, LOCK 3/8	4
27	10025	WASHER, FLAT 3/8	4
28	86318	SHEAVE 5"OD x 2Gr.B x 7/8 BORE	1
29	50523	KEY 3/16" SQ. x 1-1/8	1
30	79023	SHEAVE 3" OD x 2 Gr.B x 1-1/8" BORE	1
31	10115	KEY 1/4" SQ. x 2	1
32	10035	BELT 5L - 330 (REFER TO SERIAL NO. PLATE)	2
33	10005	PLUG, HOLE 7/8" (CHROME)	1

NOTE: PLUG CONNECTOR (ITEMS # 8 & 16) ARE NOT SUPPLIED ON 3 PHASE UNITS.

PARTS FINDER

**Search Website
by Part Number**



**Search Manual
Library For Parts
Manual & Lookup Part
Numbers – Purchase
or Request Quote**

Search Manuals

Enter your information to help us find the right parts manual for your machine.

* Brand:

* Model:

* Serial:

* Part Number:

SEARCH

**Can't Find Part or
Manual? Request Help
by Manufacturer,
Model & Description**

Parts Order Form

Please fill in the following information to help us find the right part for your machine.

Manufacturer:	<input type="text"/>
Model:	<input type="text"/>
Description:	<input type="text"/>
Part Number:	<input type="text"/>
Quantity:	<input type="text"/>
Notes:	<input type="text"/>

Discount-Equipment.com is your online resource for quality parts & equipment.

Florida: **561-964-4949** Outside Florida TOLL FREE: **877-690-3101**

Need parts?

Click on this link: <http://www.discount-equipment.com/category/5443-parts/> and choose one of the options to help get the right parts and equipment you are looking for. Please have the machine model and serial number available in order to help us get you the correct parts. If you don't find the part on the website or on one of the online manuals, please fill out the request form and one of our experienced staff members will get back to you with a quote for the right part that your machine needs.

We sell worldwide for the brands: Genie, Terex, JLG, MultiQuip, Mikasa, Essick, Whiteman, Mayco, Toro Stone, Diamond Products, Generac Magnum, Airman, Haulotte, Barreto, Power Blanket, Nifty Lift, Atlas Copco, Chicago Pneumatic, Allmand, Miller Curber, Skyjack, Lull, Skytrak, Tsurumi, Husquvarna Target, Stow, Wacker, Sakai, Mi-T-M, Sullair, Basic, Dynapac, MBW, Weber, Bartell, Bennar Newman, Haulotte, Ditch Runner, Menegotti, Morrison, Contec, Buddy, Crown, Edco, Wyco, Bomag, Laymor, EZ Trench, Bil-Jax, F.S. Curtis, Gehl Pavers, Heli, Honda, ICS/PowerGrit, IHI, Partner, Imer, Clipper, MMD, Koshin, Rice, CH&E, General Equipment, Amida, Coleman, NAC, Gradall, Square Shooter, Kent, Stanley, Tamco, Toku, Hatz, Kohler, Robin, Wisconsin, Northrock, Oztec, Toker TK, Rol-Air, APT, Wylie, Ingersoll Rand / Doosan, Innovatech, Con X, Ammann, Mecalac, Makinex, Smith Surface Prep, Small Line, Wanco, Yanmar