

Revised Starting Serial # 051210058



PARTS LIST MANUAL

Model TG-10



10" Turbo Grinder



PARTS FINDER

**Search Website
by Part Number**



**Search Manual
Library For Parts
Manual & Lookup Part
Numbers – Purchase
or Request Quote**

Search Manuals

Enter your information to help us find the right parts manual for your machine.

* Brand:

* Model:

* Serial:

* Part Number:

SEARCH

**Can't Find Part or
Manual? Request Help
by Manufacturer,
Model & Description**

Parts Order Form

Please fill in the following information to help us find the right part for your machine.

| | |
|---------------|----------------------|
| Manufacturer: | <input type="text"/> |
| Model: | <input type="text"/> |
| Description: | <input type="text"/> |
| Part Number: | <input type="text"/> |
| Quantity: | <input type="text"/> |
| Notes: | <input type="text"/> |

Submit

Discount-Equipment.com is your online resource for quality parts & equipment.

Florida: **561-964-4949** Outside Florida TOLL FREE: **877-690-3101**

Need parts?

Click on this link: <http://www.discount-equipment.com/category/5443-parts/> and choose one of the options to help get the right parts and equipment you are looking for. Please have the machine model and serial number available in order to help us get you the correct parts. If you don't find the part on the website or on one of the online manuals, please fill out the request form and one of our experienced staff members will get back to you with a quote for the right part that your machine needs.

We sell worldwide for the brands: Genie, Terex, JLG, MultiQuip, Mikasa, Essick, Whiteman, Mayco, Toro Stone, Diamond Products, Generac Magnum, Airman, Haulotte, Barreto, Power Blanket, Nifty Lift, Atlas Copco, Chicago Pneumatic, Allmand, Miller Curber, Skyjack, Lull, Skytrak, Tsurumi, Husquvarna Target, Stow, Wacker, Sakai, Mi-T-M, Sullair, Basic, Dynapac, MBW, Weber, Bartell, Bennar Newman, Haulotte, Ditch Runner, Menegotti, Morrison, Contec, Buddy, Crown, Edco, Wyco, Bomag, Laymor, EZ Trench, Bil-Jax, F.S. Curtis, Gehl Pavers, Heli, Honda, ICS/PowerGrit, IHI, Partner, Imer, Clipper, MMD, Koshin, Rice, CH&E, General Equipment, Amida, Coleman, NAC, Gradall, Square Shooter, Kent, Stanley, Tamco, Toku, Hatz, Kohler, Robin, Wisconsin, Northrock, Oztec, Toker TK, Rol-Air, APT, Wylie, Ingersoll Rand / Doosan, Innovatech, Con X, Ammann, Mecalac, Makinex, Smith Surface Prep, Small Line, Wanco, Yanmar

READ AND UNDERSTAND THE OPERATORS INSTRUCTION MANUAL THOROUGHLY BEFORE ATTEMPTING TO OPERATE THIS EQUIPMENT. Death or serious injury could occur if this machine is used improperly.



SAFETY MESSAGES



The safety instructions are preceded by a graphic alert message of DANGER, WARNING, or CAUTION.



Indicates an imminent hazard which, if not avoided, will result in death or serious injury.



Indicates an imminent hazard which, if not avoided, can result in death or serious injury.



Indicates hazards which, if not avoided, could result in serious injury and or damage to the equipment.

GASOLINE

Powered Equipment



- Do not operate gasoline powered equipment without adequate ventilation. Carbon monoxide is an invisible, odorless gas that can kill.

ELECTRICAL

Powered Equipment



- ELECTRICAL HAZARD** - Be sure equipment is properly grounded. Failure to comply could kill or result in serious injury.



The engine exhaust from this product contains chemicals known to the State of California to cause cancer, birth defects or other reproductive harm.

GENERAL INSTRUCTIONS



- You must read and understand the operators instruction manual and all other manuals associated with this machine. For your safety and the safety of others around you, it is extremely important to fully understand how to operate this machine in the way it was intended. Different model machines or older/newer versions of the same model may have different parts and controls that you need to understand. If instructions are not readable or available DO NOT USE this machine and contact Discount-equipment for a replacement Manual.
- You must be able to physically handle the bulk weight and power of this machine. If not properly controlled this machine can cause death or serious injury.
- Do not operate this machine in an impaired mental state. You must be able to exercise good judgement and reactions to maintain a safe working environment.
- This is a "one person" machine which means only one operator can be operating the machine at any one time. For the safety of others, maintain a safe operating distance to other personnel. Your work area should be defined and appropriately marked so bystanders and coworkers do not stand or walk near this machine and end up seriously injured by flying debris or exposing them to harmful noise or dust.
- This equipment is for Commercial use. Although this is a "one person" machine your work team should understand how to shut this machine off and quickly get medical help if an accident strikes the operator.
- Keep all guards in place during operation. The guards are to provide protection from inadvertent contact with dangerous moving parts, pinch points, or hot surfaces.
- Wear appropriate Personal Protective Equipment (PPE) including safety glasses, safety boots, work gloves, respiratory protection,

hearing protection, and head protection. Do not wear loose clothing that can get tangled in moving parts. Failure to do so could result in dismemberment or death. **Wear an approved respirator when removing hazardous materials or when grinding/cutting dry materials. Some dust particles such as concrete dust can contain silicate particles which can cause silicosis (a very serious lung disease). Contact NIOSH or OSHA for further details. When wet grinding/cutting, avoid contact with the concrete/asphalt slurry which can cause serious skin irritations.**

- You must maintain this machine per the maintenance schedule in the operator manual. Remember before adjusting, servicing, or fueling this machine, disconnect the source of power to the machine by disconnecting the spark plug (Gas models), or by unplugging the electrical power cord (electric models) or air hose (Pneumatic models) AT THE MACHINE so you can assure yourself it remains unplugged while you are working on it. Do not modify this machine. Use only genuine EDCO parts and accessories. Repairs and service should be performed by approved EDCO dealers or authorized technicians.
- You should look carefully around the area before you begin work so you can identify potential hazards such as deck inserts, pipes, columns, openings, electrical cords or outlets, or any other objects protruding from the slab surface.
- This machine has no brain so you must use your own. There is no substitute for safety. The safety decals on the machine are to serve as a reminder for information you must already know before you begin using this machine. Take a moment to reread the safety decals each time you use the machine. If your machine is missing any decals, contact Discount-equipment for a replacement

PARTS LIST MANUAL

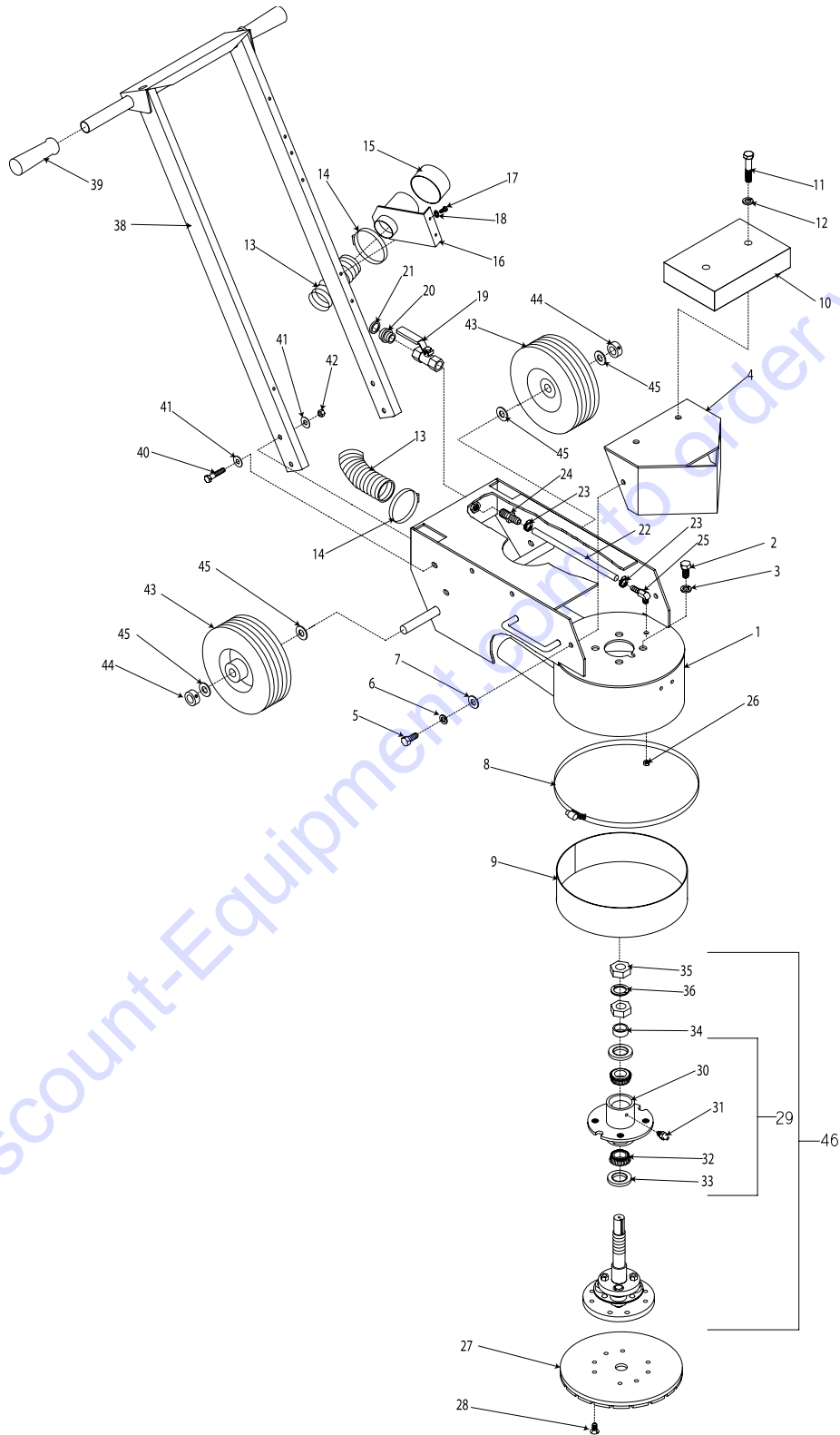
EDCO MODEL TG-10

| <u>Section</u> | <u>Page Number</u> |
|---|--------------------|
| Safety Messages and General Instructions | 2 |
| How To Order Replacement Parts | 3 |
| Illustration 1: Main Assembly Grouping | 4 |
| Parts Listing - Illustration 1 : Main Assembly Grouping | 5 |
| Illustration 2: Rigid Head Assembly | 6 |
| Parts Listing - Illustration 2: Rigid Head Assembly | 6 |
| Illustration 3: Flex Head Assembly | 7 |
| Parts Listing - Illustration 3 : Flex Head Assembly | 7 |
| Illustration 4: Engine Grouping | 8 |
| Parts Listing - Illustration 4 : Engine Grouping | 9 |
| Illustration 5: Propane Grouping | 10 |
| Parts Listing - Illustration 5 : Propane Grouping | 11 |
| Illustration 6: Motor Grouping | 12 |
| Parts Listing - Illustration 6 : Motor Grouping | 13 |
| Illustration 7: Optional Ball Caster Depth Stop Kit & Weight | 14 |
| Parts Listing - Illustration 7 : Optional Ball Caster Depth Stop Kit & Weight ... | 15 |
| Limited Equipment Warranty | back cover |

10" TURBO GRINDERS

| *PART # | MODEL | POWER OPTION |
|---|---------------|-------------------------------|
| 56600 | TG10-11H | 11HP HONDA GASOLINE |
| 56700 | TG10-11P | 11HP HONDA PROPANE |
| 56800-230 | TG10-5B/230/3 | 5HP BALDOR, 230 VOLT, 3 PHASE |
| 56800-460 | TG10-5B/460/3 | 5HP BALDOR, 460 VOLT, 3 PHASE |
| 56900 | TG10-5B/230/1 | 5HP BALDOR, 230 VOLT, 1 PHASE |
| * ADD -F SUFFIX TO PART # FOR TURBO GRINDER w/ FLEXIBLE STYLE HEAD | | |

ILLUSTRATION 1: MAIN ASSEMBLY GROUPING



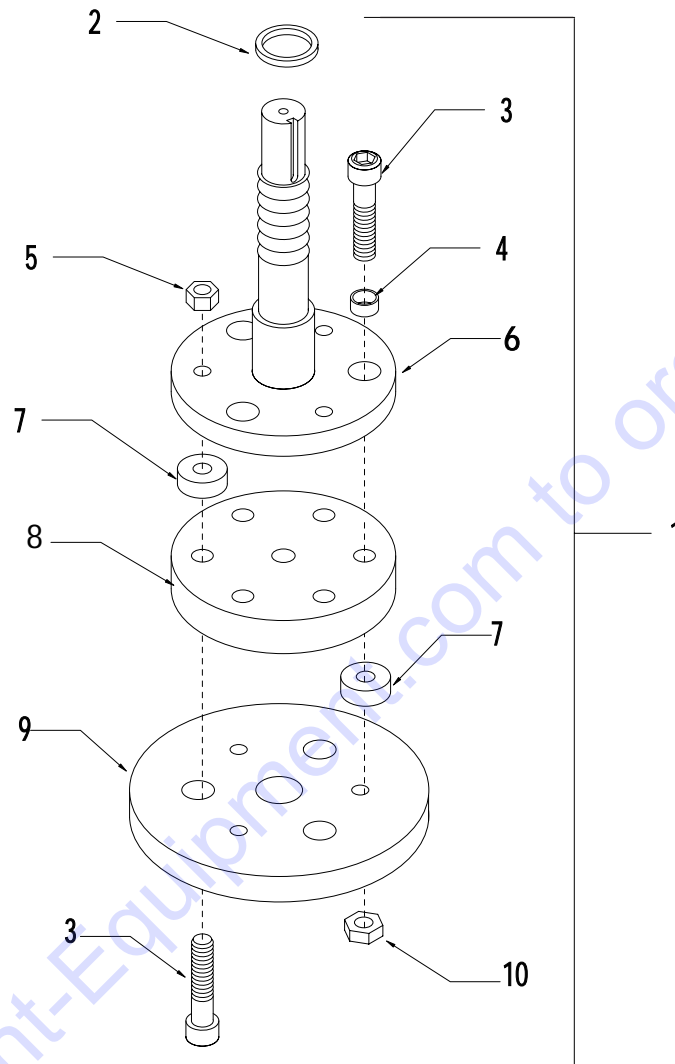
Go to Discount-Equipment.com to order your parts

PARTS LISTING - ILLUSTRATION 1: MAIN ASSEMBLY GROUPING

| ITEM# | PART# | DESCRIPTION | QTY. | ITEM# | PART# | DESCRIPTION | QTY. |
|-------|-------|---|------|-------|---------|---|------|
| 1 | 86336 | MAIN FRAME | 1 | 24 | 10657 | BARB. PUSH-ON 3/8 HOSE x 1/4 MPT | 1 |
| 2 | 10321 | SCREW, CAP 1/2-20 x 1-1/4 | 4 | 25 | 11562 | BARB, ELBOW 90°, 3/8 HOSE x 1/8 MPT | 1 |
| 3 | 10045 | WASHER, LOCK 1/2 | 4 | 26 | 10864 | NUT 1/8-27 PIPE THREAD | 1 |
| 4 | 86303 | HOOD | 1 | 27 | 19166 | 10" DIAMOND DISC -MULTI-PURPOSE (REFER TO ACCESSORY PRICE LIST FOR OTHER STYLE DISCS) | 1 |
| 5 | 10907 | SCREW, CAP 3/8-16 x 3/4 | 2 | 28 | 86108 | SCREW, FLAT HEAD SKT. 3/8-24 x 3/4 | 4 |
| 6 | 10811 | WASHER, LOCK 3/8 | 2 | 29 | 86320A | HUB ASSEMBLY w/ BRGS. & SEALS (ITEMS 30-33) | 1 |
| 7 | 10025 | WASHER, FLAT 3/8 | 2 | 30 | 86320HG | HUB ONLY w/ RACES & GREASE FITTING HOLE | 1 |
| 8 | 86338 | CLAMP, HOSE , SAE #188, 12-1/4 | 1 | 86339 | | BEARING CUP/RACE ONLY (2 REQ'D.) | 1 |
| 9 | 86337 | RUBBER, SKIRT 2" H x 35 1/8" L | 1 | 31 | 10808 | FITTING, GREASE 1/4-28 STRAIGHT | 1 |
| 10 | 86345 | WEIGHT BLOCK, 30 LB. (ELEC. ONLY) | 1 | 32 | 86321 | BEARING, TAPERED ROLLER 1" ID CONE | 2 |
| 11 | 10323 | SCREW, CAP 1/2-13 x 2-1/2 (ELEC. ONLY) | 2 | 33 | 86322 | SEAL, BEARING HUB 1-1/4 | 2 |
| 12 | 10045 | WASHER, LOCK 1/2 (ELEC. ONLY) | 2 | 34 | 86319 | SPACER, HUB BEARING | 2 |
| 13 | 86328 | HOSE, FLEXIBLE, 2" ID x 32" | 1 | 35 | 50019 | NUT, JAM 1-14 | 2 |
| 14 | 10745 | CLAMP, HOSE, SAE #32, ADJ. TO 2-1/4" | 2 | 36 | 86323 | WASHER, NORD-LOCK 1" (PAIR) | 1 |
| 15 | 64030 | PLUG, CAP 3" | 1 | 37 | | HEAD ASSEMBLY (SEE ILLUSTRATION #2 & 3) | 1 |
| 16 | 86347 | BRACKET, MULTI-VAC PORT | 1 | 38 | 86304 | HANDLE BAR | 1 |
| 17 | 10846 | SCREW, CAP STSHW 1/4-20 x 1/2 | 2 | 39 | 10608 | GRIP, HAND 1" MODEL AT | 2 |
| 18 | 10831 | WASHER, LOCK, INT. TOOTH #10 | 2 | 40 | 10029 | SCREW, CAP 3/8-24 x 1-3/4 | 4 |
| 19 | 10711 | VALVE, BALL 1/2 FPT | 1 | 41 | 10025 | WASHER, FLAT 3/8 | 8 |
| 20 | 80021 | CONN., SWIVEL FEM. 3/4 HOSE x 1/2 MPT (INCL. #21) | 1 | 42 | 10004 | NUT, LOCK 3/8-24 | 4 |
| 21 | 10070 | WASHER, HOSE (INCL. w/ #20) | 1 | 43 | 79013 | WHEEL 8 x 2-1/2 x 3/4" BRG. | 2 |
| 22 | 86329 | HOSE 3/8 ID x 19-1/4 | 1 | 44 | 10428 | COLLAR, LOCKING 3/4" ID | 2 |
| 23 | 50069 | CLAMP, HOSE, SAE #6, ADJ. TO 13/16 | 2 | 45 | 10009 | WASHER, FLAT 3/4 | 4 |
| | | | | 46 | | HEAD ASSY. w/ BRG. (ITEMS 29-37) | 1 |
| | | | | 86333 | | RIGID STYLE | |
| | | | | 86326 | | FLEXIBLE STYLE | |

ILLUSTRATION 2: RIGID HEAD ASSEMBLY

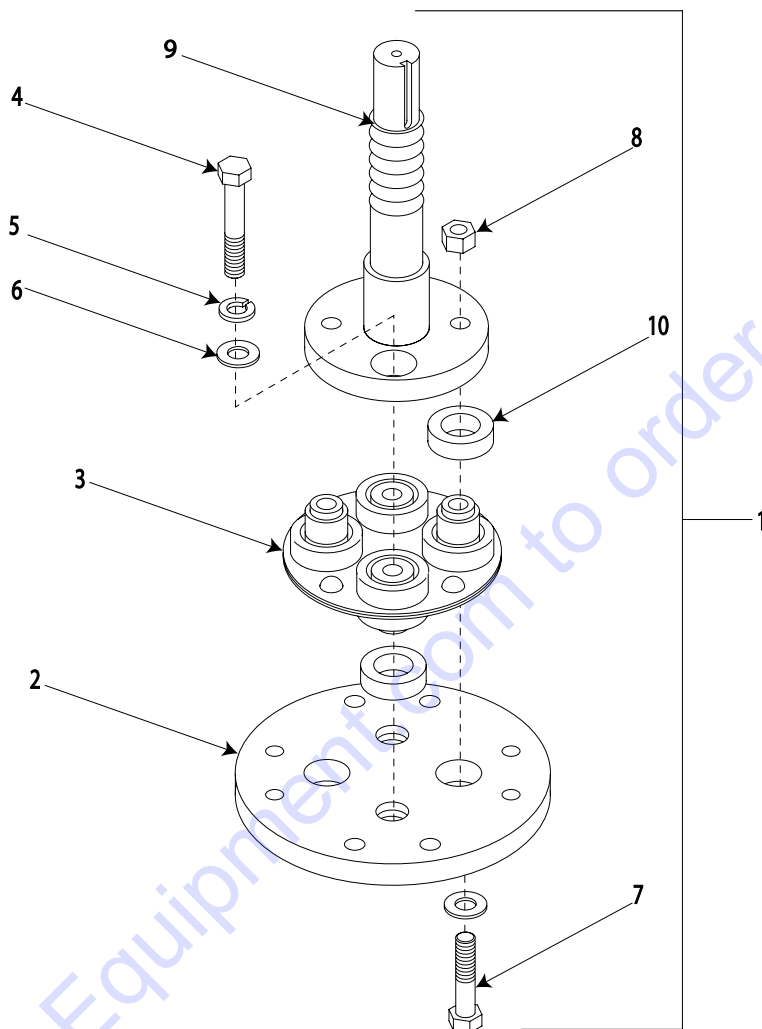
STANDARD



| ITEM # | PART # | DESCRIPTION | QTY. |
|--------|---------|---|------|
| 1 | 86333LB | HEAD ASSY. LESS BRG., RIGID (INCLUDES ITEMS # 2-10) | 1 |
| 2 | 68017 | SPACER STEEL, 1-1/4" OD x 1" ID x 5/32" THK. | 1 |
| 3 | 86111 | SCREW, SKT. HD. CAP 7/16-20 x 2 (GRD. 8) | 6 |
| 4 | 86112 | SPACER, STEEL 5/8" OD x 7/16" ID x 1/4" THK. | 3 |
| 5 | 10481 | NUT, 7/16-20 (NOTE: USE RED LOCTITE) | 3 |
| 6 | 86334 | FLANGE w/ SHAFT, RIGID HEAD | 1 |
| 7 | 40329 | BUSHING, RUBBER 1" OD x 3/8" ID x 3/8" THK. | 6 |
| 8 | 86132S | SPACER, DIAMOND HEAD, STEEL | 1 |
| 9 | 86133 | DIAMOND HEAD MOUNTING DISC, RIGID HEAD | 1 |
| 10 | 11641 | NUT, JAM 7/16-20 | 3 |

ILLUSTRATION 3: FLEX HEAD ASSEMBLY

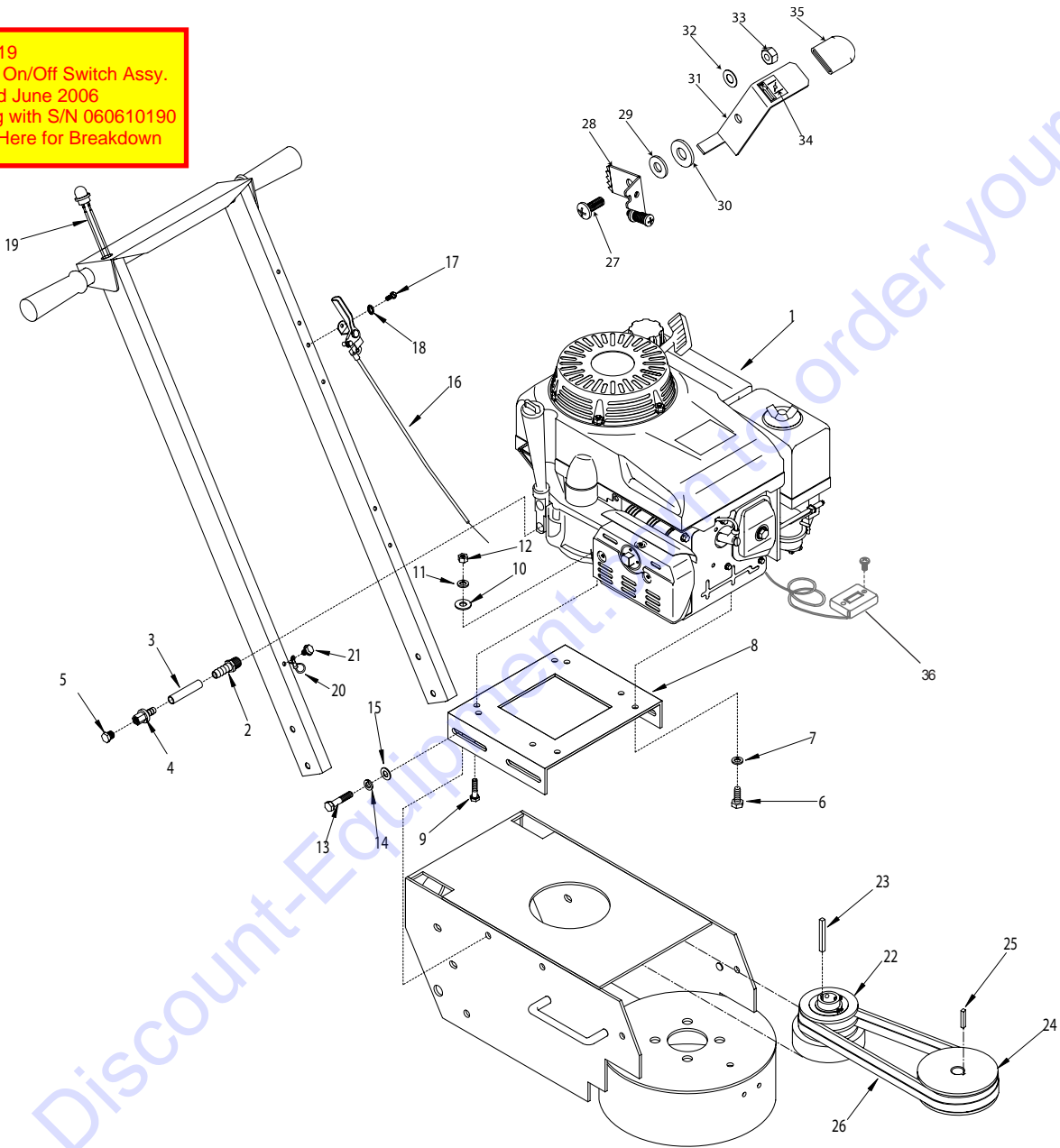
OPTIONAL



| ITEM # | PART # | DESCRIPTION | QTY. |
|--------|---------|--|------|
| 1 | 86326LB | HEAD ASSY. LESS BRG., FLEX (INCLUDES ITEMS # 2-10) | |
| 2 | 86309 | MOUNTING DISC, FLEX HEAD | 1 |
| 3 | 86017 | COUPLING, MORFLEX 402 | 1 |
| 4 | 10030 | SCREW, CAP 3/8-24 x 2 (USE RED LOCTITE) | 2 |
| 5 | 10811 | WASHER, LOCK 3/8 | 2 |
| 6 | 10025 | WASHER, FLAT 3/8 | 4 |
| 7 | 10336 | SCREW, CAP 3/8-24 x 2-1/4 | 2 |
| 8 | 10004 | NUT, LOCK 3/8-24 | 2 |
| 9 | 86308 | FLANGE w/ SHAFT, FLEX HEAD | 1 |
| 10 | 86343 | BUSHING, RUBBER 1-1/4 x 3/4 x 3/8 | 4 |

ILLUSTRATION 4 : ENGINE GROUPING

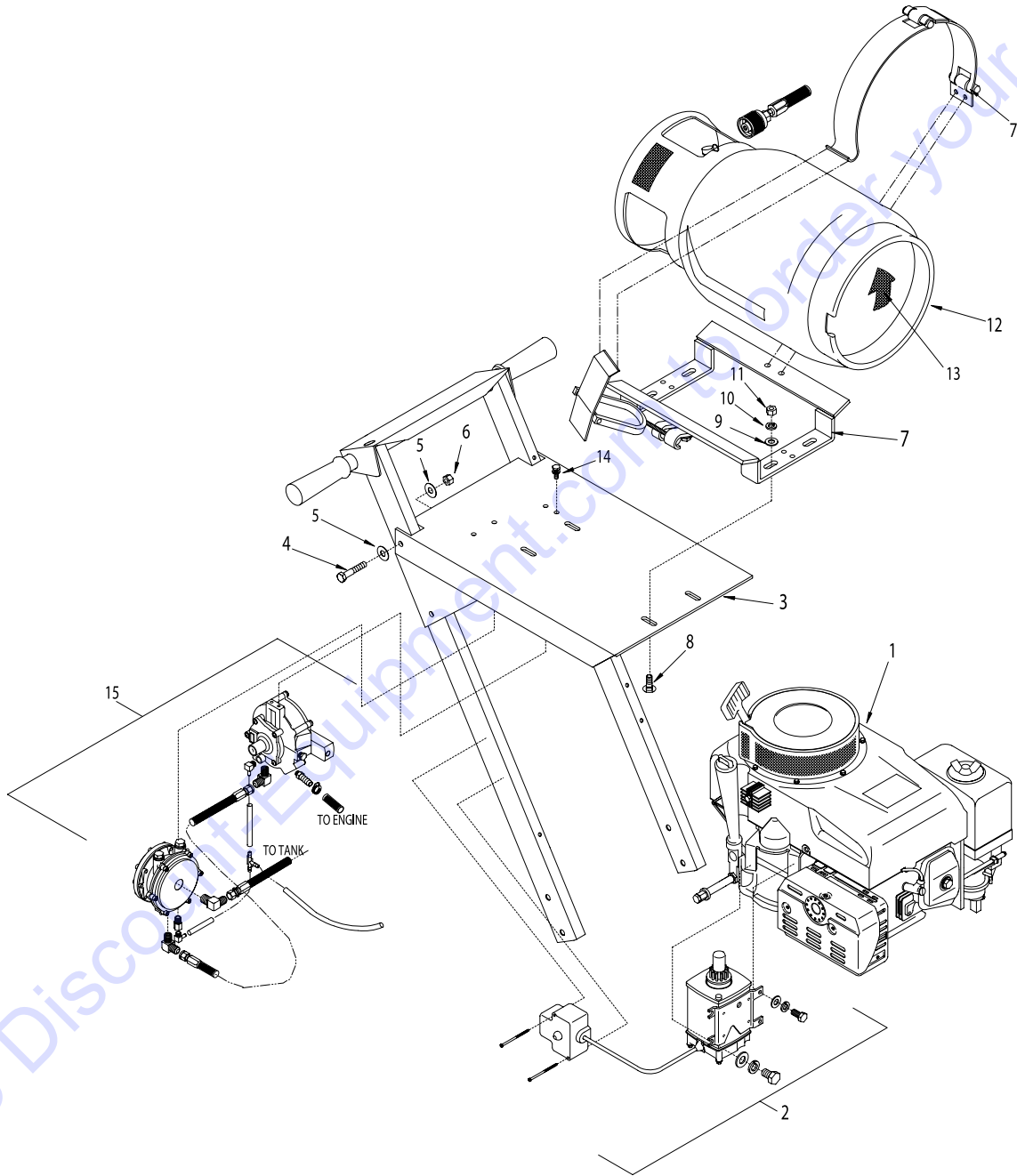
Item # 19
Engine On/Off Switch Assy.
Revised June 2006
Starting with S/N 060610190
Select Here for Breakdown



PARTS LISTING - ILLUSTRATION 4 : ENGINE GROUPING

| ITEM # | PART # | DESCRIPTION | QTY. |
|--------|--------|--|------|
| 1 | 76004 | ENGINE, HONDA 11HP GXV340 K2-DX3 | 1 |
| 2 | 11543 | BARB, PUSH-ON 3/8 HOSE x 20mm x 1.50 | 1 |
| 3 | 56116 | HOSE, PUSH-ON 3/8 ID x 3"L | 1 |
| 4 | 11544 | BARB, PUSH-ON 3/8 HOSE x 1/4 FPT | 1 |
| 5 | 10776 | PIPE PLUG 1/4 NPT (BRASS) | 1 |
| 6 | 10048 | SCREW, CAP 5/16-24 x 3/4 | 2 |
| 7 | 10801 | WASHER, LOCK 5/16 | 2 |
| 8 | 86311 | MOUNT, ENGINE/MOTOR | 1 |
| 9 | 10342 | SCREW,CAP 5/16-18 x 1-1/2 | 2 |
| 10 | 10213 | WASHER, FLAT 5/16 | 2 |
| 11 | 10801 | WASHER, LOCK 5/16 | 2 |
| 12 | 10054 | NUT 5/16-18 | 2 |
| 13 | 10021 | SCREW, CAP 3/8-24 x 1 | 4 |
| 14 | 10811 | WASHER, LOCK 3/8 | 4 |
| 15 | 10025 | WASHER, FLAT 3/8 | 4 |
| 16 | 40388 | THROTTLE CABLE, LEVER-TYPE, 24" (TRIM 17") | 1 |
| 17 | 10877 | SCREW, CAP STSHW 10-24 x 1/2 | 2 |
| 18 | 10831 | WASHER, LOCK, INT. TOOTH # 10 | 1 |
| 19 | 50010 | SWITCH KIT, STOP BUTTON, 7/8" HOLE | 1 |
| 20 | 50084 | TERM. RING #10, 16-14 GA. INSULATED | 1 |
| 21 | 10877 | SCREW, CAP STSHW 10-24 x 1/2 | 1 |
| 22 | 76024 | CLUTCH, CENTRIFUGAL 3.5 x 2GR. x 1 | 1 |
| 23 | 10071 | KEY 1/4 SQ. x 2-1/2 | 1 |
| 24 | 86318 | SHEAVE 5"OD x 2GR.B x 7/8 BORE | 1 |
| 25 | 50523 | KEY 3/16 SQ. x 1-1/8 | 1 |
| 26 | 10035 | BELT 5L-330 (REFER TO SERIAL NO. PLATE) | 2 |
| 27 | 15185 | SCREW, MACHINE M6 x 16mm PHILLIP HD | 1 |
| 28 | ----- | BREAKAWAY VIEW of ENGINE THROTTLE BRACKET (SHOWN FOR MOUNTING DETAIL) | |
| 29 | 10602 | WASHER, FLAT 1/4 SAE | 1 |
| 30 | 15187 | WASHER, FIBER .75 x .25 x .093 | 1 |
| 31 | 15183 | LEVER, CHOKE CONTROL | 1 |
| 32 | 15186 | WASHER, BELLEVILLE .500 x .255 x .018 | 1 |
| 33 | 28026 | NUT, HEX NYLON LOCK M6 x 1mm | 1 |
| 34 | 91301 | DECAL, CHOKE 5/8 x 5/8 | 1 |
| 35 | 15184 | CAP, FLAT RED .062 x .75 x 1 | 1 |
| 36 | 15138 | HOUR METER, INDUCTIVE (OPTIONAL) | 1 |

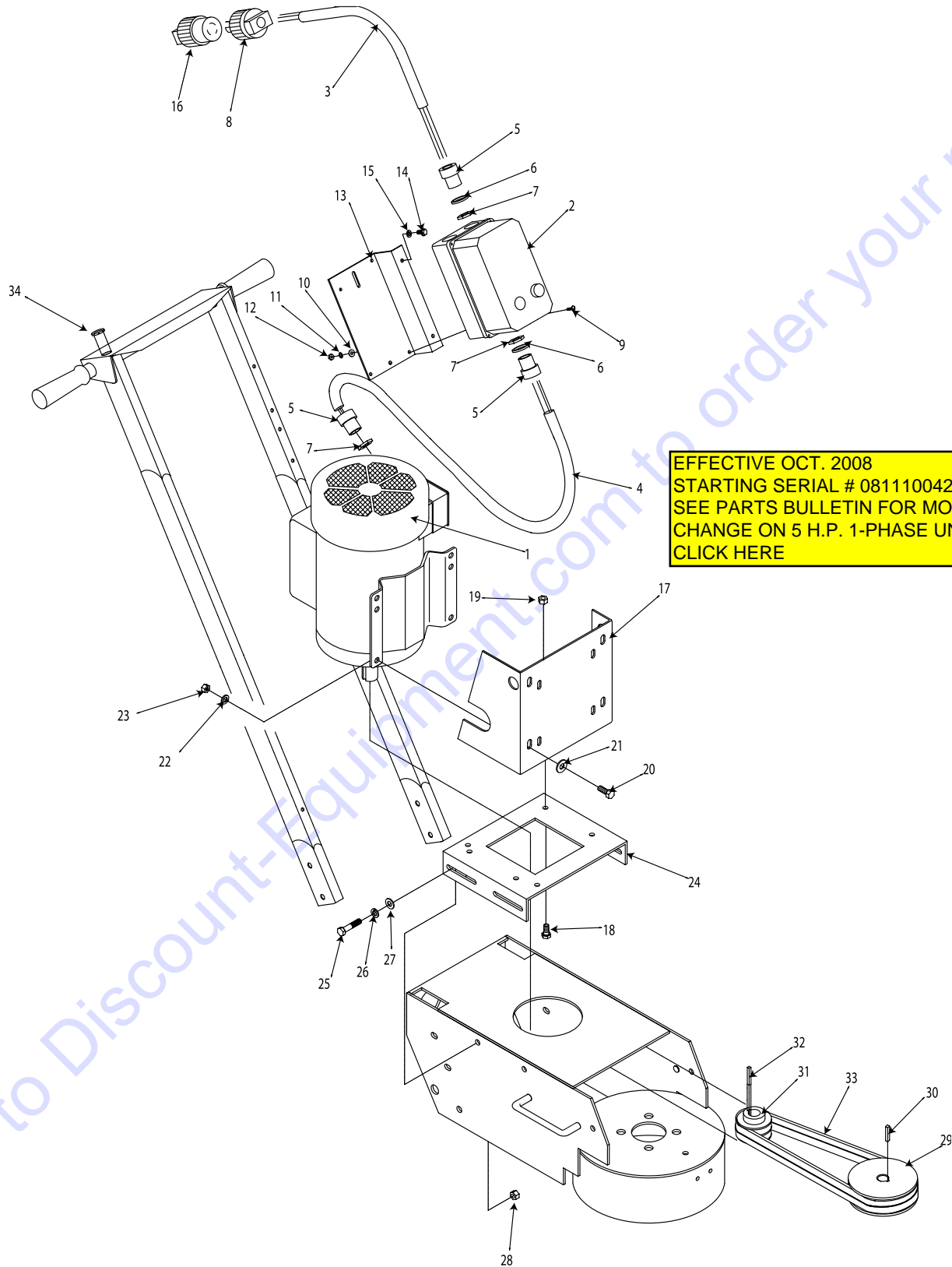
ILLUSTRATION 5 : PROPANE GROUPING



PARTS LISTING - ILLUSTRATION 5 : PROPANE GROUPING

| ITEM # | PART # | DESCRIPTION | QTY. |
|--------|--------|---|------|
| 1 | 15012 | ENGINE, HONDA 11HP GXV-340A2-DP23 PROPANE | 1 |
| 2 | 15126 | STARTER KIT, ELECTRIC 120 VOLT AC (INCLUDES EXTENSION CORD - NOT SHOWN) | 1 |
| 3 | 86327 | MOUNT, PROPANE TANK, TG-10 | 1 |
| 4 | 10029 | SCREW, CAP 3/8-24 x 1-3/4 | 4 |
| 5 | 10025 | WASHER, FLAT 3/8 | 8 |
| 6 | 10004 | NUT, LOCK 3/8-24 | 4 |
| 7 | 77061 | PROPANE TANK MOUNT COMPLETE | 1 |
| 8 | 10802 | BOLT, CARRIAGE 3/8-16 x 1 | 4 |
| 9 | 10025 | WASHER, FLAT 3/8 | 4 |
| 10 | 10811 | WASHER, LOCK 3/8 | 4 |
| 11 | 10404 | NUT 3/8-16 | 4 |
| 12 | 15130 | PROPANE TANK 20LB HORZ. w/ ACME VALVE | 1 |
| 13 | 91122 | DECAL, ARROW, RED, 3 x 3 | 1 |
| 14 | | SCREW w/ WASHER, CAP 1/4-20 x 5/8 (C/W VAPOR KIT) | 4 |
| 15 | 15102 | VAPOR KIT for HONDA GXV340A2-DP23 | 1 |

ILLUSTRATION 6 : ELECTRIC MOTOR GROUPING



EFFECTIVE OCT. 2008
STARTING SERIAL # 081110042
SEE PARTS BULLETIN FOR MOTOR
CHANGE ON 5 H.P. 1-PHASE UNITS.
[CLICK HERE](#)

Go to Discount-Equipment.com to order your parts

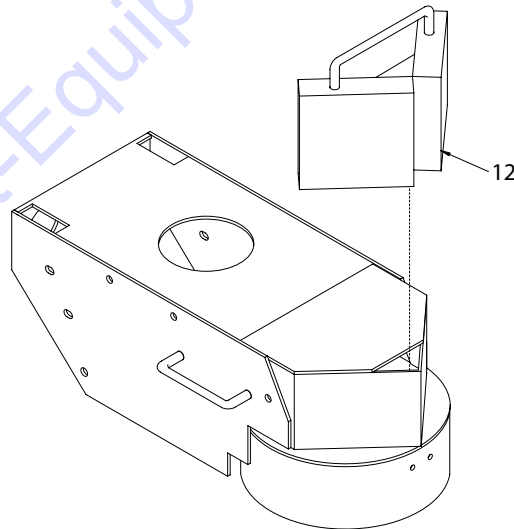
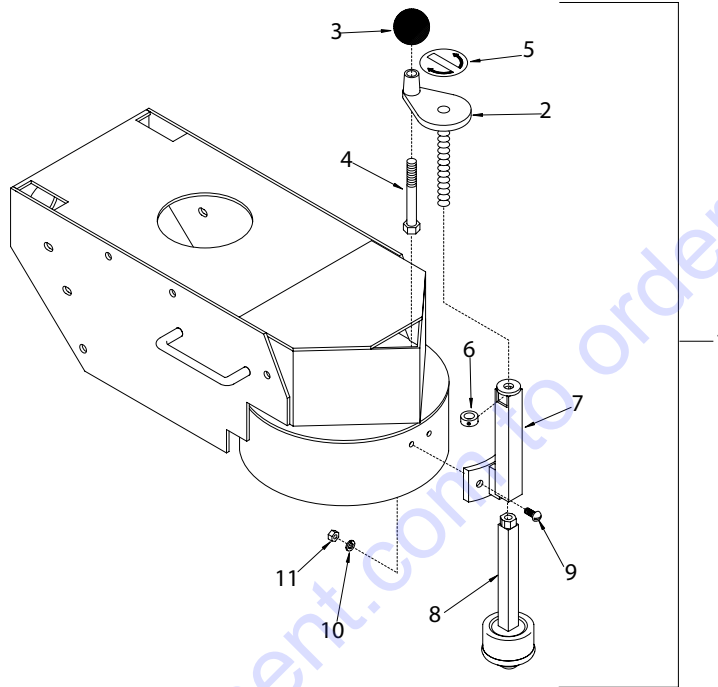


| PARTS LISTING - ILLUSTRATION 6 : ELECTRIC MOTOR GROUPING | | | |
|---|---------------|--|-------------|
| ITEM # | PART # | DESCRIPTION | QTY. |
| 1 | | MOTOR, BALDOR | 1 |
| | 81026 | 5.0 HP - 1 PHASE - 60 Hz - 230V 3450 RPM | |
| | 81022 | 5.0 HP - 3 PHASE - 60Hz - 230V/460V 3450 RPM | |
| 2 | | STARTER, LOVATO | 1 |
| | 16410 | 1 PH - 60Hz - 230V (11-M1-BRF-P30-26-23060) | |
| | 16405 | 3 PH - 60Hz - 230V (11-M1-BRF-P23-23-23060) | |
| | 16406 | 3 PH - 60Hz - 460V (11-M1-BRF-P14-10-46060) | |
| 3 | | WIRE HARNESS, STARTER / PLUG | 1 |
| | 86026 | 10/3" x 24" LOA (1 PHASE UNITS) | |
| | 86022 | 12/4" x 24" LOA (3 PHASE UNITS) | |
| 4 | | WIRE HARNESS, STARTER / MOTOR | 1 |
| | 86331 | 10/3" x 36" LOA (1 PHASE UNITS) | |
| | 86332 | 12/4" x 36" LOA (3 PHASE UNITS) | |
| 5 | 10605 | CONNECTOR, STRAIN RELIEF 3/4 NPT x .650 - .750 | 3 |
| 6 | 77081 | WASHER, FLAT 1-9/16 x 1-1/16 x .06 | 2 |
| 7 | 10740 | CONDUIT LOCK NUT 3/4 NP | 3 |
| 8 | 40037 | PLUG, LOCKING 20A/250V (SEE NOTE) | 1 |
| 9 | 10362 | SCREW, MACHINE 8-32 x 3/4 | 4 |
| 10 | 12112 | WASHER, RIVET #9 5/32 x 7/16 x 3/64 | 4 |
| 11 | 10461 | WASHER, LOCK, INT. TOOTH #8 | 4 |
| 12 | 10462 | NUT 8-32 | 4 |
| 13 | 86027 | MOUNTING BRACKET, LOVATO STARTER | 1 |
| 14 | 10846 | SCREW, CAP STSHW 1/4-20 x 1/2 | 2 |
| 15 | 10038 | WASHER, LOCK 1/4 | 2 |
| 16 | 40000 | PLUG CONNECTOR, LOCKING 20A/250V (SEE NOTE) | 1 |
| 17 | 86312 | MOUNT, MOTOR | 1 |
| 18 | 10907 | SCREW, CAP 3/8-16 x 3/4 | 4 |
| 19 | 10810 | NUT, LOCK 3/8-16 | 4 |
| 20 | 10021 | SCREW, CAP 3/8-24 x 1 | 4 |
| 21 | 10025 | WASHER, FLAT 3/8 | 4 |
| 22 | 10811 | WASHER, LOCK 3/8 | 4 |
| 23 | 10014 | NUT 3/8-24 | 4 |
| 24 | 86311 | ENGINE/MOTOR MOUNT | 1 |
| 25 | 10021 | SCREW, CAP 3/8-24 x 1 | 4 |
| 26 | 10811 | WASHER, LOCK 3/8 | 4 |
| 27 | 10025 | WASHER, FLAT 3/8 | 4 |
| 28 | 10014 | NUT 3/8-24 | 4 |
| 29 | 86344 | SHEAVE 4.55" OD x 2Gr.B x 7/8 BORE | 1 |
| 30 | 50523 | KEY 3/16" SQ. x 1-1/8 | 1 |
| 31 | 79023 | SHEAVE 3" OD x 2 Gr.B x 1-1/8" BORE | 1 |
| 32 | 10115 | KEY 1/4" SQ. x 2 | 1 |
| 33 | 10035 | BELT 5L - 330 (REFER TO SERIAL NO. PLATE) | 2 |
| 34 | 10005 | PLUG, HOLE 7/8" (CHROME) | 1 |

NOTE: PLUG & CONNECTOR (ITEMS # 8 & 16) ARE NOT SUPPLIED ON 3 PHASE UNITS.



ILLUSTRATION 7: OPTIONAL BALL CASTER DEPTH STOP KIT & WEIGHT

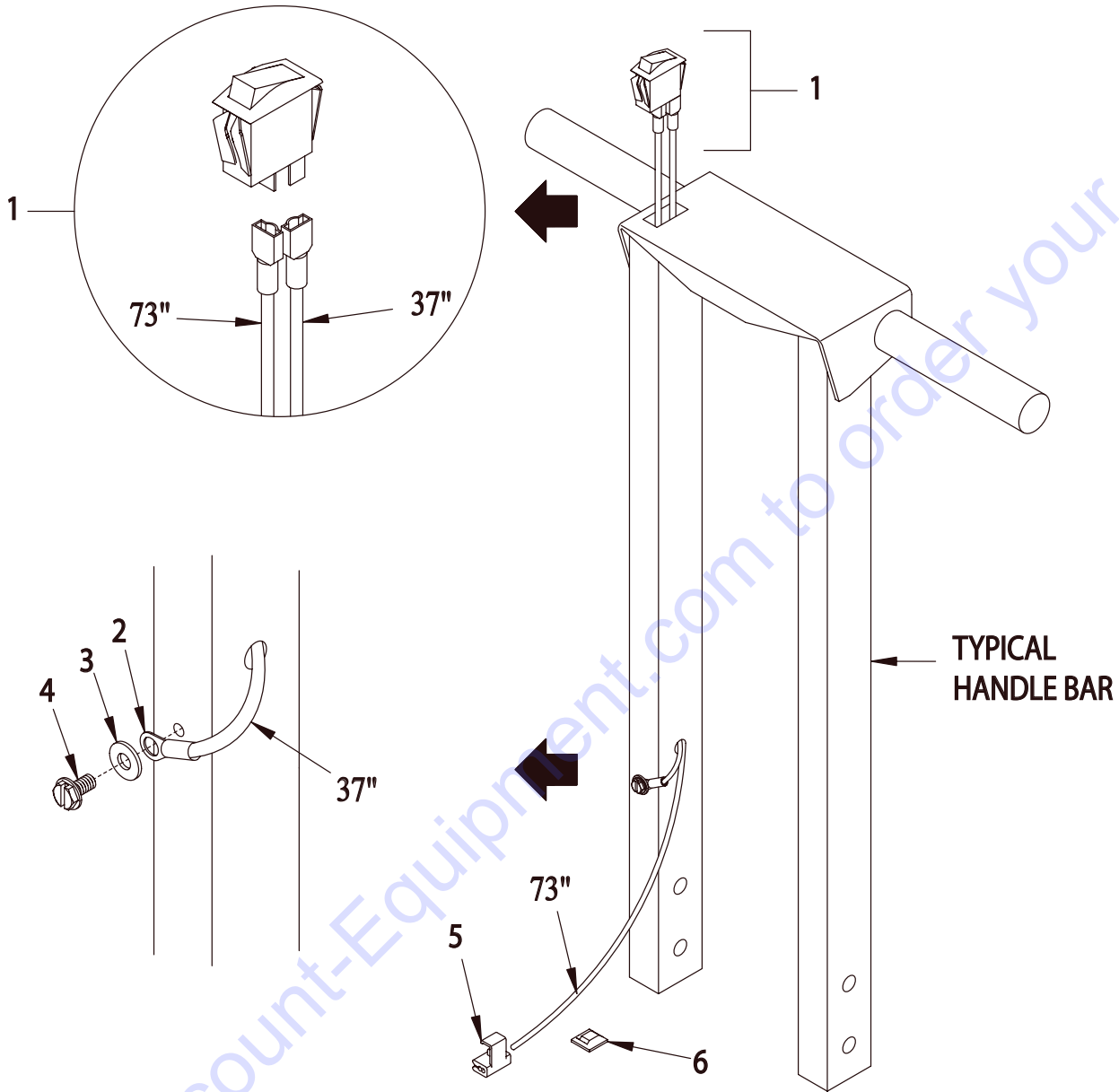


PARTS LISTING - ILLUSTRATION 7: OPTIONAL BALL CASTER DEPTH STOP KIT & WEIGHT

| ITEM# | PART# | DESCRIPTION | QTY. |
|-------|-------|--|------|
| 1 | 86330 | BALL CASTER DEPTH STOP KIT (INCLUDES ITEMS # 2-11) | |
| 2 | 86313 | HANDWHEEL, SMALL w/ ROD | 1 |
| 3 | 10104 | KNOB, BALL 1-7/8 DIA. w/ 1/2-13 THD., BLK. | 1 |
| 4 | 81001 | SCREW, CAP 1/2-13 x 4 | 1 |
| 5 | 80007 | DECAL, DEPTH STOP, DN/UP (SMALL) | 1 |
| 6 | 86316 | COLLAR, LOCKING 1/2" | 1 |
| 7 | 86314 | SUPPORT, DEPTH STOP | 1 |
| 8 | 86315 | BALL - CASTER WELDMENT | 1 |
| 9 | 10818 | BOLT, CARRIAGE 5/16-18 x 3/4 | 2 |
| 10 | 10801 | WASHER, LOCK 5/16 | 2 |
| 11 | 10054 | NUT 5/16-18 | 2 |
| 12 | 86340 | WEIGHT, 30 LB. | 1 |



**NEW STYLE
ENGINE ON/OFF SWITCH ASSEMBLY**



| ITEM# | PART# | DESCRIPTION | QTY. |
|-------|--------|---|-----------|
| 1 | 15201A | SWITCH SUBASSY., ROCKER ON-OFF (AVAILABLE ONLY AS COMPLETE ASSY.) | 1 |
| 2 | 50084 | TERM., RING #10 16-14GA. INSULATED (CONNECT TO ITEM 4) | 1 |
| 3 | 10831 | WASHER, LOCK, INT. TOOTH #10 | 1 |
| 4 | 10877 | SCREW, CAP STSHW 10-24 X 1/2 | 1 |
| 5 | 10970 | CONN., WIRE QUICK-SPLICE 18-14 GA. (SPlice ITEM 5 WITH ENGINE STOP WIRE) | 1 |
| 6 | 36042 | CLIP, ADHESIVE BACK CORD 5/8x5/8 | AS REQ'D. |





A Division of Equipment Development Company, Inc.

PARTS BULLETIN

MOTOR TYPE CHANGE ON 5 H.P. 1-PHASE ELECTRIC EQUIPMENT EFFECTIVE OCT. 2008, STARTING W/ S/N 081010202

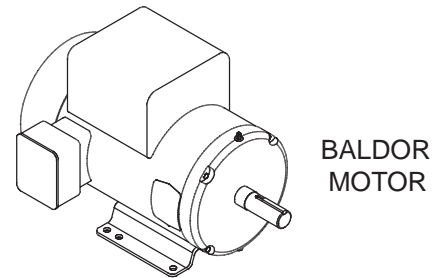
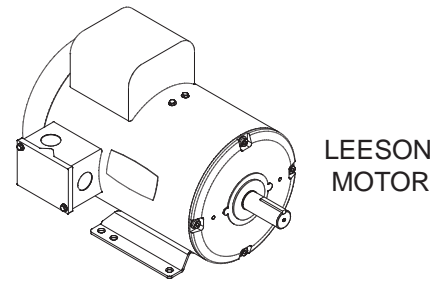
Leeson Motor (Cat. No. 131549) replaces Baldor (Cat. No. L3608T) on the following Equipment:

- CPM8 Scarifier/Planer
- TG10 Turbo Grinder
- 4EC Concrete Floor Grinder
- DS18 Walk Behind Saw
- SB14 Walk Behind Saw
- C10 Crack Saw
- MS20 Masonry Saw

The Model Suffix for this Power Option will be 5L/230/1 (5HP Leeson/230 Volt/Single Phase).

Example: CPM8-5L/230/1

| SPECIFICATION CHART | | |
|---------------------|---------------------------|---------------------------|
| | LEESON Cat. No. 131549 | BALDOR Cat. No. L3608T |
| Part Number | 16069 | 81026 |
| Horse Power | 5 | 5 |
| Phase | 1 | 1 |
| Hertz | 60 | 60 |
| Volts | 230 | 230 |
| Full Load Amps | 19.8 | 19.5 |
| RPM | 3500 | 3450 |
| Frame | 184T | 184T |
| Shaft | 1-1/8" | 1-1/8" |
| Weight | 93 Lbs. | 86 Lbs. |

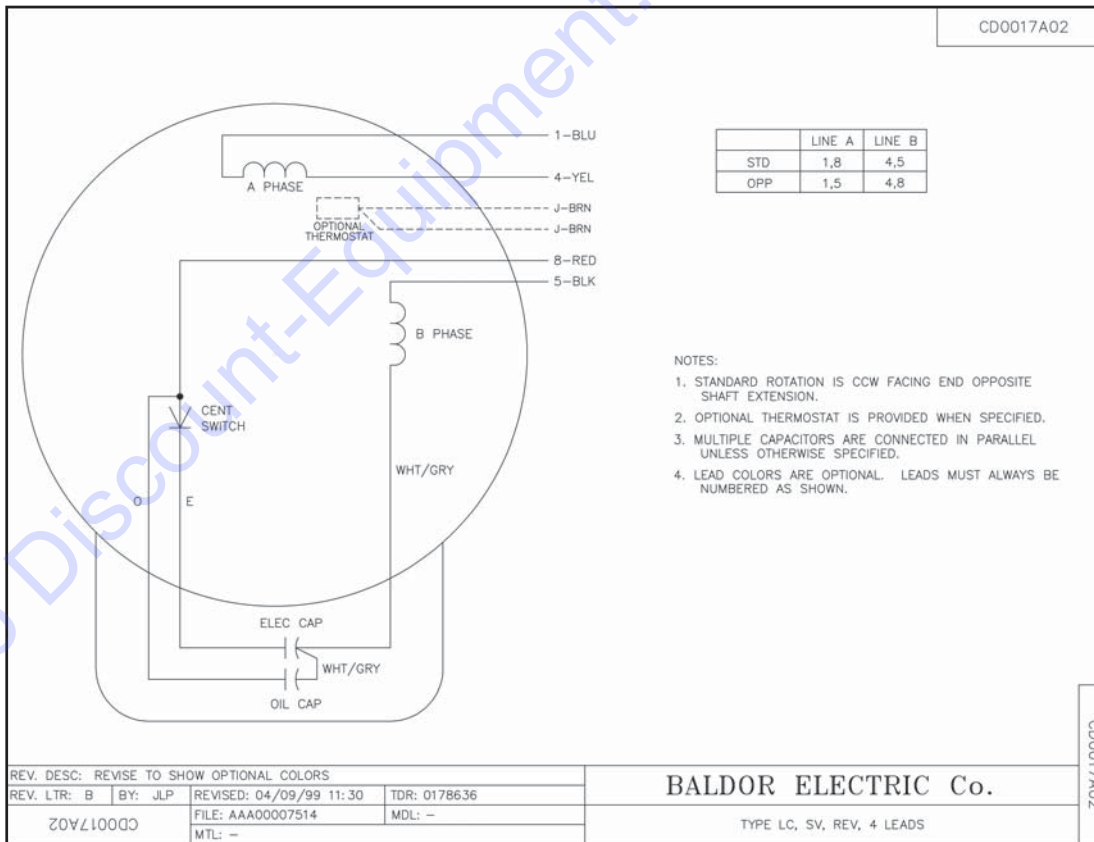
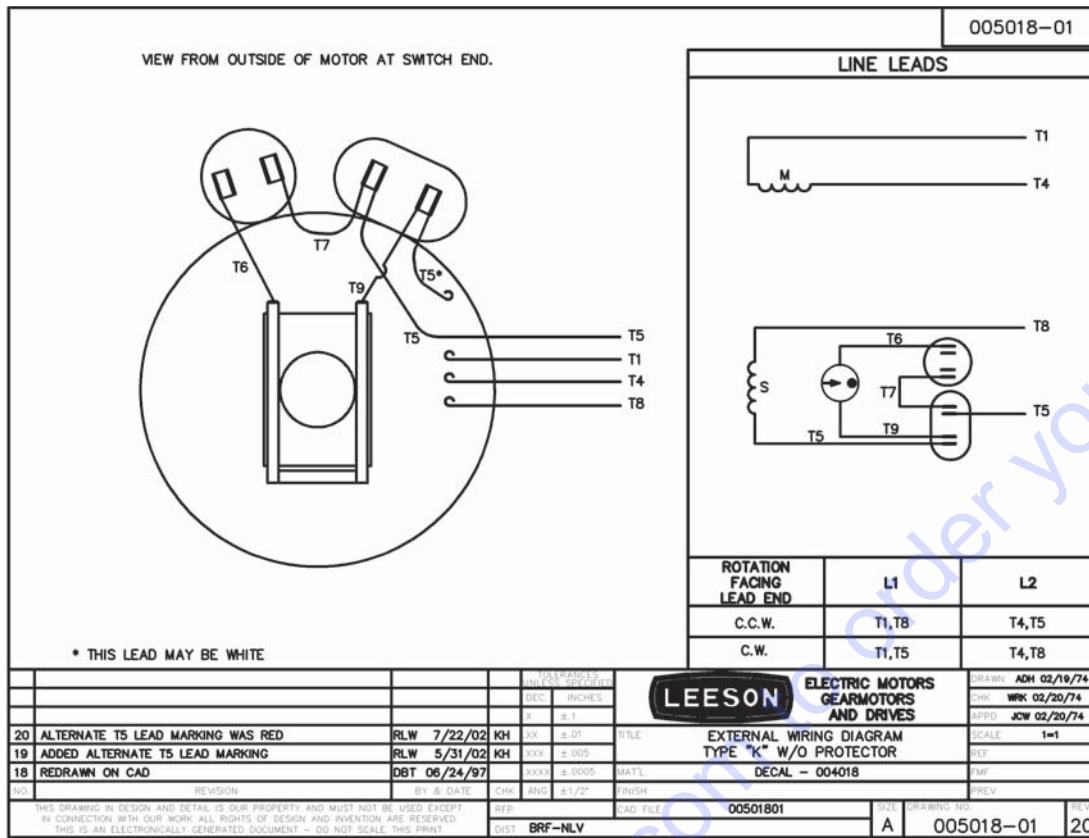


REPLACEMENT CAPACITORS FOR LEESON MOTOR:

PART # 16521 - START CAPACITOR, LEESON 003049.04 390MFD 250V

PART # 16522 - RUN CAPACITOR, LEESON 003050.05 45MFD 370V

See the reverse side of this page for the Wiring Diagrams for these Motors.



PARTS FINDER

**Search Website
by Part Number**



**Search Manual
Library For Parts
Manual & Lookup Part
Numbers – Purchase
or Request Quote**

Search Manuals

Enter your information to help us find the right parts manual for your machine.

* Brand:

* Model:

* Serial:

* Part Number:

SEARCH

**Can't Find Part or
Manual? Request Help
by Manufacturer,
Model & Description**

Parts Order Form

Please fill in the following information to help us find the right part for your machine.

| | |
|---------------|----------------------|
| Manufacturer: | <input type="text"/> |
| Model: | <input type="text"/> |
| Description: | <input type="text"/> |
| Part Number: | <input type="text"/> |
| Quantity: | <input type="text"/> |
| Notes: | <input type="text"/> |

Submit

Discount-Equipment.com is your online resource for quality parts & equipment.

Florida: **561-964-4949** Outside Florida TOLL FREE: **877-690-3101**

Need parts?

Click on this link: <http://www.discount-equipment.com/category/5443-parts/> and choose one of the options to help get the right parts and equipment you are looking for. Please have the machine model and serial number available in order to help us get you the correct parts. If you don't find the part on the website or on one of the online manuals, please fill out the request form and one of our experienced staff members will get back to you with a quote for the right part that your machine needs.

We sell worldwide for the brands: Genie, Terex, JLG, MultiQuip, Mikasa, Essick, Whiteman, Mayco, Toro Stone, Diamond Products, Generac Magnum, Airman, Haulotte, Barreto, Power Blanket, Nifty Lift, Atlas Copco, Chicago Pneumatic, Allmand, Miller Curber, Skyjack, Lull, Skytrak, Tsurumi, Husquvarna Target, Stow, Wacker, Sakai, Mi-T-M, Sullair, Basic, Dynapac, MBW, Weber, Bartell, Bennar Newman, Haulotte, Ditch Runner, Menegotti, Morrison, Contec, Buddy, Crown, Edco, Wyco, Bomag, Laymor, EZ Trench, Bil-Jax, F.S. Curtis, Gehl Pavers, Heli, Honda, ICS/PowerGrit, IHI, Partner, Imer, Clipper, MMD, Koshin, Rice, CH&E, General Equipment, Amida, Coleman, NAC, Gradall, Square Shooter, Kent, Stanley, Tamco, Toku, Hatz, Kohler, Robin, Wisconsin, Northrock, Oztec, Toker TK, Rol-Air, APT, Wylie, Ingersoll Rand / Doosan, Innovatech, Con X, Ammann, Mecalac, Makinex, Smith Surface Prep, Small Line, Wanco, Yanmar