

OPERATION AND PARTS MANUAL



GLOBUG SERIES MODEL GBC8LED LIGHTING SYSTEM

Revision #1 (01/07/16)



www.discount-equipment.com

THIS MANUAL MUST ACCOMPANY THE EQUIPMENT AT ALL TIMES.

TO PURCHASE THIS PRODUCT PLEASE CONTACT US



**Equipment Financing and
Extended Warranties Available**



**Discount-Equipment.com is your online resource for
commercial and industrial quality parts and equipment sales.**

561-964-4949

visit us on line @ www.discount-equipment.com

Select an option below to find your Equipment



Search by Manufacturer

Search by Product Type

Request a Quote

We sell worldwide for the brands: Genie, Terex, JLG, MultiQuip, Mikasa, Essick, Whiteman, Mayco, Toro Stone, Diamond Products, Generac Magnum, Airman, Haulotte, Barreto, Power Blanket, Nifty Lift, Atlas Copco, Chicago Pneumatic, Allmand, Miller Curber, Skyjack, Lull, Skytrak, Tsurumi, Husquvarna Target, Stow, Wacker, Sakai, Mi-T-M, Sullair, Basic, Dynapac, MBW, Weber, Bartell, Bennar Newman, Haulotte, Ditch Runner, Menegotti, Morrison, Contec, Buddy, Crown, Edco, Wyco, Bomag, Laymor, EZ Trench, Bil-Jax, F.S. Curtis, Gehl Pavers, Heli, Honda, ICS/PowerGrit, IHI, Partner, Imer, Clipper, MMD, Koshin, Rice, CH&E, General Equipment, Amida, Coleman, NAC, Gradall, Square Shooter, Kent, Stanley, Tamco, Toku, Hatz, Kohler, Robin, Wisconsin, Northrock, Oztec, Toker TK, Rol-Air, APT, Wylie, Ingersoll Rand / Doosan, Innovatech, Con X, Ammann, Mecalac, Makinex, Smith Surface Prep, Small Line, Wanco, Yanmar

FUEL CHEMICAL WARNING

 **WARNING** 

Gasoline engine exhaust and some of its constituents are known to cause cancer, birth defects and other reproductive harm.

Go to Discount-Equipment.com to order your parts

TABLE OF CONTENTS

GBC8LED Lighting System

Fuel Chemical Warning	2
Table Of Contents	3
Parts Ordering Procedures.....	4
Safety Information	5-9
Specifications	10
Dimensions.....	11
Footcandle Plot.....	12
General Information.....	13
Components	14-15
Setup	16-17
Operation.....	18-21
Maintenance	22-25
Wiring Diagram.....	26
Troubleshooting	27-30
Explanation Of Code In Remarks Column.....	32
Suggested Spare Parts	33

Component Drawings

Nameplate And Decals.....	34-35
Balloon And Lamp Assy	36-39
Mast Assy	40-41
Base Assy.....	42-43
Outrigger Assy.....	44-45
Terms And Conditions Of Sale — Parts	46

NOTICE

Specifications and part numbers are subject to change without notice.

SAFETY INFORMATION


Do not operate or service the equipment before reading the entire manual. Safety precautions should be followed at all times when operating this equipment. Failure to read and understand the safety messages and operating instructions could result in injury to yourself and others.





SAFETY MESSAGES

The four safety messages shown below will inform you about potential hazards that could injure you or others. The safety messages specifically address the level of exposure to the operator and are preceded by one of four words: **DANGER**, **WARNING**, **CAUTION** or **NOTICE**.

SAFETY SYMBOLS



 DANGER
Indicates a hazardous situation which, if not avoided, WILL result in DEATH or SERIOUS INJURY .

 WARNING
Indicates a hazardous situation which, if not avoided, COULD result in DEATH or SERIOUS INJURY .

 CAUTION
Indicates a hazardous situation which, if not avoided, COULD result in MINOR or MODERATE INJURY .

NOTICE
Addresses practices not related to personal injury.

Potential hazards associated with the operation of this equipment will be referenced with hazard symbols which may appear throughout this manual in conjunction with safety messages.

Symbol	Safety Hazard
	Burn hazards
	Electric shock hazards

SAFETY INFORMATION

GENERAL SAFETY

CAUTION

- **NEVER** operate this equipment without proper protective clothing, shatterproof glasses, respiratory protection, hearing protection, steel-toed boots and other protective devices required by the job or city and state regulations.



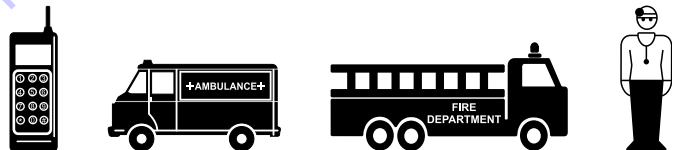
- **NEVER** operate this equipment when not feeling well due to fatigue, illness or when under medication.
- **NEVER** operate this equipment under the influence of drugs or alcohol.



- **ALWAYS** check the equipment for loosened threads or bolts before starting.
- **DO NOT** use the equipment for any purpose other than its intended purposes or applications.

NOTICE

- This equipment should only be operated by trained and qualified personnel 18 years of age and older.
- Whenever necessary, replace nameplate, operation and safety decals when they become difficult read.
- Manufacturer does not assume responsibility for any accident due to equipment modifications. Unauthorized equipment modification will void all warranties.
- **NEVER** use accessories or attachments that are not recommended by Multiquip for this equipment. Damage to the equipment and/or injury to user may result.
- **ALWAYS** know the location of the nearest fire extinguisher.
- **ALWAYS** know the location of the nearest first aid kit.
- **ALWAYS** know the location of the nearest phone or **keep a phone on the job site**. Also, know the phone numbers of the nearest **ambulance, doctor** and **fire department**. This information will be invaluable in the case of an emergency.



SAFETY INFORMATION

LIGHTING SYSTEM SAFETY

WARNING

- **NEVER** disconnect any **emergency or safety devices**. These devices are intended for operator safety. Disconnection of these devices can cause **severe injury, bodily harm or even death**. Disconnection of any of these devices will void all warranties.

CAUTION

- **NEVER** attempt service on a running machine.

NOTICE

- To prevent the lighting system from overturning, **NEVER** use in winds that exceed 25 mph (11 m/s).
- The lighting system should only be used in temperatures between 14° to 104°F (-10° to 40° C). Failure to comply with these operating parameters could cause the lamp to malfunction and shorten the ballast life.
- **ALWAYS** keep the lighting system in proper running condition.
- Fix damage to lighting system and replace any broken parts immediately.
- **ALWAYS** store equipment properly when it is not being used. Equipment should be stored in a clean, dry location out of the reach of children and unauthorized personnel.

LAMP SAFETY

WARNING

- **NEVER** attempt to replace lamp with the power on. Always unplug the power cord from the generator or power source when changing the lamp.
- **ALWAYS** allow a sufficient amount of time for the lamp to **cool** before changing. The possibility exists of severe burns.

CAUTION

- **NEVER** use force when installing the lamp. Excessive force could cause the lamp to break, causing bodily harm.

NOTICE

- **NEVER** leave any grease or oil residue on lamp surface when replacing or removing lamp. This can create hot spots, reducing the service life of the lamp.
- **ALWAYS** make sure lamp surface is clean and dry.
- **ALWAYS** replace with MQ recommended type lamp. See parts section of this manual.
- **NEVER** unplug the lamp's AC power cable during operation.
- **ALWAYS** have a **trained technician** to install and remove lamp or replace any damaged fixture wiring.

SAFETY INFORMATION

BALLOON SAFETY

CAUTION

- **ALWAYS** keep the balloon away from sharp objects and excessive amounts of heat.

NOTICE

- **DO NOT** place the balloon inside its protective cover until the LED lamp assembly has cooled down.
- **ALWAYS** place the balloon inside its protective cover after each use. This will prolong the life of the balloon material, keeping it protected from harsh environmental elements.
- Replace balloon immediately if damaged. A damaged balloon will not inflate properly, and may become more damaged by touching the hot lamp surface.
- **DO NOT** use excessive force when zipping and unzipping the balloon. Be gentle with the zipper mechanism. If the zipper is broken, the balloon will become unusable.

GENERATOR SAFETY

If using a generator to power lighting system, refer to applicable generator manual safety information section.



ELECTRICAL SAFETY

DANGER

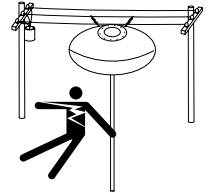
- Lighting system is equipped with a ground pin on the power plug. For your protection, **ALWAYS** complete the grounding path. **NEVER** insert the AC power plug into a 2-prong receptacle to operate lighting system.

When applying power to the lighting system, **ALWAYS** connect the AC power plug to a 3-prong receptacle that is grounded. The possibility exists of **electrical shock, electrocution and even death** if the lighting system is not grounded.

- **NEVER** operate lighting system or handle any electrical equipment while standing in water, while barefoot, while hands are wet or in the rain. A dangerous **electrical shock** could occur, causing **severe bodily harm or even death**.



- **ALWAYS** make sure the area above the lighting system is open and clear of overhead power lines and other obstructions. Contact with overhead power lines or other obstructions could result in equipment damage, **electrical shock, electrocution and even death**.

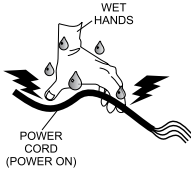


SAFETY INFORMATION

Power Cord/Cable Safety

DANGER

- **NEVER** let power cords or cables **lay in water**.
- **NEVER** use **damaged** or **worn** cables or cords. Inspect for cuts in the insulation
- **NEVER** grab or touch a live power cord or cable with wet hands. The possibility exists of **electrical shock, electrocution or death**.
- Make sure power cables are securely connected. Incorrect connections may cause **electrical shock** and damage to the lighting system.



NOTICE

- **ALWAYS** make certain that proper power or extension cord has been selected for the job. See Cable Selection Chart in this manual.

LOADING AND UNLOADING

Cart Type - No Lifting Hook

If lighting system is not equipped with a transport lifting hook and the mast is removable, refer to the following safety information.

- Before lifting, make sure that the mast and lamp are removed as described in the manual.
- The cart can be safely lifted by two persons to the transport vehicle.

TRANSPORTING SAFETY

NOTICE

- When transporting the lighting system, if applicable, always place in **stow position** and place mast in its carrying case.
- **ALWAYS** remove balloon/lamp assembly from the mast when transporting lighting system. This will prevent damage to the bulb due to vibration.
- **NEVER** leave the balloon/lamp exposed during transport. Exposure to excess wind or rain could damage the balloon's nylon cover.
- **ALWAYS** place balloon inside its protective cover during transport. Be sure the cover is secured tightly around the balloon/lamp assembly.

SPECIFICATIONS

Table 1. Specifications		
Globug Lighting System		
Model	GBC8LED	
Input Voltage	120 VAC	
Frequency	50 Hz/ 60 Hz	
Max. Current	6.9 Amps (120V @800 W)	
Weight	Lamp Fixture	24.70 lb (11.2 kg)
	Mast	4.85 lb (2.2 kg)
	Storage Case	1.54 lb (0.7 kg)
	Cable	1.54 lb (0.7 kg)
Appropriate Generator	850 W and above	
Lamp		
Lamp Type	LED	
Dimming Control	3 stages: 800W / 600W / 400W	
Total Luminous Flux (lm)	110000 ±7% @800W	
	68000 ±7% @600W	
	53000 ±7% @400W	
Operation_Enabled Temperature Range	14 to 104°F (-10 to 40 °C)	
Cart and Mast Assembly		
Number of Stages	3 (with gas assist)	
Maximum Height (Standard)	10.5 feet (3.2 meters)	
Cart Design	Steel, Zinc-plated with 8" Pneumatic Tires	
Cart Features	3 Support Outriggers and Brake	

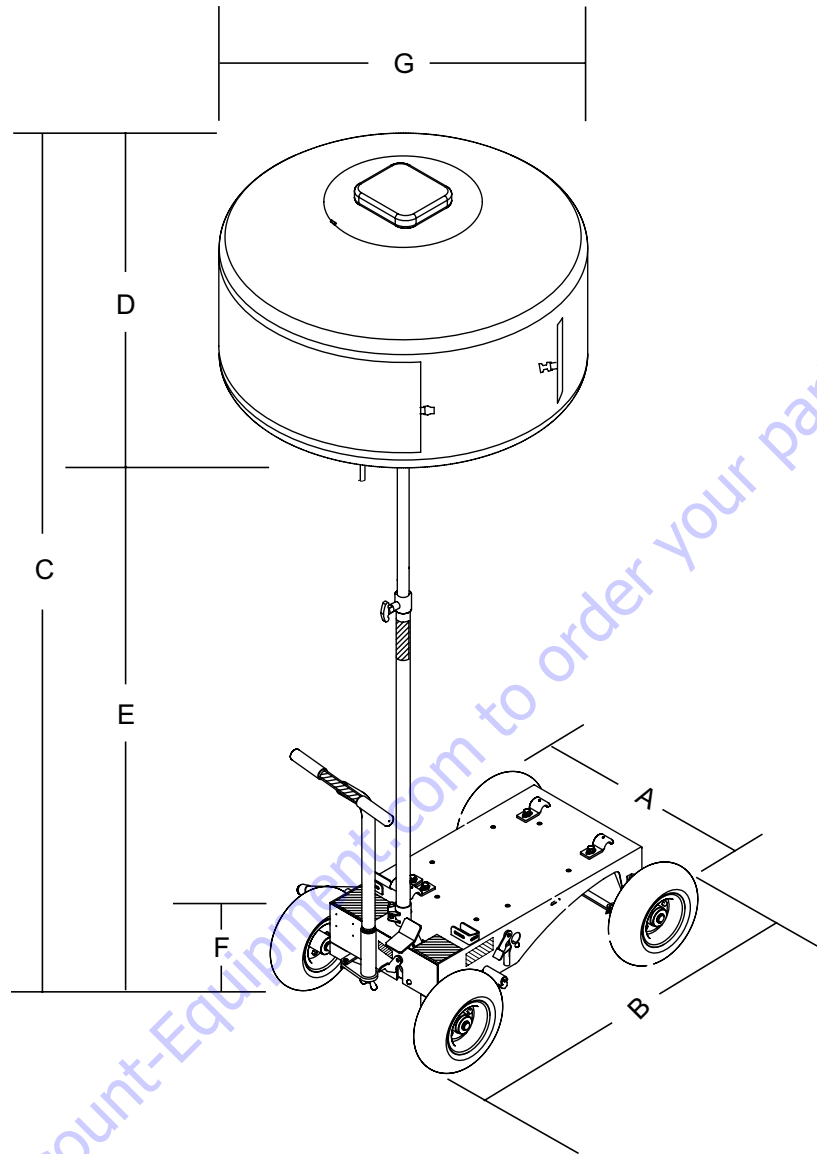
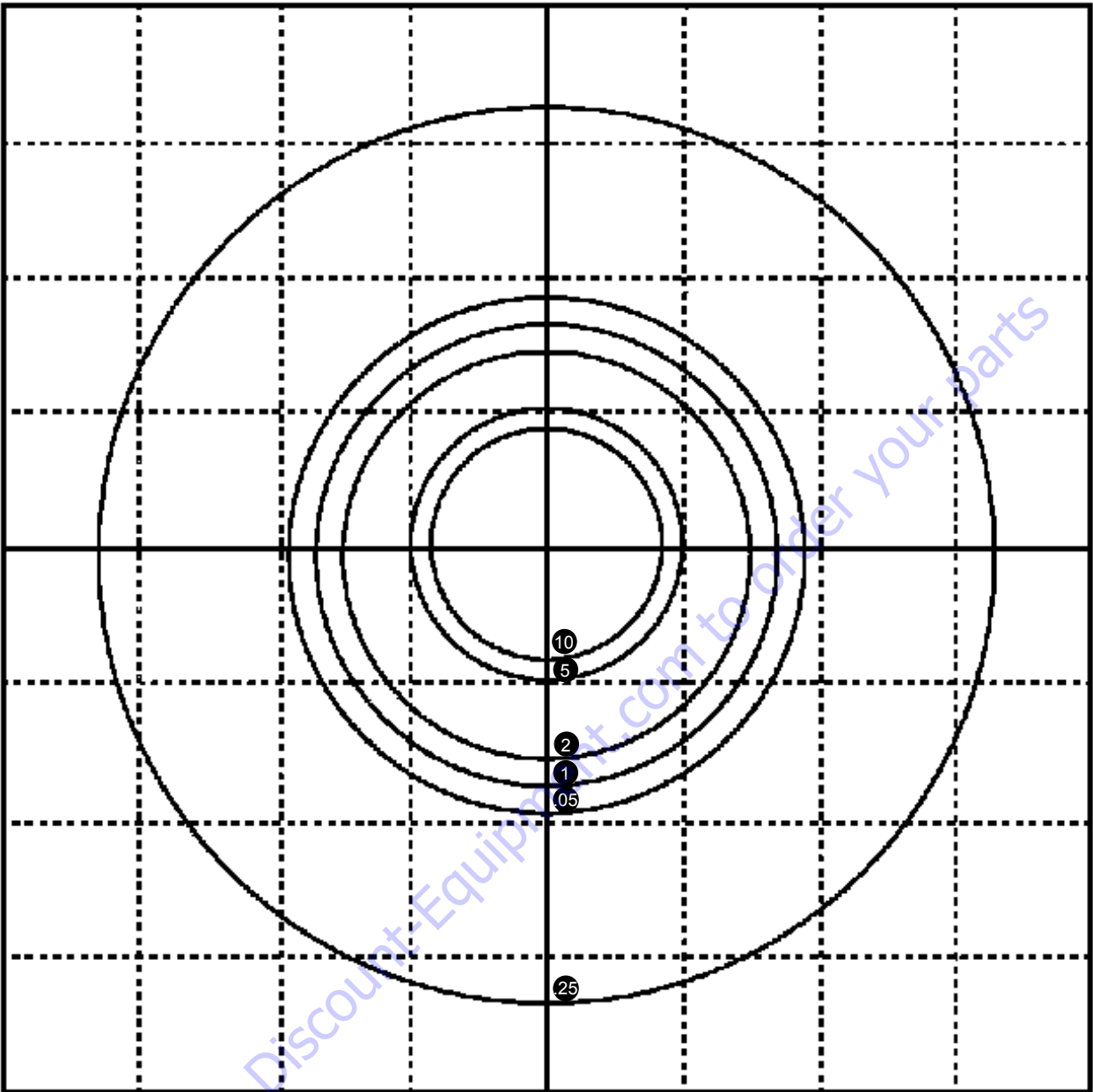


Figure 1. GBC8LED Dimensions

Table 2. Dimensions		
Reference Letter	Description	Dimension inches (mm)
A	Cart Width	27.6 (700)
B	Cart Length	40.3 (1,023)
C	Total Max. Height (with Standard Balloon)	127.3 (3,200)
D	Standard Balloon Height	25.6 (650)
E	Mast Height (without Balloon)	100.1 (2,543)
F	Cart Height	12.2 (310)
G	Standard Balloon Diameter	47.2 (1,200)

FOOTCANDLE PLOT



1 Grid = 20 ft. (6 meters)

Illuminance (Footcandle)	10	5	2	1	0.5	0.25
Diameter Ft. (Meters)	34 (10)	40 (12)	60 (18)	68 (21)	76 (23)	132 (40)

Figure 2. Illumination Range

GENERAL INFORMATION

The Multiquip GloBug GBC8LED is a general purpose, portable, glare-free lighting system. Typical applications for these types of lighting system include construction sites, emergency road crews and backyard parties.

This GloBug lighting system is comprised of LED lamps in a shock-resistant, waterproof LED assembly. The LED assembly has an output of 110,000 lumens @800W. The LEDs have a long operating life of up to 40,000 hours. The lighting system has a 3-stage dimming control (400W, 600W and 800W).

The GBC8LED has a three-stage mast that extends to a height of up to 10.5 feet. It has a steerable cart design for easy transportation. Three outriggers on the cart ensures great stabilization.

The GBC8LED can be powered by a variety of Multiquip's series generators with an output power of 850 W or greater.

If an extension cord is necessary to connect to a power source, refer to Table 3 to select the proper length.

Table 3. Extension Cord Gauge Selection

Ampere Rating Range	Volts	Length of Cord in Feet								
	115V	25 Ft.	50 Ft.	100 Ft.	150 Ft.	200 Ft.	250 Ft.	300 Ft.	400 Ft.	500 Ft.
	230V	50 Ft.	100 Ft.	200 Ft.	300 Ft.	400 Ft.	500 Ft.	600 Ft.	800 Ft.	1000 Ft.
0 - 2	18	18	18	16	16	14	14	12	12	
2 - 3	18	18	16	14	14	12	12	10	10	
3 - 4	18	18	16	14	12	12	10	10	8	
4 - 5	18	18	14	12	12	10	10	8	8	
5 - 6	18	16	14	12	10	10	8	8	6	
6 - 8	18	16	12	10	10	8	6	6	6	
8 - 10	18	14	12	10	8	8	6	6	4	
10 - 12	16	14	10	8	8	6	6	4	4	
12 - 14	16	12	10	8	6	6	6	4	2	
14 - 16	16	12	10	8	6	6	4	4	2	
16 - 18	14	12	8	8	6	4	4	2	2	
18 - 20	14	12	8	6	6	4	4	2	2	

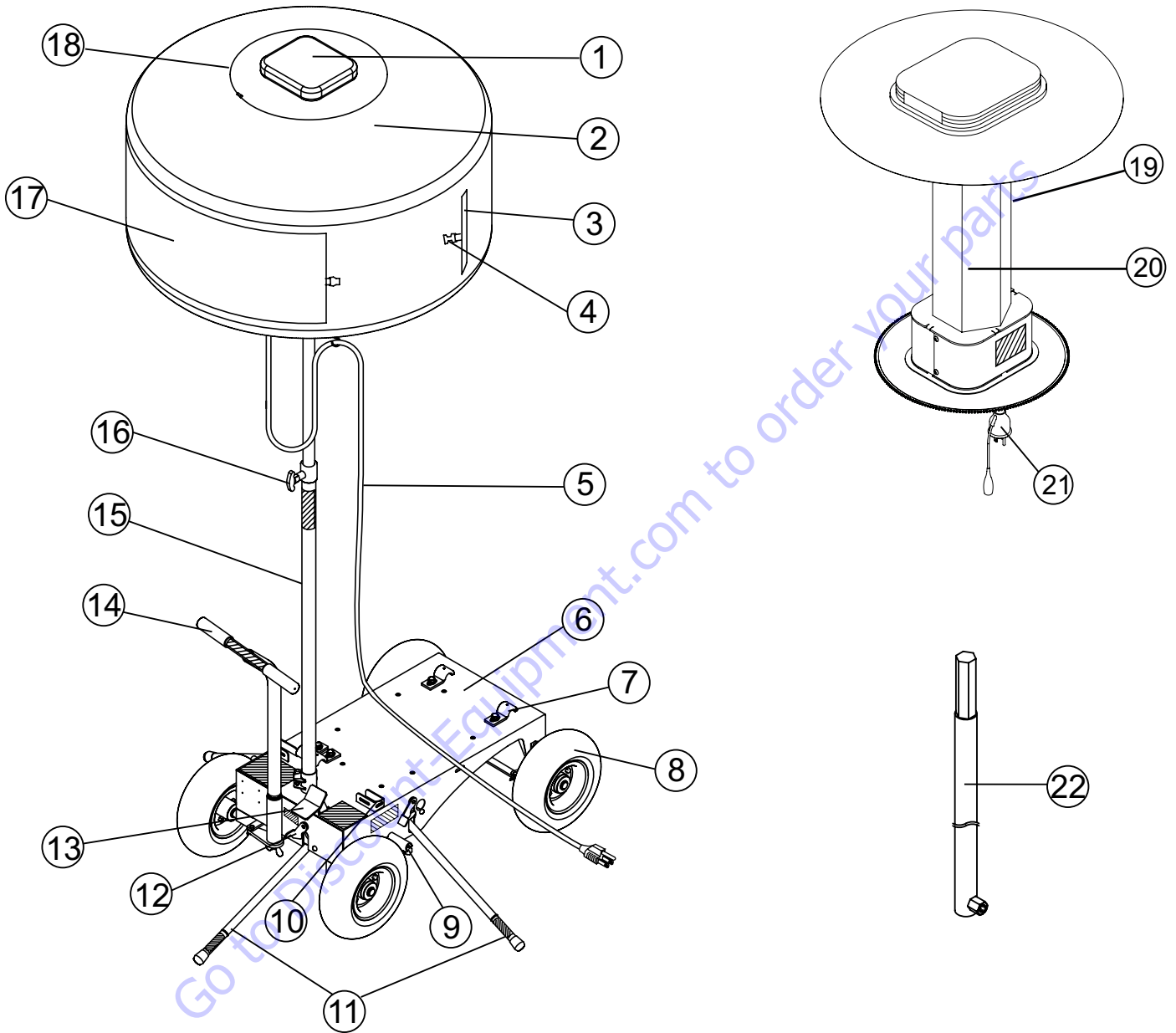


Figure 3. GBC8LED Components

COMPONENTS

Figure 3 shows the location of the controls and components for the GBC8LED Lighting System. The functions of each control is described below:

1. **Balloon Cover** — Stores balloon when GBC8LED is not in use.
2. **Balloon** — Made of heat resistant polyester, with a diameter of 47.2 inches (1,200 mm). Balloon is self-inflating and inflates in less than 20 seconds.
3. **Velcro** — Used to easily attach optional message strip to the balloon.
4. **Buckle** — Used to hold the balloon together when storing inside the cover.
5. **AC Power Cable** — Connects to the AC power source.
6. **Cart** — Holds the generator and can be steered easily to transport GBC8LED to different locations.
7. **Locking Clamps** — To secure the generator to the cart platform, place clamps around the pipe frame of the generator. Tighten securely to prevent movement.
8. **Tire** — The GBC8LED uses four pneumatic tires for easy maneuverability.
9. **Brake Pad** — When the brake pedal is pressed, this pad will strike and hold the rear tires in place.
10. **Strap Slots** — Allows suitcase generators to be strapped to cart securely.
11. **Outriggers** — Provides stability to the GBC8LED. When raising the mast, outriggers should always be deployed.
12. **Counter Weight** — Locks the outriggers in place when they are deployed or stowed.
13. **Brake Pedal** — Step on this pedal and pull back T-handle to apply the brakes. To release the brakes, press down and hold brake pedal again then release.
14. **T-Handle** — Moves the GBC8LED in either forward or reverse direction by pulling back or pushing forward. The T-handle also allows the cart to be steered left or right.
15. **Mast** — This mast is comprised of three separate stages. The mast can be raised in excess of 8 feet (without balloon).

WARNING

When raising the mast, always be on the lookout for overhead obstructions.

16. **Mast Bolt** — Loosen to raise mast and tighten to keep the mast in place when raised to the desired height.
17. **Message Strip (OPTIONAL)** — A 12 x 43 inch message strip (Part No. GBBALD1) may be attached to the balloon. The message strip can be purchased separately.
18. **Zipper** — Zips up balloon to completely close it when lamp is in place.
19. **Lamp Guard** — Protects the lamp from being hit by objects.
20. **Lamp** — Comprised of LED lamps. The lamps have three stages of brightness: 800W, 600W, and 400W.
21. **AC Power Cable** — Connect this cable to a 120 VAC, 60 Hz power source.
22. **Extension Pole (Optional)** — 3-foot section of vertical mast that can extend the height of the GloBug (Part Number: GBXPOLE).

1. Set the GBC8LED cart on a firm level surface where there is enough space around the cart for the outriggers to be deployed.
2. Insert the T-handle into the handle holder on the cart. Tighten with the wing bolt. See Figure 4.

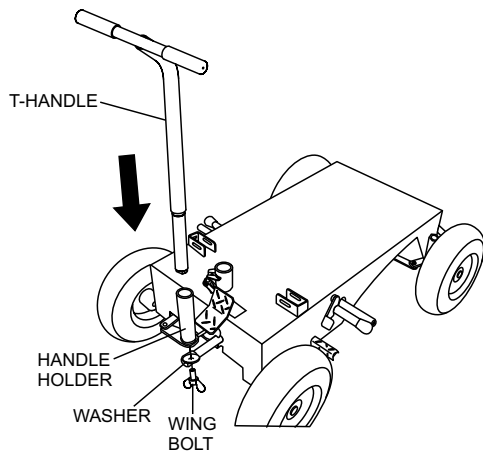


Figure 4. T-Handle Installation

3. Insert the mast into the mast holder and secure with lever as shown in Figure 5.

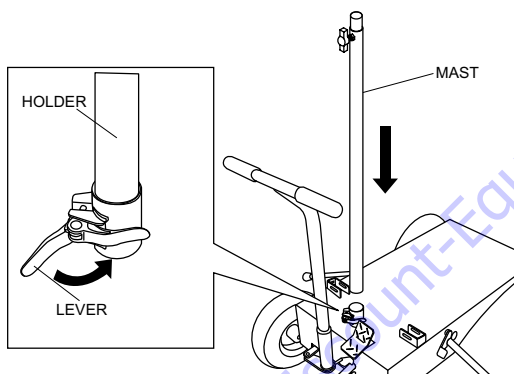


Figure 5. Inserting the Mast Into Holder

4. If desired, attach an optional extension pole to the top of the mast as shown in Figure 6.

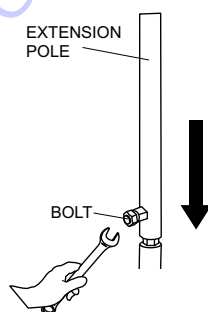


Figure 6. Extension Pole Attachment

5. Insert the balloon assembly into the mast. Tighten the T-bolt securely. See Figure 7.

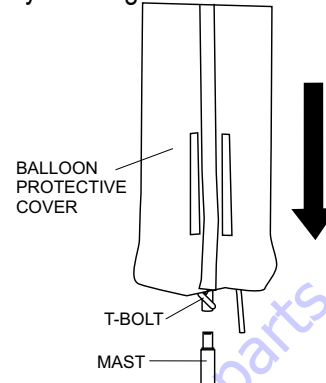


Figure 7. Installing the Balloon

6. Unsnap the three buttons on the bottom of the balloon cover and unzip the cover. See Figure 8.

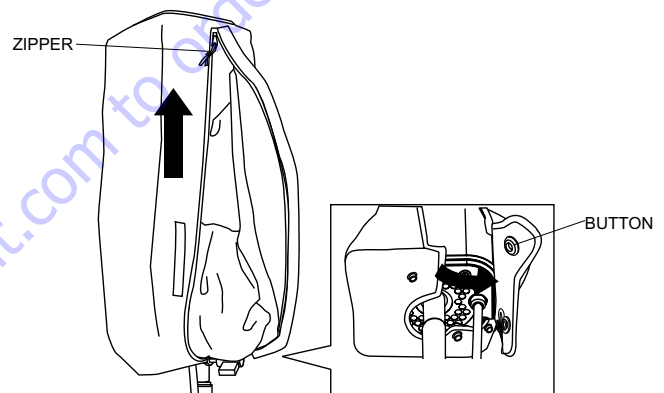


Figure 8. Unzipping Balloon Cover

7. Fold the balloon cover into itself and zip it up. See Figure 9.

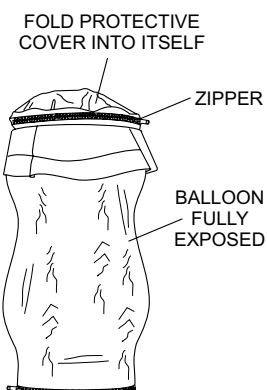


Figure 9. Folding Balloon Cover

- Secure the power cable by hooking it to the eyelet on the bottom of the balloon as shown in Figure 10.

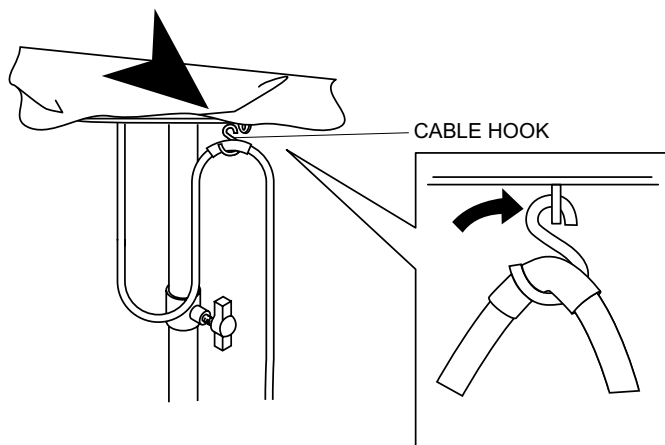


Figure 10. Securing Cable with Hook

- Release the buckle on the belt holding the balloon together. See Figure 11.

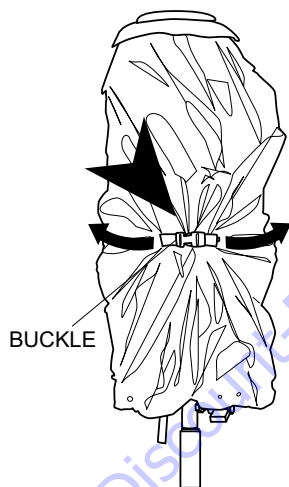


Figure 11. Releasing Buckle

APPLYING PARKING BRAKE

1. Step on the brake pedal while pulling on the T-handle until the brake pedal is all the way down. See Figure 12.

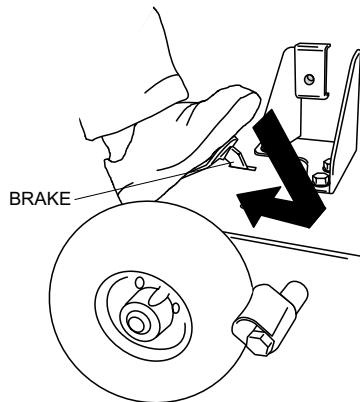


Figure 12. Applying Brake

RELEASING PARKING BRAKE

1. Step on the brake pedal, hold then release. See Figure 13. This will disengage the braking mechanism and will allow the GBC8LED to be moved.

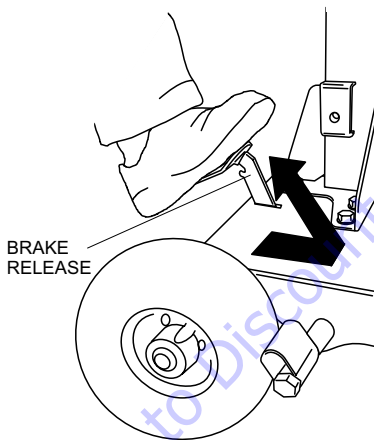


Figure 13. Releasing Brake

DEPLOYING OUTRIGGER

1. Pull up the counterweight that holds the outrigger in place and pull the outrigger all the way out. See Figure 14.

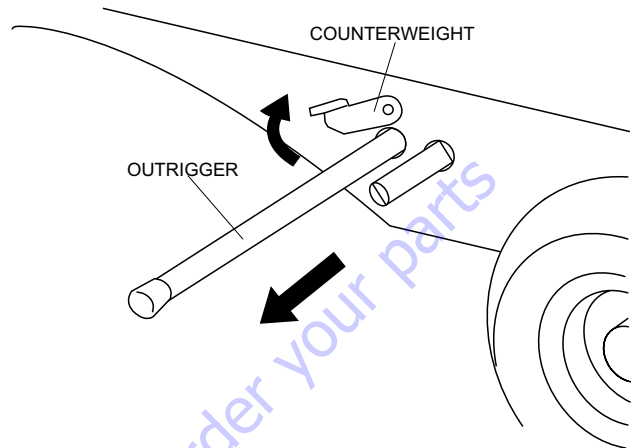


Figure 14. Deploying Outrigger

2. Pull the outrigger down until it touches the ground. Pull down counterweight to lock the outrigger in place. See Figure 15.

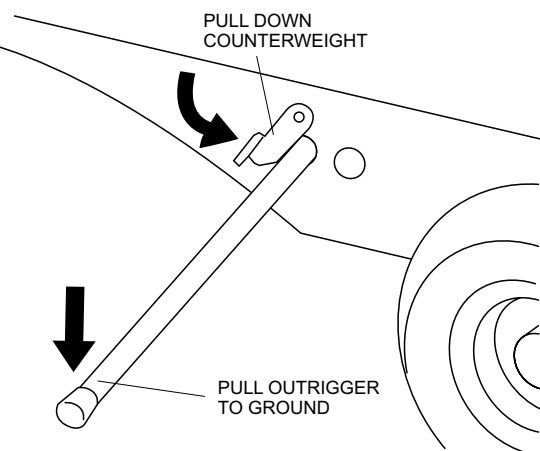


Figure 15. Locking Deployed Outrigger

STOWING OUTRIGGER

1. Pull up the counterweight to unlock the outrigger and pull up outrigger. See Figure 16.

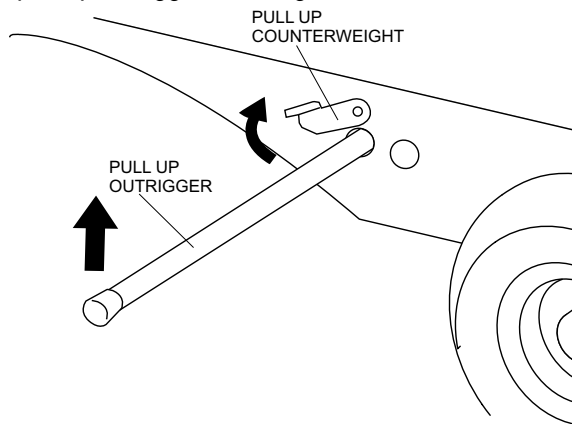


Figure 16. Stowing Outrigger

2. Push in outrigger until it is all the way in and pull down counterweight to lock it in place. See Figure 17.

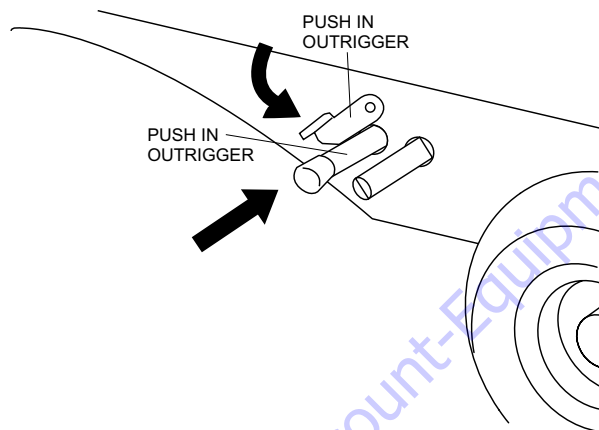
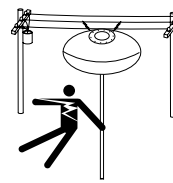


Figure 17. Locking Stowed Outrigger

RAISING THE MAST

⚠ DANGER



ALWAYS make sure the area above the lighting system is open and clear of overhead power lines and other obstructions. Contact with overhead power lines or other obstructions could result in equipment damage, **electrical shock, electrocution and even death.**

⚠ CAUTION

When raising or lowering the mast, keep hands and fingers clear of the mast sections to prevent hand and fingers from getting pinched.

1. Raise the second mast to the desired height and tighten the T-bolt securely. See Figure 18.

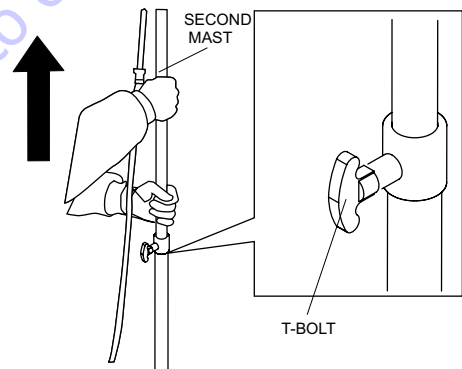


Figure 18. Raising the Second Mast

2. To raise the mast higher, raise the third mast until the lock/release tab pops out. The tab will automatically rest on the second mast. See Figure 19.

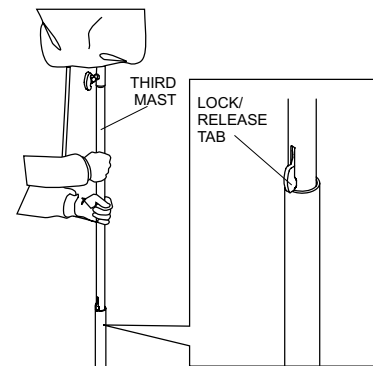


Figure 19. Raising the Third Mast

LOWERING THE MAST

1. Loosen the T-bolt holding the second mast and push mast all the way down. Tighten T-bolt securely. See Figure 20.

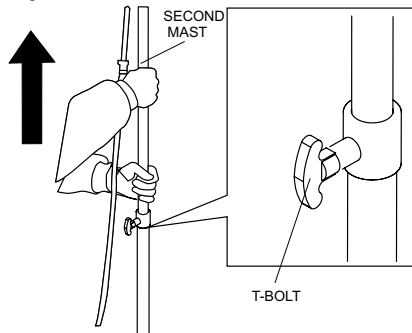


Figure 20. Lowering Second Mast

2. Push the lock/release tab on the third mast to release it and lower third mast. See Figure 21.

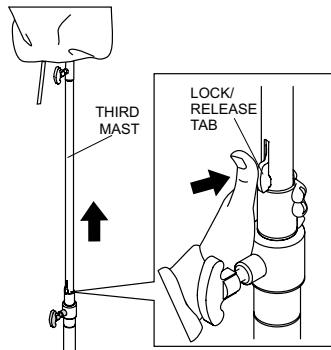


Figure 21. Lowering Third Mast

APPLYING POWER

3. Connect the AC power cord to a 120 VAC external power source or to a 120 VAC receptacle on a generator (Figure 22).

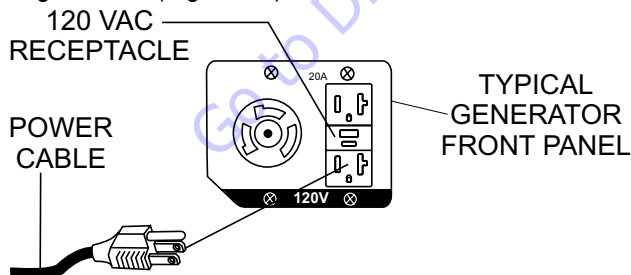


Figure 22. Connecting to Power Source

4. Start the generator as indicated in the generator manual.
5. Turn on the power of the generator. The balloon will start to inflate and the lamp will turn on at 600W.

DIMMING THE LAMP

1. Press the dimmer switch to control the brightness of the lamp (Figure 23). The lamp can be turned off or set to 400W, 600W or 800W. The corresponding LED will light red when selected (Figure 24).

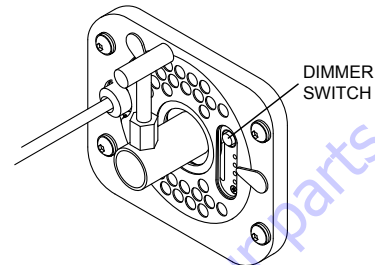


Figure 23. Dimmer Switch

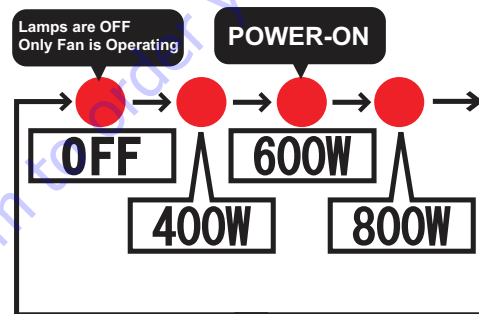


Figure 24. Brightness LED Indicators

2. Zip up the bottom of the balloon completely after use of the dimmer switch.

SILENT MODE

Noise coming from the unit during operation can be eliminated.

1. Press and hold the dimmer switch (Figure 23) for 2 seconds. The blue LED in the center of the switch will flash when in silent mode.
2. To switch back to normal mode, press and hold the dimmer switch for 3 seconds. The blue LED will stop flashing.

NOTICE

The brightness of the lamp can still be adjusted when in silent mode.

When unit is restarted, it will revert to normal mode even if silent mode was selected prior to shutdown.

SHUTDOWN

1. Turn off the power switch of the generator. The balloon should start to deflate and the lamp will turn off.
2. Disconnect the AC power cord from the generator.

STORAGE

1. Loosen the lower T-handle by turning handle counterclockwise (Figure 25). Push down on mast until mast is fully inserted into mast housing. Tighten T-handle fully.

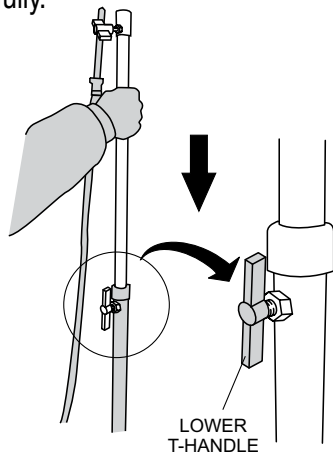


Figure 25. Lowering the Mast

2. Remove the S-type hook (Figure 26) on the AC power cord from the washer-eylet located on the bottom plate of the light assembly.

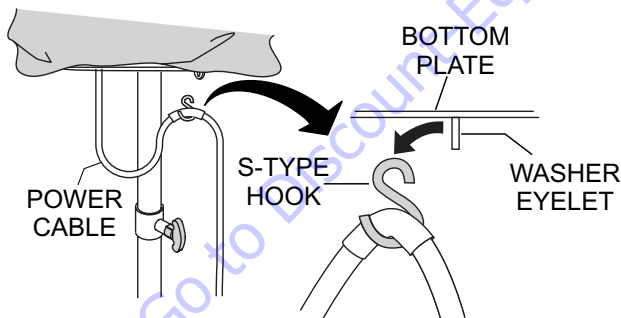


Figure 26. Removing Power Cable

3. Unzip the zipper on the protective cover (Figure 27) and roll down the protective cover over the balloon cloth.

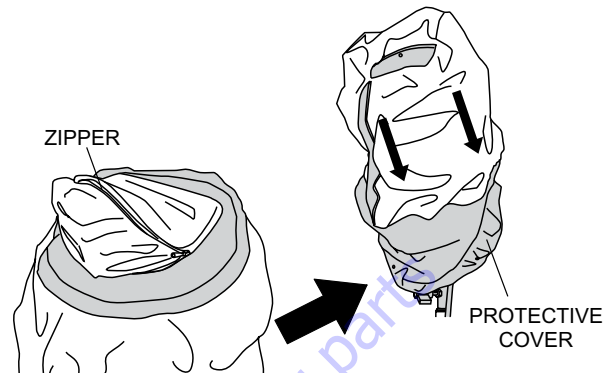


Figure 27. Unzipping the Protective Cover

4. Store the power cable inside the pocket of the protective cover (Figure 28). Zip up the protective cover and snap the buttons on the bottom of the protective cover.

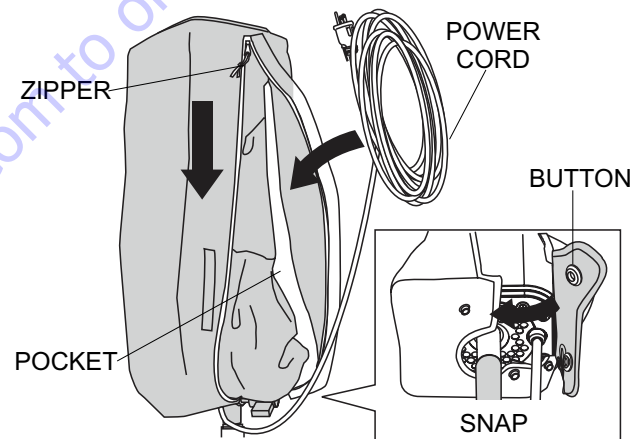


Figure 28. Zipping the Protective Cover

5. Loosen upper T-handle by turning counterclockwise and lift lamp assembly from mast.
6. Store lamp assembly enclosed with its protective cover (Figure 29) in a safe location where it will not be damaged.



Figure 29. Storing Lamp Assembly

REPLACING THE LAMP

NOTICE

Contact Multiquip Technical Support Department for assistance in replacing LED lamps.

REPLACING BALLOON ENVELOPE

1. Unzip the zipper (Figure 30) at the top and bottom of the balloon envelope (cover).

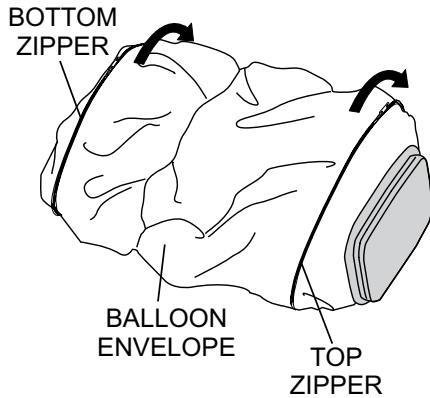


Figure 30. Unzipping the Balloon Envelope

2. Slide the old or worn balloon envelope (Figure 31) over the top of the lamp guard assembly.

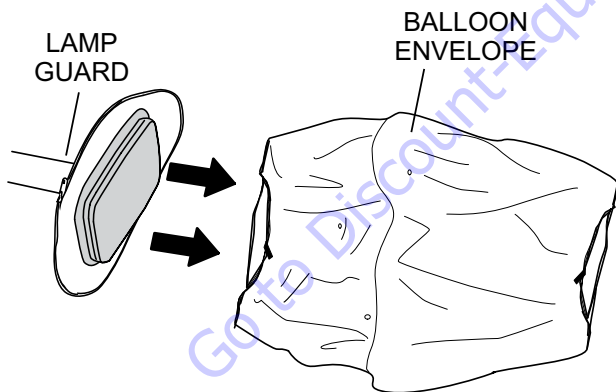


Figure 31. Removing the Balloon Envelope

3. Slide the new balloon (Figure 32) envelope over the top of the lamp guard assembly.

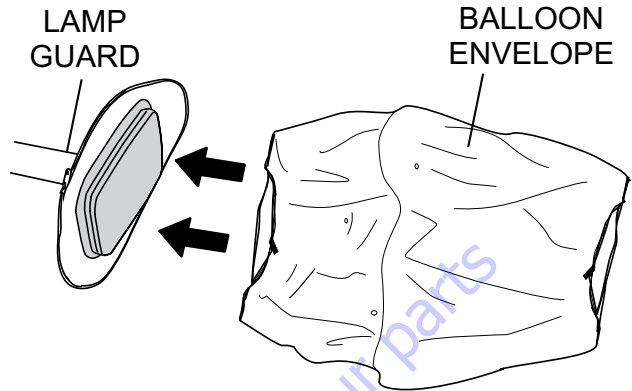


Figure 32. Installing New Balloon Envelope

4. Zip up the zipper (Figure 33) at the top and bottom of the balloon envelope (cover).

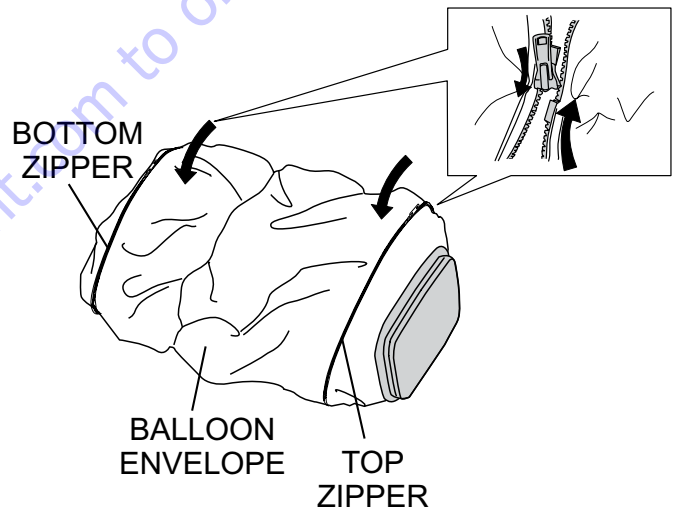


Figure 33. Zipping the Balloon Envelope

FILTER REPLACEMENT

1. Remove the balloon as described in the STORAGE section.
2. Turn the balloon/lamp assembly upside down to access the filter. See Figure 34.

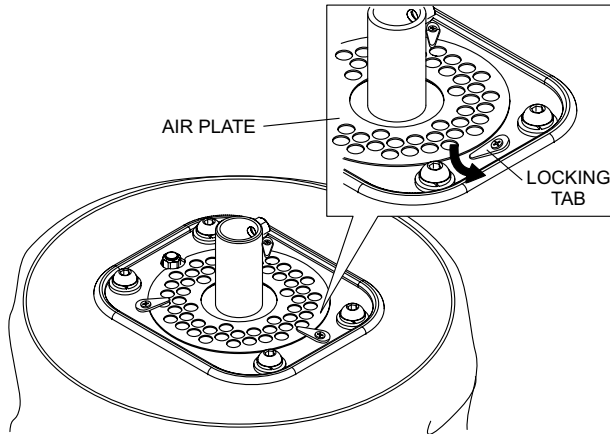


Figure 34. Accessing Filter

3. Turn the three locking tabs outwards to release the air plate. See Figure 34.
4. Remove the air plate and filter. See Figure 35.

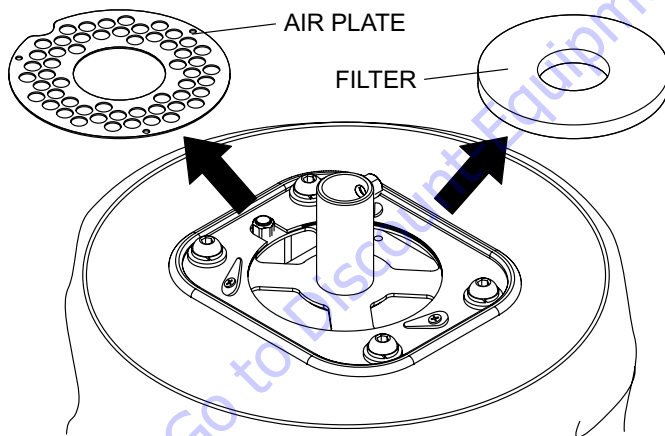


Figure 35. Filter Removal

5. Install a new filter and reinstall the air plate.

6. Turn the three locking tabs inwards to lock the air plate in place. See Figure 36.

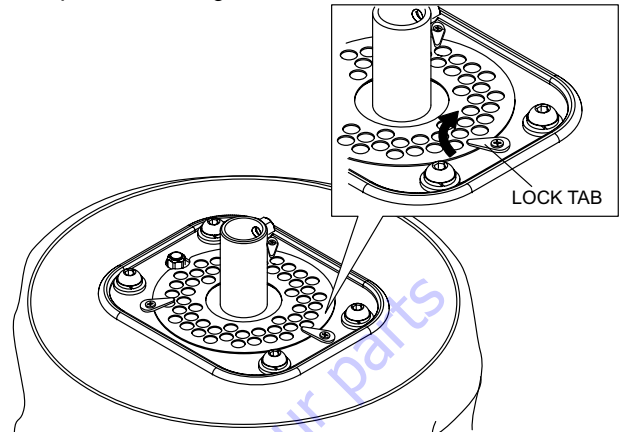


Figure 36. Locking Air Plate

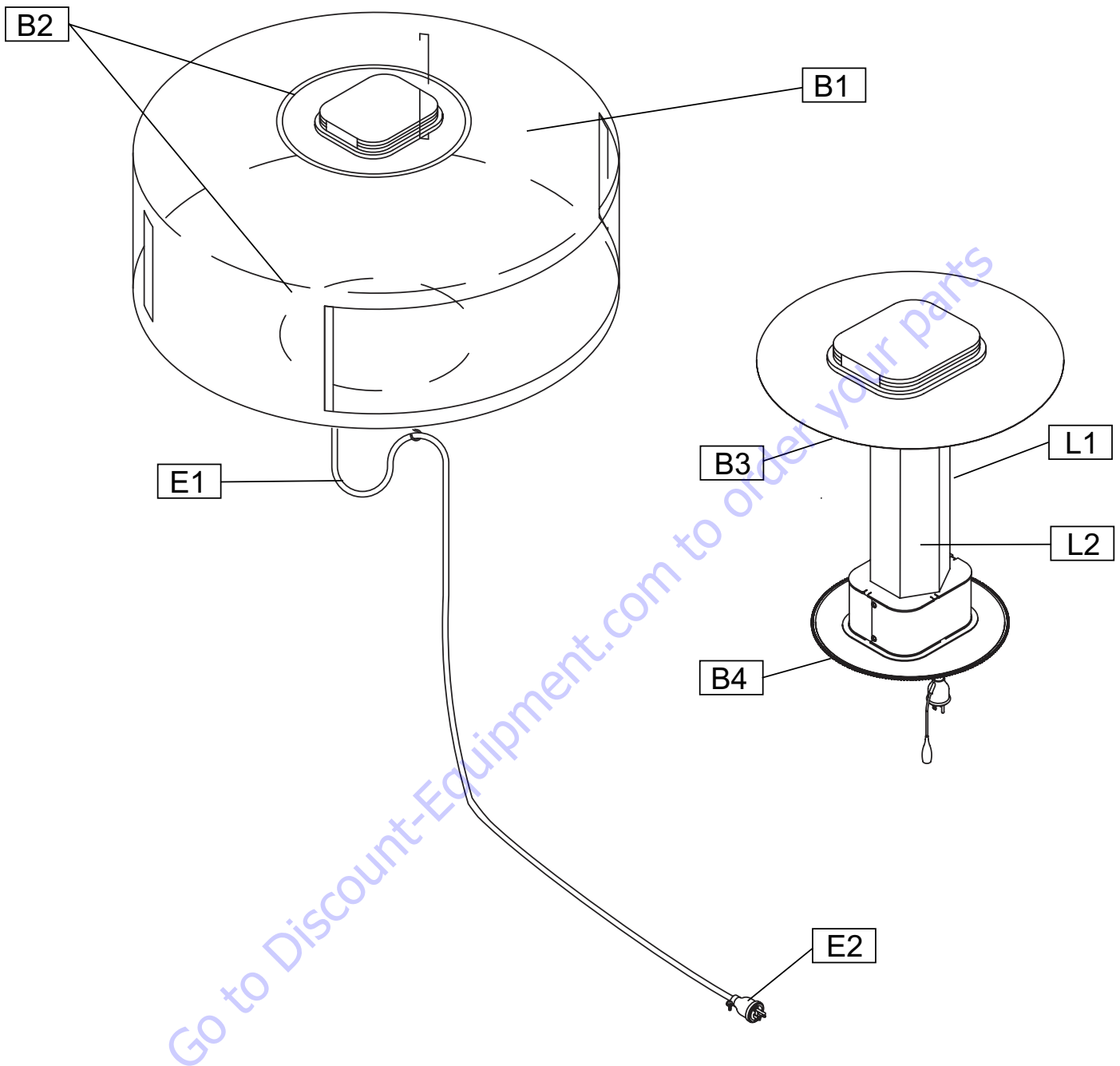


Figure 37. Maintenance Check Points

Table 4. Periodic Check and Maintenance

Figure		Part	Check Item	Solution	Symbol
Lamp	L1	Lamp Guard	Dirty, rusty or damaged?	Clean/Replace	◇
	L2	LED Lamp	Defective or broken?	Replace	●
Balloon	B1	Balloon (Envelope)	Ripped or dirty?	Replace	●
	B2	Zipper	Broken?	Replace	●
	B3	Fan Motor (Blower)	Not working properly?	Replace	□
	B4	T-Handle bolt (Balloon)	Broken?	Replace	●
Electric	E1	Power Cable	Defective or worn cable?	Replace.	●
	E2	Plug	Damaged?	Replace	■
● - Daily Check ■ - Every 20 Hours □ - Every 100 Hours ◇ - Every 500 Hours					

WIRING DIAGRAM

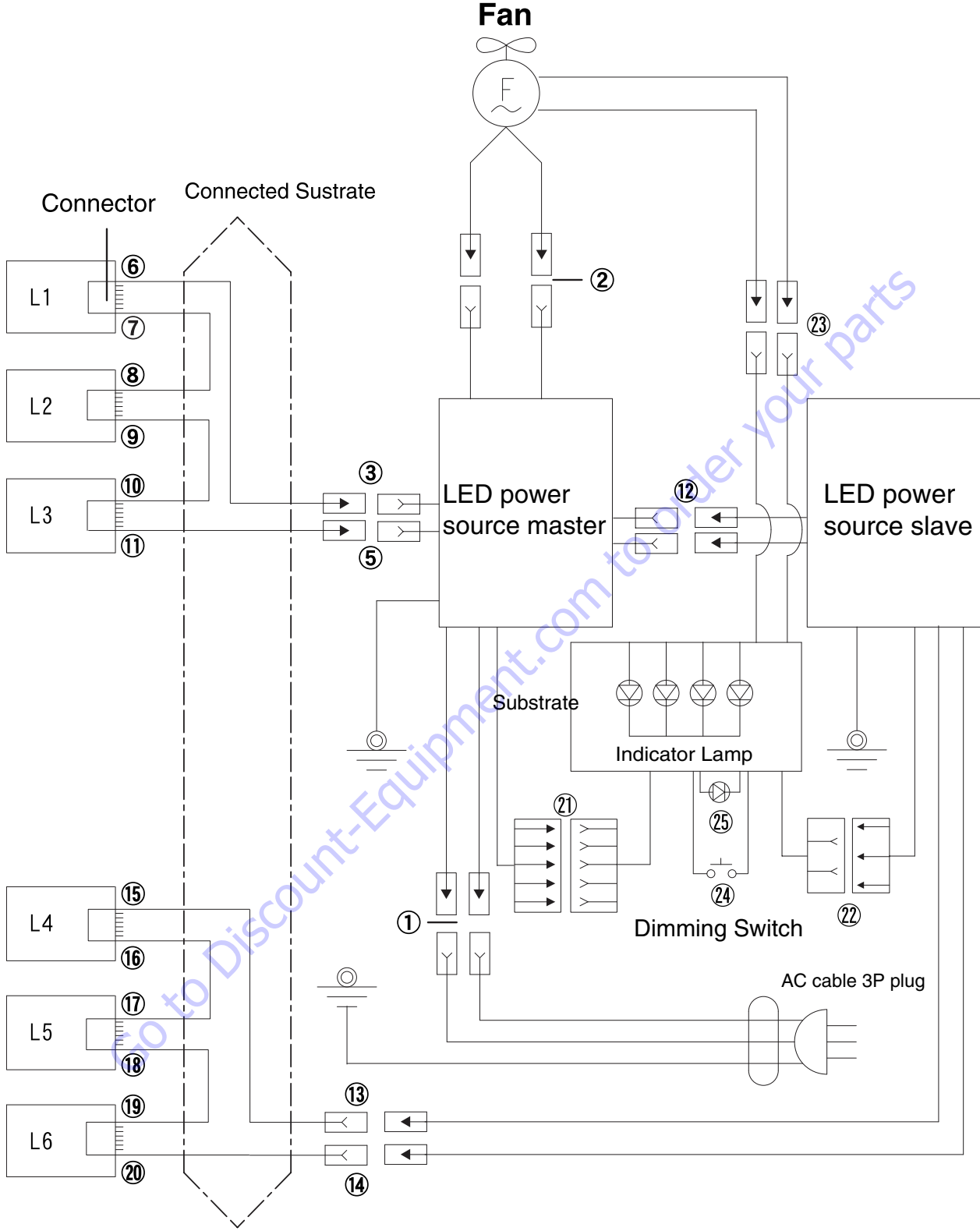
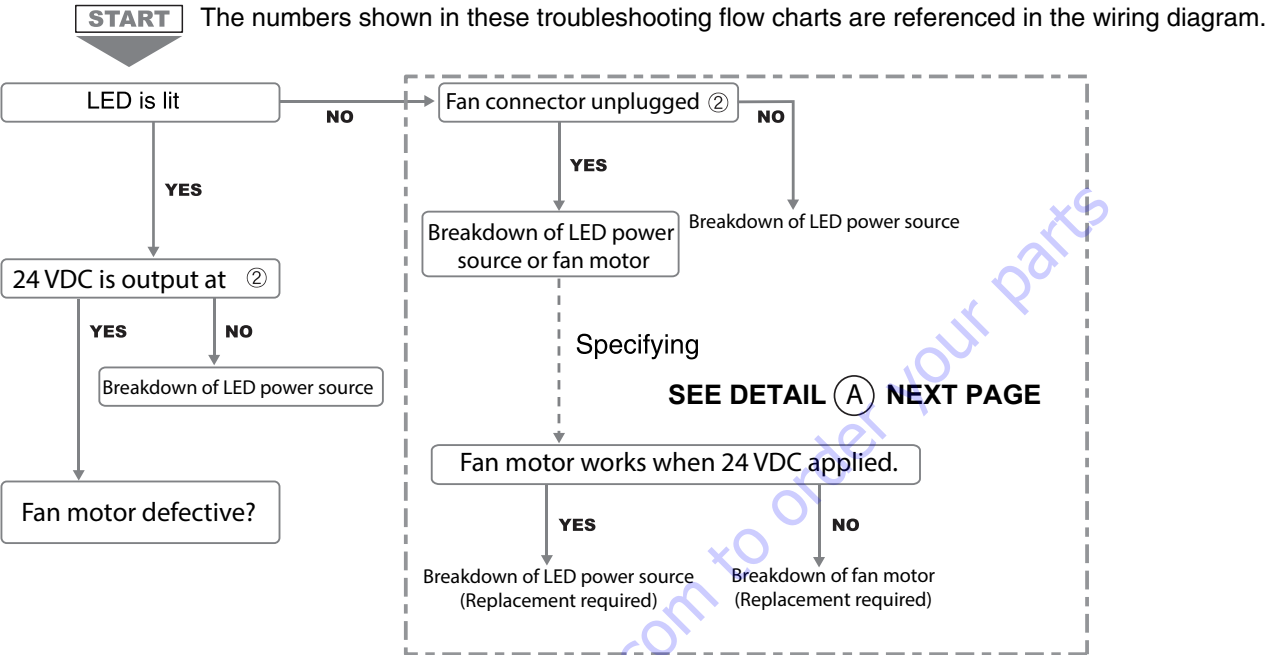


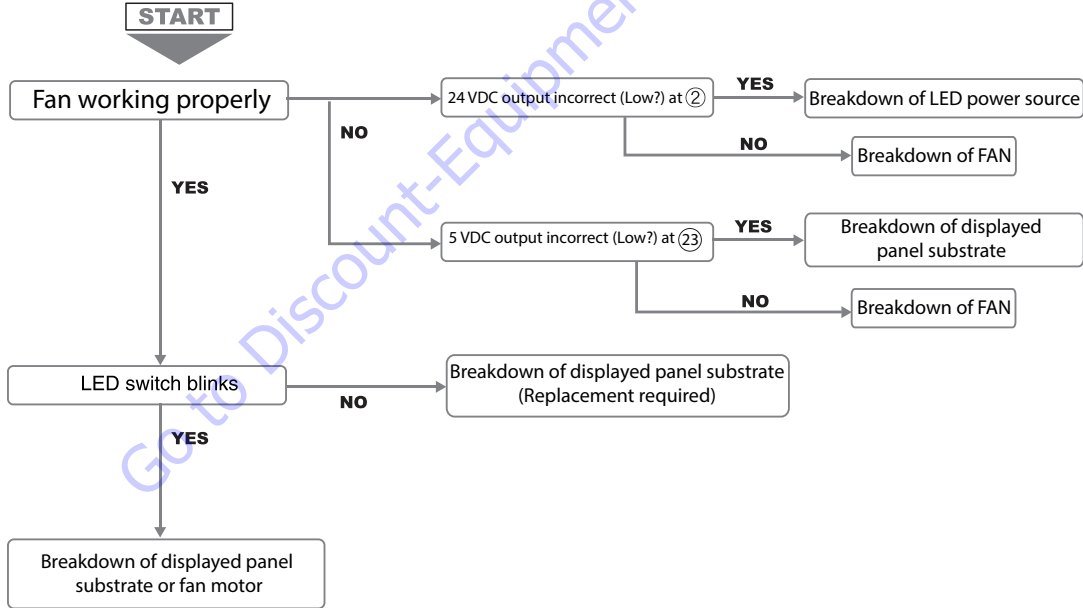
Figure 38. Electrical Wiring Diagram

Fan's Performance Impairment

Fan is not working

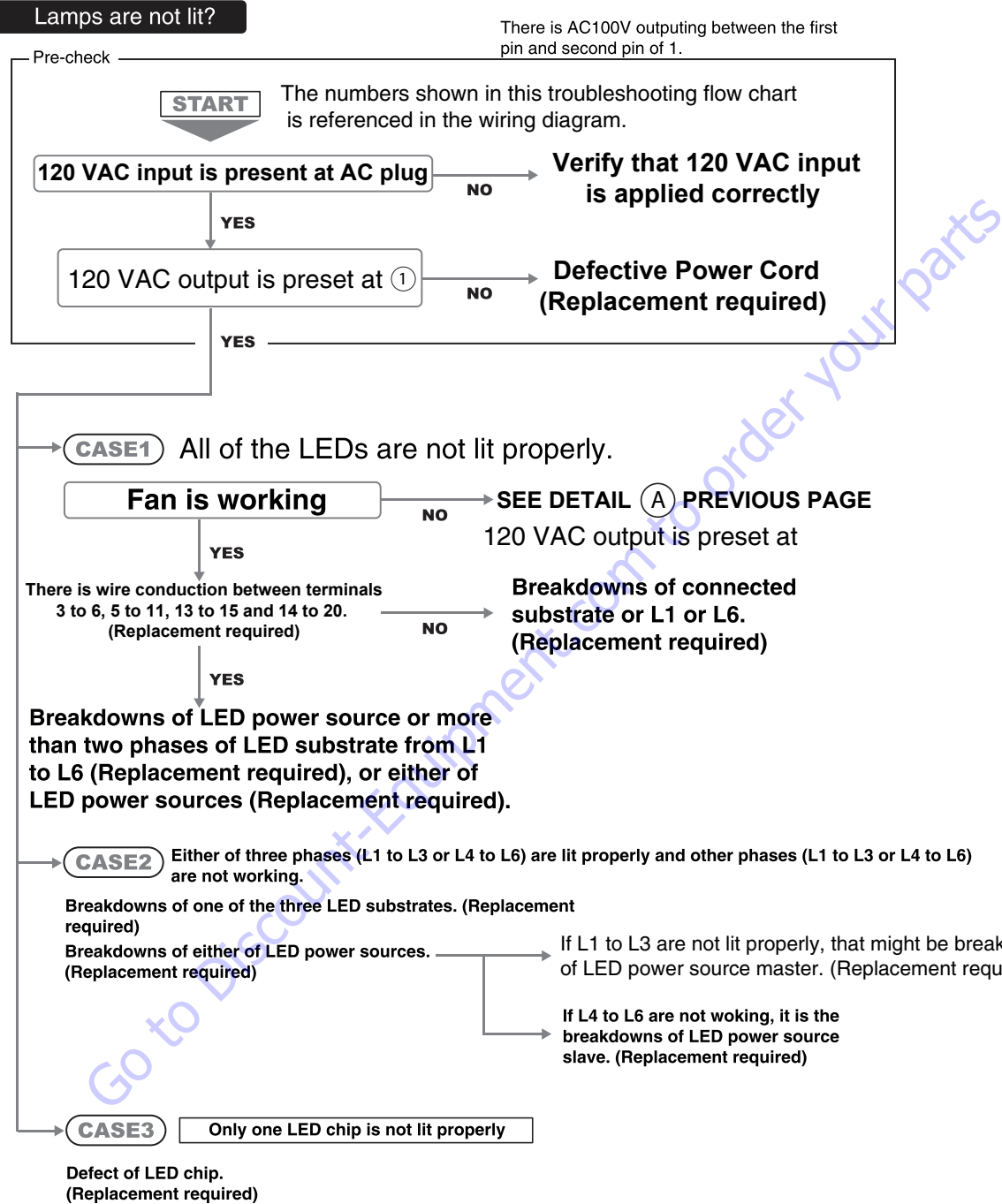


Silent mode not working?



Lamp's Performance Impairment

© Use the power source which none of machineries are plugged in.



Insufficient Air Inside Balloon

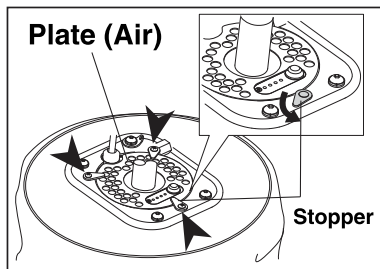
© Confirm the fan is working properly.

Balloon not inflated

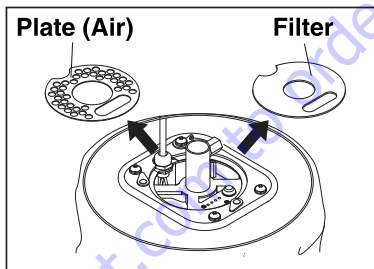
- 1 Zipper is open → Close the zipper properly.
- 2 Balloon cloth is torn. → Repair or replace balloon cloth.
- 3 The filter is clogged up → Clean or replace filter.
- 4 Silent mode → Hold down ON switch to set to normal mode.

How to clean the filter

■ Remove the filter.

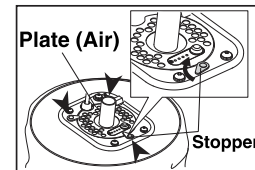


Use three stoppers to hold the plate.



Remove the plate and filter.

When installing.



Install the plate and filter in reverse order of when removing them.

■ Simple cleaning

- Beat the dust out of the filter.



- Use a vacuum cleaner to remove dust and debris.



■ Washing

- Use mild detergent.
- Use a laundry bag when filter is placed in a washing machine.
- After washing, dry filter completely before reinstalling. If filter is not completely dry, it will not work properly. In cold weather conditions, filter could freeze. If filter is frozen, replace with a new one.

If debris or other substances are firmly stuck to the filter, replace filter.

TROUBLESHOOTING

Troubleshooting		
Symptom	Possible Problem	Solution
Lamp does not light.	Is power plug connected?	Plug in correctly.
	Is generator's main CB turned off?	Turn on CB.
	Are any wire cables disconnected?	Connect disconnected wire cable.
	Are any other electric appliances (other than light tower) plugged into power source?	Unplug all other appliances.
	Is generator voltage not normal (standby voltage - 120 ± 5 V)?	Use proper voltage.
Balloon is not inflating.	Is zipper unzipped?	Zip balloon completely.
	Is fan motor not properly operating?	Inspect and repair fan motor if necessary.
	Is balloon torn?	Repair balloon.
	Is unit in silent mode?	Cancel silent mode.

Go to Discount-Equipment.com to purchase parts

EXPLANATION OF CODE IN REMARKS COLUMN

The following section explains the different symbols and remarks used in the Parts section of this manual. Use the help numbers found on the back page of the manual if there are any questions.

NOTICE

The contents and part numbers listed in the parts section are subject to change **without notice**. Multiquip does not guarantee the availability of the parts listed.

SAMPLE PARTS LIST

NO.	PART NO.	PART NAME	QTY.	REMARKS
1	12345	BOLT	1	INCLUDES ITEMS W/%
2%		WASHER, 1/4 IN.		NOT SOLD SEPARATELY
2%	12347	WASHER, 3/8 IN. ...	1	MQ-45T ONLY
3	12348	HOSE	A/R	MAKE LOCALLY
4	12349	BEARING	1	S/N 2345B AND ABOVE

NO. Column

Unique Symbols — All items with same unique symbol (@, #, +, %, or >) in the number column belong to the same assembly or kit, which is indicated by a note in the “Remarks” column.

Duplicate Item Numbers — Duplicate numbers indicate multiple part numbers, which are in effect for the same general item, such as different size saw blade guards in use or a part that has been updated on newer versions of the same machine.

NOTICE

When ordering a part that has more than one item number listed, check the remarks column for help in determining the proper part to order.

PART NO. Column

Numbers Used — Part numbers can be indicated by a number, a blank entry, or TBD.

TBD (To Be Determined) is generally used to show a part that has not been assigned a formal part number at the time of publication.

A blank entry generally indicates that the item is not sold separately or is not sold by Multiquip. Other entries will be clarified in the “Remarks” Column.

QTY. Column

Numbers Used — Item quantity can be indicated by a number, a blank entry, or A/R.

A/R (As Required) is generally used for hoses or other parts that are sold in bulk and cut to length.

A blank entry generally indicates that the item is not sold separately. Other entries will be clarified in the “Remarks” Column.

REMARKS Column

Some of the most common notes found in the “Remarks” Column are listed below. Other additional notes needed to describe the item can also be shown.

Assembly/Kit — All items on the parts list with the same unique symbol will be included when this item is purchased.

Indicated by:

“INCLUDES ITEMS W/(unique symbol)”

Serial Number Break — Used to list an effective serial number range where a particular part is used.

Indicated by:

“S/N XXXXX AND BELOW”

“S/N XXXX AND ABOVE”

“S/N XXXX TO S/N XXX”

Specific Model Number Use — Indicates that the part is used only with the specific model number or model number variant listed. It can also be used to show a part is NOT used on a specific model or model number variant.

Indicated by:

“XXXXX ONLY”

“NOT USED ON XXXX”

“Make/Obtain Locally” — Indicates that the part can be purchased at any hardware shop or made out of available items. Examples include battery cables, shims, and certain washers and nuts.

“Not Sold Separately” — Indicates that an item cannot be purchased as a separate item and is either part of an assembly/kit that can be purchased, or is not available for sale through Multiquip.

SUGGESTED SPARE PARTS

GBC8LED LIGHTING SYSTEM

1 to 3 units

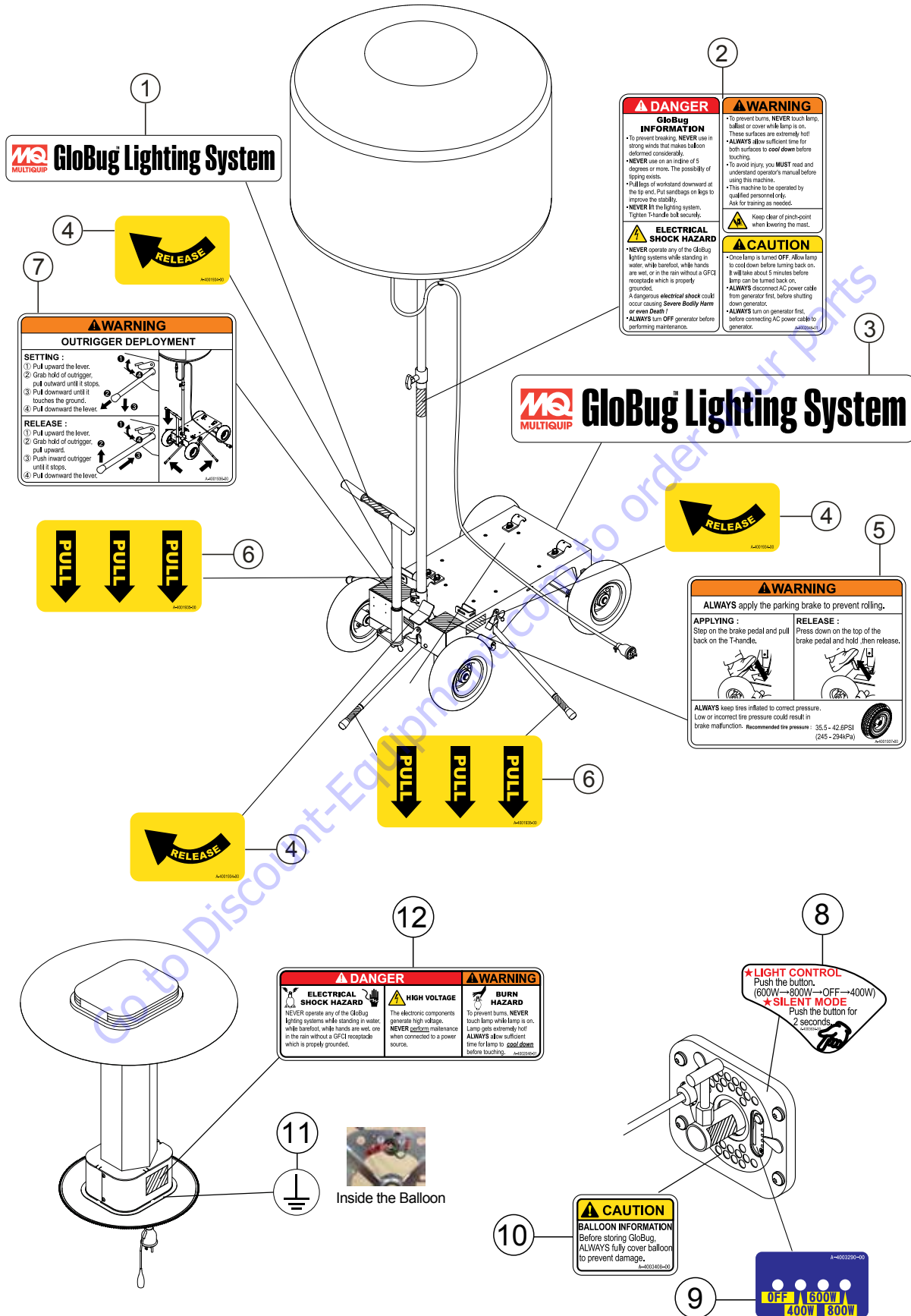
Qty.	P/N	Description
3.....	A300282600.....	LED HEATSINK ASSY
2.....	A100108400.....	BALLOON CLOTH

NOTICE

Part numbers on this Suggested Spare Parts list may supersede/replace the part numbers shown in the following parts lists.

Go to Discount-Equipment.com to order your parts

NAMEPLATE AND DECALS

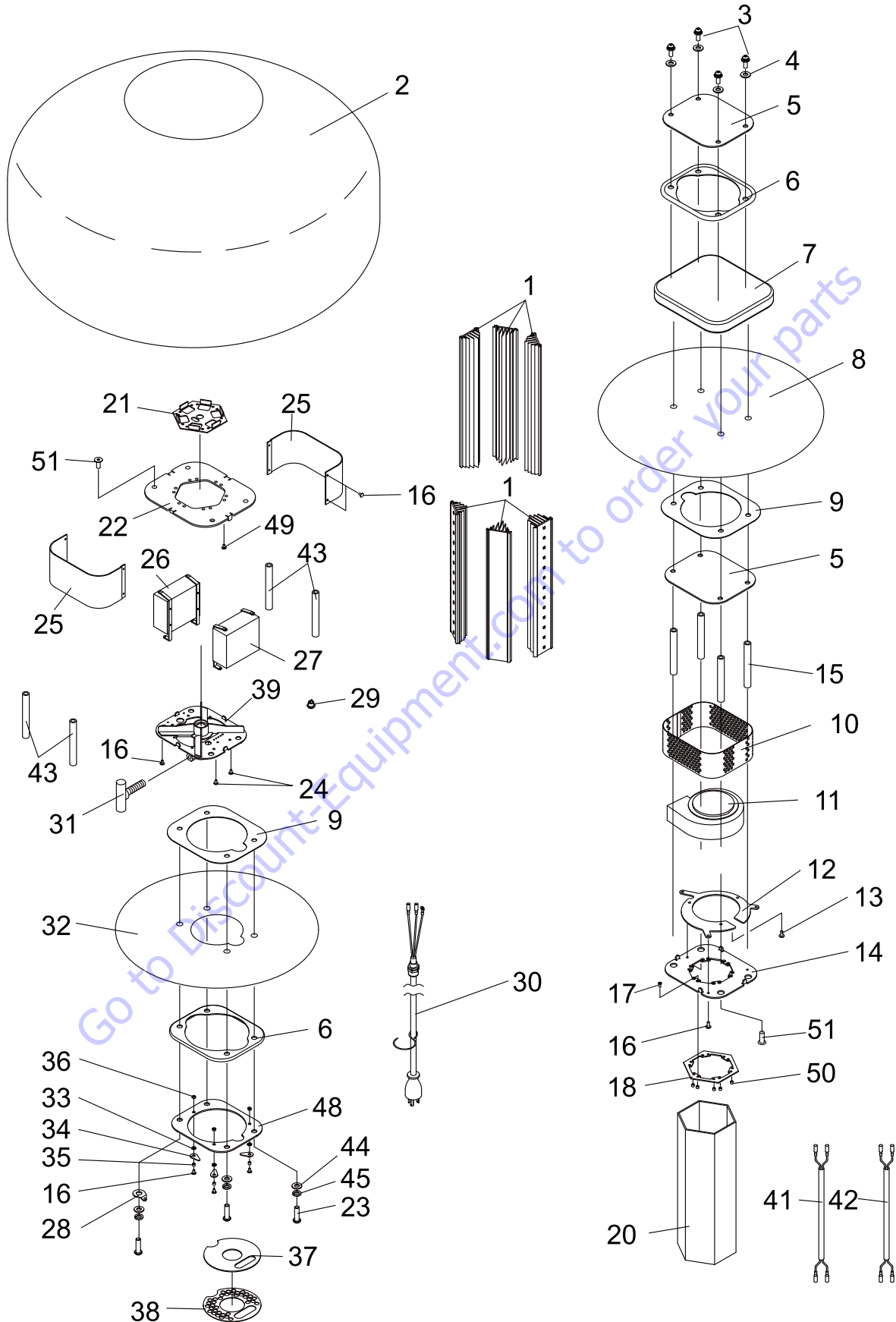


NAMEPLATE AND DECALS

<u>NO.</u>	<u>PART NO.</u>	<u>PART NAME</u>	<u>QTY.</u>	<u>REMARKS</u>
1	A400193300	DECAL; GLOBUG LIGHTING SYSTEM	1	
2	A400324801	DECAL; GLOBUG INFORMATION	1	
3	A400194900	DECAL; GLOBUG LIGHTING SYSTEM	1	
4	A400324500	DECAL; OUTRIGGER, RELEASE	3	
5	A400324000	DECAL; WARNING, PARKING BRAKE/TIRE PRESSURE	1	
6	A400324600	DECAL; OUTRIGGER, PULL	3	
7	A400324700	DECAL; WARNING, OUTRIGGER DEPLOYMENT	1	
8	A400363401	DECAL; LIGHT CONTROL	1	
9	A400329000	DECAL; DIMMER SWITCH LEDS	1	
10	A400340800	DECAL; DANGER, BALLOON INFORMATION	1	
11	A400084300	DECAL; GROUND	1	
12	A400204801	DECAL; ELECTRIC SHOCK, HIGH VOLTAGE, BURN HAZ.	1	

Go to Discount-Equipment.com to order your parts

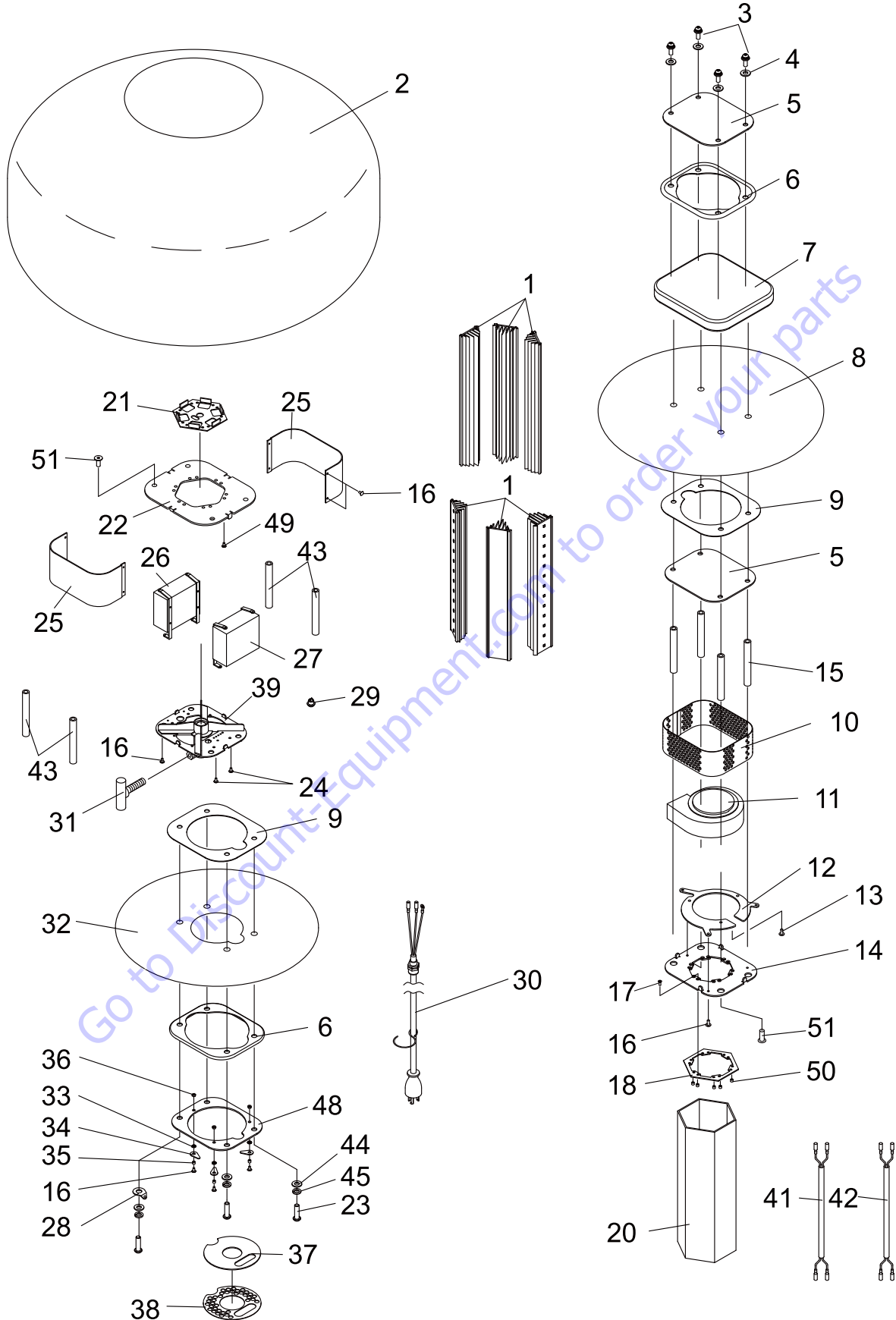
BALLOON AND LAMP ASSY



BALLOON AND LAMP ASSY

<u>NO.</u>	<u>PART NO.</u>	<u>PART NAME</u>	<u>QTY.</u>	<u>REMARKS</u>
1	A300282600	LED HEATSINK ASSY.	6	
2	A100108400	BALLOON, CLOTH	1	
3	0014708025	BUTTON SCREW, M8X25	4	
4	E000132100	SUS OPG BONDED WASHER	4	
5	A300257000	PLATE, TOP	2	
6	A300162400	SEAL, PACKING	2	
7	A100107700	BALLOON COVER, BLACK	1	
8	A100101200	SHEET, TOP	1	
9	2214500230	SEAL, FLAT	2	
10	A300274701	VESSEL, TOP	1	
11	A300280600	FAN MOTOR ASSY.	1	
12	A300281401	PLATE, FAN	1	
13	0023204006	SCREW, M4X6	3	
14	A300247701	PLATE, LAMP TOP	1	
15	A400317400	SPACER A	4	
16	0024304008	TRUSS SCREW, M4X8	15	
17	0023204012	COUNTERSUNK SCREW, M4X12	12	
18	A400295300	STOPPER, GUARD	1	
20	A300243602	GUARD, LED	1	
21	A300282500	ADAPTER, BOARD	1	
22	A300290400	PLATE, LAMP	1	
23	0014708035	BUTTON SCREW, M8X35	4	
24	0023203005	SCREW, M3X5	2	
25	A300291200	VESSEL	2	
26	A300269000	LED POWER SUPPLY, MASTER	1	
27	A300269100	LED POWER SUPPLY, SLAVE	1	
28	2204510110	WASHER	1	
29	A400329900	DIMMING SWITCH	1	
30	A300181901	POWER CABLE	1	
31	A400209801	BALLOON KNOB	1	
32	A100097600	SHEET, BOTTOM	1	
33	E000119300	WAVE WASHER, M6	3	
34	A400030700	STOPPER, FILTER	3	
35	E000077500	SPACER	3	
36	0033104000	NUT, M4	5	
37	A400273800	FILTER	1	
38	A300244600	PLATE, AIR	1	
39	A200105100	FLANGE, LED	1	

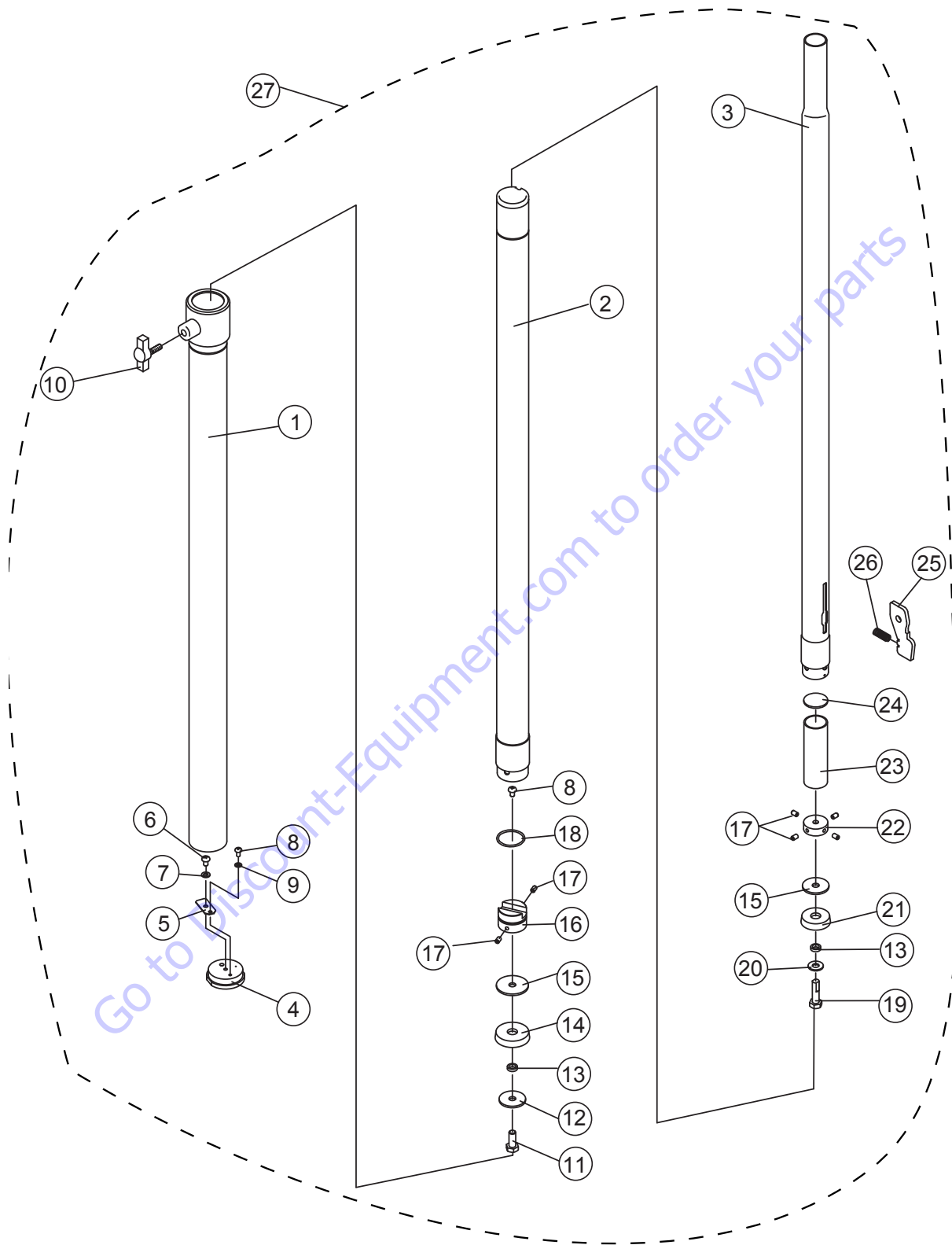
BALLOON AND LAMP ASSY



BALLOON AND LAMP ASSY

<u>NO.</u>	<u>PART NO.</u>	<u>PART NAME</u>	<u>QTY.</u>	<u>REMARKS</u>
41	A400305001	WIRE, FAN	1	
42	A400331100	WIRE, FAN (VC)	1	
43	A400311400	SPACER B	4	
44	0043108000	WASHER, M8	4	
45	030208200	WASHER, LOCK M8.....	4.....	REPLACES P/N 0043208000
48	A300256700	PLATE, BOTTOM	1	
49	0023304015	SCREW AND WASHER, M4X15	12	
50	E000122300	SPACER	12	
51	E000119600	BOLT, M8X20	8	

Go to Discount-Equipment.com to order your parts

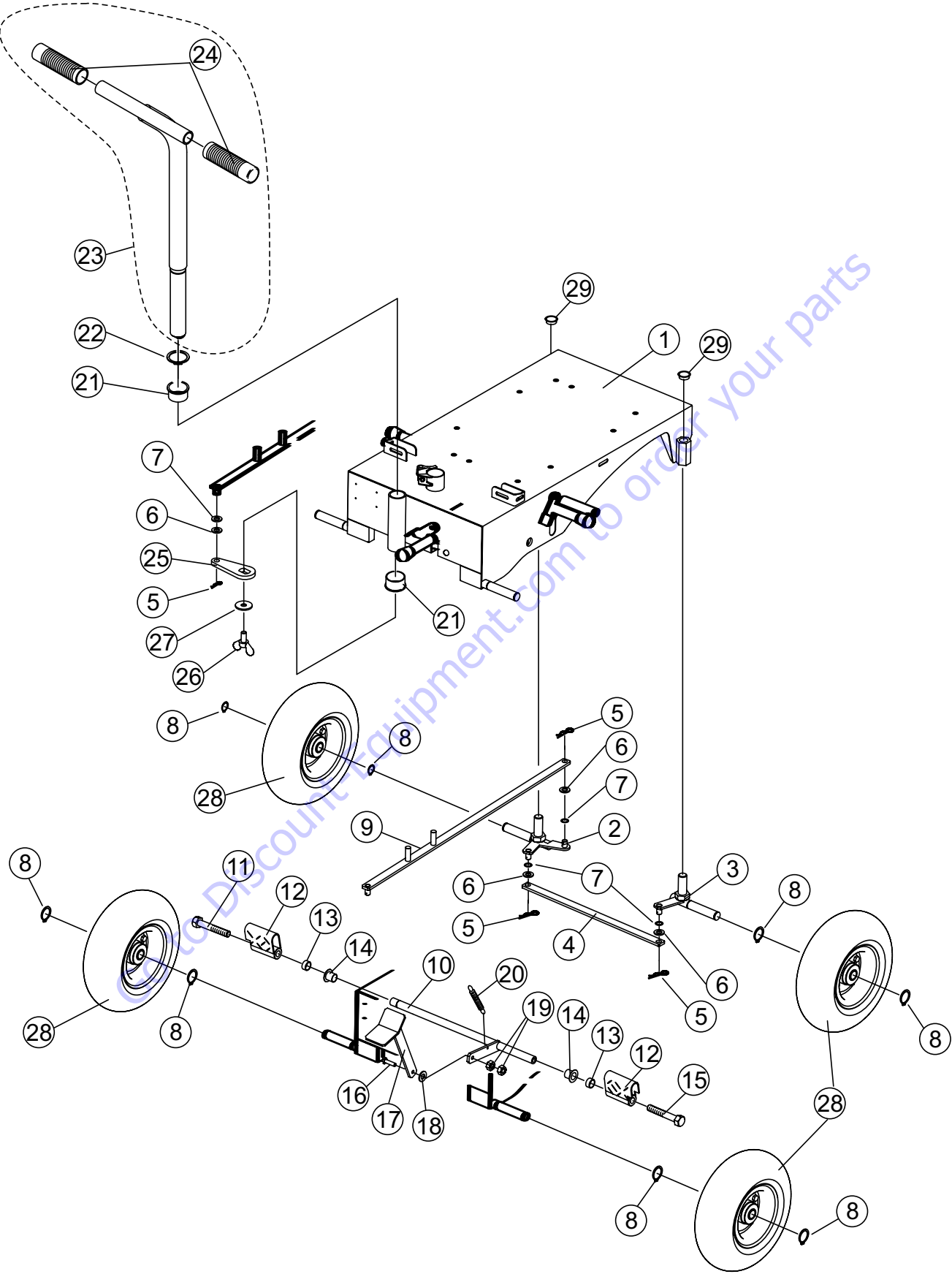


MAST ASSY

<u>NO.</u>	<u>PART NO.</u>	<u>PART NAME</u>	<u>QTY.</u>	<u>REMARKS</u>
1\$	A300175400	FIRST MAST	1	
2\$	A300175500	SECOND MAST	1	
3\$	A300175600	THIRD MAST	1	
4\$	A400199700	PLUG	1	
5\$	A400112700	LEAF VALVE	1	
6\$	0023104008	SCREW, M4X8	1	
7\$	0043104000	WASHER, M4	1	
8\$	0023105008	SCREW, M5X8	2	
9\$	0043105000	WASHER, M5	1	
10\$	A400187600	KNOB	1	
11\$	0013108020	BOLT, M8X20	1	
12\$	A400200500	WASHER	1	
13\$	A400110200	WASHER, MAST 1	2	
14\$	A400200700	RUBBER, MAST	1	
15\$	A400092801	WASHER, SECOND MAST	2	
16\$	A400200800	BOTTOM PLATE	1	
17\$	0024705008	SET SCREW, M5X8	6	
18\$	E000081200	O-RING	1	
19\$	A400202700	BOLT	1	
20\$	0043108000	WASHER, M8	1	
21\$	A400109600	RUBBER, MAST 1	1	
22\$	A400092402	BOTTOM PLATE 1	1	
23\$	A400200300	PIPE, LEVER	1	
24\$	A400200400	WASHER	1	
25\$	A400200201	LEVER, HOOK	1	
26\$	A400195700	SPRING, HOOK	1	
27	A000028700	MAST, ASSY.....	1.....	INCLUDES ITEMS W/ \$

Go to Discount-Equipment.com to order your parts

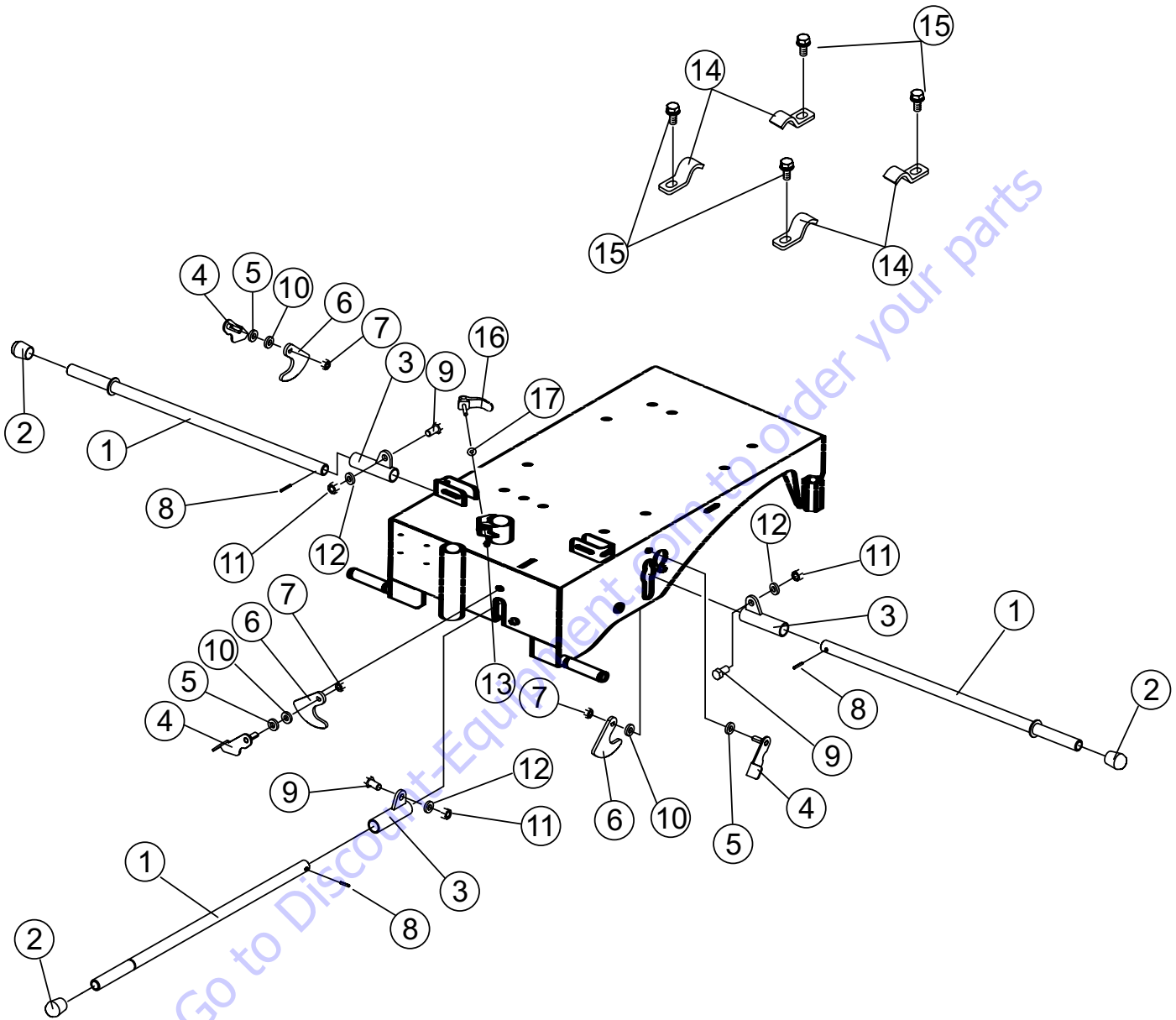
BASE ASSY



BASE ASSY

<u>NO.</u>	<u>PART NO.</u>	<u>PART NAME</u>	<u>QTY.</u>	<u>REMARKS</u>
1	A100064700	BASE PLATE	1	
2	A300147201	FRONT SHAFT, L	1	
3	A300147301	FRONT SHAFT, R	1	
4	A300056800	LINK, FRONT SHAFT	1	
5	0053512000	PIN, (12)	4	
6	0043112000	WASHER, M12	4	
7	1504120130	WASHER, 12.2DX18DX0.5T	4	
8	0040720000	SNAP RING, 20	8	
9	A300137101	STEERING LINK	1	
10	A300150900	BRAKE SHAFT	1	
11	1521120131	BOLT, M12X75 LEFT SCREW	1	
12	2071214010	BRAKE	2	
13	A400189601	SPACER, BRAKE	2	
14	1503180130	SLEEVE BEARING, 18DX20DX20	2	
15	0013212075	BOLT, M12X75	1	
16	011208030	BOLT, M8X30 SUS.....	1	REPLACES P/N 0010308030
17	2001200313	BRAKE PEDAL	1	
18	0043108000	WASHER, M8	1	
19	0033108000	NUT, M8	2	
20	1041000131	SPRING, BRAKE	1	
21	1503300130	SLEEVE BEARING, 30DX34DX20	2	
22	0040730000	SNAP RING	1	
23	A200023001	HANDLE	1	INCLUDES ITEMS W/ \$
24\$	1102700130	HANDLE GRIP	2	
25	A400176500	LINK, HANDLE	1	
26	0014212025	WING BOLT, M12X25	1	
27	0043112041	WASHER, 12DX40DX3.2T	1	
28	E000014500	TIRE ASSY., 4.10/3.50-5	4	
29	1652000430	CAP	2	

OUTRIGGER ASSY



OUTRIGGER ASSY

<u>NO.</u>	<u>PART NO.</u>	<u>PART NAME</u>	<u>QTY.</u>	<u>REMARKS</u>
1	A300162202	OUTRIGGER	3	
2	E000149500	RUBBER FOOT	3	REPLACES P/N 1641001430
3	A400175302	HOLDER, OUT, R	3	
4	A400176901	LEVER, OUT, R	3	
5	A400114401	WASHER	3	
6	A300147802	WEIGHT, OUT, R	3	
7	0033210000	SELF LOCK NUT, M10	3	
8	0053304025	SPRING PIN, M4x25	3	
9	0013112030	BOLT, M12x30	3	
10	0043110000	WASHER, M10	3	
11	0033212000	SELF LOCK NUT, M12	3	
12	0043112000	WASHER, M12	3	
13	0033206000	SELF LOCK NUT, M6	1	
14	A400166400	LOCKING CLAMP	4	
15	0013510025	BOLT AND WASHER, M10x25	4	
16	2212780310	LEVER	1	
17	0043108000	WASHER, M8	1	

PARTS FINDER

**Search Website
by Part Number**



**Search Manual
Library For Parts
Manual & Lookup Part
Numbers – Purchase
or Request Quote**

Search Manuals

Enter the information below to search our manual library for parts.

* Brand:

* Model:

* Serial:

* Part Number:

SEARCH

**Can't Find Part or
Manual? Request Help
by Manufacturer,
Model & Description**

Parts Order Form

Please fill in the information below to request help finding a part or manual.

MANUFACTURER:

MODEL:

DESCRIPTION:

SEARCH

Discount-Equipment.com is your online resource for quality parts & equipment.

Florida: **561-964-4949** Outside Florida TOLL FREE: **877-690-3101**

Need parts?

Click on this link: <http://www.discount-equipment.com/category/5443-parts/> and choose one of the options to help get the right parts and equipment you are looking for. Please have the machine model and serial number available in order to help us get you the correct parts. If you don't find the part on the website or on one of the online manuals, please fill out the request form and one of our experienced staff members will get back to you with a quote for the right part that your machine needs.

We sell worldwide for the brands: Genie, Terex, JLG, MultiQuip, Mikasa, Essick, Whiteman, Mayco, Toro Stone, Diamond Products, Generac Magnum, Airman, Haulotte, Barreto, Power Blanket, Nifty Lift, Atlas Copco, Chicago Pneumatic, Allmand, Miller Curber, Skyjack, Lull, Skytrak, Tsurumi, Husquvarna Target, , Stow, Wacker, Sakai, Mi-T- M, Sullair, Basic, Dynapac, MBW, Weber, Bartell, Bennar Newman, Haulotte, Ditch Runner, Menegotti, Morrison, Contec, Buddy, Crown, Edco, Wyco, Bomag, Laymor, Barreto, EZ Trench, Bil-Jax, F.S. Curtis, Gehl Pavers, Heli, Honda, ICS/PowerGrit, IHI, Partner, Imer, Clipper, MMD, Koshin, Rice, CH&E, General Equipment, ,AMida, Coleman, NAC, Gradall, Square Shooter, Kent, Stanley, Tamco, Toku, Hatz, Kohler, Robin, Wisconsin, Northrock, Oztec, Toker TK, Rol-Air, Small Line, Wanco, Yanmar