

# OPERATION AND PARTS MANUAL



[www.Discount-Equipment.com](http://www.Discount-Equipment.com)

## GloBug SERIES

### **GB3LED (Tripod with Lamp)**

***SERIAL NO. G3200105 AND ABOVE***

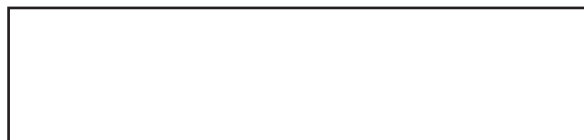
### **GB3LEDB (Lamp Only)**

***SERIAL NO. G3300046 AND ABOVE***

Revision #2 (10/02/19)



c



**THIS MANUAL MUST ACCOMPANY THE EQUIPMENT AT ALL TIMES.**

**TO PURCHASE THIS PRODUCT PLEASE CONTACT US**



**Equipment Financing and  
Extended Warranties Available**



**Discount-Equipment.com is your online resource for  
commercial and industrial quality parts and equipment sales.**

**561-964-4949**

**visit us on line @ [www.discount-equipment.com](http://www.discount-equipment.com)**

Select an option below to find your Equipment

**Search by Manufacturer**

**Search by Product Type**

**Request a Quote**

We sell worldwide for the brands: Genie, Terex, JLG, MultiQuip, Mikasa, Essick, Whiteman, Mayco, Toro Stone, Diamond Products, Generac Magnum, Airman, Haulotte, Barreto, Power Blanket, Nifty Lift, Atlas Copco, Chicago Pneumatic, Allmand, Miller Curber, Skyjack, Lull, Skytrak, Tsurumi, Husquvarna Target, Stow, Wacker, Sakai, Mi-T-M, Sullair, Basic, Dynapac, MBW, Weber, Bartell, Bennar Newman, Haulotte, Ditch Runner, Menegotti, Morrison, Contec, Buddy, Crown, Edco, Wyco, Bomag, Laymor, EZ Trench, Bil-Jax, F.S. Curtis, Gehl Pavers, Heli, Honda, ICS/PowerGrit, IHI, Partner, Imer, Clipper, MMD, Koshin, Rice, CH&E, General Equipment, Amida, Coleman, NAC, Gradall, Square Shooter, Kent, Stanley, Tamco, Toku, Hatz, Kohler, Robin, Wisconsin, Northrock, Oztec, Toker TK, Rol-Air, APT, Wylie, Ingersoll Rand / Doosan, Innovatech, Con X, Ammann, Mecalac, Makinex, Smith Surface Prep, Small Line, Wanco, Yanmar

# TABLE OF CONTENTS

## GB3LED/B Lighting System

Table of Contents.....	3
Safety Information .....	4–7
Specifications .....	8
Dimensions.....	9
Illumination Range.....	10
General Information.....	11
Components .....	12–13
Setup .....	14–16
Operation.....	17–19
Maintenance .....	20–23
Wiring Diagram.....	24
Troubleshooting .....	25
Explanation of Code in Remarks Column.....	26
Suggested Spare Parts .....	27

## Component Drawings

Nameplate and Decals .....	28–29
Electrical Assembly (S/N G3200105–G3200282).....	30–31
Electrical Assembly (S/N G4200001 and Above) .....	32–33
Tripod Assembly .....	34–35
Mast Assembly .....	36–37

### NOTICE

Specifications and part numbers are subject to change without notice.

# SAFETY INFORMATION


Do not operate or service the equipment before reading the entire manual. Safety precautions should be followed at all times when operating this equipment. Failure to read and understand the safety messages and operating instructions could result in injury to yourself and others.




## SAFETY MESSAGES

The four safety messages shown below will inform you about potential hazards that could injure you or others. The safety messages specifically address the level of exposure to the operator and are preceded by one of four words: **DANGER**, **WARNING**, **CAUTION** or **NOTICE**.


## SAFETY SYMBOLS

 **DANGER**

Indicates a hazardous situation which, if not avoided, **WILL** result in **DEATH** or **SERIOUS INJURY**.

 **WARNING**

Indicates a hazardous situation which, if not avoided, **COULD** result in **DEATH** or **SERIOUS INJURY**.



 **CAUTION**

Indicates a hazardous situation which, if not avoided, **COULD** result in **MINOR** or **MODERATE INJURY**.

**NOTICE**

Addresses practices not related to personal injury.

Potential hazards associated with the operation of this equipment will be referenced with hazard symbols which may appear throughout this manual in conjunction with safety messages.

Symbol	Safety Hazard
	Burn hazards
	Electric shock hazards

# SAFETY INFORMATION

## GENERAL SAFETY

### CAUTION

- **NEVER** operate this equipment without proper protective clothing, shatterproof glasses, respiratory protection, hearing protection, steel-toed boots and other protective devices required by the job or city and state regulations.



- **NEVER** operate this equipment when not feeling well due to fatigue, illness or when under medication.



- **NEVER** operate this equipment under the influence of drugs or alcohol.



- **ALWAYS** check the equipment for loosened threads or bolts before starting.

- **DO NOT** use the equipment for any purpose other than its intended purposes or applications.

### NOTICE

- This equipment should only be operated by trained and qualified personnel 18 years of age and older.
- Whenever necessary, replace nameplate, operation and safety decals when they become difficult read.
- Manufacturer does not assume responsibility for any accident due to equipment modifications. Unauthorized equipment modification will void all warranties.
- **NEVER** use accessories or attachments that are not recommended by Multiquip for this equipment. Damage to the equipment and/or injury to user may result.
- **ALWAYS** know the location of the nearest fire extinguisher.
- **ALWAYS** know the location of the nearest first aid kit.
- **ALWAYS** know the location of the nearest phone or **keep a phone on the job site**. Also, know the phone numbers of the nearest **ambulance, doctor and fire department**. This information will be invaluable in the case of an emergency.



# SAFETY INFORMATION

## LIGHTING SYSTEM SAFETY

### WARNING

- **NEVER** disconnect any **emergency or safety devices**. These devices are intended for operator safety. Disconnection of these devices can cause **severe injury, bodily harm or even death**. Disconnection of any of these devices will void all warranties.

### CAUTION

- **NEVER** attempt service on a running machine.

### NOTICE

- To prevent the lighting system from overturning, **NEVER** use in winds that exceed 22 mph (10 m/s).
- The lighting system should only be used in temperatures between 23° to 104°F (-5° to 40° C). Failure to comply with these operating parameters could cause the lamp to malfunction and shorten the ballast life.
- **ALWAYS** keep the lighting system in proper running condition.
- Fix damage to lighting system and replace any broken parts immediately.
- **ALWAYS** store equipment properly when it is not being used. Equipment should be stored in a clean, dry location out of the reach of children and unauthorized personnel.

## LAMP SAFETY

### WARNING

- **NEVER** attempt to replace lamp with the power on. Always unplug the power cord from the generator or power source when changing the lamp.
- **ALWAYS** allow a sufficient amount of time for the lamp to **cool** before changing. The possibility exists of severe burns.

### CAUTION

- **NEVER** use force when installing the lamp. Excessive force could cause the lamp to break, causing bodily harm.

### NOTICE

- **NEVER** leave any grease or oil residue on lamp surface when replacing or removing lamp. This can create hot spots, reducing the service life of the lamp.
- **ALWAYS** make sure lamp surface is clean and dry.
- **ALWAYS** replace with MQ recommended type lamp. See parts section of this manual.
- If applicable, **ALWAYS** make sure the lamp guard is installed correctly. **NEVER** deform the lamp guard.
- **NEVER** unplug the lamp's AC power cable during operation.
- **ALWAYS** have a **trained technician** to install and remove lamp or replace any damaged fixture wiring.

## TRANSPORTING SAFETY

### NOTICE

- When transporting the tripod lighting system, if applicable, always place in **stow position** and place tripod in its carrying case.
- **ALWAYS** remove balloon/lamp assembly from the mast when transporting lighting system. This will prevent damage to the bulb due to vibration.
- **NEVER** leave the balloon/lamp exposed during transport. Exposure to excess wind or rain could damage the balloon's nylon cover.
- **ALWAYS** place balloon inside its protective cover during transport. Be sure the cover is secured tightly around the balloon/lamp assembly.

# SAFETY INFORMATION

## BALLOON SAFETY

### WARNING

- To prevent serious burns, **NEVER** touch or unzip the balloon envelope when the lamp is on.



### CAUTION

- **ALWAYS** keep the balloon away from sharp objects and excessive amounts of heat.

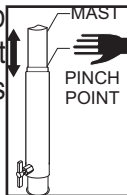
### NOTICE

- To prevent balloon deformation, **NEVER** use lighting system in strong winds.
- **DO NOT** place the balloon inside its protective cover until the lamp has had a sufficient amount of time to cool down. This will prevent the balloon's nylon cover from being burned (touching the lamp surface).
- **ALWAYS** place the balloon inside its protective cover after each use. This will prolong the life of the balloon material, keeping it protected from harsh environmental elements.
- Replace balloon immediately if damaged. A damaged balloon will not inflate properly, and may become more damaged by touching the hot lamp surface.
- **DO NOT** use excessive force when zipping and unzipping the balloon. Be gentle with the zipper mechanism. If the zipper is broken, the balloon will become unusable.

## MAST SAFETY

### CAUTION

- When raising or lowering the mast, keep hands and fingers clear of the various mast sections, this will prevent hands and fingers from getting pinched.
- **NEVER** attach anything to the mast.
- **ALWAYS** lower the mast when not in use, or if high winds or electrical storms are expected in the area.



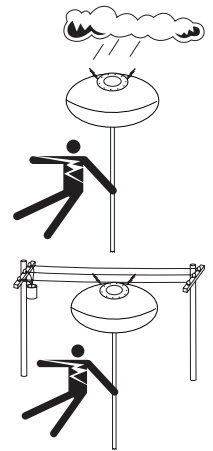
## ELECTRICAL SAFETY

### DANGER

- Lighting system is equipped with a ground pin on the power plug. For your protection, **ALWAYS** complete the grounding path. **NEVER** insert the AC power plug into a 2-prong receptacle to operate lighting system.

When applying power to the lighting system, **ALWAYS** connect the AC power plug to a 3-prong receptacle that is grounded. The possibility exists of **electrical shock, electrocution and even death** if the lighting system is not grounded.

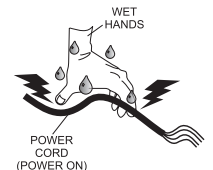
- **NEVER** operate lighting system or handle any electrical equipment while standing in water, while barefoot, while hands are wet or in the rain. A dangerous **electrical shock** could occur, causing **severe bodily harm or even death**.
- **ALWAYS** make sure the area above the lighting system is open and clear of overhead power lines and other obstructions. Contact with overhead power lines or other obstructions could result in equipment damage, **electrical shock, electrocution and even death**.



## Power Cord/Cable Safety

### DANGER

- **NEVER** let power cords or cables **lay in water**.
- **NEVER** use **damaged** or **worn** cables or cords. Inspect for cuts in the insulation
- **NEVER** grab or touch a live power cord or cable with wet hands. The possibility exists of **electrical shock, electrocution or death**.
- Make sure power cables are securely connected. Incorrect connections may cause **electrical shock** and damage to the lighting system.



### NOTICE

- **ALWAYS** make certain that proper power or extension cord has been selected for the job. See Cable Selection Chart in this manual.

# SPECIFICATIONS

**Table 1. Specifications**

<b>Globug Lighting System</b>			
<b>Model</b>	GB3LED (S/N G3200105 -G4200000)	GB3LED (S/N G4200001 and ABOVE)	
Input Voltage	120 VAC	120 VAC <sup>1</sup> ; 12, 24, 48 VDC <sup>2</sup>	
Frequency	50 Hz/ 60 Hz	50 Hz/ 60 Hz	
Max. Current	2.7 Amps (120 V @300 W)	2.7 Amps (120V @300W)	
<b>Weight</b>	Lamp Fixture	18.74 lb (8.5 kg)	18.74 lb (8.5 kg)
	Mast	4.85 lb (2.2 kg)	4.85 lb (2.2 kg)
	Tripod	12.13 lb (5.5 kg)	12.13 lb (5.5 kg)
	Balloon Cover	1.32 lb (0.6 kg)	1.32 lb (0.6 kg)
	Cable	1.54 lb (0.7 kg)	1.54 lb (0.7 kg)
	<b>Total</b>	<b>38.58 lb (17.5 kg)</b>	<b>38.58 lb (17.5 kg)</b>
Appropriate Generator	350 W and above	350 W and above	
<b>Lamp</b>			
Lamp Type	LED	LED	
Dimming Control	3 stages: 300W / 200W / 100W	3 stages: 300W / 200W / 100W <sup>3</sup>	
Total Luminous Flux (lm)	40000 ±7% @300 W	40000 ±7% @300 W	
	28000 ±7% @200W	30000 ±7% @200W	
	16000 ±7% @100W	16000 ±7% @100W	
Operation_Enabled Temperature Range	14 to 104°F (-10 to 40 °C)	14 to 104°F (-10 to 40 °C)	
<b>Mast</b>			
Number of Stages	2 (with gas assist)	2 (with gas assist)	
Maximum Height (Standard)	12.5 feet (3.8 meters)	12.5 feet (3.8 meters)	

<sup>1</sup> - 90 to 240V are available by changing the appropriate power cable.

<sup>2</sup> - If cigarette plug cable (option) is used

<sup>3</sup> - Automatically adjusts to 100 W for DC12V and DC24V Operation



# DIMENSIONS

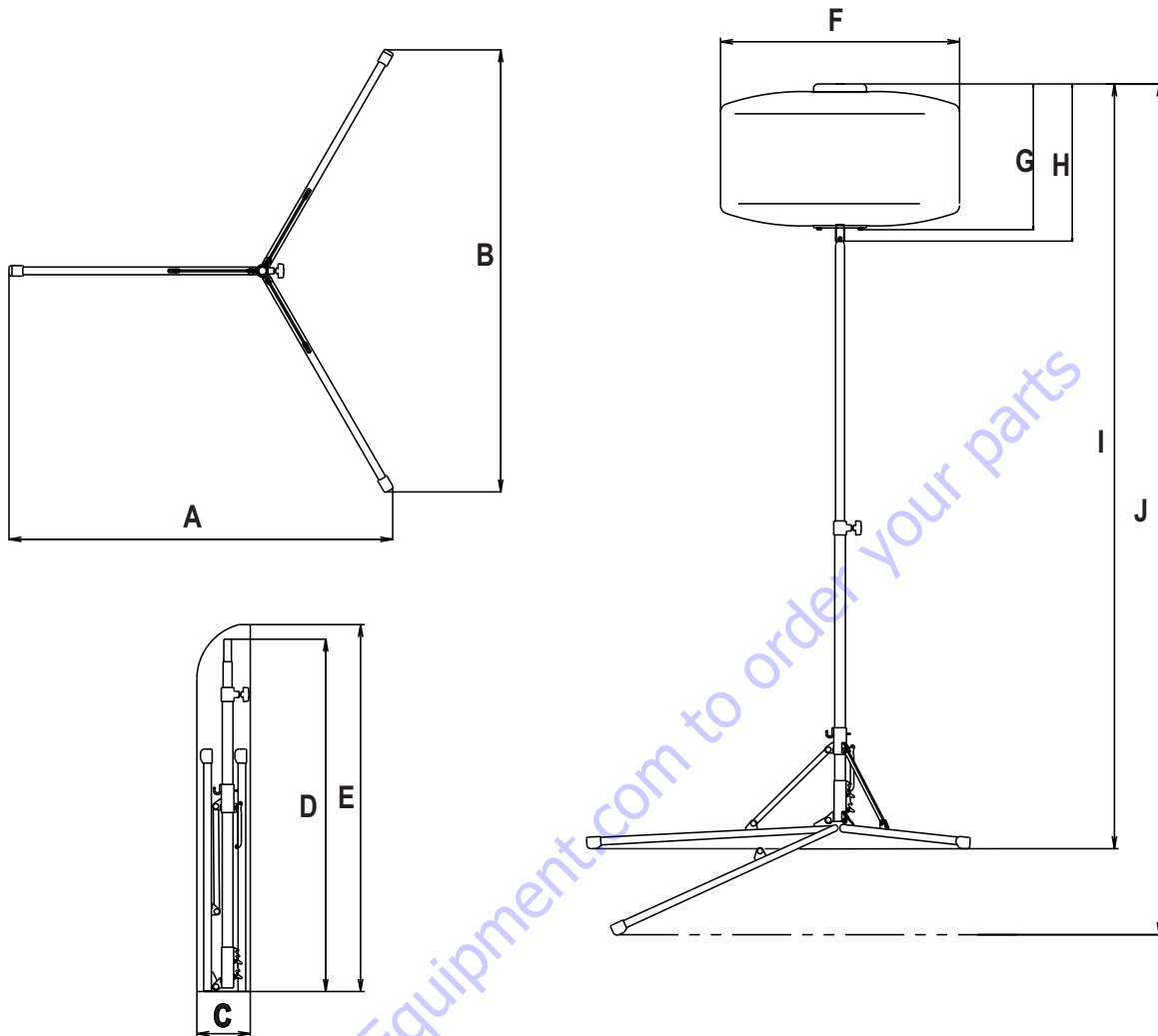
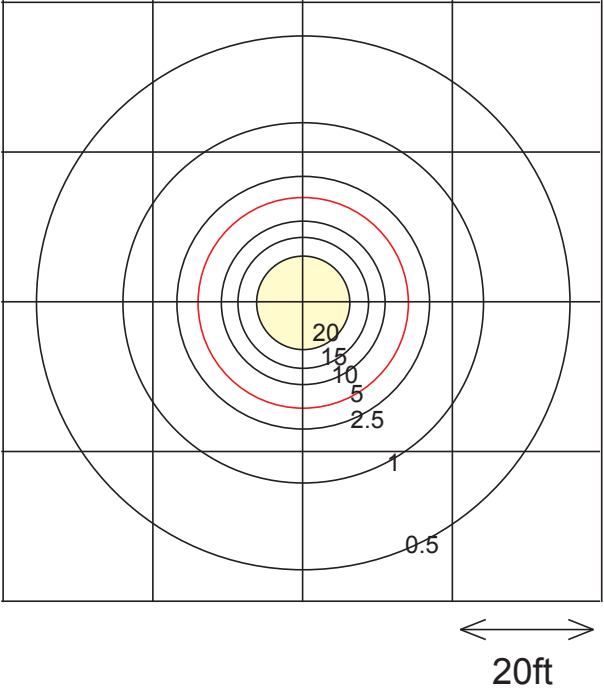


Figure 1. Dimensions (GB3LED)

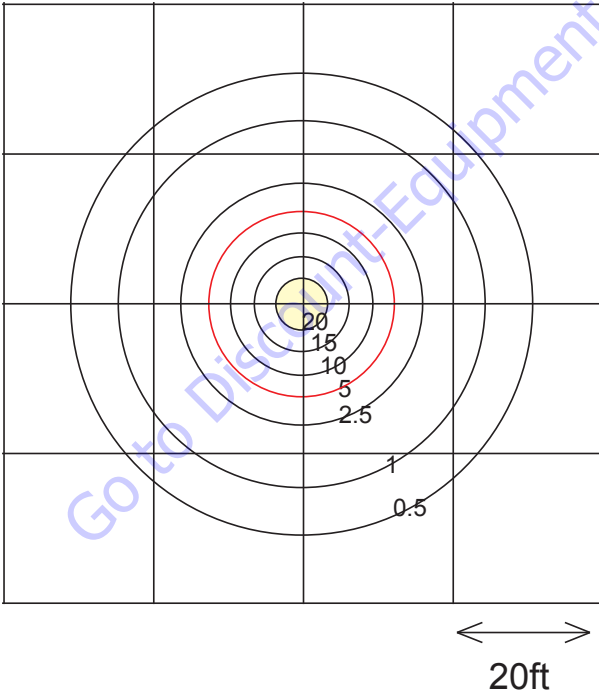
Table 2. Dimensions

Reference Letter	Dimension in. (mm.)	Reference Letter	Dimension in. (mm.)
A	Upper Position - 44.7 in. (1,135 mm.) Lower Position - 52.4 in. (1,330 mm.)	F	33.5 in. (850 mm.)
B	Upper Position - 52.2 in. (1,325 mm.) Lower Position - 62.0 in. (1,575 mm)	G	21.1 in. (535 mm.)
C	7.5 in. (190 mm.)	H	23.6 in. (600 mm.)
D	49.6 in. (1,260 mm.)	I	73.2 - 109.1 in. (1860 - 2770 mm.)
E	51.2 in. (1,300 mm.)	J	88.4 - 124.2 in. (2245 - 3155 mm.)

# ILLUMINATION RANGE



tripod 1st Stage  
Two stage mast



tripod 2nd Stage  
Two stage mast

Figure 2. Illumination Range (Foot Candles)

## GENERAL INFORMATION

The Multiquip GloBug GB3LED is a general purpose, portable, glare-free lighting systems Typical applications for these types of lighting systems include construction sites, emergency road crews and backyard parties.

### LIGHTING

This GloBug lighting system is comprised of LED lamps in a shock-resistant, waterproof LED assembly. The LED assembly has an output of 40,000 lumens. The LEDs have a long operating life of up to 40,000 hours. The lighting system has a 3-stage dimming control (100 W, 200 W, 300 W).

### SETUP

The GB3LED lighting system can be set up quickly and easily. Tripod legs can be deployed in one quick easy step and can be adjusted to two different heights.

In addition the unit is equipped with a gas-assist mast lowering system. This system allows the mast to be retracted slowly so that the mast will not fall rapidly when released. This feature reduces the amount of vibration or shock to the lamp.

### TRANSPORT

The GB3LED lighting system can be transported (Figure 3) quite easily in two carrying cases.

For ease of service or transport, the lamp assembly is equipped with a quick-disconnect connector that allows the lamp fixture to be removed quickly. This feature is extremely useful during transport of the lighting system. It is always best to remove the lamp and pack it safely so it will not be damaged.

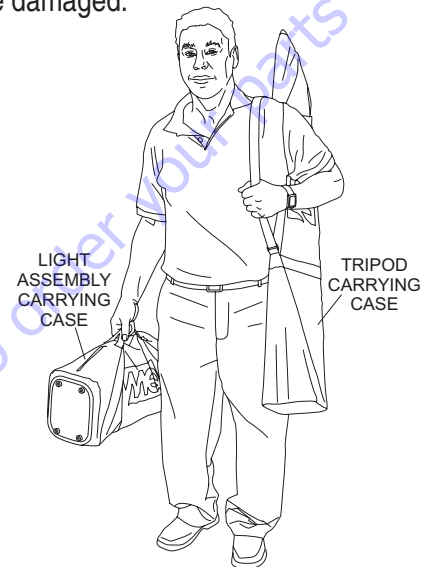


Figure 3. GB3LED Transporting

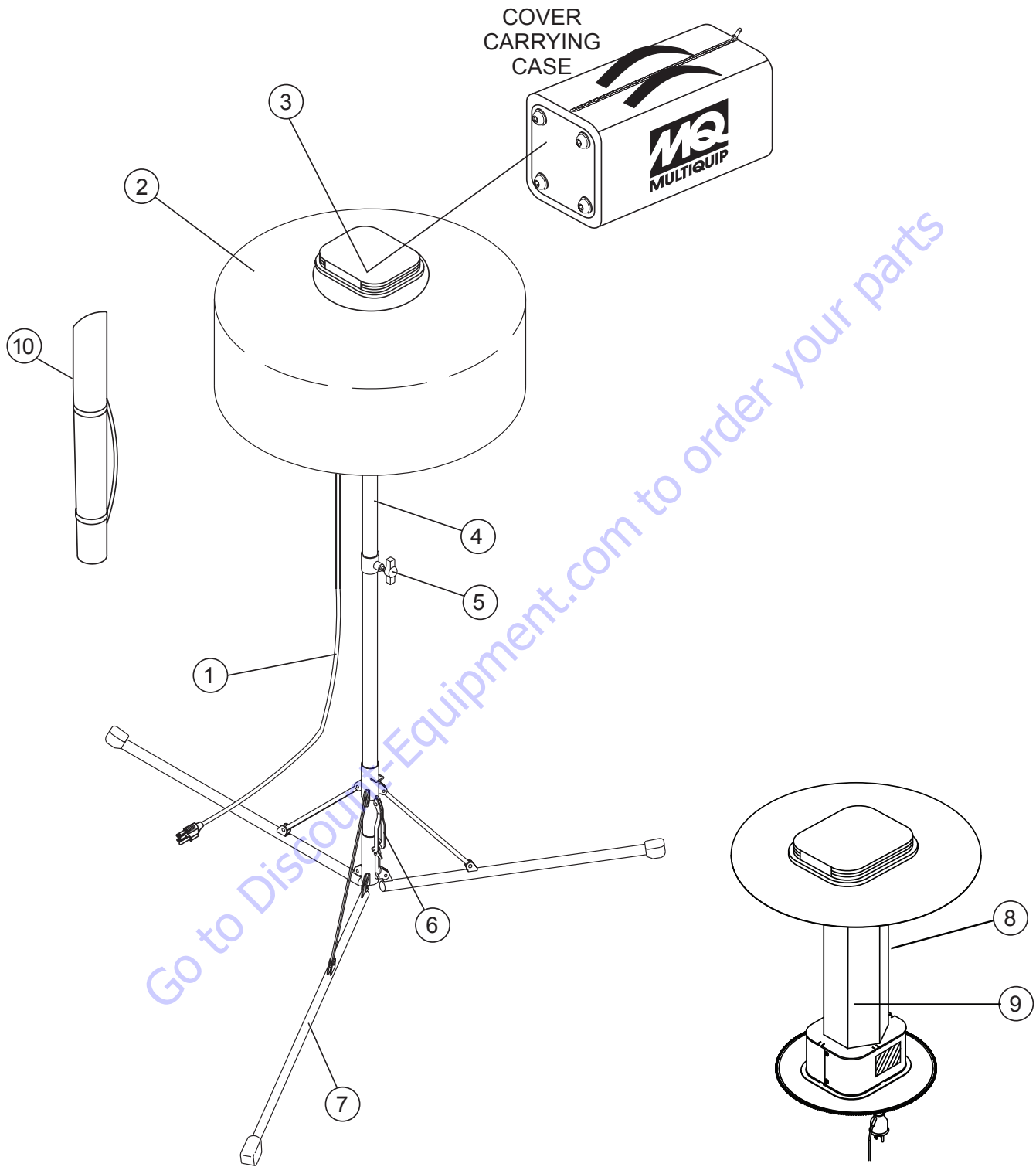


Figure 4. Major Components

## COMPONENTS

Figure 4 shows the location of the components for the GloBug lighting system. The function of each component is described below:

1. **AC Power Cable** — Connect this cable to a 120 VAC, 60 Hz power source.
2. **Balloon** — This balloon is made of heat-resistant polyester, with a diameter of 33 inches (850 mm).
3. **Balloon Cover/Carrying Case** — When zipped, this protective cover acts like a carrying case. The complete lamp assembly is enclosed within the cover-carrying case. Allow a sufficient amount of time for the lamp to cool down before covering balloon. The possibility exists of the balloon getting burned.
4. **Mast** — Two stage gas-assist mast. Maximum mast height is 12.5 ft. (3.81 meters). When raising the mast, always be on the lookout for overhead obstructions.
5. **T-Handle Bolt Lock** — Always tighten this lock to hold the lamp/balloon securely in place before raising mast.
6. **Weight Support Hook** — To add additional weight to the tripod and make the tripod more stable in windy conditions. Place a sandbag or similar weight onto this hook.
7. **Tripod** — Unbuckle velcro strap securing tripod legs (3), push down on any tripod leg until all tripod legs are fully deployed. To place tripod legs in the stowed position, pull upward on velcro strap while pushing down on tripod pole. Pull all legs upward and secure with velcro strap.
8. **Lamp Guard** — This guard (cage) protects the lamp from being hit by objects.
9. **Lamp** — Comprised of LED lamps. The lamps have three stages of brightness: 300W, 200W, and 100W.
10. **Tripod Carrying Case** — Use this case when transporting of the tripod is required. **ALWAYS** store tripod in this carrying case when not in use.

## TRIPOD DEPLOYMENT

1. Place the tripod on a firm level surface so that it will not slide or turn over. Make sure there is enough space around the unit for the tripod legs to be deployed.
2. Remove tripod from its carrying case. The tripod legs are secured by a black velcro strap (Figure 5). Squeeze both tabs on each side of buckle to unlock strap and allow tripod legs (Figure 6) to be deployed.

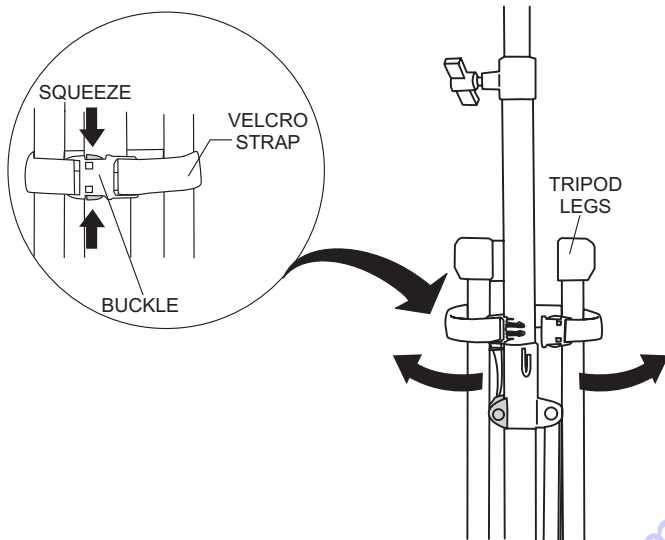


Figure 5. Velcro Strap (Open)

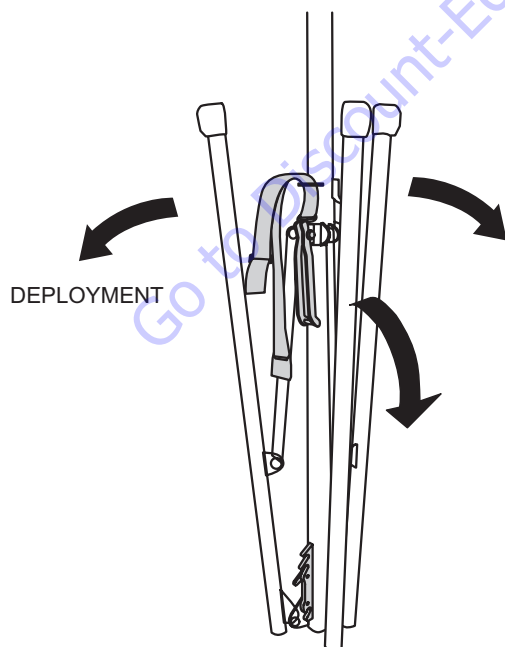


Figure 6. Tripod Deployment

3. Next, pull upward on the mast and let the tripod legs deploy. Once the tripod legs have been fully deployed make sure the legs are locked by securing the latch.

The latch (Figure 7) has two positions, upper and lower. Placing the latch in the upper position will provide 1 ft. (305 mm) more height.

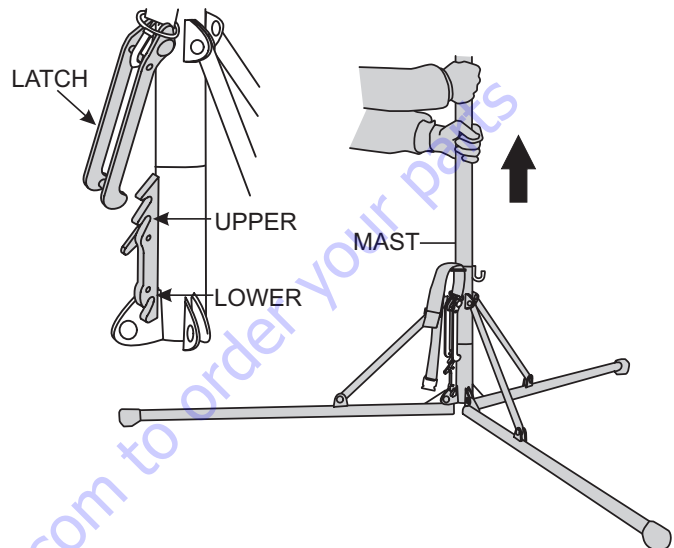


Figure 7. Securing the Tripod

## BALLOON ASSEMBLY PLACEMENT

1. Place balloon assembly (Figure 8) onto mast and tighten Upper T-handle.

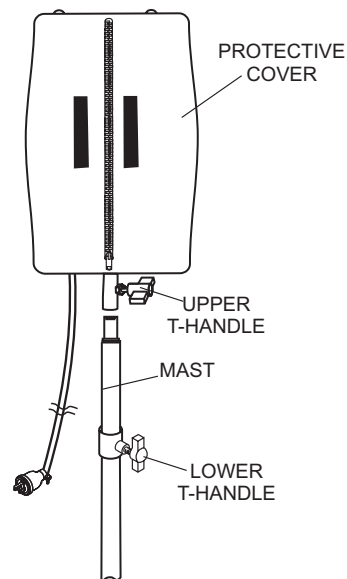
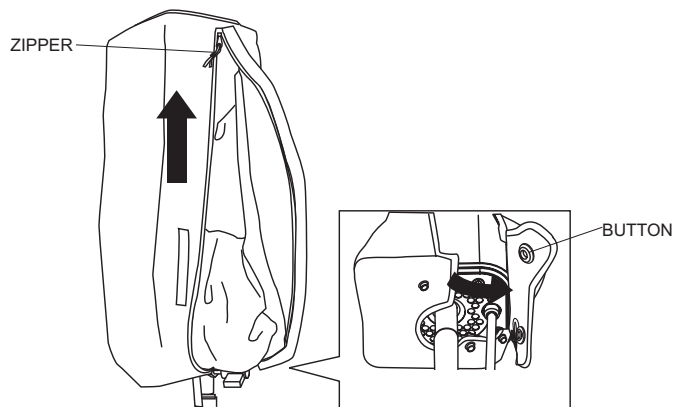


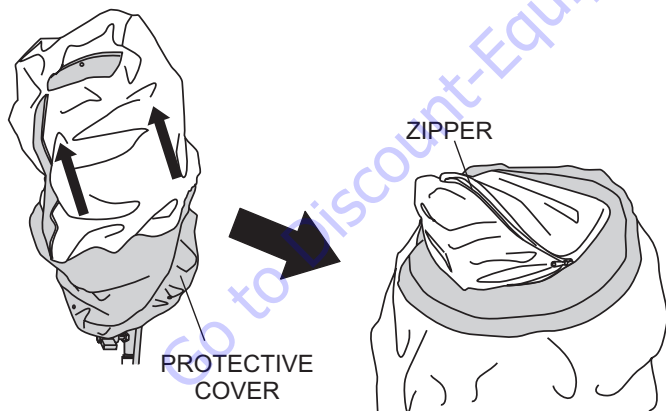
Figure 8. Light Assembly Placement

2. Unsnap the three buttons on the bottom of the balloon. Expose the balloon by pulling down on the velcro tab and unzip the protective cover as shown in Figure 9. Also remove the AC power cord at this time.
4. Attach the S-type hook (Figure 11) on the AC power cable onto the washer-eylet located on the bottom plate of the light assembly.

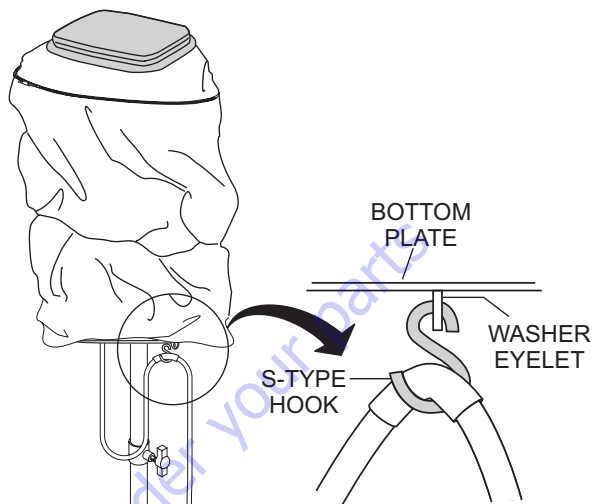


**Figure 9. Removing Balloon/AC Power Cord**

3. Next, fold the protective cover (Figure 10) into itself and zip.



**Figure 10. Folding Protective Cover**

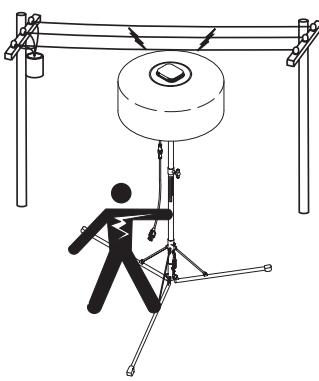


**Figure 11. Securing Power Cord**

## RAISING THE MAST

Before raising the mast, make sure the upper T-handle bolt lock (Figure 12) is securely tightened. This will prevent the balloon/lamp assembly from falling off. In addition make sure that the lamp power cable is connected to the mating end of the 15 ft (4.5 meters) power source cable.

**! DANGER**




**ALWAYS** make sure the area above the lighting system is open and clear of overhead power lines and other obstructions. The mast extends in excess of 13 ft. (4 meters) when an optional extension is used. Contact with overhead power lines or other obstructions could result in equipment damage, serious injury or death!

**! CAUTION**

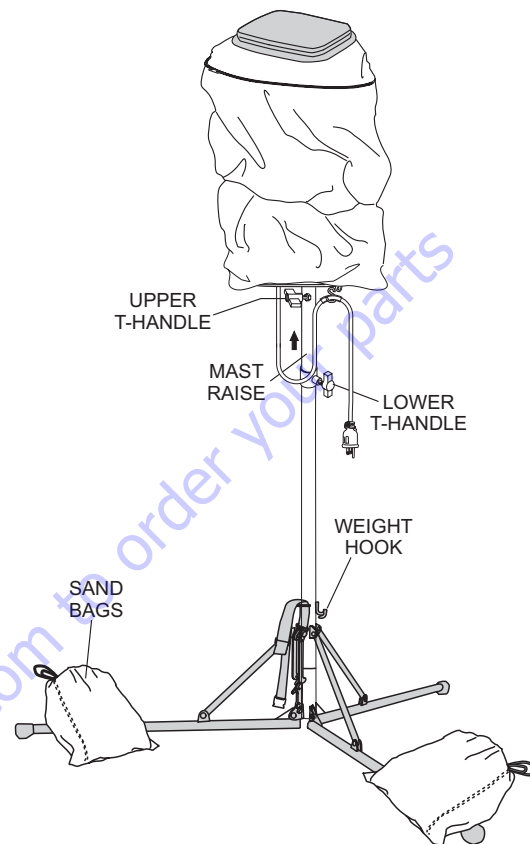
When raising mast, **ALWAYS** be on the lookout for overhead obstructions such as high voltage power lines. The possibility exists of electrocution, even death! if the lighting system comes in contact with high voltage power lines.

**! DANGER**



When raising mast, **ALWAYS** be on the lookout for overhead obstructions such as high voltage power lines. The possibility exists of electrocution, even death! if the lighting system comes in contact with high voltage power lines.

5. To improve stability and to prevent tipping of the light unit, place sand bags or similar type weight over the tripod legs or weight hook as shown in Figure 12.



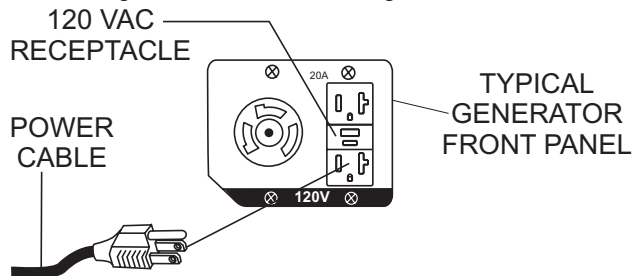
**Figure 12. Sand Bags**

6. Raise mast to desired height and tighten lower T-handle (Figure 12) securely.



## APPLYING POWER

1. Connect the AC power cable to the 120 VAC receptacle on the generator used. See Figure 13.

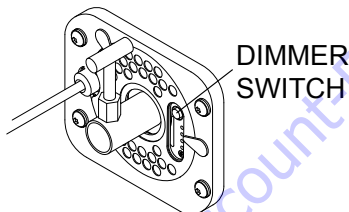


**Figure 13. Connecting to Power Source**

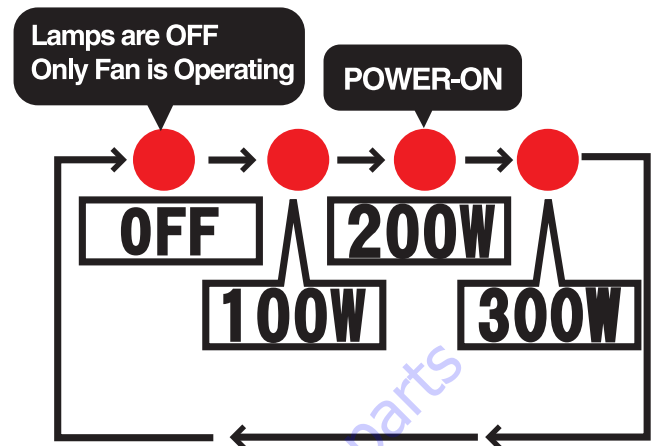
2. Start the generator as indicated in the generator manual.
3. Turn on the power of the generator. The balloon will start to inflate and the lamp will turn on at 200 W for units with S/N G3200105 - G4200000, and at 300 W for units with S/N G4200001 and ABOVE.

## DIMMING THE LAMP

1. Press the dimmer switch to control the brightness of the lamp (Figure 14). The lamp can be turned off or set to 100W, 200W, 300W. The corresponding LED will light red when selected (Figure 15).



**Figure 14. Dimmer Switch**



**Figure 15. Brightness LED Indicators**

2. Zip up the bottom of the balloon completely after use of the dimmer switch.

## SILENT MODE

Noise coming from the unit during operation can be eliminated.

1. Press and hold the dimmer switch (Figure 14) for 2 seconds. The blue LED in the center of the switch will flash when in silent mode.
2. To switch back to normal mode, press and hold the dimmer switch for 3 seconds. The blue LED will stop flashing.

### NOTICE

The brightness of the lamp can still be adjusted when in silent mode.

When unit is restarted, it will revert to normal mode even if silent mode was selected prior to shutdown.

## SHUTDOWN

1. Turn off the power switch of the generator. The balloon should start to deflate and the lamp will turn off.
2. Disconnect the AC power cable from the generator.

## CIGARETTE LIGHTER CABLE (OPTION)

An optional cigarette lighter cable (P/N A300301402) can be used to connect to the cigarette lighter receptacle in a vehicle for power.

1. Disconnect the AC Power Cable from the unit and connect the cigarette lighter cable in its place.
2. Make sure the vehicle is in idle mode.

### NOTICE

Do not connect to the vehicle while the engine is on.

3. Connect the other other end of the cigarette lighter cable to the cigarette lighter receptacle in the vehicle (Figure 16). The lighting system will automatically adjust to 100W when DC power is used.

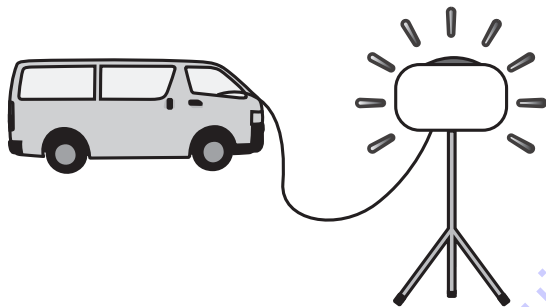


Figure 16. DC Power Source

4. If the vehicle battery is about to be discharged, the lamp would blink then will automatically turn off. If this happens, make sure that the cigarette lighter cable is unplugged from the vehicle. Only plug it back again when battery is replaced with a properly charged one.

### NOTICE

If the voltage from the vehicle battery goes below 11 V, the lighting system may not start properly. Unplug cable and wait a few seconds before plugging it back in.

## STORAGE

1. Loosen the lower T-handle by turning handle counterclockwise (Figure 17). Push down on mast until mast is fully inserted into mast housing. Tighten T-handle fully.

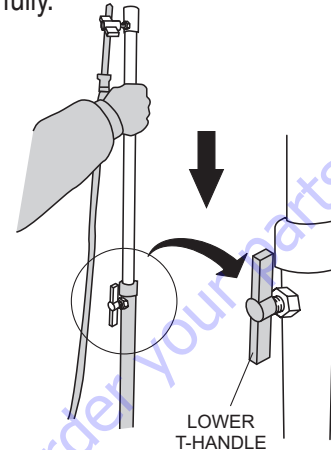


Figure 17. Lowering the Mast

2. Unhook the cable from the washer eyelet.
3. Unzip the zipper on the protective cover (Figure 20), and pull down cover over balloon/lamp assembly.

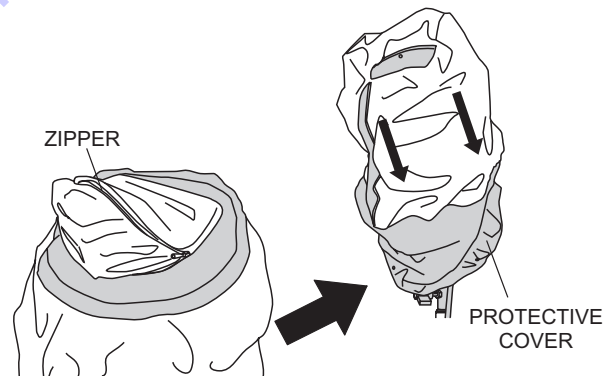
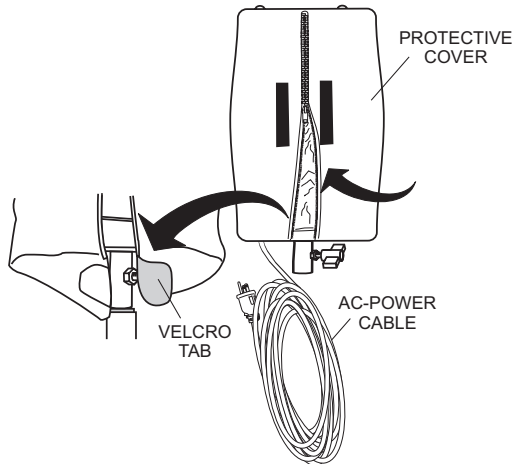


Figure 18. Unzipping the Protective Cover

# OPERATION

- Unhook lamp AC power cable from washer eyelet (Figure 11). Fully zip protective cover and fold velcro tab in place (Figure 19).



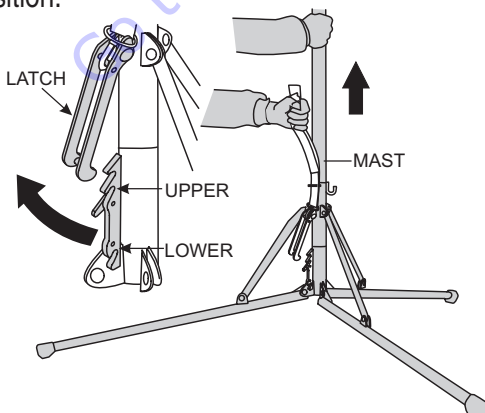
**Figure 19. Zipping the Protective Cover**

- Loosen upper T-handle by turning counterclockwise and lift lamp assembly from mast.
- Store lamp assembly enclosed with its protective cover (Figure 20) in a safe location where it will not be damaged.



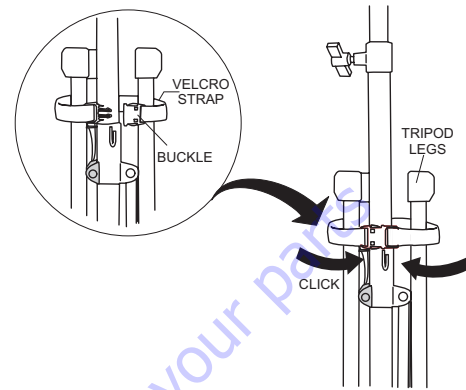
**Figure 20. Storing Lamp Assembly**

- To retract tripod legs (Figure 21) and place in the stow position, lift up on mast while pulling up on the velcro strap. Continue pulling upward on the mast until the tripod legs are fully retracted and are in the stow position.



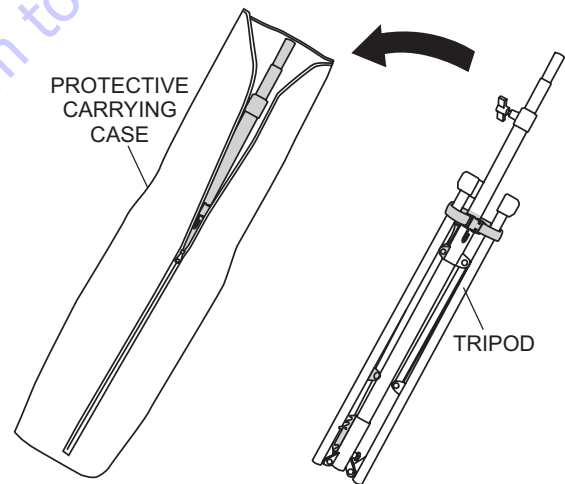
**Figure 21. Retracting Tripod Legs**

- Once tripod legs are in the stow position, place velcro strap (Figure 22) around all three tripod legs. Secure tripod legs by inserting the male and female connector ends of the strap into each other.



**Figure 22. Velcro Strap (Closed)**

- Place tripod (Figure 23) inside protective carrying case.



**Figure 23. Carrying Case**

## REPLACING THE LAMP

### NOTICE

Contact Multiquip Technical Support Department for assistance in replacing LED lamps.

## REPLACING BALLOON ENVELOPE

1. Unzip the zipper (Figure 24) at the top and bottom of the balloon envelope (cover).

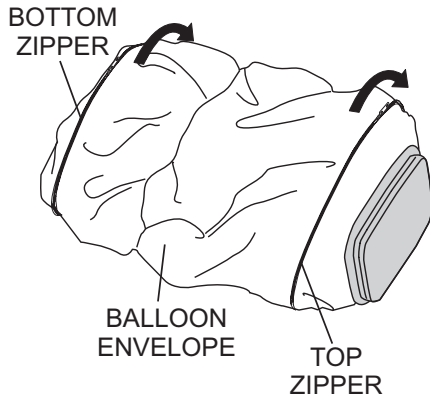


Figure 24. Unzipping the Balloon Envelope

2. Slide the old or worn balloon envelope (Figure 25) over the top of the lamp guard assembly.

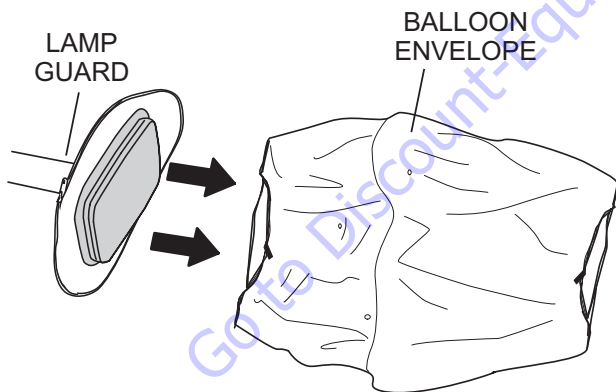


Figure 25. Removing the Balloon Envelope

3. Slide the new balloon (Figure 26) envelope over the top of the lamp guard assembly.

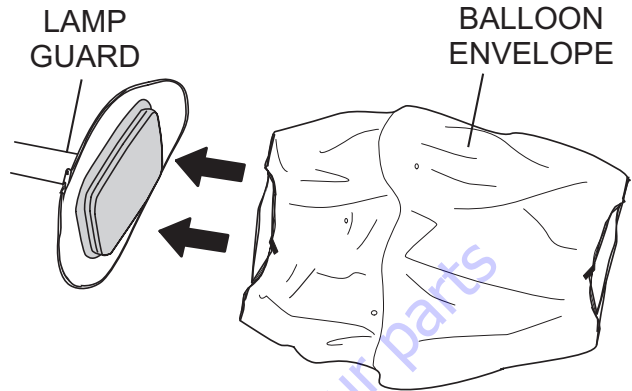


Figure 26. Installing New Balloon Envelope

4. Zip up the zipper (Figure 27) at the top and bottom of the balloon envelope (cover).

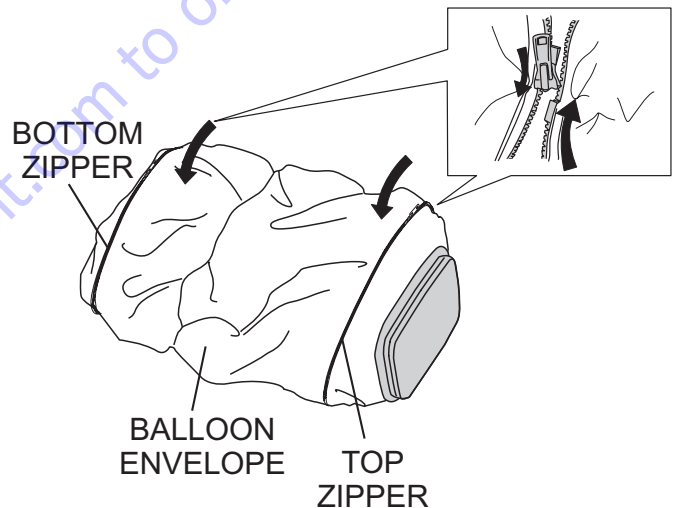
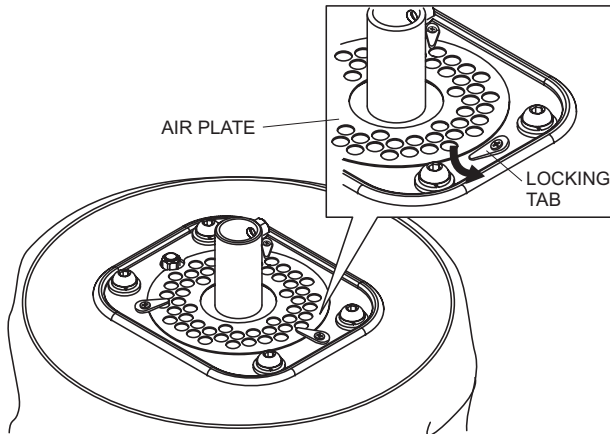


Figure 27. Zipping the Balloon Envelope

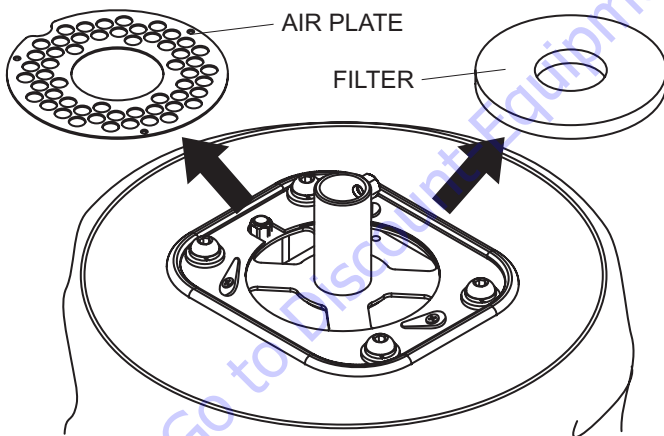
## FILTER REPLACEMENT

1. Remove the balloon as described in the STORAGE section.
2. Turn the balloon/lamp assembly upside down to access the filter. See Figure 28.



**Figure 28. Accessing Filter**

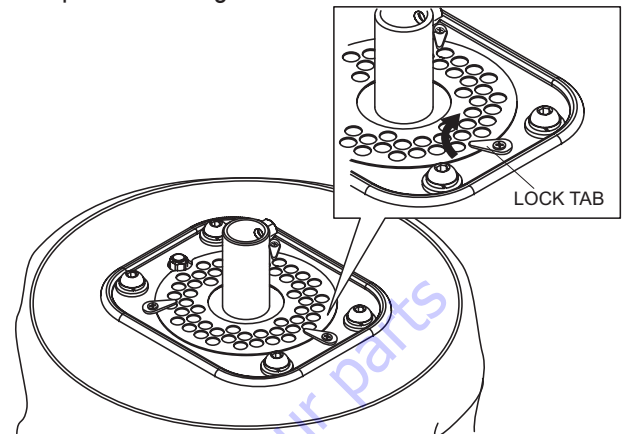
3. Turn the three locking tabs outwards to release the air plate. See Figure 28.
4. Remove the air plate and filter. See Figure 29.



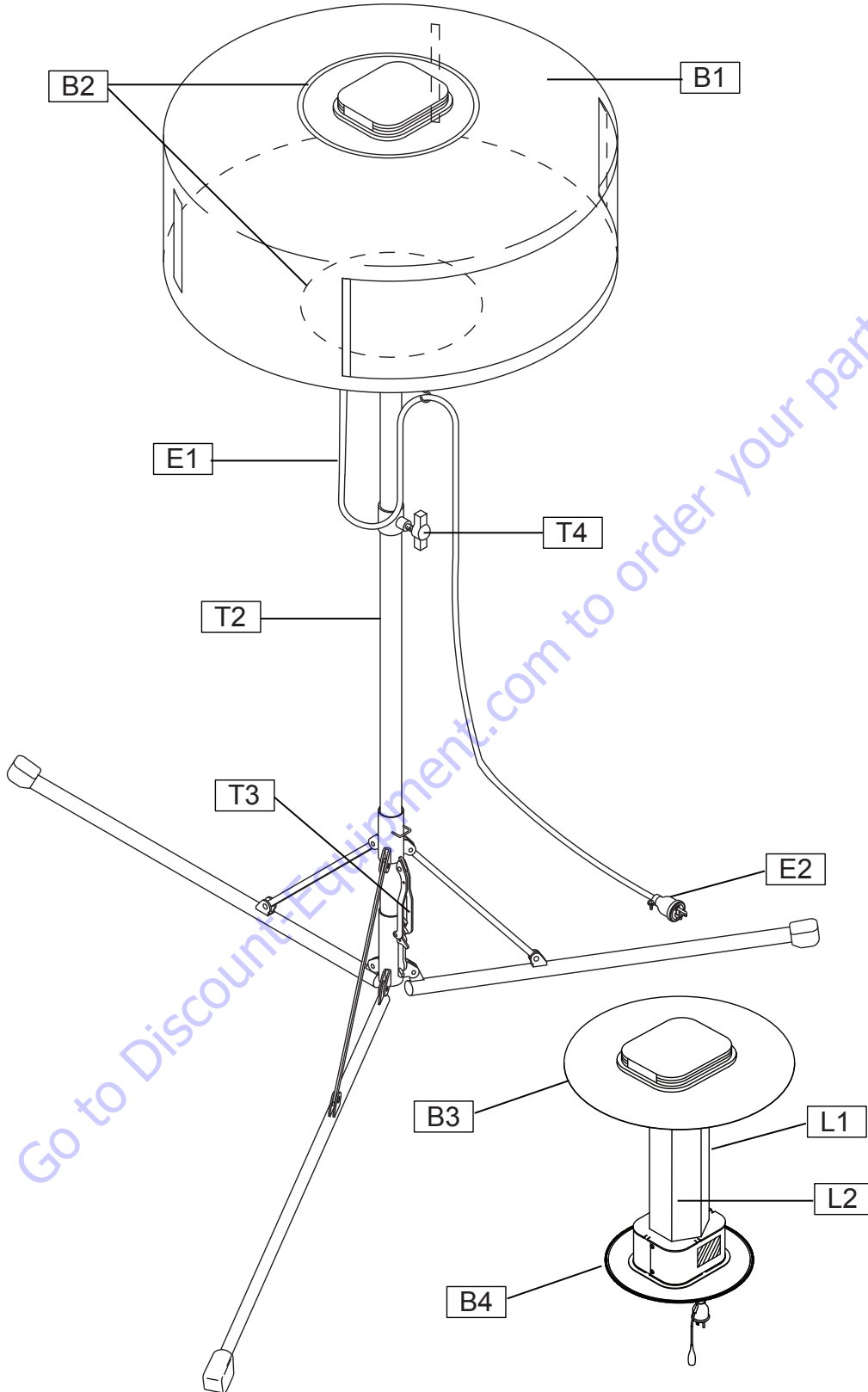
**Figure 29. Filter Removal**

5. Install a new filter and reinstall the air plate.

6. Turn the three locking tabs inwards to lock the air plate in place. See Figure 30.



**Figure 30. Locking Air Plate**



**Figure 31. Maintenance Check Points**

## MAINTENANCE

For a prolonged life cycle an extended quality follow the recommended GloBug lighting system service guidelines as referenced in Figure 31 and Table 3.

<b>Table 3. Periodic Check and Maintenance</b>					
<b>Figure</b>		<b>Part</b>	<b>Check Item</b>	<b>Solution</b>	
Lamp	L1	Lamp Guard	Dirty, rusty or damaged?	Clean/Replace	▲
	L2	LED Lamp	Defective or broken?	Replace	❖
Balloon	B1	Balloon (Envelope)	Ripped or dirty?	Replace	❖
	B2	Zipper	Broken?	Replace	❖
	B3	Fan Motor (Blower)	Not working properly?	Replace	●
	B4	T-Handle bolt (Balloon)	Broken?	Replace	❖
Electric	E1	Power Cable	Defective or worn cable?	Replace.	❖
	E2	Plug	Damaged?	Replace	■
Tripod	T1	Tripod	Damaged or not working properly?	Replace	■
	T2	Mast	Damaged or not working properly?	Replace	■
	T3	Knob	Damaged?	Replace	❖
	T4	T-Handle bolt (Mast)	Damaged?	Replace	❖
❖ - Daily Check    ■ - Every 20 Hours    ● - Every 100 Hours    ▲ - Every 500 Hours					

# WIRING DIAGRAM

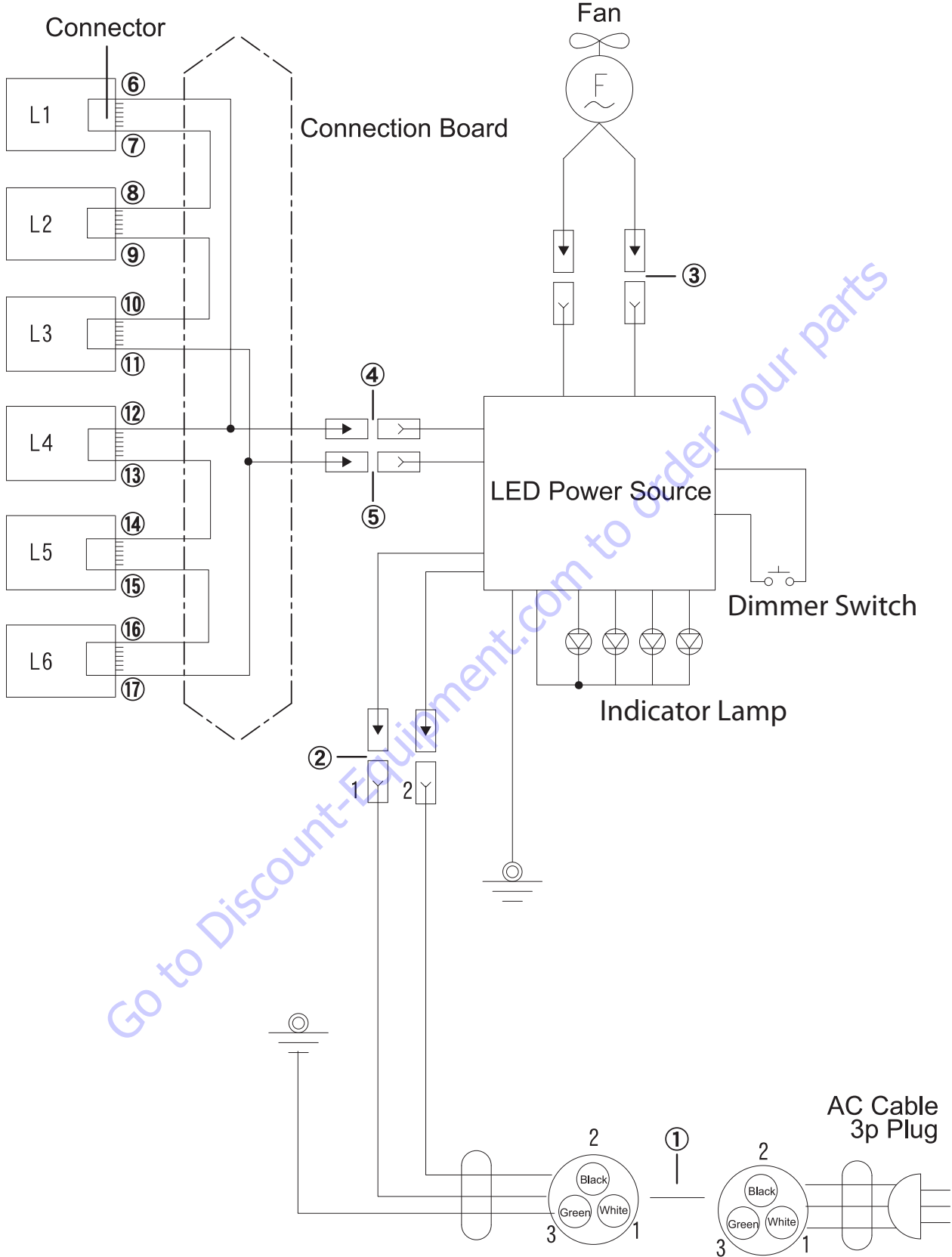


Figure 32. Electrical Wiring Diagram



# TROUBLESHOOTING

Troubleshooting		
Symptom	Possible Problem	Solution
Lamp does not light.	Is plug connected?	Plug in correctly.
	Is generator's main switch turned off?	Turn on switch.
	Are any wire cables disconnected?	Connect disconnected wire cable.
	Are any other electric appliances (other than light tower) plugged into power source?	Unplug all other appliances.
	Is generator voltage not normal (standby voltage - 100 ± 5 V)?	Use proper voltage.
Balloon is not inflating.	Is zipper unzipped?	Zip balloon completely.
	Is fan motor not properly operating?	Inspect and repair fan motor if necessary.
	Is balloon torn?	Repair balloon.

Go to Discount-Equipment.com to order parts

# EXPLANATION OF CODE IN REMARKS COLUMN

The following section explains the different symbols and remarks used in the Parts section of this manual. Use the help numbers found on the back page of the manual if there are any questions.

## NOTICE

The contents and part numbers listed in the parts section are subject to change **without notice**. Multiquip does not guarantee the availability of the parts listed.

## SAMPLE PARTS LIST

NO.	PART NO.	PART NAME	QTY.	REMARKS
1	12345	BOLT.....	1	INCLUDES ITEMS W/%
2%		WASHER, 1/4 IN.....		NOT SOLD SEPARATELY
2%	12347	WASHER, 3/8 IN....	1	MQ-45T ONLY
3	12348	HOSE .....		A/R ...MAKE LOCALLY
4	12349	BEARING .....	1	S/N 2345B AND ABOVE

## NO. Column

**Unique Symbols** — All items with same unique symbol

(@, #, +, %, or >) in the number column belong to the same assembly or kit, which is indicated by a note in the “Remarks” column.

**Duplicate Item Numbers** — Duplicate numbers indicate multiple part numbers, which are in effect for the same general item, such as different size saw blade guards in use or a part that has been updated on newer versions of the same machine.

## NOTICE

When ordering a part that has more than one item number listed, check the remarks column for help in determining the proper part to order.

## PART NO. Column

**Numbers Used** — Part numbers can be indicated by a number, a blank entry, or TBD.

TBD (To Be Determined) is generally used to show a part that has not been assigned a formal part number at the time of publication.

A blank entry generally indicates that the item is not sold separately or is not sold by Multiquip. Other entries will be clarified in the “Remarks” Column.

## QTY. Column

**Numbers Used** — Item quantity can be indicated by a number, a blank entry, or A/R.

A/R (As Required) is generally used for hoses or other parts that are sold in bulk and cut to length.

A blank entry generally indicates that the item is not sold separately. Other entries will be clarified in the “Remarks” Column.

## REMARKS Column

Some of the most common notes found in the “Remarks” Column are listed below. Other additional notes needed to describe the item can also be shown.

**Assembly/Kit** — All items on the parts list with the same unique symbol will be included when this item is purchased.

Indicated by:

“INCLUDES ITEMS W/(unique symbol)”

**Serial Number Break** — Used to list an effective serial number range where a particular part is used.

Indicated by:

“S/N XXXXX AND BELOW”

“S/N XXXX AND ABOVE”

“S/N XXXX TO S/N XXX”

**Specific Model Number Use** — Indicates that the part is used only with the specific model number or model number variant listed. It can also be used to show a part is NOT used on a specific model or model number variant.

Indicated by:

“XXXXX ONLY”

“NOT USED ON XXXX”

**“Make/Obtain Locally”** — Indicates that the part can be purchased at any hardware shop or made out of available items. Examples include battery cables, shims, and certain washers and nuts.

**“Not Sold Separately”** — Indicates that an item cannot be purchased as a separate item and is either part of an assembly/kit that can be purchased, or is not available for sale through Multiquip.

## SUGGESTED SPARE PARTS

---

### GLOBUG LIGHTING SYSTEM

#### 1 TO 3 UNITS

Qty.	P/N	Description
3.....	A300260400 .....	LED HEATSINK ASSY. (S/N G3200105 - G3200282)
3.....	A300260402 .....	LED HEATSINK ASSY (S/N G4200001 AND ABOVE)
2.....	A100015901 .....	BALLOON CLOTH

Go to [Discount-Equipment.com](http://Discount-Equipment.com) to order your parts

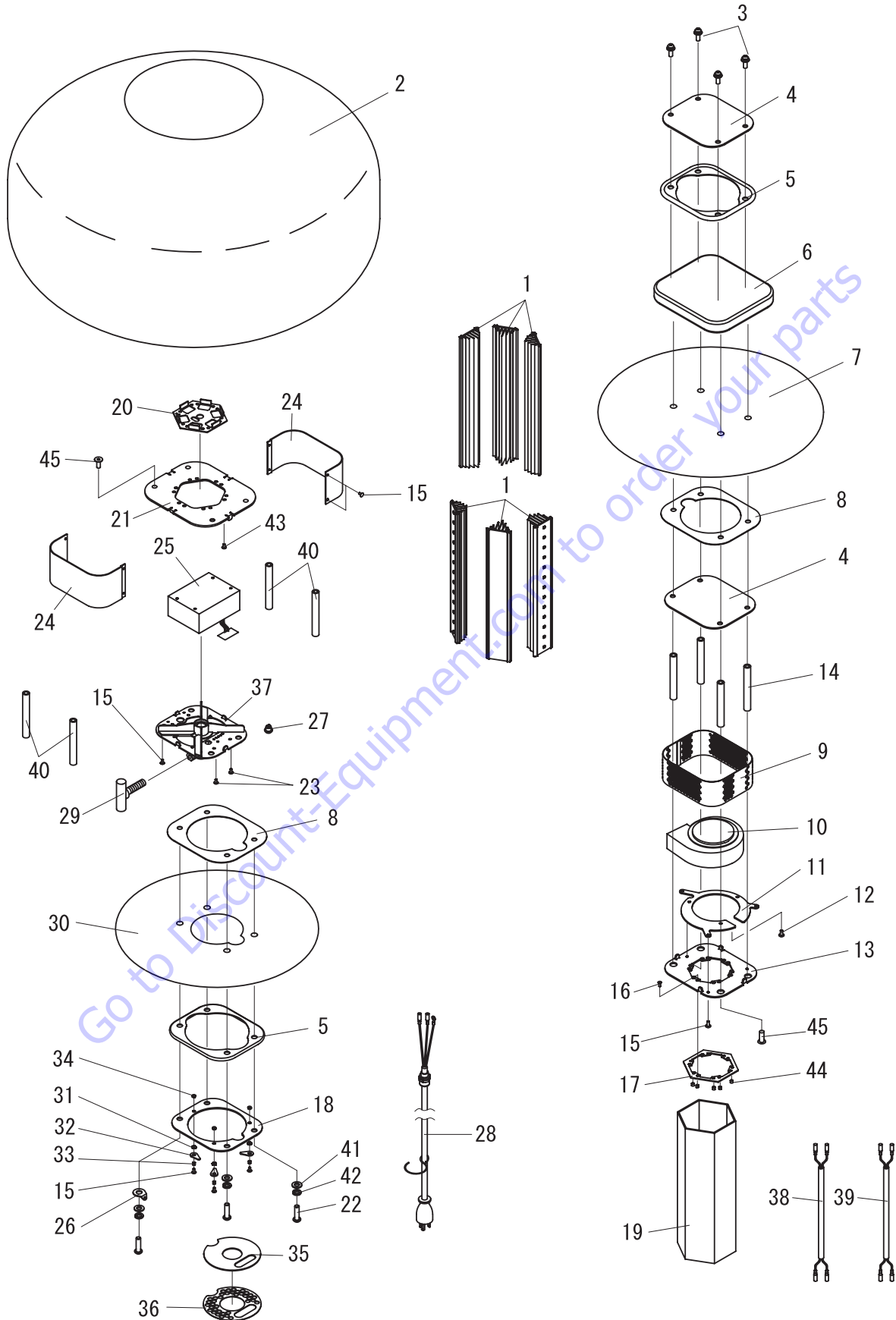


## NAMEPLATE AND DECALS

<u>NO.</u>	<u>PART NO.</u>	<u>PART NAME</u>	<u>QTY.</u>	<u>REMARKS</u>
1	A400325101	DECAL; ELECTRIC SHOCK/BURN	1	
2	A400340901	DECAL; LIGHT CONTROL	1	
3	A400325001	DECAL; CAUTION, CSA.....	1.....	S/N G3200105 - G4200000
3	A400325000	DECAL; CAUTION, CSA.....	1.....	S/N G4200001 & ABOVE
4	A400287600	DECAL; DIMMER SWITCH LEDS	1	
5	A400324801	DECAL; MAST	1	
6	A400166701	DECAL; HOOK LATCH, ENGLISH	1	
7	A400324100	DECAL; HOOK LATCH, FRENCH	1	
8	A400194100	DECAL; WORKSTAND DEPLOYMENT, EN	1	
9	A400290802	DECAL; GB3LED	1	
10	A400084300	DECAL; GROUND	1	
11	A400193300	DECAL; NAME, GLOBUG	1	
12	A400324300	DECAL; WORKSTAND DEPLOYMENT, FR	1	

Go to [Discount-Equipment.com](http://Discount-Equipment.com) to order your parts

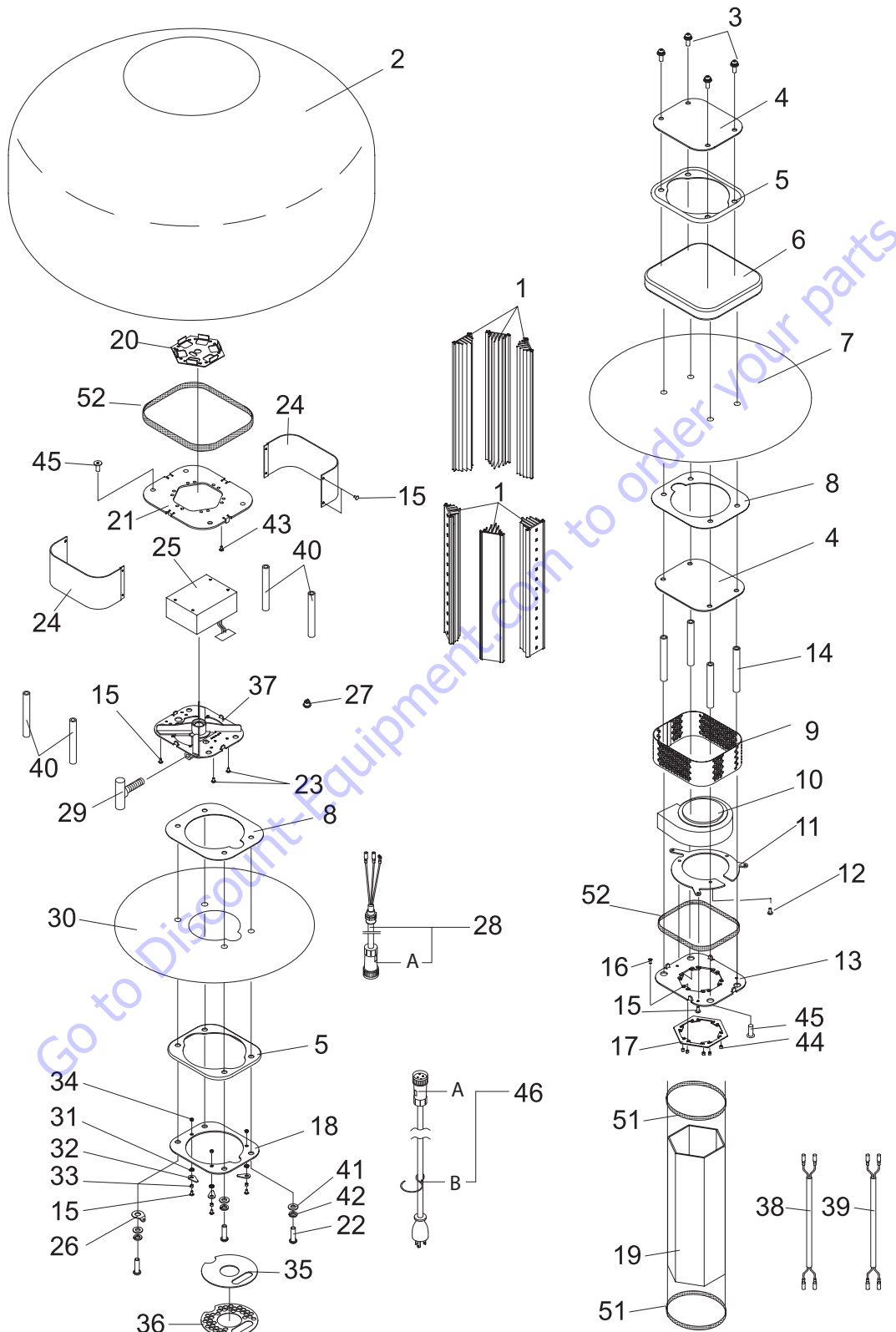
# ELECTRICAL ASSY. (S/N G3200105 - G3200282)



## ELECTRICAL ASSY. (G3200105 - G3200282)

<u>NO.</u>	<u>PART NO.</u>	<u>PART NAME</u>	<u>QTY.</u>	<u>REMARKS</u>
1	A300260400	LED HEATSINK ASSY.	6	
2	A100015901	BALLOON CLOTH COMPLETE	1	
3	0014808025	BUTTON SCREW, M8X25	4	
4	A300257000	PLATE, TOP	2	
5	A300162400	SEAL, PACKING	2	
6	A100106100	BALLOON COVER, BLACK-LED COMPLETE	1	
7	A300160301	SHEET, TOP COMPLETE	1	
8	2214500230	SEAL, FLAT	2	
9	A300238101	VESSEL, TOP	1	
10	A300280600	FAN MOTOR ASSY.	1	
11	A300281401	PLATE, FAN	1	
12	0023204006	SCREW, M4X6	3	
13	A300247701	PLATE, LAMP TOP	1	
14	A400299600	SPACER, TOP	4	
15	0024304008	SCREW, M4X8	15	
16	0023204012	COUNTERSUNK SCREW, M4X12	12	
17	A400295300	STOPPER, GUARD	1	
18	A300256700	PLATE, BOTTOM	1	
19	A300243602	GUARD	1	
20	A300260100	ADAPTER BOARD COMPLETE	1	
21	A300249801	PLATE, LAMP	1	
22	0014708035	BUTTON SCREW, M8X35	4	
23	0023203005	SCREW, M3X5	2	
24	A300180600	VESSEL 2	2	
25	A300281200	LED POWER SUPPLY COMPLETE	1	
26	2204510110	WASHER	1	
27	A400329900	DIMMING SWITCH COMPLETE	1	
28	A300181900	POWER CABLE COMPLETE, US	1	
29	A400209801	KNOB	1	
30	A300148200	SHEET, BOTTOM	1	
31	E000119300	WASHER, M4	3	
32	A400030700	STOPPER, FILTER	3	
33	E000077500	SPACER	3	
34	0033104000	NUT, M4	5	
35	A400273800	FILTER	1	
36	A300244600	PLATE, AIR	1	
37	A200105100	FLANGE COMPLETE, LED	1	
38	A400305000	WIRE, FAN COMPLETE	1	
39	A400331100	WIRE, FAN-VC COMPLETE	1	
40	A400281700	SPACER, BOTTOM	4	
41	0043108000	WASHER, M8	4	
42	030208200	WASHER, LOCK M8.....	4.....	REPLACES 0043208000
43	0023304015	SCREW AND WASHER, M4X12	12	
44	E000122300	SPACER	12	
45	E000119600	BOLT, M8X20	8	

# ELECTRICAL ASSY. (S/N G4200001 AND ABOVE)

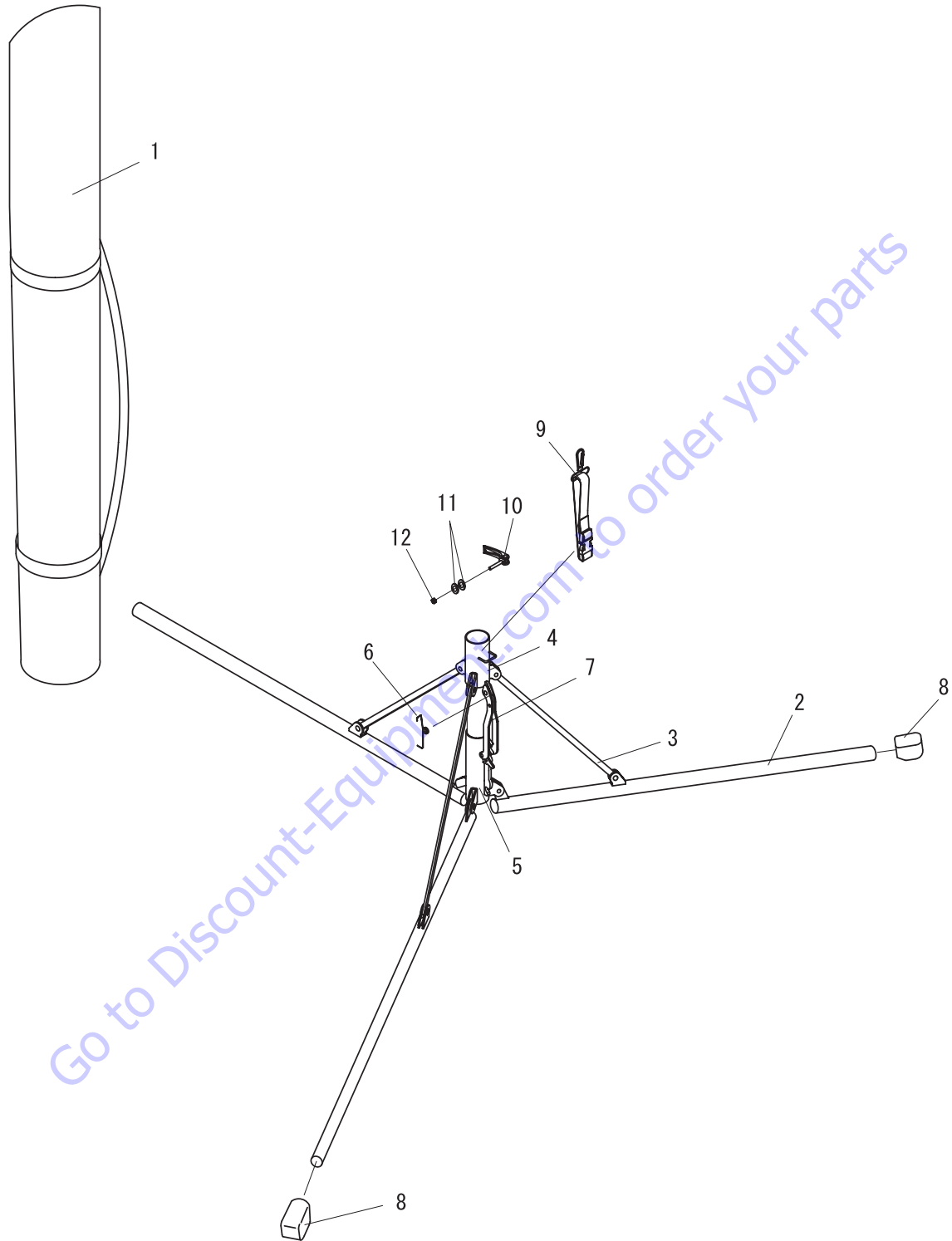




## ELECTRICAL ASSY. (S/N G4200001 AND ABOVE)

<u>NO.</u>	<u>PART NO.</u>	<u>PART NAME</u>	<u>QTY.</u>	<u>REMARKS</u>
1	A300260402	LED HEATSINK ASSY.	6	
2	A100015901	BALLOON CLOTH COMPLETE	1	
3	0014808025	BUTTON SCREW, M8X25	4	
4	A300257000	PLATE, TOP	2	
5	A300162400	SEAL, PACKING	2	
6	A100106100	BALLOON COVER, RED-LED COMPLETE	1	
7	A300160301	SHEET, TOP COMPLETE	1	
8	2214500230	SEAL, FLAT	2	
9	A300238101	VESSEL, TOP	1	
10	A300280600	FAN MOTOR ASSY.	1	
11	A300281401	PLATE, FAN	1	
12	0023204006	SCREW, M4X6	3	
13	A300247701	PLATE, LAMP TOP	1	
14	A400299600	SPACER, TOP	4	
15	0024304008	SCREW, M4X8	15	
16	0023204012	COUNTERSUNK SCREW, M4X12	12	
17	A400295300	STOPPER, GUARD	1	
18	A300256700	PLATE, BOTTOM	1	
19	A300243602	GUARD	1	
20	A300260101	ADAPTER BOARD COMPLETE	1	
21	A300249801	PLATE, LAMP	1	
22	0014708035	BUTTON SCREW, M8X35	4	
23	0023203005	SCREW, M3X5	2	
24	A300180600	VESSEL 2	2	
25	A000064702	LED POWER SUPPLY COMPLETE	1	
26	2204510110	WASHER	1	
27	A400329900	DIMMING SWITCH COMPLETE	1	
28	A300315800	POWER CABLE COMPLETE, US	1	
28A	E000116200	CONNECTOR	1	
29	A400209801	KNOB	1	
30	A300148200	SHEET, BOTTOM	1	
31	E000119300	WASHER, M4	3	
32	A400030700	STOPPER, FILTER	3	
33	E000077500	SPACER	3	
34	0033104000	NUT, M4	5	
35	A400273800	FILTER	1	
36	A300244600	PLATE, AIR	1	
37	A200105100	FLANGE COMPLETE, LED	1	
38	A400305000	WIRE, FAN COMPLETE	1	
39	A400331100	WIRE, FAN-VC COMPLETE	1	
40	A400281700	SPACER, BOTTOM		
41	0043108000	WASHER, M8	4	
42	030208200	WASHER, LOCK M8.....	4.....	REPLACES 0043208000
43	0023304015	SCREW AND WASHER, M4X12	12	
44	E000122300	SPACER	12	
45	E000119600	BOLT, M8X20	8	
46	A300315900	POWER CABLE COMPLETE, US	1	
46A	E000116200	CONNECTOR	1	
46B	E000028200	S-HOOK	2	
51	A400340700	PACKING, GUARD	2	
52	A300310600	PACKING, PLATE	2	

# TRIPOD ASSY.

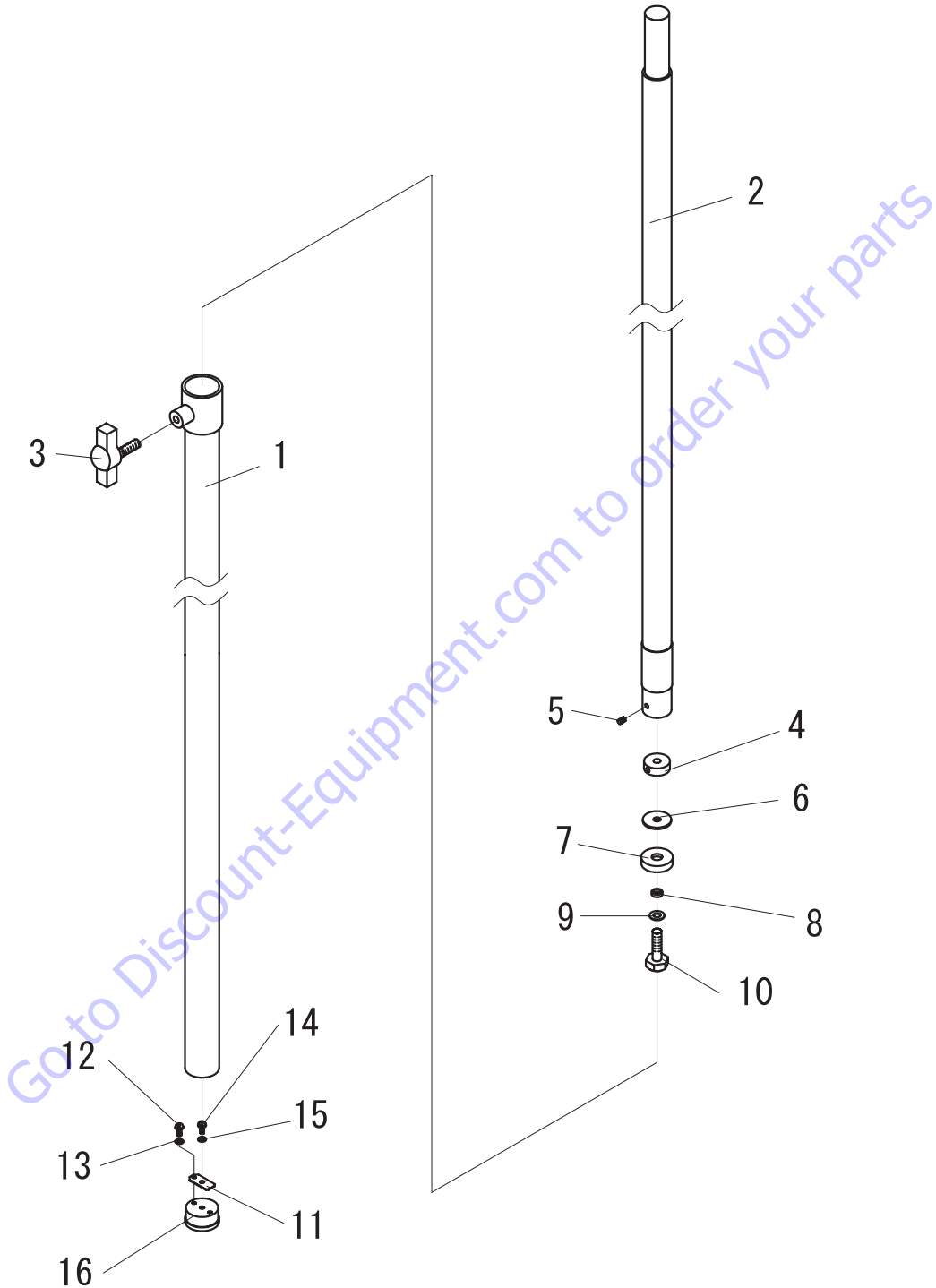


## TRIPOD ASSY.

<u>NO.</u>	<u>PART NO.</u>	<u>PART NAME</u>	<u>QTY.</u>	<u>REMARKS</u>
1	A300131500	TRIPOD CASE	1	
2	A300171601	PIPE, BASE	3	
3	A300113103	STAY	3	
4	A300199600	BASE PIPE 2	1	
5	A300199500	BASE PIPE 1	1	
6	A400205901	SPRING, SHACKLE	1	
7	A300108700	SHACKLE COMPLETE	1	
8	1641000330	RUBBER FOOT	3	
9	A300106500	TRIPOD BAND .....	1	S/N G3200105 - G4200000
9	E000140900	TRIPOD BAND .....	1	S/N G4200001 AND ABOVE
10	2212780310	LEVER	1	
11	0043108000	WASHER, M8	2	
12	0033206000	SELFLOCK NUT, M6	1	

Go to Discount-Equipment.com to order your parts

**MAST ASSY.**



## MAST ASSY.

<u>NO.</u>	<u>PART NO.</u>	<u>PART NAME</u>	<u>QTY.</u>	<u>REMARKS</u>
1	A300200300	FIRST MAST ASSY.	1	
2	A300200600	SECOND MAST ASSY.	1	
3	A400187601	KNOB	1	
4	A400229900	BOTTOM PLATE	1	
5	0024705008	SET SCREW, M5X8	2	
6	A400092801	WASHER, SECOND MAST	1	
7	A400200700	RUBBER, MAST	1	
8	A400110200	WASHER, MAST 1	1	
9	A400200500	WASHER, M8	1	
10	0013108030	BOLT, M8X30	1	
11	A400112700	LEAF VALVE	1	
12	0023104008	SCREW, M4X8	1	
13	0043104000	WASHER, M4	1	
14	0023105008	SCREW, M5X8	1	
15	0043105000	WASHER, M5	1	
16	A400199700	PLUG	1	

Go to [Discount-Equipment.com](http://Discount-Equipment.com) to order your parts



# OPERATION AND PARTS MANUAL

## HERE'S HOW TO GET HELP

PLEASE HAVE THE MODEL AND SERIAL  
NUMBER ON-HAND WHEN CALLING

---

Go to [Discount-Equipment.com](http://Discount-Equipment.com) to order your parts



[www.Discount-Equipment.com](http://www.Discount-Equipment.com)

