

OPERATION AND PARTS MANUAL



www.Discount-Equipment.com

MULTIQUIP®

**GLOBUG SERIES
MODELS:**

GBW (Pentapod With Lamp)

SERIAL NO. G2400001 AND ABOVE

GBS (Offset Pole With Lamp)

SERIAL NO. G2500001 AND ABOVE

GBP (Lamp Only)

SERIAL NO. G2600001 AND ABOVE

GBHM (Hitch Mount Accessory)

GBMP (Mounting Plate)

Revision #1 (10/04/19)



THIS MANUAL MUST ACCOMPANY THE EQUIPMENT AT ALL TIMES.

TO PURCHASE THIS PRODUCT PLEASE CONTACT US



**Equipment Financing and
Extended Warranties Available**



**Discount-Equipment.com is your online resource for
commercial and industrial quality parts and equipment sales.**

561-964-4949

visit us on line @ www.discount-equipment.com

Select an option below to find your Equipment

Search by Manufacturer

Search by Product Type

Request a Quote

We sell worldwide for the brands: Genie, Terex, JLG, MultiQuip, Mikasa, Essick, Whiteman, Mayco, Toro Stone, Diamond Products, Generac Magnum, Airman, Haulotte, Barreto, Power Blanket, Nifty Lift, Atlas Copco, Chicago Pneumatic, Allmand, Miller Curber, Skyjack, Lull, Skytrak, Tsurumi, Husquvarna Target, Stow, Wacker, Sakai, Mi-T-M, Sullair, Basic, Dynapac, MBW, Weber, Bartell, Bennar Newman, Haulotte, Ditch Runner, Menegotti, Morrison, Contec, Buddy, Crown, Edco, Wyco, Bomag, Laymor, EZ Trench, Bil-Jax, F.S. Curtis, Gehl Pavers, Heli, Honda, ICS/PowerGrit, IHI, Partner, Imer, Clipper, MMD, Koshin, Rice, CH&E, General Equipment, Amida, Coleman, NAC, Gradall, Square Shooter, Kent, Stanley, Tamco, Toku, Hatz, Kohler, Robin, Wisconsin, Northrock, Oztec, Toker TK, Rol-Air, APT, Wylie, Ingersoll Rand / Doosan, Innovatech, Con X, Ammann, Mecalac, Makinex, Smith Surface Prep, Small Line, Wanco, Yanmar

TABLE OF CONTENTS

GBW/GBS/GBP/GBHM/GBMP Lighting System

| | |
|--|-------|
| Table of Contents..... | 4 |
| Safety Information | 5–9 |
| Specifications | 10 |
| Dimensions (GBW)..... | 11 |
| Dimensions (GBS)..... | 12 |
| Dimensions (GBP)..... | 13 |
| Footcandle Plot..... | 14 |
| General Information..... | 15 |
| Components | 16–17 |
| Setup | 18–22 |
| Operation..... | 23–25 |
| Maintenance | 26–31 |
| Wiring Diagram..... | 32 |
| Explanation of Code in Remarks Column..... | 34 |
| Suggested Spare Parts | 35 |

Component Drawings

| | |
|---|-------|
| Nameplates and Decals (GBW) | 36–37 |
| Nameplates and Decals (GBS) | 38–39 |
| Balloon and Lamp Assembly (GBW/GBS) | 40–43 |
| Mast Assembly (GBW) | 44–45 |
| Pentapod Assembly (GBW)..... | 46–47 |
| Pole Assembly (GBS)..... | 48–49 |
| Hitch Mount Assembly (GBHM)..... | 50–51 |
| Plate Mount Assembly (GBMP)..... | 52–53 |

NOTICE

Specifications and part numbers are subject to change without notice.

Go to Discount-Equipment.com to order your parts

SAFETY INFORMATION


Do not operate or service the equipment before reading the entire manual. Safety precautions should be followed at all times when operating this equipment. Failure to read and understand the safety messages and operating instructions could result in injury to yourself and others.





SAFETY MESSAGES

The four safety messages shown below will inform you about potential hazards that could injure you or others. The safety messages specifically address the level of exposure to the operator and are preceded by one of four words: **DANGER**, **WARNING**, **CAUTION** or **NOTICE**.

SAFETY SYMBOLS



| |
|--|
|  DANGER |
| Indicates a hazardous situation which, if not avoided, WILL result in DEATH or SERIOUS INJURY . |

| |
|---|
|  WARNING |
| Indicates a hazardous situation which, if not avoided, COULD result in DEATH or SERIOUS INJURY . |

| |
|--|
|  CAUTION |
| Indicates a hazardous situation which, if not avoided, COULD result in MINOR or MODERATE INJURY . |

| |
|---|
| NOTICE |
| Addresses practices not related to personal injury. |

Potential hazards associated with the operation of this equipment will be referenced with hazard symbols which may appear throughout this manual in conjunction with safety messages.

| Symbol | Safety Hazard |
|--|------------------------|
|  | Burn hazards |
|  | Electric shock hazards |

SAFETY INFORMATION

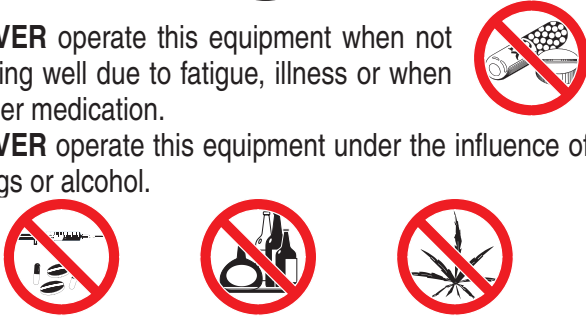
GENERAL SAFETY

CAUTION

- **NEVER** operate this equipment without proper protective clothing, shatterproof glasses, respiratory protection, hearing protection, steel-toed boots and other protective devices required by the job or city and state regulations.



- **NEVER** operate this equipment when not feeling well due to fatigue, illness or when under medication.
- **NEVER** operate this equipment under the influence of drugs or alcohol.



- **ALWAYS** check the equipment for loosened threads or bolts before starting.
- **DO NOT** use the equipment for any purpose other than its intended purposes or applications.

NOTICE

- This equipment should only be operated by trained and qualified personnel 18 years of age and older.
- Whenever necessary, replace nameplate, operation and safety decals when they become difficult read.
- Manufacturer does not assume responsibility for any accident due to equipment modifications. Unauthorized equipment modification will void all warranties.
- **NEVER** use accessories or attachments that are not recommended by Multiquip for this equipment. Damage to the equipment and/or injury to user may result.
- **ALWAYS** know the location of the nearest fire extinguisher.
- **ALWAYS** know the location of the nearest first aid kit.
- **ALWAYS** know the location of the nearest phone or **keep a phone on the job site**. Also, know the phone numbers of the nearest **ambulance, doctor** and **fire department**. This information will be invaluable in the case of an emergency.



SAFETY INFORMATION

LIGHTING SYSTEM SAFETY

WARNING

- **NEVER** disconnect any **emergency or safety devices**. These devices are intended for operator safety. Disconnection of these devices can cause **severe injury, bodily harm or even death**. Disconnection of any of these devices will void all warranties.

CAUTION

- **NEVER** attempt service on a running machine.

NOTICE

- To prevent the lighting system from overturning, **NEVER** use in winds that exceed 22 mph (10 m/s).
- The lighting system should only be used in temperatures between 23° to 104°F (-5° to 40° C). Failure to comply with these operating parameters could cause the lamp to malfunction and shorten the ballast life.
- **ALWAYS** keep the lighting system in proper running condition.
- Fix damage to lighting system and replace any broken parts immediately.
- **ALWAYS** store equipment properly when it is not being used. Equipment should be stored in a clean, dry location out of the reach of children and unauthorized personnel.

LAMP SAFETY

WARNING

- **NEVER** attempt to replace lamp with the power on. Always unplug the power cord from the generator or power source when changing the lamp.
- **ALWAYS** allow a sufficient amount of time for the lamp to **cool** before changing. The possibility exists of severe burns.

CAUTION

- **NEVER** use force when installing the lamp. Excessive force could cause the lamp to break, causing bodily harm.

NOTICE

- **NEVER** leave any grease or oil residue on lamp surface when replacing or removing lamp. This can create hot spots, reducing the service life of the lamp.
- **ALWAYS** make sure lamp surface is clean and dry.
- **ALWAYS** replace with MQ recommended type lamp. See parts section of this manual.
- If applicable, **ALWAYS** make sure the lamp guard is installed correctly. **NEVER** deform the lamp guard.
- **NEVER** unplug the lamp's AC power cable during operation.
- **ALWAYS** have a **trained technician** to install and remove lamp or replace any damaged fixture wiring.

SAFETY INFORMATION

BALLOON SAFETY

WARNING

- To prevent serious burns, **NEVER** touch or unzip the balloon envelope when the lamp is on.



CAUTION

- **ALWAYS** keep the balloon away from sharp objects and excessive amounts of heat.

NOTICE

- To prevent balloon deformation, **NEVER** use lighting system in strong winds.
- **DO NOT** place the balloon inside its protective cover until the lamp has had a sufficient amount of time to cool down. This will prevent the balloon's nylon cover from being burned (touching the lamp surface).
- **ALWAYS** place the balloon inside its protective cover after each use. This will prolong the life of the balloon material, keeping it protected from harsh environmental elements.
- Replace balloon immediately if damaged. A damaged balloon will not inflate properly, and may become more damaged by touching the hot lamp surface.
- **DO NOT** use excessive force when zipping and unzipping the balloon. Be gentle with the zipper mechanism. If the zipper is broken, the balloon will become unusable.

GENERATOR SAFETY

If using a generator to power lighting system, refer to applicable generator manual safety information section.



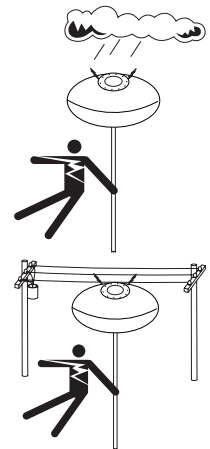
ELECTRICAL SAFETY

DANGER

- Lighting system is equipped with a ground pin on the power plug. For your protection, **ALWAYS** complete the grounding path. **NEVER** insert the AC power plug into a 2-prong receptacle to operate lighting system.

When applying power to the lighting system, **ALWAYS** connect the AC power plug to a 3-prong receptacle that is grounded. The possibility exists of **electrical shock, electrocution and even death** if the lighting system is not grounded.

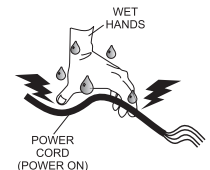
- **NEVER** operate lighting system or handle any electrical equipment while standing in water, while barefoot, while hands are wet or in the rain. A dangerous **electrical shock** could occur, causing **severe bodily harm or even death**.
- **ALWAYS** make sure the area above the lighting system is open and clear of overhead power lines and other obstructions. Contact with overhead power lines or other obstructions could result in equipment damage, **electrical shock, electrocution and even death**.



Power Cord/Cable Safety

DANGER

- **NEVER** let power cords or cables **lay in water**.
- **NEVER** use **damaged** or **worn** cables or cords. Inspect for cuts in the insulation
- **NEVER** grab or touch a live power cord or cable with wet hands. The possibility exists of **electrical shock, electrocution or death**.
- Make sure power cables are securely connected. Incorrect connections may cause **electrical shock** and damage to the lighting system.



NOTICE

- **ALWAYS** make certain that proper power or extension cord has been selected for the job. See Cable Selection Chart in this manual.

SAFETY INFORMATION

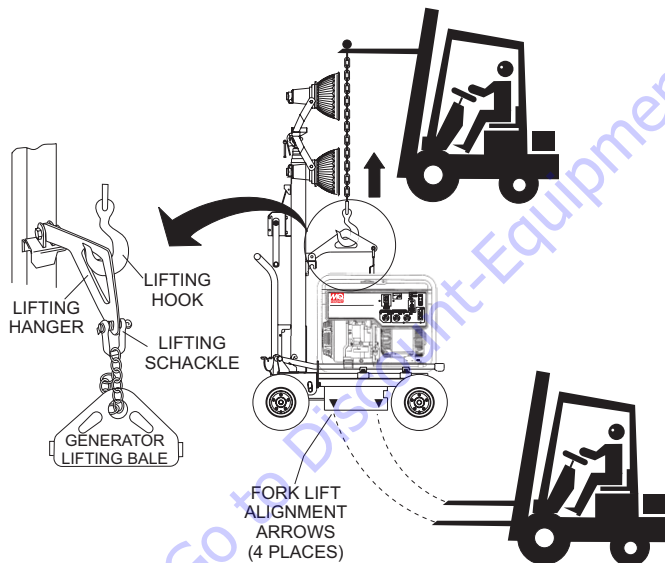
LOADING AND UNLOADING

Cart Type - With Lifting Hook

If lighting system is equipped with a transport lifting hook, refer to the following safety information.

CAUTION

- Before lifting, make sure that lighting system parts are not damaged and screws are not loosened or lost.
- **ALWAYS** make sure crane or lifting device has been properly secured to lifting hook of the equipment.
- **NEVER** lift the equipment while lighting system is running.
- Make sure the mast is completely lowered before lifting the lighting system.
- Use adequate lifting cable (wire or rope) of sufficient strength.
- Use one point suspension hook and lift straight upwards.



- Never allow any person or animal to stand underneath the equipment while lifting.
- **DO NOT** lift machine to unnecessary heights.

Cart Type - No Lifting Hook

If lighting system is not equipped with a transport lifting hook and the mast is removable, refer to the following safety information.

- Before lifting, make sure that the mast and lamp are removed as described in the manual.
- The cart can be safely lifted by two persons to the transport vehicle.

TRANSPORTING SAFETY

NOTICE

- When transporting the lighting system, if applicable, always place in **stow position** and place mast in its carrying case.
- **ALWAYS** remove balloon/lamp assembly from the mast when transporting lighting system. This will prevent damage to the bulb due to vibration.
- **NEVER** leave the balloon/lamp exposed during transport. Exposure to excess wind or rain could damage the balloon's nylon cover.
- **ALWAYS** place balloon inside its protective cover during transport. Be sure the cover is secured tightly around the balloon/lamp assembly.

SPECIFICATIONS

Table 1. Specifications

| | |
|--|--|
| Model | GBW/GBS/GBP |
| Input Voltage | 90-130, 170-240 VAC |
| Max. Current | 9.3 A @ 120 V |
| Frequency | 50-60 Hz Single-Phase |
| Appropriate Generator | 1200 Watts |
| Lamp | |
| Lamp Type | 1,000 Watt Metal Halide |
| Total Luminous Flux | 99,750 lm |
| Standard Balloon Diameter | 47.2 in (1200 mm) |
| Light Coverage (360°) | 150 ft (45.7 meters) |
| Lamp Surface Temperature (Longitudinal) | 476.6° F (247° C) max |
| Lamp Surface Temperature (Transversal) | 417.2° F (214° C) max |
| Dimensions (L x W x H) Storage (Lamp) | 7.9 x 8.7 x 27.0 in. (200 x 220 x 685 mm) |
| BALLOON | |
| Balloon Dimensions (L x W x H) | 47.2 x 47.2 x 25.6 in. (1200 x 1200 x 650 mm) |
| Balloon Material | Polyester |
| Balloon Heat-Resisting Temperature | 320-356° F (160-180° C) |
| Internal Balloon Temperature | 126° F (52° C) |
| Balloon Water Resistance | 1500 mm H ₂ O |
| FAN MOTOR | |
| Fan Motor Voltage | 24 VDC |
| Fan Motor Current | 1.2 A |
| Fan Motor Pressure | 0.324 kPA (0.047 psi) |
| PENTAPOD (GBW only) | |
| Outriggers | 5 |
| Mast - Number of Stages | 3 (air shock absorbers) |
| GBW Dimensions (L x W x H) Upper Working Position | 54.0 x 56.7 x 84.4 to 136.8 in (1,370 x 1,440 x 2,145 to 3,475 mm) |
| Dimensions (L x W x H) Storage (Pentapod) | 8.7 x 8.7 x 40.0 in (220 x 220 x 1015 mm) |
| Weight | 57.6 lb (21.5 kg) |
| OFFSET POLE (GBS Only) | |
| Mast - Number of Stages | 2 stages (offset and straight pole) |
| Dimensions (L x W x H) Upper Working Position | 47.2 x 50.6 x 78.0 in (1200 x 1285 x 1980 mm) |
| Dimensions (L x W x H) Storage | Straight Pole: 39.4 in (1,000 mm) Offset Pole: 26.9 x 16.7 x 2 in (683 x 425 x 52 mm) |
| Weight | 44.2 lb (16.5 kg) |

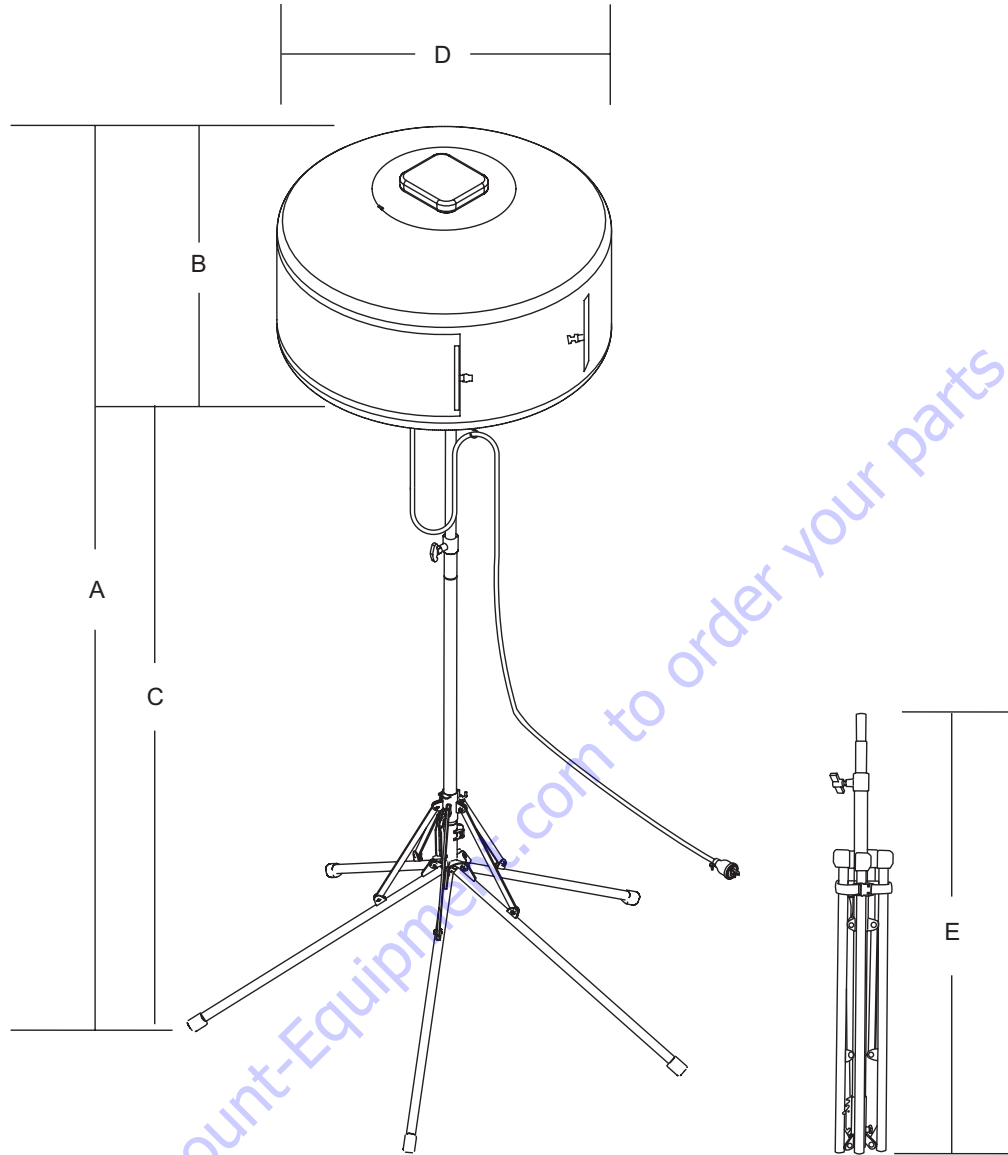


Figure 1. GBW Dimensions

| Table 2. GBW Dimensions | | |
|-------------------------|---|-----------------------|
| Reference Letter | Description | Dimension inches (mm) |
| A | Total Max. Height (with Standard Balloon) | 136.8 (3,475) |
| B | Standard Balloon Height | 25.6 (650) |
| C | Mast Height (without Balloon) | 111.0 (2,820) |
| D | Standard Balloon Diameter | 47.2 (1,200) |
| E | Mast Height (Stowed) | 40.0 (1,015) |

DIMENSIONS (GBS)

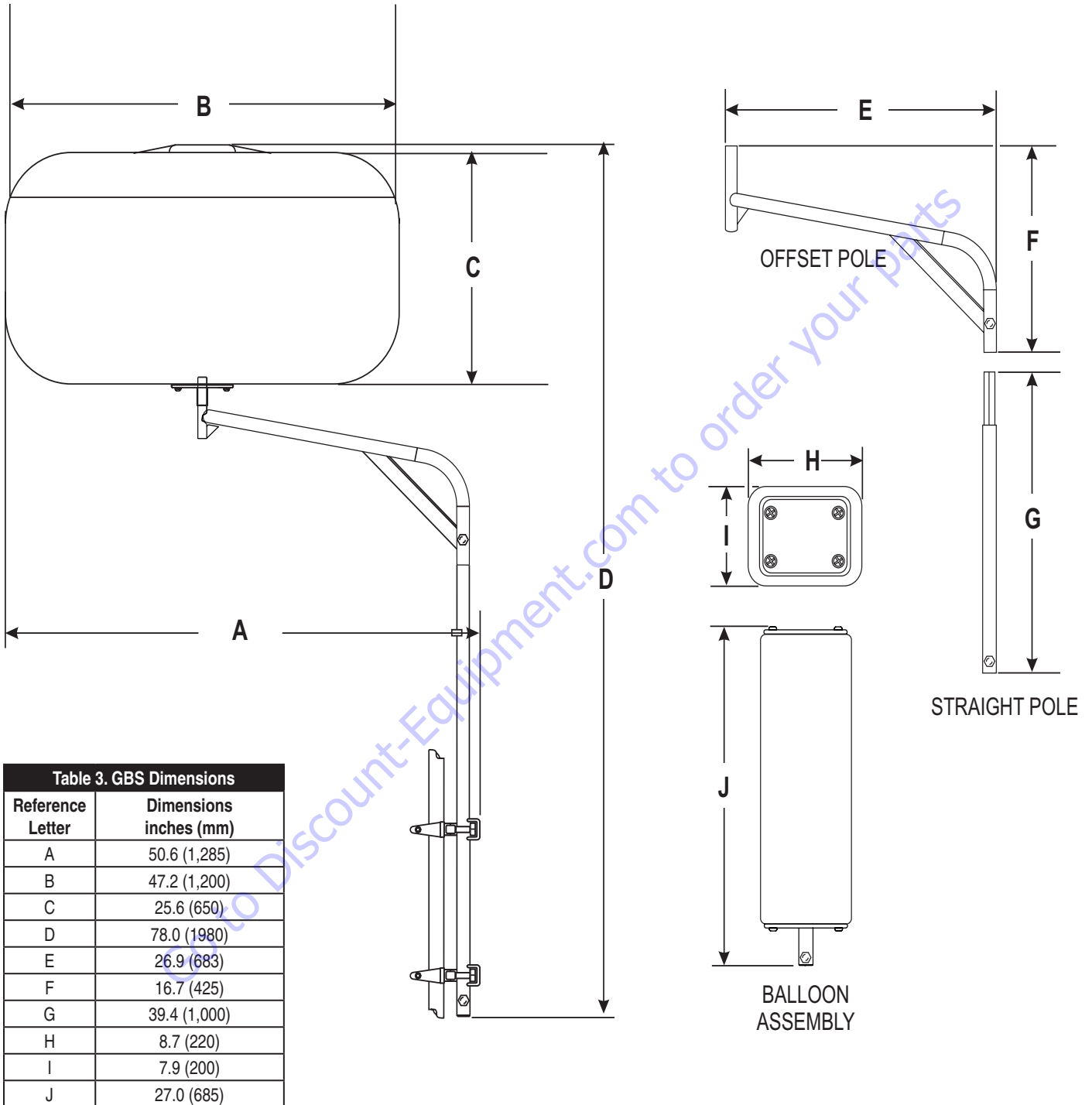


Figure 2. GBS Dimensions

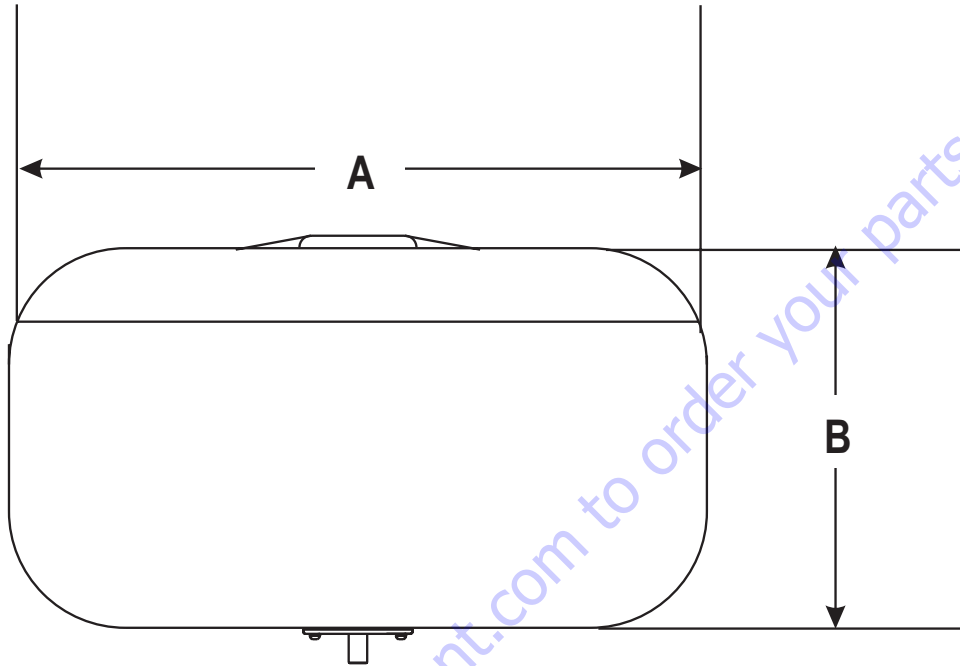
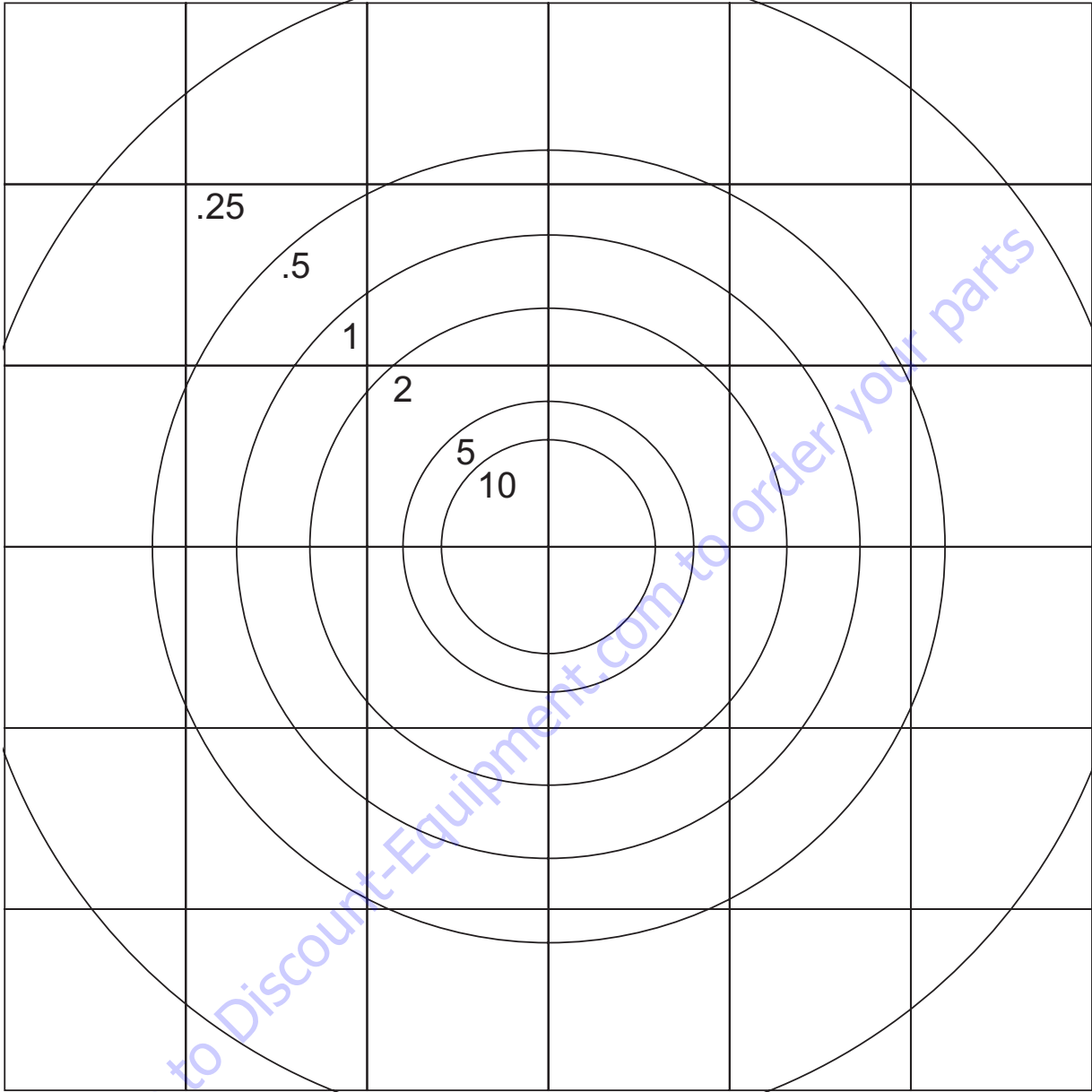


Figure 3. GBP Dimensions

| Table 4. GBP Dimensions | |
|-------------------------|-----------------------|
| Reference Letter | Dimension inches (mm) |
| A | 47.2 (1,200) |
| B | 25.6 (650) |

FOOTCANDLE PLOT



VALUES LISTED AS FOOTCANDLES

SCALE: 1 GRID = 50 FT. (15.24 METERS)

Figure 4. Illumination Range

GENERAL INFORMATION

The Multiquip GloBug GBW, GBS, GBP are general-purpose, portable, glare-free lighting systems intended for emergency and remote lighting needs. It is universally adaptable to all AC power supplies and accepts 50/60 Hz, 100-240 V.

The GBP (also included with the GBW and GBS) provides 360° glarefree illumination. The balloon is self-inflating and easy to install and inflate in less than 20 seconds. It uses a single 1,000 watt lamp with pure white light for maximum illumination with a light coverage of up to 150 feet. The balloon is self-inflating and easy to install and inflate in less than 20 seconds.

The GBW has a three-stage mast that extends to a height of up to 13 feet and 2 inches. The GBW has five outriggers (pentapod) for great stabilization.

The GBS is designed to be attached to an external piece of equipment such as a paver. The system is easy to assemble and includes poles and mounting brackets.

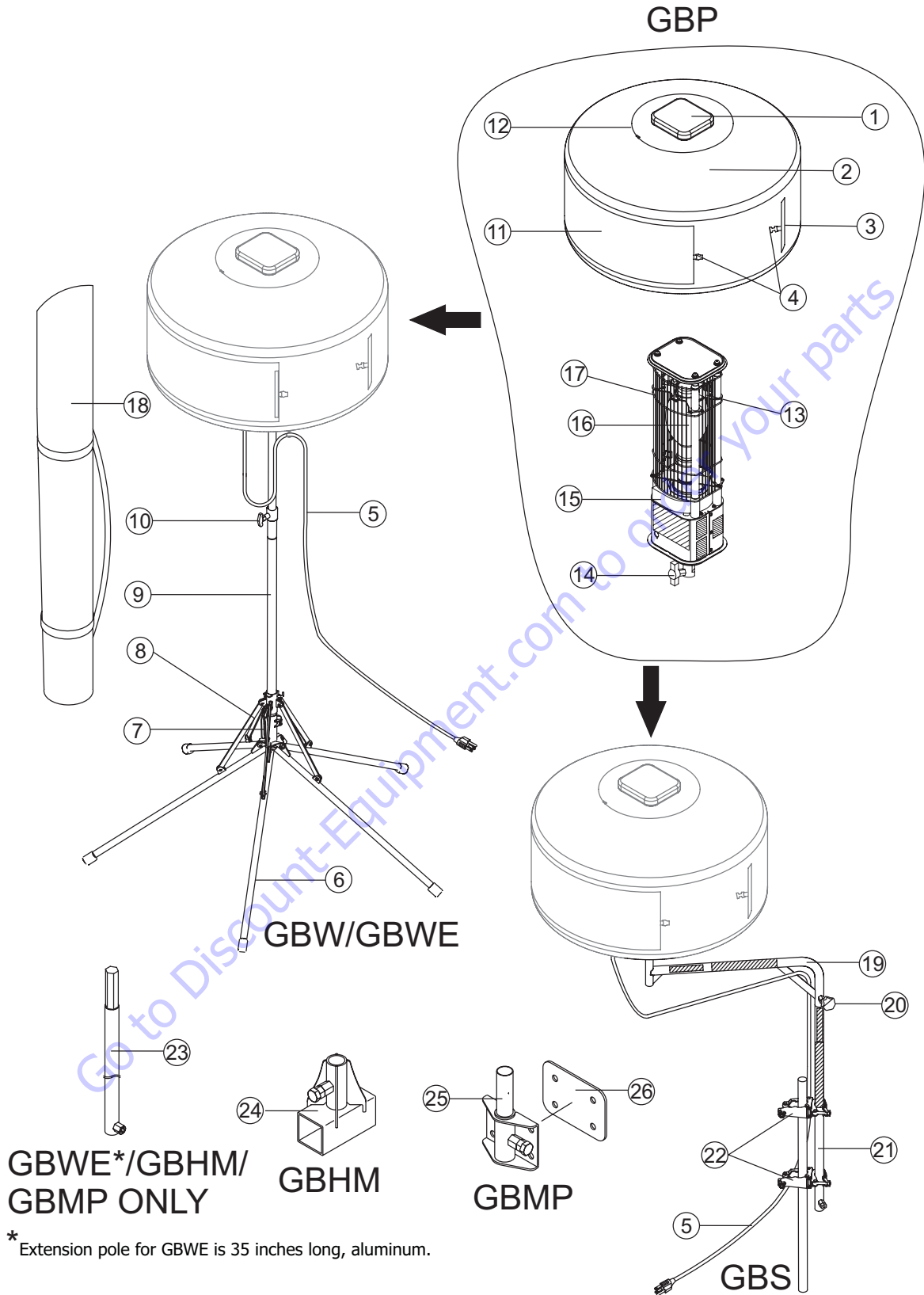
The GBHM Hitch Mount can be used to attach a GBP to a hitch on a truck.

The GBMP Plate Mount can be used to attach a GBP to a trailer.

If an extension cord is necessary to connect to a power source, refer to Table 5 to select the proper length.

Table 5. Extension Cord Gauge Selection

| Ampere Rating Range | Volts | Length of Cord in Feet | | | | | | | | |
|---------------------------|-------|------------------------|---------|---------|---------|---------|---------|---------|---------|----------|
| | 115V | 25 Ft. | 50 Ft. | 100 Ft. | 150 Ft. | 200 Ft. | 250 Ft. | 300 Ft. | 400 Ft. | 500 Ft. |
| | 230V | 50 Ft. | 100 Ft. | 200 Ft. | 300 Ft. | 400 Ft. | 500 Ft. | 600 Ft. | 800 Ft. | 1000 Ft. |
| 0 - 2 | | 18 | 18 | 18 | 16 | 16 | 14 | 14 | 12 | 12 |
| 2 - 3 | | 18 | 18 | 16 | 14 | 14 | 12 | 12 | 10 | 10 |
| 3 - 4 | | 18 | 18 | 16 | 14 | 12 | 12 | 10 | 10 | 8 |
| 4 - 5 | | 18 | 18 | 14 | 12 | 12 | 10 | 10 | 8 | 8 |
| 5 - 6 | | 18 | 16 | 14 | 12 | 10 | 10 | 8 | 8 | 6 |
| 6 - 8 | | 18 | 16 | 12 | 10 | 10 | 8 | 6 | 6 | 6 |
| 8 - 10 | | 18 | 14 | 12 | 10 | 8 | 8 | 6 | 6 | 4 |
| 10 - 12 | | 16 | 14 | 10 | 8 | 8 | 6 | 6 | 4 | 4 |
| 12 - 14 | | 16 | 12 | 10 | 8 | 6 | 6 | 6 | 4 | 2 |
| 14 - 16 | | 16 | 12 | 10 | 8 | 6 | 6 | 4 | 4 | 2 |
| 16 - 18 | | 14 | 12 | 8 | 8 | 6 | 4 | 4 | 2 | 2 |
| 18 - 20 | | 14 | 12 | 8 | 6 | 6 | 4 | 4 | 2 | 2 |



* Extension pole for GBWE is 35 inches long, aluminum.

Figure 5. GBW/GBS/GBP Components

COMPONENTS

Figure 5 shows the location of the controls and components for the GBW Lighting System. The functions of each control is described below:

1. **Balloon Cover** — Stores balloon when GBW is not in use. Allow a sufficient amount of time for the lamp to cool down before storing balloon. Possibility exists of balloon getting burned.
2. **Balloon** — Made of heat resistant polyester, with a diameter of 47.2 inches (1,200 mm). Balloon is self-inflating and inflates in less than 20 seconds.
3. **Velcro** — Used to easily attach optional message strip to the balloon.
4. **Buckle** — Used to hold the balloon together when storing inside the cover.
5. **AC Power Cable** — Connects to the AC power source (generator).
6. **Pentapod** — Supports and holds up the GBW.
7. **Latch** — To secure the pentapod, place the lock in the upper or lower position.
8. **Stay** — Supports the mast against the pentapod.
9. **Mast** — This mast is comprised of three separate stages. The mast can be raised in excess of 8 feet (without balloon). When raising the mast, always be on the lookout for overhead obstructions.
10. **Mast Bolt** — Loosen to raise mast and tighten to keep the mast in place when raised to the desired height.
11. **Message Strip (OPTIONAL)** — A 12 x 43 inch message strip (GBBALD1) may be attached to the balloon. The message strip can be purchased separately.
12. **Zipper** — Zips up balloon to completely close it when lamp is in place.
13. **Lamp Holder** — Holds lamp in place. Lamp is screwed into socket.
14. **Lamp/Balloon Bolt** — Used to tighten mast when attached to the lamp/balloon assembly.
15. **Fan Motor (Blower)** — Inflates the balloon as soon as power is applied.
16. **Lamp** — 1000 watt metal halide bulb with pure white light for maximum illumination.
17. **Lamp Guard** — Protects the lamp from being hit by objects and the balloon from touching the lamp.
18. **Carrying Case** — Use this case to store the pentapod when transporting or when not in use.
19. **Offset Pole** — Supports lamp assembly when attached to the straight pole.
20. **Knob** — Secures the offset pole to the straight pole when tightened.
21. **Straight Pole** — Used in conjunction with the offset pole to support the lamp assembly.
22. **Clamps** — Used to attach the straight pole to an external support. These clamps must be tightened securely to prevent the light assembly from falling off.
23. **Extension Pole** — Extends mast height by 35 inches. For GBHM and GBMP, 2 poles are included to support the desired balloon assembly.
24. **Hitch Mount Assembly** — Used to attach balloon assembly to a hitch on a truck or similar vehicle.
25. **Plate Mount Assembly** — Used to attach balloon assembly to a trailer or similar vehicle.
26. **Plate** — Attaches directly to a trailer to hold plate mount assembly.

GBW SETUP

1. Set the GBW on a firm level surface where there is enough space around the pentapod for the outriggers to be deployed.
2. Remove the pentapod from the carrying case. The pentapod outriggers are secured together with a strap. See Figure 6. Squeeze both tabs on the buckle to unlock strap and release pentapod outriggers.

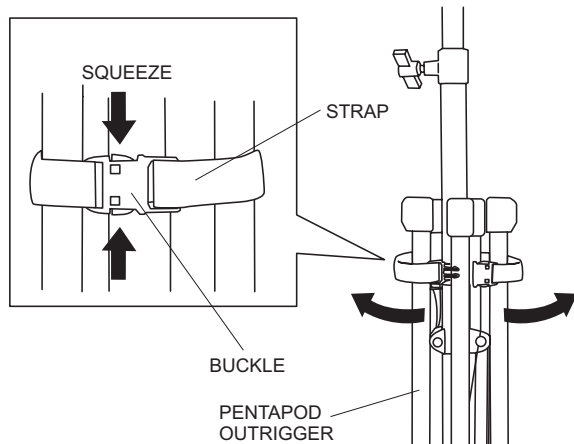


Figure 6. Releasing Pentapod Buckle

3. Lift mast up and deploy the pentapod as shown in Figure 7.

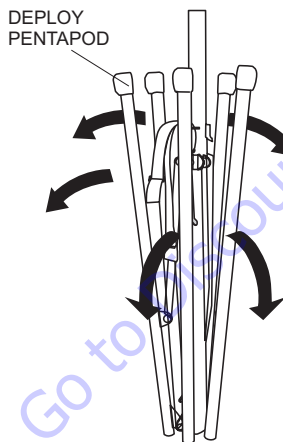


Figure 7. Deploying the Pentapod

4. With pentapod fully deployed, hook the latch to lock the pentapod in place. The latch can be hooked in the

upper or lower position. Placing the lock in the upper position will provide 1 foot (305 mm) more height. See Figure 8.

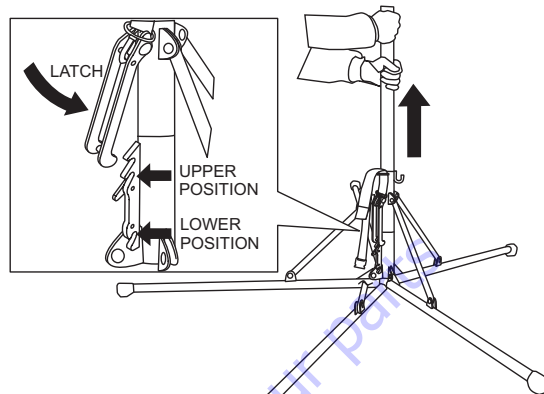


Figure 8. Securing the Pentapod

5. If desired, attach extension pole to the top of the mast as shown in Figure 9.

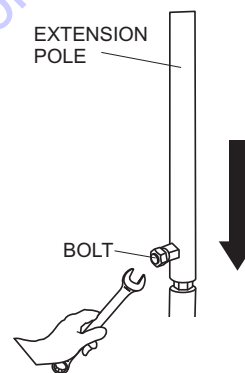


Figure 9. Attaching Extension Pole

6. To improve stability and prevent tipping of the lighting system, place sand bags on the outriggers or similar weight on the weight hook as shown in Figure 10.

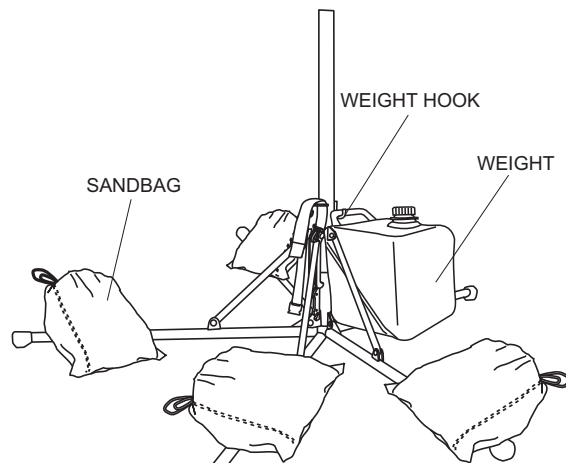


Figure 10. Sand Bags and Weight

GBS SETUP

1. Attach one of the clamps that come with the GBS to the external support pole. The clamps may be attached to vertical, horizontal, or angled pole. See Figure 11.

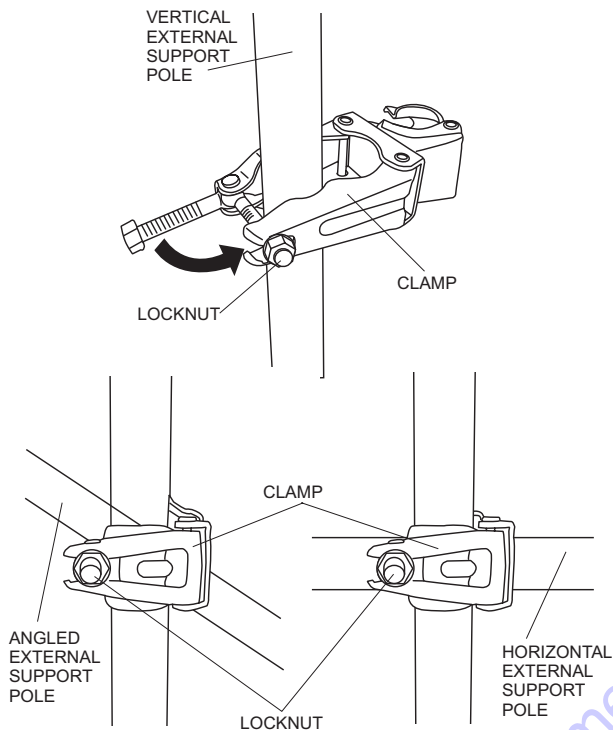


Figure 11. Clamp Attachment

2. Using a 19 mm wrench, tighten the locknut securely. See Figure 11.
3. Attach the other clamp to the external support pole about 7 inches (140 mm) lower than the previously installed clamp. See Figure 12. If using horizontal external support poles, a second pole is needed.

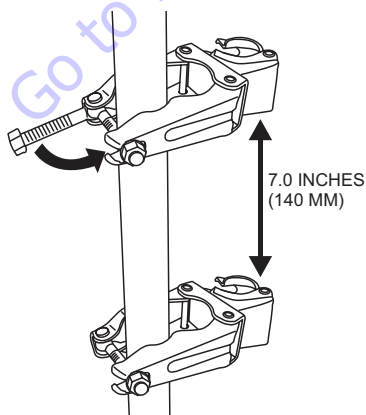


Figure 12. Distance Between Clamps

4. Attach the straight pole to the clamps. Tighten locknuts on both clamps. See Figure 13.

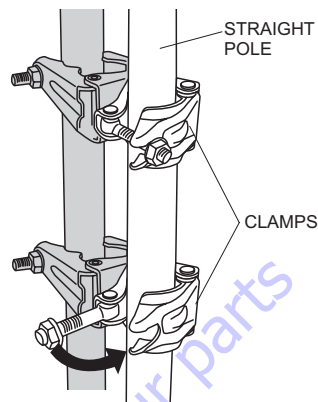


Figure 13. Straight Pole Attachment

WARNING

Always securely tighten the locknuts when assembly is used to prevent the lighting system from falling off which can cause injury or equipment damage.

5. Place the offset pole (or an optional straight pole, if desired) on top of the straight pole. Tighten knob or bolt securely. See Figure 14.

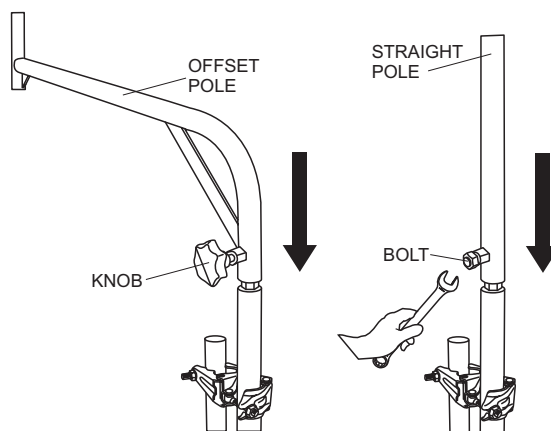


Figure 14. Offset Pole Attachment

WARNING

Always securely tighten the knob on the offset or the bolt on the straight pole when assembly is used to prevent the lighting system from falling off which can cause injury or equipment damage.

BALLOON INSTALLATION (GBW/GBS)

1. Insert the balloon assembly into the mast. Tighten the T-bolt securely. See Figure 15.

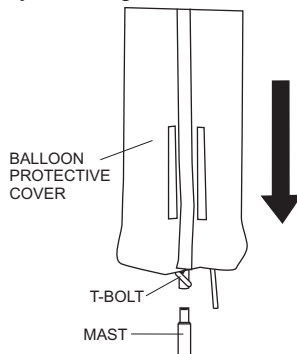


Figure 15. Installing the Balloon

2. Unsnap the three buttons on the bottom of the balloon cover and unzip the cover. See Figure 16.

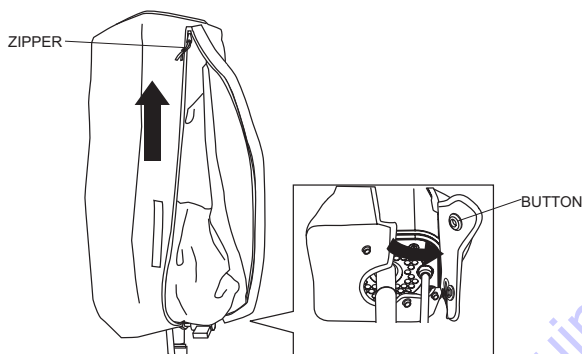


Figure 16. Unzipping Balloon Cover

3. Fold the balloon cover into itself and zip it up. See Figure 17.

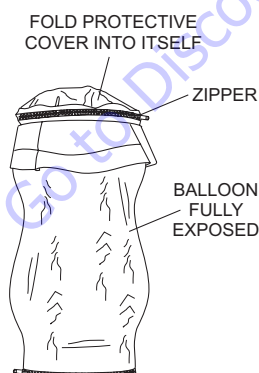


Figure 17. Folding Balloon Cover

4. Secure the power cable by hooking it to the eyelet on the bottom of the balloon as shown in Figure 18.

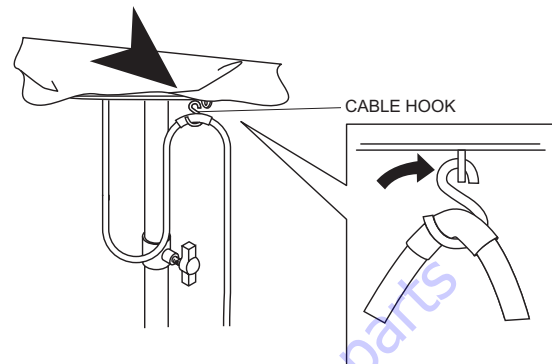


Figure 18. Securing Cable with Hook

5. Release the buckle on the belt holding the balloon together. See Figure 19.

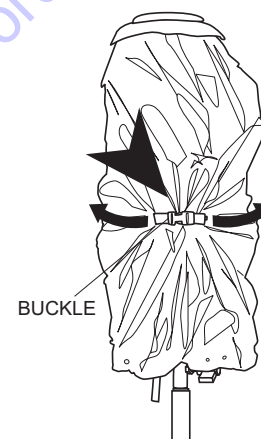


Figure 19. Releasing Buckle

GBHM INSTALLATION

The GBHM Hitch Mount can be used to attach a balloon/lamp assembly (GBP) to the hitch of a truck or similar vehicle. See Figure 20 for installation procedure.

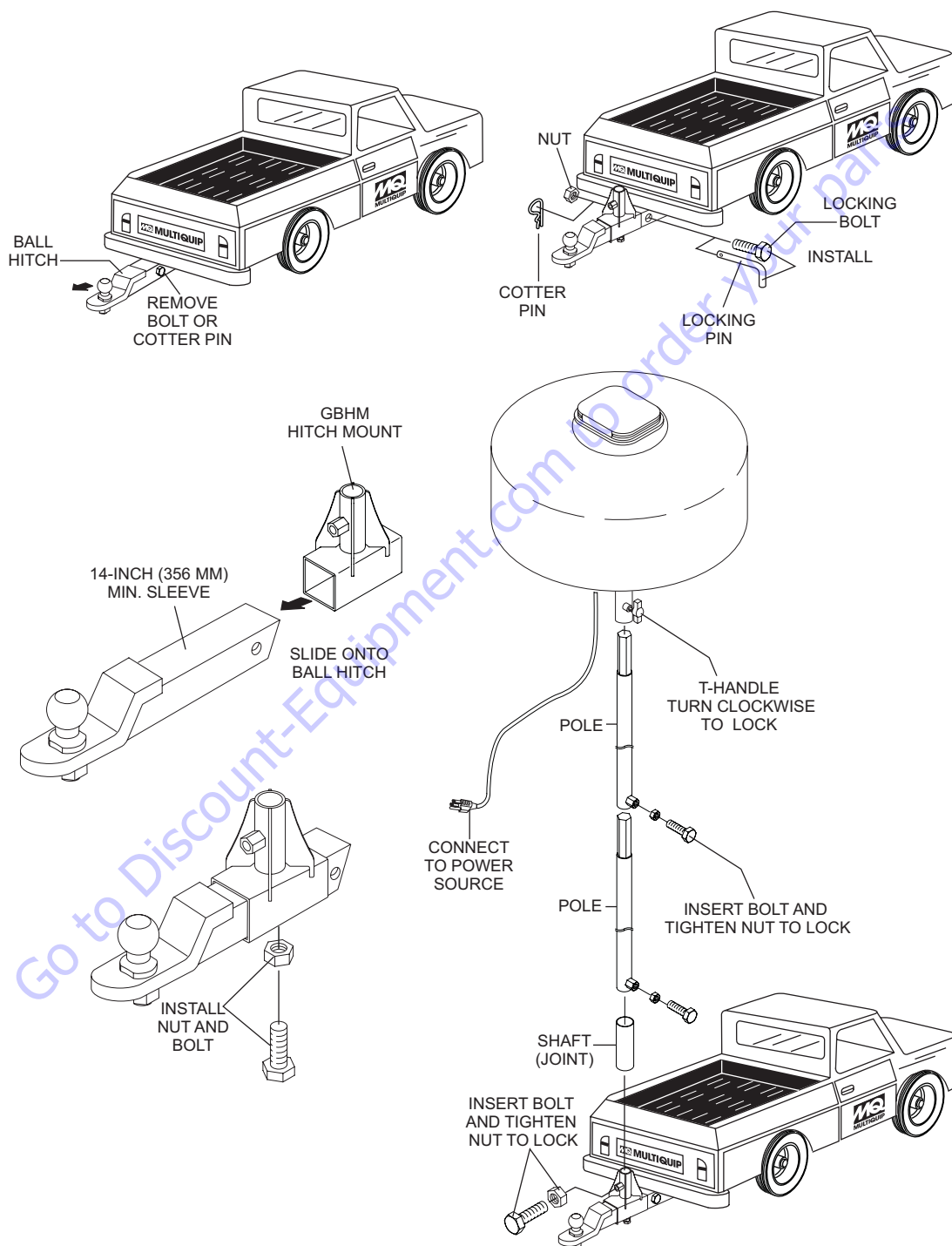


Figure 20. GBHM Installation

GBMP INSTALLATION

The GBMP Plate Mount is attached to a trailer or similar vehicle to support the balloon/lamp assembly (GBP). See Figure 21 for installation procedure.

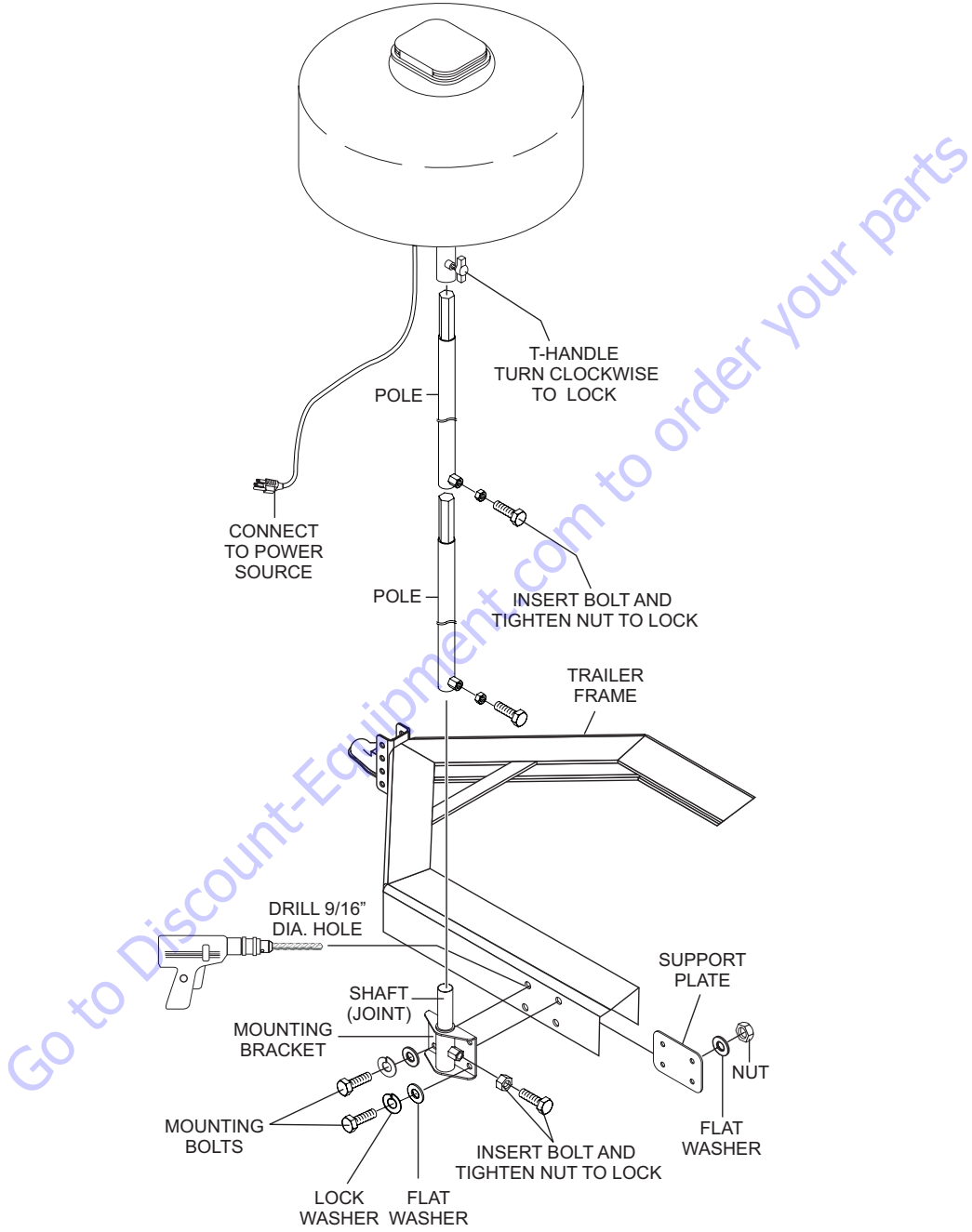
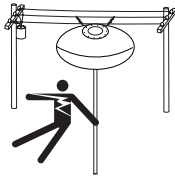


Figure 21. GBMP Installation

RAISING THE MAST (GBW)

⚠ DANGER



ALWAYS make sure the area above the lighting system is open and clear of overhead power lines and other obstructions. Contact with overhead power lines or other obstructions could result in equipment damage, **electrical shock, electrocution and even death.**

⚠ CAUTION

When raising or lowering the mast, keep hands and fingers clear of the mast sections to prevent hands and fingers from getting pinched.

1. Raise the second mast to the desired height and tighten the T-bolt securely. See Figure 22.

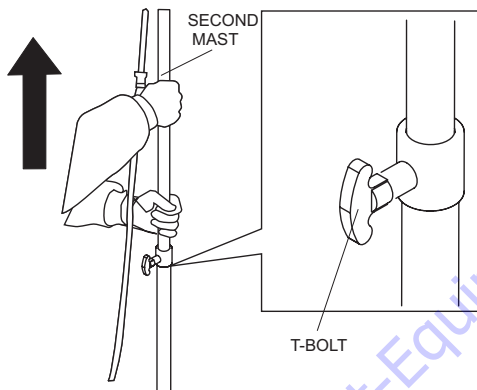


Figure 22. Raising the Second Mast

2. To raise the mast higher, raise the third mast until the lock/release tab pops out. The tab will automatically rest on the second mast. See Figure 23.

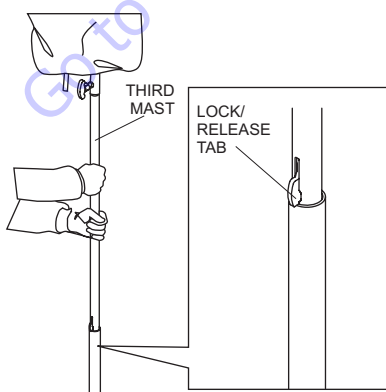


Figure 23. Raising the Third Mast

LOWERING THE MAST (GBW)

1. Loosen the T-bolt holding the second mast and push mast all the way down. Tighten T-bolt securely. See Figure 24.

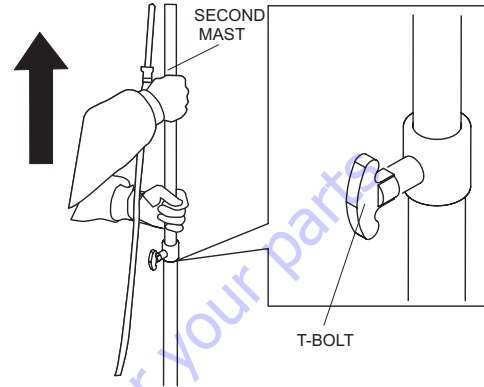


Figure 24. Lowering Second Mast

2. Push the lock/release tab on the third mast to release it and lower third mast. See Figure 25.

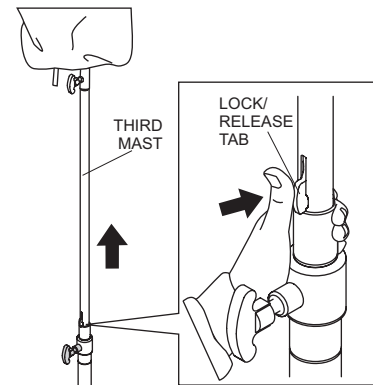


Figure 25. Lowering Third Mast

APPLYING POWER

1. Before applying power, make sure that the Power **ON/OFF** switch (Figure 26) is in the **OFF** position.

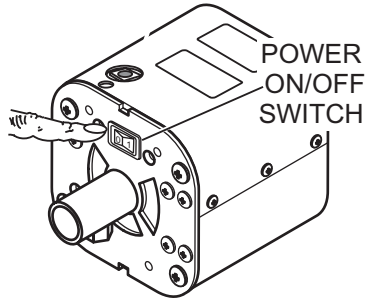


Figure 26. ON/OFF Switch

1. If using a portable generator, plug the AC power cable to the 120 VAC receptacle on the generator used. See Figure 27.

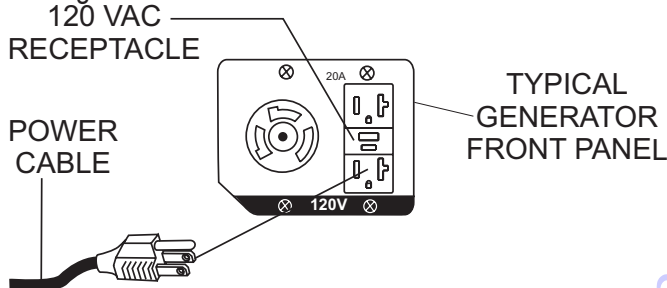


Figure 27. Connecting to Generator

2. Start the generator as indicated in the generator manual.
3. If using power source other than a portable generator, plug the AC power cord to a 120 VAC, receptacle. See Figure 28.

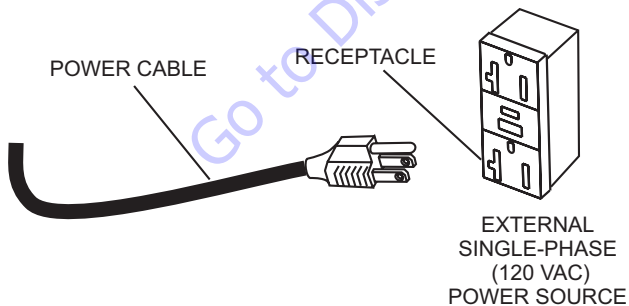


Figure 28. Connecting to 120 VAC Receptacle

4. Turn on the Power **ON/OFF** switch (Figure 26). The balloon will start to inflate and the lamp will turn on.

NOTICE

If the power cable is accidentally unplugged from the power source, wait three to five minutes before reconnecting the power. This will allow time for the fan to reset and ensure balloon will inflate properly when power is reconnected.

SHUTDOWN

1. Turn off the power switch of the generator.
2. Turn off the Power **ON/OFF** switch. The balloon should start to deflate and the lamp will turn off.
3. Disconnect the AC power cable from the generator.

DIMMING/SHUTTING DOWN LAMP ONLY

1. Unzip the bottom -of the balloon. See Figure 29.

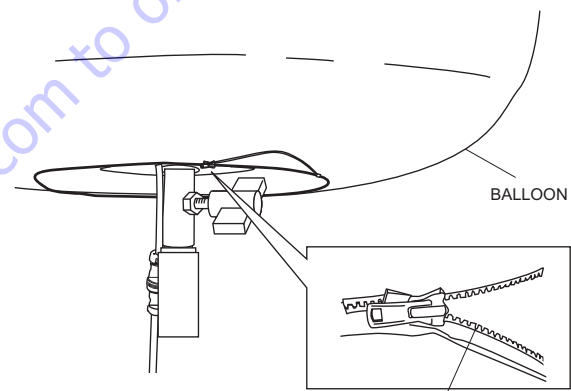


Figure 29. Unzipping Balloon

2. To dim the lamp, press the dimmer switch lightly. LED will blink red and the lamp will dim to about 75% brightness. The balloon will remain deployed.

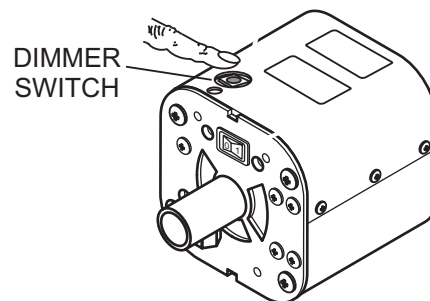


Figure 30. Dimmer Switch

3. To return to 100% brightness, press the dimmer switch again. The LED will turn off.

- To turn off the lamp, press and hold the dimmer switch for 3 seconds. The LED will light red and the lamp will turn off. The balloon will remain deployed.

NOTICE

To turn on lamp again, after it was turned off with the dimmer switch, turn off the Power **ON/OFF** switch. Wait three to five minutes then turn the **ON/OFF** switch back on. The lamp will now light back to 100% brightness.

STORAGE (GBW)

NOTICE

Allow about 15 to 20 minutes for the lamp to cool down before storing the GBW. The possibility exists of the balloon getting burned if it touches a hot lamp.

- Unhook the AC power cable from the eyelet at the bottom of the balloon.
- Make sure the mast is completely lowered as described in **LOWERING THE MAST** section.
- Lock the buckle to secure the balloon together.
- Unzip the zipper on the protective cover and pull down cover over the balloon/lamp assembly.
- Loosen the T-bolt on the balloon/lamp assembly and lift balloon/lamp assembly from the mast.
- Lift mast while pulling up strap (Figure 31).

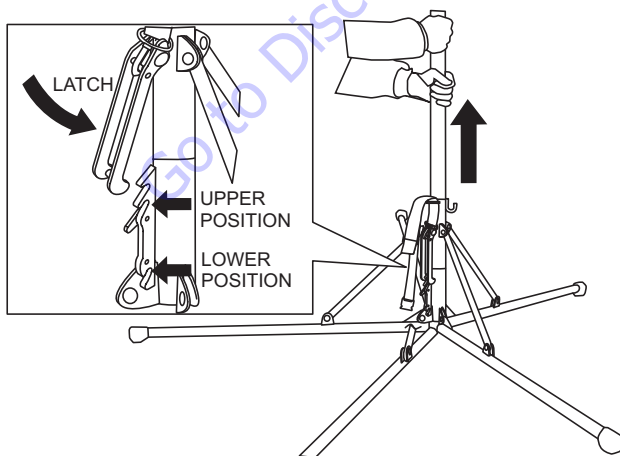


Figure 31. Unlocking the Latch

- Continue pulling upward on the mast until all the pentapod legs are fully retracted and are stowed. See Figure 32.

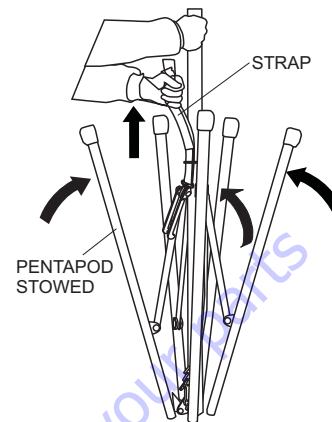


Figure 32. Stowing the Pentapod

- Once pentapod legs are all in stow position, wrap strap around all five legs and secure by locking the buckle. See Figure 33.

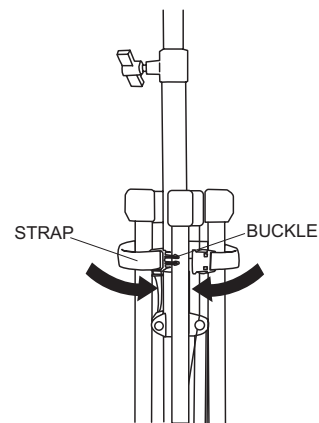


Figure 33. Locking Up Stowed Pentapod

- Place the stowed pentapod inside the carrying case. See Figure 34.

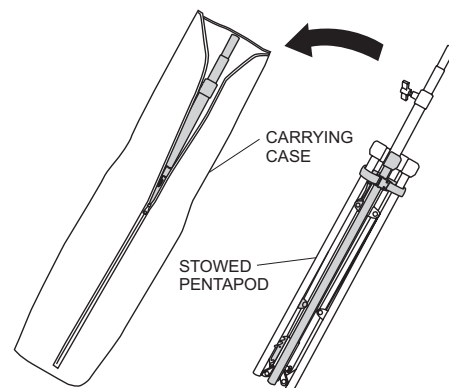


Figure 34. Storing in Carrying Case

REPLACING LAMP

! DANGER

Never attempt to replace lamp in a wet place. The possibility exists of electric shock.

! WARNING



Always allow sufficient time for the lamp to cool down before replacing. The possibility exists of severe burns if hot lamp is touched.

! CAUTION

Always shutdown power source and remove balloon assembly from mast when replacing a broken lamp. Utmost care should be taken in handling broken lamp. The possibility exists of serious injury from handling a broken lamp.

1. Unzip the zipper at the bottom of the balloon and roll the balloon up to expose the lamp. See Figure 35.

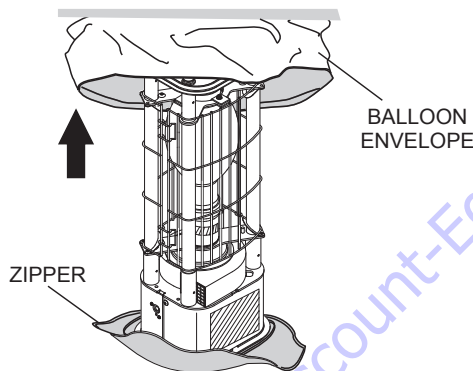


Figure 35. Exposing Balloon

2. Release the lamp guard locking tabs. See Figure 36.

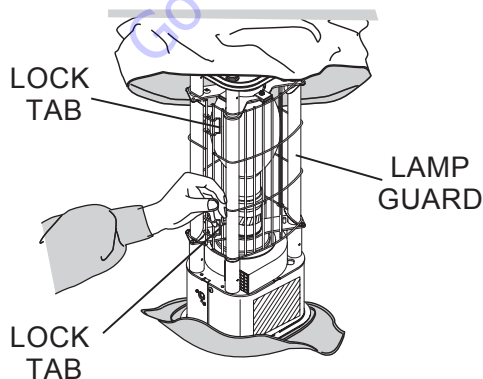


Figure 36. Removing Lamp Guard

3. Remove the lamp guard.
4. Press the tabs on the lamp holder and push up lamp holder to release it from lamp. See Figure 37.

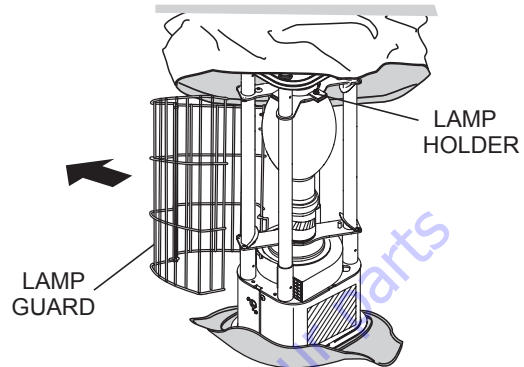


Figure 37. Lamp Holder

5. Remove the lamp from the lamp socket by turning lamp counterclockwise. See Figure 38.

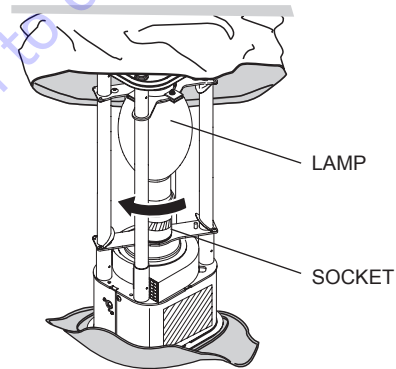


Figure 38. Removing Lamp

6. Install new lamp into socket and turn lamp in a clockwise direction until tight. See Figure 39.

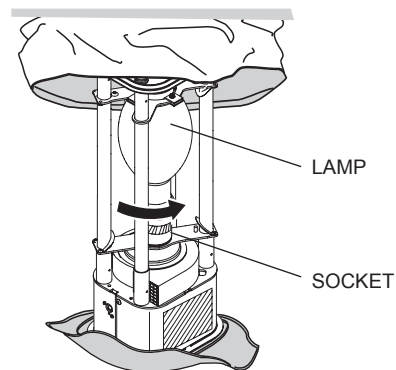


Figure 39. Installing New Lamp

NOTICE

Do not use excessive force when screwing the lamp to prevent lamp from breaking.

7. Secure lamp holder on top of the lamp.
8. Reinstall lamp guard.
9. Pull down balloon and zip the bottom zipper to cover lamp.

REPLACING BALLOON

1. Unzip the top and bottom of the balloon. See Figure 40.

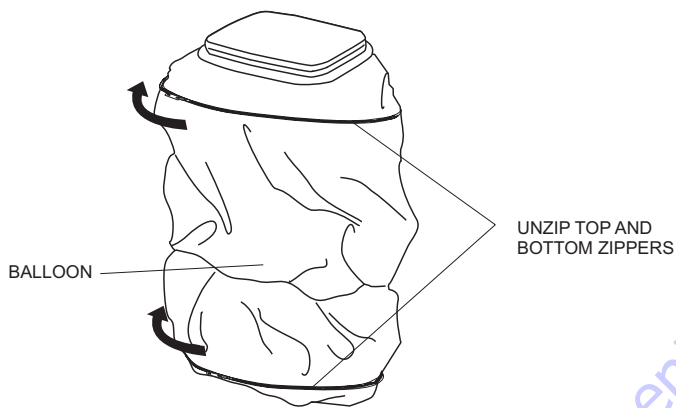


Figure 40. Unzipping Balloon

2. Slide out the old or worn balloon over the top of the lamp guard assembly. See Figure 41.



Figure 41. Removing Old Balloon

3. Slide in the new replacement balloon over the top of the lamp guard assembly. See Figure 42.

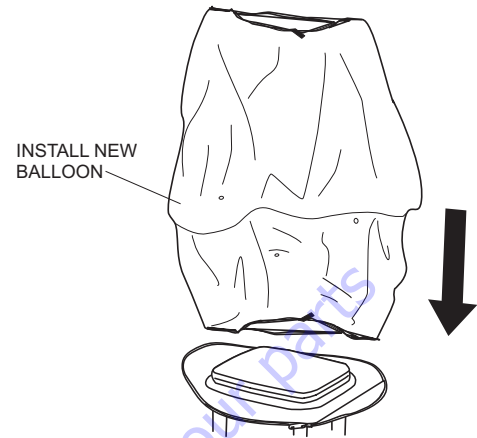


Figure 42. Replacing Balloon

4. Zip up the top and bottom of the new balloon. See Figure 43.

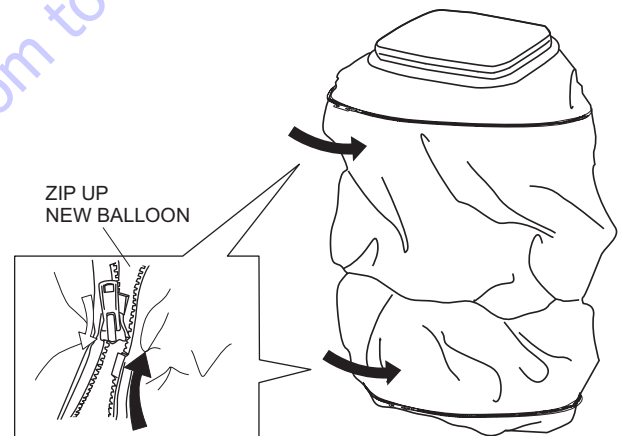


Figure 43. Zipping Up New Balloon

FILTER REPLACEMENT

1. Remove the balloon as described in the STORAGE section.
2. Turn the balloon/lamp assembly upside down to access the filter. See Figure 44.

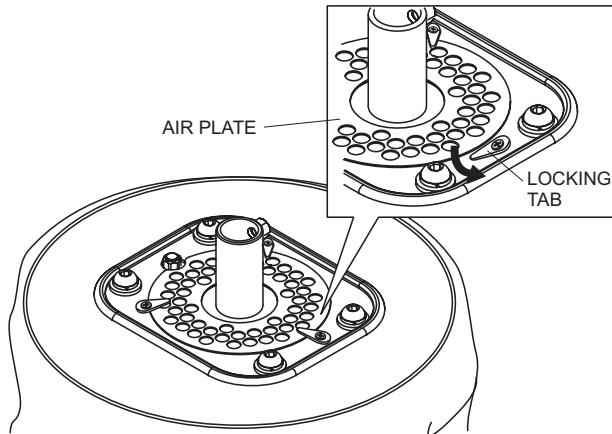


Figure 44. Accessing Filter

3. Turn the three locking tabs outwards to release the air plate. See Figure 44.
4. Remove the air plate and filter. See Figure 45.

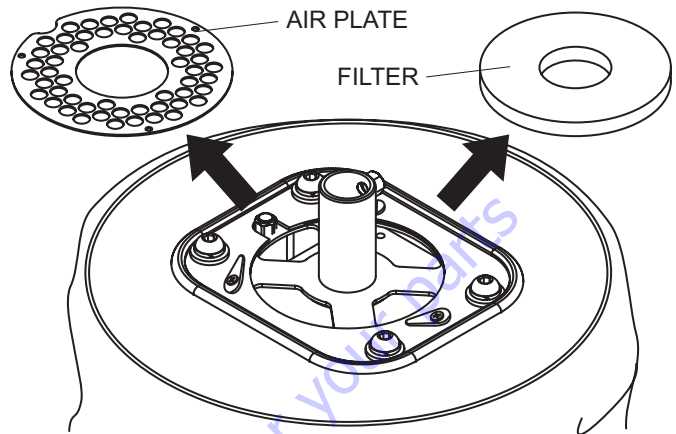


Figure 45. Filter Removal

5. Install a new filter and reinstall the air plate.
6. Turn the three locking tabs inwards to lock the air plate in place. See Figure 46.

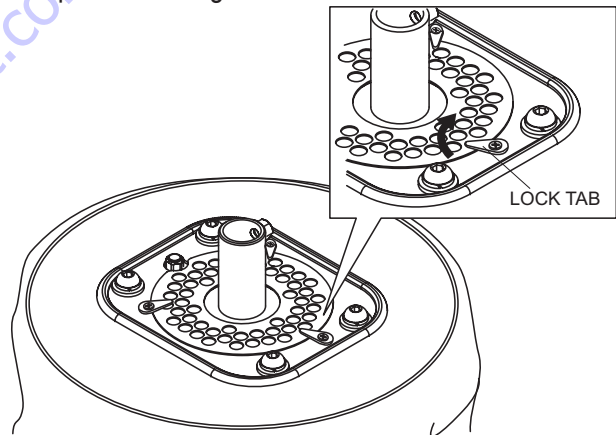


Figure 46. Locking Air Plate

Table 6. Troubleshooting

| SYMPTOM | POSSIBLE PROBLEM | SOLUTION |
|------------------------------------|--|--|
| Lamp does not light. | Is plug disconnected? | Plug in correctly. |
| | Is generator power switched off? | Turn on switch. |
| | Is lamp loose? | Screw lamp securely into socket. |
| | Is power connector disconnected or loose? | Connect disconnected connector. |
| | Are any other electric appliances (other than light tower) plugged into power source? | Unplug all other appliances. |
| | Is model of lamp incompatible? | Use genuine MQ lamp. |
| | Is lamp not cool enough to light again? (Interval of 5 to 10 minutes is required before turning on lamp again) | Wait for lamp to cool down. |
| Lamp only lights for a short time. | Is ambient temperature too high (more than 104° F (40° C)? | Move lamp where there is proper ventilation. |
| Balloon does not inflate. | Is fan motor (blower) not working properly? | Check and repair fan motor (blower). |
| | Is balloon envelope defective? | Repair or replace balloon envelope. |

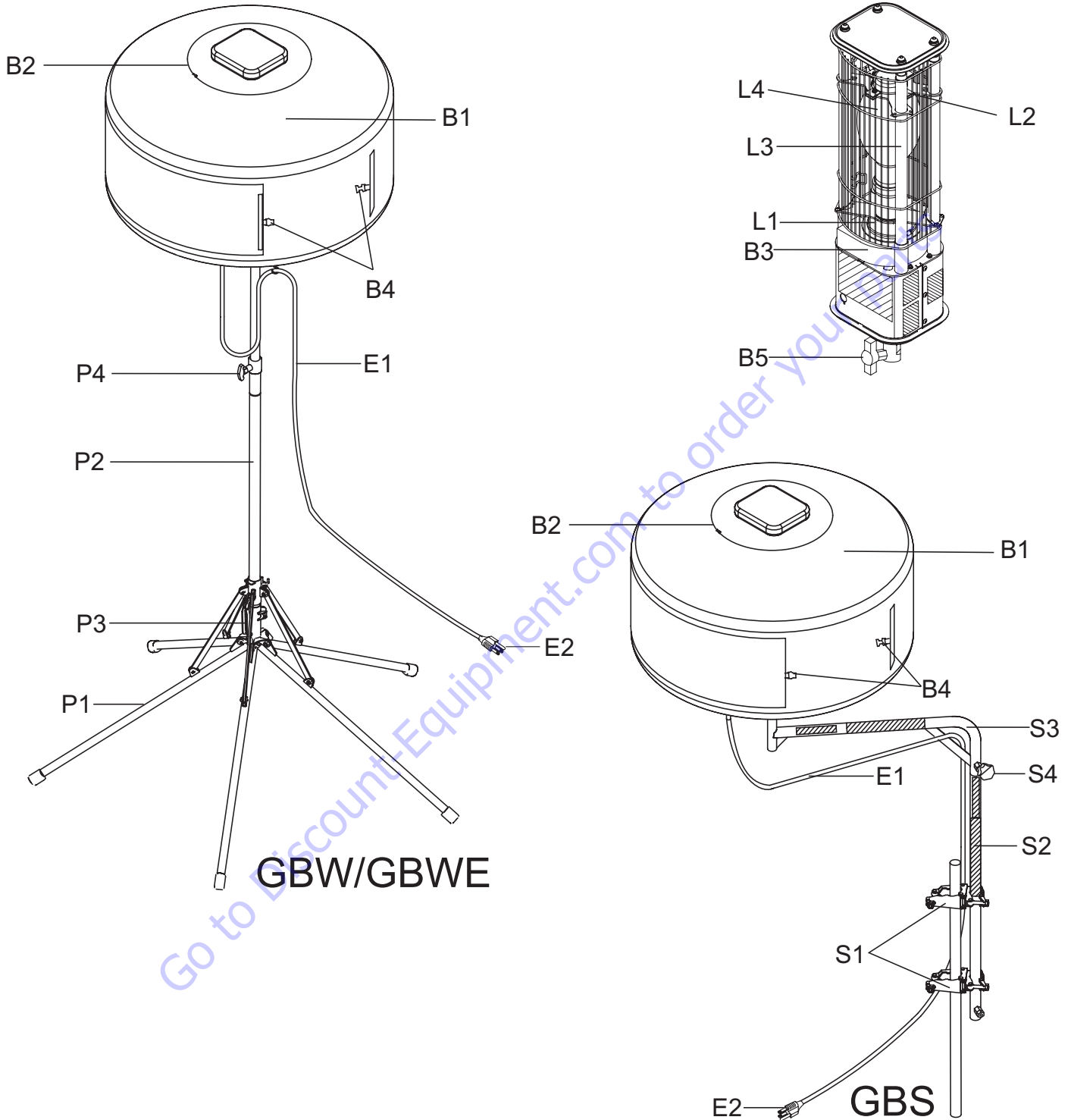


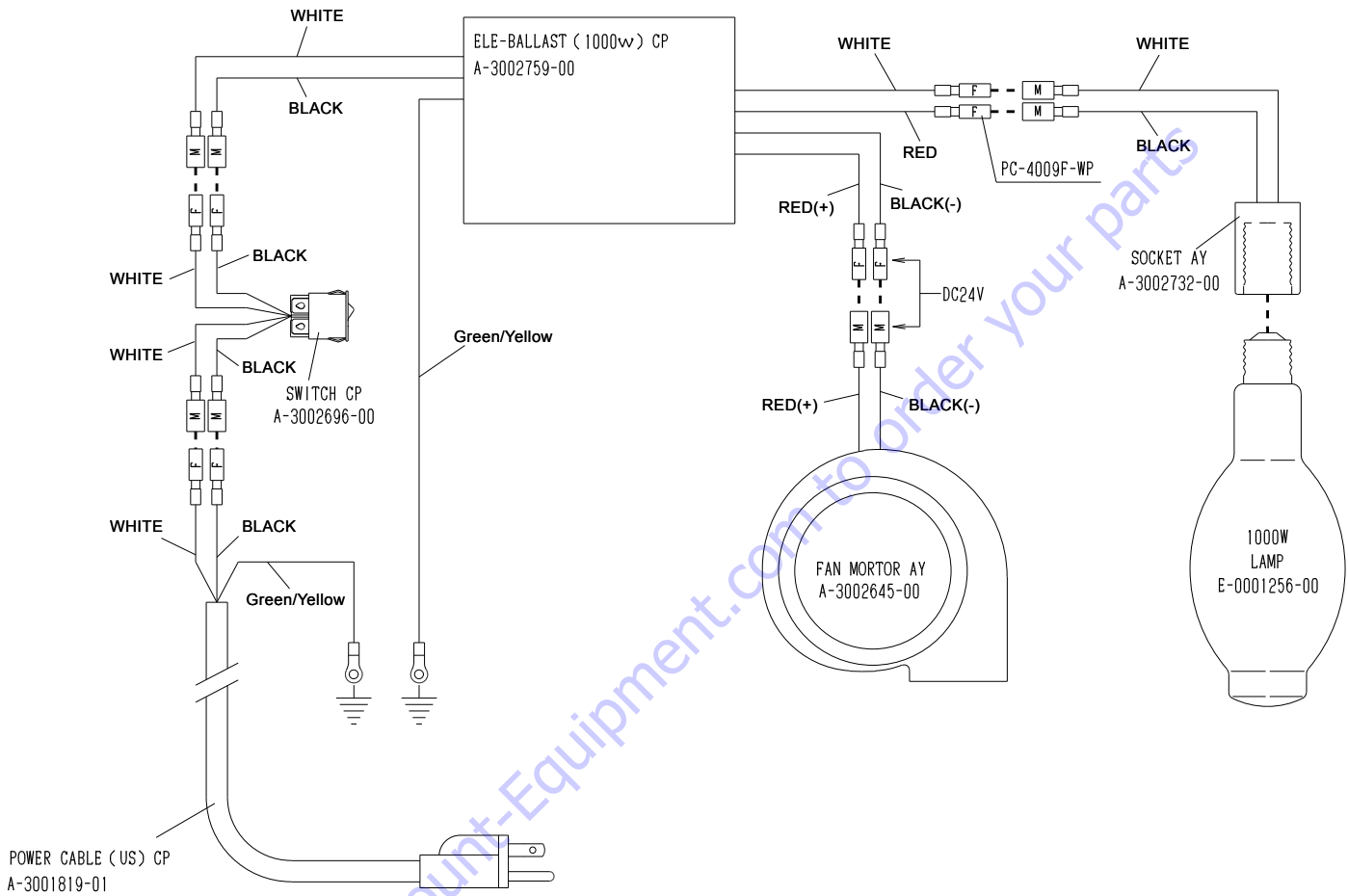
Figure 47. Maintenance Check Points

MAINTENANCE

Table 7. Periodic Check and Maintenance

| FIGURE | PART | CHECK ITEM | SOLUTION | | |
|-----------------|------|-------------------------|----------------------------------|---------------------|----|
| Lamp | L1 | Lamp (Base) | Lamp base loose? | Screw in securely. | • |
| | L2 | Lamp Holder | Lamp holder loose? | Replace. | # |
| | L3 | Pipe Frame | Pipe Frame skewed | Replace. | & |
| | L4 | Lamp | Defective lamp? | Replace. | • |
| Balloon | B1 | Balloon (Envelope) | Defective or dirty? | Replace. | • |
| | B2 | Zipper | Broken? | Replace. | • |
| | B3 | Fan Motor (Blower) | Not working properly? | Repair or replace. | \$ |
| | B4 | Buckle | Broken? | Replace. | \$ |
| | B5 | T-handle bolt (balloon) | Broken? | Replace. | • |
| Pentapod | P1 | Pentapod | Damaged or Not Working Properly? | Replace. | # |
| | P2 | Mast | Damaged or Not Working Properly? | Replace. | # |
| | P3 | Latch | Damaged? | Replace. | • |
| | P4 | Stopper | Damaged? | Replace. | • |
| Electric | E1 | Power cable | Defective or worn cable? | Replace. | • |
| | E2 | Plug | Damaged? | Replace. | # |
| Offset Pole | S1 | Clamp | Damaged? | Replace. | • |
| | S2 | Straight Pole | Damaged or Skewed? | Replace. | \$ |
| | S3 | Offset Pole | Damaged or Skewed? | Replace. | \$ |
| | S4 | Knob | Loose? | Tighten Securely. | • |
| • — Check daily | | # — Every 20 hours | \$ — Every 100 hours | & — Every 500 hours | |

WIRING DIAGRAM



EXPLANATION OF CODE IN REMARKS COLUMN

The following section explains the different symbols and remarks used in the Parts section of this manual. Use the help numbers found on the back page of the manual if there are any questions.

NOTICE

The contents and part numbers listed in the parts section are subject to change **without notice**. Multiquip does not guarantee the availability of the parts listed.

SAMPLE PARTS LIST

| NO. | PART NO. | PART NAME | QTY. | REMARKS |
|-----|----------|----------------------|------|---------------------|
| 1 | 12345 | BOLT | 1 | INCLUDES ITEMS W/% |
| 2% | | WASHER, 1/4 IN. | | NOT SOLD SEPARATELY |
| 2% | 12347 | WASHER, 3/8 IN. ... | 1 | MQ-45T ONLY |
| 3 | 12348 | HOSE | A/R | MAKE LOCALLY |
| 4 | 12349 | BEARING | 1 | S/N 2345B AND ABOVE |

NO. Column

Unique Symbols — All items with same unique symbol (@, #, +, %, or >) in the number column belong to the same assembly or kit, which is indicated by a note in the “Remarks” column.

Duplicate Item Numbers — Duplicate numbers indicate multiple part numbers, which are in effect for the same general item, such as different size saw blade guards in use or a part that has been updated on newer versions of the same machine.

NOTICE

When ordering a part that has more than one item number listed, check the remarks column for help in determining the proper part to order.

PART NO. Column

Numbers Used — Part numbers can be indicated by a number, a blank entry, or TBD.

TBD (To Be Determined) is generally used to show a part that has not been assigned a formal part number at the time of publication.

A blank entry generally indicates that the item is not sold separately or is not sold by Multiquip. Other entries will be clarified in the “Remarks” Column.

QTY. Column

Numbers Used — Item quantity can be indicated by a number, a blank entry, or A/R.

A/R (As Required) is generally used for hoses or other parts that are sold in bulk and cut to length.

A blank entry generally indicates that the item is not sold separately. Other entries will be clarified in the “Remarks” Column.

REMARKS Column

Some of the most common notes found in the “Remarks” Column are listed below. Other additional notes needed to describe the item can also be shown.

Assembly/Kit — All items on the parts list with the same unique symbol will be included when this item is purchased.

Indicated by:

“INCLUDES ITEMS W/(unique symbol)”

Serial Number Break — Used to list an effective serial number range where a particular part is used.

Indicated by:

“S/N XXXXX AND BELOW”

“S/N XXXX AND ABOVE”

“S/N XXXX TO S/N XXX”

Specific Model Number Use — Indicates that the part is used only with the specific model number or model number variant listed. It can also be used to show a part is NOT used on a specific model or model number variant.

Indicated by:

“XXXXX ONLY”

“NOT USED ON XXXX”

“Make/Obtain Locally” — Indicates that the part can be purchased at any hardware shop or made out of available items. Examples include battery cables, shims, and certain washers and nuts.

“Not Sold Separately” — Indicates that an item cannot be purchased as a separate item and is either part of an assembly/kit that can be purchased, or is not available for sale through Multiquip.

SUGGESTED SPARE PARTS

GBW/GBS/GBP LIGHTING SYSTEM

1 to 3 units

| Qty. | P/N | Description |
|--------|------------------|-------------------|
| 2..... | E000125600 | LAMP |
| 2..... | A300275900 | E BALLAST ASSY |
| 2..... | A100057000 | BALLOON CLOTH CP |
| 3..... | A300155100 | FILTER |
| 1..... | 1654000230..... | BALLOON PATCH KIT |

NOTICE

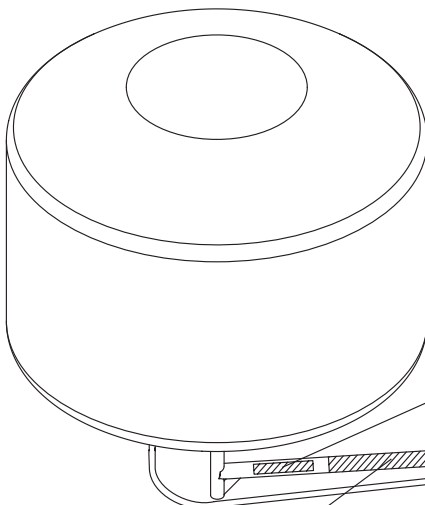
Part numbers on this Suggested Spare Parts list may supersede/replace the part numbers shown in the following parts lists.

Go to Discount-Equipment.com to order your parts

NAMEPLATES AND DECALS (GBW)

| <u>NO.</u> | <u>PART NO.</u> | <u>PART NAME</u> | <u>QTY.</u> | <u>REMARKS</u> |
|------------|-----------------|--|-------------|------------------------|
| 1 | A400324800 | DECAL; GLOBUG INFORMATION | 1 | |
| 2 | A400166701 | DECAL; LATCH, RIGHT | 1 | |
| 3 | A400324100 | DECAL; LATCH, LEFT | 1 | |
| 4 | A400290900 | DECAL; CAUTION, LAMP INFORMATION (ENGLISH) | 1 | |
| 5 | A400324200 | DECAL; CAUTION, LAMP INFORMATION (FRENCH) | 1 | |
| 6 | A400326400 | DECAL; LAMP TYPE | 1 | |
| 7 | A400325000 | DECAL; CAUTION, AC ONLY | 1 | |
| 8 | A400206500 | DECAL; DIMMER SWITCH | 1 | |
| 9 | A400324900 | DECAL; LAMP OFF SWITCH | 1 | |
| 10 | A400084300 | DECAL; GROUND | 2 | |
| 11 | A400194100 | DECAL; DANGER, WORKSTAND DEPLOYMENT (ENGLISH) | 1 | |
| 12 | A400324300 | DECAL; DANGER, WORKSTAND DEPLOYMENT (FRENCH) | 1 | |
| 13 | A400325100 | DECAL; ELECTRIC SHOCK, HIGH VOLTAGE, BURN HAZ. | 1 | |
| 14 | A400207302 | DECAL; GBW-004 | 1 | |
| 15 | A400193300 | DECAL; GLOBUG LIGHTING SYSTEM | 1 | |
| 16 | | NAMEPLATE..... | 1 | CONTACT MQ PARTS |

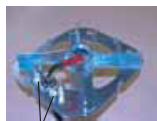
NAMEPLATES AND DECALS (GBS)



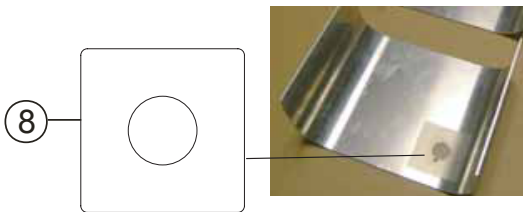
MS MULTIGROUP GloBug Lighting System

| | | | |
|---|---|---|--|
| <p>⚠ DANGER</p> <p>INFORMATIONS GloBug</p> <ul style="list-style-type: none"> Pour éviter les accidents, NE JAMAIS utiliser par un vent fort qui pourrait déformer le ballon considérablement. Pour éviter les accidents et les blessures, NE JAMAIS dépasser une vitesse de déplacement de 5 MPH lors de l'utilisation du système d'éclairage sur de l'équipement mobile. Pour éviter les accidents ou les blessures TOUJOURS assurer que le matériel est bien fixé aux attaches du ballon. | <p>⚠ RISQUE DE CHOC ÉLECTRIQUE</p> <ul style="list-style-type: none"> NE JAMAIS utiliser aucun des systèmes d'éclairage GloBug debout dans l'eau, les pieds nus, avec les mains mouillées, ou sous la pluie sans une prise GFCI qui est correctement mise à la terre. Un choc électrique dangereux pourrait survenir causant des blessures corporelles graves ou même la mort! TOUJOURS éteindre le générateur avant d'effectuer tout entretien. | <p>⚠ AVERTISSEMENT</p> <ul style="list-style-type: none"> Pour éviter les brûlures, NE JAMAIS toucher la lampe, le ballon ou le couvercle tant que la lampe est allumée. Ces surfaces sont très chaudes! TOUJOURS permettre aux deux surfaces de se refroidir avant d'y toucher. Pour éviter les blessures, vous DEVEZ lire et comprendre le manuel de l'opérateur avant d'utiliser cette machine. Cette machine ne doit être opérée que par du personnel qualifié. Demander une formation adéquate. | <p>⚠ ATTENTION</p> <ul style="list-style-type: none"> Une fois la lampe éteinte, lui permettre de se refroidir avant de l'allumer de nouveau. Il faut attendre environ 5 minutes avant de pouvoir rallumer la lampe. TOUJOURS débrancher le câble d'alimentation du générateur en premier avant d'éteindre le générateur. TOUJOURS allumer le générateur en premier avant de brancher le câble d'alimentation au générateur. |
|---|---|---|--|

| | | | |
|---|--|--|---|
| <p>⚠ DANGER</p> <p>GloBug INFORMATION</p> <ul style="list-style-type: none"> To prevent bruising, NEVER use in strong winds that makes balloon deformed considerably. To avoid accident or injury NEVER exceed a travel speed of 5 MPH when using lighting system on mobile equipment. To avoid accident or injury ALWAYS make certain hardware is securely fastened on pipe clamps. | <p>⚠ ELECTRICAL SHOCK HAZARD</p> <ul style="list-style-type: none"> NEVER operate any of the GloBug lighting systems while standing in water, while barefoot, while hands are wet, or in the rain without a GFCI receptacle which is properly grounded. A dangerous electrical shock could occur causing Severe Bodily Harm or even Death! ALWAYS turn OFF generator before performing maintenance. | <p>⚠ WARNING</p> <ul style="list-style-type: none"> To prevent burns, NEVER touch lamp, ballast or cover while lamp is on. These surfaces are extremely hot! ALWAYS allow sufficient time for both surfaces to cool down before touching. To avoid injury, you MUST read and understand operator's manual before using this machine. This machine to be operated by qualified personnel only. Ask for training as needed. | <p>⚠ CAUTION</p> <ul style="list-style-type: none"> Once lamp is turned OFF, Allow lamp to cool down before turning back on. It will take about 5 minutes before lamp can be turned back on. ALWAYS disconnect the AC power cable from generator first, before shutting down generator. ALWAYS turn on generator first before connecting the AC power cable to the generator. |
|---|--|--|---|



| | |
|--|--|
| <p>HOW TO CONTROL LIGHT</p> <p>LIGHT CONTROL: Push the button. LED is OFF → 100% (LED is blinking → 75%) SHUTTING DOWN LAMP ONLY: Push the button for three seconds, LED will turn red and lamp will turn off.</p> <p>TURNING LAMP BACK ON: Turn off the Lamp switch which is on the AIR PLATE. LED will turn off. Turn on the Lamp switch.</p> <p>▼ LIGHT CONTROL SWITCH</p> | <p>HOW TO LOCK THE MAIN POLE (EX)</p> <ol style="list-style-type: none"> 1. Shorten MAIN POLE (EX) sufficiently. 2. Lock the stopper which is inside of the top of MAIN POLE (EX). |
| <p>COMMENT CONTRÔLER L'ÉCLAIRAGE</p> <p>CONTRÔLE DE L'ÉCLAIRAGE: Appuyer sur le bouton. DEL éteint → 100% / DEL clignotant → 75% ÉTEINDRE LA LAMPÉ UNIQUEMENT: Appuyer sur le bouton pour trois secondes. LE voyant DEL s'allume en rouge et la lampe s'éteint.</p> <p>RALLUMER LA LAMPÉ: Éteindre l'interrupteur de la lampe qui se trouve sur la PLAQUE D'AIR. LE DEL s'éteindra. Allumer l'interrupteur de la lampe.</p> <p>▼ INTERRUPTEUR DU CONTRÔLE D'ÉCLAIRAGE</p> | <p>COMMENT VERROUILLER LE PÔLE PRINCIPAL (EX)</p> <ol style="list-style-type: none"> 1. Raccourcir le PÔLE PRINCIPAL (EX) suffisamment. 2. Verrouiller le bouchon qui se trouve à l'intérieur de la partie supérieure du PÔLE PRINCIPAL (EX). |



| | | |
|--|--|---|
| <p>⚠ DANGER</p> <p>ELECTRICAL SHOCK HAZARD</p> <p>When replacing lamp and to prevent electrical shock, ALWAYS shutdown the generator before replacing lamp. Remember to let lamp cool before removing.</p> | <p>⚠ HIGH VOLTAGE (E-BALLAST)</p> <p>The electronic components of the ballast generate high voltage. NEVER perform maintenance on the ballast when connected to a power source.</p> | <p>⚠ BURN HAZARD</p> <p>To prevent burns, NEVER touch lamp while lamp is on. Lamp surface gets extremely hot! ALWAYS allow sufficient time for lamp to cool down before touching.</p> |
| <p>⚠ RISQUE DE CHOC ÉLECTRIQUE</p> <p>Lors du remplacement de la lampe et pour prévenir le risque de choc électrique, TOUJOURS éteindre le générateur avant de remplacer la lampe. Ne pas oublier laisser la lampe se refroidir avant de l'enlever. Utilisez uniquement le type de lampe recommandée dans le manuel des pièces.</p> | <p>⚠ HAUTE TENSION (E-BALLAST)</p> <p>LES composants électroniques du ballast génèrent une haute tension. NE JAMAIS effectuer l'entretien de l'e-ballast lorsqu'il est branché à une source d'alimentation.</p> | <p>⚠ AVERTISSEMENT</p> <p>Pour éviter les brûlures, NE JAMAIS toucher la lampe tant que celle-ci est allumée. La surface de la lampe devient extrêmement chaude! TOUJOURS permettre aux deux surfaces de se refroidir avant d'y toucher.</p> |

| | |
|---|--|
| <p>⚠ CAUTION</p> <p>LAMP INFORMATION</p> <p>NEVER allow the lamp to strike any hard surface. Excessive impact can cause damage and reduce the service life of the lamp.</p> <p>BALLOON INFORMATION</p> <p>NEVER allow the balloon to touch the lamp surface when the lamp is hot. Before storing GloBug, ALWAYS fully cover balloon to prevent damage.</p> | <p>⚠ CAUTION / ATTENTION</p> <ul style="list-style-type: none"> • RELAMP WITH 1000WATTS TYPE M47 METAL HALIDE. • DO NOT INSTALL A LAMP IDENTIFIED FOR USE ONLY IN ENCLOSED LUMINAIRES. • UTILISER UNE AMPOULE DE REMPLACEMENT DE 1000W, TYPE M47 METAL HALIDE. • NE PAS UTILISER UNE AMPOULE CONÇUE SEULEMENT POUR DES LUMINAIRES FERMÉS. |
|---|--|

| | |
|--|---|
| <p>⚠ CAUTION / ATTENTION</p> <ul style="list-style-type: none"> • AC ONLY • SUITABLE FOR WET LOCATIONS • C.A. SEULEMENT • CONVIENT AUX EMPLACEMENTS MOULILLÉS | <p>⚠ ATTENTION</p> <p>INFORMATIONS SUR LA LAMPÉ</p> <p>RELAAMPÉ avec une ampoule de 1000W. NE PAS installer une ampoule conçue pour être utilisée dans des luminaires fermés.</p> <p>INFORMATIONS SUR LE BALLON</p> <p>NE PAS laisser le ballon toucher la surface de la lampe lorsqu'elle est chaude. Avant de stocker GloBug, TOUJOURS couvrir complètement le ballon.</p> |
|--|---|

NAMEPLATES AND DECALS (GBS)

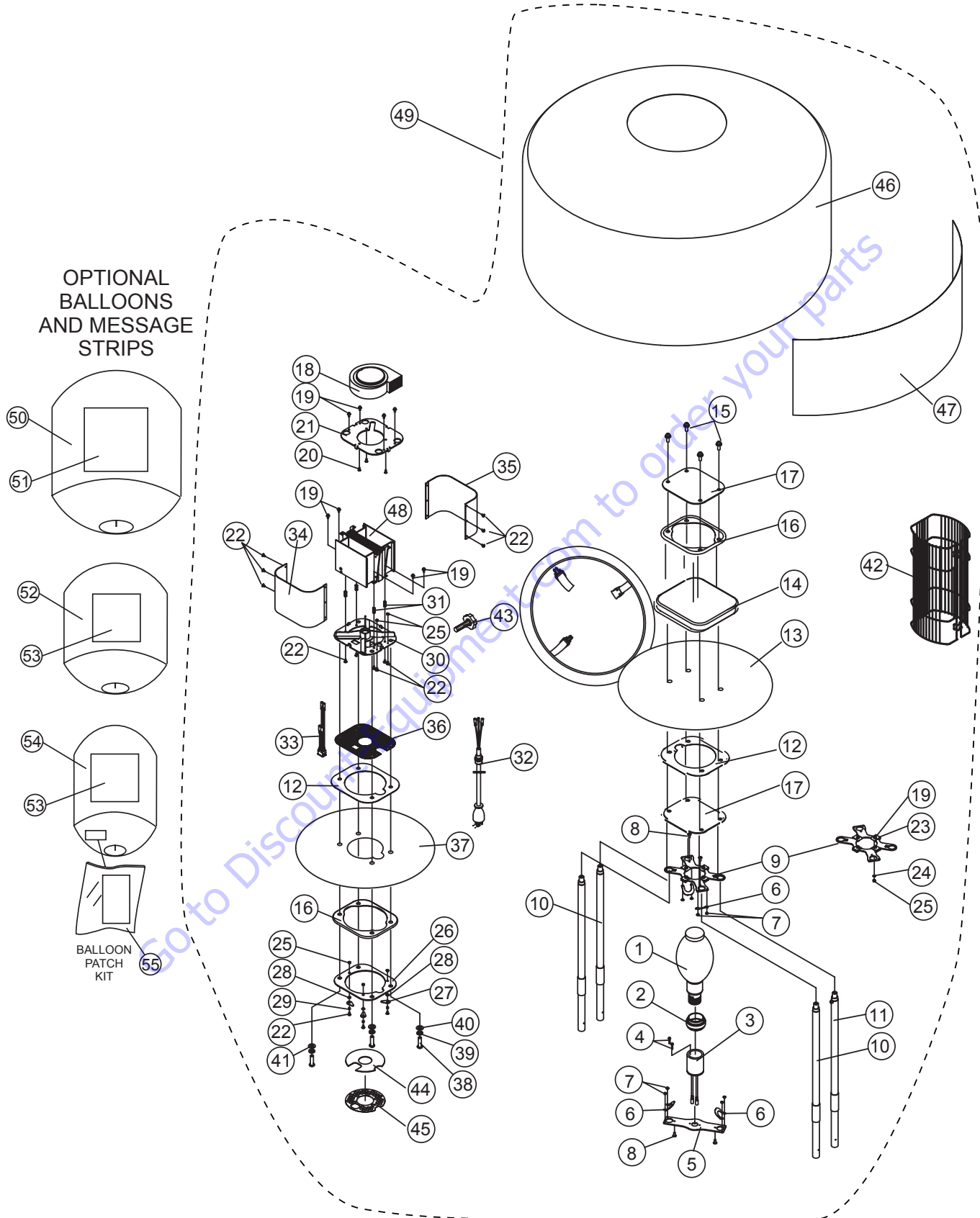
| <u>NO.</u> | <u>PART NO.</u> | <u>PART NAME</u> | <u>QTY.</u> | <u>REMARKS</u> |
|------------|-----------------|--|-------------|------------------------|
| 1 | A400193300 | DECAL; GLOBUG LIGHTING SYSTEM | 1 | |
| 2 | A400323800 | DECAL; GLOBUG INFO, ELECTRIC SHOCK(FRENCH) | 1 | |
| 2A | A400204701 | DECAL; GLOBUG INFO, ELECTRIC SHOCK(ENGLISH) | 1 | |
| 3 | A400326400 | DECAL; LAMP TYPE | 1 | |
| 4 | A400290900 | DECAL; CAUTION, LAMP INFORMATION (ENGLISH) | 1 | |
| 5 | A400324200 | DECAL; CAUTION, LAMP INFORMATION (FRENCH) | 1 | |
| 6 | A400325000 | DECAL; CAUTION, AC ONLY | 1 | |
| 7 | A400324900 | DECAL; LIGHT CONTROL SWITCH | 1 | |
| 8 | A400206500 | DECAL; DIMMER SWITCH | 1 | |
| 9 | A400325100 | DECAL; ELECTRIC SHOCK, HIGH VOLTAGE, BURN HAZ. | 1 | |
| 10 | A400084300 | DECAL; GROUND | 2 | |
| 11 | | NAMEPLATE..... | 1 | CONTACT MQ PARTS DEPT. |

Go to Discount-Equipment.com to order your parts

BALLOON AND LAMP ASSY (GBW/GBS)

| <u>NO.</u> | <u>PART NO.</u> | <u>PART NAME</u> | <u>QTY.</u> | <u>REMARKS</u> |
|------------|-----------------|--------------------------------|-------------|----------------|
| 1# | E000125600 | LAMP MP1000 | 1 | |
| 2# | E000038200 | RUBBER | 1 | |
| 3# | A300273200 | SOCKET ASSY | 1 | |
| 4# | 0023304015 | SCREW & WASHER, M4x15 | 2 | |
| 5# | A300160602 | PLATE, LAMP | 1 | |
| 6# | A400195200 | STOPPER | 4 | |
| 7# | 0024304004 | SCREW, M4x4 | 8 | |
| 8# | 0023405012 | SCREW, M5x12 | 4 | |
| 9# | A300174000 | LAMP HOLDER | 1 | |
| 10# | A200057703 | MAIN POLE 1 | 3 | |
| 11# | A200061300 | MAIN POLE 2 | 1 | |
| 12# | 2214500230 | SEAL, FLAT | 2 | |
| 13# | A100061200 | SHEET, TOP | 1 | |
| 14# | A100060900 | RED BALLOON COVER | 1 | |
| 15# | 0014808025 | BUTTON SCREW AND WASHER, M8x25 | 4 | |
| 16# | A300162400 | SEAL, PACKING | 2 | |
| 17# | A300165100 | PLATE, TOP | 1 | |
| 18# | A300264500 | FAN MOTOR ASSY | 1 | |
| 19# | 0023304012 | SCREW AND WASHER, M4x12 | 12 | |
| 20# | 0023204006 | SCREW, M4x6 | 3 | |
| 21# | A300164900 | PLATE, FAN | 1 | |
| 22# | 0024304008 | SCREW, M4x8 | 15 | |
| 23 | A400199500 | PACKING, LAMP | 4 | |
| 24 | 0043104000 | WASHER, M4 | 4 | |
| 25# | 0033104000 | NUT, M4 | 9 | |
| 26# | A300145801 | BOTTOM PLATE | 1 | |
| 27# | A400030700 | STOPPER, FILTER | 3 | |
| 28# | E000119300 | WAVE WASHER, M5 | 3 | |
| 29# | E000077500 | SPACER | 3 | |

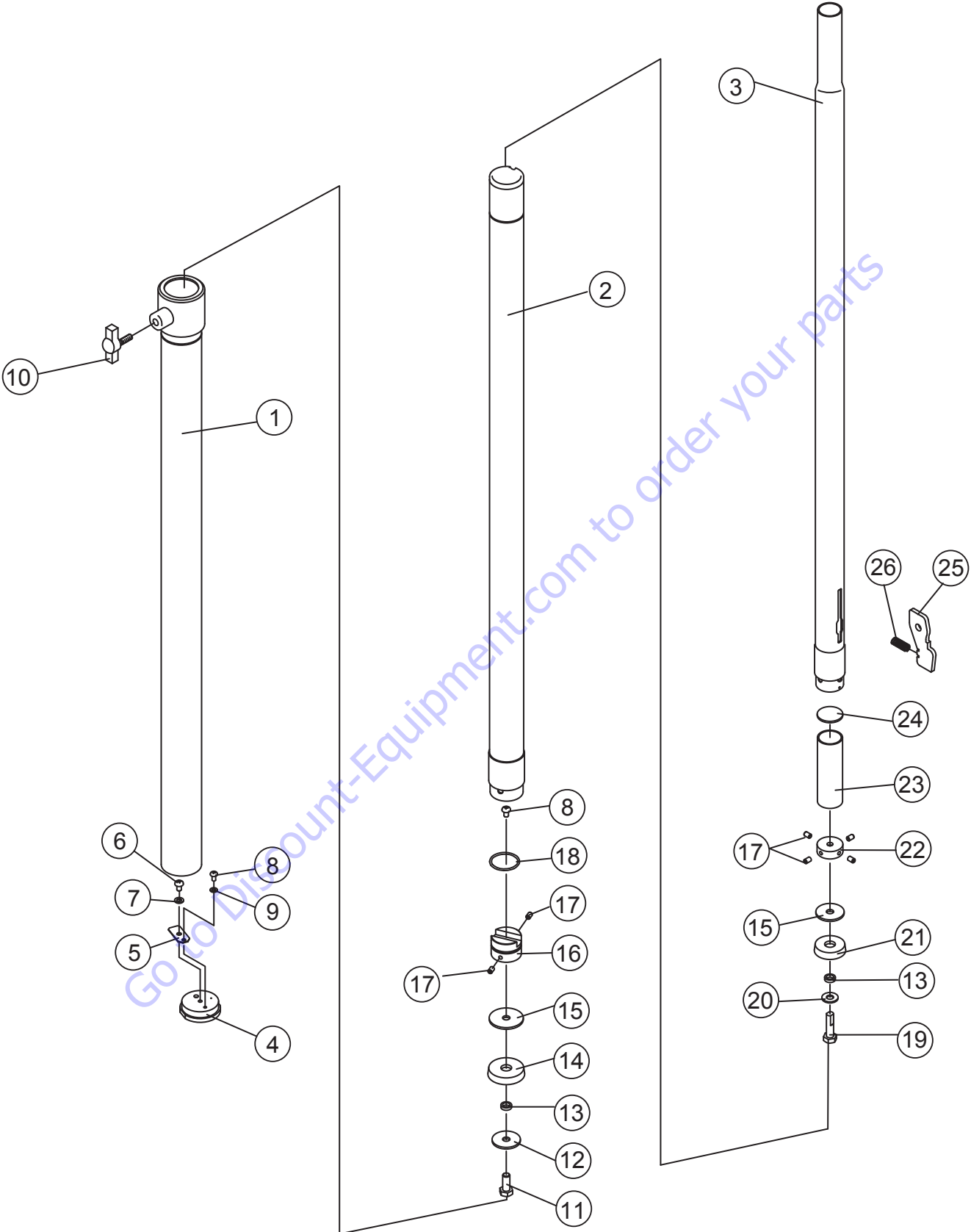
BALLOON AND LAMP ASSY (GBW/GBS — CONTINUED)



BALLOON AND LAMP ASSY (GBW/GBS — CONTINUED)

| <u>NO.</u> | <u>PART NO.</u> | <u>PART NAME</u> | <u>QTY.</u> | <u>REMARKS</u> |
|------------|-----------------|---|-------------|--|
| 30# | A200057603 | FLANGE | 1 | |
| 31# | E000070000 | SUPPORT NUT | 4 | |
| 32# | A300181901 | POWER CABLE | 1 | |
| 33# | A300269600 | SWITCH | 1 | |
| 34# | A300160003 | COVER 1 | 1 | |
| 35# | A300160100 | COVER 2 | 1 | |
| 36# | A300165001 | PLATE, GUARD | 1 | |
| 37# | A100061000 | SHEET, BOTTOM | 1 | |
| 38# | 0014710035 | BUTTON SCREW, M10x35 | 4 | |
| 39# | 0043210000 | SPRING WASHER, M10 | 4 | |
| 40# | 2204510110 | WASHER | 1 | |
| 41# | 0043110000 | WASHER, M10 | 3 | |
| 42# | A100061300 | LAMP GUARD | 1 | |
| 43# | A400209801 | BALLOON KNOB COMPLETE | 1 | |
| 44# | A300174401 | FILTER | 1 | |
| 45# | A300175300 | PLATE, AIR | 1 | |
| 46# | GBB115DR | BALLOON CLOTH | 1 | CONTACT MQ UNIT SALES |
| 47# | GBBALD1 | BLANK MESSAGE STRIP (OPTIONAL) | 1 | CONTACT MQ UNIT SALES |
| 48# | A300275900 | E BALLAST ASSY | 1 | |
| 49 | GBP | BALLOON/LAMP ASSY | 1 | INCLUDES ITEMS W/ # CONTACT MQ UNIT SALES |
| 50 | GB48 | BALLOON CLOTH (OPTIONAL) | 1 | CONTACT MQ UNIT SALES |
| 51 | GB48BMS | BLANK MESSAGE STRIP, 48"X48" (OPTIONAL) | 1 | CONTACT MQ UNIT SALES |
| 52 | GB36 | BALLOON CLOTH (OPTIONAL) | 1 | CONTACT MQ UNIT SALES |
| 53 | GB36BMS | BLANK MESSAGE STRIP, 36"X36" (OPTIONAL) | 1 | CONTACT MQ UNIT SALES |
| 54 | GB36N | BALLOON CLOTH (OPTIONAL) | 1 | CONTACT MQ UNIT SALES |
| 55 | 1654000230 | BALLOON PATCH KIT (OPTIONAL) | 1 | CONTACT MQ UNIT SALES |

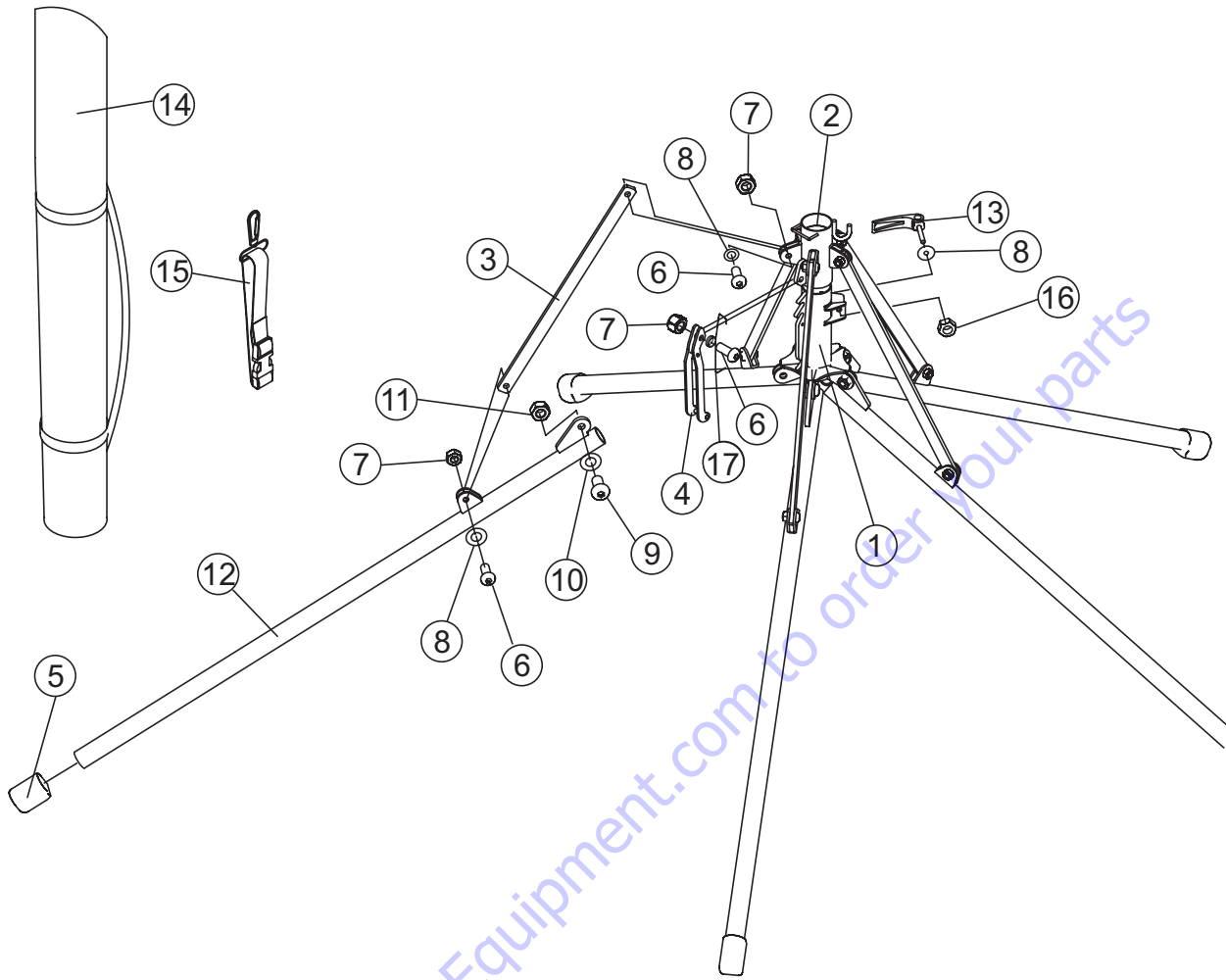
MAST ASSY (GBW)



MAST ASSY (GBW)

| <u>NO.</u> | <u>PART NO.</u> | <u>PART NAME</u> | <u>QTY.</u> | <u>REMARKS</u> |
|------------|-----------------|------------------|-------------|----------------|
| 1 | A300175400 | FIRST MAST | 1 | |
| 2 | A300175500 | SECOND MAST | 1 | |
| 3 | A300175600 | THIRD MAST | 1 | |
| 4 | A400199700 | PLUG | 1 | |
| 5 | A400112700 | LEAF VALVE | 1 | |
| 6 | 0023104008 | SCREW, M4x8 | 1 | |
| 7 | 0043104000 | WASHER, M4 | 1 | |
| 8 | 0023105008 | SCREW, M5x8 | 2 | |
| 9 | 0043105000 | WASHER, M5 | 1 | |
| 10 | A400187601 | KNOB | 2 | |
| 11 | 0013108020 | BOLT, M8x20 | 1 | |
| 12 | A400200500 | WASHER | 1 | |
| 13 | A400110200 | WASHER, MAST | 2 | |
| 14 | A400200700 | RUBBER, MAST | 1 | |
| 15 | A400092801 | WASHER | 2 | |
| 16 | A400200800 | BOTTOM PLATE | 1 | |
| 17 | 0024705008 | SET SCREW, M5x8 | 6 | |
| 18 | E000081200 | O-RING | 1 | |
| 19 | A400202700 | BOLT | 1 | |
| 20 | 0043108000 | WASHER, M8 | 1 | |
| 21 | A400109600 | RUBBER, MAST | 1 | |
| 22 | A400092402 | BOTTOM PLATE | 1 | |
| 23 | A400200300 | PIPE, LEVER | 1 | |
| 24 | A400200400 | WASHER | 1 | |
| 25 | A400200201 | LEVER, HOOK | 1 | |
| 26 | A400195700 | SPRING, HOOK | 1 | |

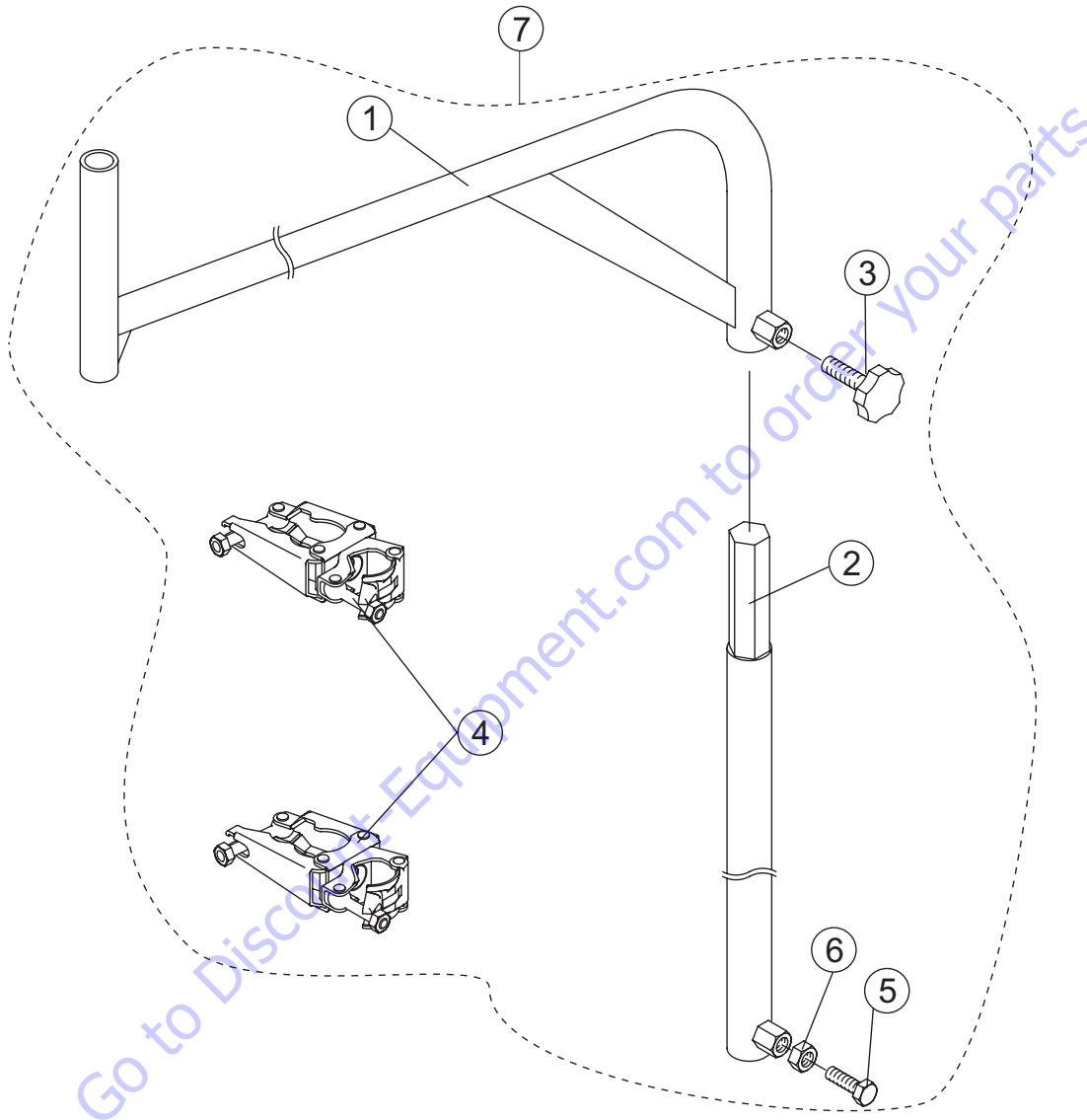
PENTAPOD ASSY (GBW)



PENTAPOD ASSY (GBW)

| <u>NO.</u> | <u>PART NO.</u> | <u>PART NAME</u> | <u>QTY.</u> | <u>REMARKS</u> |
|------------|-----------------|----------------------|-------------|----------------|
| 1 | A300180300 | BASE PIPE 1 | 1 | |
| 2 | A300178000 | BASE PIPE 2 | 1 | |
| 3 | A300113103 | SUPPORT | 5 | |
| 4 | A300108700 | SHACKLE | 1 | |
| 5 | 1641000330 | RUBBER FOOT | 5 | |
| 6 | 0014708025 | BUTTON SCREW, M8x25 | 11 | |
| 7 | 0033208000 | SELF LOCK NUT, M8 | 11 | |
| 8 | A400205901 | WASHER, M8 | 10 | |
| 9 | 0014710025 | BUTTON SCREW, M10x25 | 5 | |
| 10 | 0043110000 | WASHER, M10 | 5 | |
| 11 | 0033210000 | SELF LOCK NUT, M10 | 5 | |
| 12 | A300171601 | FOOT | 5 | |
| 13 | 2212780310 | LEVER | 1 | |
| 14 | A300152700 | CARRYING CASE | 1 | |
| 15 | A300106500 | STRAP | 1 | |
| 16 | 0033206000 | SELF LOCK NUT, M6 | 1 | |
| 17 | A400205901 | SPRING, SHACKLE | 1 | |

POLE ASSY (GBS)

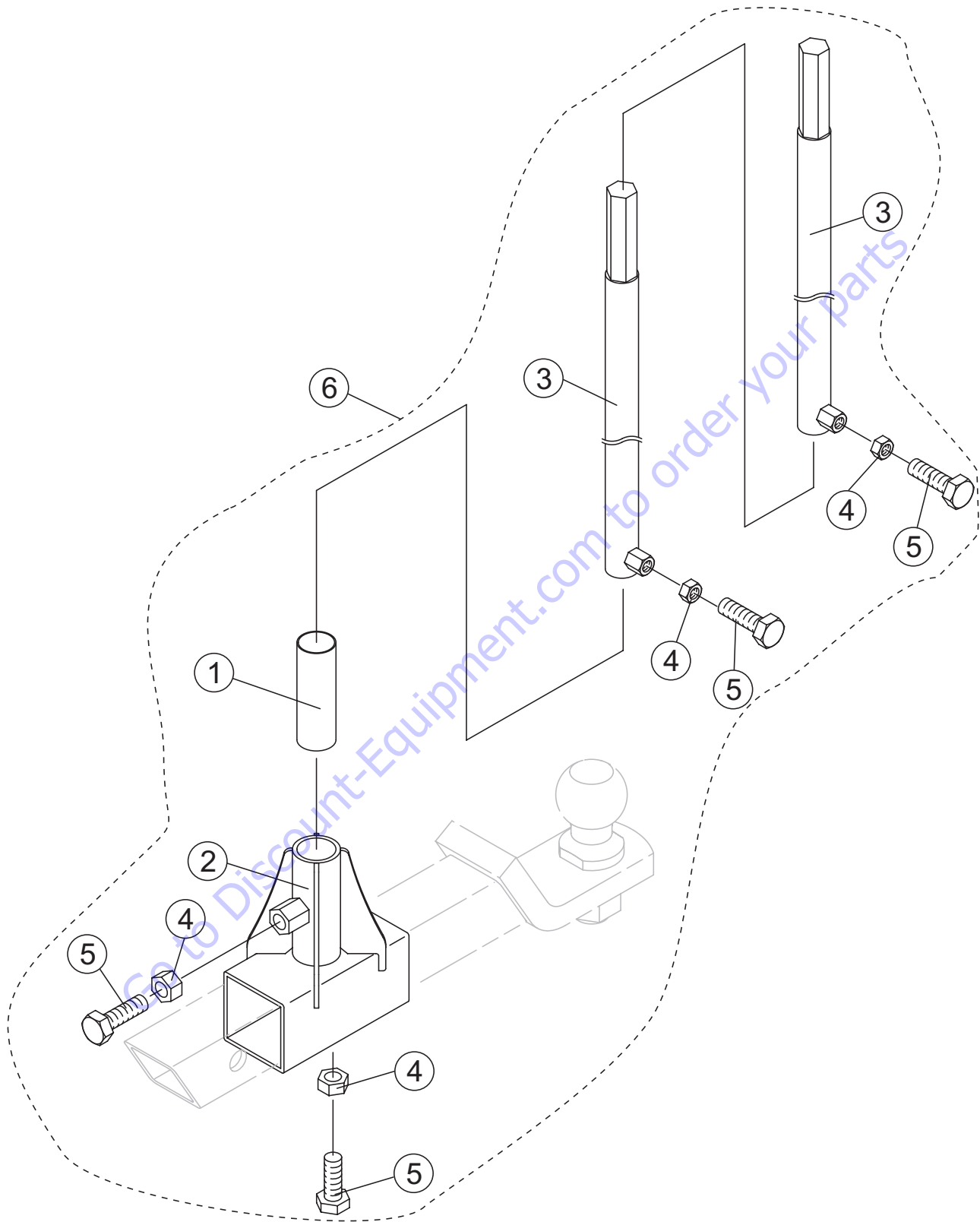


POLE ASSY (GBS)

| <u>NO.</u> | <u>PART NO.</u> | <u>PART NAME</u> | <u>QTY.</u> | <u>REMARKS</u> |
|------------|-----------------|---------------------|-------------|--|
| 1# | A200056702 | OFFSET POLE | 1 | |
| 2# | A300166600 | POLE | 1 | |
| 3# | E000077100 | KNOB | 1 | |
| 4# | E000093400 | CLAMP | 2 | |
| 5# | 0013112040 | BOLT, M12x40 | 1 | |
| 6# | 0033112000 | NUT, M12 | 1 | |
| 7 | A000028100 | POLE MOUNT KIT..... | 1..... | INCLUDES ITEMS W/ # CONTACT MQ UNIT SALES |

Go to Discount-Equipment.com to order your parts

HITCH MOUNT ASSY (GBHM)



HITCH MOUNT ASSY (GBHM)

| <u>NO.</u> | <u>PART NO.</u> | <u>PART NAME</u> | <u>QTY.</u> | <u>REMARKS</u> |
|------------|-----------------|------------------|-------------|--|
| 1# | A300164601 | SHAFT, JOINT | 1 | |
| 2# | A300164501 | JOINT | 1 | |
| 3# | A300166600 | POLE | 2 | |
| 4# | 0033112000 | NUT, M12 | 4 | |
| 5# | 0013112040 | BOLT, M12x40 | 4 | |
| 6 | GBHM | HITCH MOUNT..... | 1..... | INCLUDES ITEMS W# CONTACT MQ UNIT SALES |

Go to Discount-Equipment.com to order your parts

PLATE MOUNT ASSY (GBMP)

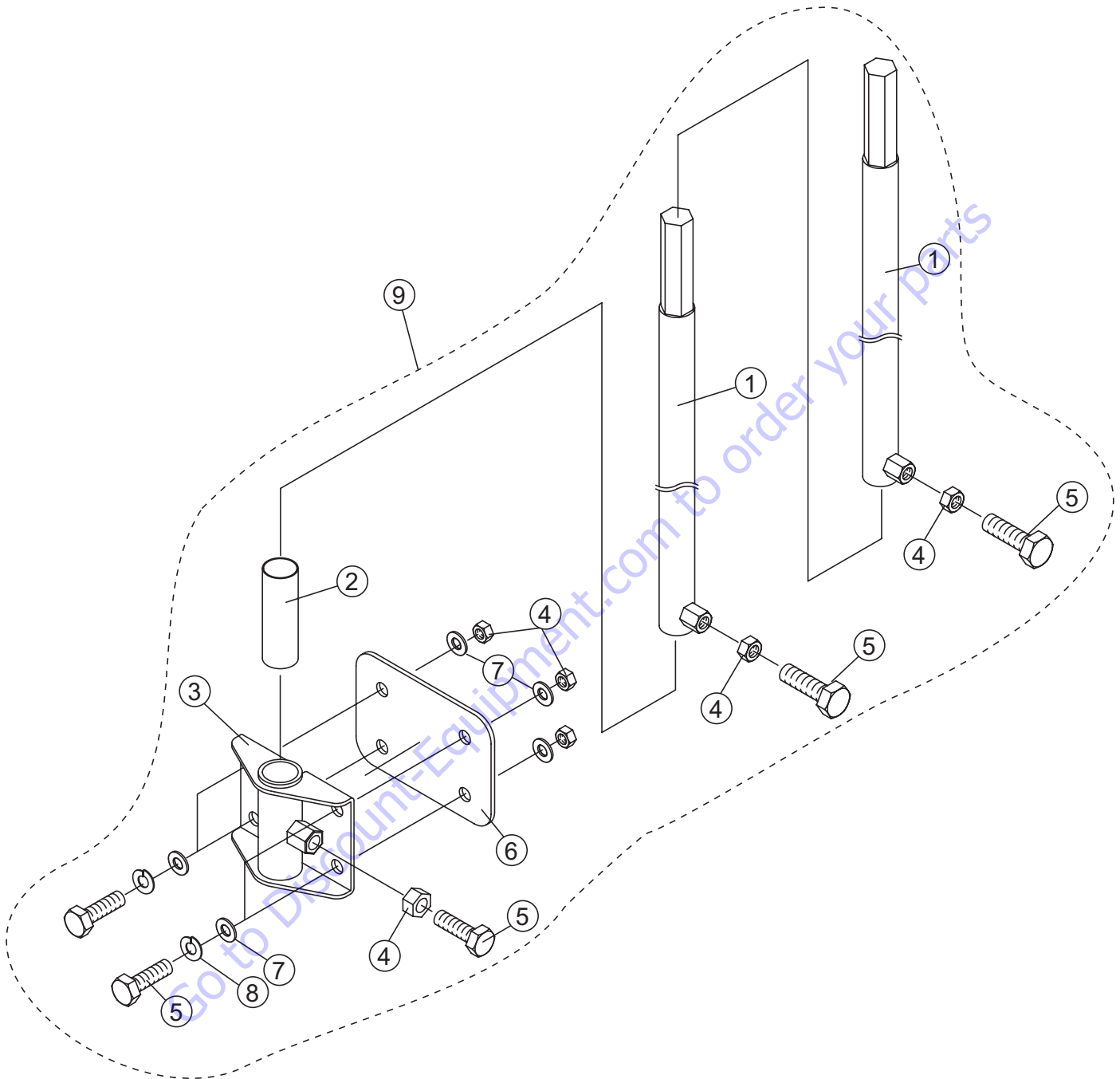


PLATE MOUNT ASSY (GBMP)

| <u>NO.</u> | <u>PART NO.</u> | <u>PART NAME</u> | <u>QTY.</u> | <u>REMARKS</u> |
|------------|-----------------|----------------------|-------------|--|
| 1# | A300166600 | POLE | 2 | |
| 2# | A300164601 | SHAFT, JOINT | 1 | |
| 3# | A300166000 | ADAPTER | 1 | |
| 4# | 0033112000 | NUT, M12 | 3 | |
| 5# | 0013112040 | BOLT, M12x40 | 7 | |
| 6# | A400192100 | PLATE, ADAPTER | 1 | |
| 7# | 0043112000 | WASHER, FLAT M12 | 8 | |
| 8# | 0043212000 | WASHER, LOCK | 4 | |
| 9 | GBMP | MOUNTING PLATE | 1..... | INCLUDES ITEMS W# CONTACT MQ UNIT SALES |

Go to Discount-Equipment.com to order your parts

OPERATION AND PARTS MANUAL

HERE'S HOW TO GET HELP

PLEASE HAVE THE MODEL AND SERIAL
NUMBER ON-HAND WHEN CALLING

Go to Discount-Equipment.com to order your parts



www.Discount-Equipment.com

