

OPERATION AND PARTS MANUAL



www.Discount-Equipment.com

MODEL DSGPULW **DuoScreed LightWeight** **(HONDA GX35SAT GASOLINE ENGINE)**

Revision #7 (09/19/18)



THIS MANUAL MUST ACCOMPANY THE EQUIPMENT AT ALL TIMES.

TO PURCHASE THIS PRODUCT PLEASE CONTACT US



**Equipment Financing and
Extended Warranties Available**



**Discount-Equipment.com is your online resource for
commercial and industrial quality parts and equipment sales.**

561-964-4949

visit us on line @ www.discount-equipment.com

Select an option below to find your Equipment

Search by Manufacturer

Search by Product Type

Request a Quote

We sell worldwide for the brands: Genie, Terex, JLG, MultiQuip, Mikasa, Essick, Whiteman, Mayco, Toro Stone, Diamond Products, Generac Magnum, Airman, Haulotte, Barreto, Power Blanket, Nifty Lift, Atlas Copco, Chicago Pneumatic, Allmand, Miller Curber, Skyjack, Lull, Skytrak, Tsurumi, Husquvarna Target, Stow, Wacker, Sakai, Mi-T-M, Sullair, Basic, Dynapac, MBW, Weber, Bartell, Bennar Newman, Haulotte, Ditch Runner, Menegotti, Morrison, Contec, Buddy, Crown, Edco, Wyco, Bomag, Laymor, EZ Trench, Bil-Jax, F.S. Curtis, Gehl Pavers, Heli, Honda, ICS/PowerGrit, IHI, Partner, Imer, Clipper, MMD, Koshin, Rice, CH&E, General Equipment, Amida, Coleman, NAC, Gradall, Square Shooter, Kent, Stanley, Tamco, Toku, Hatz, Kohler, Robin, Wisconsin, Northrock, Oztec, Toker TK, Rol-Air, APT, Wylie, Ingersoll Rand / Doosan, Innovatech, Con X, Ammann, Mecalac, Makinex, Smith Surface Prep, Small Line, Wanco, Yanmar

 **WARNING** 

CALIFORNIA — Proposition 65 Warning

Engine exhaust and some of its constituents, and some dust created by power sanding, sawing, grinding, drilling and other construction activities contains chemicals known to the State of California to cause cancer, birth defects and other reproductive harm. Some examples of these chemicals are:

- Lead from lead-based paints.
- Crystalline silica from bricks.
- Cement and other masonry products.
- Arsenic and chromium from chemically treated lumber.

Your risk from these exposures varies, depending on how often you do this type of work. To reduce your exposure to these chemicals: **ALWAYS** work in a well ventilated area, and work with approved safety equipment, such as dust masks that are specially designed to filter out microscopic particles.

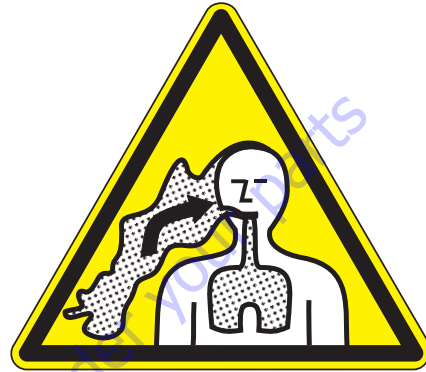
WARNING



SILICOSIS WARNING

Grinding/cutting/drilling of masonry, concrete, metal and other materials with silica in their composition may give off dust or mists containing crystalline silica. Silica is a basic component of sand, quartz, brick clay, granite and numerous other minerals and rocks. Repeated and/or substantial inhalation of airborne crystalline silica can cause serious or fatal respiratory diseases, including silicosis. In addition, California and some other authorities have listed respirable crystalline silica as a substance known to cause cancer. When cutting such materials, always follow the respiratory precautions mentioned above.

WARNING



RESPIRATORY HAZARDS

Grinding/cutting/drilling of masonry, concrete, metal and other materials can generate dust, mists and fumes containing chemicals known to cause serious or fatal injury or illness, such as respiratory disease, cancer, birth defects or other reproductive harm. If you are unfamiliar with the risks associated with the particular process and/or material being cut or the composition of the tool being used, review the material safety data sheet and/or consult your employer, the material manufacturer/supplier, governmental agencies such as OSHA and NIOSH and other sources on hazardous materials. California and some other authorities, for instance, have published lists of substances known to cause cancer, reproductive toxicity, or other harmful effects.

Control dust, mist and fumes at the source where possible. In this regard use good work practices and follow the recommendations of the manufacturers or suppliers, OSHA/NIOSH, and occupational and trade associations. Water should be used for dust suppression when wet cutting is feasible. When the hazards from inhalation of dust, mists and fumes cannot be eliminated, the operator and any bystanders should always wear a respirator approved by NIOSH/MSHA for the materials being used.

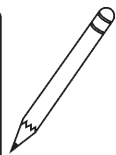
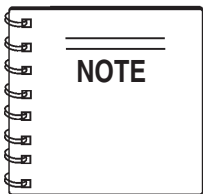
DSGPULW DUOSCREED —TABLE OF CONTENTS

Multiquip DS-Series — Vibratory DuoScreed

| | |
|--|-------|
| Here's How To Get Help | 3 |
| Table Of Contents | 4 |
| Parts Ordering Procedures | 5 |
| Rules For Safe Operation | 8-9 |
| Operation and Safety Decals | 10 |
| Specifications | 11 |
| General Information | 12 |
| Components (DuoScreed) | 13 |
| Components (Honda GX35SAT Engine) | 14 |
| Assembly Instructions | 15-17 |
| Starting | 18 |
| Application/Operation | 19-22 |
| Maintenance | 23-24 |
| Troubleshooting (DuoScreed) | 25 |
| Troubleshooting (Honds GX35SAT Engine) | 26 |
| Explanation Of Codes In Remarks Column | 28 |
| Suggested Spare Parts | 29 |
| Nameplate and Decals | 30-31 |
| Main Assembly | 32-35 |
| Blade Assembly | 36-37 |

Honda GX35SAT Engine

| | |
|--|-------|
| Air Cleaner Assembly | 38-39 |
| Cam Pulley Assembly | 40-41 |
| Carburetor Assembly | 42-43 |
| Crankcase Assembly | 44-45 |
| Crankshaft and Piston Assembly | 46-47 |
| Fan Cover and Clutch/Assembly | 48-49 |
| Recoil Starter Assembly | 50-51 |
| Flywheel and Ignition Coil Assembly | 52-53 |
| Fuel Tank | 54-55 |
| Muffler Assembly | 56-57 |
| Engine Top Cover Assembly | 58-59 |
| Labels | 60-61 |
| Terms and Conditions Of Sale — Parts | 62 |

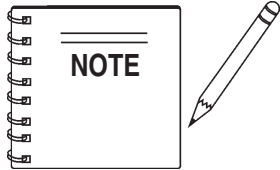


Specification and part number are subject to change without notice.

DSGPULW DUOSCREED — SAFETY MESSAGE ALERT SYMBOLS

FOR YOUR SAFETY AND THE SAFETY OF OTHERS!

Safety precautions should be followed at all times when operating this equipment. Failure to read and understand the Safety Messages and Operating Instructions could result in injury to yourself and others.



This Owner's Manual has been developed to provide complete instructions for the safe and efficient operation of the Multiquip **Model DSGPULW LightWeight (LW) DuoScreed**. Refer to the engine manufacturer's instructions for data relative to its safe operation.

Before using this screed, ensure that the operating individual has read and understands all instructions in this manual.

SAFETY MESSAGE ALERT SYMBOLS

The three (3) Safety Messages shown below will inform you about potential hazards that could injure you or others. The Safety Messages specifically address the level of exposure to the operator, and are preceded by one of three words: **DANGER**, **WARNING**, or **CAUTION**.

DANGER

You **WILL** be **KILLED** or **SERIOUSLY INJURED** if you **DO NOT** follow these directions.

WARNING

You **CAN** be **KILLED** or **SERIOUSLY INJURED** if you **DO NOT** follow these directions.

CAUTION

You **CAN** be **INJURED** if you **DO NOT** follow these directions.

Potential hazards associated with the MQ DSGPULW DuoScreed operation will be referenced with Hazard Symbols which appear throughout this manual, and will be referenced in conjunction with Safety Message Alert Symbols.

HAZARD SYMBOLS

Lethal Exhaust Gases



Engine exhaust gases contain poisonous carbon monoxide. This gas is colorless and odorless, and can cause death if inhaled. **NEVER** operate this equipment in a confined area or enclosed structure that does not provide ample free flow air.

Explosive Fuel



GASOLINE is extremely flammable, and its vapors can cause an explosion if ignited. **DO NOT** start the engine near spilled fuel or combustible fluids. **DO NOT** fill the fuel tank while the engine is running or hot. **DO NOT** overfill tank, since spilled fuel could ignite if it comes into contact with hot engine parts or sparks from the ignition system. Store fuel in approved containers, in well-ventilated areas and away from sparks and flames. **NEVER** use fuel as a cleaning agent.

Burn Hazards



Engine components can generate extreme heat. To prevent burns, **DO NOT** touch these areas while the engine is running or immediately after operations. Never operate the engine with heat shields or heat guards removed.

Rotating Parts



NEVER operate equipment with covers, or guards removed. Keep fingers, hands, hair and clothing away from all moving parts to prevent injury.

DSGPULW DUOSCREED — SAFETY MESSAGE ALERT SYMBOLS



Accidental Starting



OFF

ALWAYS place the engine ON/OFF switch in the **OFF** position when the DuoScreed is not in use.



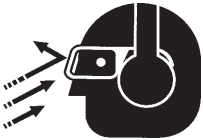
Respiratory Hazard



ALWAYS wear approved respiratory protection.



Sight and Hearing hazard

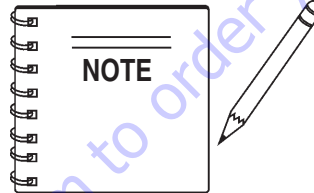


ALWAYS wear approved eye and hearing protection.



Equipment Damage Messages

Other important messages are provided throughout this manual to help prevent damage to your DuoScreed, other property, or the surrounding environment.



This DuoScreed, other property, or the surrounding environment could be damaged if you do not follow instructions.

DSGPULW DUOSCREED — RULES FOR SAFE OPERATION

DANGER - READ THIS MANUAL!

Failure to follow instructions in this manual may lead to **serious injury** or even **DEATH!** This equipment is to be operated by trained and qualified personnel only! This equipment is for industrial use only.

The following safety guidelines should always be used when operating the **MQ DSGPULW DuoScreed**.

General Safety:

- **DO NOT** operate or service this equipment before reading this entire manual.



The operator **MUST BE** familiar with proper safety precautions and operations techniques before using generator.

- This equipment should not be operated by persons under 18 years of age.
- **NEVER** operate this equipment without proper protective clothing, shatterproof glasses, steel-toed boots and other protective devices required by the job.



- **NEVER** operate this equipment when not feeling well due to fatigue, illness or taking medicine.
- **NEVER** operate this equipment under the influence of drugs or alcohol.



- **NEVER** use accessories or attachments, which are not recommended by Multiquip for this equipment. Damage to the equipment and/or injury to user may result.
- Manufacturer does not assume responsibility for any accident due to equipment modifications. Unauthorized equipment modification will void all warranties.
- Whenever necessary, replace nameplate, operation and safety decals when they become difficult read.

- **ALWAYS** check the machine for loosened threads or bolts before starting.

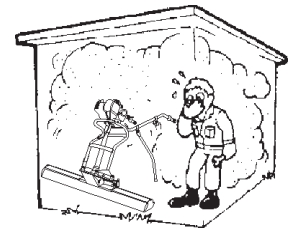
- **NEVER** operate the DuoScreed in an explosive atmosphere or near combustible materials. An explosion or fire could result causing severe **bodily harm or even death**.

- **NEVER** touch the hot exhaust manifold, muffler or cylinder. Allow these parts to cool before servicing engine or generator.



- **High Temperatures** – Allow the engine to cool before performing service and maintenance functions. Contact with **hot!** components can cause serious burns.

- The engine of the DuoScreed requires an adequate free flow of cooling air. **NEVER** operate the DuoScreed in any enclosed or narrow area where free flow of the air is restricted. If the air flow is restricted it will cause serious damage to the engine and may cause injury to people. The DuoScreed's engine gives off **DEADLY** carbon monoxide gas.



- Always refuel in a well-ventilated area, away from sparks and open flames.

- Always use extreme caution when working with **flammable** liquids. When refueling, **stop the engine** and allow it to cool. **DO NOT** smoke around or near the machine. Fire or explosion could result from fuel vapors, or if fuel is spilled on a hot engine.



- **NEVER** operate the DuoScreed in an explosive atmosphere or near combustible materials. An explosion or fire could result causing severe **bodily harm or even death**.

- Topping-off to filler port is dangerous, as it tends to spill fuel. Wipe up any spilled fuel immediately.

DSGPULW DUOSCREED — RULES FOR SAFE OPERATION

- **ALWAYS** read, understand, and follow procedures in Operator's Manual before attempting to operate equipment.
- **ALWAYS** be sure the operator is familiar with proper safety precautions and operations techniques before using DuoScreed.
- Refer to the **HONDA Engine Owner's Manual** for engine technical questions or information.
- **NEVER** use accessories or attachments, which are not recommended by Multiquip for this equipment. Damage to the equipment and/or injury to user may result.
- **NEVER** run engine without air cleaner. Severe engine damage may occur.
- **ALWAYS** service air cleaner frequently to prevent carburetor malfunction.
- **ALWAYS** store equipment properly when it is not being used. Equipment should be stored in a clean, dry location out of the reach of children.



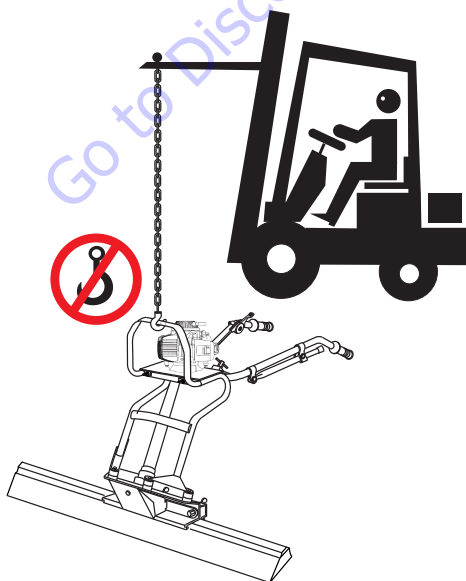
Emergencies

- **ALWAYS** know the location of the nearest **fire extinguisher**.
- **ALWAYS** know the location of the nearest and **first aid kit**.
- **ALWAYS** know the location of the nearest phone or **keep a phone on the job site**, in case of emergencies.
- **ALWAYS** have easy access to the phone numbers of the nearest **Ambulance, Doctor** and **Fire Department**. This information will be invaluable in the case of an emergency.



Transporting

- **ALWAYS** shutdown engine before transporting.
- Tighten fuel tank cap securely and close fuel cock to prevent fuel from spilling.
- Drain fuel when transporting DuoScreed over long distances or bad roads.
- **ALWAYS** tie-down the DuoScreed during transportation by securing the DuoScreed with rope.
- **NEVER** attach a forklift or other lifting device to the lifting bar. This bar is only for **manual lifting on the jobsite**.











Maintenance Safety

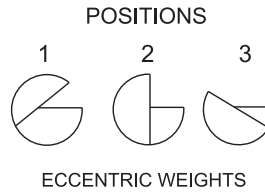
- **NEVER** lubricate components or attempt service on a running machine.
- **ALWAYS** allow the machine a proper amount of time to cool before servicing.
- Keep the machinery in proper running condition.
- Fix damage to the machine immediately and always replace broken parts.
- Dispose of hazardous waste properly. Examples of potentially hazardous waste are used motor oil, fuel and fuel filters.
- **DO NOT** use plastic containers to dispose of hazardous waste.
- **DO NOT** pour waste, oil or fuel directly onto the ground, down a drain or into any water source.

DSGPULW DUOSCREED — OPERATION AND SAFETY DECALS

Machine Safety Decals

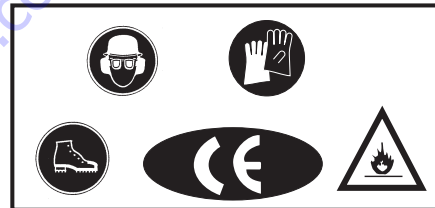
The DUOSCREED is equipped with a number of safety decals. These decals (Figure 1) are provided for operator safety and maintenance information. The illustrations below shows these decals as they appear on the machine. Should any of these decals become unreadable, replacements can be obtained from your dealer.

| DuoScreed Safety Decals | |
|--|---|
|  | Symbol indicates that it is mandatory to wear safety glasses, safety helmet and ear protection. |
|  | Symbol indicates that it is mandatory to wear gloves. |
|  | Symbol indicates that it is mandatory to wear safety shoes, with extra protection (steel toed). |
|  | Symbol indicates unit <u>should not be</u> operated near flammable materials. |
|  P/N DCL121 | Symbol indicates DO NOT use a pressure washer to clean unit. |
|  | Symbol indicates unit complies with European standards. |
| POSITIONS  P/N DCL141 | Symbol indicates position of eccentric weights depending on blade length. |
|  P/N DCL140 | Symbol indicates alignment point when attaching blade to main body clamps. |

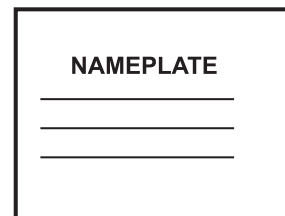


| BLADE LENGTH | | ECCENTRIC WEIGHT POSITION |
|--------------|--------|---------------------------|
| FEET | METERS | |
| 4.9 | 1.5 | 1 |
| 6.2 | 1.9 | 1 |
| 8.2 | 2.5 | 1 |
| 9.5 | 3.0 | 1 |
| 12.3 | 3.75 | 2 |
| 13.9 | 4.25 | 2 |
| 16.4 | 5.00 | 3 |
| 18.0 | 5.50 | 3 |
| 19.6 | 6.00 | 3 |

P/N DCL141



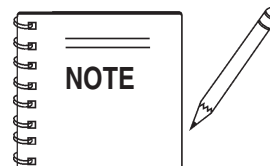
P/N DCL122



CONTACT MULTIQUIP
PARTS DEPT.



P/N BF260002



ALL LW blades will use eccentric position number 1. Decal DCL 141 is for HD blades.

Figure 1. Operation and Safety Decals

DSGPULW DUOSCREED — SPECIFICATIONS

Table 1. DUOSCREED SPECIFICATIONS

| | |
|------------------------|--|
| Power Unit Model | DSGPULW |
| Number of Vibrations | 5,500 v/min |
| Drive System | Flexible Shaft |
| Noise (Open Air) | 50 dB(A) |
| Vibration Acceleration | 1.5 m/sec ² |
| Drive Unit Weight (LW) | 29 lbs. (13 Kg.) |
| Blade Construction | Extruded Aluminum Alloy |
| Blade Widths LW | 6, 8, 10, 12, 14 and 16 ft. (1.82, 2.43, 3.04, 3.65, 4.26, and 4.87 meters) |
| Blade Weights LW | Approx. 1.95 lb./ft. (2.9 kg/m) |

TABLE 2. ENGINE SPECIFICATIONS

| | |
|---------------------|-------------------------------------|
| Engine Make | HONDA |
| Engine Model | GX35SAT |
| Engine Type | 4-Stroke OHC Gasoline Engine |
| Number Of Cylinders | 1 |
| Displacement | 2.18 cu. in (35.8 cm ³) |
| Maximum Output | 1.6 HP/7,000 rpm |
| Oil Grade | SAE 10W-30 |
| Oil Capacity | 0.11 qt./(0.10 liter) |
| Fuel Type | Unleaded |
| Fuel Tank Capacity | .172 gal./(.65 liters) |
| Spark Plug Gap | 0.024-0.028 inch (0.60-0.70 mm) |
| Spark Plug Type | CMR5H (NGK) |
| Starting Method | Recoil Start |
| Weight (Dry) | 7.34 lbs. (3.33 kg) |

DSGPULW DUOSCREED — GENERAL INFORMATION

Introduction

The Multiquip DuoScreed is a hand held vibratory screed designed to strike-off and consolidate concrete slabs. It is comprised of two major components, the power unit (gasoline engine), and the strike-off blade. **Generally this screed operates ideally in concrete with a slump of 2 inches or greater.** Its applications include patios, driveways, sidewalks and floor slabs.

Assembly

There are no tools required to assemble the DuoScreed. The power unit (engine) is connected to the blade by means of a spring-loaded clamp. Springs within the clamp assembly prevent vibration from loosening the power unit from the blade.

Handle Adjustments

The handle assembly on the DuoScreed is height adjustable for operator comfort. The handle design used on this screed allows the operator to remain upright at all times and can be quickly adjusted without any tools.

Vibratory System

The vibratory system of the DuoScreed produces low amplitude high frequency vibrations, designed to level and compact concrete. This vibratory system is mounted at an angle to transmit vibration laterally and vertically through the blade to produce a strong, dense slab.

The engine drives a two piece eccentric weight by means of a one-piece flexible shaft. This weight produces a vibratory action which simultaneously allows the DuoScreed to level the slab and consolidate the concrete beneath the surface.

Blades

The DuoScreed can utilize various blade widths. This screed uses a **lightweight** (LW) type blade. The widths can range anywhere from 6~16 feet (1.82~ 4.87 meters). See Table 1 for more detailed information. Since different length blades will require varying amounts of vibration, the DuoScreed features adjustable eccentric weights.

Engine

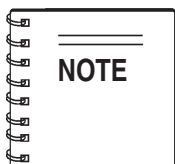
The Multiquip DuoScreed is equipped with a Honda Model GX35SAT, 1.6 HP, mini 4-cycle gasoline engine. This engine is lightweight and requires no fuel mixing.

Drive System

The Honda 1.6 HP engine drives a flexible shaft that requires no greasing. Its short one piece design runs directly to the vibrator housing and does not bend. This type of design eliminates a major source of friction and reduces the likelihood of shaft failure.

Transport

To transport your DuoScreed simply unclamp the power unit from its base. Additionally, the handles can be folded down for storage. The power unit weighs approximately 29 lbs. (13.0 kg), and the LW blades weigh approximately 1.95 lbs/ft (2.9 kg/m). Figure 2 shows the location of the components of the DuoScreed. The function of each component is described on the next page.



Some blade widths may not be available. Please contact MQ unit sales for available blades.

DSGPULW DUOSCREED — COMPONENTS

Figure 2. DuoScreed Components

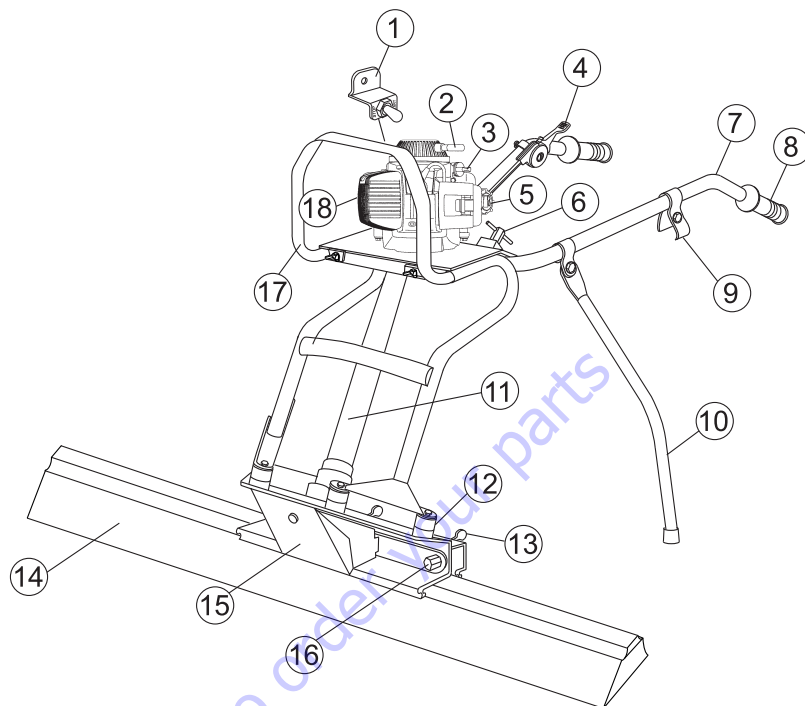


Figure 1 shows the location of the components of the DuoScreed. The function of each component is described below:

1. **START/STOP Switch** – When starting the engine, place this switch in the **START** position. When stopping the engine, place in the **STOP** position.
2. **Recoil Starter** – Manual-starting method. Pull the starter grip until resistance is felt, then pull briskly and smoothly.
3. **Oil Cap** – Remove this cap to add engine oil.
4. **Throttle Control Lever** – Move the throttle lever to the **down** position for full throttle (max RPM's), for engine idle, move the throttle lever to the **up** position.
5. **Fuel Cap/Tank** – Remove the fuel tank cap to add unleaded fuel **ONLY! DO NOT** mix fuel. **DO NOT** over fill. Tank holds approximately .172 gallons (.65 liters).
6. **Handle Bar Adjustment Knobs** – Loosen these two knobs to adjust the handle bar to a suitable working position.
7. **Handle Bar** – Used in the steering of DuoScreed.
8. **Hand Grip** – When operating the DuoScreed use this hand grip to maneuver the machine.
9. **Support Stand Latch** – Use this latch to lock support stand in place when DuoScreed is in operation.
10. **Support Stand** – Use this stand to support the DuoScreed when not in use.
11. **Flexible Drive Shaft** – Connected to the drive shaft of the engine, provides the vibrational force for the eccentric weights.
12. **Shock Mounts** – Used to absorb the vibration generated by the DuoScreed. These shock mounts minimize the transfer of vibration to the operator.
13. **Spring-Loaded Wing Nuts** – Turn these 3 spring loaded wing nuts counterclockwise to release the blade from the aluminum clamping strip, turn clockwise to secure the blade to the clamping strip.
14. **Blades** – The DuoScreed comes equipped from the factory with LW type blades. Reference Table 1 for details.
15. **Eccentric Cover** – Encloses the adjustable eccentric weights. Press the spring clip tab inward and slide the cover upward to gain access to the eccentric weights.
16. **Locking Nuts** – These 3 locking nuts are used in conjunction with the 3 spring loaded wing nuts which secure the blade to the aluminum clamping strip. Important! always cover the two outer nuts with the provided plastic cap. This will prevent concrete and other debris from entering the quick disconnect system.
17. **Lifting Bar** – This bar is only for manual lifting on the jobsite. Not to be used for manual lifting with a forklift or other lifting device.
18. **Gasoline Engine** – This DuoScreed uses a HONDA GX35SAT 1.6 HP gasoline engine. Refer to the **HONDA** owners manual for engine information and related topics.

DSGPULW DUOSCREED — COMPONENTS (HONDA GX35SAT ENGINE)

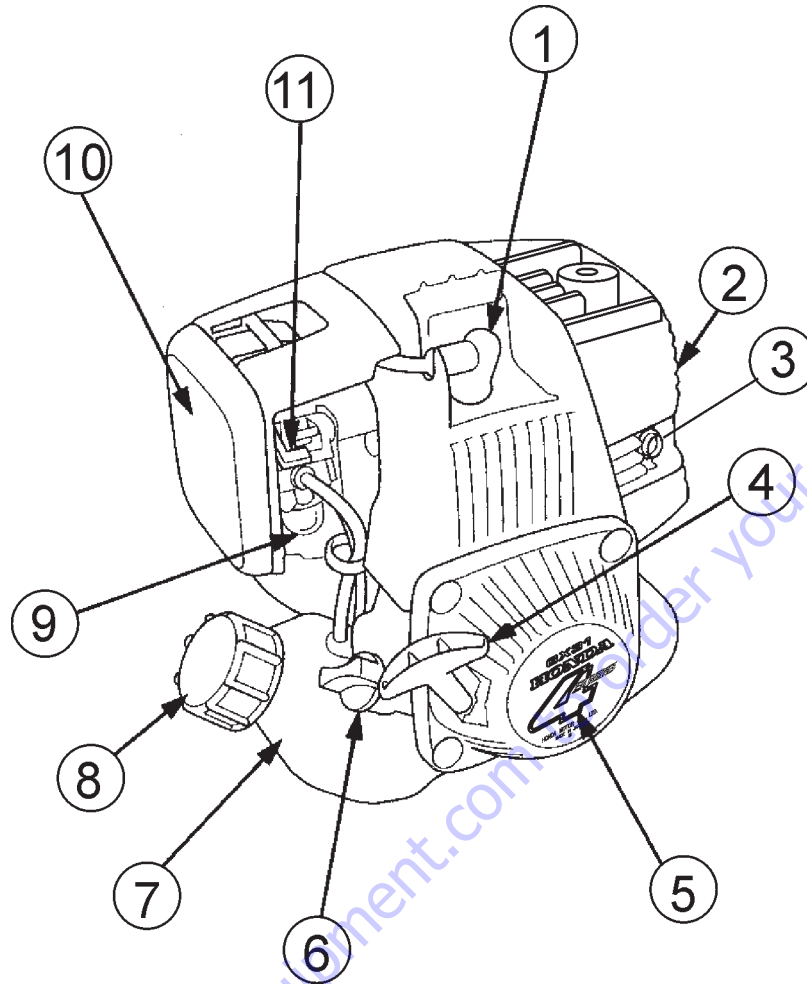


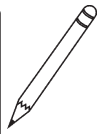
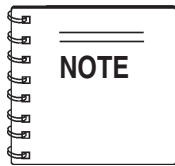
Figure 2. HONDA GX35SAT Components

1. **Spark Plug** – Provides spark to the ignition system. Set spark plug gap to 0.6 - 0.7 mm (0.024 - 0.028 inch) Clean spark plug once a week.
2. **Muffler** – Used to reduce noise and emissions. **DO NOT** touch muffler while engine is running, let engine cool before performing any maintenance.
3. **Spark Arrester** – Prevents sparks from leaving the engine exhaust system, which could ignite flammable materials.
4. **Starter Grip** – Grip this handle to start engine. See engine starting section of this manual.
5. **Recoil Starter (pull rope)** – Type of engine starting method.
6. **Oil Filler Cap** – Remove this cap to add engine oil. Engine oil capacity is 0.11 quart (0.1 liters). Use SAE 10W-30.
7. **Fuel Tank** – Holds .65 liters (approximately .172 gallon) of unleaded gasoline.
8. **Fuel Filler Cap** – Remove this cap to add unleaded gasoline to the fuel tank. Make sure cap is tighten securely. **DO NOT** over fill.
9. **Priming Bulb** – Used in the starting of a cold engine or an engine that has run out of fuel. Press the priming bulb repeatedly until fuel can be seen inside the clear plastic bulb.
10. **Air Cleaner** – Prevents dirt and other debris from entering the fuel system. Release latch on side of air filter compartment to gain access to filter element.
11. **Choke Lever** – Used in the starting of a cold engine, or in cold weather conditions. The choke enriches the fuel mixture for starting a cold engine.

DSGPULW DUOSCREED — ASSEMBLY INSTRUCTIONS

Assembly Instructions

This section will explain how to assemble the DuoScreed.



It is recommended that you familiarize yourself with the DuoScreed's components. For assistance identifying components called out in the text, refer to Figure 1.

1. The DuoScreed is comprised of two major components. The power unit (Honda GX35SAT Engine) and the strike-off blade. This DuoScreed is equipped with a quick disconnect system, with which the power unit can be mounted onto two aluminum clamping strips with ease.
2. The aluminum clamping strip (retaining plate) is located at the base of the power unit. This clamping strip is what holds the blade in place with the aid of three quick disconnect spring loaded wing nuts (Figure 3) that can either be tightened or loosened by hand.
3. Determine whether you will be using the DuoScreed on **forms** or as a **wet screed**. This will decide how the power unit will be mounted. If the DuoScreed will be used as a wet screed the wing nuts should be located above the smooth edge of the blade. If the DuoScreed will be used on forms (Figure 3) the wing nuts should be located above the curled edge of the blade.
4. Loosen each of the three wing nuts about 1/4 inch (8 mm). It is not necessary to completely remove the wing nuts from the aluminum clamping strip.
5. Locate the two red indicator arrows (Figure 4) on the top of the blade. The power unit should be placed squarely between the two markers.

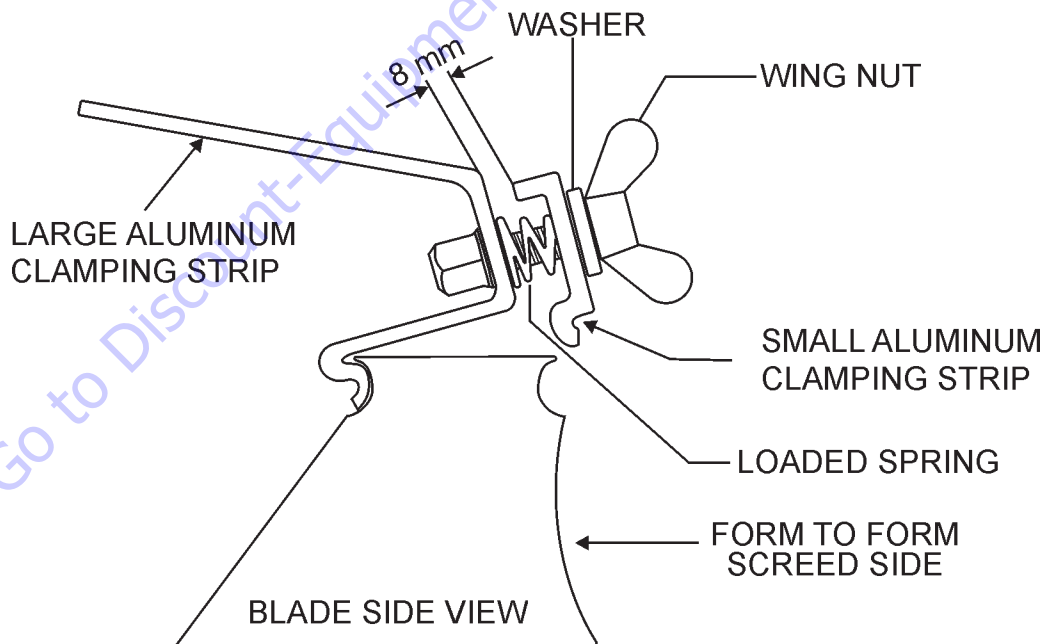


Figure 3. Blade Quick Disconnect System

DSGPULW DUOSCREED — ASSEMBLY INSTRUCTIONS

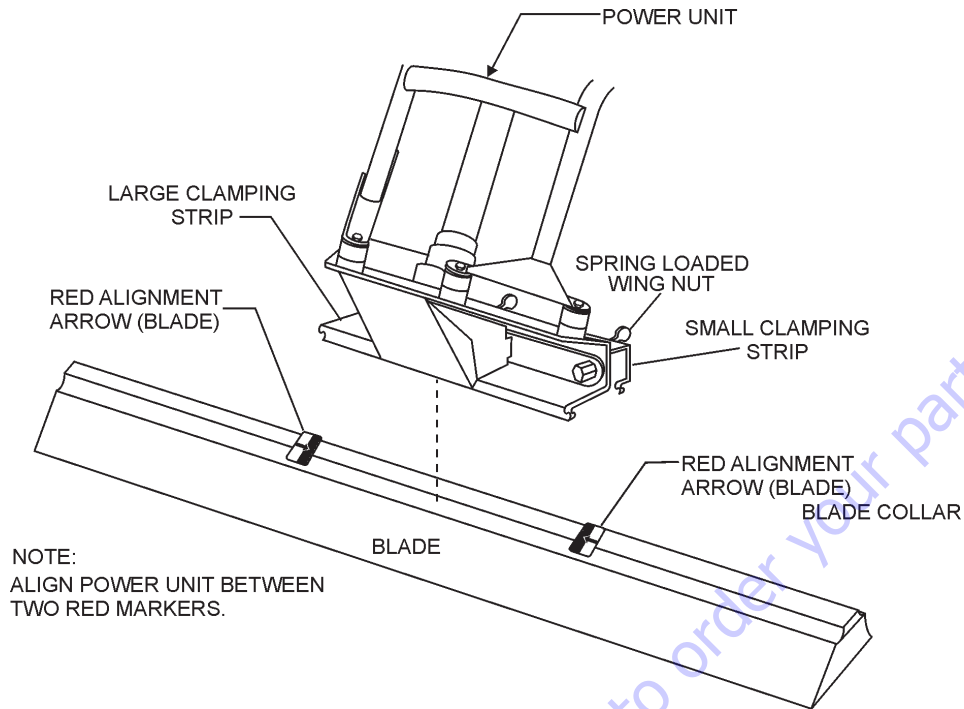


Figure 4. Blade Mounting Diagram

- Place the front of the power unit over the blade (Figure 3) until the front of the clamp is seated within the front blade collar.
- Ease the power unit back to allow the rear clamp to seat itself within the rear blade collar. It may be necessary to further loosen the wing nuts to allow the clamp to fit around the blade collar.
- Securely hand tighten each of the three wing nuts. The wing nuts are spring loaded to prevent them from coming loose during operation.
- Two handle bar adjustment knobs (Figure 5) are located at the base of the steering handle bar. Loosen these two knobs to adjust the height of the steering handle bar to a suitable working position.
- The DuoScreed is now ready for operational use.

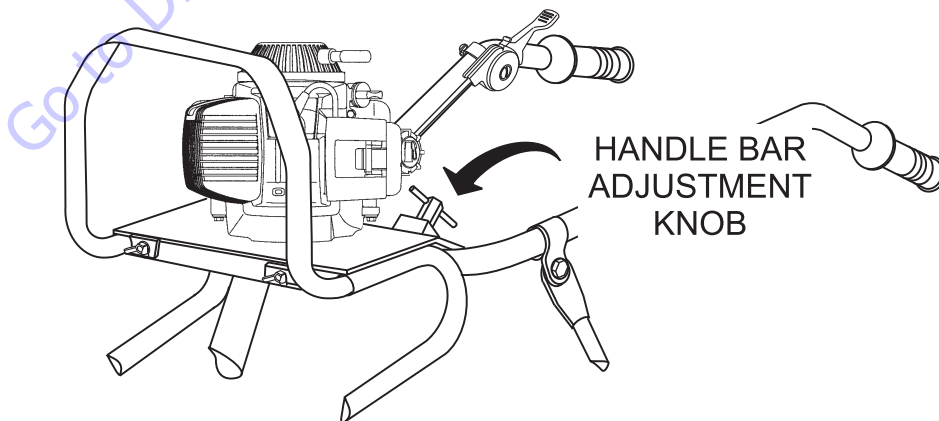


Figure 5. Handle Bar Adjustment Knob

DSGPULW DUOSCREED — ASSEMBLY INSTRUCTIONS

Eccentric Weight Adjustment

There are two eccentric weights (Figure 6) that are supplied with the DuoScreed. These weights are located inside the eccentric weight compartment, which is located at the bottom of the unit.

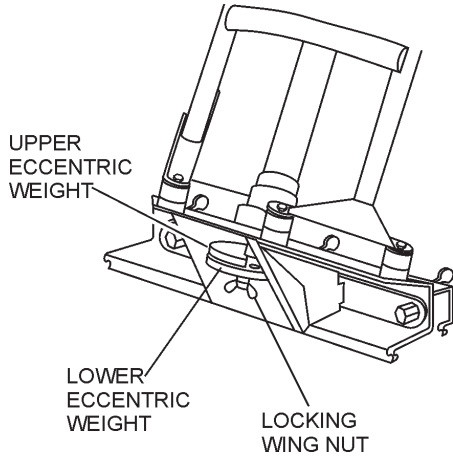


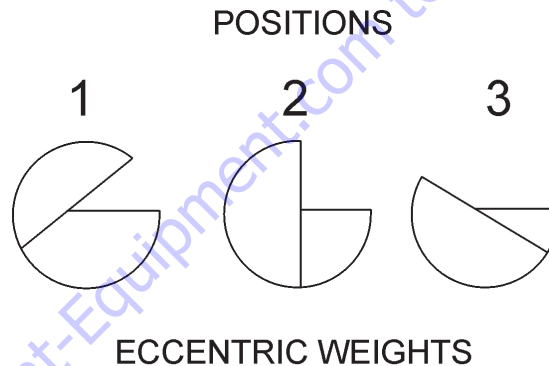
Figure 6. Eccentric Weight Location

These weights determine the amount of vibration that will travel down the blade. Depending on the type of blade that is used, will determine the position of the two eccentric weights. Reference Figure 7 in determining how your eccentric weights should be positioned.

1. To gain access to the eccentric weight compartment, press the spring clip tab on the eccentric cover and slide the cover upward to remove.
2. Loosen the eccentric locking wing nut.
3. Use the chart in Figure 7 to determine what position your eccentric weights should be in (position 1, 2 or 3).

Example:

A 16 ft. (5.0 meters) blade will place the eccentric weights in position 3. Please note that all LW blades widths use position 1.



| HD BLADE WIDTH | | | LW BLADE WIDTH | | |
|-------------------|--------|-----|-------------------|--------|-----|
| FEET | METERS | EWP | FEET | METERS | EWP |
| 6.2 | 1.9 | 1 | 6.0 | 1.82 | 1 |
| 8.2 | 2.5 | 1 | 8.0 | 2.43 | 1 |
| 9.5 | 3.0 | 1 | 10.0 | 3.04 | 1 |
| 12.3 | 3.75 | 2 | 12.0 | 3.65 | 1 |
| 13.9 | 4.25 | 2 | 14.0 | 4.26 | 1 |
| 16.4 | 5.00 | 3 | 16.0 | 4.87 | 1 |
| 18.0 | 5.50 | 3* | | | |
| 19.6 | 6.00 | 3* | | | |

*TWO POWER UNITS REQUIRED PER BLADE

Eccentric Weight Position = EWP

Figure 7. Eccentric Weight Positions

DSGPULW DUOSCREED — STARTING

Engine Pre-Check

1. Fill the fuel tank (Figure 8) with unleaded gasoline. **DO NOT** over fill. Topping-off to filler port is dangerous, as it tends to spill fuel. Wipe up any spilled fuel immediately.

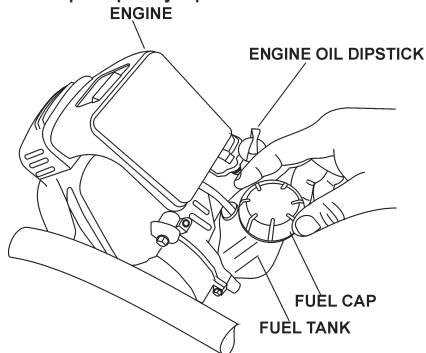


Figure 8. Fuel Tank

1. Place the engine in a level position.
2. Check the engine oil level by unscrewing the engine oil dip stick (Figure 9) from its holder.
3. If oil is not observed at the edge of the oil filler hole, fill with oil until oil is present at edge of oil filler hole. Remember to add oil slowly to avoid overflowing, as the engine oil tank capacity is small.

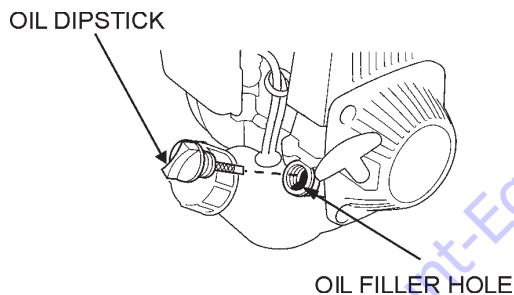


Figure 9. Engine Oil Dipstick/Oil Filler Hole

4. Reinstall the engine oil dipstick securely.

Starting The Engine

1. To start a cold engine, move the choke lever (Figure 10) to the **CLOSED** position. If restarting a warm engine leave the choke lever in the **OPEN** position.

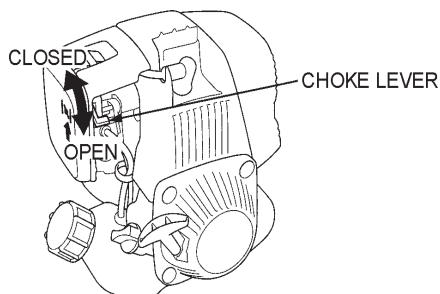


Figure 10. Choke Lever

2. Press the priming bulb (Figure 11) repeatedly until fuel can be seen inside the clear plastic bulb.

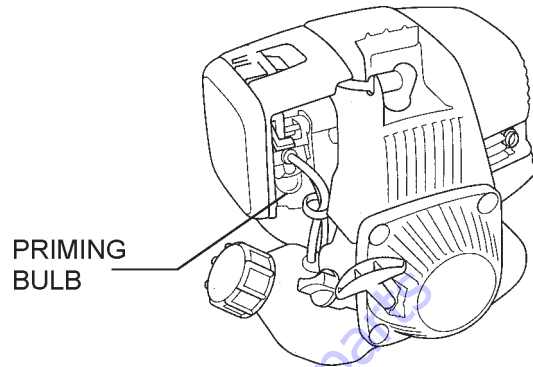


Figure 11. Priming Bulb Location

3. Set the engine START/STOP switch (Figure 12) to the **START** position.

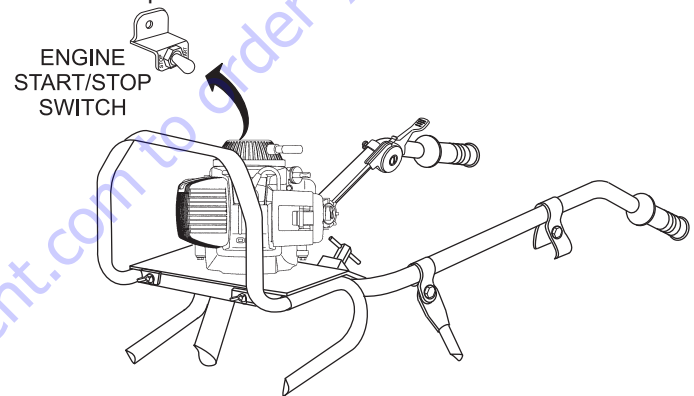


Figure 12. Engine START/STOP Switch

4. Pull the starter rope (Figure 13) lightly until you feel resistance, the pull briskly. Return the starter rope gently.

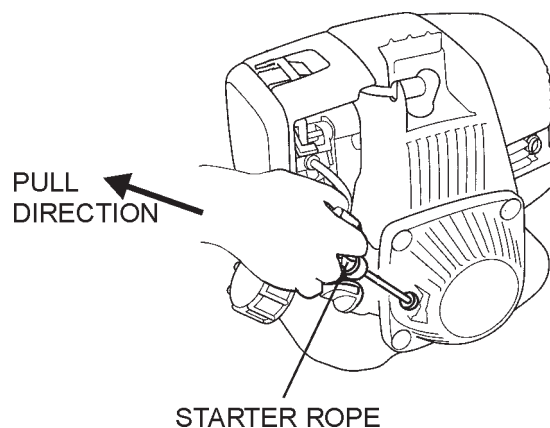


Figure 13. Engine Starter Rope

5. Once the engine has started, allow it to idle for 3 to 5 minutes.

DSGPULW DUOSCREED — APPLICATION/OPERATION

Application/Operation

1. Before placing the DuoScreed in concrete for screeding, it is a good idea to apply **form oil** to the blade and all frame parts that may come in contact with the concrete. This form oil will become useful when cleaning the DuoScreed. Make sure to saturate the unit with a good amount of form oil.
2. Prepare a grid of #5 rebar pins (Figure 14) equally spaced approximately every 9 to 11 feet. If a 10 ft. screed blade is going to be used space the grade pins every 9 feet, if a 12 ft. screed blade is required, space the grade pins every 11 ft. Make sure to drive the pins deeply into the ground.
3. Use a **string line** or **laser** to set the pins to grade (height). The grade should be to the top of the grade pins. Remember, before any concrete is to be poured, make sure that the top of the pins are dead on grade.
4. Once all the grade pins have been placed correctly and are dead on grade, concrete can then be poured on top of grade pins.
5. Level, and form the concrete as close as possible to grade. Mark the top of each pin so that its exact location will be known. Use a hand trowel to float the edges and plumbing grade pins.
6. If chalk lines are used for grade against forms, walls or existing concrete, float out the grade with a hand float along the edge.
7. Two workers will be required to assist the DuoScreed operator when making the 12-18 concrete bases, one on each side. These workers will rake the concrete in toward the center of the DuoScreed away from the bases to avoid changing base elevation.

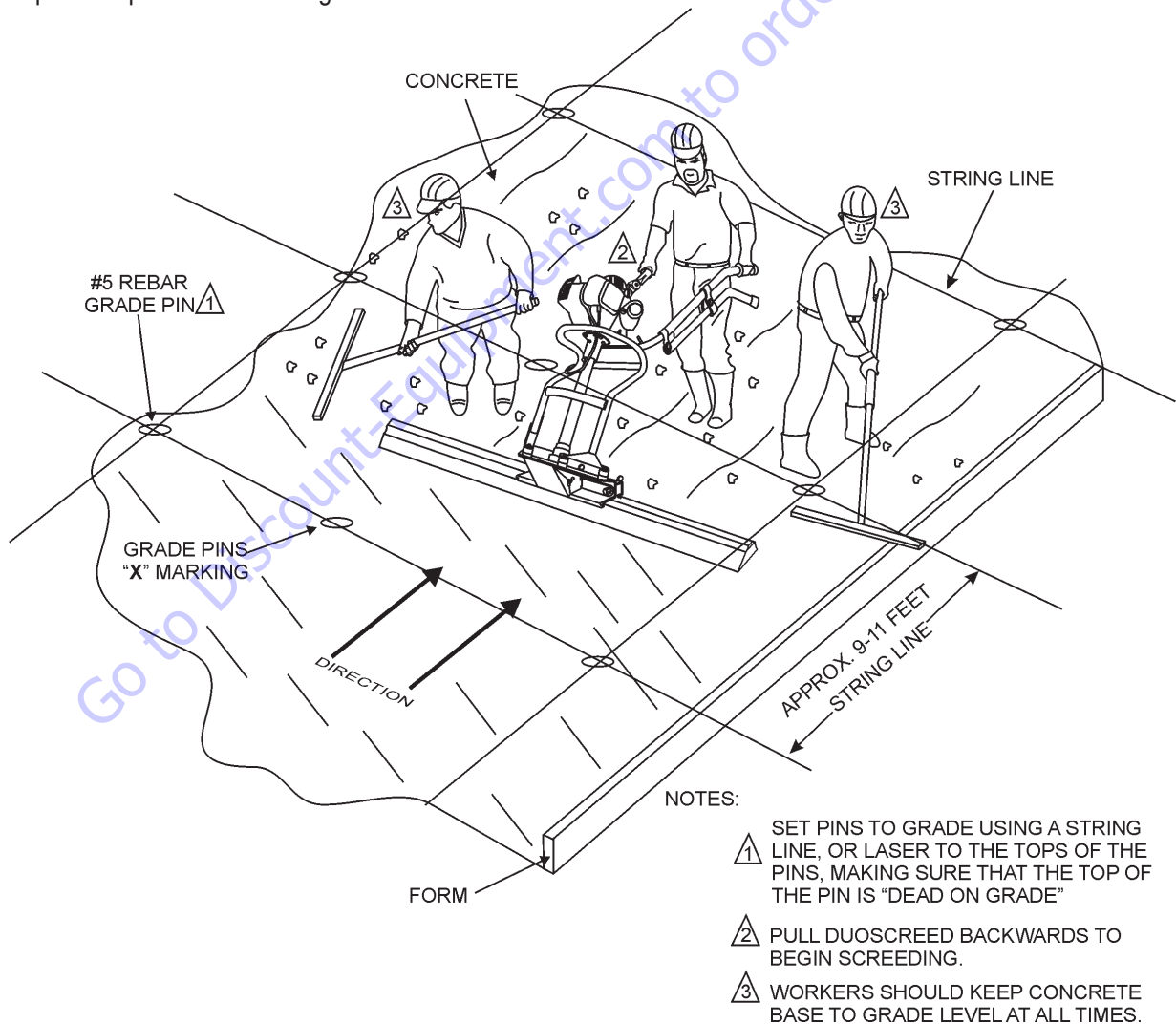


Figure 14. DuoScreed On Forms and Grade Pins

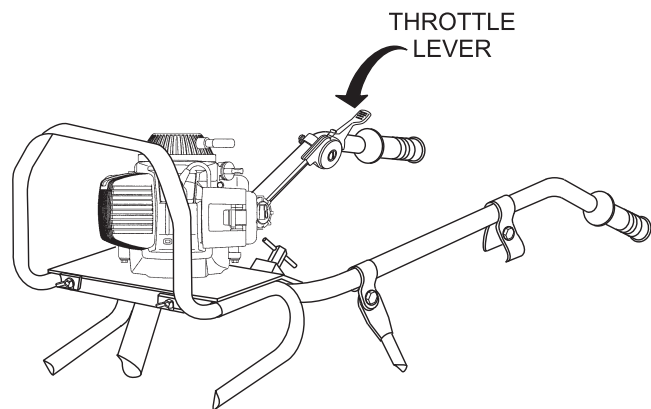
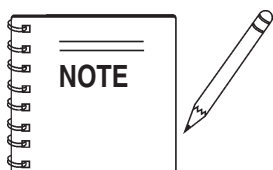


Figure 15. Throttle Lever



Before placing the DuoScreed in concrete, make certain the unit has been set up (blade) for **wet screeding**. This can be verified by observing that the operator's toes are pointing towards the smooth side of the blade (Figure 3), from the operators's position (handle bars).

8. Set the DuoScreed blade down in the concrete base in the **left** most corner of the grid between the two grade pins as shown in Figure 16. Adjust the DuoScreed's handle bar to a height where the operators is not bending over, but standing upright with arms extended forward.
9. To begin screeding move the engine throttle lever (Figure 15) midway between idle and full throttle. Notice that the DuoScreed's vibration will cause the blade to sink into the concrete base until it touches the top of the grade pins
10. Pull the DuoScreed from the edge of the grid's **top left** corner, horizontally toward the **center**. Notice that as the DuoScreed passes over the grade pins a small circle of concrete around the grade pins will appear. This indicates that the DuoScreed has vibrated the grade pin, and that the operators is **dead on grade**.
11. Keep the DuoScreed blade level and create a level base between 12-18 inches wide.
12. After a complete pass over the first set of grade pins has been made, remove the DuoScreed from the concrete base and position it over the second set of grade pins (Figure 16), overlapping the first set of grade pins between 12-18 inches. Repeat this process until all **left** edge grade pins have a level base between 12-18 inches wide.

13. Repeat steps 9 through 12 pulling the DuoScreed from the edge of the grid's **top right** corner, horizontally toward the center.
14. Remember to build the bases in long parallel strips across the pins and on the hand floated edges and against plumbing or other outs, leaving the long unfinished areas about 8 or 9 feet wide. Once the bases are built, the workers can more accurately shape the concrete to grade.
15. When **all** the bases have been completed, the operator and his two workers can begin to work down the long parallel unfinished 8 to 9 foot wide middle portions. When moving the DuoScreed down the middle portions, the ends of the DuoScreed blade should be resting on the bases, and the leading edge of the blade should be approximately 1/8 to 1/4 inch above each base depending on the slump and condition of the concrete. Have workers adjust the concrete along the face of the DuoScreed's blade to assure that the base is level with no high or low areas ahead of the blade.
16. Keep the engine throttle between 1/2 to 2/3 of full speed, if necessary readjust the DuoScreed's vibration to meet the condition of the concrete. Remember to move rapidly and watch both ends of the blade to assure that the blade remains 1/8 to 1/4 of an inch above the concrete base. Always keep the workers alert for concrete height changes.

Shut-Down

1. **NEVER** stop the engine suddenly while running at high speed.
2. Move the engine **throttle lever** (Figure 15) to the low speed position (idle).
3. Set the engine ON/OFF switch (Figure 12) to the **OFF** position.
4. Remove the DuoScreed from the slab surface.

Cleaning

1. Allow the engine to **cool** before cleaning. When the engine has cooled, use a damp and a mild detergent to remove all concrete and foreign debris. **DO NOT** spay the engine with water.
2. To remove all concrete and foreign debris from the DuoScreed, wash the DuoScreed's blade and frame using water and a mild detergent. Remember, if form oil was applied before the machine was placed in concrete, the cleanup will be much easier.

DSGPULW DUOSCREED — APPLICATION/OPERATION

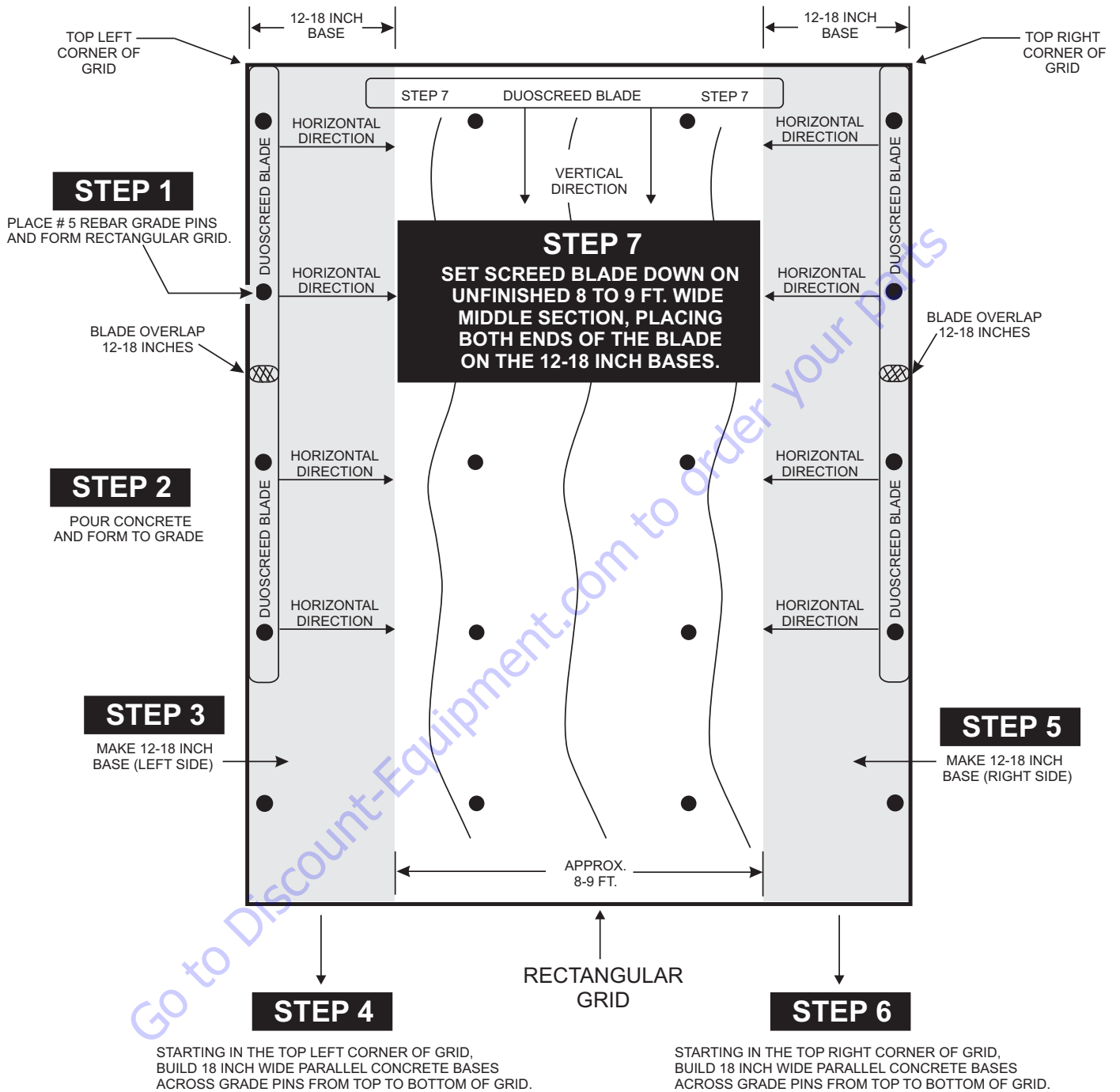


Figure 16. DuoScreed Wet Screeding Application

DSGPULW DUOSCREED — APPLICATION/OPERATION

Important Tips to Remember

- Do not allow the engine to run out of fuel as this may cause problems with starting. Always maintain an extra supply of fuel on the job site.
- Always keep the DuoScreed moving backwards during operation. Allowing the DuoScreed to vibrate in the same location for too long will cause it to sink into the concrete.
- When using the DuoScreed with low slump (dry) concrete do not attempt to walk it quickly across the slab. Walk slowly to allow the vibratory action to consolidate and level the slab surface. When using the DuoScreed with high slump (wet) concrete you will be able to walk the machine across the slab at a faster pace.
- In applications where the DuoScreed is being used as a wet screed it is recommended that grade or height of the concrete slab be adjusted with a laser device.
- Proper vibratory force is essential to producing a *level, hard, durable* slab. If the DuoScreed is vibrating too strongly the ***eccentric weights*** will require adjustment. Refer to the troubleshooting section of this manual.
- When screeding using forms or rails, always size your screed blade appropriately for the job. It is best to have the blade extend beyond the forms, by about 6-inches on each side.
- When screeding make sure the blade is kept straight. **DO NOT** let blade turn.
- **DO NOT** run the DuoScreed with one part of the blade on forms and the other on base. The blade must either be placed on forms or float (wet screeding), but not a combination of the two techniques.
- **DO NOT** stand in the concrete with the engine throttle engaged. This will cause the DuoScreed to sink.
- If the concrete appears too wavy, you are moving too slowly, increase your backing-up speed.
- Always keep the workers back far enough too allow the operator to see the cutting face of the blade as it rides on the wet screed base.
- The operator should keep the screed blade about 1/8 to 1/4 inch above the concrete base at all times.
- Should the DuoScreed stick to the wet concrete slab, **DO NOT** attempt to lift it. Quickly increase engine rpm's while pushing forward on the handles to free the machine.

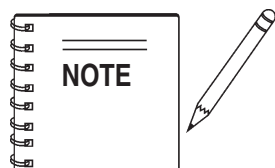
DSGPULW DUOSCREED — MAINTENANCE

Maintenance

CAUTION - Pressure Washer

DO NOT clean the DuoScreed with a *pressure washer*.

1. **NEVER** clean the DuoScreed with the engine running.
2. Allow the engine to cool down before cleaning.



DO NOT allow concrete to **harden** on the DuoScreed. Wipe all concrete off the chrome frame and any other parts including the engine of the DuoScreed.

3. Use a low pressure water hose, soft brush, wiping cloth and a mild cleaning detergent and remove all concrete from the DuoScreed. Be careful not to get excessive amounts of water in the engine compartment.
4. Keep the drive unit free from grease, dirt and grime as this can effect the performance of your DuoScreed

30 - Day Storage Procedure

For storage of the DuoScreed for over 30 days, the following is required:

- Drain the fuel tank completely.
- Run the engine until the fuel in the injection system is completely consumed.
- Completely drain used oil from the engine crankcase and fill with fresh clean oil, then follow the procedures described in the engine manual for engine storage.
- Cover DuoScreed and engine with plastic covering or equivalent and store in a clean, dry place.

Table 3. Engine Maintenance Schedule

| DESCRIPTION (3) | OPERATION | BEFORE | FIRST MONTH OR 10 HRS. | EVERY 3 MONTHS OR 25 HRS. | EVERY 6 MONTHS OR 50 HRS. | EVERY YEAR OR 100 HRS. | EVERY 2 YEARS OR 200 HRS. |
|------------------|-------------------------|--|------------------------|---------------------------|---------------------------|------------------------|---------------------------|
| Engine Oil | CHECK | X | | | | | |
| | CHANGE | | X | | X | | |
| Air Cleaner | CHECK | X | | | | | |
| | CHANGE | | | X (1) | | | |
| All Nuts & Bolts | Re-tighten If Necessary | X | | | | | |
| Spark Plug | CHECK-CLEAN | | | | X | | |
| | REPLACE | | | | | | X |
| Cooling Fins | CHECK | | | | X | | |
| Spark Arrester | CLEAN | | | | | X | |
| Fuel Tank | CLEAN | | | | | X | |
| Fuel Filter | CHECK | | | | | X | |
| Clutch Shoes | CHECK | | | | X (2) | | |
| Idle Speed | CHECK-ADJUST | | | | | X (2) | |
| Valve Clearance | CHECK-ADJUST | | | | | | X (2) |
| Fuel lines | CHECK | Every 2 years (replace if necessary) (2) | | | | | |

(1) Service more frequently when used in **DUSTY** areas.

(2) These items should be serviced by your service dealer, unless you have the proper tools and are mechanically proficient. Refer to the HONDA shop Manual for service procedures

(3) For commercial use, log hours of operation to determine proper maintenance intervals.

DSGPULW DUOSCREED — MAINTENANCE

Air Cleaner

1. The air cleaner element should be cleaned because a clogged air cleaner can cause poor engine starting, lack of power and shorten engine life substantially.
2. Before opening the air cleaner compartment, wipe any dirt or foreign matter from the air cleaner body and cover, using a moist cloth. Be careful to prevent dirt from entering the carburetor
3. Press the latch tab on the top of the air cleaner cover (Figure 16), and remove the cover. Check the filter to be sure that it is clean and in good condition.

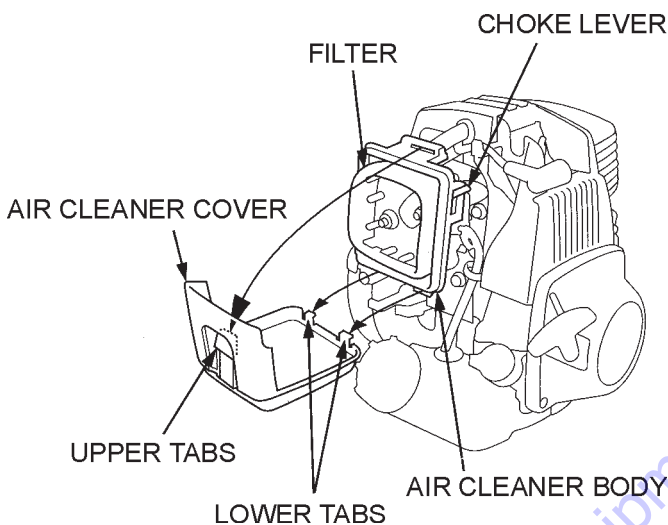


Figure 16. Air Cleaner

Spark Plug

1. Make sure the engine is off and cool.
2. Disconnect the spark plug cap (Figure 17), and remove any dirt from around the spark plug area.

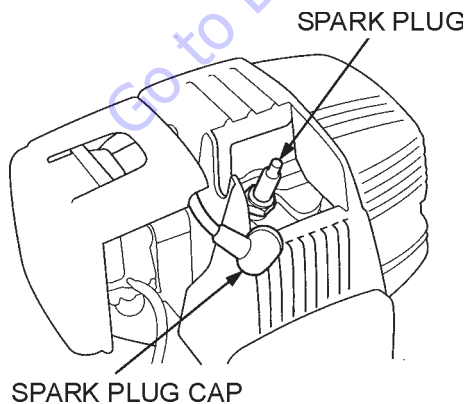


Figure 17. Spark Plug Removal

3. Remove the spark plug with 5/8-inch wrench.
4. Inspect the spark plug. Replace it if the electrodes are worn, or if the insulator is cracked or chipped. Clean the spark plug with a wire brush if you are going to reuse it.
5. Set the spark plug gap (Figure 18) using a suitable gauge. The gap should be between 0.024-0.028 inch (0.60-0.70 mm).

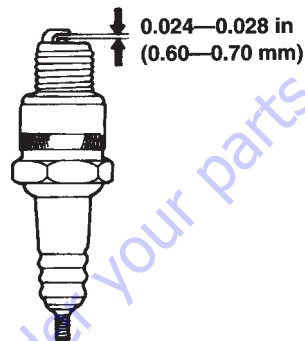


Figure 18. Spark Plug Gap

6. Carefully install the spark plug by hand to avoid cross threading, then tighten
7. Attach spark plug cap.

DSGPULW DUOSCREED — TROUBLESHOOTING

TABLE 4. DUOSCREED TROUBLESHOOTING

| SYMPTOM | POSSIBLE CAUSE | SOLUTION |
|---|---|---|
| Vibrates insufficient and as a result the concrete floor cannot be leveled and smoothed in the proper way. | The centrifugal force of the vibrator is set too low? | Adjust the eccentric weights per Figure 7 or increase engine speed. |
| | There is excessive amounts of concrete along the leading edge of the blade? | Remove the excessive concrete from the blade. |
| | The chosen width of the blade is too large? | Work with a smaller blade Remember maximum width is 20 ft. (2 engines) |
| The DuoScreed when used as a form-to-form screed vibrates too much and does not travel smoothly across the rail supports. | Selected blade and eccentric weights do not match? | Adjust eccentric weights to match selected blade width. Reference Figure 7. |
| Concrete looks "WAVY" as the screed blade passes over it. | Operator moving too slowly? | Walk backwards at a faster pace. |
| | Too much vibration for the type of concrete? | Reduce engine speed and walk backwards at a faster pace. |
| Leaving HIGH or LOW spots during wet screeding. | Concrete too high or low on one side? | Have workers shape the concrete close as possible to grade. Maintain about 1 inch of concrete across the front of the blade at all times. |
| Blade digs into wet concrete. | Is blade positioned correctly? | Each end of the blade must ride on the same surface. Either each end of the blade rides on forms or concrete (wet screed) not both. |

DSGPULW DUOSCREED — TROUBLESHOOTING

TABLE 5. ENGINE TROUBLESHOOTING

| SYMPTOM | POSSIBLE CAUSE | SOLUTION |
|---|---|---|
| Difficult to start, "fuel is available, but no SPARK at spark plug". | Spark plug bridging? | Check gap, insulation or replace spark plug. |
| | Carbon deposit on spark plug? | Clean or replace spark plug. |
| | Short circuit due to deficient spark plug insulation? | Check spark plug insulation, replace if worn. |
| | Improper spark plug gap? | Set to proper gap. |
| Difficult to start, "fuel is available, and SPARK is present at the spark plug". | ON/OFF switch is shorted? | Check switch wiring, replace switch. |
| | Ignition coil defective? | Replace ignition coil. |
| | Improper spark gap, points dirty? | Set correct spark gap and clean points. |
| | Condenser insulation worn or short circuiting? | Replace condenser. |
| | Spark plug wire broken or short circuiting? | Replace defective spark plug wiring. |
| Difficult to start, "fuel is available, spark is present and compression is normal" | Wrong fuel type? | Flush fuel system, and replace with correct type of fuel. |
| | Water or dust in fuel system? | Flush fuel system. |
| | Air cleaner dirty? | Clean or replace air cleaner. |
| | Choke Open? | Close Choke. |
| Difficult to start, "fuel is available, spark is present and compression is low" | Suction/exhaust valve stuck or protruded? | Re-seat valves. |
| | Piston ring and/or cylinder worn? | Replace piston rings and or piston. |
| | Cylinder head and/or spark plug not tightened properly? | Torque cylinder head bolts and spark plug. |
| | Head gasket and/or spark plug gasket damaged? | Replace head and spark plug gaskets. |
| No fuel present inside priming bulb. | Fuel not available in fuel tank? | Fill with correct type of fuel. |
| | Fuel filter clogged? | Replace fuel filter. |
| | Fuel tank cap breather hole clogged? | Clean or replace fuel tank cap. |
| | Air in fuel line? | Bleed fuel line. |

DUOSCREED — EXPLANATION OF CODE IN REMARKS COLUMN

The following section explains the different symbols and remarks used in the Parts section of this manual. Use the help numbers found on the back page of the manual if there are any questions.

NOTICE

The contents and part numbers listed in the parts section are subject to change **without notice**. Multiquip does not guarantee the availability of the parts listed.

SAMPLE PARTS LIST

| NO. | PART NO. | PART NAME | QTY. | REMARKS |
|-----|----------|---------------------|------|---------------------|
| 1 | 12345 | BOLT..... | 1 | INCLUDES ITEMS W/% |
| 2% | | WASHER, 1/4 IN..... | | NOT SOLD SEPARATELY |
| 2% | 12347 | WASHER, 3/8 IN.... | 1 | MQ-45T ONLY |
| 3 | 12348 | HOSE | A/R | MAKE LOCALLY |
| 4 | 12349 | BEARING | 1 | S/N 2345B AND ABOVE |

NO. Column

Unique Symbols — All items with same unique symbol

(@, #, +, %, or >) in the number column belong to the same assembly or kit, which is indicated by a note in the “Remarks” column.

Duplicate Item Numbers — Duplicate numbers indicate multiple part numbers, which are in effect for the same general item, such as different size saw blade guards in use or a part that has been updated on newer versions of the same machine.

NOTICE

When ordering a part that has more than one item number listed, check the remarks column for help in determining the proper part to order.

PART NO. Column

Numbers Used — Part numbers can be indicated by a number, a blank entry, or TBD.

TBD (To Be Determined) is generally used to show a part that has not been assigned a formal part number at the time of publication.

A blank entry generally indicates that the item is not sold separately or is not sold by Multiquip. Other entries will be clarified in the “Remarks” Column.

QTY. Column

Numbers Used — Item quantity can be indicated by a number, a blank entry, or A/R.

A/R (As Required) is generally used for hoses or other parts that are sold in bulk and cut to length.

A blank entry generally indicates that the item is not sold separately. Other entries will be clarified in the “Remarks” Column.

REMARKS Column

Some of the most common notes found in the “Remarks” Column are listed below. Other additional notes needed to describe the item can also be shown.

Assembly/Kit — All items on the parts list with the same unique symbol will be included when this item is purchased.

Indicated by:

“INCLUDES ITEMS W/(unique symbol)”

Serial Number Break — Used to list an effective serial number range where a particular part is used.

Indicated by:

“S/N XXXXX AND BELOW”

“S/N XXXX AND ABOVE”

“S/N XXXX TO S/N XXX”

Specific Model Number Use — Indicates that the part is used only with the specific model number or model number variant listed. It can also be used to show a part is NOT used on a specific model or model number variant.

Indicated by:

“XXXXX ONLY”

“NOT USED ON XXXX”

“Make/Obtain Locally” — Indicates that the part can be purchased at any hardware shop or made out of available items. Examples include battery cables, shims, and certain washers and nuts.

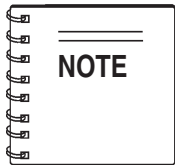
“Not Sold Separately” — Indicates that an item cannot be purchased as a separate item and is either part of an assembly/kit that can be purchased, or is not available for sale through Multiquip.

DSGPULW DUOSCREEN — SUGGESTED SPARE PARTS

DUOSCREEN 1 TO 3 UNITS WITH HONDA GX35SAT ENGINE

1 to 3 Units

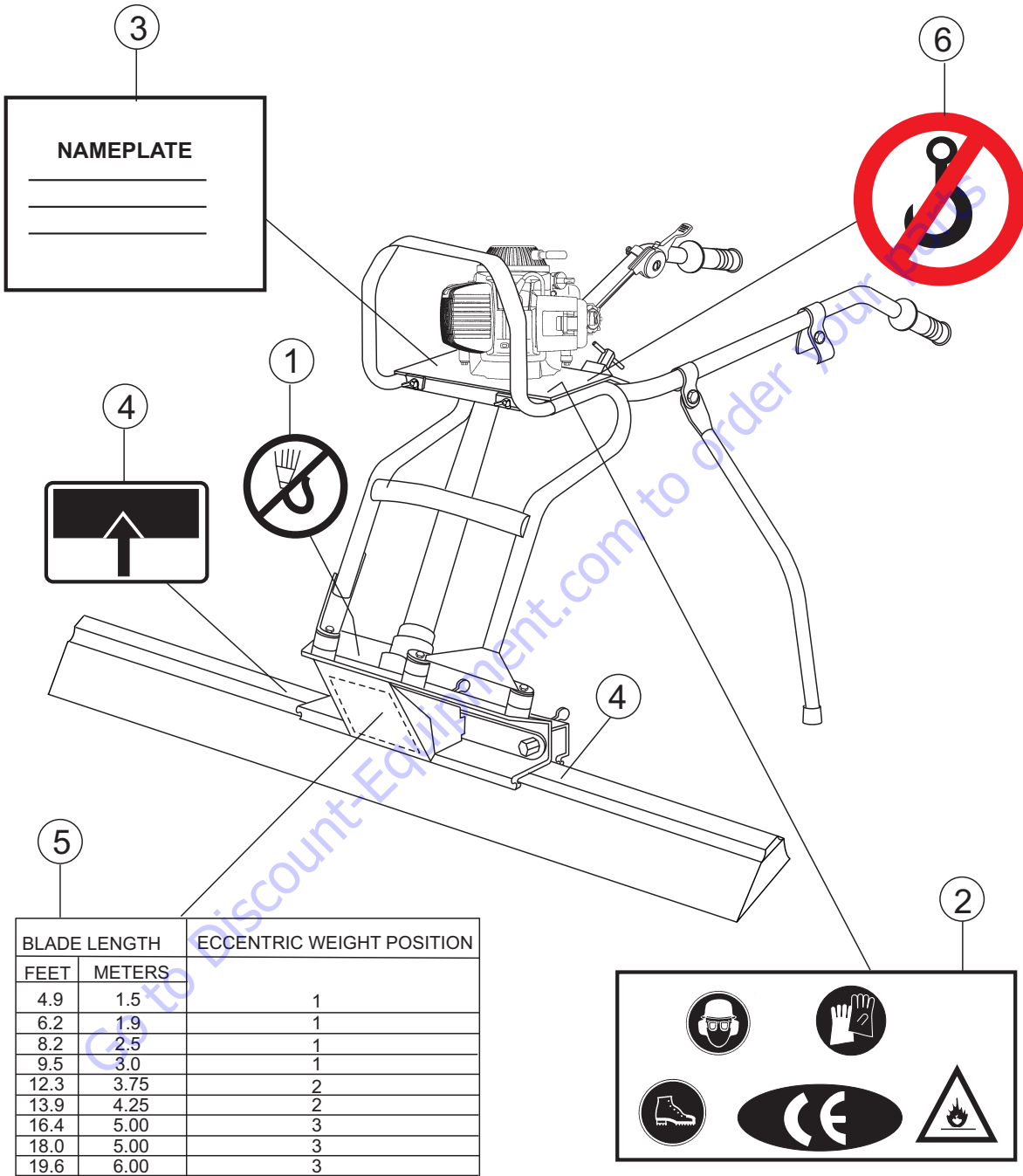
| Qty..... | P/N..... | Description |
|----------|-------------|-------------------------|
| 2 | BF2648 | HANDLE GRIP |
| 1 | BF2647 | THROTTLE GRIP |
| 2 | BF2645LW | THROTTLE CABLE |
| 1 | BF2621LW | FLEXIBLE SHAFT |
| 1 | BF2609N | ECCENTRIC COVER |
| 3 | BF2607 | COMPRESSION SPRING |
| 1 | BF2605LW | ALUMINUM CLAMPING STRIP |
| 3 | BF0176 | WASHER |
| 3 | BF2606 | WING BOLT |
| 1 | BF2643 | STOP SWITCH |
| 3 | BF0325 | WING BOLT M6X12 |
| 3 | 31915Z0H003 | SPARK PLUG, NGK |
| 3 | 17211Z0Z000 | ELEMENT AIR |
| 1 | 15600ZM3003 | CAP, OIL FILLER |
| 1 | 28400Z0Z003 | RECOIL STARTER ASSY. |
| 3 | 17672ZM3003 | FILTER, FUEL |
| 1 | 17620ZM3043 | CAP ASSY., FUEL TANK |
| 1 | 28462ZM3003 | ROPE, RECOIL STARTER |



Part numbers on this Suggested Spare Parts List may supercede/replace the P/N shown in the text pages of this book.

DSGPULW DUOSCREED — NAME PLATE AND DECALS

NAME PLATE AND DECALS.



DSGPULW DUOSCREED — NAME PLATE AND DECALS

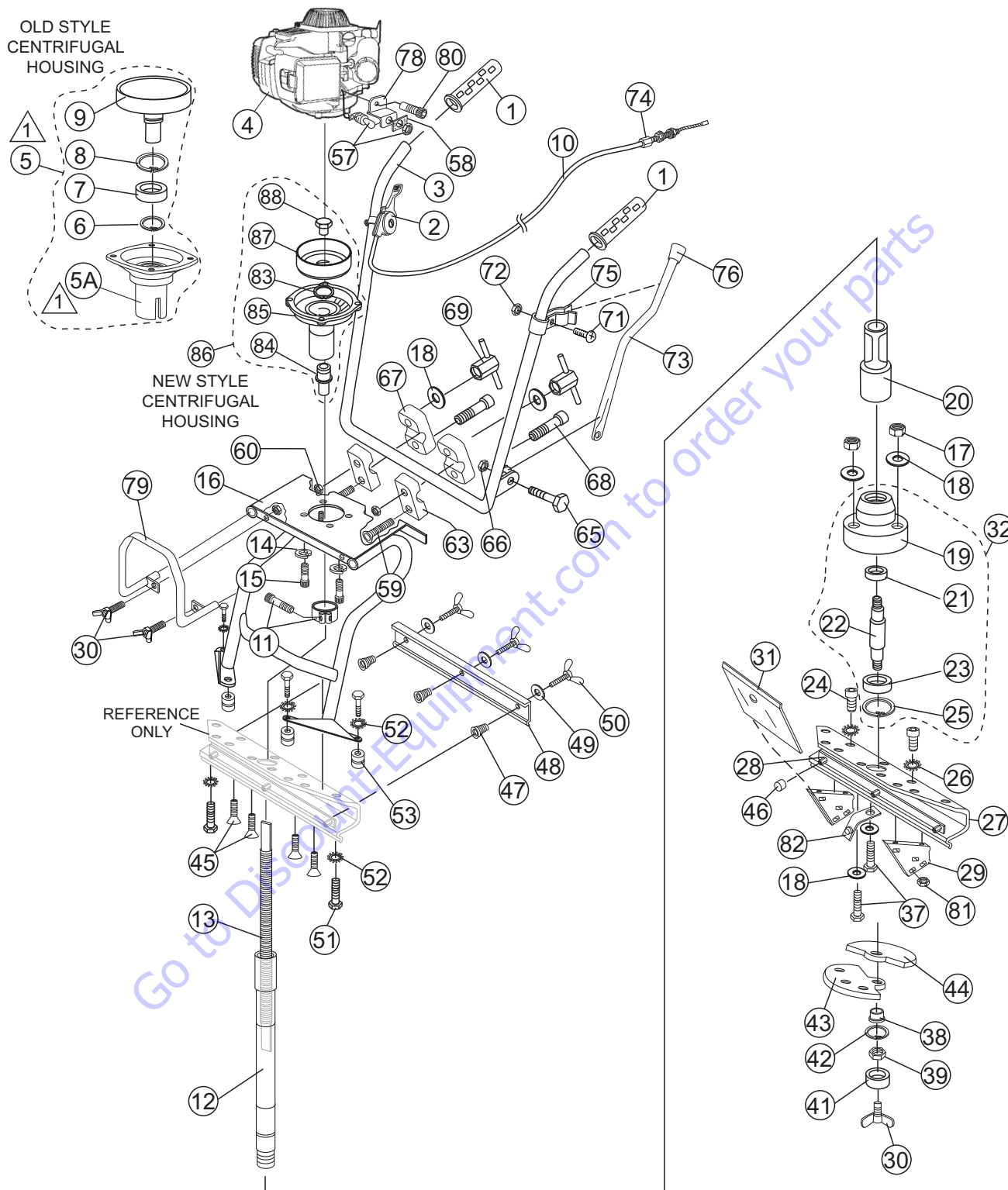
NAME PLATE AND DECALS.

| <u>NO</u> | <u>PART NO</u> | <u>PART NAME</u> | <u>QTY.</u> | <u>REMARKS</u> |
|-----------|----------------|------------------------------|-------------|--------------------------------------|
| 1* | DCL121 | DECAL, PRESSURE HOSE | 1 | |
| 2* | DCL122 | DECAL, SAFETY | 1 | |
| 3 | | PLATE, SERIAL NO. | 1 | CONTACT MQ PARTS DEPT. W/MODEL & S/N |
| 4* | DCL140 | DECAL, ALIGNMENT ARROWS | 2 | |
| 5* | DCL141 | DECAL, ECCENTRIC WT. CHART | 1 | |
| 6 | BF260002 | DECAL, DO NOT LIFT (HOOK) | 1 | |
| | DCLDS-SERIES | KIT, DECAL | 1 | INCLUDES ITEMS W/* |

Go to Discount-Equipment.com to order your parts

DSGPULW DUOSCREED — MAIN ASSY.

DUO SCREED MAIN ASSY.



NOTES

- 1 OLD STYLE CENTRIFUGAL HOUSING ASSEMBLY
NO LONGER AVAILABLE. IF REPLACEMENT OF ITEM 5A
IS REQUIRED, ORDER NEW STYLE HOUSING ASSEMBLY, ITEM 86.

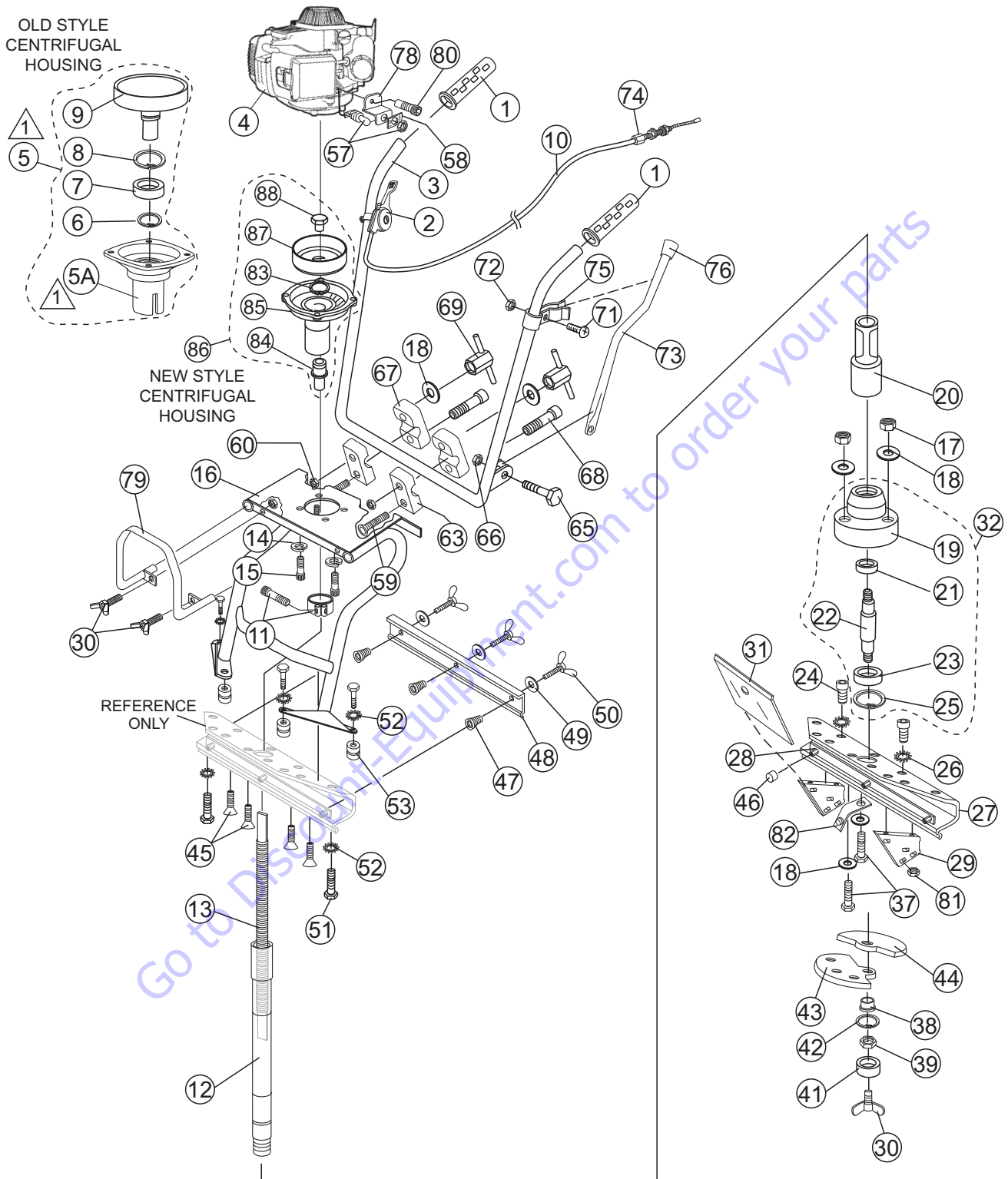
DSGPULW DUOSCREED — MAIN ASSY.

DUO SCREED MAIN ASSY.

| <u>NO.</u> | <u>PART NO.</u> | <u>PART NAME</u> | <u>QTY.</u> | <u>REMARKS</u> |
|------------|-----------------|--------------------------------------|-------------|---|
| 1 | BF2648 | HANDLE GRIP | 2 | |
| 2 | BF2647 | THROTTLE HANDLE | 1 | |
| 3 | BF2633LW | UPPER OPERATING HANDLE | 1 | |
| 4 | 2640A35 | ENGINE HONDA GX-35SAT | 1 | |
| 5 | | CENTRIFUGAL CLUTCH HOUSING CP | 1 | NO LONGER AVAILABLE S/N 0185 AND BELOW SEE NOTE ON DRAWING INCLUDES ITEM W/* |
| 5A* | | CENTRIFUGAL CLUTCH HOUSING | 1 | NO LONGER AVAILABLE S/N 0185 AND BELOW SEE NOTE ON DRAWING |
| 6* | BF0201 | RETAINING RING 17 X 1 MM | 1 | S/N 0185 AND BELOW IN CENTRIFUGAL HOUSING |
| 7* | BF2642C | BEARING IN CENTRIFUGAL HOUSING | 1 | S/N 0185 AND BELOW |
| 8* | BF0205 | RETAINING RING (BIG) | 1 | S/N 0185 AND BELOW |
| 9* | BF2642 | CENTRIFUGAL DRUM | 1 | S/N 0185 AND BELOW |
| 10 | BF2645LW | INNER & OUTER CABLE, 87 CMS. | 1 | |
| 11 | BF2626 | CENTRIFUGAL HOUSING CLAMP | 1 | |
| 12 | BF2625LW | RUBBER HOSE WITH CONNECTORS | 1 | |
| 13 | BF2621LW | FLEXIBLE SHAFT | 1 | |
| 14 | BF0178 | SPRING WASHER M6 TYPE B | 4 | |
| 15 | BF0165 | SOCKET HEAD BOLT M6 X 25 | 4 | |
| 16 | BF2632LW | LOWER OPERATING HANDLE | 1 | |
| 17 | BF0101 | SELF LOCKING NUT M8 | 3 | |
| 18 | BF0155 | FLAT WASHER M8 | 8 | |
| 19% | BF2611 | ECCENTRIC HOUSING | 1 | |
| 20 | BF1100000008 | COUPLING DRIVE PIN | 1 | |
| 21% | BF2619 | BEARING (SMALL) | 1 | |
| 22% | BF2612 | ECCENTRIC SHAFT | 1 | |
| 23% | BF2314 | BEARING (BIG) | 1 | |
| 24 | BF0278 | TAP BOLT M8 X 30 | 4 | REPLACES P/N BF0125 |
| 25% | BF0201 | RETAINING RING 17 X 1MM | 1 | |
| 26 | BF0213 | TOOTH WASHER M8 | 4 | |
| 27 | BF2604LW | ECCENTRIC ASSEMBLY PLATE | 1 | |
| 28 | BF2610LW | STRIP & NUTS FOR ALUMINUM CLAMP | 1 | |
| 29 | BF2608N | SUPPORT BLOCK | 2 | |
| 30 | BF0325 | WING BOLT M6 X12 | 3 | |
| 31 | BF2609N | ECCENTRIC COVER | 1 | |
| 32 | BF2611KOMPL | ECCENTRIC HOUSING COMPLETE | 1 | INCLUDES ITEMS W/% |
| 37 | BF0129 | TAP BOLT M8 X 40 | 3 | |
| 38 | BF2614 | ECCENTRIC HINGE BUSHING | 1 | |
| 39 | BF0177 | NUT M12 (FINE) | 1 | |
| 41 | BF2613 | ECCENTRIC CLAMPING BUSH | 1 | |

DSGPULW DUOSCREED — MAIN ASSY.

DUO SCREED MAIN ASSY.



NOTES

- 1 OLD STYLE CENTRIFUGAL HOUSING ASSEMBLY
NO LONGER AVAILABLE. IF REPLACEMENT OF ITEM 5A
IS REQUIRED, ORDER NEW STYLE HOUSING ASSEMBLY, ITEM 86.

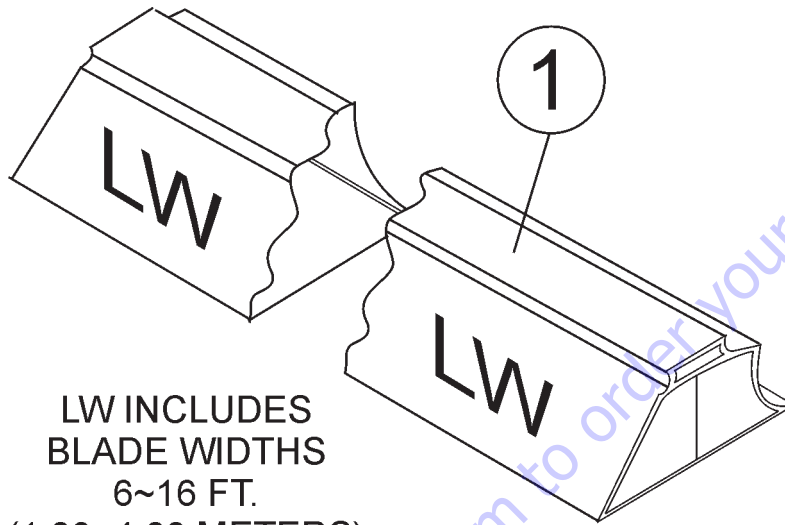
DSGPULW DUOSCREED — MAIN ASSY.

DUO SCREED MAIN ASSY.

| <u>NO.</u> | <u>PART NO.</u> | <u>PART NAME</u> | <u>QTY.</u> | <u>REMARKS</u> |
|------------|-----------------|---------------------------------------|-------------|--|
| 42 | BF0175 | RETAINING RING M12 | 1 | |
| 43 | BF2615A | ECCENTRIC PLATE (SMALL) | 1 | |
| 44 | BF2615B | ECCENTRIC PLATE (BIG) | 1 | |
| 45 | BF0207 | COUNTERSUNK HEADSCREW 8.8 M8X25 | 4 | |
| 46 | BF2617 | PLASTIC PROTECTION CAP M12 | 3 | |
| 47 | BF2607 | COMPRESSION SPRING FOR CLAMPING STRIP | 3 | |
| 48 | BF2605LW | ALUMINUM CLAMPING STRIP | 1 | |
| 49 | BF0176 | WASHER M12X6 | 3 | |
| 50 | BF2606 | WING BOLT | 3 | |
| 51 | BF0285 | TAP BOLT M8X12 | 3 | |
| 52 | BF0212 | INTERNAL TOOTHING RING M8 | 8 | |
| 53 | BF0056 | RUBBER BUFFER 30X30 M8 | 4 | |
| 54 | BF0124 | TAP BOLT M8X10 | 4 | |
| 56 | BF2643A | GROUND WIRE FOR STOP SWITCH | 1 | |
| 57 | BF2643 | STOP SWITCH | 1 | INCLUDES ITEMS W/# |
| 58# | BF2658 | START-STOP DECAL | 1 | |
| 59 | BF0283 | CARRIAGE BOLT M8X50 | 2 | |
| 60 | BF0089 | SELF LOCKING FLANGE NUT M6 | 2 | |
| 63 | BF2635 | LOWER ALUMINUM CLAMP | 2 | |
| 65 | BF0181 | TAP BOLT M6X30 | 1 | REPLACES P/N BF0258 |
| 66 | BF0100 | SELF LOCKING NUT | 1 | |
| 67 | BF2635A | UPPER ALUMINUM CLAMP | 2 | |
| 68 | BF0284 | SOCKET HEAD BOLT M6X40 | 2 | |
| 69 | BF2636 | CLAMP FOR HEIGHT ADJUSTMENT | 2 | |
| 71 | BF0167 | SCREW M5X16 | 1 | REPLACES P/N BF0261 |
| 72 | BF0099 | SELF LOCKING NUT M5 | 1 | |
| 73 | BF2637LW | SUPPORTING LEG | 1 | |
| 74 | BF2644 | GAS THROTTLE ADJUSTMENT BOLT | 1 | |
| 75 | BF2639 | CLAMP FOR SUPPORTING LEG | 1 | |
| 76 | BF2634 | RUBBER PROTECTION CAP FOR SUPPORT LEG | 1 | |
| 78 | BF2321H | SWITCH BRACKET | 1 | |
| 79 | 260075LW | LIFTING HANDLE STEEL | 1 | |
| 80 | BF0269 | SOCKET HEAD BOLT M5 X12 | 1 | |
| 81 | BF0206 | SQUARE NUTS M8 | 8 | |
| 82 | BF26061 | SPRING CLIP, COVER PLATE | 1 | |
| 83@ | BF0217 | RETAINING RING | 1 | S/N 0186 AND ABOVE |
| 84@ | BF2653 | COUPLING DRIVE PIN | 1 | S/N 0186 AND ABOVE |
| 85@ | BF2641LOS | CENTRIFUGAL HOUSING W/BEARING | 1 | S/N 0186 AND ABOVE |
| 86 | BF2641 | CENTRIFUGAL HOUSING COMPLETE | 1 | INCLUDES ITEMS W/@ S/N 0186 AND ABOVE |
| 87@ | BF2652 | CENTRIFUGAL DRUM | 1 | S/N 0186 AND ABOVE |
| 88@ | BF2627 | BOLT M12 X 16 | 1 | S/N 0186 AND ABOVE |

DSGPULW DUOSCREED — BLADE ASSY.

DUO SCREED BLADE ASSY.



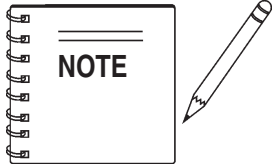
LW INCLUDES
BLADE WIDTHS
6~16 FT.
(1.83~4.88 METERS)

Go to Discount-Equipment.com to order your parts

DSGPULW DUOSCREED — BLADE ASSY.

DUO SCREED BLADE ASSY.

| <u>NO.</u> | <u>PART NO.</u> | <u>PART NAME</u> | <u>QTY.</u> | <u>REMARKS</u> |
|------------|-----------------|---|-------------|-------------------------|
| 1 | DSB6LW | DUOSCREED BLADE 1.83 MTR. - 6 FT. | 1 | REPLACES P/N BF260018LW |
| 1 | DSB8LW | DUOSCREED BLADE 2.44 MTR. - 8 FT. | 1 | REPLACES P/N BF260024LW |
| 1 | DSB10LW | DUOSCREED BLADE 3.05 MTR. - 10 FT. | 1 | REPLACES P/N BF260030LW |
| 1 | DSB12LW | DUOSCREED BLADE 3.66 MTR. - 12 FT. | 1 | REPLACES P/N BF260036LW |
| 1 | DSB14LW | DUOSCREED BLADE 4.27 MTR. - 14 FT. | 1 | REPLACES P/N BF260042LW |
| 1 | DSB16LW | DUOSCREED BLADE 4.88 MTR. - 16 FT. | 1 | REPLACES P/N BF260048LW |

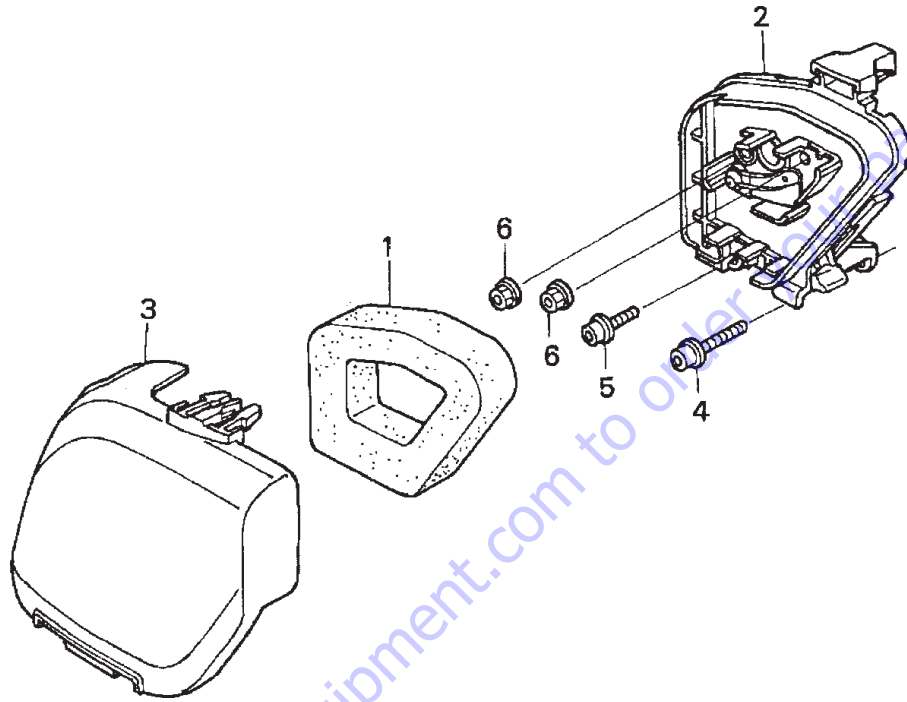


ITEM 1, IS AN ACCESSORY. ORDER FROM UNIT SALES DEPT.

Go to Discount-Equipment.com to order your parts

HONDA GX35SAT ENGINE — AIR CLEANER ASSY.

AIR CLEANER ASSY.



HONDA GX35SAT ENGINE — AIR CLEANER ASSY.

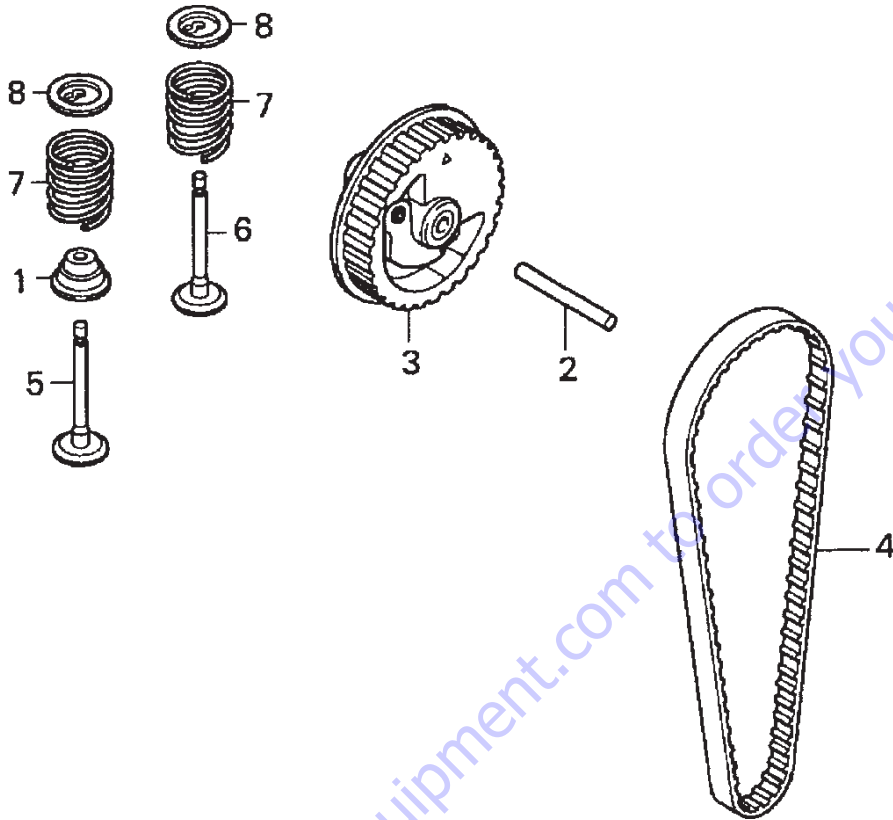
AIR CLEANER ASSY.

| <u>NO.</u> | <u>PART NO.</u> | <u>PART NAME</u> | <u>QTY.</u> | <u>REMARKS</u> |
|------------|-----------------|----------------------|-------------|----------------|
| 1 | 17211Z0Z000 | ELEMENT, AIR CLEANER | 1 | |
| 2 | 17220Z0Z000 | HOUSING, AIR CLEANER | 1 | |
| 3 | 17231Z0Z000 | COVER, AIR CLEANER | 1 | |
| 4 | 90009Z0Z003 | BOLT, SOCKET 5X25 | 1 | |
| 5 | 90018Z0H003 | BOLT, SOCKET 5X16 | 1 | |
| 6 | 9405005000 | NUT FLANGE 5MM | 2 | |

Go to Discount-Equipment.com to order your parts

HONDA GX35SAT ENGINE — CAM PULLEY ASSY.

CAM PULLEY ASSY.



Go to Discount-Equipment.com to order your parts

HONDA GX35SAT ENGINE — CAM PULLEY ASSY.

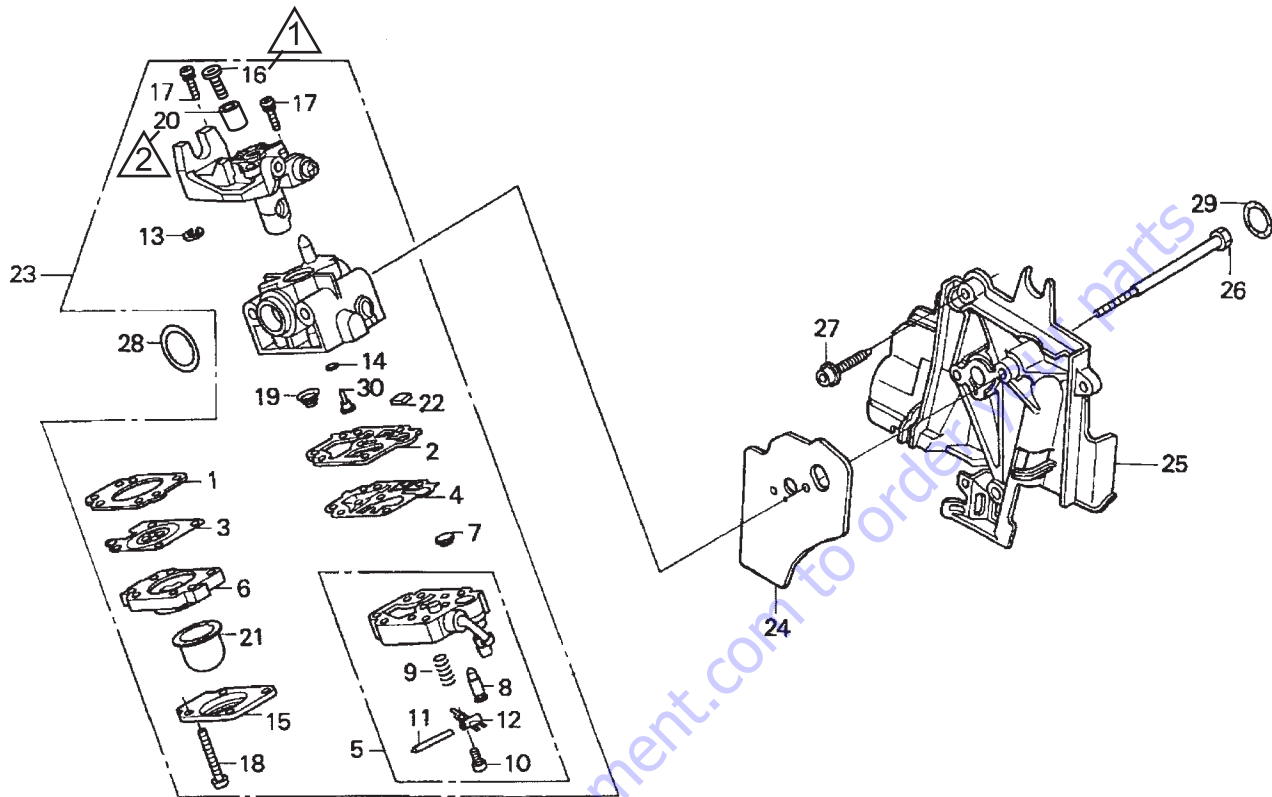
CAM PULLEY ASSY.

| <u>NO.</u> | <u>PART NO.</u> | <u>PART NAME</u> | <u>QTY.</u> | <u>REMARKS</u> |
|------------|-----------------|--------------------------|-------------|----------------|
| 1 | 12209Z0H003 | SEAL, VALVE STEM | 1 | |
| 2 | 14123Z0Z003 | ROLLER 4X31.8 | 1 | |
| 3 | 14320Z0Z000 | PULLEY, CAMSHAFT | 1 | |
| 4 | 14400Z0Z003 | BELT, TIMING 76ZU7 G-300 | 1 | |
| 5 | 14711Z0Z000 | VALVE, IN. | 1 | |
| 6 | 14721Z0Z000 | VALVE, EX. | 1 | |
| 7 | 14751Z0Z000 | SPRING VALVE | 2 | |
| 8 | 14771Z0H000 | RETAINER, VALVE SPRING | 2 | |

Go to Discount-Equipment.com to order your parts

HONDA GX35SAT ENGINE — CARBURETOR ASSY.

CARBURETOR ASSY.



① REPLACE HONDA
P/N 16027ZM3004 ITEM 16,
WITH MQ P/N BF0239

② REPLACE HONDA
P/N 16031ZM3004 ITEM 20,
WITH MQ P/N BF2646

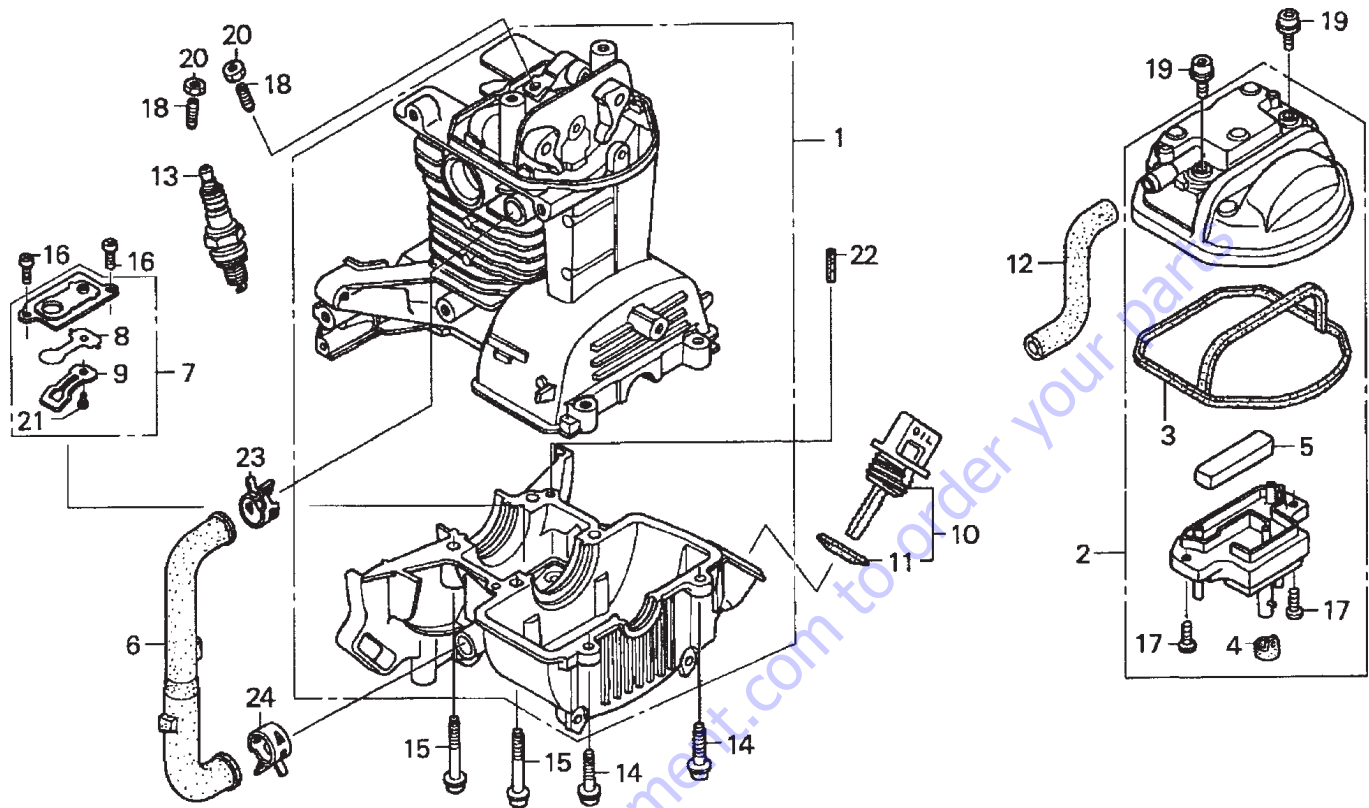
HONDA GX35SAT ENGINE — CARBURETOR ASSY.

CARBURETOR ASSY.

| <u>NO.</u> | <u>PART NO.</u> | <u>PART NAME</u> | <u>QTY.</u> | <u>REMARKS</u> |
|------------|-----------------|--------------------------------|-------------|--------------------|
| 1# | 16010ZM3004 | GASKET,METERING DIAPHRAGM | 1 | |
| 2# | 16011Z0H003 | GASKET, PUMP | 1 | |
| 3# | 16013Z0H003 | DIAPHRAGM ASSY.,METERING | 1 | |
| 4# | 16014ZM3004 | DIAPHRAGM, PUMP | 1 | |
| 5# | 16015Z0H003 | BODY ASSY., PUMP | 1 | INCLUDES ITEMS W/* |
| 6# | 16017ZM3004 | BODY ASSY.,AIR PURGE | 1 | |
| 7# | 16018ZM3802 | SCREEN, INLET | 1 | |
| 8*# | 16019ZM3004 | VALVE, INLET NEEDLE | 1 | |
| 9*# | 16020ZM3004 | SPRING, METERING LEVER | 1 | |
| 10*# | 16021ZM3004 | SCREW, METERING LEVER PIN | 1 | |
| 11*# | 16022ZM3004 | PIN, METERING LEVER | 1 | |
| 12*# | 16023ZM3004 | LEVER, METERING | 1 | |
| 13# | 16024Z0H003 | RING, RETAINING | 1 | |
| 14# | 16025ZM3004 | O-RING | 1 | |
| 15# | 16026ZM3004 | COVER, PRIMER PUMP | 1 | |
| 16# | BF0239 | SCREW, M3 X 16 | 1 | MQ PART ONLY |
| 17# | 16028ZM3004 | SCREW, THROTTLE COLLAR | 2 | |
| 18# | 16029ZM3004 | SCREW, PUMP COVER | 4 | |
| 19# | 16030ZM3004 | SPRING PUMP | 1 | |
| 20 | BF2646 | RPM LIMITER WASHER | 1 | MQ PART ONLY |
| 21# | 16032ZM3004 | PUMP, PRIMER | 1 | |
| 22# | 16035ZM3802 | FILTER, FUEL INLET | 1 | |
| 23 | 16100Z0Z004 | CARBURETOR ASST. WYB 16A | 1 | INCLUDES ITEMS W/# |
| 24 | 16221Z0Z000 | GASKET, CARBURETOR | 1 | |
| 25 | 19631Z0Z000 | SHROUD | 1 | |
| 26 | 90014Z0H003 | BOLT, 5X35 | 2 | |
| 27 | 90018Z0H003 | BOLT, SOCKET 5X16 | 2 | |
| 28 | 91301ZM3000 | O-RING, 14.8X2.4 | 1 | |
| 29 | 91308Z0H003 | O-RING, 12.3X2.4 | 1 | |
| 30 | 99101ZM50350 | JET, #35 OPTIONAL | 1 | |
| 30 | 99101Z0Z0360 | JET, #36 OPTIONAL | 1 | |
| 30# | 99101Z0Z0370 | JET, #37 | 1 | |

HONDA GX35SAT ENGINE — CRANKCASE ASSY.

CRANKCASE ASSY.



HONDA GX35SAT ENGINE — CRANKCASE ASSY.

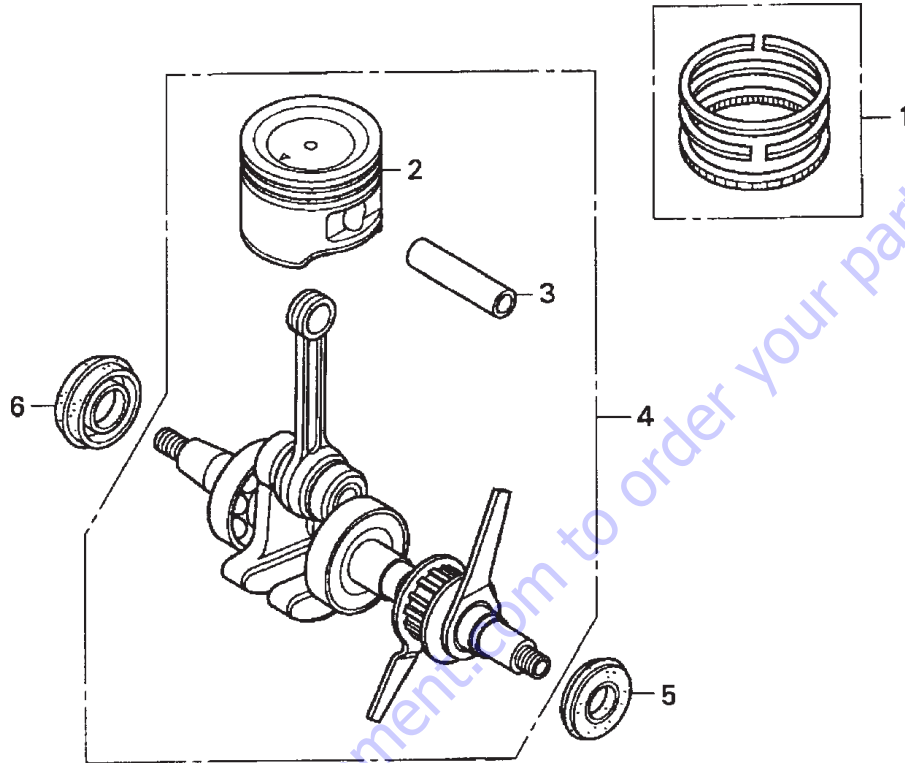
CRANKCASE ASSY.

| <u>NO.</u> | <u>PART NO.</u> | <u>PART NAME</u> | <u>QTY.</u> | <u>REMARKS</u> |
|------------|-----------------|-----------------------------------|-------------|--------------------|
| 1 | 10100Z0Z405 | CRANKCASE SET | 1 | |
| 2 | 12310Z0Z000 | COVER, CYLINDER HEAD | 1 | INCLUDES ITEMS W/* |
| 3* | 12312Z0Z300 | SEAL, HEAD COVER | 1 | |
| 4* | 12314Z0H300 | GROMMET, HEAD COVER | 1 | |
| 5* | 12367Z0H000 | FILTER, BREATHER | 1 | |
| 6 | 15422Z0Z000 | TUBE, OIL | 1 | |
| 7 | 15510Z0H000 | PLATE ASSY., OIL OUTLET VAL. | 1 | INCLUDES ITEMS/W# |
| 8# | 15571ZM3003 | VALVE, OIL OUTLET | 1 | |
| 9# | 15572Z0H000 | PLATE, STOPPER | 1 | |
| 10 | 15600ZM3003 | CAP ASSY., OIL FILLER | 1 | INCLUDES ITEM/W% |
| 11% | 15625ZE1003 | GASKET, OIL FILLER CAP | 1 | |
| 12 | 15721Z0Z000 | TUBE, BREATHER | 1 | |
| 13 | 31915Z0H003 | SPARK PLUG, CMR5H NGK | 1 | |
| 13 | 31916Z0H003 | SPARK PLUG, CMR6H NGK OPTIONAL | 1 | |
| 14 | 90009Z0H003 | BOLT, SOCKET 5X20 | 2 | |
| 15 | 90010Z0Z003 | BOLT, SOCKET 5X32 | 4 | |
| 16 | 90013Z0H004 | SCREW, PAN 4X8 | 2 | |
| 17* | 90013Z0Z003 | SCREW, PAN 4X8 | 2 | |
| 18 | 90017Z0H000 | SCREW, TAPPET ADJUSTING | 2 | |
| 19 | 90019Z0H003 | BOLT, SOCKET 5X12 | 2 | |
| 20 | 90206ZM3000 | NUT, TAPPET ADJUSTING | 2 | |
| 21# | 93500030050A | SCREW, PAN 3X5 | 1 | |
| 22 | 9430540102 | PIN, SPRING 4X10 | 1 | |
| 23 | 950024120008 | CLIP, TUBE D12 | 1 | |
| 24 | 950024130004 | CLIP TUBE D13.0 | 1 | |

Go to Discount-Equipment.com to order your parts

HONDA GX35SAT ENGINE — CRANKSHAFT AND PISTON ASSY.

CRANKSHAFT AND PISTON ASSY.



HONDA GX35SAT ENGINE — CRANKSHAFT AND PISTON ASSY.

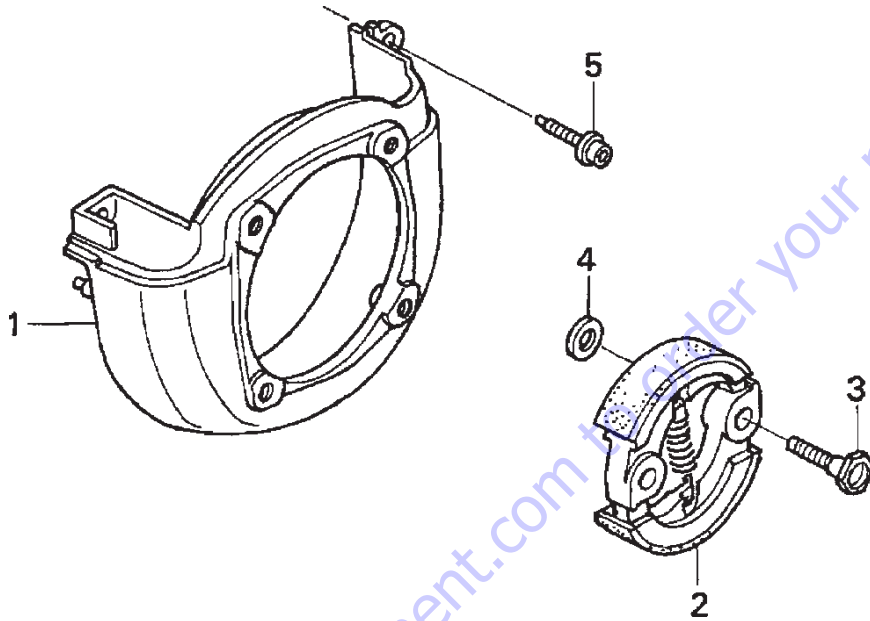
CRANKSHAFT AND PISTON ASSY.

| <u>NO.</u> | <u>PART NO.</u> | <u>PART NAME</u> | <u>QTY.</u> | <u>REMARKS</u> |
|------------|-----------------|-------------------|-------------|--------------------|
| 1 | 13010ZM5000 | RING SET, PISTON | 1 | |
| 2* | 13101Z0Z000 | PISTON | 1 | |
| 3* | 13111ZM5000 | PIN, PISTON | 1 | |
| 4 | 13310Z0Z000 | CRANKSHAFT | 1 | INCLUDES ITEMS W/* |
| 5 | 91212Z0H003 | OIL SEAL, 10X20X5 | 1 | |
| 6 | 91214ZM3003 | OIL SEAL, 15X25X6 | 1 | |

Go to Discount-Equipment.com to order your parts

HONDA GX35SAT ENGINE — FAN COVER AND CLUTCH ASSY.

FAN COVER AND CLUTCH ASSY.



HONDA GX35SAT ENGINE — FAN COVER AND CLUTCH ASSY.

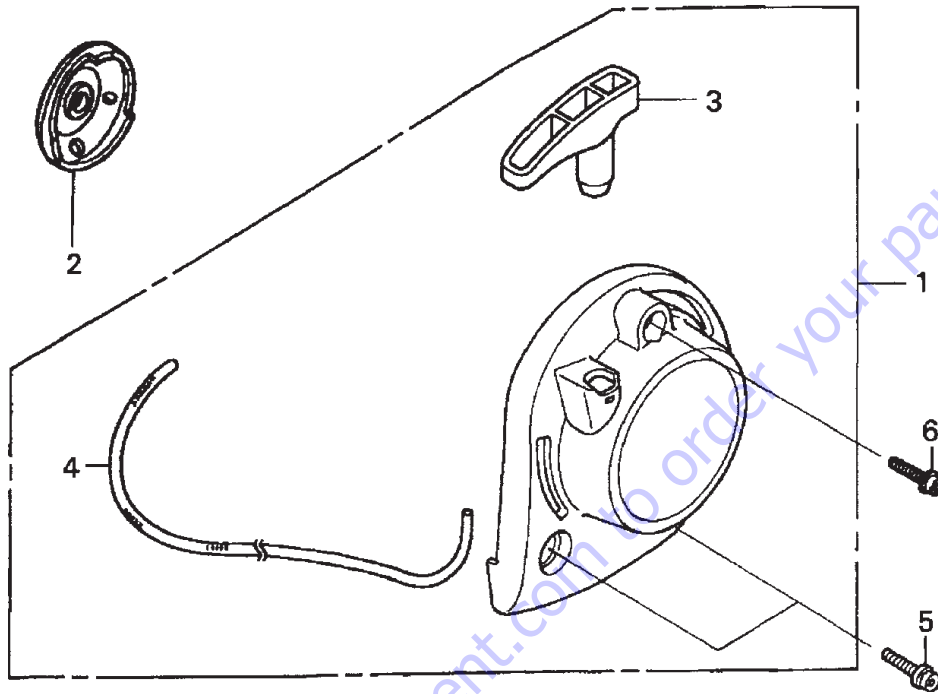
FAN COVER AND CLUTCH ASSY.

| <u>NO.</u> | <u>PART NO.</u> | <u>PART NAME</u> | <u>QTY.</u> | <u>REMARKS</u> |
|------------|-----------------|---------------------|-------------|----------------|
| 1 | 19611Z0Z000 | COVER, FAN | 1 | |
| 2 | 22000ZM5003 | CLUTCH ASSY. | 1 | |
| 3 | 22253ZM5003 | BOLT, CLUTCH 8MM | 2 | |
| 4 | 22254ZM5003 | WASHER, CLUTCH 8X17 | 2 | |
| 5 | 90009Z0H003 | BOLT, SOCKET 5X20 | 3 | |

Go to Discount-Equipment.com to order your parts

HONDA GX35SAT ENGINE — RECOIL STARTER ASSY.

RECOIL STARTER ASSY.



HONDA GX35SAT ENGINE — RECOIL STARTER ASSY.

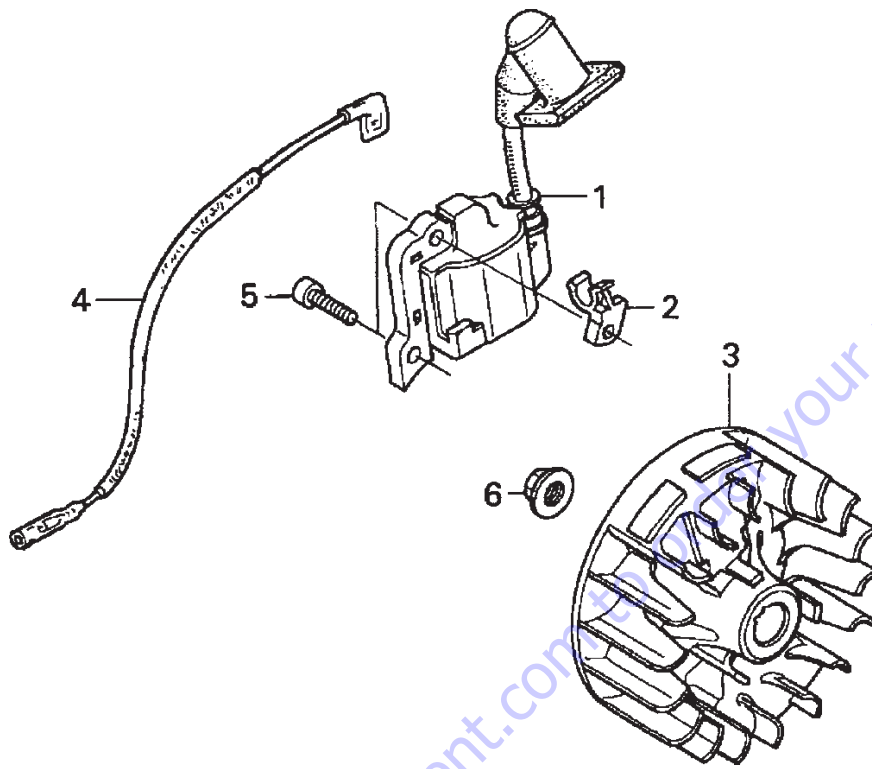
RECOIL STARTER ASSY.

| <u>NO.</u> | <u>PART NO.</u> | <u>PART NAME</u> | <u>QTY.</u> | <u>REMARKS</u> |
|------------|-----------------|-------------------------------|-------------|--------------------|
| 1 | 28400Z0Z003 | STARTER ASSY., RECOIL | 1 | INCLUDES ITEMS W/* |
| 2 | 28451Z0H003 | PULLEY, RECOIL STARTER | 1 | |
| 3* | 28461ZM3003 | KNOB, RECOIL STARTER | 1 | |
| 4* | 28462ZM3003 | ROPE, RECOIL STARTER #3.5X40" | 1 | |
| 6 | 90018Z0H003 | BOLT, SOCKET 5X16 | 1 | |

Go to Discount-Equipment.com to order your parts

HONDA GX35SAT ENGINE — FLYWHEEL/IGNITION COIL ASSY.

FLYWHEEL/IGNITION COIL ASSY.



HONDA GX35SAT ENGINE — FLYWHEEL/IGNITION COIL ASSY.

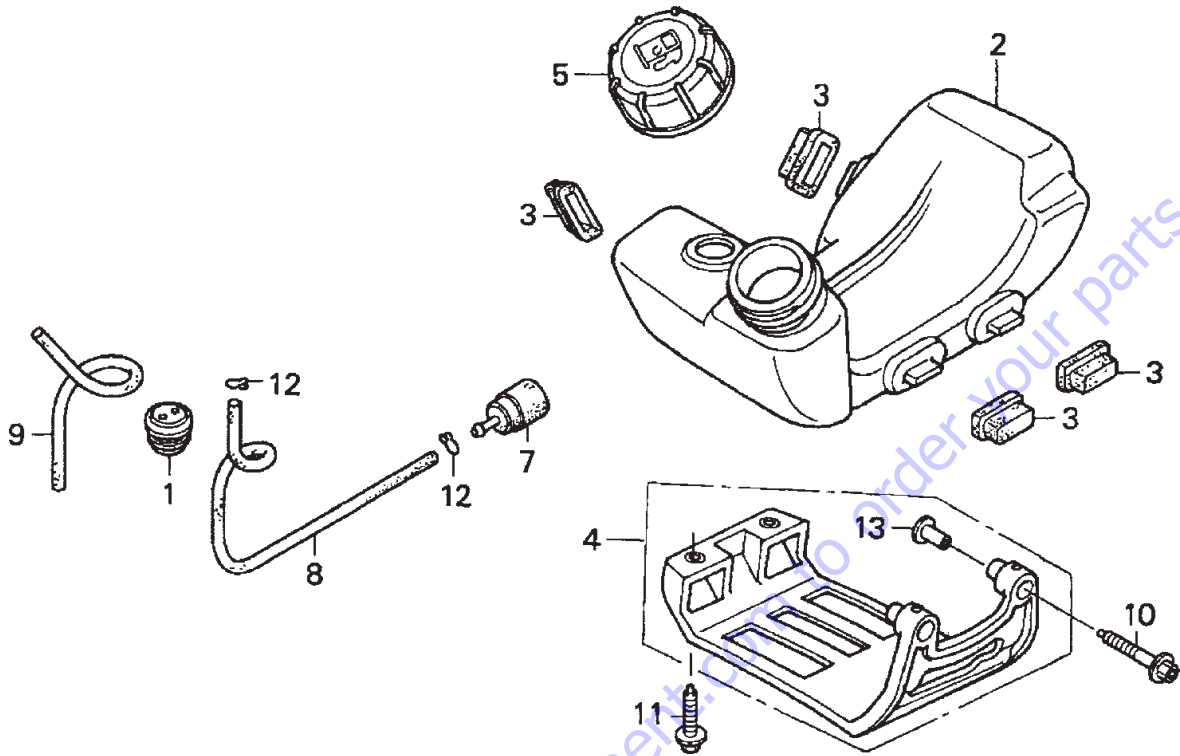
FLYWHEEL/IGNITION COIL ASSY.

| <u>NO.</u> | <u>PART NO.</u> | <u>PART NAME</u> | <u>QTY.</u> | <u>REMARKS</u> |
|------------|-----------------|----------------------|-------------|----------------|
| 1 | 30500Z0Z013 | COIL ASSY., IGNITION | 1 | |
| 2 | 30522Z0Z000 | CLIP, IGNITION WIRE | 1 | |
| 3 | 31110Z0Z003 | FLYWHEEL | 1 | |
| 4 | 32195Z0Z000 | WIRE, STOP SWITCH | 1 | |
| 5 | 90012Z0H005 | BOLT, SOCKETC 4X14 | 2 | |
| 6 | 9405008000 | NUT FLANGE 8MM | 1 | |

Go to Discount-Equipment.com to order your parts

HONDA GX35SAT ENGINE — FUEL TANK ASSY.

FUEL TANK ASSY.



HONDA GX35SAT ENGINE — FUEL TANK ASSY.

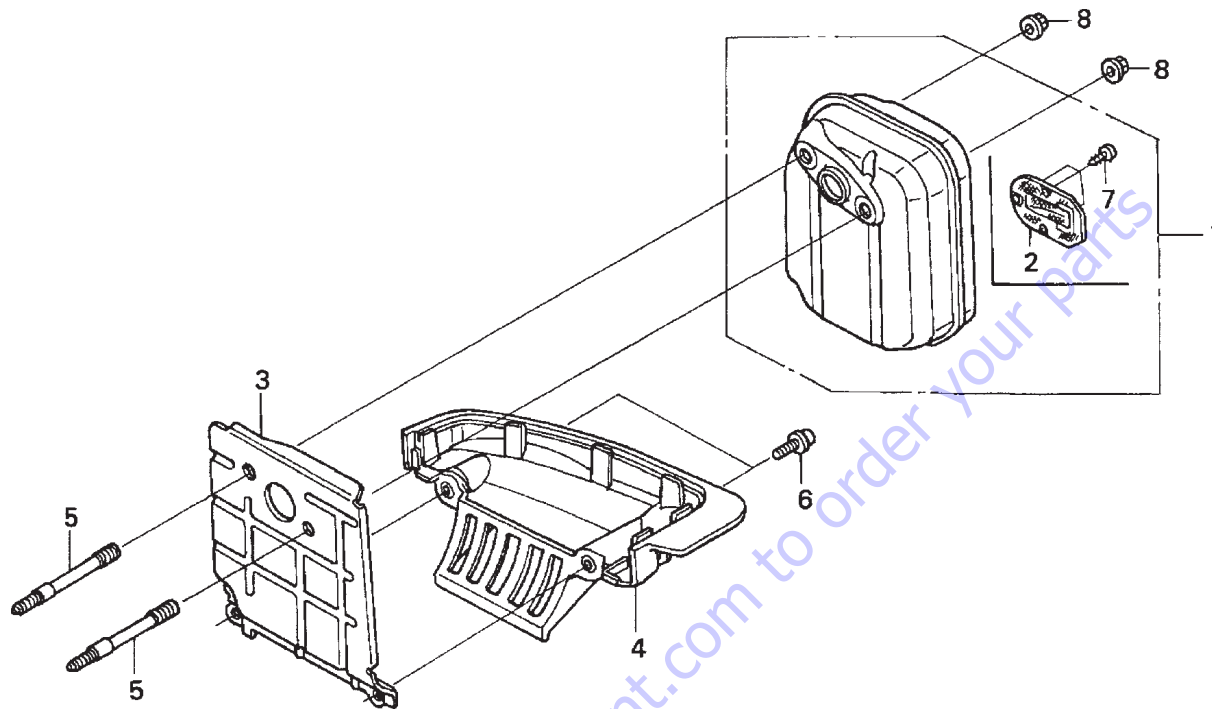
FUEL TANK ASSY.

| <u>NO.</u> | <u>PART NO.</u> | <u>PART NAME</u> | <u>QTY.</u> | <u>REMARKS</u> |
|------------|-----------------|-----------------------|-------------|--------------------|
| 1 | 17504ZM3003 | GROMMET FUEL TUBE | 1 | |
| 2 | 17511Z0Z003 | TANK, FUEL | 1 | |
| 3 | 17533Z0H000 | RUBBER, TANK MOUNTING | 4 | |
| 4 | 17555Z0Z000 | GUARD, TANK | 1 | INCLUDES ITEMS W/* |
| 5 | 17620ZM3043 | CAP ASSY., FUEL TANK | 1 | |
| 7 | 17672ZM3003 | FILTER, FUEL | 1 | |
| 8 | 17701Z0Z000 | TUBE, FUEL TANK | 1 | |
| 9 | 17702Z0Z000 | TUBE, FUEL RETURN | 1 | |
| 10 | 90010Z0H003 | BOLT, SOCKET 5X30 | 2 | |
| 11 | 90018Z0H003 | BOLT, SOCKET 5X16 | 2 | |
| 12 | 91401ZM30063 | CLIP, TUBE | 2 | |
| 13* | 91501Z0H000 | COLLAR, TANK GUARD | 2 | |

Go to Discount-Equipment.com to order your parts

HONDA GX35SAT ENGINE — MUFFLER ASSY.

MUFFLER ASSY.



HONDA GX35SAT ENGINE — MUFFLER ASSY.

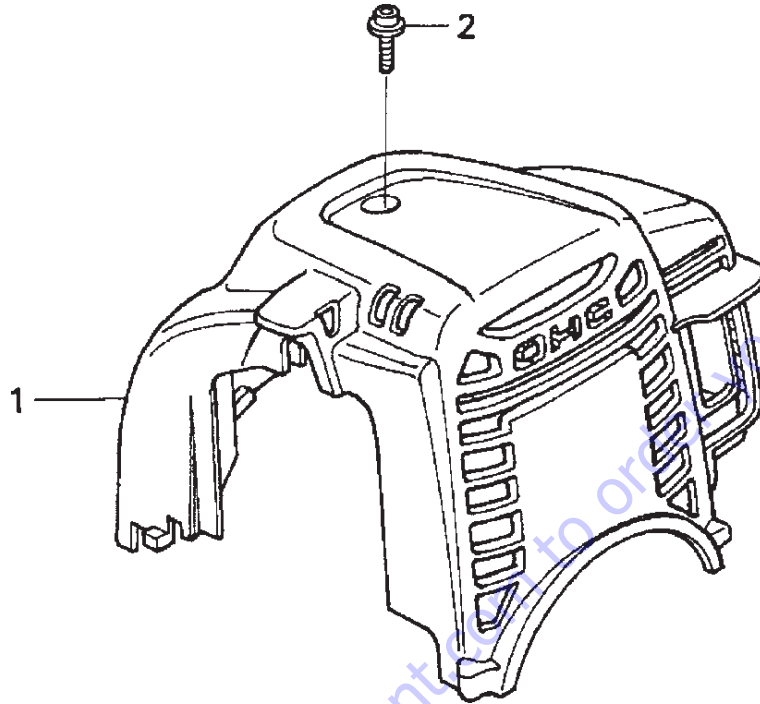
MUFFLER ASSY.

| <u>NO.</u> | <u>PART NO.</u> | <u>PART NAME</u> | <u>QTY.</u> | <u>REMARKS</u> |
|------------|-----------------|---------------------|-------------|--------------------|
| 1 | 18310Z0Z800 | MUFFLER | 1 | INCLUDES ITEMS W/* |
| 2* | 18350Z0Z800 | ARRESTER SPARK | 1 | |
| 3 | 18515Z0Z300 | GUIDE, AIR | 1 | |
| 4 | 18518Z0Z000 | GUIDE, AIR LOWER | 1 | |
| 5 | 90001Z0Z003 | BOLT 2, STUD 5X45.5 | 2 | |
| 6 | 90018Z0H003 | BOLT, SOCKET 5X16 | 2 | |
| 7* | 90055ZE1000 | SCREW, TAPPING 4X6 | 3 | |
| 8 | 90136SM4901 | NUT, SELF-LOCK 5MM | 2 | |

Go to Discount-Equipment.com to order your parts

HONDA GX35SAT ENGINE — ENGINETOP COVER ASSY.

ENGINE TOP COVER ASSY.



HONDA GX35SAT ENGINE — ENGINE TOP COVER ASSY.

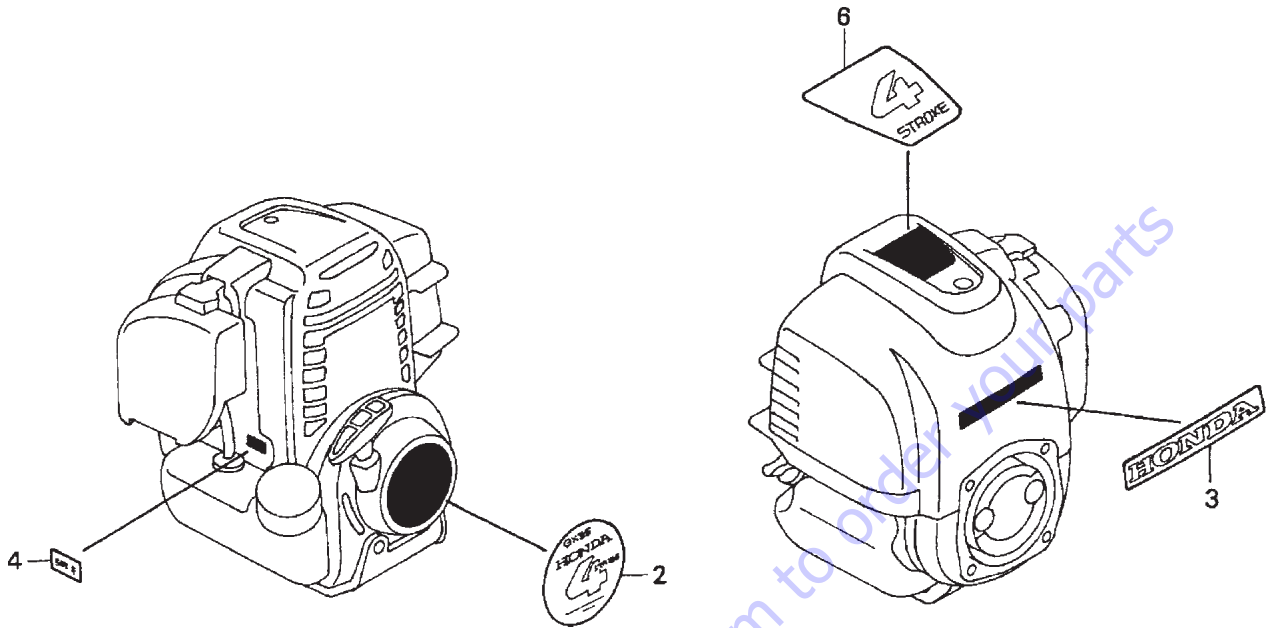
ENGINE TOP COVER ASSY.

| <u>NO.</u> | <u>PART NO.</u> | <u>PART NAME</u> | <u>QTY.</u> | <u>REMARKS</u> |
|------------|-----------------|-----------------------------|-------------|----------------|
| 1 | 19720Z0Z000ZA | COVER, TOP *R280* POWER RED | 1 | |
| 2 | 90015Z0H003 | BOLT, TOP COVER | 1 | |

Go to Discount-Equipment.com to order your parts

HONDA GX35SAT ENGINE — LABELS ASSY.

LABELS ASSY.



HONDA GX35SAT ENGINE — LABELS ASSY.

LABELS ASSY.

| <u>NO.</u> | <u>PART NO.</u> | <u>PART NAME</u> | <u>QTY.</u> | <u>REMARKS</u> |
|------------|-----------------|------------------|-------------|----------------|
| 2 | 87521Z0Z000 | MARK, EMBLEM | 1 | |
| 3 | 87531Z0Z000 | MARK, HONDA | 1 | |
| 4 | 87601Z0H860 | MARK, TYPE SAT | 1 | |
| 6 | 87660Z0Z000 | MARK, 4-STROKE | 1 | |

Go to Discount-Equipment.com to order your parts

PARTS FINDER

**Search Website
by Part Number**



**Search Manual
Library For Parts
Manual & Lookup Part
Numbers – Purchase
or Request Quote**

Search Manuals

Enter your information to search for manuals and parts.

* Brand:

* Model:

* Serial:

* Part Number:

SEARCH

**Can't Find Part or
Manual? Request Help
by Manufacturer,
Model & Description**

Parts Order Form

Please fill in the following information:

Manufacturer:

Model:

Description:

Quantity:

Part Number:

Part Name:

Part Description:

Part Location:

Part Condition:

Part Status:

Part Price:

Part Weight:

Part Dimensions:

Part Material:

Part Color:

Part Finish:

Part Notes:

Part Images:

Part Attachments:

Part Specifications:

Part Certifications:

Part Compliance:

Part Safety:

Part Environmental:

Part Other:

Submit

Discount-Equipment.com is your online resource for quality parts & equipment.

Florida: **561-964-4949** Outside Florida TOLL FREE: **877-690-3101**

Need parts?

Click on this link: <http://www.discount-equipment.com/category/5443-parts/> and choose one of the options to help get the right parts and equipment you are looking for. Please have the machine model and serial number available in order to help us get you the correct parts. If you don't find the part on the website or on once of the online manuals, please fill out the request form and one of our experienced staff members will get back to you with a quote for the right part that your machine needs.

We sell worldwide for the brands: Genie, Terex, JLG, MultiQuip, Mikasa, Essick, Whiteman, Mayco, Toro Stone, Diamond Products, Generac Magnum, Airman, Haulotte, Barreto, Power Blanket, Nifty Lift, Atlas Copco, Chicago Pneumatic, Allmand, Miller Curber, Skyjack, Lull, Skytrak, Tsurumi, Husquvarna Target, , Stow, Wacker, Sakai, Mi-T- M, Sullair, Basic, Dynapac, MBW, Weber, Bartell, Bennar Newman, Haulotte, Ditch Runner, Menegotti, Morrison, Contec, Buddy, Crown, Edco, Wyco, Bomag, Laymor, Barreto, EZ Trench, Bil-Jax, F.S. Curtis, Gehl Pavers, Heli, Honda, ICS/PowerGrit, IHI, Partner, Imer, Clipper, MMD, Koshin, Rice, CH&E, General Equipment, ,AMida, Coleman, NAC, Gradall, Square Shooter, Kent, Stanley, Tamco, Toku, Hatz, Kohler, Robin, Wisconsin, Northrock, Oztec, Toker TK, Rol-Air, Small Line, Wanco, Yanmar

OPERATION AND PARTS MANUAL

HERE'S HOW TO GET HELP

PLEASE HAVE THE MODEL AND SERIAL
NUMBER ON-HAND WHEN CALLING

Go to Discount-Equipment.com to order your parts

Your Local Dealer is:



www.Discount-Equipment.com

