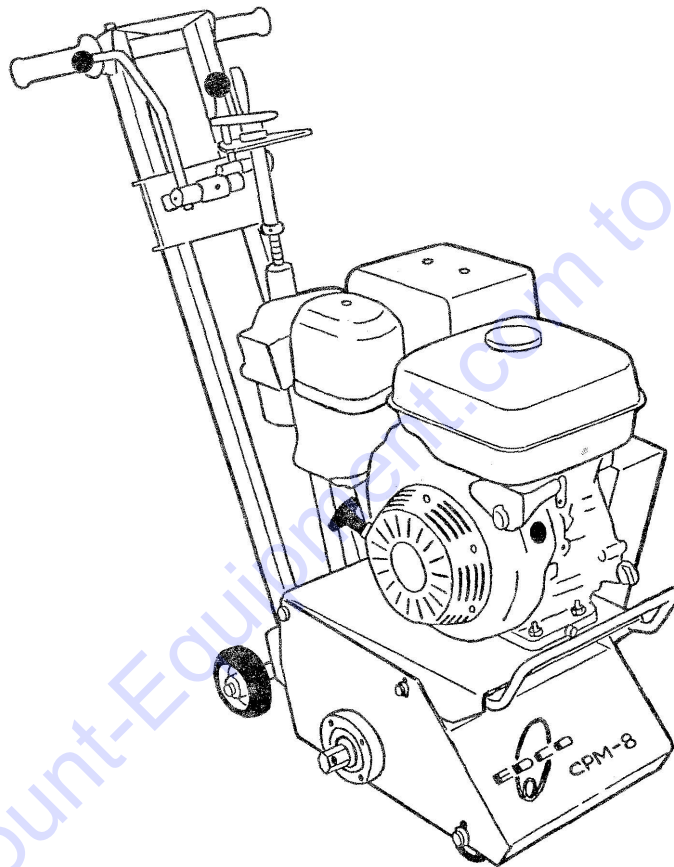


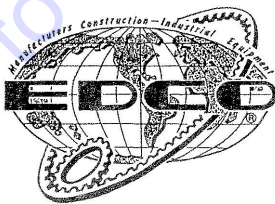
REVISED FEBRUARY 1994
STARTING SERIAL #9353

COMPACT PLANER

PARTS LIST MANUAL



Model CPM-8



**Discount
Equipment**

PRINTED IN U.S. . . .

PARTS FINDER

**Search Website
by Part Number**



**Search Manual
Library For Parts
Manual & Lookup Part
Numbers – Purchase
or Request Quote**

Search Manuals

Enter your information to help us find the right parts manual for your machine.

* Brand:

* Model:

* Serial:

* Part Number:

SEARCH

**Can't Find Part or
Manual? Request Help
by Manufacturer,
Model & Description**

Parts Order Form

Please fill in the following information to help us find the right part for your machine.

Manufacturer:	<input type="text"/>
Model:	<input type="text"/>
Description:	<input type="text"/>
Part Number:	<input type="text"/>
Quantity:	<input type="text"/>
Notes:	<input type="text"/>

Submit

Discount-Equipment.com is your online resource for quality parts & equipment.

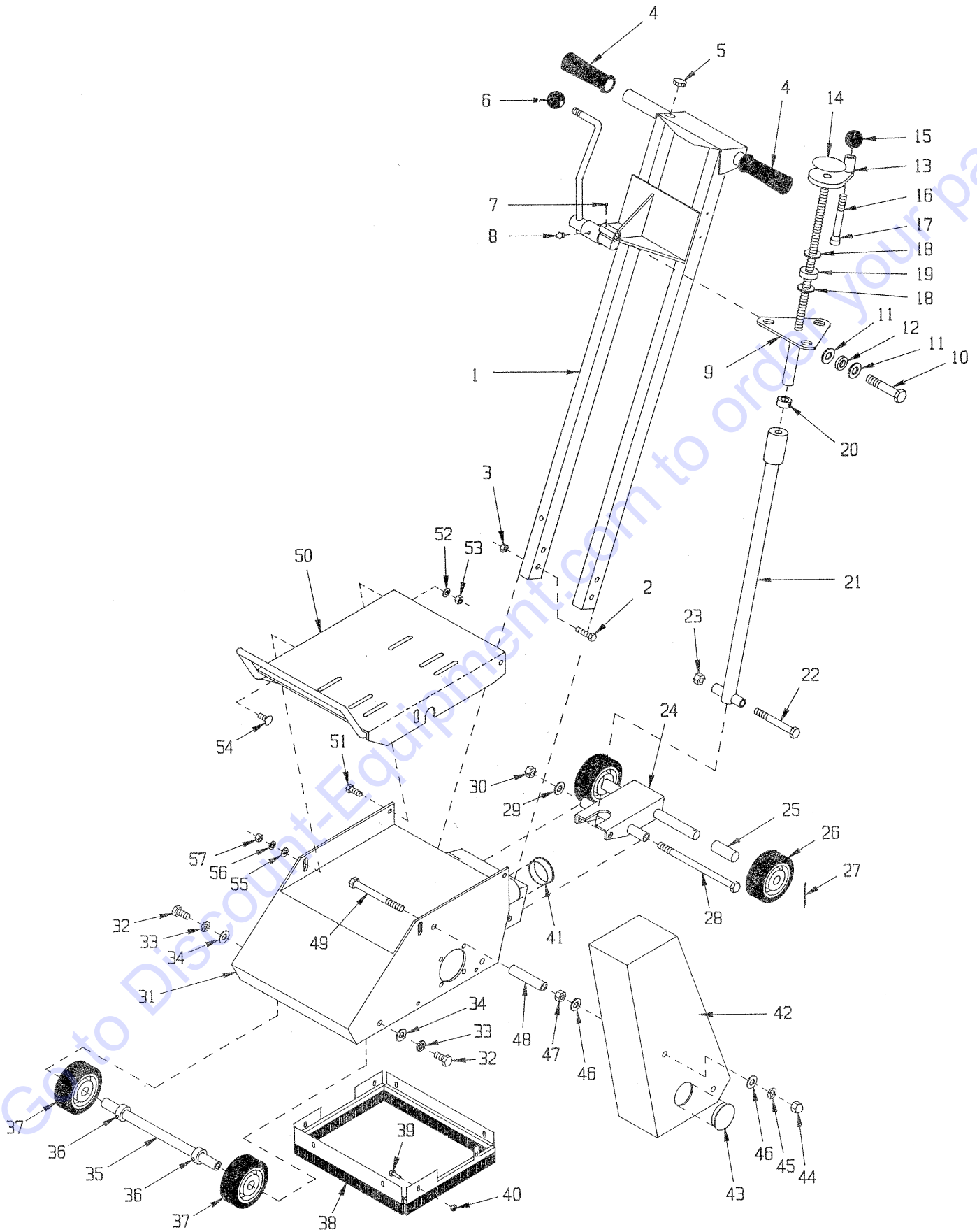
Florida: **561-964-4949** Outside Florida TOLL FREE: **877-690-3101**

Need parts?

Click on this link: <http://www.discount-equipment.com/category/5443-parts/> and choose one of the options to help get the right parts and equipment you are looking for. Please have the machine model and serial number available in order to help us get you the correct parts. If you don't find the part on the website or on one of the online manuals, please fill out the request form and one of our experienced staff members will get back to you with a quote for the right part that your machine needs.

We sell worldwide for the brands: Genie, Terex, JLG, MultiQuip, Mikasa, Essick, Whiteman, Mayco, Toro Stone, Diamond Products, Generac Magnum, Airman, Haulotte, Barreto, Power Blanket, Nifty Lift, Atlas Copco, Chicago Pneumatic, Allmand, Miller Curber, Skyjack, Lull, Skytrak, Tsurumi, Husquvarna Target, Stow, Wacker, Sakai, Mi-T-M, Sullair, Basic, Dynapac, MBW, Weber, Bartell, Bennar Newman, Haulotte, Ditch Runner, Menegotti, Morrison, Contec, Buddy, Crown, Edco, Wyco, Bomag, Laymor, EZ Trench, Bil-Jax, F.S. Curtis, Gehl Pavers, Heli, Honda, ICS/PowerGrit, IHI, Partner, Imer, Clipper, MMD, Koshin, Rice, CH&E, General Equipment, Amida, Coleman, NAC, Gradall, Square Shooter, Kent, Stanley, Tamco, Toku, Hatz, Kohler, Robin, Wisconsin, Northrock, Oztec, Toker TK, Rol-Air, APT, Wylie, Ingersoll Rand / Doosan, Innovatech, Con X, Ammann, Mecalac, Makinex, Smith Surface Prep, Small Line, Wanco, Yanmar

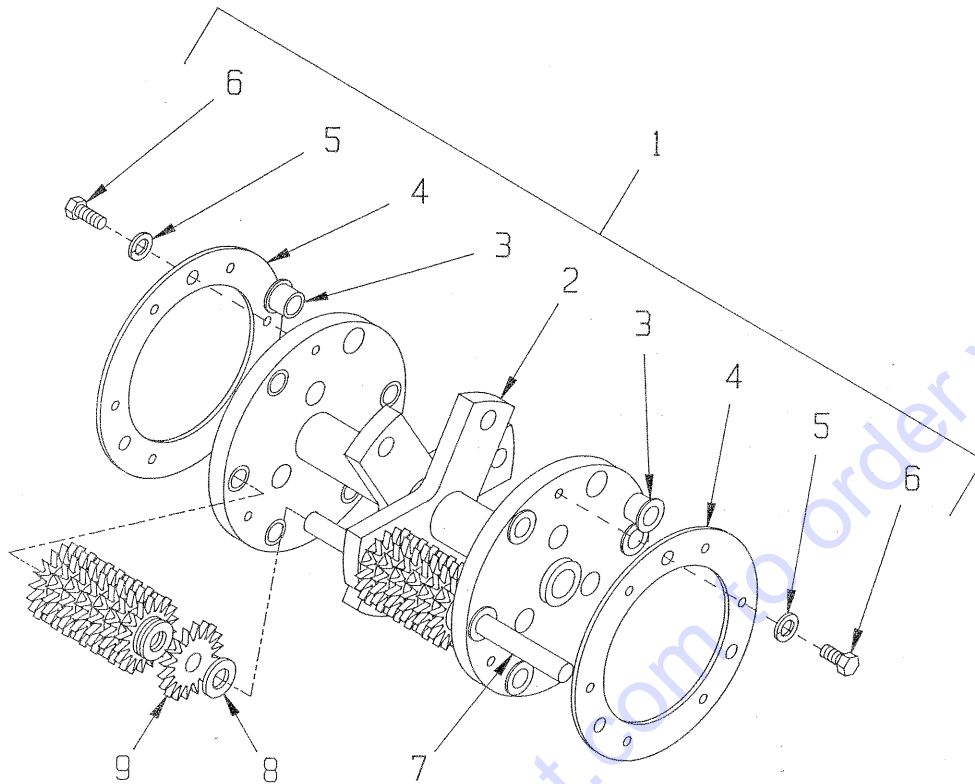
ILLUSTRATION 1: FRAME ASSEMBLY



PARTS LISTING - ILLUSTRATION 1: FRAME ASSEMBLY

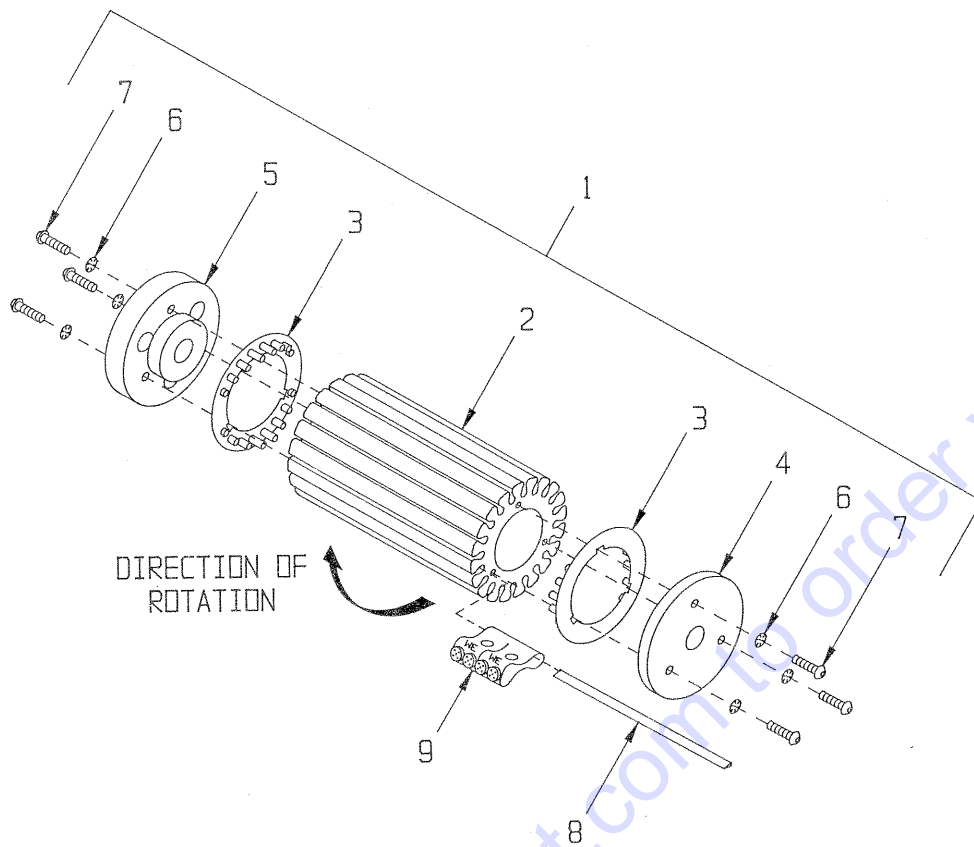
Item #	Part #	Description	Qty.
1	65009	Handle Bar	1
2	10816	Screw, Cap 3/8-24 x 1-1/2	4
3	10004	Nut, Lock 3/8-24	4
4	10608	Grip, Hand 1" Model AT	2
5	10005	Plug, Hole 7/8" (Elec. Models Only)	1
6	14023	Knob, Ball 1-3/8"Dia. w/ 1/2-13 Thd.	1
7	10127	Screw, Drive 1/8	1
8	10808	Fitting, Grease 1/4-28 Straight	1
9	65007	Linkage Support, Upper	1
10	10359	Screw, Cap 5/8-11 x 3-1/4	1
11	10073	Washer, Flat 5/8	2
12	79035	Bushing, Rubber 5/8"ID x 1/4"Thk.	1
13	65019	Handwheel, Small w/ 5/8-8 x 13"Rod	1
14	80007	Decal, "Cut Control" (Small)	1
15	14023	Knob, Ball 1-3/8"Dia. w/ 1/2-13 Thd.	1
16	10346	Screw, Skt. Hd. Cap 1/2-13 x 4-1/2	1
17	50550	Sleeve for 1/2"Cap screw, Tapered	1
18	10073	Washer, Flat 5/8	2
19	85005	Bearing, Ball 5/8"ID x 1-1/2"OD	1
20	10096	Collar, Locking 5/8	1
21	65006	Linkage, Lower	1
22	10339	Screw, Cap 1/2-20 x 4	1
23	10205	Nut, Lock 1/2-20	1
24	65004	Fork	1
25	65005	Spacer, Rear Wheel 2-3/16"	2
26	52001	Wheel, Alum. 4 x 1-1/2 x 3/4"Brg.	2
27	10306	Pin, Cotter 3/16 x 1-1/2	2
28	65015	Screw, Cap 1/2-13 x 8	1
29	10312	Washer, Flat 1/2	1
30	10407	Nut, Lock 1/2-13	1
31	65001	Main Frame	1
32	10304	Screw, Cap 1/2-20 x 1	2
33	10045	Washer, Lock 1/2	2
34	10312	Washer, Flat 1/2	2
35	65014	Axle Shaft, Front	1
36	10428	Collar, Locking 3/4	2
37	52001	Wheel, Alum. 4 x 1-1/2 x 3/4"Brg.	2
38	65036	Brushes (Set of 4)	1
39	10834	Screw, Cap 1/4-20 x 1/2	8
40	10861	Nut, Keps 1/4-20	8
41	65021	Plug, Cap 2"	1
42	65003	Cover, Belt	1
43	65022	Plug, Hole 2"	1
44	10422	Nut, Acorn 1/2-20	2
45	10045	Washer, Lock 1/2	2
46	10312	Washer, Flat 1/2	6
47	10072	Nut 1/2-20	2
48	65016	Spacer Tube 1/2"ID x 3-7/16"L	2
49	65017	Screw, Cap 1/2-20 x 5	2
50	65002	Mount, Engine/Motor	1
51	10021	Screw, Cap 3/8-24 x 1	2
52	10025	Washer, Flat 3/8	4
53	10004	Nut, Lock 3/8-24	2
54	10802	Bolt, Carriage 3/8-16 x 1	2
55	10025	Washer, Flat 3/8	2
56	10811	Washer, Lock 3/8	2
57	10404	Nut 3/8-16	2

ILLUSTRATION 2: CUTTER WHEEL DRUM ASSEMBLY



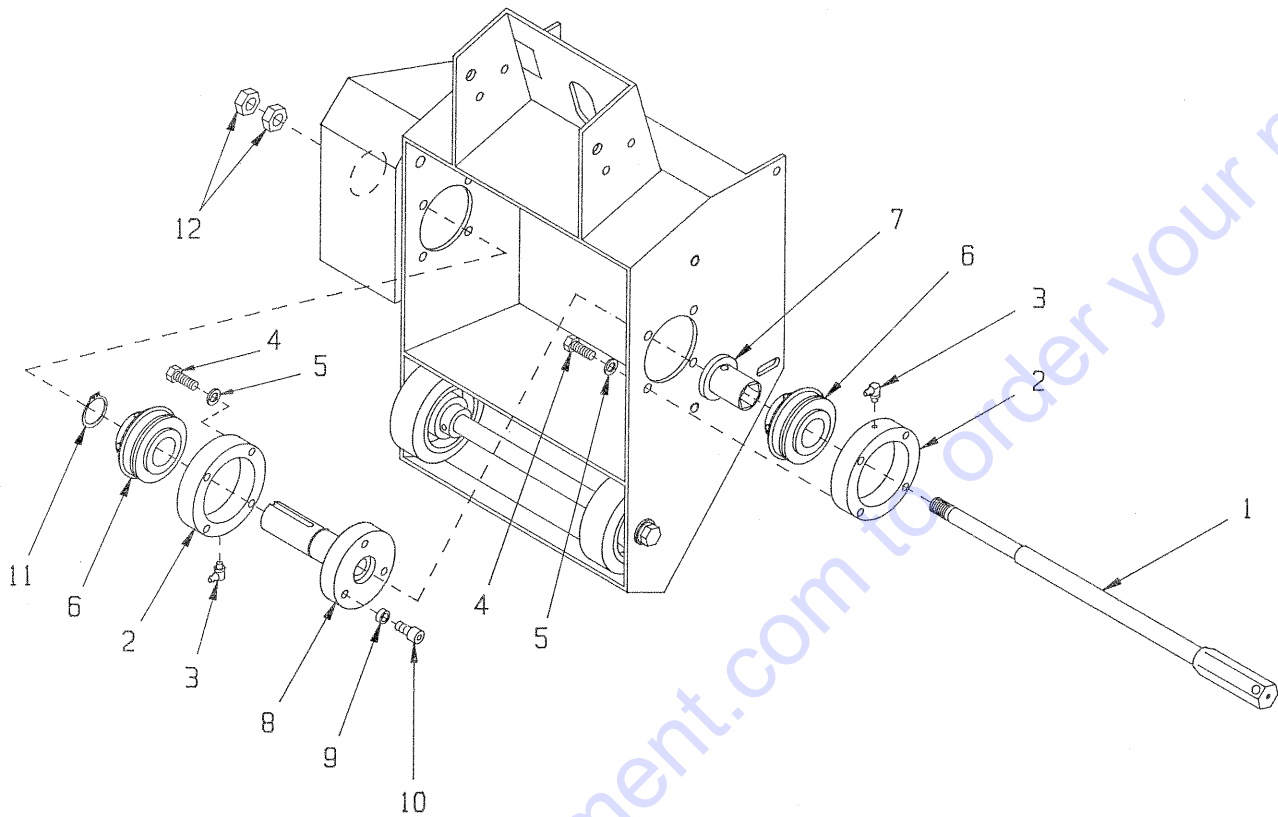
Item #	Part #	Description	Qty.
1	65050	Drum Assembly Complete (Includes Items 2 thru 6)	
2	65051	Drum Only, Cutter	1
3	65055	Bushing, Hardened Steel 1/2"ID	12
4	65054	Retaining Plate, Cutter Shaft	2
5	10801	Washer, Lock 5/16	6
6	10053	Screw, Cap 5/16-18 x 3/4	6
7	20150	CP407 Cutter Shaft 8-1/2"L	6
8	12230	CG227 Spacer 1/2"ID	*
9		Cutter Wheel	*
	12206	JRS501-P Pointed Hi-Carbon Steel	
	20206	CP-305 Flat Tip Hi-Carbon Steel	
	20156	CP-206-T Tungsten Carbide, 6 Pt.	
	20256	CP-205-T Tungsten Carbide, 5 Pt.	
	20266	CP-215-T Wide Tungsten Carbide	
<p>* NOTE: Cutter Wheels, Spacers, and Shafts are not included with Drum Assembly. The number of Cutter Wheels and Spacers vary with type of set-up used. Refer to Assembly Instructions for suggested set-ups and quantities.</p>			

ILLUSTRATION 3:
ROTO-PEEN FLAP HUB ASSEMBLY



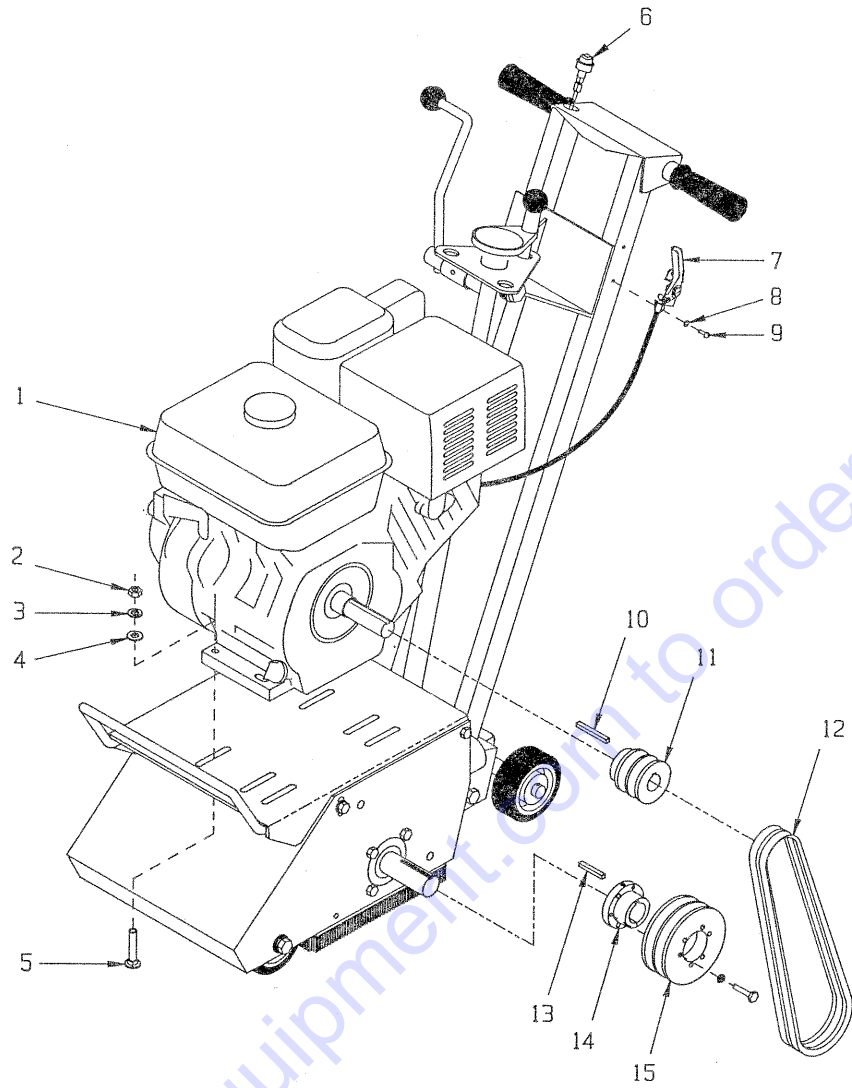
Item	Part #	Description	Qty.
1	65060	Hub Assembly Complete, Roto-Peen (Includes Items 2 thru 8)	1
2	65066	Hub Only 7-1/2"	2/SET
3	25060	Spacer Ring	1
4	65067	Flange, End Cap	1
5	65068	Flange, Driver	6
6	10451	Washer, Internal Tooth 1/4	6
7	10871	Screw, Skt. Button Hd. 1/4-20 x 1	20/SET
8	65065	Keeper Strip 7"	*
9		Roto-Peen Flap (2" Shown)	
	25020	2" Type B	
	25021	2" Type C	
	25022	2" Type D	
	25010	1" Type B	
	25011	1" Type C	
	25012	1" Type D	
<p>* NOTE: Flaps are not included with Hub Assembly. Number of flaps vary with type of set-up used. Refer to Assembly Instructions for suggested flap types and quantities.</p>			

ILLUSTRATION 4: DRUM SHAFT AND BEARINGS



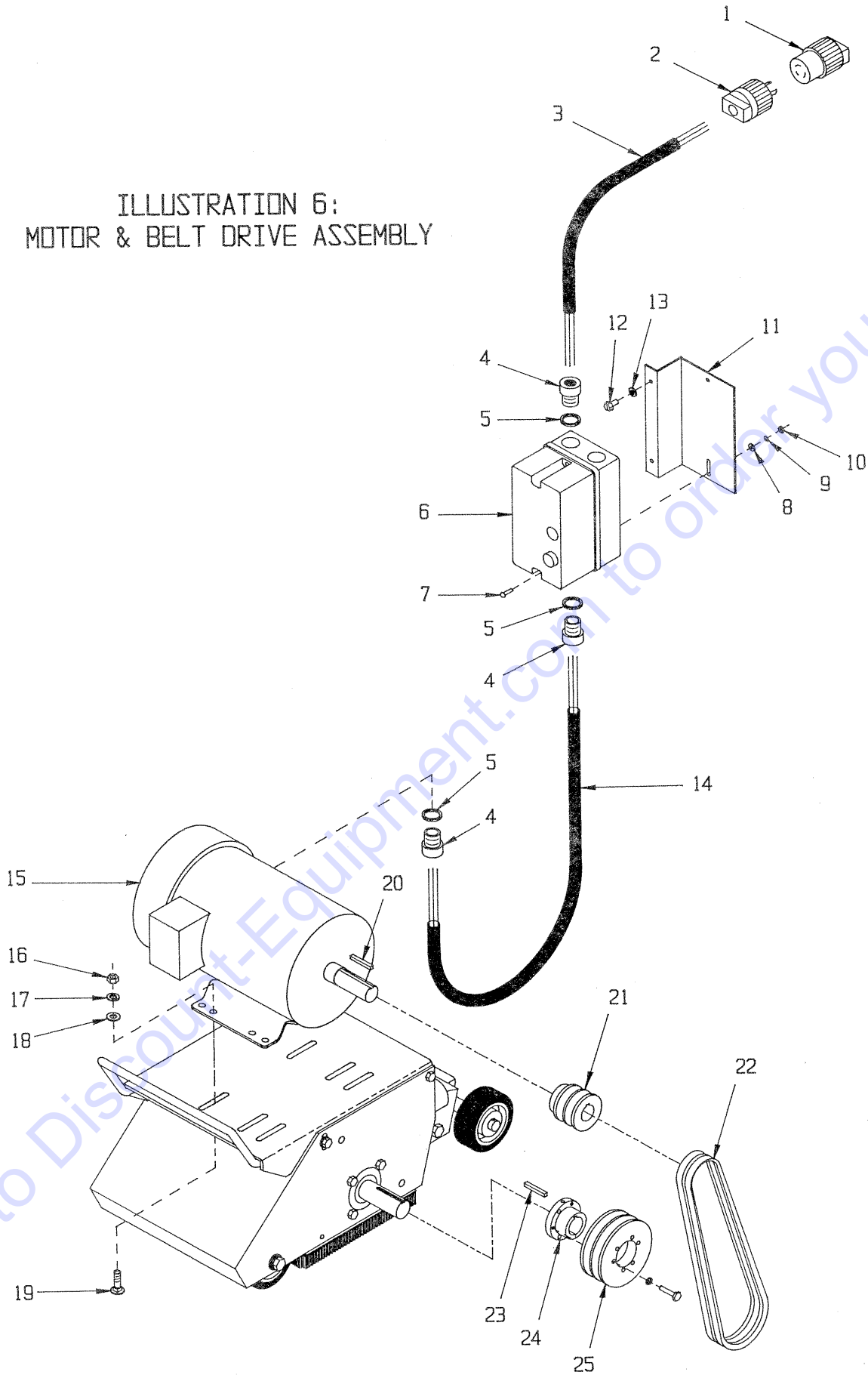
Item #	Part #	Description	Qty.
1	65037	Drum/Hub Shaft 18-3/8"L	1
2	65031	Retainer, Bearing	2
3	10961	Fitting, Grease 1/4-28 x 90°	2
4	10021	Screw, Cap 3/8-24 x 1	8
5	10811	Washer, Lock 3/8	8
6	65030	Bearing, Ball 1-1/4" W/ Snap Ring	2
7	65033	Bushing, Hex Bore 1"	2
8	65038	Shaft, Driver	1
9	10113	Spacer 9/16"OD x 3/8"ID x 7/32"W	3
10	10859	Screw, Skt. Hd. Cap 3/8-24 x 3/4	3
11	10873	Retaining Ring, Ext. 1-1/4	1
12	65039	Nut, Jam 5/8-11 Left-Hand Thread	2

ILLUSTRATION 5: ENGINE & BELT DRIVE ASSEMBLY



Item #	Part #	Description	Qty.
1		Engine	1
	15027	Honda GX-270 9 HP (Shown)	
	15015	Kohler Magnum M8T 8 HP	
	4853	Briggs & Stratton I/C 8 HP	
	15033	Briggs & Stratton Vanguard 9 HP	
2	10054	Nut 5/16-18	4
3	10801	Washer, Lock 5/16	4
4	10213	Washer, Flat 5/16	4
5	10817	Bolt, Carriage 5/16-18 x 1-1/2	4
6	50010	Switch Kit, Stop Button	1
7	3611	Cable, Throttle Lever-Type 54"	1
8	10831	Washer, Internal Tooth #10	2
9	10828	Screw, Self-Tap Pan Hd. 10-24 x 1/2	2
10	10307	Key 1/4" Sq. x 2-1/4	1
11	10553	Sheave 2.5"OD x 2Gr.A x 1" Bore	1
12	81007	Belt AX-33	2
13	10115	Key 1/4" Sq. x 2	1
14	10505	Bushing, Sheave SH x 1-1/4" Bore	1
15	65018	Sheave 4.55"OD x 2Gr.B x SH	1

ILLUSTRATION 6:
MOTOR & BELT DRIVE ASSEMBLY



PARTS LISTING - ILLUSTRATION 6:
MOTOR & BELT DRIVE ASSEMBLY

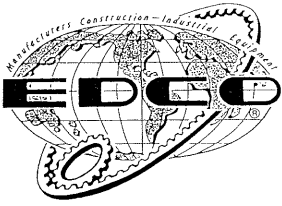
Item #	Part #	Description	Qty.
*1	40000	Plug Connector, Locking 20A/250V	1
*2	40037	Plug, Locking 20A/250V	1
*3		Wire Harness (See Note)	1
	86026	10/3 x 24" LOA	
	86022	12/3 x 24" LOA	
4	10605	Connector, Strain Relief 3/4 NPT x .650-.750" Range	3
5	10740	Nut, Conduit Lock 3/4 NP	3
6	85045	Starter CBK3-30 W/ Large Enclosure (Specify HP, Phase, Volts, Amps, Hz)	1
7	10362	Screw, Machine 8-32 x 3/4	2
8	10850	Washer, Flat #10	2
9	10461	Washer, Internal Tooth #8	2
10	10462	Nut 8-32	2
11	86027	Mounting Brkt., Lg. CBK3-30 Starter	1
12	10846	Screw, S.T. Hex Washer 1/4-20 x 1/2	2
13	10038	Washer, Lock 1/4	2
*14		Wire Harness (See Note)	1
	65040	10/3 x 50" LOA	
	65041	12/4 x 50" LOA	
15		Motor	1
	81026	Baldor 5 HP-1 PH, 60Hz, 3450 RPM	
	81022	Baldor 5 HP-3 PH, 60Hz, 3450 RPM	
	16009	Baldor 5 HP-3 PH, 60Hz, 1725 RPM	
	16020	Baldor 5 HP-3 PH, 50Hz, 2850 RPM	
16	10054	Nut 5/16-18	4
17	10801	Washer, Lock 5/16	4
18	10213	Washer, Flat 5/16	4
19	10819	Bolt, Carrige 5/16-18 x 1	4
20	10101	Key 1/4 Sq. x 1-3/4	1
21		Sheave (See Chart)	1
	10555	2.50" OD x 2Gr.A x 1-1/8" Bore	
	10526	3.00" OD x 2Gr.A x 1-1/8" Bore	
	65018	4.55" OD x 2Gr.B x SH (Requires SH x 1-1/8" Bushing)	
	10547	Bushing, Sheave SH x 1-1/8" Bore	1
22		Belt (See Chart)	2
	10239	AP-32	
	10233	AX-34	
23	10115	Key 1/4" Sq. x 2	1
24	10505	Bushing, Sheave SH x 1-1/4" Bore	1
25	65018	Sheave 4.55" OD x 2Gr.B x SH	1

* NOTE:

Plug and Connector (Items #1 & 2)
are not supplied on 3-Phase units.
1-Phase units use 10/3 Wire Harness
3-Phase units use 12/4 Wire Harness

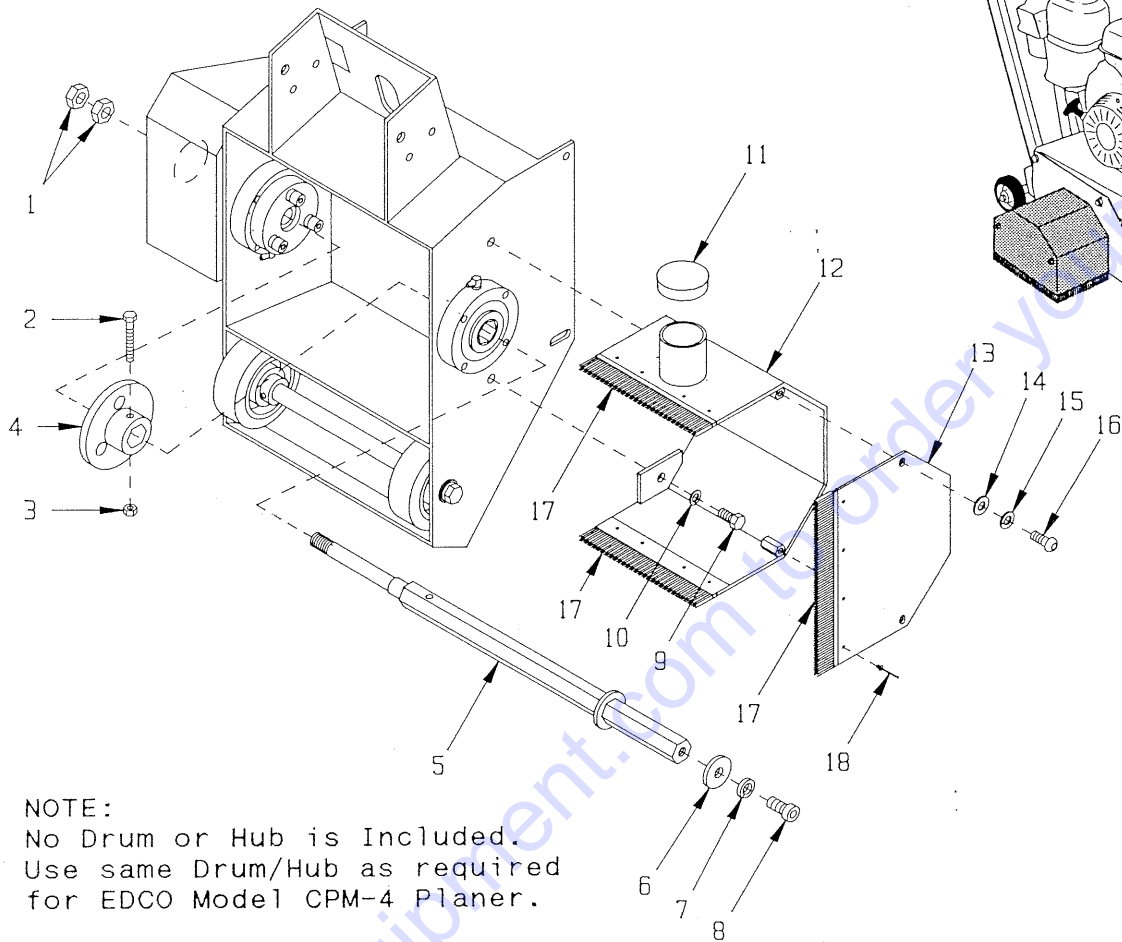
BELT DRIVE SPECIFICATIONS CHART FOR ELECTRIC CPM-8

MOTOR SPECS	DRUM RPM (NO LOAD)	MOTOR SHEAVE (ITEM #21)	DRUM SHEAVE (ITEM #25)	BELT SIZE
5 HP-60 Hz 3450 RPM	1997 RPM	2.50" O.D. (1-PIECE)	4.55" O.D. (SH 1-1/4)	AP-32
5 HP-60 Hz 1725 RPM	1725 RPM	4.55" O.D. (SH 1-1/8)	4.55" O.D. (SH 1-1/4)	AX-34
5 HP-50 Hz 2850 RPM	2025 RPM	3.00" O.D. (1-PIECE)	4.55" O.D. (SH 1-1/4)	AP-32



Model CPM-8 OPTIONAL EDGER ASSEMBLY (ORDER PART NO. 65027)

FEB. '94



NOTE:
No Drum or Hub is Included.
Use same Drum/Hub as required
for EDCO Model CPM-4 Planer.

Item #	Part #	Description	Qty.
1	65039	Nut, Jam 5/8-11 Left-Hand Thread	2
2	11517	Screw, Cap 5/16-18 x 2-1/8	1
3	10807	Nut, Lock 5/16-18	1
4	65026	Flange, Driver	1
5	65025	Shaft, Edger Drum/Hub	1
6	C66011	Washer, Drum Retaining	1
7	10420	Washer, Lock 1/2 Heavy-Duty	1
8	10419	Screw, Skt. Hd. Cap 1/2-13 x 1	1
9	10907	Screw, Cap 3/8-16 x 3/4	2
10	10811	Washer, Lock 3/8	2
11	65021	Plug, Cap 2"	1
12	65023	Cover Assembly with Brushes	1
13	65024	Cover Side Access Panel with Brush	1
14	10213	Washer, Flat 5/16	2
15	10801	Washer, Lock 5/16	2
16	10627	Screw, Skt. Button Hd. 5/16-18 x 3/4	2
17	65029	Brushes (Set of 3)	1
18	10128	Rivet, Pop 1/8 x 1/4	12

PARTS FINDER

**Search Website
by Part Number**



**Search Manual
Library For Parts
Manual & Lookup Part
Numbers – Purchase
or Request Quote**

Search Manuals

Enter your information to help us find the right parts manual for your machine.

* Brand:

* Model:

* Serial:

* Part Number:

SEARCH

**Can't Find Part or
Manual? Request Help
by Manufacturer,
Model & Description**

Parts Order Form

Please fill in the following information to help us find the right part for your machine.

MANUFACTURER:

MODEL:

DESCRIPTION:

DATE:

TIME:

PHONE:

EMAIL:

ADDRESS:

CITY:

STATE:

ZIP:

SEARCH

Discount-Equipment.com is your online resource for quality parts & equipment.

Florida: **561-964-4949** Outside Florida TOLL FREE: **877-690-3101**

Need parts?

Click on this link: <http://www.discount-equipment.com/category/5443-parts/> and choose one of the options to help get the right parts and equipment you are looking for. Please have the machine model and serial number available in order to help us get you the correct parts. If you don't find the part on the website or on one of the online manuals, please fill out the request form and one of our experienced staff members will get back to you with a quote for the right part that your machine needs.

We sell worldwide for the brands: Genie, Terex, JLG, MultiQuip, Mikasa, Essick, Whiteman, Mayco, Toro Stone, Diamond Products, Generac Magnum, Airman, Haulotte, Barreto, Power Blanket, Nifty Lift, Atlas Copco, Chicago Pneumatic, Allmand, Miller Curber, Skyjack, Lull, Skytrak, Tsurumi, Husquvarna Target, Stow, Wacker, Sakai, Mi-T-M, Sullair, Basic, Dynapac, MBW, Weber, Bartell, Bennar Newman, Haulotte, Ditch Runner, Menegotti, Morrison, Contec, Buddy, Crown, Edco, Wyco, Bomag, Laymor, EZ Trench, Bil-Jax, F.S. Curtis, Gehl Pavers, Heli, Honda, ICS/PowerGrit, IHI, Partner, Imer, Clipper, MMD, Koshin, Rice, CH&E, General Equipment, Amida, Coleman, NAC, Gradall, Square Shooter, Kent, Stanley, Tamco, Toku, Hatz, Kohler, Robin, Wisconsin, Northrock, Oztec, Toker TK, Rol-Air, APT, Wylie, Ingersoll Rand / Doosan, Innovatech, Con X, Ammann, Mecalac, Makinex, Smith Surface Prep, Small Line, Wanco, Yanmar