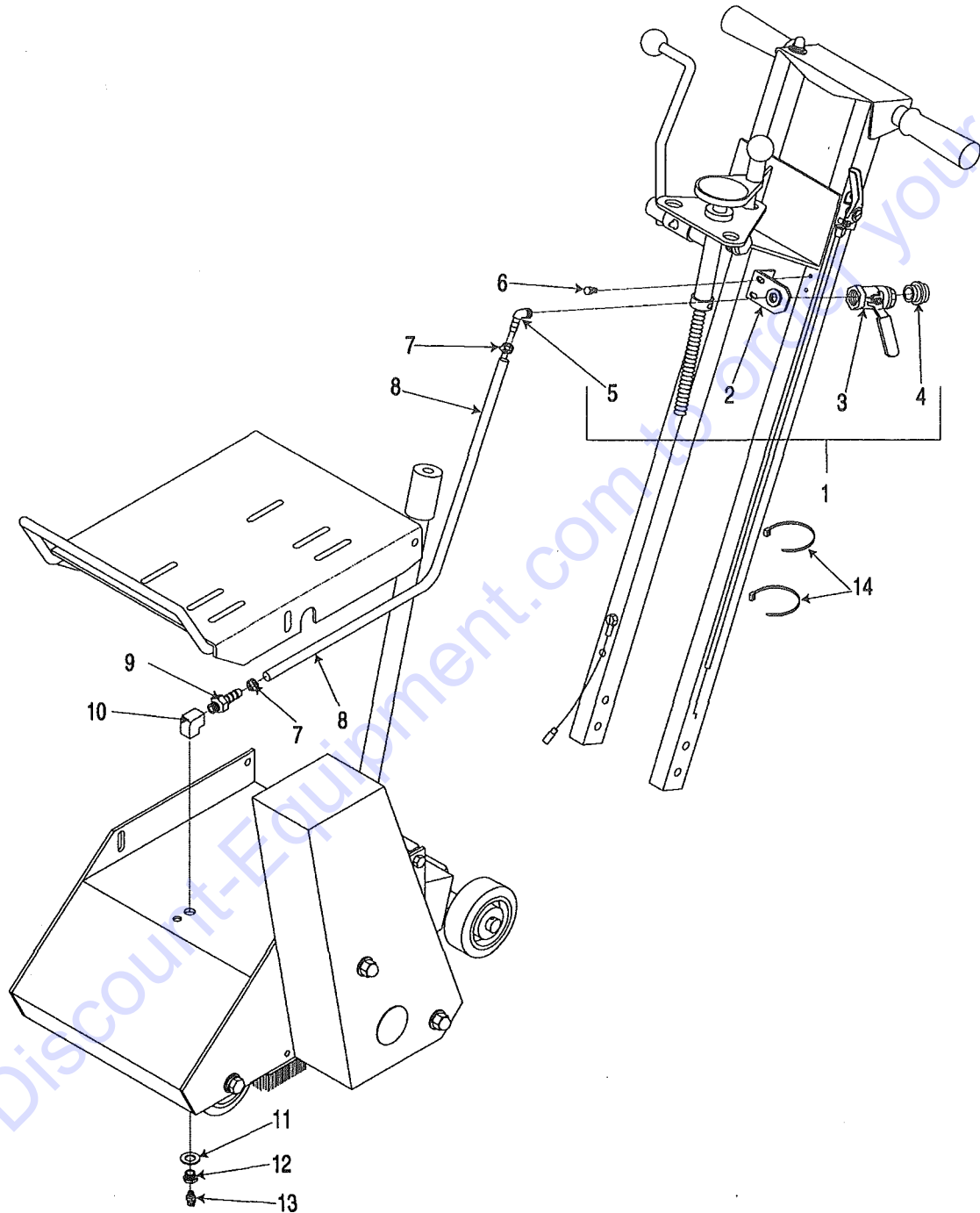


# PARTS LIST ADDENDUM



**CPM-8 Water Mist System  
Kit Part No. 65080**



## PARTS LISTING : CPM-8 WATER MIST SYSTEM

ITEM#	PART#	DESCRIPTION	QTY.
1	56022A	VALVE SUBASSY. w/ BRACKET ( INCLUDES ITEMS 2 THRU 5 )	1
2	56022	BRACKET, WATER VALVE	1
3	10711	VALVE, BALL 1/2 FPT	1
4	80021	CONN., SWIVEL FEMALE 3/4 HOSE x 1/2 MPT ( INCLUDES HOSE WASHER )	1
5	10799	BARB EL BOW 90, 3/8 HOSE x 1/4 MPT	1
6	10877	SCREW, SELF-TAP HEX WASHER 10-24 x 1/2	2
7	50069	CLAMP, HOSE, SIZE M6, ADJ. TO 13/16	2
8	65081	HOSE, WATER 3/8 ID x 34 L	1
9	50075	BARB, 3/8 HOSE x 1/4 MPT	1
10	10707	ELBOW, FEMALE 1/4 NPT x 90 (BRASS)	1
11	10040	WASHER, GARRET 1 OD x 17/32 ID	1
12	10718	BUSHING, HEX 1/4 x 1/8 NPT (BRASS)	1
13	11563	NOZZLE, SPRAY 1/8 MPT (H1/8VV 2501)	1
14	10982	TIE, CABLE, BLACK NYLON 11-1/4	2

# PARTS FINDER

**Search Website  
by Part Number**



**Search Manual  
Library For Parts  
Manual & Lookup Part  
Numbers – Purchase  
or Request Quote**

**Search Manuals**

Enter your information to help us find the right parts manual for your machine.

\* Brand:

\* Model:

\* Serial:

\* Part Number:

SEARCH

**Can't Find Part or  
Manual? Request Help  
by Manufacturer,  
Model & Description**

**Parts Order Form**

Please fill in the following information to help us find the right part for your machine.

Manufacturer:	<input type="text"/>
Model:	<input type="text"/>
Description:	<input type="text"/>
Part Number:	<input type="text"/>
Quantity:	<input type="text"/>
Notes:	<input type="text"/>

Submit

Discount-Equipment.com is your online resource for quality parts & equipment.

Florida: **561-964-4949** Outside Florida TOLL FREE: **877-690-3101**

**Need parts?**

Click on this link: <http://www.discount-equipment.com/category/5443-parts/> and choose one of the options to help get the right parts and equipment you are looking for. Please have the machine model and serial number available in order to help us get you the correct parts. If you don't find the part on the website or on one of the online manuals, please fill out the request form and one of our experienced staff members will get back to you with a quote for the right part that your machine needs.

We sell worldwide for the brands: Genie, Terex, JLG, MultiQuip, Mikasa, Essick, Whiteman, Mayco, Toro Stone, Diamond Products, Generac Magnum, Airman, Haulotte, Barreto, Power Blanket, Nifty Lift, Atlas Copco, Chicago Pneumatic, Allmand, Miller Curber, Skyjack, Lull, Skytrak, Tsurumi, Husquvarna Target, Stow, Wacker, Sakai, Mi-T-M, Sullair, Basic, Dynapac, MBW, Weber, Bartell, Bennar Newman, Haulotte, Ditch Runner, Menegotti, Morrison, Contec, Buddy, Crown, Edco, Wyco, Bomag, Laymor, EZ Trench, Bil-Jax, F.S. Curtis, Gehl Pavers, Heli, Honda, ICS/PowerGrit, IHI, Partner, Imer, Clipper, MMD, Koshin, Rice, CH&E, General Equipment, Amida, Coleman, NAC, Gradall, Square Shooter, Kent, Stanley, Tamco, Toku, Hatz, Kohler, Robin, Wisconsin, Northrock, Oztec, Toker TK, Rol-Air, APT, Wylie, Ingersoll Rand / Doosan, Innovatech, Con X, Ammann, Mecalac, Makinex, Smith Surface Prep, Small Line, Wanco, Yanmar