



**PART # 65135**  
**STARTER SYSTEM KIT**  
**1-BOX TO 2-BOX CONVERSION**

**FOR**

**Model CPM8**  
**5HP 230V 1-PHASE**  
**WALK BEHIND SCARIFIER**

*This Kit is for units without the Thermal Overload Reset on the Motor. It converts the 1-Box Lovato Starter with the Start and Stop Buttons to the 2-Box ACI Reset Starter and a Remote Switch Box that has a Off/On Lever Switch and a Emergency Stop Button.*

**PARTS LIST AND WIRING DIAGRAM**

**TABLE OF CONTENTS**

	<u>Page</u>
Illustration for 2-Box System .....	2
Parts Listing .....	3
Wiring Diagram .....	4 (Back Page)



A Division of Equipment Development Company, Inc.

# PARTS FINDER

**Search Website  
by Part Number**



**Search Manual  
Library For Parts  
Manual & Lookup Part  
Numbers – Purchase  
or Request Quote**

**Search Manuals**

Enter your information to help us find the right part for your machine.

\* Brand:

\* Model:

\* Serial:

\* Part Number:

SEARCH

**Can't Find Part or  
Manual? Request Help  
by Manufacturer,  
Model & Description**

**Parts Order Form**

Please fill in the following information to help us find the right part for your machine.

Manufacturer:	<input type="text"/>
Model:	<input type="text"/>
Description:	<input type="text"/>
Part Number:	<input type="text"/>
Quantity:	<input type="text"/>
Notes:	<input type="text"/>

Submit

Discount-Equipment.com is your online resource for quality parts & equipment.

Florida: **561-964-4949** Outside Florida TOLL FREE: **877-690-3101**

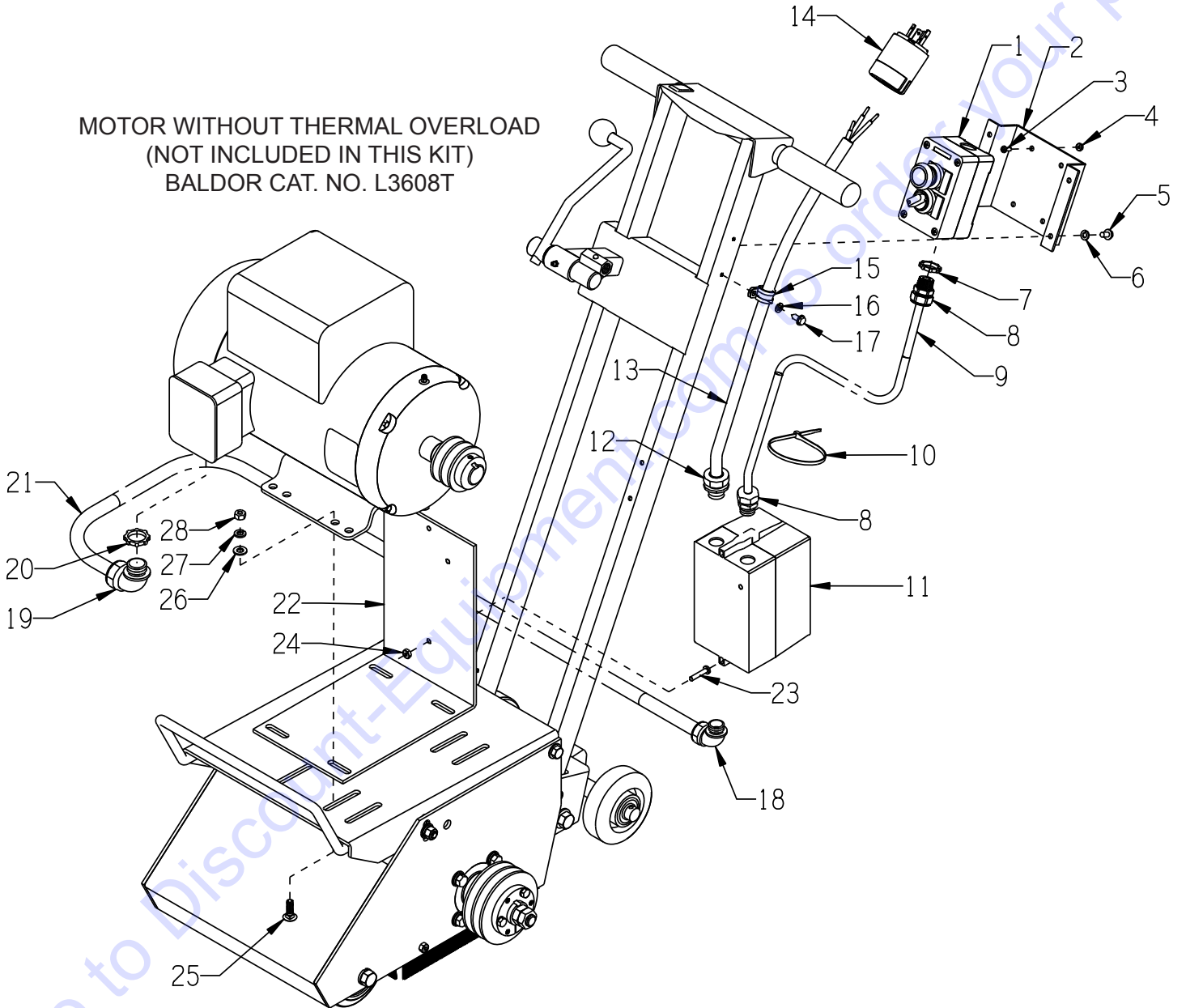
**Need parts?**

Click on this link: <http://www.discount-equipment.com/category/5443-parts/> and choose one of the options to help get the right parts and equipment you are looking for. Please have the machine model and serial number available in order to help us get you the correct parts. If you don't find the part on the website or on one of the online manuals, please fill out the request form and one of our experienced staff members will get back to you with a quote for the right part that your machine needs.

We sell worldwide for the brands: Genie, Terex, JLG, MultiQuip, Mikasa, Essick, Whiteman, Mayco, Toro Stone, Diamond Products, Generac Magnum, Airman, Haulotte, Barreto, Power Blanket, Nifty Lift, Atlas Copco, Chicago Pneumatic, Allmand, Miller Curber, Skyjack, Lull, Skytrak, Tsurumi, Husquvarna Target, Stow, Wacker, Sakai, Mi-T-M, Sullair, Basic, Dynapac, MBW, Weber, Bartell, Bennar Newman, Haulotte, Ditch Runner, Menegotti, Morrison, Contec, Buddy, Crown, Edco, Wyco, Bomag, Laymor, EZ Trench, Bil-Jax, F.S. Curtis, Gehl Pavers, Heli, Honda, ICS/PowerGrit, IHI, Partner, Imer, Clipper, MMD, Koshin, Rice, CH&E, General Equipment, Amida, Coleman, NAC, Gradall, Square Shooter, Kent, Stanley, Tamco, Toku, Hatz, Kohler, Robin, Wisconsin, Northrock, Oztec, Toker TK, Rol-Air, APT, Wylie, Ingersoll Rand / Doosan, Innovatech, Con X, Ammann, Mecalac, Makinex, Smith Surface Prep, Small Line, Wanco, Yanmar

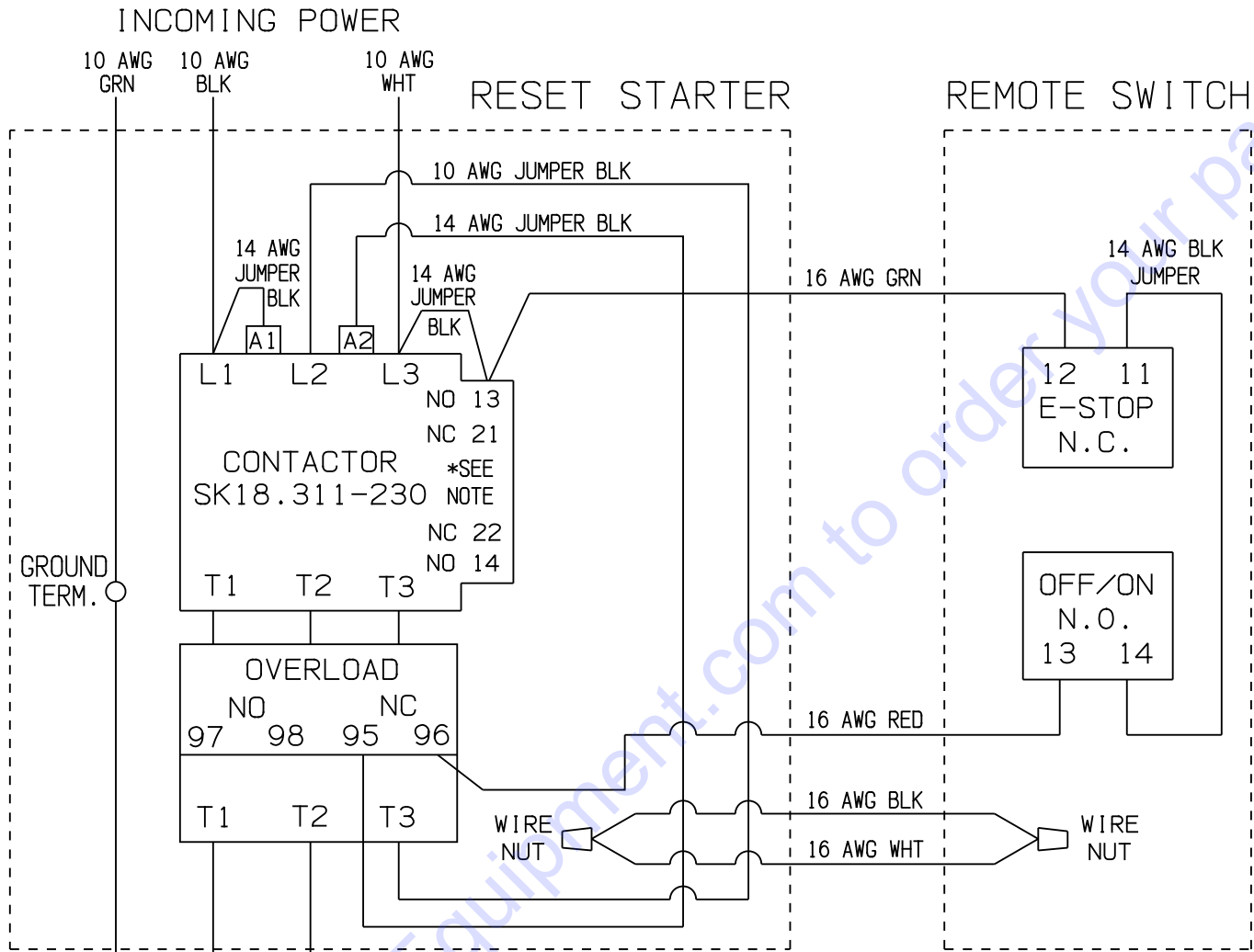
**ILLUSTRATION FOR 2-BOX SYSTEM**

MOTOR WITHOUT THERMAL OVERLOAD  
(NOT INCLUDED IN THIS KIT)  
BALDOR CAT. NO. L3608T



PARTS LISTING FOR 65135 2-BOX SYSTEM			
ITEM #	PART #	DESCRIPTION	QTY.
1	16660	SWITCH BOX COMPLETE, ON/OFF/E-STOP INCLUDES:	1
	16661	ENCLOSURE, 2 HOLE ACI PBE2	1
	16662	LEGEND PLATE, EMER.STOP - BLACK	1
	16663	LEGEND PLATE, OFF/ON	1
	16664	MUSHROOM BUTTON, RED JR22GN11R	1
	16665	KNOB TYPE SELECTOR SWITCH, BLACK	1
2	65088	BRACKET, REMOTE SWITCH, CPM-8	1
3	11663	SCREW, MACHINE 8-32 X 1/2	4
4	10462	NUT, KEPS LOCK 8-32 ZINC	4
5	10846	SCREW, CAP STSHW 1/4-20 X 1/2	4
6	10038	WASHER, LOCK 1/4 ZINC	4
7	10790	CONDUIT LOCK NUT 1/2 NP (LOC. INSIDE BOX)	1
8	40066	STRAIN RELIEF 1/2NPT X .350-.450"	2
9	65106	WIRE HARNESS 16/4 X 48"LOA	1
10	10982	TIE, CABLE, BLACK NYLON 11-1/4"	3
11	16454	STARTER ACI #128827 REPLACEMENT PARTS:	1
	16617	STARTER CONT./COIL ACI SK18.310-230	1
	16622	STARTER AC COIL 200/240V-60HZ	1
	16637	STARTER OVERLOAD RELAY 17.5-21.5A	1
12	41053	STRAIN RELIEF 1/2NPT X .625-.750"	1
13	65104	WIRE HARNESS 10/3 X 48"LOA, CPM-8	1
14	40037	PLUG, LOCKING 20A/250V L6-20P	1
15	11565	CLAMP, LOOM, 5/8" (SAE SIZE 10)	1
16	10831	WASHER, LOCK, INT. TOOTH #10	1
17	10877	SCREW, CAP STSHW 10-24 X 1/2	1
18	11621	STRAIN RELIEF 1/2"90D X .625-.750"	1
19	10984	STAIN RELIEF 90D X 3/4NPT .65-.75	1
20	10740	CONDUIT LOCK NUT 3/4 NP (LOC. INSIDE BOX)	1
21	65107	WIRE HARNESS 10/3 X 28"LOA, CPM-8	1
22	65087	MOUNT, STARTER	1
23	11732	SCREW, MACHINE 10-32 X 1-3/4 RPH	2
	10384	SCREW, MACHINE 10-32 X 1 RHP	1
24	10832	NUT, KEPS LOCK 10-32 ZINC	3
25	10820	BOLT, CARRIAGE 5/16-18 X 1-1/4 F.T.	4
26	10213	WASHER, FLAT 5/16 SAE ZINC	4
27	10801	WASHER, LOCK 5/16 ZINC	4
28	10054	NUT, HEX 5/16-18 ZINC	4

**WIRING DIAGRAM FOR 2-BOX SYSTEM**



**\*NOTE:**  
 TERMINAL 21 IS LOCATED ON TOP.  
 BE SURE THE WIRES ARE CONNECTED  
 TO TERMINAL 13 WHICH IS BELOW 21.

COLOR CODES	
BLK	= BLACK
GRN	= GREEN
RED	= RED
WHT	= WHITE

# 65135 Starter System Kit 1-Box to 2-Box Conversion

## Installation Instructions

1. Remove. belt cover.
2. Loosen motor mount and remove belts.
3. Unbolt motor and set aside.
4. Disconnect cord from motor.
5. Remove old switch box and wiring and discard.
6. Reinstall motor with starter mount, #22, sandwiched between motor and mount as shown in diagram.
7. Use longer bolts, #25, supplied.
8. Route wiring along handle leg to get remote switch box up into opening at top of handle.
9. Align bracket, #2, on the back legs of handle and drill 4 mounting holes. Drill size is 7/32".
10. Mount remote switch with 1/4-20 self tapping screws.
11. Secure wiring as shown in diagram.
12. Rewire motor. Use connection diagram on page 4, bottom left.
13. Install belts. Align & tighten motor and mount.
14. Install belt cover.
15. Test

Remember to disconnect machine from power source during installation.

# PARTS FINDER

**Search Website  
by Part Number**



**Search Manual  
Library For Parts  
Manual & Lookup Part  
Numbers – Purchase  
or Request Quote**

**Search Manuals**

Enter your information to help us find the right parts manual for your machine.

\* Brand:

\* Model:

\* Serial:

\* Part Number:

SEARCH

**Can't Find Part or  
Manual? Request Help  
by Manufacturer,  
Model & Description**

**Parts Order Form**

Please fill in the following information to help us find the right part for your machine.

Manufacturer:	<input type="text"/>
Model:	<input type="text"/>
Description:	<input type="text"/>
Part Number:	<input type="text"/>
Quantity:	<input type="text"/>
Notes:	<input type="text"/>

Submit

Discount-Equipment.com is your online resource for quality parts & equipment.

Florida: **561-964-4949** Outside Florida TOLL FREE: **877-690-3101**

**Need parts?**

Click on this link: <http://www.discount-equipment.com/category/5443-parts/> and choose one of the options to help get the right parts and equipment you are looking for. Please have the machine model and serial number available in order to help us get you the correct parts. If you don't find the part on the website or on one of the online manuals, please fill out the request form and one of our experienced staff members will get back to you with a quote for the right part that your machine needs.

We sell worldwide for the brands: Genie, Terex, JLG, MultiQuip, Mikasa, Essick, Whiteman, Mayco, Toro Stone, Diamond Products, Generac Magnum, Airman, Haulotte, Barreto, Power Blanket, Nifty Lift, Atlas Copco, Chicago Pneumatic, Allmand, Miller Curber, Skyjack, Lull, Skytrak, Tsurumi, Husquvarna Target, Stow, Wacker, Sakai, Mi-T-M, Sullair, Basic, Dynapac, MBW, Weber, Bartell, Bennar Newman, Haulotte, Ditch Runner, Menegotti, Morrison, Contec, Buddy, Crown, Edco, Wyco, Bomag, Laymor, EZ Trench, Bil-Jax, F.S. Curtis, Gehl Pavers, Heli, Honda, ICS/PowerGrit, IHI, Partner, Imer, Clipper, MMD, Koshin, Rice, CH&E, General Equipment, Amida, Coleman, NAC, Gradall, Square Shooter, Kent, Stanley, Tamco, Toku, Hatz, Kohler, Robin, Wisconsin, Northrock, Oztec, Toker TK, Rol-Air, APT, Wylie, Ingersoll Rand / Doosan, Innovatech, Con X, Ammann, Mecalac, Makinex, Smith Surface Prep, Small Line, Wanco, Yanmar