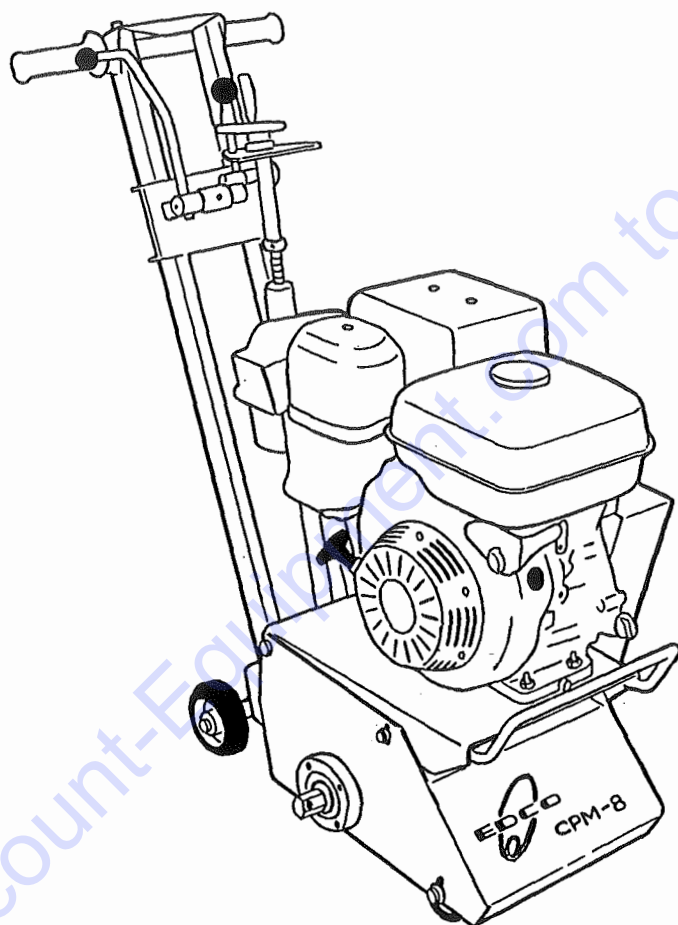
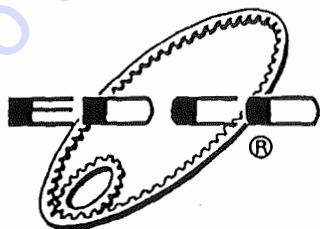


COMPACT PLANER

PARTS LIST MANUAL



Model CPM-8



PARTS FINDER

**Search Website
by Part Number**



**Search Manual
Library For Parts
Manual & Lookup Part
Numbers – Purchase
or Request Quote**

Search Manuals

Enter your information to help us find the right parts manual for your machine.

* Brand:

* Model:

* Serial:

* Part Number:

SEARCH

**Can't Find Part or
Manual? Request Help
by Manufacturer,
Model & Description**

Parts Order Form

Please fill in the following information to help us find the right part for your machine.

Manufacturer:	<input type="text"/>
Model:	<input type="text"/>
Description:	<input type="text"/>
Part Number:	<input type="text"/>
Quantity:	<input type="text"/>
Notes:	<input type="text"/>

Submit

Discount-Equipment.com is your online resource for quality parts & equipment.

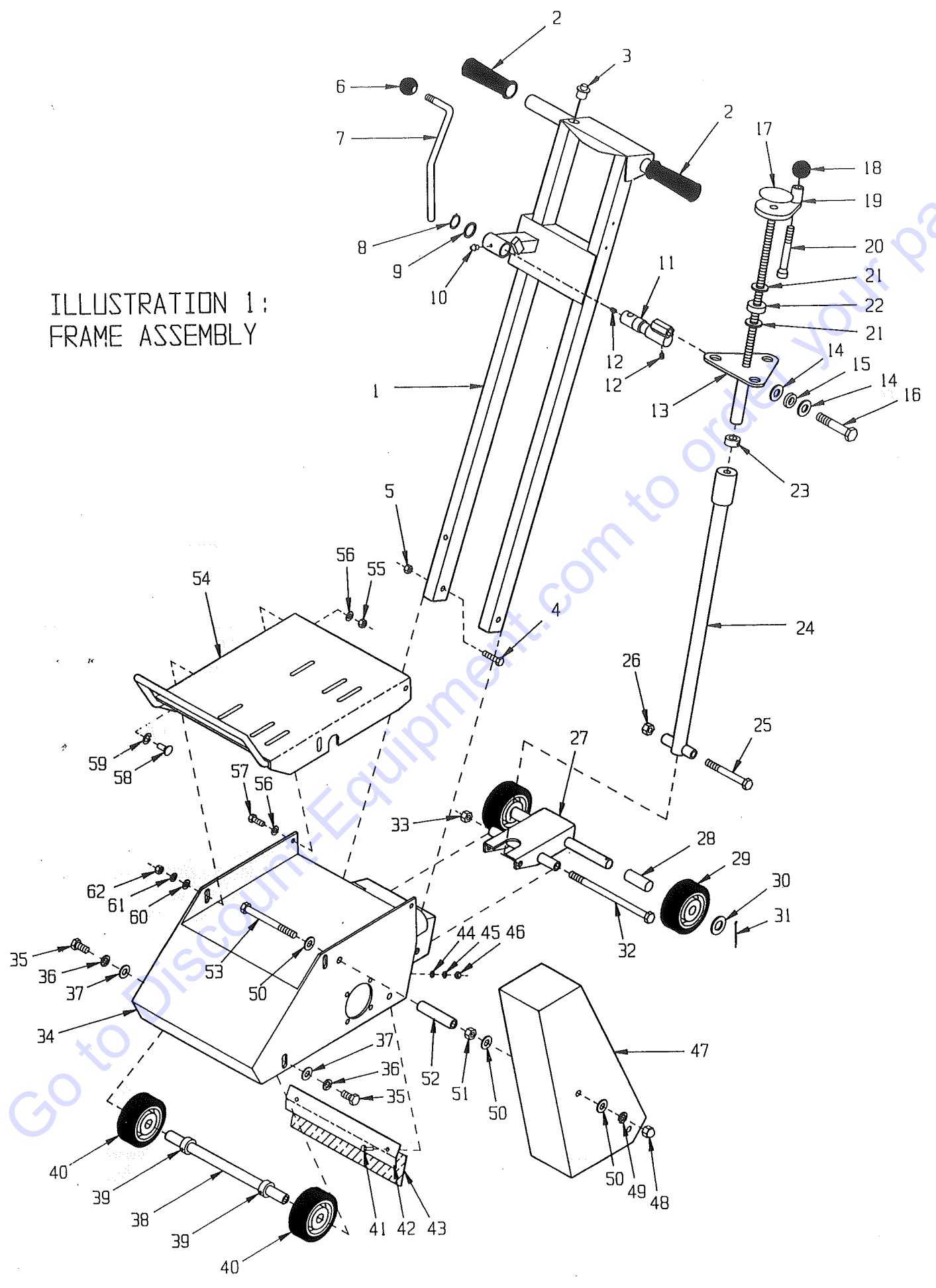
Florida: **561-964-4949** Outside Florida TOLL FREE: **877-690-3101**

Need parts?

Click on this link: <http://www.discount-equipment.com/category/5443-parts/> and choose one of the options to help get the right parts and equipment you are looking for. Please have the machine model and serial number available in order to help us get you the correct parts. If you don't find the part on the website or on one of the online manuals, please fill out the request form and one of our experienced staff members will get back to you with a quote for the right part that your machine needs.

We sell worldwide for the brands: Genie, Terex, JLG, MultiQuip, Mikasa, Essick, Whiteman, Mayco, Toro Stone, Diamond Products, Generac Magnum, Airman, Haulotte, Barreto, Power Blanket, Nifty Lift, Atlas Copco, Chicago Pneumatic, Allmand, Miller Curber, Skyjack, Lull, Skytrak, Tsurumi, Husquvarna Target, Stow, Wacker, Sakai, Mi-T-M, Sullair, Basic, Dynapac, MBW, Weber, Bartell, Bennar Newman, Haulotte, Ditch Runner, Menegotti, Morrison, Contec, Buddy, Crown, Edco, Wyco, Bomag, Laymor, EZ Trench, Bil-Jax, F.S. Curtis, Gehl Pavers, Heli, Honda, ICS/PowerGrit, IHI, Partner, Imer, Clipper, MMD, Koshin, Rice, CH&E, General Equipment, Amida, Coleman, NAC, Gradall, Square Shooter, Kent, Stanley, Tamco, Toku, Hatz, Kohler, Robin, Wisconsin, Northrock, Oztec, Toker TK, Rol-Air, APT, Wylie, Ingersoll Rand / Doosan, Innovatech, Con X, Ammann, Mecalac, Makinex, Smith Surface Prep, Small Line, Wanco, Yanmar

ILLUSTRATION 1:
FRAME ASSEMBLY



PARTS LISTING - ILLUSTRATION 1: FRAME ASSEMBLY

Item #	Part #	Description	Qty.
1.	65009	Handle Bar	1
2.	10608	Hand Grip 1" AT-Style	2
3.	50010	Switch, Stop Button	1
4.	10816	Screw, Cap 3/8-24 1-1/2	2
5.	10004	Nut, Lock 3/8-24	2
6.	14023	Knob, Ball 1/2-13 x 1-3/8"Rd.	1
7.	65011	Lever, Cam	1
8.	10906	Retaining Ring, Ext. 1"	1
9.	3629	Spacer, Copper Thrust 1"ID	1
10.	10808	Fitting, Grease 1/4-28 Straight	1
11.	65010	Cam Shaft Assembly	1
12.	10052	Screw, Set 5/16-18 x 3/8	2
13.	65007	Linkage Support, Upper	1
14.	10073	Washer, Flat 5/8	2
15.	79035	Bushing, Rubber 5/8ID x 1/4Thk	1
16.	10359	Screw, Cap 5/8-11 x 3-1/4	1
17.	80007	Decal, "Cut Control" (Small)	1
18.	10018	Knob, Ball 1/2-13 x 1-3/8"Rd.	1
19.	65008	Handwheel W/ 5/8-8 x 18"Rod	1
20.	10044	Screw, Skt. Hd. 1/2-13 x 3-1/2	1
21.	10073	Washer, Flat 5/8	2
22.	85005	Bearing, Ball 5/8"ID Thrust	1
23.	10096	Collar, Locking 5/8	1
24.	65006	Linkage, Lower	1
25.	10339	Screw, Cap 1/2-20 x 4	1
26.	10072	Nut, Lock 1/2-20	1
27.	65004	Fork	1
28.	65005	Spacer, Rear Wheel	2
29.	52001	Wheel, Alum. 4 x 1-1/2 x 3/4Brg	2
30.	10009	Washer, Flat 3/4	2
31.	10306	Pin, Cotter 3/16 x 1-1/2	2
32.	65015	Screw, Cap 1/2-13 x 8	1
33.	10407	Nut, Lock 1/2-13	1
34.	65001	Main Frame	1
35.	10304	Screw, Cap 1/2-20 x 1	2
36.	10045	Washer, Lock 1/2	2
37.	10312	Washer, Flat 1/2	2
38.	65014	Axle Shaft, Front	1
39.	10428	Collar, Locking 3/4	2
40.	52001	Wheel, Alum. 4 x 1-1/2 x 3/4Brg	2
41.	10334	Screw, Cap 1/4-20 x 3/4	2
42.	65012	Bracket, Chip Guard	1
43.	65013	Guard, Chip, Rubber 2.5 x 11.5	1
44.	10602	Washer, Flat 1/4	2
45.	10038	Washer, Lock 1/4	2
46.	10013	Nut 1/4-20	2
47.	65003	Cover, Belt	1
48.	10422	Nut, Acorn 1/2-20	2
49.	10045	Washer, Lock 1/2	2
50.	10312	Washer, Flat 1/2	6
51.	10072	Nut 1/2-20	2
52.	65016	Spacer Tube 1/2"ID x 3-7/16"L	2
53.	65017	Screw, Cap 1/2-20 x 5	2
54.	65002	Mount, Engine/Motor	1
55.	10004	Nut, Lock 3/8-24	2
56.	10025	Washer, Flat 3/8	4
57.	10021	Screw, Cap 3/8-24 x 1	2
58.	10802	Bolt, Carr. 3/8-16 x 1	2
59.	10040	Washer, Garret 17/32	2
60.	10025	Washer, Flat 3/8	2
61.	10811	Washer, Lock 3/8	2
62.	10404	Nut 3/8-16	2

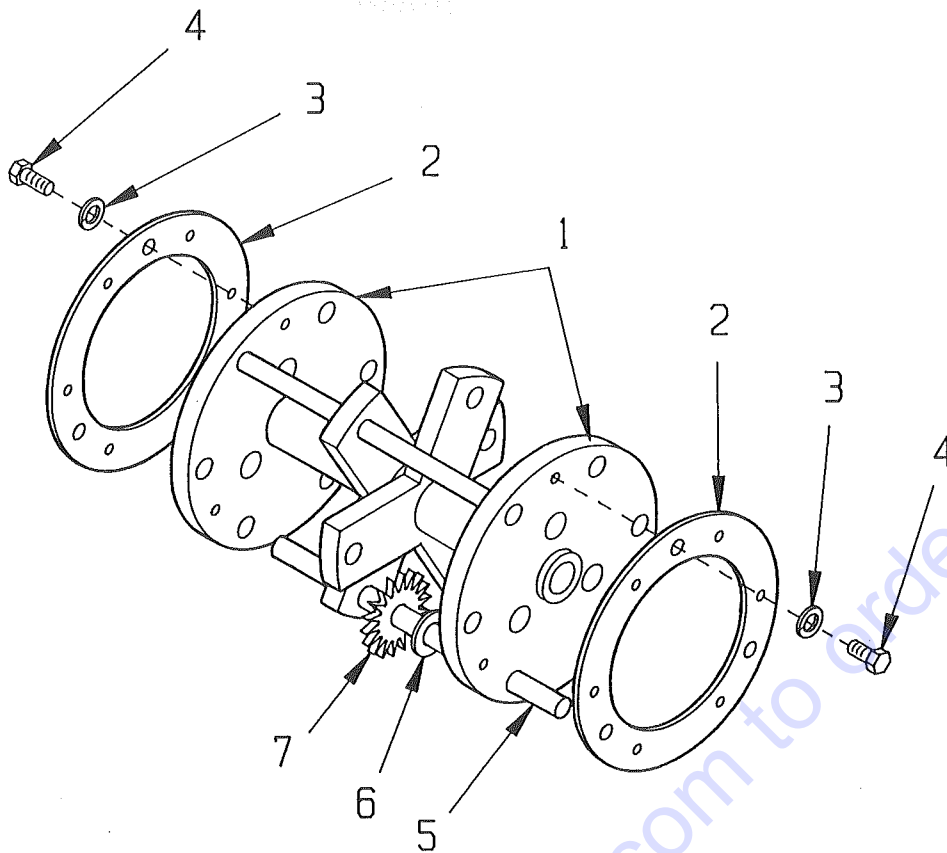


ILLUSTRATION 2:
CUTTER WHEEL DRUM ASSEMBLY

Item #	Part #	Description	Qty.
1-4.	65050	Drum Assembly Complete (Includes Items 1 thru 4)	
1.	65051	Drum Only, Cutter 8-5/8" Wide	1
2.	65054	Retaining Plate, Cutter Shaft	2
3.	10801	Washer, Lock 5/16	6
4.	10053	Screw, Cap 5/16-18 x 3/4	6
5.	20150	CP407 Cutter Shaft 8-1/2"L	6
6.	12230	CG227 Spacer 1/2" ID	*
7.		Cutter Wheels	*
	12206	JRS501-P Pointed Hi-Carbon Steel	
	20206	CP305 Flat Tip Hi-Carbon Steel	
	20156	CP206-T Tunsten Carbide	

* NOTE: Number of Cutters and Spacers vary with type of set-up used.

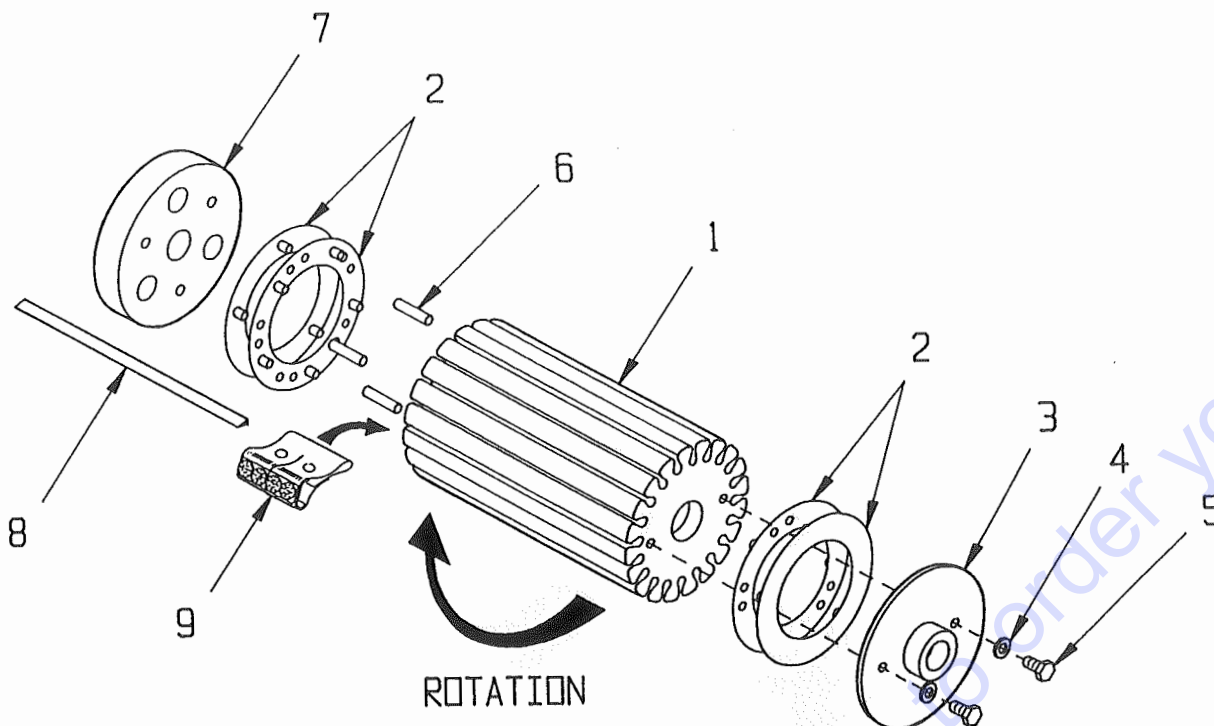


ILLUSTRATION 3:
ROTO-PEEN FLAP DRUM ASSEMBLY

Item #	Part #	Description	Qty.
1-8.	65060	Drum Assembly (Includes Items 1 thru 8)	
1.	65061	Drum Only 7-1/4"	1
2.	25050	Spacer Ring Set (#1 & 2)	2
3.	65062	End Flange Plate	1
4.	10038	Washer, Lock 1/4	2
5.	10834	Screw, Cap 1/4-20 x 1/2	2
6.	10037	Pin, Roll 1/4 x 1-1/2	3
7.	65063	End Flange Disc	1
8.	65065	Keeper Strip 7"	20
9.	25020	Flap 2 inch, B-Type	*
	25010	Flap 1 inch, B-Type	*

* Note: Number of Flaps vary with type of set-up used.
Flaps are not included with Drum Assembly.

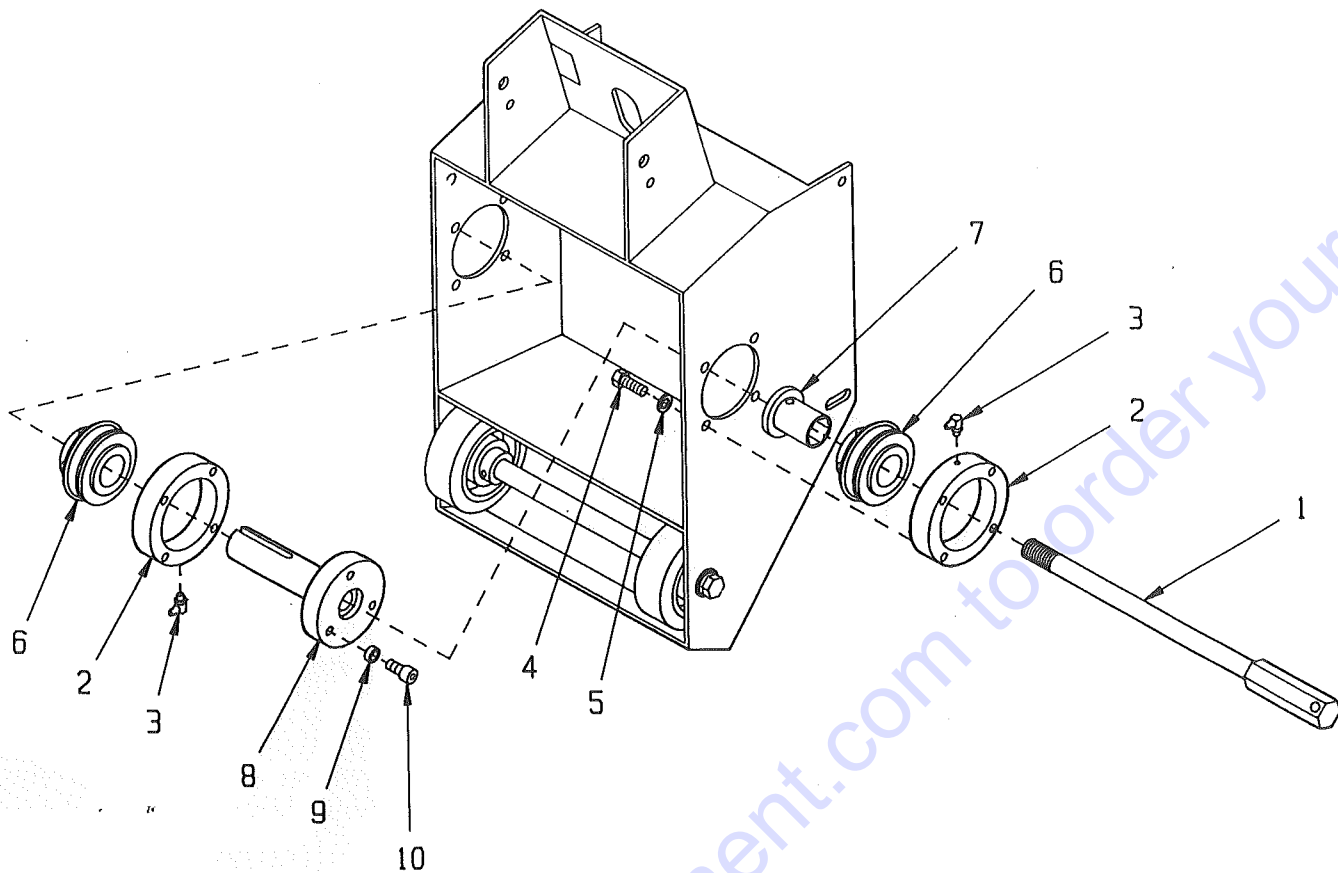


ILLUSTRATION 4:
DRUM AXLE AND BEARINGS

Item #	Part #	Description	Qty.
1.	65032	Axle Shaft, Drum	1
2.	65031	Retainer, Bearing	2
3.	10961	Fitting, Grease 1/4-28 x 90	2
4.	10021	Screw, Cap 3/8-24 x 1	8
5.	10811	Washer, Lock 3/8	8
6.	65030	Bearing, Ball 1-1/4" W/ Snap Ring	2
7.	65033	Bushing, 1" Hex Bore	1
8.	65034	Shaft W/ Hub, Drive	1
9.	10113	Spacer, Steel 3/8"ID x 7/32"W	3
10.	10859	Screw, Skt. Hd. 3/8-24 x 3/4	3

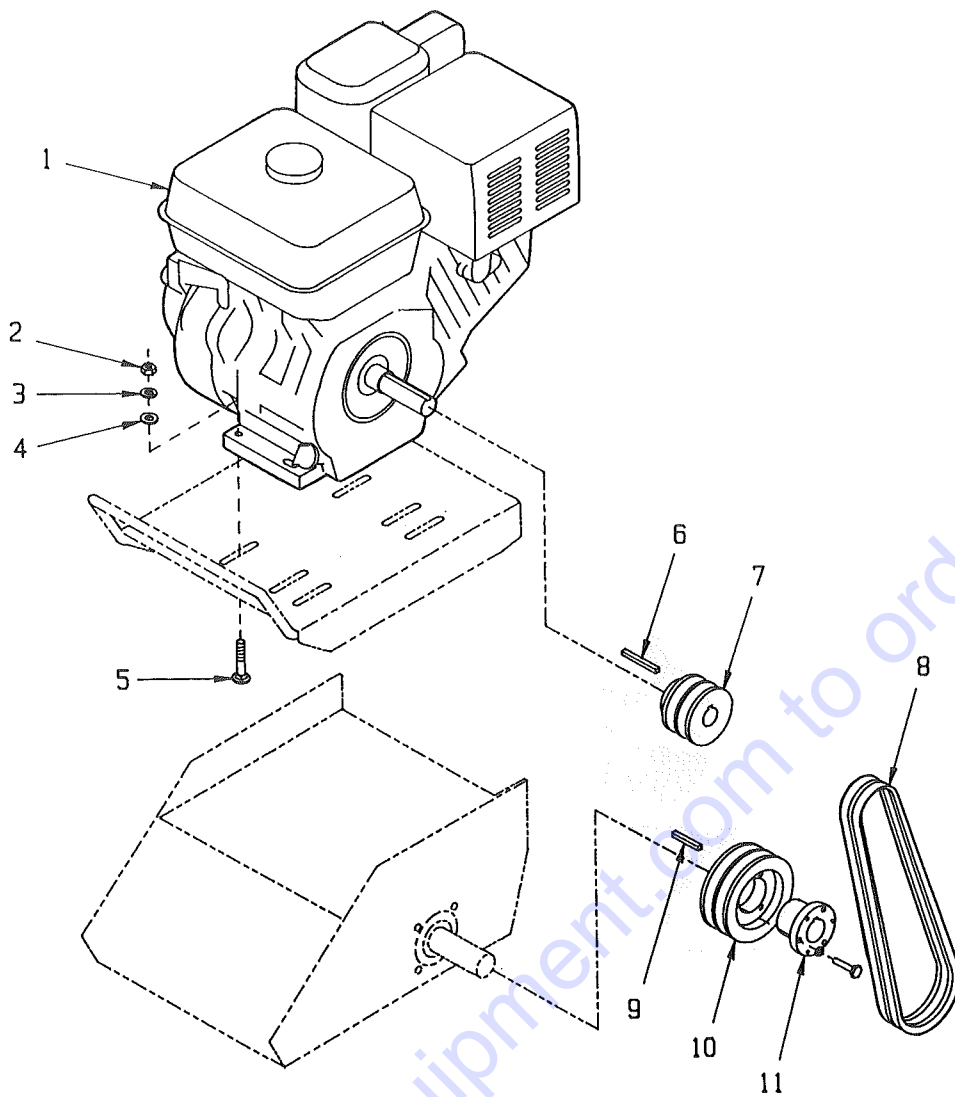
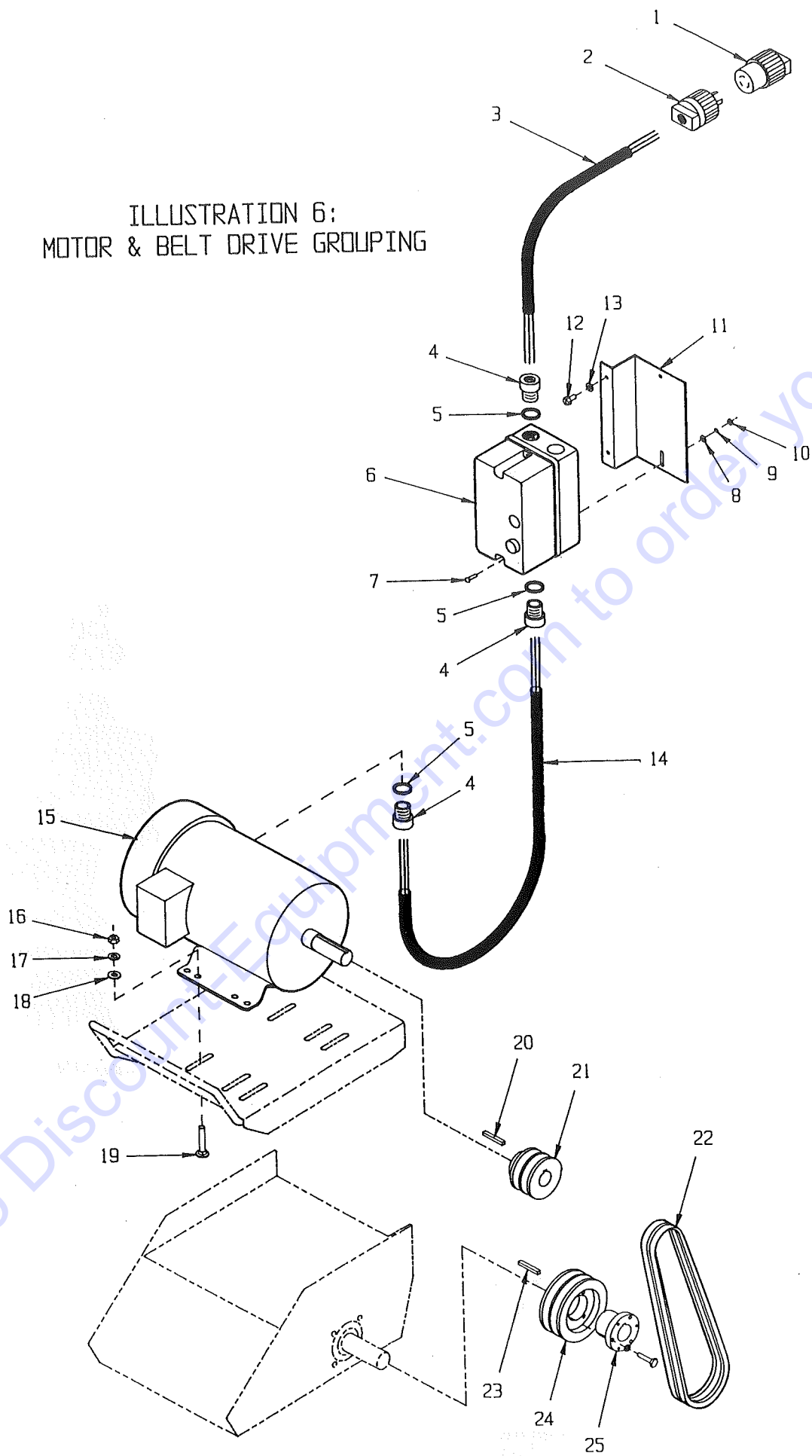


ILLUSTRATION 5: ENGINE & BELT DRIVE GROUPING

Item #	Part #	Description	Qty.
1.	15027	Engine, Honda 9 HP (Shown)	1
	or 15015	Engine, Kohler 8 HP	1
	or 4853	Engine, B & S 8 HP	1
2.	10054	Nut 5/16-18	4
3.	10801	Washer, Lock 5/16	4
4.	10213	Washer, Flat 5/16	4
5.	10817	Bolt, Carr. 5/16-18 x 1-1/2	4
6.	10307	Key 1/4 Sq. x 2-1/4	1
7.	10109	Sheave 3"OD x 2Gr.A x 1"Bore	1
8.	10233	Belt AX-34	2
	or 81007	Belt AX-33	2
9.	10115	Key 1/4 Sq. x 2	1
10.	65018	Sheave 4.55"OD x 2Gr.B x SH	1
11.	10505	Bushing, Sheave SH x 1-1/4	1

ILLUSTRATION 6:
MOTOR & BELT DRIVE GROUPING



PARTS LISTING - ILLUSTRATION 6: MOTOR & BELT DRIVE GROUPING

Item #	Part #	Description	Qty.
1.	40000	Plug, Connector 20A/250V	1*
2.	40037	Plug 20A/250V	1*
3.	86026*	Wire Harness 10/3 x 24"	1
or	86022*	Wire Harness 12/4 x 24"	1
4.	10605	Connector, Strain Relief 3/4NPT x .650-.750"Range	3
5.	10740	Nut, Conduit Lock 3/4 NPT	3
6.	85045	Starter CBK3-30	1
7.	10362	Screw, Machine 8-32 x 3/4	2
8.	10850	Washer, Flat #10	2
9.	10461	Washer, Int. Tooth #8	2
10.	10462	Nut 8-32	2
11.	86027	Mounting Brkt., Lg. Starter	1
12.	10846	Screw, Self-Tap 1/4-20 x 1/2	2
13.	10038	Washer, Lock 1/4	2
14.	65040*	Wire Harness 10/3 x 50"	1
or	65041*	Wire Harness 12/4 x 50"	1
15.	81026	Motor, Baldor 5 HP - 1 Phase	1
or	81022	Motor, Baldor 5 HP - 3 Phase	1
16.	10054	Nut 5/16-18	4
17.	10801	Washer, Lock 5/16	4
18.	10213	Washer, Flat 5/16	4
19.	10819	Bolt, Carr. 5/16-18 x 1	4
20.	10101	Key 1/4 Sq. x 1-3/4	1
21.	10526	Sheave 3"ODx 2Gr.Ax 1-1/8"Bore	1
22.	10249	Belt AX-31	2
or	81007	Belt AX-33	2
or	10223	Belt AX-36	2
23.	10115	Key 1/4 Sq. x 2	1
24.	65018	Sheave 4.55"OD x 2Gr.B x SH	1
25.	10505	Bushing, Sheave SH x 1-1/4	1

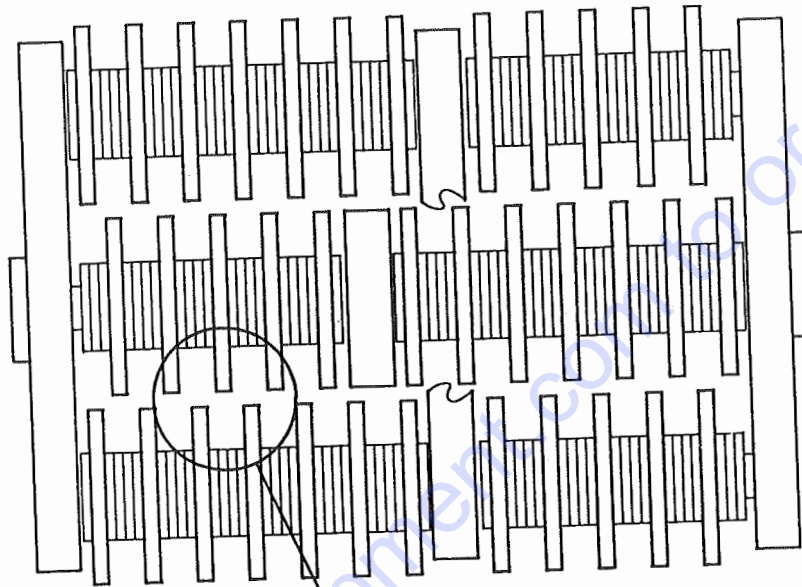
* Note: Plug and Connector (Items #1 & 2)
are not supplied on 3 phase units.
1-Phase units use 10/3 Wire Harness
3-Phase units use 12/4 Wire Harness

7-1/2 INCH CUTTER HEAD ASSEMBLY

STANDARD - HI CARBON STEEL CUTTER WHEELS
(JRS501-P or CP-305)

GENERAL PURPOSE MEDIUM SET-UP

TOTAL: 72 CUTTERS - 276 SPACERS
(4 SPACERS IN BETWEEN CUTTERS)



STAGGERED SET-UP

NOTE! BE SURE DRUM IS BALANCED AT ALL TIMES
ALWAYS USE SPACER(S) NEXT TO DRUM FLANGE TO PREVENT DAMAGE TO DRUM

SPACING OF CUTTERS:

The user can change the number of cutter wheels used and the amount of spacing between the cutters to fit each job. The only requirement is that the cutter head be balanced. Each shaft should have the same number of cutters and spacers. An uneven cutter head will cause excessive vibration, damage the bearings and break shafts and cutter wheels. An unbalanced cutter head is an unsafe cutter head. Refer to diagrams of various cutter-spacer configurations and suggested applications.

PARTS FINDER

**Search Website
by Part Number**



**Search Manual
Library For Parts
Manual & Lookup Part
Numbers – Purchase
or Request Quote**

Search Manuals

Enter your information to help us find the right parts manual for your machine.

* Brand:

* Model:

* Serial:

* Part Number:

SEARCH

**Can't Find Part or
Manual? Request Help
by Manufacturer,
Model & Description**

Parts Order Form

Please fill in the following information to help us find the right part for your machine.

Manufacturer:	<input type="text"/>
Model:	<input type="text"/>
Description:	<input type="text"/>
Part Number:	<input type="text"/>
Quantity:	<input type="text"/>
Notes:	<input type="text"/>

Submit

Discount-Equipment.com is your online resource for quality parts & equipment.

Florida: **561-964-4949** Outside Florida TOLL FREE: **877-690-3101**

Need parts?

Click on this link: <http://www.discount-equipment.com/category/5443-parts/> and choose one of the options to help get the right parts and equipment you are looking for. Please have the machine model and serial number available in order to help us get you the correct parts. If you don't find the part on the website or on one of the online manuals, please fill out the request form and one of our experienced staff members will get back to you with a quote for the right part that your machine needs.

We sell worldwide for the brands: Genie, Terex, JLG, MultiQuip, Mikasa, Essick, Whiteman, Mayco, Toro Stone, Diamond Products, Generac Magnum, Airman, Haulotte, Barreto, Power Blanket, Nifty Lift, Atlas Copco, Chicago Pneumatic, Allmand, Miller Curber, Skyjack, Lull, Skytrak, Tsurumi, Husquvarna Target, Stow, Wacker, Sakai, Mi-T-M, Sullair, Basic, Dynapac, MBW, Weber, Bartell, Bennar Newman, Haulotte, Ditch Runner, Menegotti, Morrison, Contec, Buddy, Crown, Edco, Wyco, Bomag, Laymor, EZ Trench, Bil-Jax, F.S. Curtis, Gehl Pavers, Heli, Honda, ICS/PowerGrit, IHI, Partner, Imer, Clipper, MMD, Koshin, Rice, CH&E, General Equipment, Amida, Coleman, NAC, Gradall, Square Shooter, Kent, Stanley, Tamco, Toku, Hatz, Kohler, Robin, Wisconsin, Northrock, Oztec, Toker TK, Rol-Air, APT, Wylie, Ingersoll Rand / Doosan, Innovatech, Con X, Ammann, Mecalac, Makinex, Smith Surface Prep, Small Line, Wanco, Yanmar