

# PART # 65136

## MOTOR & ROTARY SWITCH KIT

CONVERSION  
FOR

Model CPM8  
5HP 230V 1-PHASE  
WALK BEHIND SCARIFIER

*This kit is for units that need the motor replaced and the motor did not have a thermal overload on it. Baldor Cat. No. L3608T or Leeson Cat. No. 131549. It converts the unit to a new Baldor Cat. No. L3608TM motor with a thermal overload and a rotary cam switch in place of a starter only system or a reset starter with a remote switch type system.*

### PARTS LIST AND WIRING DIAGRAM

#### TABLE OF CONTENTS

	<u>Page</u>
Illustration for 2-Box System . . . . .	2
Parts Listing . . . . .	3
Wiring Diagram . . . . .	4 (Back Page)



A Division of Equipment Development Company, Inc.



Printed in USA

JWA ©2012

# PARTS FINDER

**Search Website  
by Part Number**



**Search Manual  
Library For Parts  
Manual & Lookup Part  
Numbers – Purchase  
or Request Quote**

**Search Manuals**

Enter your information to help us find the right parts manual for your machine.

\* Brand:

\* Model:

\* Serial:

\* Part Number:

SEARCH

**Can't Find Part or  
Manual? Request Help  
by Manufacturer,  
Model & Description**

**Parts Order Form**

Please fill in the following information to help us find the right part for your machine.

Manufacturer:	<input type="text"/>
Model:	<input type="text"/>
Description:	<input type="text"/>
Part Number:	<input type="text"/>
Quantity:	<input type="text"/>
Notes:	<input type="text"/>

Submit

Discount-Equipment.com is your online resource for quality parts & equipment.

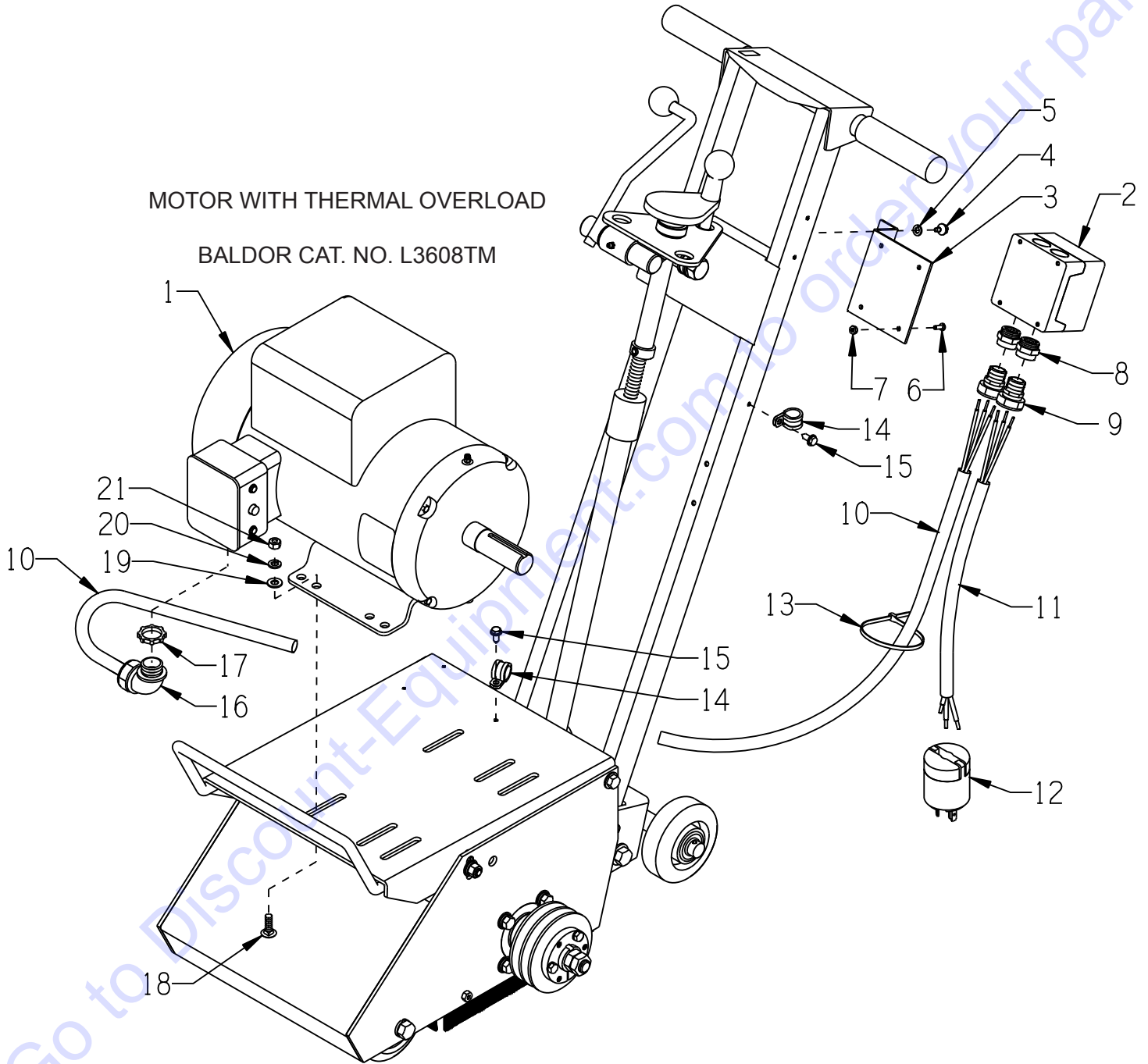
Florida: **561-964-4949** Outside Florida TOLL FREE: **877-690-3101**

**Need parts?**

Click on this link: <http://www.discount-equipment.com/category/5443-parts/> and choose one of the options to help get the right parts and equipment you are looking for. Please have the machine model and serial number available in order to help us get you the correct parts. If you don't find the part on the website or on one of the online manuals, please fill out the request form and one of our experienced staff members will get back to you with a quote for the right part that your machine needs.

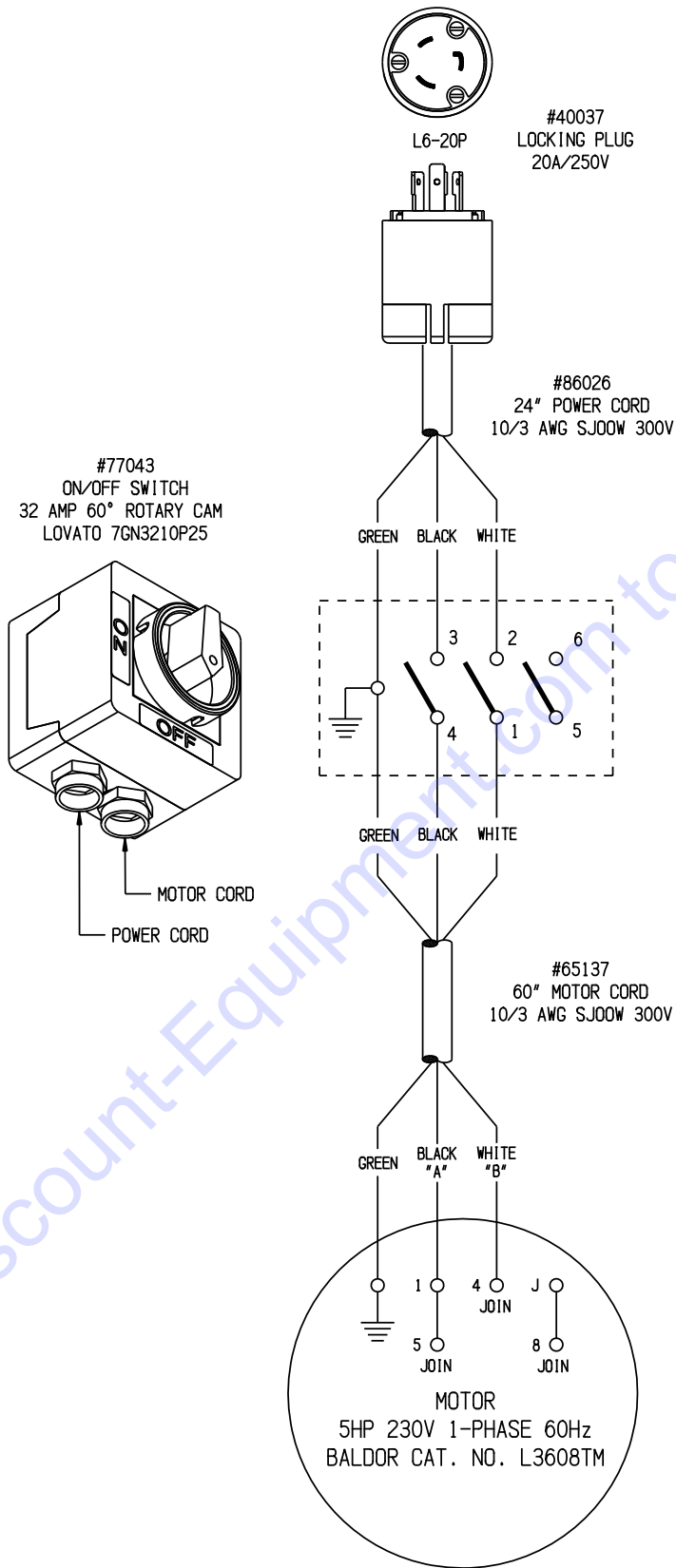
We sell worldwide for the brands: Genie, Terex, JLG, MultiQuip, Mikasa, Essick, Whiteman, Mayco, Toro Stone, Diamond Products, Generac Magnum, Airman, Haulotte, Barreto, Power Blanket, Nifty Lift, Atlas Copco, Chicago Pneumatic, Allmand, Miller Curber, Skyjack, Lull, Skytrak, Tsurumi, Husquvarna Target, Stow, Wacker, Sakai, Mi-T-M, Sullair, Basic, Dynapac, MBW, Weber, Bartell, Bennar Newman, Haulotte, Ditch Runner, Menegotti, Morrison, Contec, Buddy, Crown, Edco, Wyco, Bomag, Laymor, EZ Trench, Bil-Jax, F.S. Curtis, Gehl Pavers, Heli, Honda, ICS/PowerGrit, IHI, Partner, Imer, Clipper, MMD, Koshin, Rice, CH&E, General Equipment, Amida, Coleman, NAC, Gradall, Square Shooter, Kent, Stanley, Tamco, Toku, Hatz, Kohler, Robin, Wisconsin, Northrock, Oztec, Toker TK, Rol-Air, APT, Wylie, Ingersoll Rand / Doosan, Innovatech, Con X, Ammann, Mecalac, Makinex, Smith Surface Prep, Small Line, Wanco, Yanmar

ILLUSTRATION FOR KIT



PARTS LISTING FOR 65136 MOTOR & ROTARY SWITCH KIT			
ITEM #	PART #	DESCRIPTION	QTY.
1	<b>81026</b>	<b>MOTOR, BALDOR 5HP-1PH 60HZ 3450RPM</b>	<b>1</b>
		REPLACEMENT PARTS:	
	16121	CAPACITOR, START, BALDOR EC1161C06SP	2
	16164	CAPACITOR, RUN, BALDOR #OC3040F09SP	1
	16540	THERMAL PROT. (RESET BUTTON) TPBRT25DB	1
2	77043	SWITCH, ROTARY CAM ON/OFF	1
3	77042	BRACKET, ROTARY CAM SWITCH	1
4	10846	SCREW, CAP STSHW 1/4-20 X 1/2	2
5	10038	WASHER, LOCK 1/4 ZINC	2
6	11663	SCREW, MACHINE 8-32 X 1/2 (LOCATED INSIDE OF SWITCH BOX)	4
7	10462	NUT, KEPS LOCK 8-32 ZINC	4
8	77043-1	SWITCH ADAPTER, PG16 TO 1/2"NPT	2
9	41130	STRAIN RELIEF 1/2NPT X .550-.650"	2
10	65137	WIRE HARNESS 10/3 X 60"LOA	1
11	86026	WIRE HARNESS 10/3 X 24"LOA	1
12	40037	PLUG, LOCKING 20A/250V L6-20P	1
13	10982	TIE, CABLE, BLACK NYLON 11-1/4"	2
14	11565	CLAMP, LOOM, 5/8" (SAE SIZE 10)	2
15	10877	SCREW, CAP STSHW 10-24 X 1/2	2
	10831	WASHER, LOCK, INT. TOOTH #10	2
16	16539	STRAIN RELIEF 90D X 3/4NPT .50-.625	1
17	10740	CONDUIT LOCK NUT 3/4 NP (LOCATED INSIDE OF JUNCTION BOX)	1
18	10819	BOLT, CARRIAGE 5/16-18 X 1 FULL THD	4
19	10213	WASHER, FLAT 5/16 SAE ZINC	4
20	10801	WASHER, LOCK 5/16 ZINC	4
21	10054	NUT, HEX 5/16-18 ZINC	4

### WIRING DIAGRAM



Go to Discount-Equipment.com to order your parts

# 65136 Motor & Rotary Switch Kit Conversion

## Installation Instructions

1. Remove belt cover.
2. Loosen motor mount and remove belts.
3. Remove motor and reset box mount and discard.
4. Remove old switch box, reset box and wiring and discard.
5. Install new motor as shown in diagram.
6. Use shorter bolts, #18, supplied.
7. Route wiring along handle leg to get rotary switch box up to top of handle left leg.
8. Align bracket, #3, on the back of the left leg of handle and drill 2 mounting holes. Drill size is 7/32".
9. Mount rotary switch with 1/4-20 self tapping screws.
10. Secure wiring as shown in diagram.
11. Install belts. Align & tighten motor and mount.
12. Install belt cover.
13. Test

Remember to disconnect machine from power source during installation.

# PARTS FINDER

**Search Website  
by Part Number**



**Search Manual  
Library For Parts  
Manual & Lookup Part  
Numbers – Purchase  
or Request Quote**

**Search Manuals**

Enter your information to help us find the right parts manual for your machine.

\* Brand:

\* Model:

\* Serial:

\* Part Number:

SEARCH

**Can't Find Part or  
Manual? Request Help  
by Manufacturer,  
Model & Description**

**Parts Order Form**

Please fill in the following information to help us find the right part for your machine.

Manufacturer:	<input type="text"/>
Model:	<input type="text"/>
Description:	<input type="text"/>
Part Number:	<input type="text"/>
Quantity:	<input type="text"/>
Notes:	<input type="text"/>

Submit

Discount-Equipment.com is your online resource for quality parts & equipment.

Florida: **561-964-4949** Outside Florida TOLL FREE: **877-690-3101**

**Need parts?**

Click on this link: <http://www.discount-equipment.com/category/5443-parts/> and choose one of the options to help get the right parts and equipment you are looking for. Please have the machine model and serial number available in order to help us get you the correct parts. If you don't find the part on the website or on one of the online manuals, please fill out the request form and one of our experienced staff members will get back to you with a quote for the right part that your machine needs.

We sell worldwide for the brands: Genie, Terex, JLG, MultiQuip, Mikasa, Essick, Whiteman, Mayco, Toro Stone, Diamond Products, Generac Magnum, Airman, Haulotte, Barreto, Power Blanket, Nifty Lift, Atlas Copco, Chicago Pneumatic, Allmand, Miller Curber, Skyjack, Lull, Skytrak, Tsurumi, Husquvarna Target, Stow, Wacker, Sakai, Mi-T-M, Sullair, Basic, Dynapac, MBW, Weber, Bartell, Bennar Newman, Haulotte, Ditch Runner, Menegotti, Morrison, Contec, Buddy, Crown, Edco, Wyco, Bomag, Laymor, EZ Trench, Bil-Jax, F.S. Curtis, Gehl Pavers, Heli, Honda, ICS/PowerGrit, IHI, Partner, Imer, Clipper, MMD, Koshin, Rice, CH&E, General Equipment, Amida, Coleman, NAC, Gradall, Square Shooter, Kent, Stanley, Tamco, Toku, Hatz, Kohler, Robin, Wisconsin, Northrock, Oztec, Toker TK, Rol-Air, APT, Wylie, Ingersoll Rand / Doosan, Innovatech, Con X, Ammann, Mecalac, Makinex, Smith Surface Prep, Small Line, Wanco, Yanmar