

REVISED STARTING
SERIAL # 060110202

PARTS LIST MANUAL

8" WALK BEHIND SCARIFIER



MODEL
CPM8-9H
SHOWN

CPM8 SCARIFIERS

SKU NO.	MODEL	POWER OPTIONS
79300	CPM8-9H	9 HP HONDA GX270 GASOLINE ENGINE
79500	CPM8-5B/230/1	5 HP BALDOR 1-PHASE, 230V, 19.5 FLA ELECTRIC MOTOR
79400-230	CPM8-5B/230/3	5 HP BALDOR 3-PHASE, 230V, 12 FLA ELECTRIC MOTOR
79400-460	CPM8-5B/460/3	5 HP BALDOR 3-PHASE, 460V, 6 FLA ELECTRIC MOTOR



PARTS FINDER

**Search Website
by Part Number**



**Search Manual
Library For Parts
Manual & Lookup Part
Numbers – Purchase
or Request Quote**

Search Manuals

Enter your information to help us find the right part for your machine.

* Brand:

* Model:

* Serial:

* Part Number:

SEARCH

**Can't Find Part or
Manual? Request Help
by Manufacturer,
Model & Description**

Parts Order Form

Please fill in the following information:

Manufacturer:

Model:

Description:

Quantity:

Part Number:

Part Name:

Part Description:

Part Category:

Part Location:

Part Status:

Part Condition:

Part Material:

Part Color:

Part Weight:

Part Dimensions:

Part Price:

Part Notes:

Submit

Discount-Equipment.com is your online resource for quality parts & equipment.

Florida: **561-964-4949** Outside Florida TOLL FREE: **877-690-3101**

Need parts?

Click on this link: <http://www.discount-equipment.com/category/5443-parts/> and choose one of the options to help get the right parts and equipment you are looking for. Please have the machine model and serial number available in order to help us get you the correct parts. If you don't find the part on the website or on one of the online manuals, please fill out the request form and one of our experienced staff members will get back to you with a quote for the right part that your machine needs.

We sell worldwide for the brands: Genie, Terex, JLG, MultiQuip, Mikasa, Essick, Whiteman, Mayco, Toro Stone, Diamond Products, Generac Magnum, Airman, Haulotte, Barreto, Power Blanket, Nifty Lift, Atlas Copco, Chicago Pneumatic, Allmand, Miller Curber, Skyjack, Lull, Skytrak, Tsurumi, Husquvarna Target, Stow, Wacker, Sakai, Mi-T-M, Sullair, Basic, Dynapac, MBW, Weber, Bartell, Bennar Newman, Haulotte, Ditch Runner, Menegotti, Morrison, Contec, Buddy, Crown, Edco, Wyco, Bomag, Laymor, EZ Trench, Bil-Jax, F.S. Curtis, Gehl Pavers, Heli, Honda, ICS/PowerGrit, IHI, Partner, Imer, Clipper, MMD, Koshin, Rice, CH&E, General Equipment, Amida, Coleman, NAC, Gradall, Square Shooter, Kent, Stanley, Tamco, Toku, Hatz, Kohler, Robin, Wisconsin, Northrock, Oztec, Toker TK, Rol-Air, APT, Wylie, Ingersoll Rand / Doosan, Innovatech, Con X, Ammann, Mecalac, Makinex, Smith Surface Prep, Small Line, Wanco, Yanmar

READ AND UNDERSTAND THE OPERATORS INSTRUCTION MANUAL THOROUGHLY BEFORE ATTEMPTING TO OPERATE THIS EQUIPMENT. Death or serious injury could occur if this machine is used improperly.



SAFETY MESSAGES



The safety instructions are preceded by a graphic alert message of DANGER, WARNING, or CAUTION.



Indicates an imminent hazard which, if not avoided, will result in death or serious injury.



Indicates an imminent hazard which, if not avoided, can result in death or serious injury.



Indicates hazards which, if not avoided, could result in serious injury and or damage to the equipment.

GASOLINE Powered Equipment



- Do not operate gasoline powered equipment without adequate ventilation. Carbon monoxide is an invisible, odorless gas that can kill.

ELECTRICAL Powered Equipment



- ELECTRICAL HAZARD** - Be sure equipment is properly grounded. Failure to comply could kill or result in serious injury.



The engine exhaust from this product contains chemicals known to the State of California to cause cancer, birth defects or other reproductive harm.

GENERAL INSTRUCTIONS



- You must read and understand the operators instruction manual and all other manuals associated with this machine. For your safety and the safety of others around you, it is extremely important to fully understand how to operate this machine in the way it was intended. Different model machines or older/newer versions of the same model may have different parts and controls that you need to understand. If instructions are not readable or available DO NOT USE this machine and contact Discount-equipment for a replacement Manual.
- You must be able to physically handle the bulk weight and power of this machine. If not properly controlled this machine can cause death or serious injury.
- Do not operate this machine in an impaired mental state. You must be able to exercise good judgement and reactions to maintain a safe working environment.
- This is a "one person" machine which means only one operator can be operating the machine at any one time. For the safety of others, maintain a safe operating distance to other personnel. Your work area should be defined and appropriately marked so bystanders and coworkers do not stand or walk near this machine and end up seriously injured by flying debris or exposing them to harmful noise or dust.
- This equipment is for Commercial use. Although this is a "one person" machine your work team should understand how to shut this machine off and quickly get medical help if an accident strikes the operator.
- Keep all guards in place during operation. The guards are to provide protection from inadvertent contact with dangerous moving parts, pinch points, or hot surfaces.
- Wear appropriate Personal Protective Equipment (PPE) including safety glasses, safety boots, work gloves, respiratory protection, hearing protection, and head protection. Do not wear loose clothing that can get tangled in moving parts. Failure to do so could result

in dismemberment or death. **Wear an approved respirator when removing hazardous materials or when grinding/cutting dry materials. Some dust particles such as concrete dust can contain silicate particles which can cause silicosis (a very serious lung disease). Contact NIOSH or OSHA for further details. When wet grinding/cutting, avoid contact with the concrete/asphalt slurry which can cause serious skin irritations.**

- You must maintain this machine per the maintenance schedule in the operator manual. Remember before adjusting, servicing, or fueling this machine, disconnect the source of power to the machine by disconnecting the spark plug (Gas models), or by unplugging the electrical power cord (electric models) or air hose (Pneumatic models) AT THE MACHINE so you can assure yourself it remains unplugged while you are working on it. Do not modify this machine. Use only genuine EDCO parts and accessories. Repairs and service should be performed by approved EDCO dealers or authorized technicians.
- You should look carefully around the area before you begin work so you can identify potential hazards such as deck inserts, pipes, columns, openings, electrical cords or outlets, or any other objects protruding from the slab surface.
- This machine has no brain so you must use your own. There is no substitute for safety. The safety decals on the machine are to serve as a reminder for information you must already know before you begin using this machine. Take a moment to reread the safety decals each time you use the machine. If your machine is missing any decals, contact Discount-equipment for a replacement.

PARTS LIST MANUAL

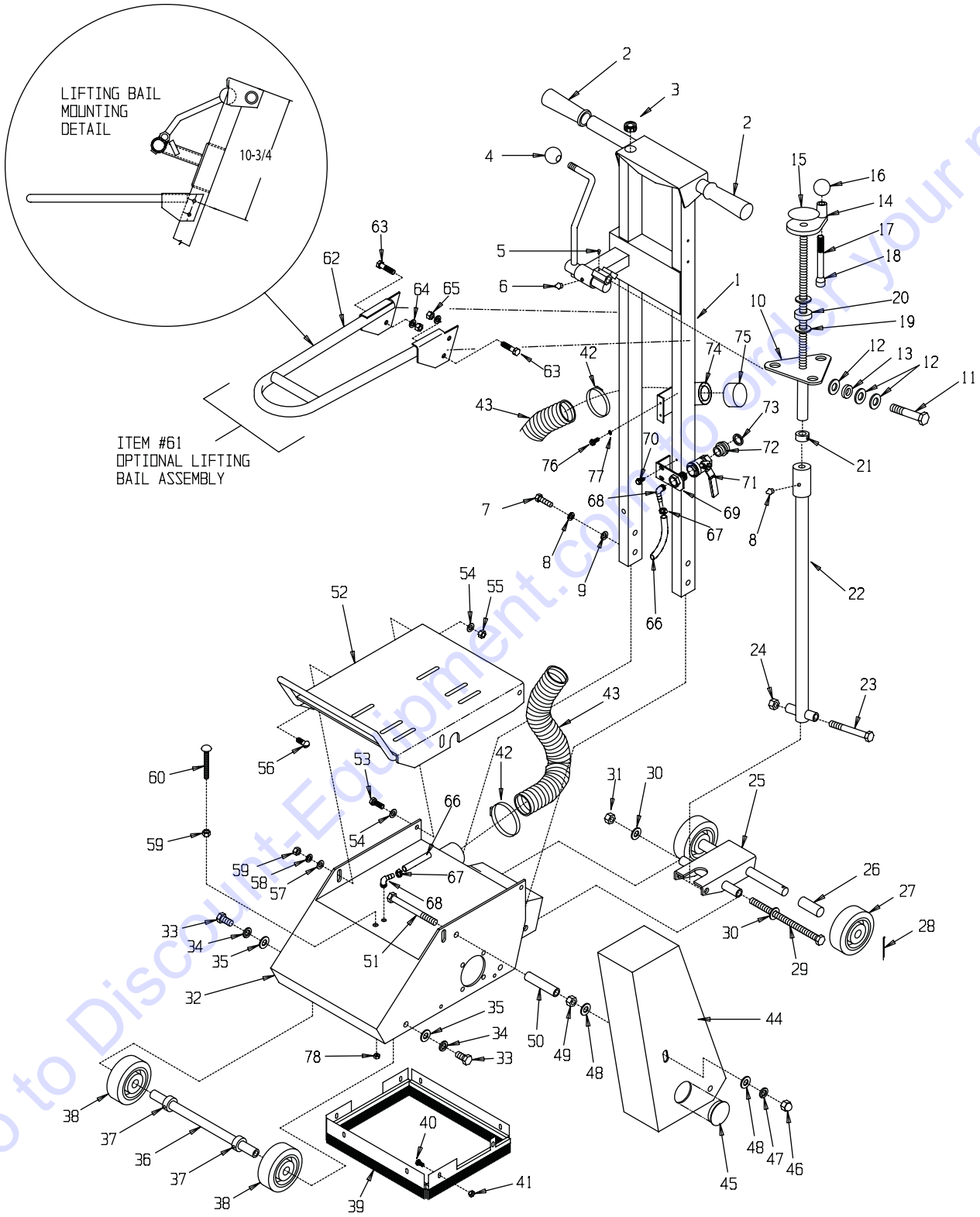
MODEL CPM-8

<u>Section</u>	<u>Page Number</u>
Safety Messages / General Instructions.	2
How To Order Replacement Parts.	3
Illustration 1 : Frame Grouping	4,5
Illustration 2 : Drum Shaft & Bearing Grouping	6
Illustration 3 : Engine & Belt Drive Grouping	7
Illustration 4 : Motor & Belt Drive Grouping	8,9
Illustration 5 : Cutter Drum Assembly	10
Illustration 6 : Diamond Grooving Head Assembly	11
Illustration 7 : Optional Edger Assembly	12
Illustration 8 : Edger Cutter Drum Assembly	13
Illustration 9 : Optional Shaft Cover Kit	14
Blank	15
Limited Equipment Warranty	back cover

Go to Discount-Equipment.com to order your parts



ILLUSTRATION 1: FRAME GROUPING



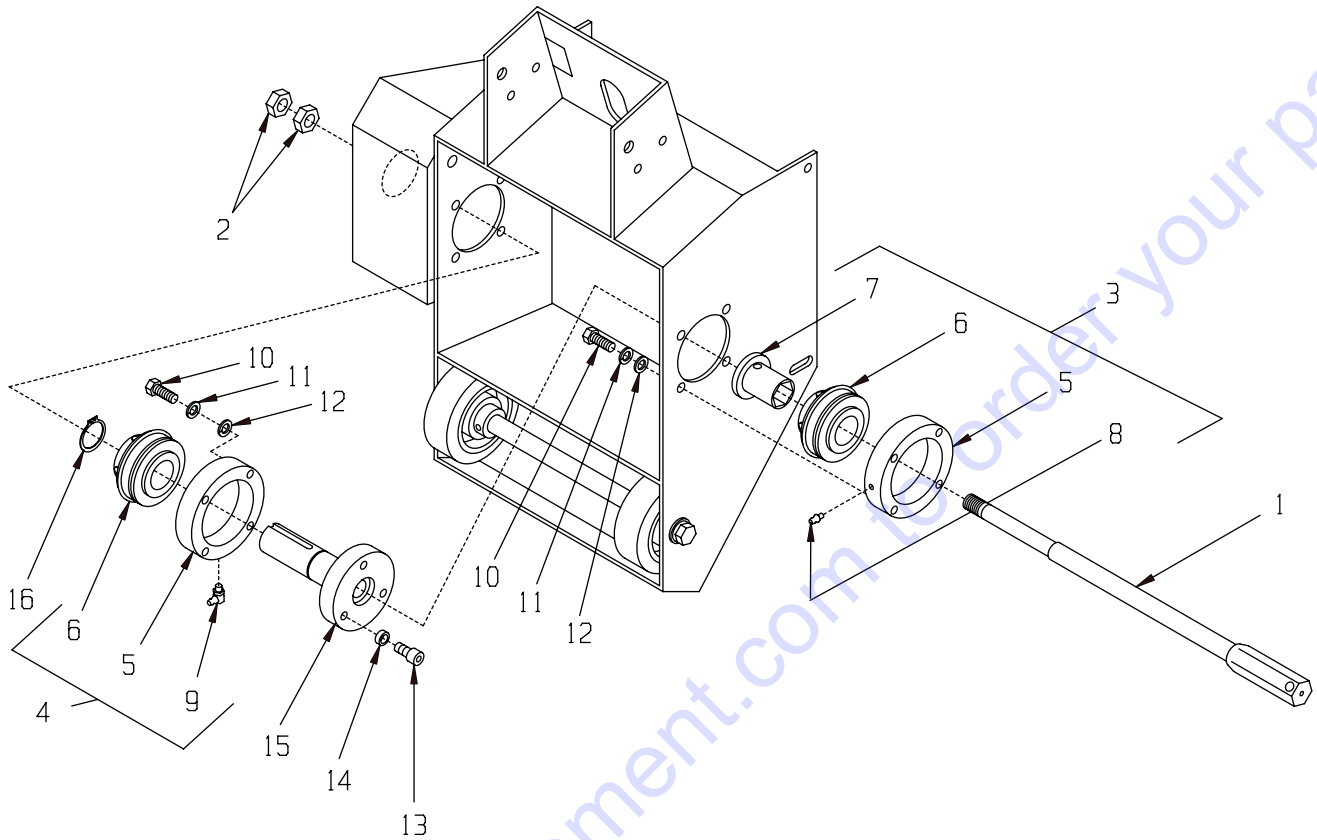
ITEM #61
OPTIONAL LIFTING
BAIL ASSEMBLY



PARTS LISTING - ILLUSTRATION 1: FRAME GROUPING

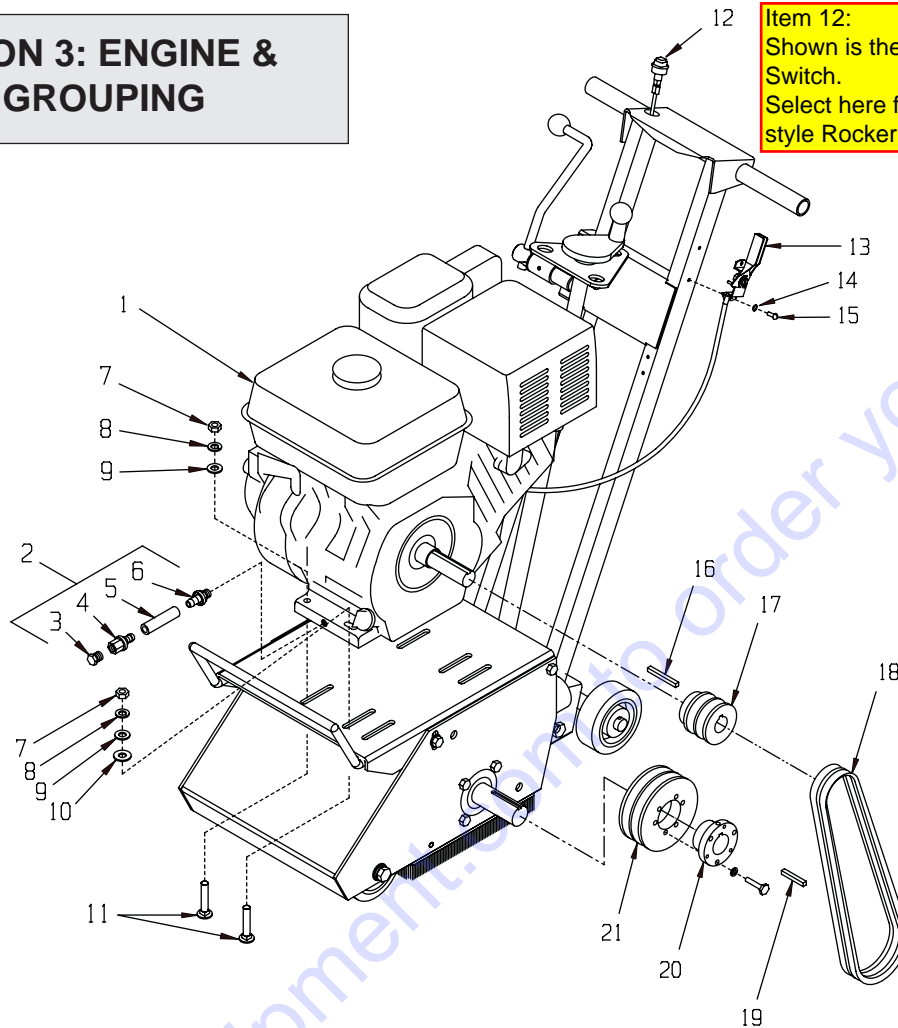
ITEM#	PART#	DESCRIPTION	QTY.	ITEM#	PART#	DESCRIPTION	QTY.
1	65009	HANDLE BAR	1	39	65036	BRUSHES (SET OF 4)	1
2	10608	GRIP, HAND 1' MODEL AT	2	40	10834	SCREW, CAP 1/4-20 x 1/2	8
3	10005	PLUG, HOLE 7/8 (CHROME) - ELEC. MODELS ONLY	1	41	10861	NUT, KEPS 1/4-20	8
4	14023	KNOB, BALL 1-3/8"DIA w/ 1/2-13 THD.	1	42	10745	CLAMP, HOSE, SAE # 32 ADJ. to 2-1/2"	2
5	10127	SCREW, DRIVE 1/8 x 1/4 L	1	43	65098	HOSE, FLEX 2" ID x 22" L	1
6	10808	FITTING, GREASE 1/4-28 STRAIGHT	2	44	65003	COVER, BELT	1
7	10055	SCREW, CAP 3/8-16 x 1	4	45	65022	PLUG, HOLE 2"	1
8	10811	WASHER, LOCK 3/8	4	46	10422	NUT, ACORN 1/2-20	2
9	10025	WASHER, FLAT 3/8	4	47	10045	WASHER, LOCK 1/2	2
10	65007	LINKAGE SUPPORT, UPPER	1	48	10312	WASHER, FLAT 1/2	4
11	10359	SCREW, CAP 5/8-11 x 3-1/4	1	49	10072	NUT 1/2-20	2
12	10073	WASHER, FLAT 5/8	3	50	65016	SPACER, TUBE 1/2 ID x 3-9/16L	2
13	79035	BUSHING, RUBBER 5/8 ID x 1/4 THK	1	51	65017	SCREW, CAP 1/2-20 x 5	1
14	65019	HANDWHEEL, SMALL w/ 5/8-8 x 13" ROD	1	52	65002	MOUNT, ENGINE/MOTOR	1
15	80007	DECAL, DEPTH STOP, DN/UP (SMALL ROUND)	1	53	10021	SCREW, CAP 3/8-24 x 1	2
16	14023	KNOB, BALL 1-3/8 DIA. w/ 1/2-13 THD.	1	54	10025	WASHER, FLAT 3/8	4
17	10411	SCREW, SKT. HD. CAP 1/2-13 x 4	1	55	10004	NUT, LOCK 3/8-24	2
18	50550	SLEEVE for 1/2" CAPSCREW, TAPERED	1	56	10802	BOLT, CARRIAGE 3/8-16 x 1	2
19	10073	WASHER, FLAT 5/8	1	57	10025	WASHER, FLAT 3/8	4
20	85005	BEARING, THRUST BALL 5/8 ID x 1-1/2 OD	1	58	10811	WASHER, LOCK 3/8	4
21	10096	COLLAR, LOCKING 5/8 ID	1	59	10404	NUT 3/8-16	3
22	65006	LINKAGE, LOWER	1	60	10388	BOLT, CARRIAGE 3/8-16 x 3 FULL THREAD	1
23	81001	SCREW, CAP 1/2-13 x 4	1	61	65096A	BAIL ASSEMBLY, LIFTING (ITEMS 62-65)	1
24	10407	NUT, LOCK 1/2-13	1	62	65096	BAIL ONLY, LIFTING	1
25	65004	FORK	1	63	10816	SCREW, CAP 3/8-24 x 1-1/2	4
26	65005	SPACER, REAR WHEEL 2-1/8	2	64	10811	WASHER, LOCK 3/8	4
27	52001	WHEEL, 4 x 1-1/2 x 3/4 BRG. ALUM./ RUBBER	2	65	10014	NUT 3/8-24	4
28	10306	PIN, COTTER 3/16 x 1-1/4	2	66	65089	HOSE, WATER 3/8 ID x 19-1/4 L	1
29	65015	SCREW, CAP 1/2-13 x 8	1	67	50069	CLAMP, HOSE, SAE #6 ADJ. to 13/16	2
30	10312	WASHER, FLAT 1/2	2	68	11562	BARB. ELBOW 90°, 3/8 HOSE x 1/8 MPT	1
31	10407	NUT, LOCK 1/2-13	1	69	56022	BRACKET, WATER VALVE	1
32	65001	MAIN FRAME	1	70	10846	SCREW, STSHW 1/4-20 x 1/2	2
33	10304	SCREW, CAP 1/2-20 x 1	2	71	10711	VALVE, BALL 1/2 FPT	1
34	10045	WASHER, LOCK 1/2	2	72	80021	CONNECTOR, SWIVEL, FEMALE 3/4 HOSE x 1/2 MPT (INCL. #73)	1
35	10312	WASHER, FLAT 1/2	2	73	10070	WASHER, HOSE 3/4	1
36	65014	AXLE SHAFT, FRONT 3/4 DIA. x 12-7/32 L	1	74	86347	BRACKET, MULTI-VAC PORT	1
37	10428	COLLAR, LOCKING 3/4 ID	2	75	64030	PLUG, CAP 3" TUBE	1
38	52001	WHEEL, 4 x 1-1/2 x 3/4 BRG. ALUM./RUBBER	2	76	10846	SCREW, CAP STSHW 1/4-20 x 1/2	2
				77	10038	WASHER, LOCK 1/4	4
				78	10864	NUT 1/8-27 PIPE THREAD	1

ILLUSTRATION 2: DRUM SHAFT & BEARING GROUPING



ITEM#	PART#	DESCRIPTION	QTY.
1	65037	DRUM SHAFT 18-3/8"	1
2	65039	NUT, JAM 5/8-11 LEFT-HAND THREAD	2
3	65057	BEARING ASSY., COMPLETE, 1" HEX BORE (ITEMS 5 THRU 8)	1
4	65056	BEARING ASSY., COMPLETE, 1-1/4" DIA. (ITEMS 5,6,&9)	1
5	65031	RETAINER, BEARING	2
6	65030	BEARING, BALL 1-1/4" w/ SNAP RING	2
7	65033	BUSHING, BEARING, 1" HEX BORE (PRESS FIT IN BEARING)	1
8	10808	FITTING, GREASE 1/4-28 STRAIGHT	1
9	10961	FITTING, GREASE 1/4-28x90D	1
10	10309	SCREW, CAP 3/8-24x1-1/4	8
11	10811	WASHER, LOCK 3/8	8
12	10025	WASHER, FLAT 3/8	8
13	10878	SCREW, SKT. HD. CAP 3/8-24x1	3
14	10113	SPACER, STEEL 9/16"ODx3/8"IDx7/32"	3
15	65038	DRIVER	1
16	10873	RETAINING RING, EXT. 1-1/4"	1

ILLUSTRATION 3: ENGINE & BELT DRIVE GROUPING



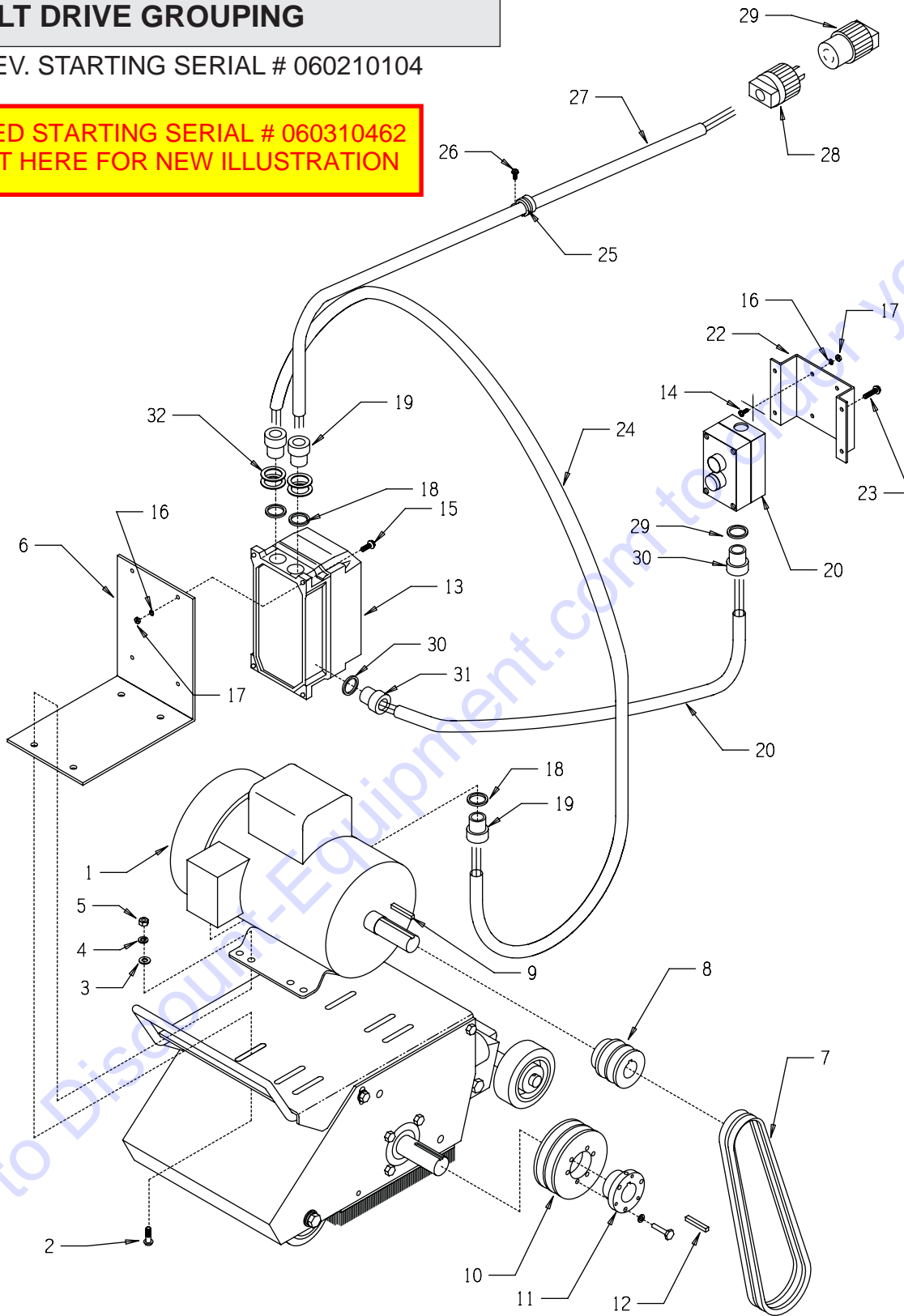
Item 12:
Shown is the round style Push-Button Switch.
Select here for the new rectangular style Rocker Switch.

ITEM#	PART#	DESCRIPTION	QTY.	ITEM#	PART#	DESCRIPTION	QTY.
1	15027	ENGINE, HONDA 9.0 HP GX270-QXC9 w/ CYCLONE AIR CLEANER	1	12	50010	SWITCH KIT, STOP BUTTON, 7/8" HOLE	1
2	40328	OIL DRAIN KIT FOR 9 HP HONDA (CONTAINS ITEMS 3 THRU 6)	1	13	40388	CABLE, THROTTLE LEVER-TYPE 24"	1
3	10776	PIPE PLUG 1/4 NPT (BRASS)	1	14	10831	WASHER, LOCK, INT. TOOTH #10	2
4	11544	BARB, PUSH-ON 3/8 HOSEx1/4 FPT	1	15	10877	SCREW, CAP STSHW 10-24x1/2	2
5	56116	HOSE, PUSH-ON 3/8"IDx3"L	1	16	10307	KEY 1/4 SQ.x2-1/4	1
6	11542	BARB, PUSH-ON 3/8 HOSEx12mmx1.50 MALE	1	17	10553	SHEAVE, 2.5"ODx2 GR.Ax1" BORE	1
7	10054	NUT 5/16-18	4	18	81007	BELT AX-33	2
8	10801	WASHER, LOCK 5/16	4	19	40317	KEY 1/4 SQ.x1-5/8	1
9	10213	WASHER, FLAT 5/16	4	20	10505	BUSHING, SHEAVE SHx1-1/4" BORE	1
10	10025	WASHER, FLAT 3/8	2	21	65045	SHEAVE 4.05"ODx2 GR.AxSH	1
11	10918	BOLT, CARRIAGE 5/16-18x1-3/4	4				

ILLUSTRATION 4: MOTOR & BELT DRIVE GROUPING

REV. STARTING SERIAL # 060210104

REVISED STARTING SERIAL # 060310462
SELECT HERE FOR NEW ILLUSTRATION

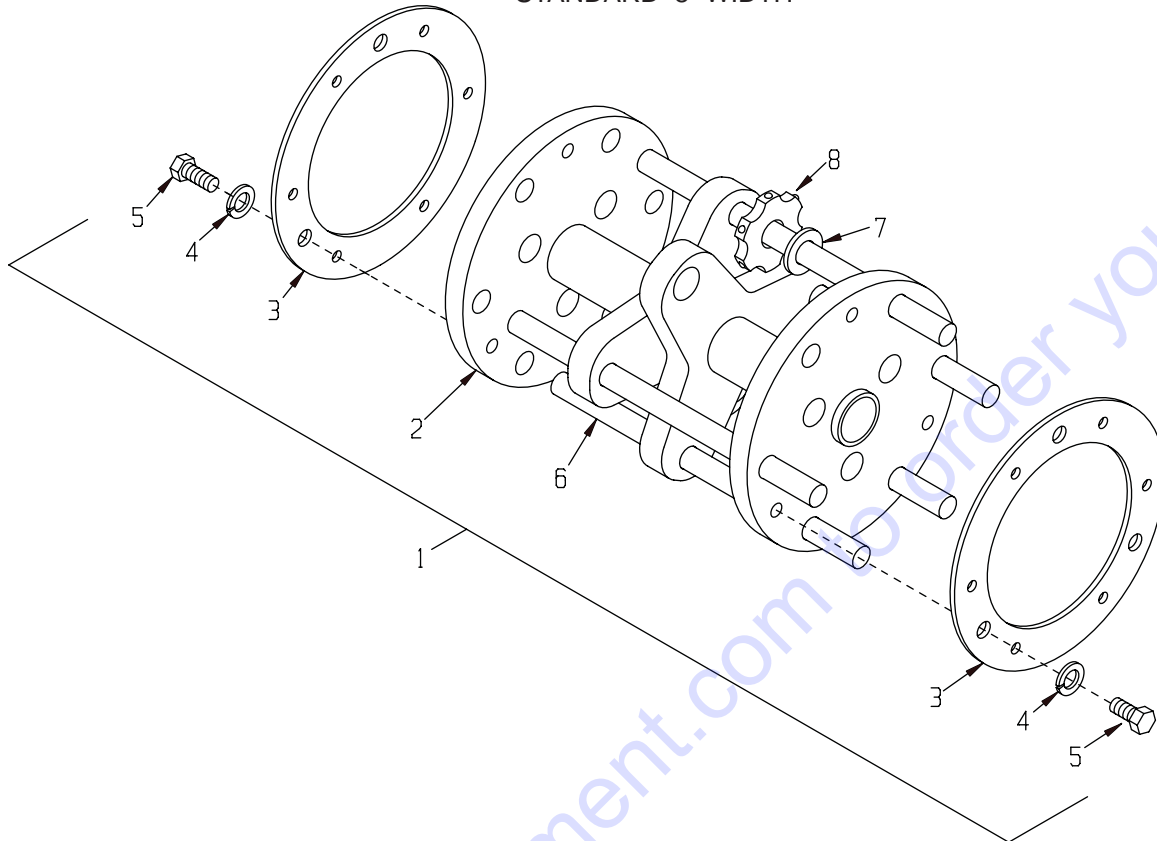


PARTS LISTING - ILLUSTRATION 4: MOTOR & BELT DRIVE GROUPING

ITEM#	PART#	DESCRIPTION	QTY.
1		MOTOR (REQUIRES HOLES DRILLED IN BASE FRAME)	1
	81026	BALDOR 5.0HP - 1PH, 60Hz, 3450 RPM	
	81022	BALDOR 5.0HP - 3PH, 60 Hz, 3450 RPM	
	16020	BALDOR 5.0HP - 3PH, 50 Hz, 2850 RPM	
2	10819	BOLT, CARRIAGE 5/16-18 x 1	4
3	10213	WASHER, FLAT 5/16-18	4
4	10801	WASHER, LOCK 5/16-18	4
5	10054	NUT 5/16-18	4
6	65087	STARTER MOUNT	1
7	10239	BELT AP-32	2
8		SHEAVE	1
	10555	2.5 OD x 2 Gr.A x 1-1/8 BORE (60 Hz MOTOR)	
	10526	3.00 OD x 2Gr.A x 1-1/8 BORE (50 Hz MOTOR)	
9	10101	KEY 1/4" SQ. x 1-3/4 (INCL. w/ MOTOR)	1
10	40317	SHEAVE 4.05 OD x 2 Gr.A x SH	1
11	10505	BUSHING, SHEAVE SH x 1-1/4 BORE	1
12	65045	KEY 1/4 SQ. x 1-5/8	1
13		LOVATO STARTER w/ BLUE RESET BUTTON SPECIFY VOLTAGE FOR 50 Hz	1
	16454	1 PHASE 230V 60 Hz	
	16457	3 PHASE 230V 60 Hz	
	16458	3 PHASE 460V 60 Hz	
14	11663	SCREW, MACHINE 8-32 x 1/2	4
15	10362	SCREW, MACHINE 8-32 x 3/4	4
16	10468	WASHER, INT. TOOTH #8	8
17	10462	NUT 8-32	8
18	10740	CONDUIT, LOCK NUT 3/4 NP	3
19	10605	CONNECTOR, STRAIN RELIEF 3/4 NPT x .650-.750	3
20	65101	WIRE HARNESS 16/4 x 48" LOA STARTER TO SWITCH	1
21	16456	REMOTE SWITCH BOX COMPLETE	1
	16456-1	ENCLOSURE, LOVATO 2-BUTTON	1
	16456-2	ENCLOSURE BUTTON, GREEN FLUSH, START	1
	16456-3	ENCLOSURE BUTTON, RED EXTENDED STOP	1
	16456-4	ENCLOSURE CONTACT, START GREEN N.O.	1
	16456-5	ENCLOSURE CONTACT, STOP RED N.C.	1
22	65088	REMOTE SWITCH BRACKET	1
23	10846	SCREW, STHW 1/4-20 x 1/2	4
24		WIRE HARNESS, STARTER TO MOTOR	1
	65102	10/3 x 44" LOA (1 PHASE)	
	65103	10/4 x 44" LOA (3 PHASE)	
25	11565	CLAMP, LOOM 5/8 (SAE SIZE 10)	1
26	10877	SCREW, CAP STSHW 10-24 x 1/2	1
27		WIRE HARNESS, STARTER TO POWER SOURCE	1
	65104	10/3 x 62" LOA (1 PHASE)	
	65105	10/4 x 62" LOA (3 PHASE)	
28	40037	PLUG, LOCKING 20A/250V (1 PHASE ONLY)	1
29	40000	CONNECTOR, LOCKING 20A/250V (1 PHASE ONLY)	1
30	10709	CONDUIT LOCK NUT 1/2 NPT	2
31	40066	CONNECTOR, STRAIN RELIEF 1/2 NPT x .350 - .450	2
32	77081	WASHER, FLAT 1-1/2 x 1-1/16 x .06	4

ILLUSTRATION 5: CUTTER DRUM ASSEMBLY

STANDARD 8" WIDTH



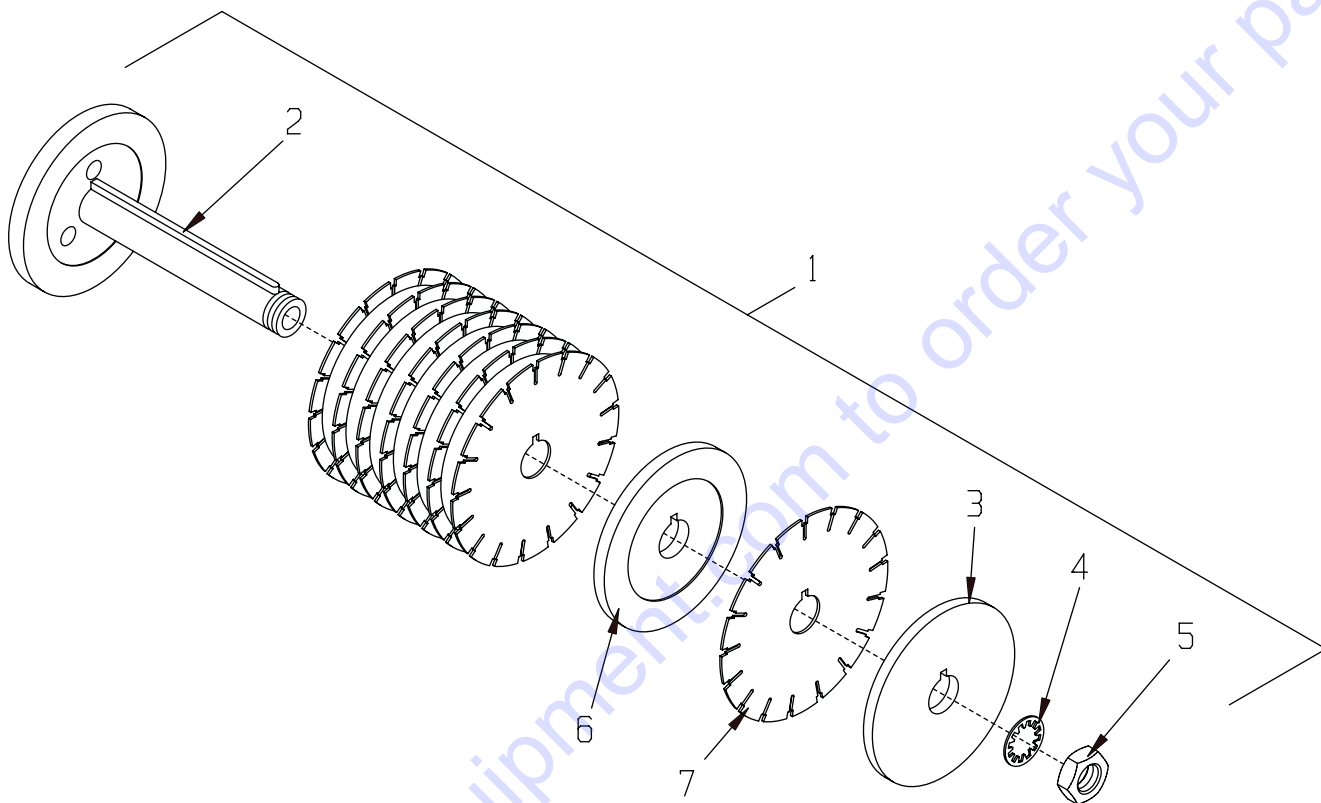
ITEM#	PART#	DESCRIPTION	QTY.
1	65050	DRUM ASSEMBLY, COMPLETE, CPM-8 CUTTER (INCLUDES ITEMS 2 THRU 6)	1
2	65051	DRUM ONLY , CUTTER	1
3	65054	RETAINING PLATE, CUTTER SHAFT	2
4	10801	WASHER, LOCK 5/16	6
5	10053	SCREW, CAP 5/16-18 x 3/4	6
6	20150	CP407 CUTTER SHAFT FOR CPM-8, 8-9/16"L	6
7	12230	CG227 SPACER, 1/2" ID	*
8	*	CUTTER WHEELS	*
	20156	CP206T, 6 POINT TUNGSTEN CARBIDE, (SHOWN) 1-3/4"OD x 5/8"ID x 1/4"THK	
	20256	CP205T, 5 POINT TUNGSTEN CARBIDE , 1-3/4" OD x 5/8" ID x 1/4" THK.	
	20206	CP305, 12 TOOTH FLAT TIP HI CARBON STEEL, 2"OD x 5/8"ID x 3/16"THK	
	12206	JRS501-P, 18 TOOTH POINTED HI CARBON STEEL, 2"OD x 17/32"ID x 3/16"THK	

***NOTE:**
 CUTTER WHEELS AND SPACERS ARE NOT INCLUDED WITH DRUM ASSEMBLY.
 THE NUMBER OF CUTTER WHEELS AND SPACERS VARY WITH TYPE OF SET-UP USED.
 REFER TO ASSEMBLY INSTRUCTIONS FOR SUGGESTED SET-UPS AND QUANTITIES.



ILLUSTRATION 6: DIAMOND GROOVING HEAD ASSEMBLY

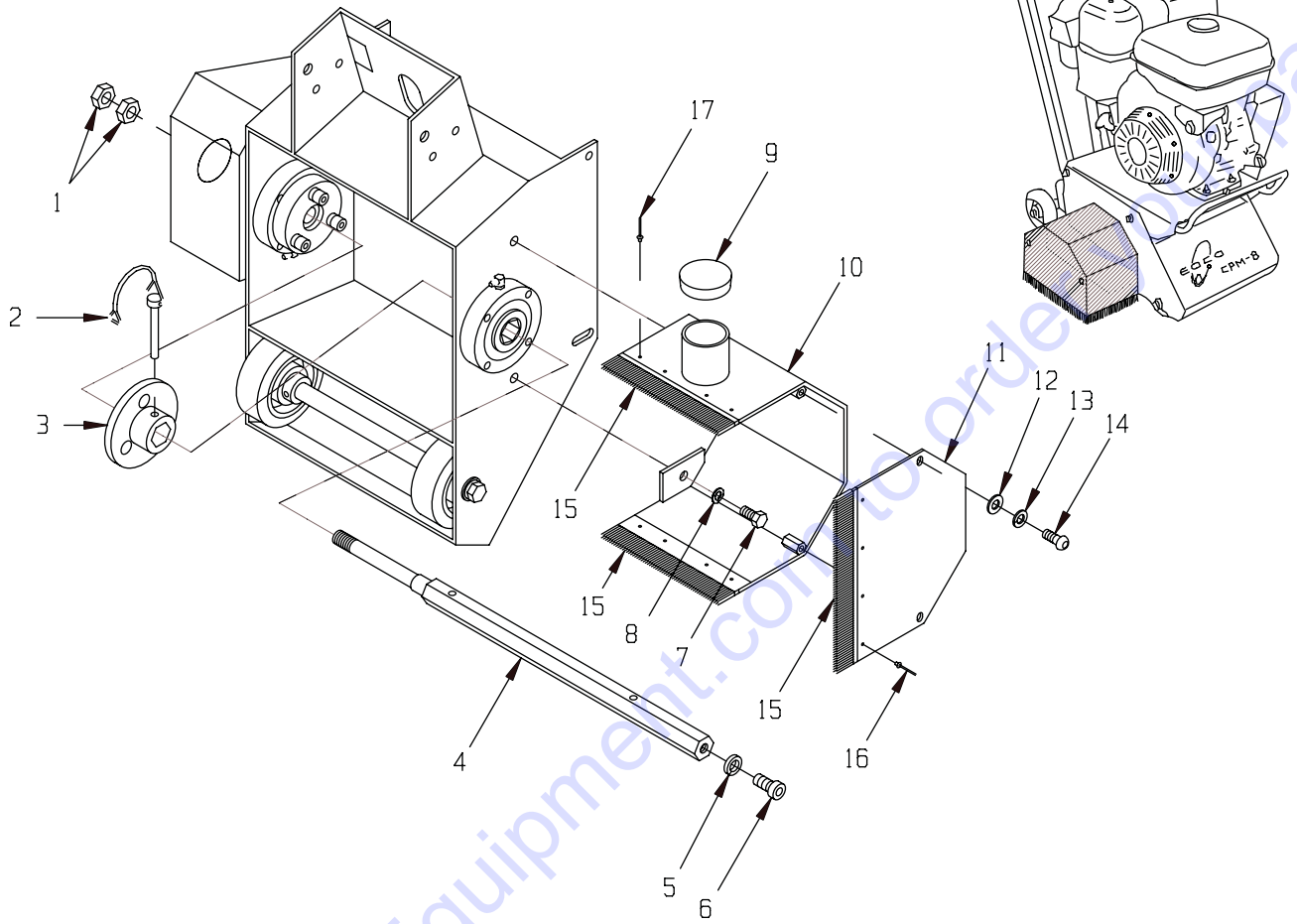
OPTIONAL 7" WIDTH



ITEM#	PART#	DESCRIPTION	QTY.
1	65077	DIAMOND GROOVING HEAD ASSEMBLY (INCLUDES ITEMS 2 THRU 5)	
2	65070	ARBOR, DIAMOND GROOVING HEAD	1
3	65071	ARBOR, BLADE RETAINING CAP 6"	1
4	65075	WASHER, LOCK, INT. TOOTH 1-1/4"	1
5	65076	NUT, JAM 1 1/4-12	1
6		SPACER, BLADE	*
	65072	6"O.D.x1-1/4" I.D.x.063" THK.	
	65073	6"O.D.x1-1/4" I.D.x.43" THK. (1/2" SPACING)	
	65074	6"O.D.x1-1/4" I.D.x.93" THK. (1" SPACING)	
	65078	6"O.D.x1-1/4" I.D.x5/8" THK.	
7	39808	DIAMOND BLADE 7x.090x1.25" w/ KEYWAY	*
<p>*NOTE: DIAMOND BLADES AND SPACERS ARE NOT INCLUDED WITH HEAD ASSEMBLY. THESE QUANTITIES VARY WITH THE TYPE OF SET-UP USED.</p>			

ILLUSTRATION 7: OPTIONAL EDGER ASSEMBLY

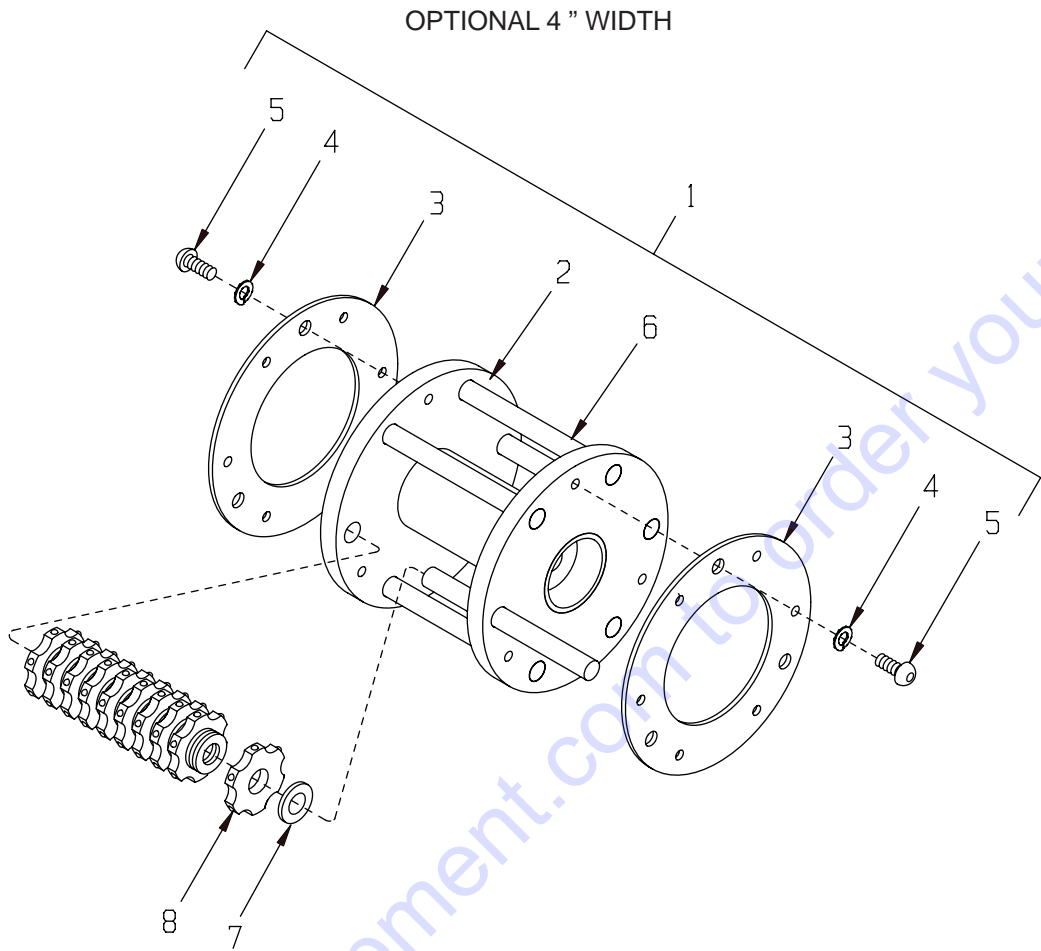
PART NO. 65027



ITEM#	PART#	DESCRIPTION	QTY.
1	65039	NUT, JAM 5/8-11 LEFT-HAND THREAD	2
2	65028	PIN, WIRE LOCK 5/16x2-3/4	1
3	65026	FLANGE, DRIVER	1
4	65025	DRUM SHAFT, EDGER	1
5	10420	WASHER, LOCK 1/2 HEAVY-DUTY	1
6	10490	SCREW, SKT. HD. CAP 1/2-13x1	1
7	10907	SCREW, CAP 3/8-16x3/4	2
8	10811	WASHER, LOCK 3/8	2
9	65021	PLUG, CAP 2" TUBE	1
10	65023	COVER w/ BRUSHES	1
11	65024	COVER SIDE PANEL w/ BRUSH	1
12	10213	WASHER, FLAT 5/16	2
13	10801	WASHER, LOCK 5/16	2
14	10627	SCREW, SKT. BUTTON HEAD 5/16-18x3/4	2
15	65029	BRUSHES, EDGER, (SET OF 3, INCLUDED WITH ITEMS 10 & 11)	1
16	10128	RIVET, BLIND 1/8x.250"Lx.262" HD. DIA.	4
17	10134	RIVET, BLIND 3/16x.450"Lx.375" HD. DIA.	8



ILLUSTRATION 8: EDGER CUTTER DRUM ASSEMBLY



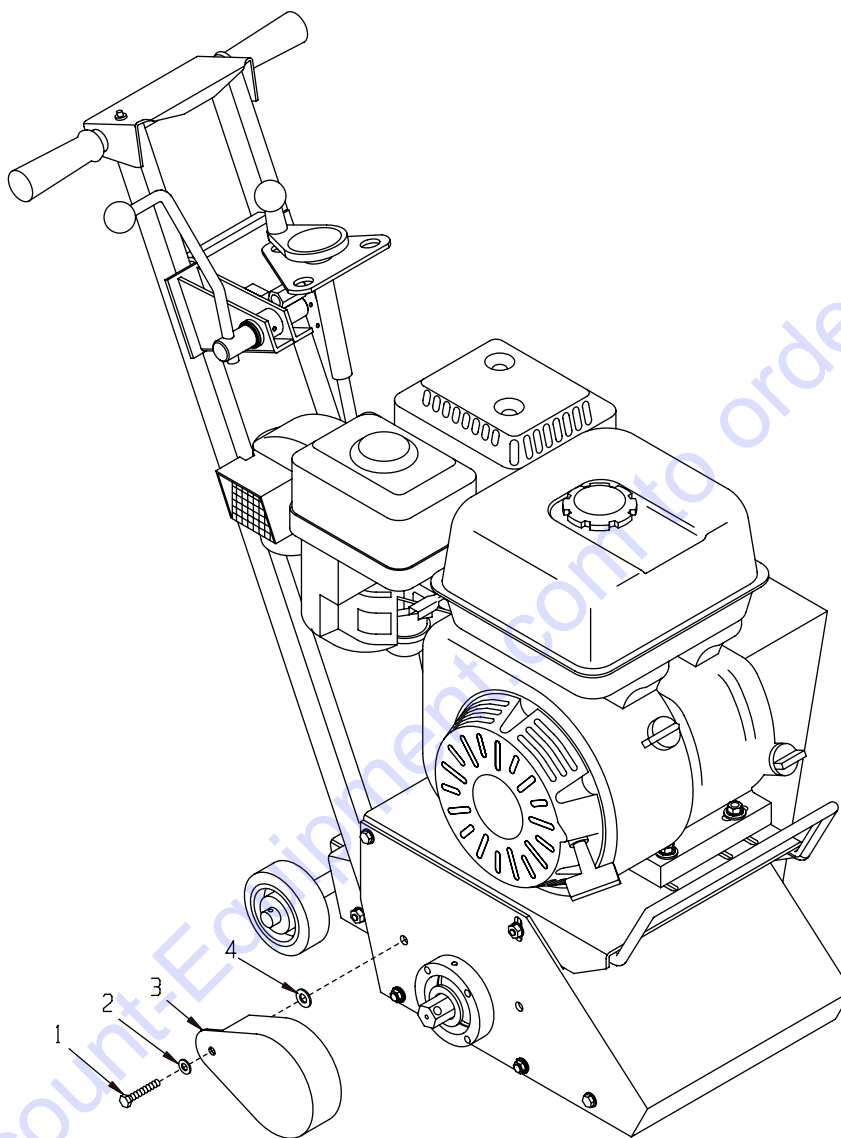
ITEM#	PART#	DESCRIPTION	QTY.
1	C66040	DRUM ASSEMBLY, COMPLETE, CPM-8 CUTTER (INCLUDES ITEMS 2 THRU 6)	1
2	C66041	DRUM ONLY , CUTTER, CPM-4	1
3	65054	RETAINING PLATE, CUTTER SHAFT	2
4	10801	WASHER, LOCK 5/16	6
5	10627	SCREW, SKT. BUTTON HEAD 5/16-18 x 3/4	6
6	C66043	CP410 SHAFT, 1/2 X 5-3/16"L	6
7	12230	CG227 SPACER, 1/2" ID	*
8	*	CUTTER WHEELS	*
	20156	CP206T CUTTER WHEEL, 1-3/4" CARBIDE (SHOWN) 1-3/4" OD x 5/8" ID x 1/4" THK.	
	20256	CP206T, 5 POINT TUNGSTEN CARBIDE, 1-3/4" OD x 5/8" ID x 1/4" THK.	
	20206	CP305 CUTTER WHEEL, FLAT TIP 2" OD x 5/8" ID x 3/16" THK.	
	12206	JRS501-P CUTTER WHEEL, POINTED 2" OD x 17/32" ID x 3/16" THK.	

*NOTE:
CUTTER WHEELS AND SPACERS ARE NOT INCLUDED WITH DRUM ASSEMBLY.
THE NUMBER OF CUTTER WHEELS AND SPACERS VARY WITH TYPE OF SET-UP USED.
REFER TO ASSEMBLY INSTRUCTIONS FOR SUGGESTED SET-UPS AND QUANTITIES.



ILLUSTRATION 9: OPTIONAL SHAFT COVER KIT

PART NO. 65097K

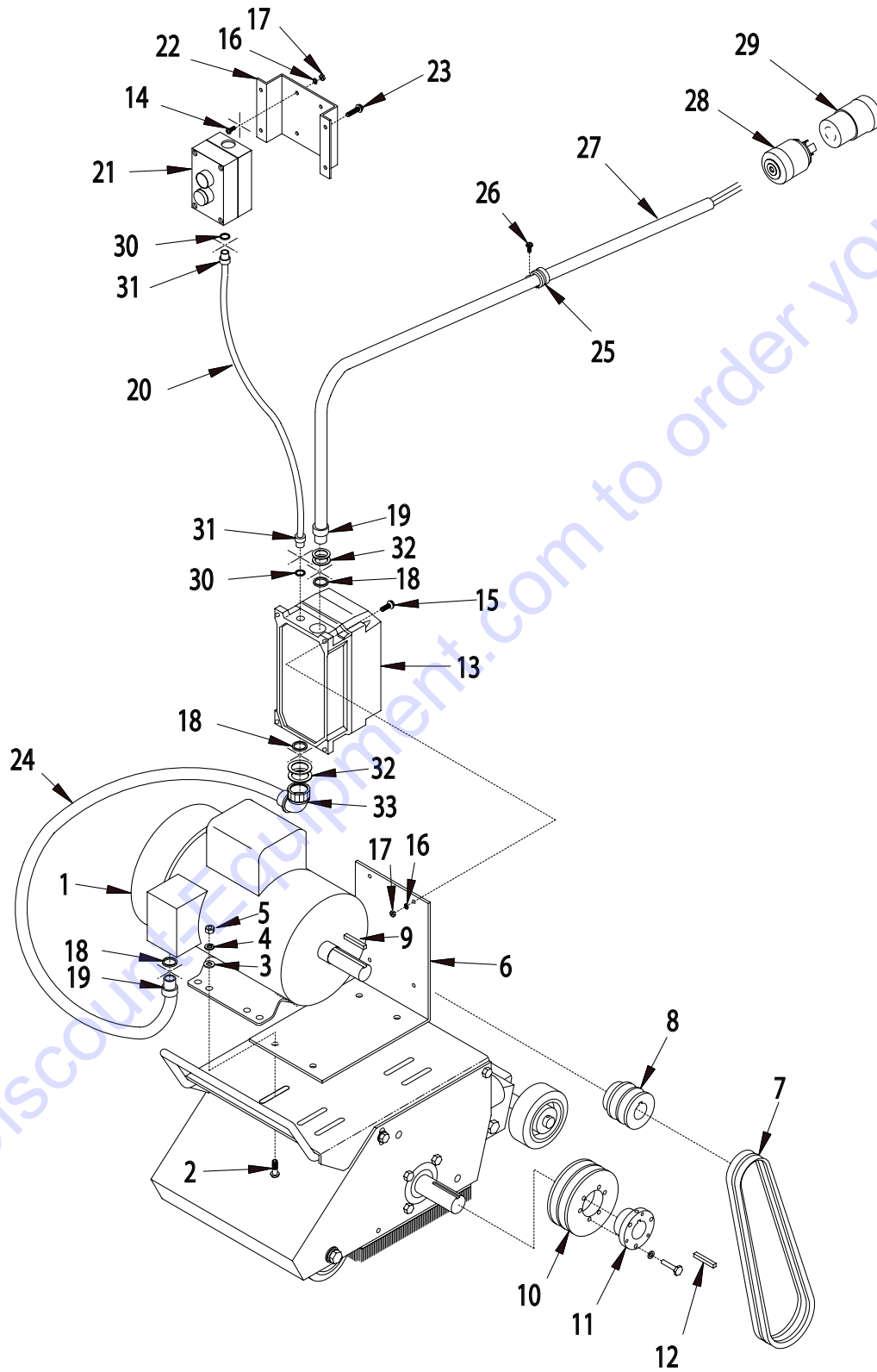


ITEM#	PART#	DESCRIPTION	QTY.
1	10410	BOLT, TAP 3/8-16 x 2-1/2 (FULL THD.)	1
2	10811	WASHER, LOCK 3/8	1
3	65097	COVER, SHAFT	1
4	10025	WASHER, FLAT 3/8	1



ILLUSTRATION 4: MOTOR & BELT DRIVE GROUPING

REVISED STARTING SERIAL # 060310462



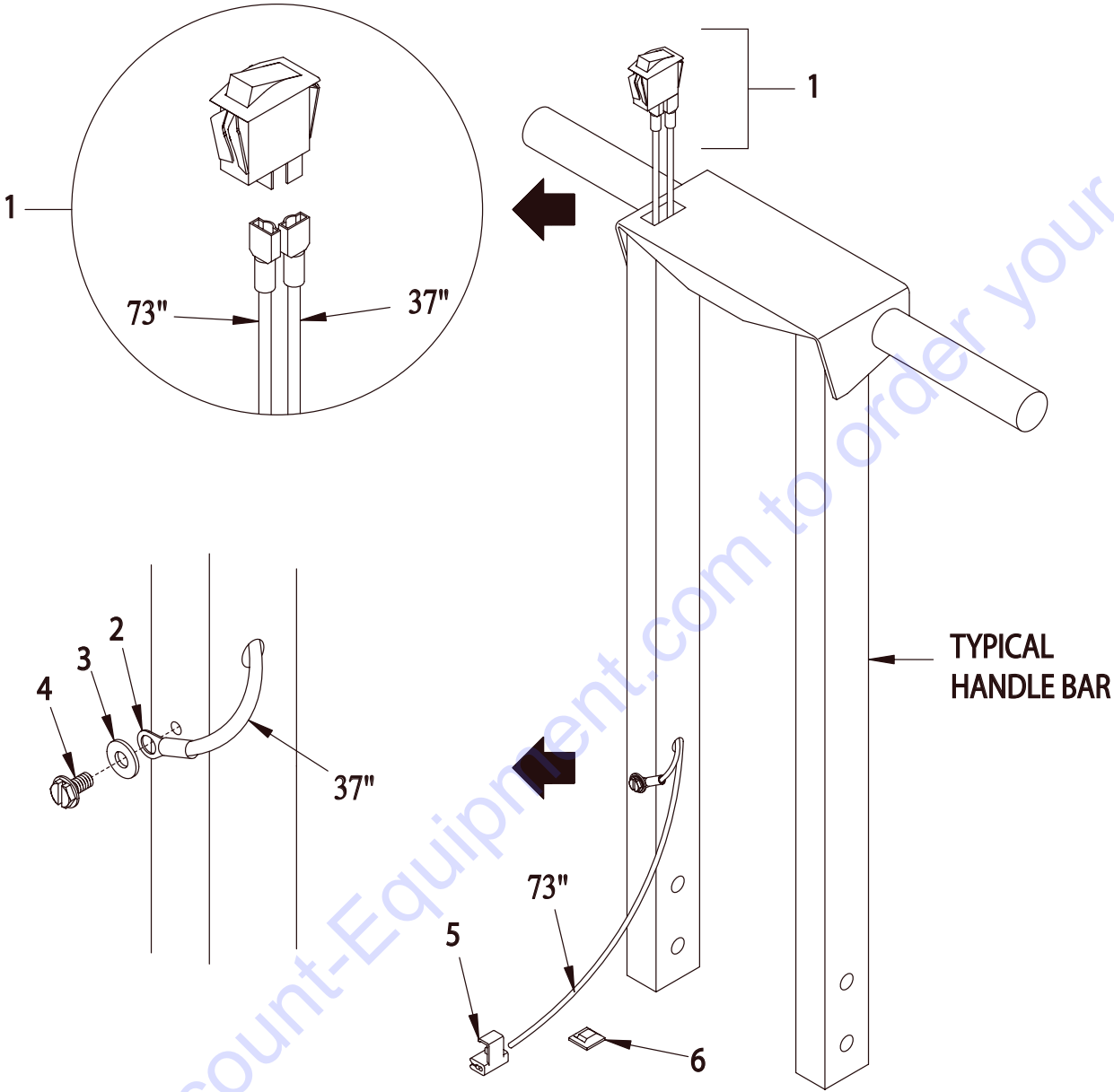
Go to DiscountedEquipment.com to order your parts



PARTS LISTING - ILLUSTRATION 4: MOTOR & BELT DRIVE GROUPING

ITEM#	PART#	DESCRIPTION	QTY.
1		MOTOR (REQUIRES HOLES DRILLED IN BASE FRAME)	1
	81026	BALDOR 5.0HP - 1PH, 60Hz, 3450 RPM, 230V	
	81022	BALDOR 5.0HP - 3PH, 60 Hz, 3450 RPM, 230/460V	
	16020	BALDOR 5.0HP - 3PH, 50 Hz, 2850 RPM, 220/380/440V	
2	10819	BOLT, CARRIAGE 5/16-18 x 1	4
3	10213	WASHER, FLAT 5/16-18	4
4	10801	WASHER, LOCK 5/16-18	4
5	10054	NUT 5/16-18	4
6	65087	STARTER MOUNT	1
7	10239	BELT AP-32	2
8		SHEAVE	1
	10555	2.5 OD x 2 Gr.A x 1-1/8 BORE (60 Hz MOTOR)	
	10526	3.00 OD x 2Gr.A x 1-1/8 BORE (50 Hz MOTOR)	
9	10101	KEY 1/4" SQ. x 1-3/4 (INCL. w/ MOTOR)	1
10	65045	SHEAVE 4.05 OD x 2 Gr.A x SH	1
11	10505	BUSHING, SHEAVE SH x 1-1/4 BORE	1
12	40317	KEY 1/4 SQ. x 1-5/8	1
13		LOVATO STARTER w/ BLUE RESET BUTTON SPECIFY VOLTAGE FOR 50 Hz	1
	16454	1 PHASE 230V 60 Hz, 11-M1-BRF-R30-26-23060	
	16457	3 PHASE 230V 60 Hz, 11-M1-BRF-R23-15-23060	
	16458	3 PHASE 460V 60 Hz, 11-M1-BRF-R14-10-46060	
14	11663	SCREW, MACHINE 8-32 x 1/2	4
15	10362	SCREW, MACHINE 8-32 x 3/4	4
16	10461	WASHER, INT. TOOTH #8	8
17	10462	NUT 8-32	8
18	10740	CONDUIT, LOCK NUT 3/4 NP	3
19	10605	STRAIN RELIEF 3/4 NPT x .650-.750	2
20	65106	WIRE HARNESS 16/4 x 36" LOA STARTER TO SWITCH	1
21	16456	REMOTE SWITCH BOX COMPLETE	1
	16456-1	ENCLOSURE, LOVATO 2-BUTTON	1
	16456-2	ENCLOSURE BUTTON, GREEN FLUSH START	1
	16456-3	ENCLOSURE BUTTON, RED EXTENDED STOP	1
	16456-4	ENCLOSURE CONTACT, START GREEN N.O.	1
	16456-5	ENCLOSURE CONTACT, STOP RED N.C.	1
22	65088	REMOTE SWITCH BRACKET	1
23	10846	SCREW, CAP STSHW 1/4-20 X 1/2	4
24		WIRE HARNESS, STARTER TO MOTOR	1
	65107	10/3 x 28" LOA (1 PHASE)	
	65108	10/4 x 28" LOA (3 PHASE)	
25	11565	CLAMP, LOOM 5/8 (SAE SIZE 10)	1
26	10877	SCREW, CAP STSHW 10-24 x 1/2	1
27		WIRE HARNESS, STARTER TO POWER SOURCE	1
	65104	10/3 x 48" LOA (1 PHASE)	
	65105	10/4 x 48" LOA (3 PHASE)	
28	40037	PLUG, LOCKING 20A/250V (1 PHASE ONLY)	1
29	40000	CONNECTOR, LOCKING 20A/250V (1 PHASE ONLY)	1
30	10790	CONDUIT LOCK NUT 1/2 NP	2
31	40066	STRAIN RELIEF 1/2 NPT x .350 - .450	2
32	77081	WASHER, FLAT 1-1/2 x 1-1/16 x .06	4
33	10984	CONN., LIQUID TITE 90D X 3/4NPT	1

**NEW STYLE
ENGINE ON/OFF SWITCH ASSEMBLY**



ITEM#	PART#	DESCRIPTION	QTY.
1	15201A	SWITCH SUBASSY., ROCKER ON-OFF (AVAILABLE ONLY AS COMPLETE ASSY.)	1
2	50084	TERM., RING #10 16-14GA. INSULATED (CONNECT TO ITEM 4)	1
3	10831	WASHER, LOCK, INT. TOOTH #10	1
4	10877	SCREW, CAP STSHW 10-24 X 1/2	1
5	10970	CONN., WIRE QUICK-SPLICE 18-14 GA. (SPlice ITEM 5 WITH ENGINE STOP WIRE)	1
6	36042	CLIP, ADHESIVE BACK CORD 5/8x5/8	AS REQ'D.



PARTS FINDER

**Search Website
by Part Number**



**Search Manual
Library For Parts
Manual & Lookup Part
Numbers – Purchase
or Request Quote**

**Can't Find Part or
Manual? Request Help
by Manufacturer,
Model & Description**

Discount-Equipment.com is your online resource for quality parts & equipment.

Florida: **561-964-4949** Outside Florida TOLL FREE: **877-690-3101**

Need parts?

Click on this link: <http://www.discount-equipment.com/category/5443-parts/> and choose one of the options to help get the right parts and equipment you are looking for. Please have the machine model and serial number available in order to help us get you the correct parts. If you don't find the part on the website or on one of the online manuals, please fill out the request form and one of our experienced staff members will get back to you with a quote for the right part that your machine needs.

We sell worldwide for the brands: Genie, Terex, JLG, MultiQuip, Mikasa, Essick, Whiteman, Mayco, Toro Stone, Diamond Products, Generac Magnum, Airman, Haulotte, Barreto, Power Blanket, Nifty Lift, Atlas Copco, Chicago Pneumatic, Allmand, Miller Curber, Skyjack, Lull, Skytrak, Tsurumi, Husquvarna Target, Stow, Wacker, Sakai, Mi-T-M, Sullair, Basic, Dynapac, MBW, Weber, Bartell, Bennar Newman, Haulotte, Ditch Runner, Menegotti, Morrison, Contec, Buddy, Crown, Edco, Wyco, Bomag, Laymor, EZ Trench, Bil-Jax, F.S. Curtis, Gehl Pavers, Heli, Honda, ICS/PowerGrit, IHI, Partner, Imer, Clipper, MMD, Koshin, Rice, CH&E, General Equipment, Amida, Coleman, NAC, Gradall, Square Shooter, Kent, Stanley, Tamco, Toku, Hatz, Kohler, Robin, Wisconsin, Northrock, Oztec, Toker TK, Rol-Air, APT, Wylie, Ingersoll Rand / Doosan, Innovatech, Con X, Ammann, Mecalac, Makinex, Smith Surface Prep, Small Line, Wanco, Yanmar