

REVISED STARTING
SERIAL # 120110074



PARTS LIST MANUAL

MODEL CPM8



GASOLINE MODEL



ELECTRIC MODEL

8" WALK BEHIND SCARIFIERS

| SKU # | MODEL # | POWER OPTION |
|--------------|------------------|---|
| 79300 | CPM8-9H | HONDA GASOLINE ENGINE MODEL GX270 |
| 79500 | CPM8-5B/230/1 | BALDOR ELECTRIC MOTOR 5HP 60Hz 1PH 230V |
| 79400-230 | CPM8-5B/230/3 | BALDOR ELECTRIC MOTOR 5HP 60Hz 3PH 230V |
| 79400-460 | CPM8-5B/460/3 | BALDOR ELECTRIC MOTOR 5HP 60Hz 3PH 460V |
| 79400-50/220 | CPM8-5B/50/220/3 | BALDOR ELECTRIC MOTOR 5HP 50Hz 3PH 220V |
| 79400-50/380 | CPM8-5B/50/380/3 | BALDOR ELECTRIC MOTOR 5HP 50Hz 3PH 380V |
| 79400-50/440 | CPM8-5B/50/440/3 | BALDOR ELECTRIC MOTOR 5HP 50Hz 3PH 440V |



A Division of Equipment Development Company, Inc.

Printed in USA

JWA ©2012

PARTS FINDER

**Search Website
by Part Number**



**Search Manual
Library For Parts
Manual & Lookup Part
Numbers – Purchase
or Request Quote**

Search Manuals

Enter your information to help us find the right parts manual for your machine.

* Brand:

* Model:

* Serial:

* Part Number:

SEARCH

**Can't Find Part or
Manual? Request Help
by Manufacturer,
Model & Description**

Parts Order Form

Please fill in the following information to help us find the right part for your machine.

| | |
|---------------|----------------------|
| Manufacturer: | <input type="text"/> |
| Model: | <input type="text"/> |
| Description: | <input type="text"/> |
| Part Number: | <input type="text"/> |
| Quantity: | <input type="text"/> |
| Notes: | <input type="text"/> |

Submit

Discount-Equipment.com is your online resource for quality parts & equipment.

Florida: **561-964-4949** Outside Florida TOLL FREE: **877-690-3101**

Need parts?

Click on this link: <http://www.discount-equipment.com/category/5443-parts/> and choose one of the options to help get the right parts and equipment you are looking for. Please have the machine model and serial number available in order to help us get you the correct parts. If you don't find the part on the website or on one of the online manuals, please fill out the request form and one of our experienced staff members will get back to you with a quote for the right part that your machine needs.

We sell worldwide for the brands: Genie, Terex, JLG, MultiQuip, Mikasa, Essick, Whiteman, Mayco, Toro Stone, Diamond Products, Generac Magnum, Airman, Haulotte, Barreto, Power Blanket, Nifty Lift, Atlas Copco, Chicago Pneumatic, Allmand, Miller Curber, Skyjack, Lull, Skytrak, Tsurumi, Husquvarna Target, Stow, Wacker, Sakai, Mi-T-M, Sullair, Basic, Dynapac, MBW, Weber, Bartell, Bennar Newman, Haulotte, Ditch Runner, Menegotti, Morrison, Contec, Buddy, Crown, Edco, Wyco, Bomag, Laymor, EZ Trench, Bil-Jax, F.S. Curtis, Gehl Pavers, Heli, Honda, ICS/PowerGrit, IHI, Partner, Imer, Clipper, MMD, Koshin, Rice, CH&E, General Equipment, Amida, Coleman, NAC, Gradall, Square Shooter, Kent, Stanley, Tamco, Toku, Hatz, Kohler, Robin, Wisconsin, Northrock, Oztec, Toker TK, Rol-Air, APT, Wylie, Ingersoll Rand / Doosan, Innovatech, Con X, Ammann, Mecalac, Makinex, Smith Surface Prep, Small Line, Wanco, Yanmar

READ AND UNDERSTAND THE OPERATORS INSTRUCTION MANUAL THOROUGHLY BEFORE ATTEMPTING TO OPERATE THIS EQUIPMENT.



Death or serious injury could occur if this machine is used improperly.



SAFETY MESSAGES

- Safety Instructions are preceded by a graphic alert symbol of DANGER, WARNING, or CAUTION.

DANGER

Indicates an imminent hazard which, if not avoided, will result in death or serious injury.

WARNING

Indicates an imminent hazard which, if not avoided, can result in death or serious injury.

CAUTION

Indicates hazards which, if not avoided, could result in serious injury and or damage to the equipment.

GASOLINE/PROPANE POWERED EQUIPMENT

WARNING

- Engine exhaust from this product contains chemicals known to the State of California to cause cancer, birth defects or other reproductive harm.



- Gasoline is extremely flammable and poisonous. It should only be dispensed in well ventilated areas, and with a cool engine.

- Small gasoline engines produce high concentrations of carbon monoxide (CO) example: a 5 HP 4 cycle engine operation in an enclosed 100,000 cu. ft. area with only one change of air per hour is capable of providing deadly concentrations of CO in less than fifteen minutes. Five changes of air in the same area will produce noxious fumes in less than 30 minutes. Gasoline or propane powered equipment should not be used in enclosed or partially enclosed areas. Symptoms of CO poisoning include, headache, nausea, weakness, dizziness, visual problems and loss of consciousness. If symptoms occur - get into fresh air and seek medical attention immediately.

ELECTRICAL POWERED EQUIPMENT



Extreme care must be taken when operating electric models with water present. Ensure power cord is properly grounded, is attached to a Ground-Fault-Interrupter (GFI) outlet, and is undamaged.

- Check all electrical cables - be sure connections are tight and cable is continuous and in good condition. Be sure cable is correctly rated for both the operating current and voltage of this equipment.
- Improper connection of the equipment-grounding conductor can result in a risk of electric shock. Check with qualified electrician or service person if there is any doubt as to whether the outlet is properly grounded. Adhere to **all** local codes and ordinances.
- **NOTE:** In the event of a malfunction or breakdown, grounding provides a path of least resistance for the electric current to dissipate. The motor is equipped with a grounded plug and must be connected to an outlet that is properly installed and properly grounded. **DO NOT** modify the plug provided on the motor. If the plug does not fit the outlet have a qualified electrician install the proper receptacle.
- Switch motor OFF **before** disconnecting power.

- Do not disconnect power by pulling cord. To disconnect, grasp the plug, not the cord.
- Unplug power cord at the machine when not in use and before servicing.

GENERAL INSTRUCTIONS


- Equipment should only be operated by trained personnel in good physical condition and mental health (not fatigued). The operator and maintenance personnel must be physically able to handle the bulk weight and power of this equipment.
- This is a one person tool. Maintain a safe operating distance to other personnel. It is the **operators' responsibility** to keep other people (workers, pedestrians, bystanders, etc.) away during operation. Block off the work area in all directions with roping, safety netting, etc. for a safe distance. Failure to do so may result in others being injured by flying debris or exposing them to harmful dust and noise.
- This equipment is intended for commercial use only.
- For the operator's safety and the safety of others, always keep all guards in place during operation.
- Never let equipment run unattended.



- Personal Protection Equipment and proper safety attire must be worn when operating this machinery. The operator must wear approved safety equipment appropriate for the job such as hard hat and safety shoes when conditions require. Hearing protection **MUST** be used (operational noise levels of this equipment may exceed 85db). Eye protection **MUST** be worn at all times.



- Keep body parts and loose clothing away from moving parts. Failure to do so could result in dismemberment or death.

- Do not modify the machine.
 - Stop motor/engine when adjusting or servicing this equipment.
-  Maintain a safe operating distance from flammable materials. Sparks from the cutting-action of this machine can ignite flammable materials or vapors.

DUST WARNING

WARNING

Some dust created by power sanding, sawing, grinding, drilling, and other construction activities contains chemicals known to cause cancer, birth defects, or other reproductive harm. Some examples of these chemicals are:

- Lead from lead-based paints, and
- Crystalline silica from bricks and concrete and other masonry products.

Your risk of exposure to these chemicals varies depending on how often you do this type of work. To reduce your risk: work in a well ventilated area, use a dust control system, such as an industrial-style vacuum, and wear approved personal safety equipment, such as a dust/particle respirator designed to filter out microscopic particles.

PARTS LIST MANUAL

MODEL CPM8

8" WALK BEHIND SCARIFIER

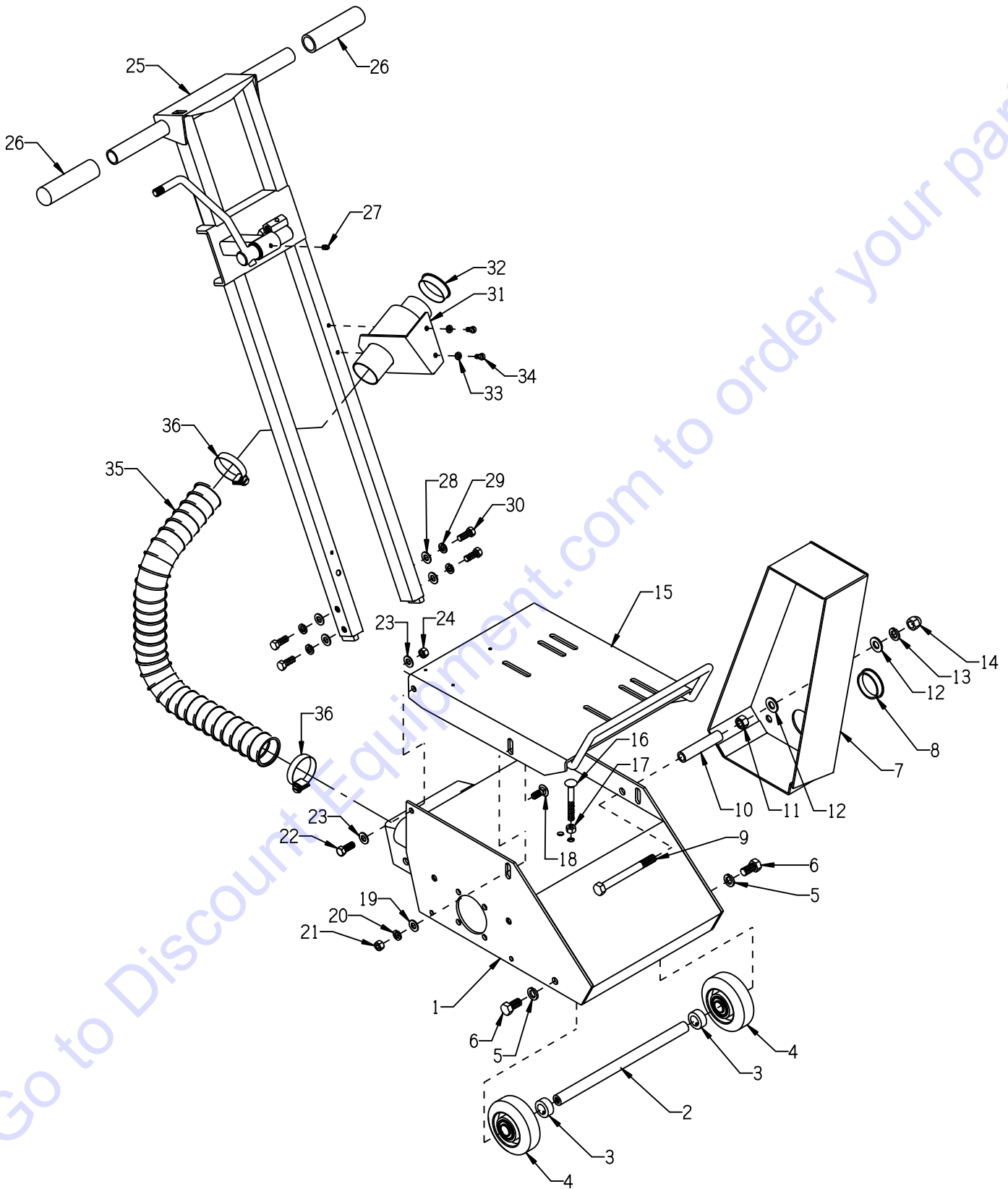
TABLE OF CONTENTS

| <u>Section</u> | <u>Page Number</u> |
|--|---------------------------|
| Safety Messages and General Instructions | 2 |
| How To Order Replacement Parts | 3 |
| Illustration 1: Main Grouping | 4, 5 |
| Illustration 2: Rear Fork & Control Linkage Grouping | 6, 7 |
| Illustration 3: Water System Kit (Optional) | 8 |
| Illustration 4: Brush Seal Grouping | 9 |
| Illustration 5: Drum, Shaft & Bearing Grouping | 10, 11 |
| Illustration 6: Cutter Drum Assembly (Standard - 8" Width) | 12 |
| Illustration 7: Diamond Grooving Head Assembly (Optional - 7" Width) | 13 |
| Illustration 8: Edger Assembly | 14 |
| Illustration 9: Edger Cutter Drum Assembly (Optional - 4" Width) | 15 |
| Illustration 10: Engine Grouping | 16, 17 |
| Illustration 11: Single Phase Motor Grouping | 18, 19 |
| Illustration 12: Three Phase Motor Grouping | 20, 21 |
| Wiring Diagram for Rotary Switch | 22 |
| Wiring Diagram for 60Hz 1-Phase Motor | 23 |
| Wiring Diagram for Starter & Remote Switch | 24 |
| Wiring Diagram for 60Hz 3-Phase Motor | 25 |
| Wiring Diagram for 50Hz 3-Phase Motor | 26 |
| Notes | 27 |
| Limited Equipment Warranty of Sale - Terms & Conditions | 28 (Back Page) |



A Division of Equipment Development Company, Inc.

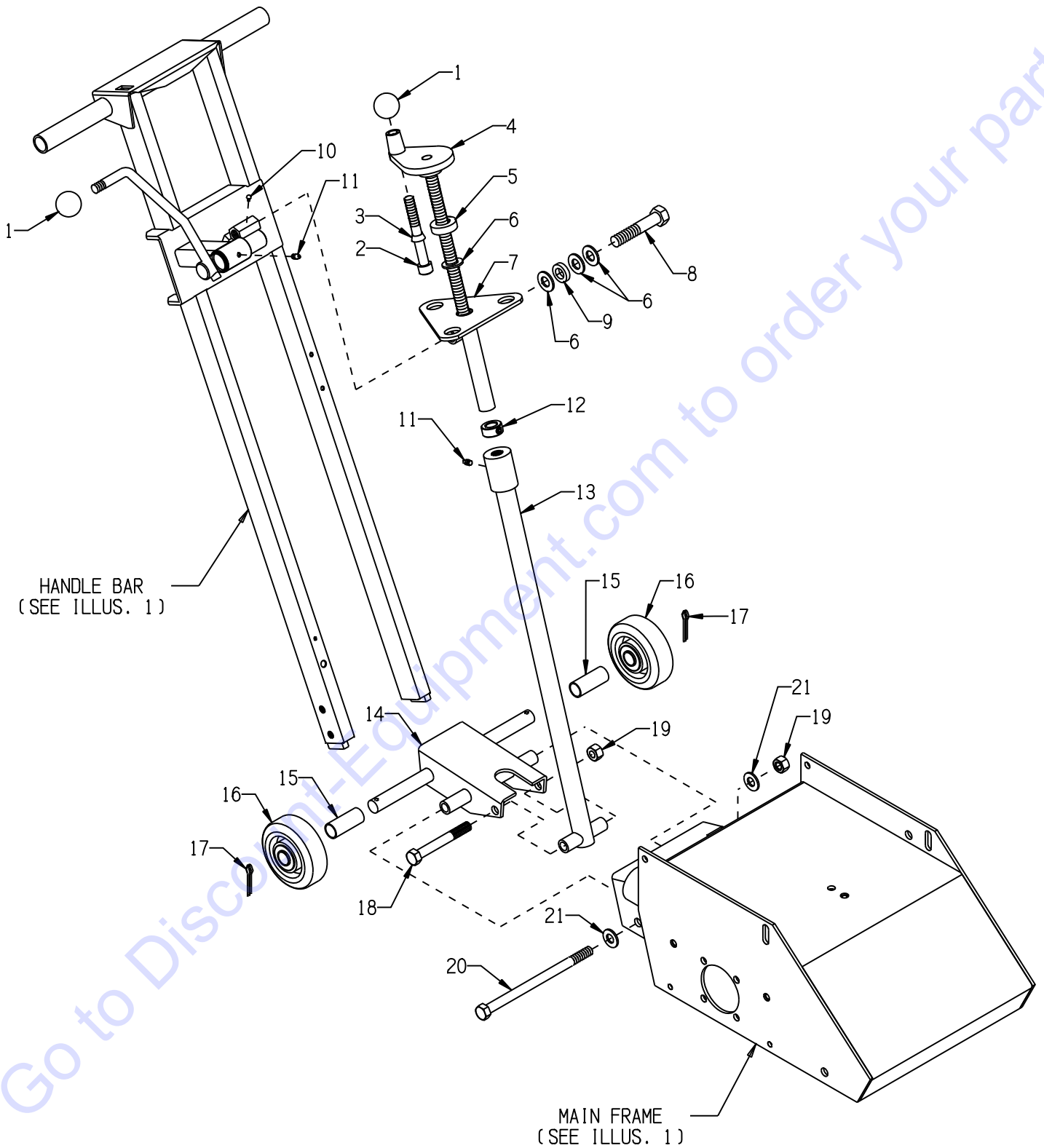
ILLUSTRATION 1 : MAIN GROUPING



Go to DiscountEquipment.com to order your parts

| PARTS LISTING - ILLUSTRATION 1: MAIN GROUPING | | | |
|---|--------|--|------|
| ITEM # | PART # | DESCRIPTION | QTY. |
| 1 | 65001 | MAIN FRAME, CPM-8 | 1 |
| 2 | 65014 | AXLE SHAFT 3/4"DIA. X 12-7/32"L | 1 |
| 3 | 10428 | COLLAR, LOCKING 3/4"ID | 2 |
| 4 | 52001 | WHEEL 4 X 1-1/2 X 3/4"BRG. | 2 |
| 5 | 10045 | WASHER, LOCK 1/2 ZINC | 2 |
| 6 | 10304 | SCREW, CAP 1/2-20 X 1 | 2 |
| 7 | 65003 | COVER, BELT, CPM-8 | 1 |
| 8 | 65022 | PLUG, HOLE 2" | 1 |
| 9 | 65125 | SCREW, CAP 1/2-13 X 5-1/4 | 2 |
| 10 | 65016 | SPACER TUBE 1/2"ID X 3-9/16"L,CPM-8 | 2 |
| 11 | 10417 | NUT, HEX 1/2-13 ZINC | 2 |
| 12 | 10312 | WASHER, FLAT 1/2 SAE ZINC | 4 |
| 13 | 10045 | WASHER, LOCK 1/2 ZINC | 2 |
| 14 | 10865 | NUT, ACORN 1/2-13 | 2 |
| 15 | 65002 | MOUNT, ENGINE/MOTOR, CPM-8 | 1 |
| 16 | 10909 | BOLT, CARRIAGE 3/8-16 X 3 FULL THD. | 1 |
| 17 | 10404 | NUT, HEX 3/8-16 ZINC | 1 |
| 18 | 10802 | BOLT, CARRIAGE 3/8-16 X 1 FULL THD. | 2 |
| 19 | 10025 | WASHER, FLAT 3/8 SAE ZINC | 2 |
| 20 | 10811 | WASHER, LOCK 3/8 ZINC | 2 |
| 21 | 10404 | NUT, HEX 3/8-16 ZINC | 2 |
| 22 | 10021 | SCREW, CAP 3/8-24 X 1 | 2 |
| 23 | 10025 | WASHER, FLAT 3/8 SAE ZINC | 4 |
| 24 | 10004 | NUT, HEX LOCK 3/8-24 ZINC | 2 |
| 25 | 65009 | HANDLE BAR, CPM-8 | 1 |
| 26 | 10608 | GRIP, HAND .937 X 4.5 BLK VYNAFOAM | 2 |
| 27 | 10808 | FITTING, GREASE 1/4-28 STRAIGHT (SEE ILLUS. 2) | 1 |
| 28 | 10025 | WASHER, FLAT 3/8 SAE ZINC | 4 |
| 29 | 10811 | WASHER, LOCK 3/8 ZINC | 4 |
| 30 | 10055 | SCREW, CAP 3/8-16 X 1 | 4 |
| 31 | 86347 | BRACKET, MULTI-VAC PORT 2-3" | 1 |
| 32 | 65021 | CAP/PLUG 2" RED PLASTIC, FLANGED | 1 |
| 33 | 10038 | WASHER, LOCK 1/4 ZINC | 2 |
| 34 | 10846 | SCREW, CAP STSHW 1/4-20 X 1/2 | 2 |
| 35 | 65098 | HOSE, FLEX 2"ID X 22"L | 1 |
| 36 | 10766 | CLAMP, HOSE, SAE #32, ADJ. TO 2-1/2 | 2 |

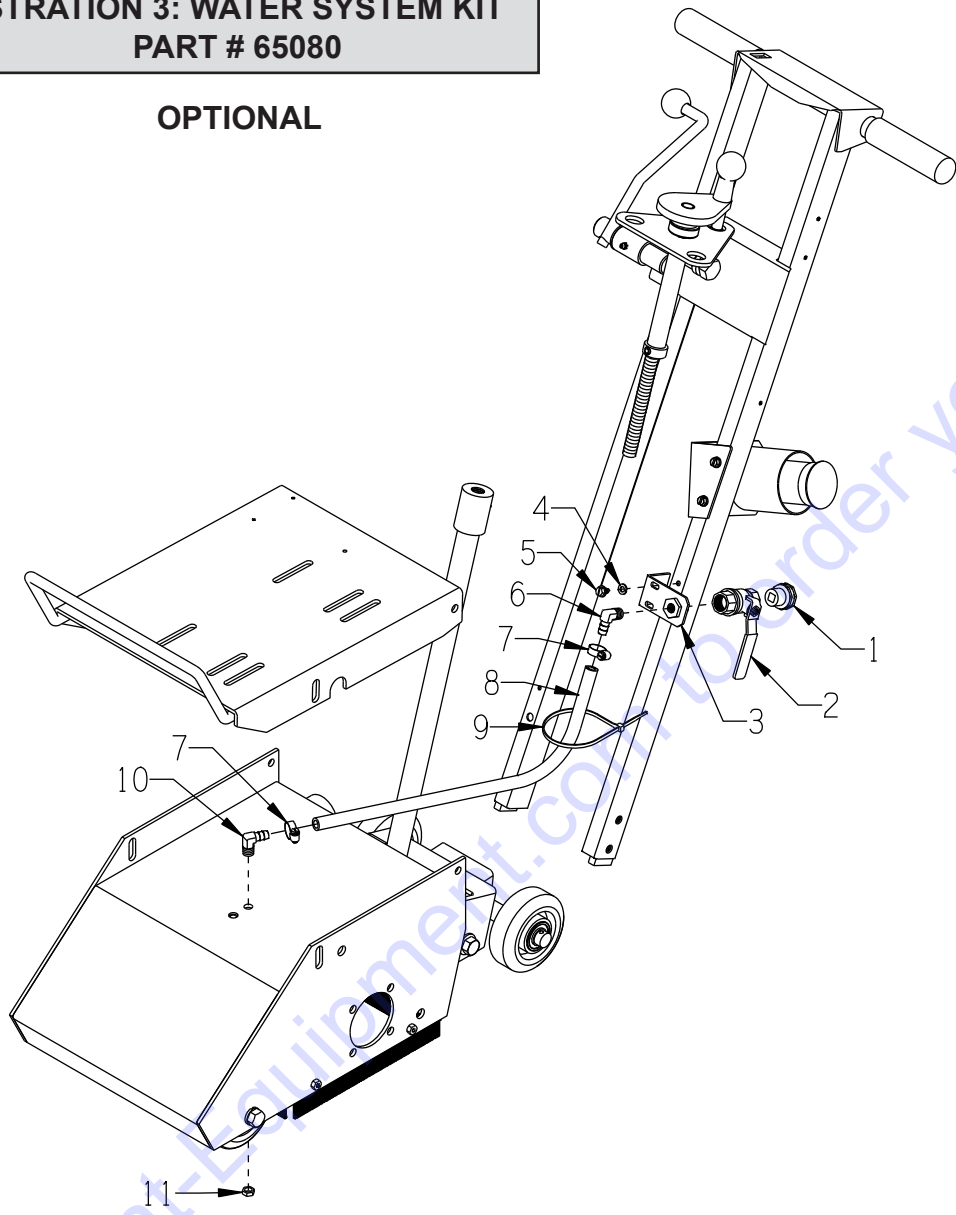
ILLUSTRATION 2: REAR FORK & CONTROL LINKAGE GROUPING



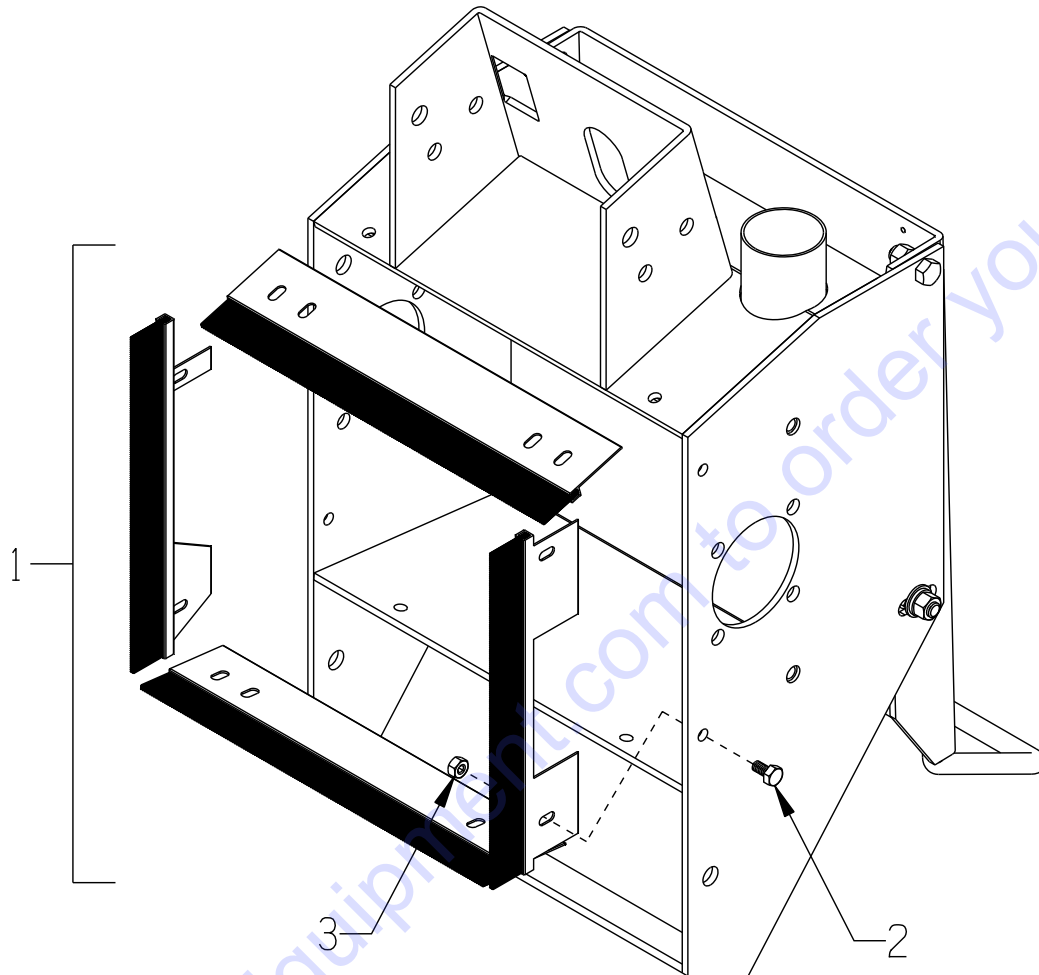
| PARTS LISTING - ILLUSTRATION 2: REAR FORK & CONTROL LINKAGE GROUPING | | | |
|---|---------------|-------------------------------------|-------------|
| ITEM # | PART # | DESCRIPTION | QTY. |
| 1 | 14023 | KNOB, BALL 1-3/8 W/ 1/2-13THD, BLK. | 2 |
| 2 | 10411 | SCREW, SKT. HD. CAP 1/2-13 X 4 ZINC | 1 |
| 3 | 50550 | SLEEVE, BRASS 1/2" TAPERED | 1 |
| 4 | 65019 | HANDWHEEL, SMALL W/ 5/8-8 X 13"ROD | 1 |
| 5 | 85005 | BEARING, THRUST BALL 5/8 | 1 |
| 6 | 10073 | WASHER, FLAT 5/8 SAE ZINC | 4 |
| 7 | 65007 | LINKAGE SUPPORT, UPPER | 1 |
| 8 | 10359 | SCREW, CAP 5/8-11 X 3-1/4 | 1 |
| 9 | 79035 | BUSHING, RUBBER 1-1/16 X 5/8 X 1/4 | 1 |
| 10 | 10127 | SCREW, DRIVE 1/8 X 1/4"L | 1 |
| 11 | 10808 | FITTING, GREASE 1/4-28 STRAIGHT | 2 |
| 12 | 10096 | COLLAR, LOCKING 5/8"ID | 1 |
| 13 | 65006 | LINKAGE, LOWER, CPM-8 | 1 |
| 14 | 65004 | FORK, CPM-8 | 1 |
| 15 | 65005 | SPACER, REAR WHEEL, 2-1/8" | 2 |
| 16 | 52001 | WHEEL 4 X 1-1/2 X 3/4"BRG. ALUM/RUB | 2 |
| 17 | 10306 | PIN, COTTER 3/16 X 1-1/2 | 2 |
| 18 | 81001 | SCREW, CAP 1/2-13 X 4 | 1 |
| 19 | 10407 | NUT, HEX LOCK 1/2-13 ZINC | 2 |
| 20 | 65015 | SCREW, CAP 1/2-13 X 8 ZINC | 1 |
| 21 | 10312 | WASHER, FLAT 1/2 SAE ZINC | 2 |

**ILLUSTRATION 3: WATER SYSTEM KIT
PART # 65080**

OPTIONAL

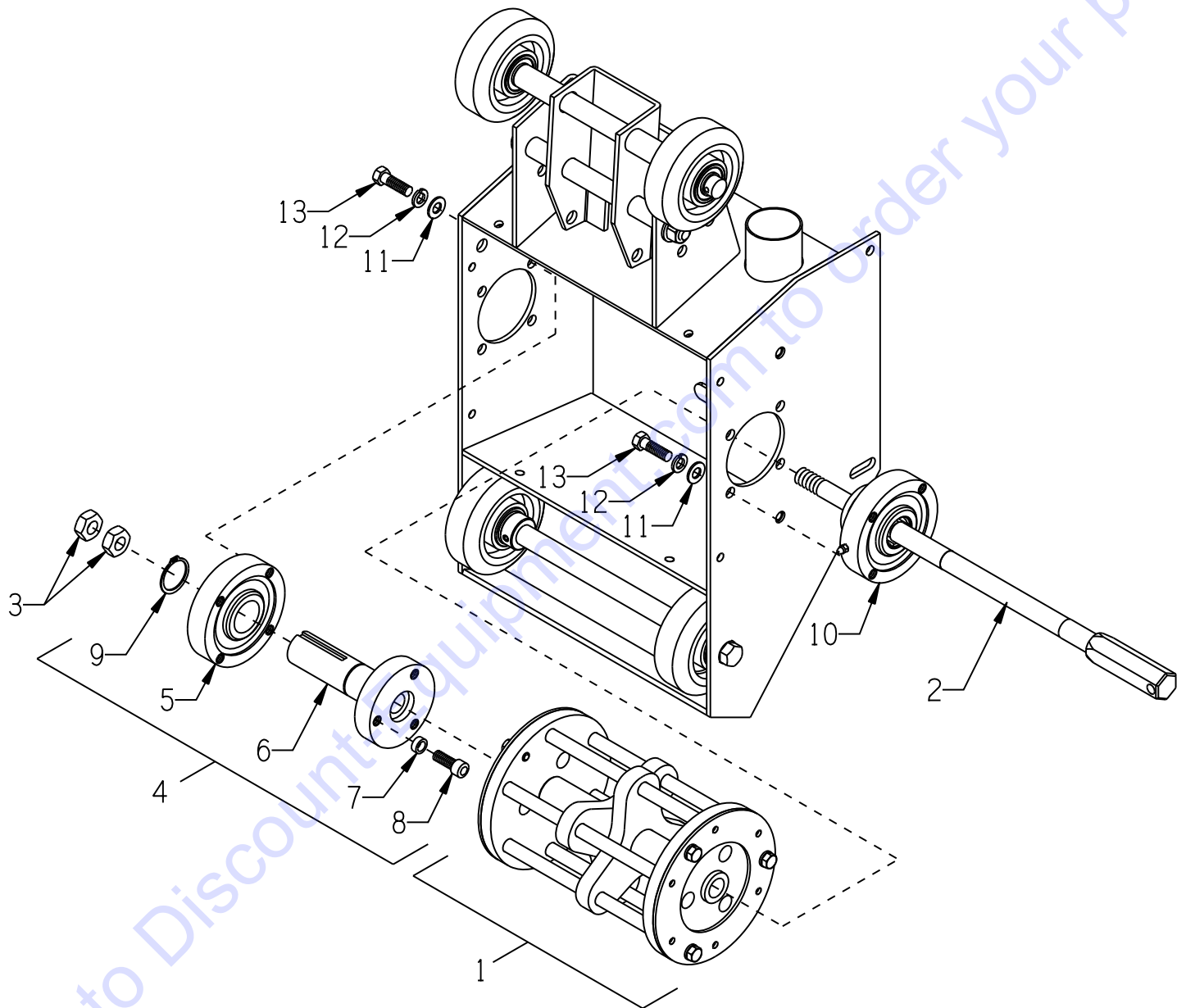


| ITEM # | PART # | DESCRIPTION | QTY. |
|--------|--------|---|------|
| 1 | 80021 | CONN., SWIVEL FEM. 3/4HOSE X 1/2MPT | 1 |
| 2 | 10711 | VALVE, BALL 1/2 FPT | 1 |
| 3 | 56022 | BRACKET, WATER VALVE | 1 |
| 4 | 10038 | WASHER, LOCK 1/4 ZINC | 2 |
| 5 | 10846 | SCREW, CAP STSHW 1/4-20 X 1/2 | 2 |
| 6 | 10799 | BARB ELBOW 90, 3/8HOSE X 1/4MPT (BRASS) | 1 |
| 7 | 50069 | CLAMP, HOSE, SAE #6, ADJ. TO 13/16 | 2 |
| 8 | 65081 | HOSE, WATER 3/8"ID X 24"L | 1 |
| 9 | 10982 | TIE, CABLE, BLACK NYLON 11-1/4" | 1 |
| 10 | 11562 | BARB ELBOW 90, 3/8HOSE X 1/8MPT (BRASS) | 1 |
| 11 | 10864 | NUT 1/8-27 PIPE THREAD (BRASS) | 1 |

ILLUSTRATION 4: BRUSH SEAL GROUPING


| ITEM # | PART # | DESCRIPTION | QTY. |
|--------|--------|------------------------------|------|
| 1 | 65036 | BRUSHES (SET OF 4), CPM-8 | 1 |
| 2 | 10834 | SCREW, CAP 1/4-20 X 1/2 ZINC | 8 |
| 3 | 10861 | NUT, KEPS LOCK 1/4-20 ZINC | 8 |

ILLUSTRATION 5: DRUM, SHAFT & BEARING GROUPING

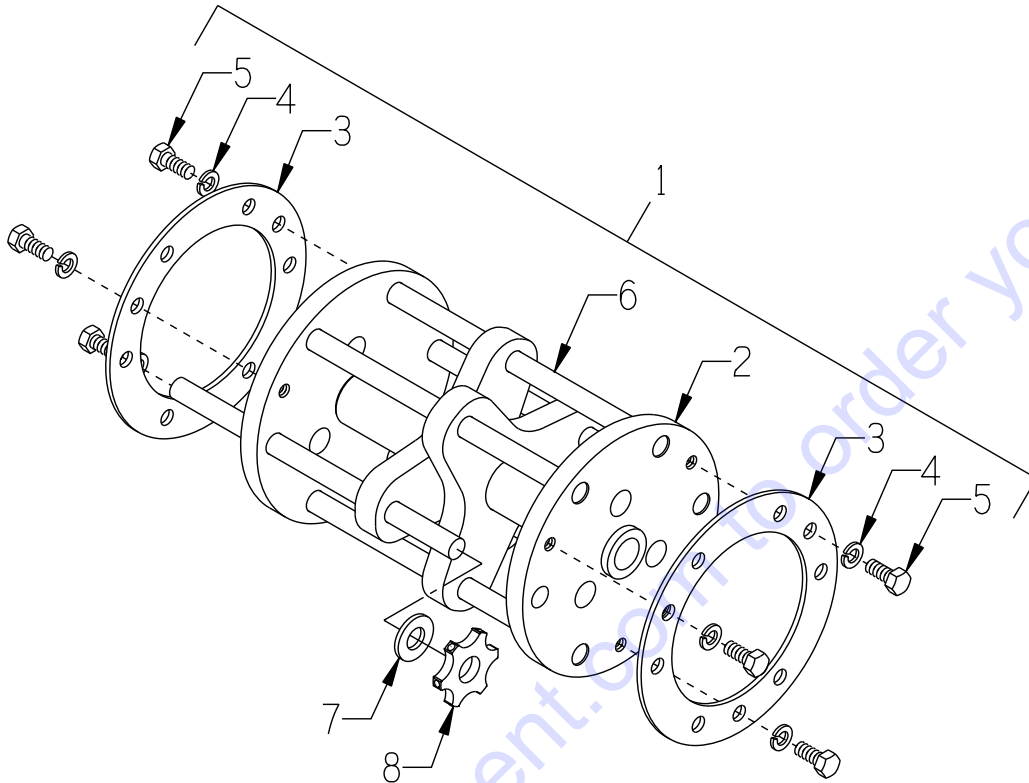


**PARTS LISTING - ILLUSTRATIONS 5:
DRUM, SHAFT & BEARING GROUPING**

| ITEM # | PART # | DESCRIPTION | QTY. |
|--------|--------|--|------|
| 1 | 65050 | DRUM ASSY. COMP. CPM-8 CUTTER (REFER TO ILLUS. 6 FOR BREAKDOWN) | 1 |
| 2 | 65037 | DRUM SHAFT 18-3/8"L, CPL/M-8 | 1 |
| 3 | 65039 | NUT, JAM 5/8-11 LEFT-HAND THREAD | 2 |
| 4 | 65038A | DRIVER W/ BEARING ASSY., CPM-8 (INCLUDES ITEMS 5 THRU 9) | 1 |
| 5 | 65056 | BEARING ASSY. COMPLETE, 1-1/4"DIA. | 1 |
| | 10961 | FITTING, GREASE 1/4-28 X 90° (INCLUDED) | 1 |
| 6 | 65038 | DRIVER, CPM-8 | 1 |
| 7 | 10113 | SPACER, STEEL 9/16OD X 3/8ID X 7/32 | 3 |
| 8 | 10878 | SCREW, SKT. HD. CAP 3/8-24 X 1 ZINC | 3 |
| 9 | 10873 | RETAINING RING, EXT. 1-1/4" | 1 |
| 10 | 65057 | BEARING ASSY. COMPLETE, 1"HEX BORE | 1 |
| | 10808 | FITTING, GREASE 1/4-28 STR. (INCLUDED) | 1 |
| 11 | 10025 | WASHER, FLAT 3/8 SAE ZINC | 8 |
| 12 | 10811 | WASHER, LOCK 3/8 ZINC | 8 |
| 13 | 10309 | SCREW, CAP 3/8-24 X 1-1/4 ZINC | 3 |

**ILLUSTRATION 6:
CUTTER DRUM ASSEMBLY**

STANDARD - 8" WIDTH

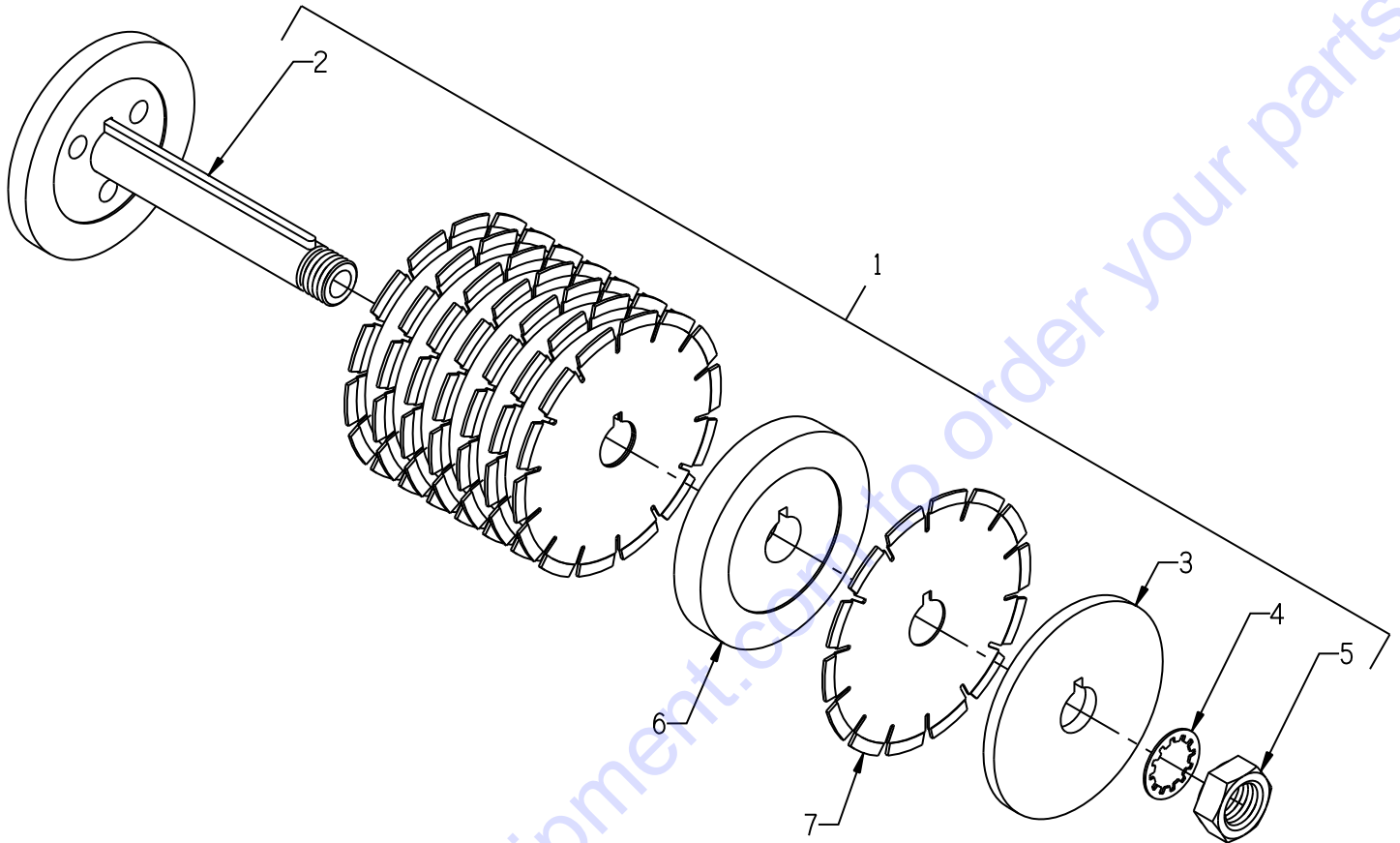


| ITEM # | PART # | DESCRIPTION | QTY. |
|--------|--------|--|----------|
| 1* | 65050 | DRUM ASSEMBLY COMPLETE, CPM-8 CUTTER (INCLUDES ITEMS 2 THRU 6) | 1 |
| 2 | 65051 | DRUM ONLY, CUTTER, CPM-8 | 1 |
| 3 | 65054 | RETAINING PLATE, CUTTER SHAFT | 2 |
| 4 | 10801 | WASHER, LOCK 5/16 ZINC | 6 |
| 5 | 10053 | SCREW, CAP 5/16-18 X 3/4 | 6 |
| 6 | 20150 | CP407 SHAFT 1/2 X 8-9/16"L | 6 |
| 7* | 12230 | CG227 SPACER 1/2"ID | SEE NOTE |
| 8* | 20156 | CUTTERS: CP206T 6-PT. CARBIDE 1-3/4"OD x 5/8"ID x 1/4"THK (SHOWN) | SEE NOTE |
| | 20336 | CP207T 7-PT. SOLID CARBIDE MILLING 1-1/2"OD x 1/2"ID x 1/2"THK | |
| | 12206 | JRS501P 18-PT. POINTED STEEL 2"OD x 1/2"ID x 3/16"THK | |
| | 20206 | CP305 12-PT. FLAT TIP STEEL 2"OD x 5/8"ID x 3/16"THK | |

*NOTE:
CUTTER WHEELS AND SPACERS ARE NOT INCLUDED WITH THE DRUM ASSEMBLY.
THE NUMBER OF CUTTER WHEELS AND SPACERS VARY WITH TYPE OF SET-UP USED.
REFER TO ASSEMBLY INSTRUCTIONS FOR SUGGESTED SET-UPS AND QUANTITIES.

**ILLUSTRATION 7:
DIAMOND GROOVING HEAD ASSEMBLY**

OPTIONAL - 7" WIDTH



| ITEM # | PART # | DESCRIPTION | QTY. |
|---|----------------------------------|---|-------------|
| 1 | 65077 | HEAD ASSY., DIAMOND GROOVING, CPM-8 (INCLUDES ITEM 2 THRU 5) | 1 |
| 2 | 65070 | ARBOR, DIAMOND GROOVING HEAD, CPM-8 | 1 |
| 3 | 65071 | ARBOR BLADE CAP 6", CPM-8 | 1 |
| 4 | 65075 | WASHER, LOCK, INT. TOOTH 1-1/4" | 1 |
| 5 | 65076 | NUT, JAM 1 1/4-12 | 1 |
| 6* | 65072 65073 65074 65078 | SPACER 6"OD X 1-1/4"ID X .063 (MINIMUM BLADE SPACING) 6"OD X 1-1/4"ID X .43 (1/2" C TO C BLADE SPACING) 6"OD X 1-1/4"ID X .93 (1" C TO C BLADE SPACING - SHOWN) 6"OD X 1-1/4"ID X 5/8 (11/16" C TO C BLADE SPACING) | SEE NOTE |
| 7* | 39808 39806 | DIAM. BLADE DCC05S 7X.090X1.25 W/ KW (3/32" THK. - SHOWN) DIAM. BLADE DCC05S 7X.250X1.25 W/ KW (1/4" THK.) | SEE NOTE |
| <p>*NOTE: DIAMOND BLADES AND SPACERS ARE NOT INCLUDED WITH THE HEAD ASSEMBLY. THESE QUANTITIES VARY WITH THE TYPE OF SET-UP USED. REFER TO SET-UP DRAWINGS FOR QUANTITIES.</p> | | | |

PARTS FINDER

**Search Website
by Part Number**



**Search Manual
Library For Parts
Manual & Lookup Part
Numbers – Purchase
or Request Quote**

Search Manuals

Enter your information to help us find the right parts manual for your machine.

* Brand:

* Model:

* Serial:

* Part Number:

SEARCH

**Can't Find Part or
Manual? Request Help
by Manufacturer,
Model & Description**

Parts Order Form

Please fill in the following information to help us find the right part for your machine.

MANUFACTURER:

MODEL:

DESCRIPTION:

DATE:

NAME:

PHONE:

EMAIL:

ADDRESS:

CITY:

STATE:

ZIP:

COUNTRY:

REQUEST FOR QUOTE:

ORDER PARTS:

SEARCH

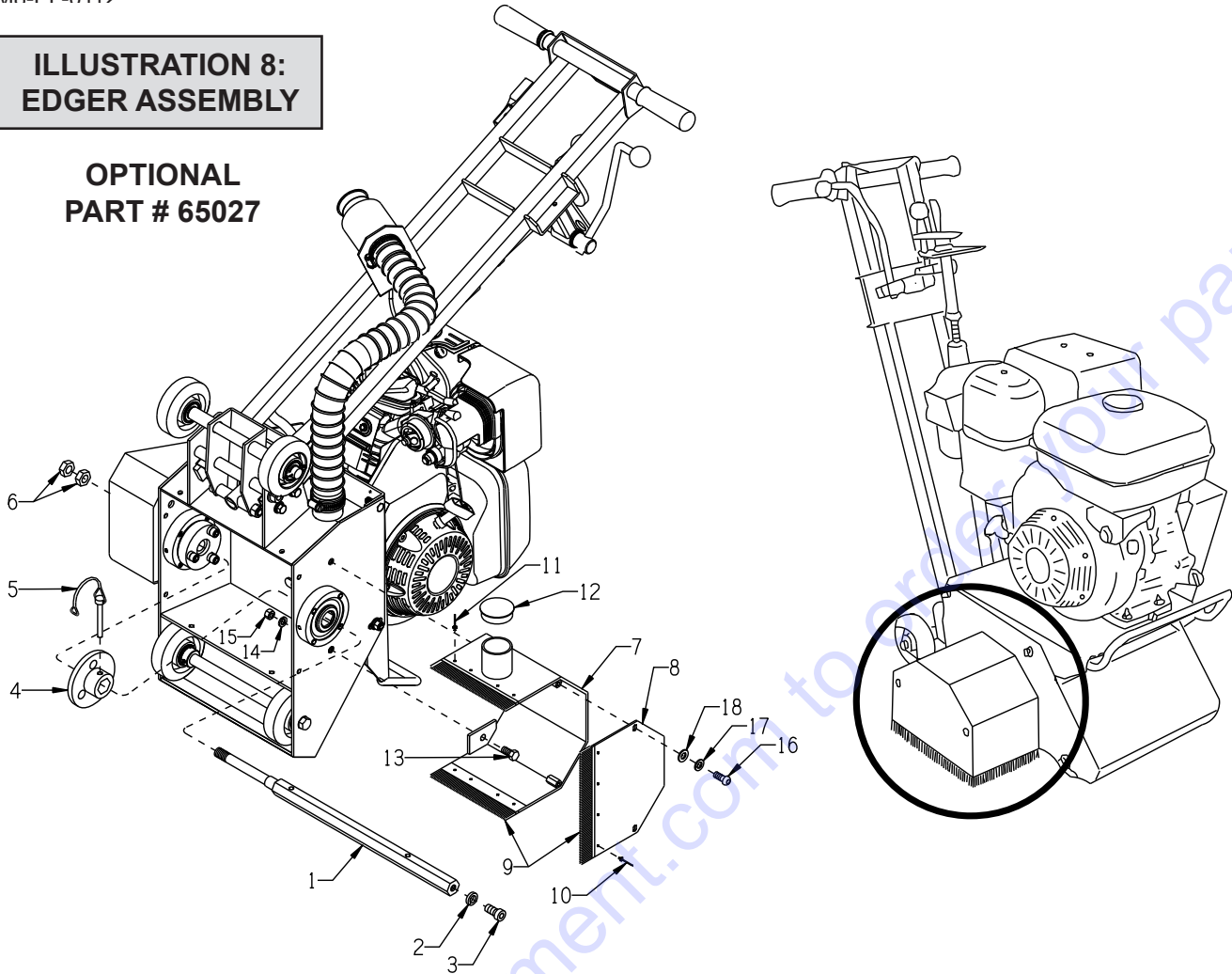
Discount-Equipment.com is your online resource for quality parts & equipment.

Florida: **561-964-4949** Outside Florida TOLL FREE: **877-690-3101**

Need parts?

Click on this link: <http://www.discount-equipment.com/category/5443-parts/> and choose one of the options to help get the right parts and equipment you are looking for. Please have the machine model and serial number available in order to help us get you the correct parts. If you don't find the part on the website or on one of the online manuals, please fill out the request form and one of our experienced staff members will get back to you with a quote for the right part that your machine needs.

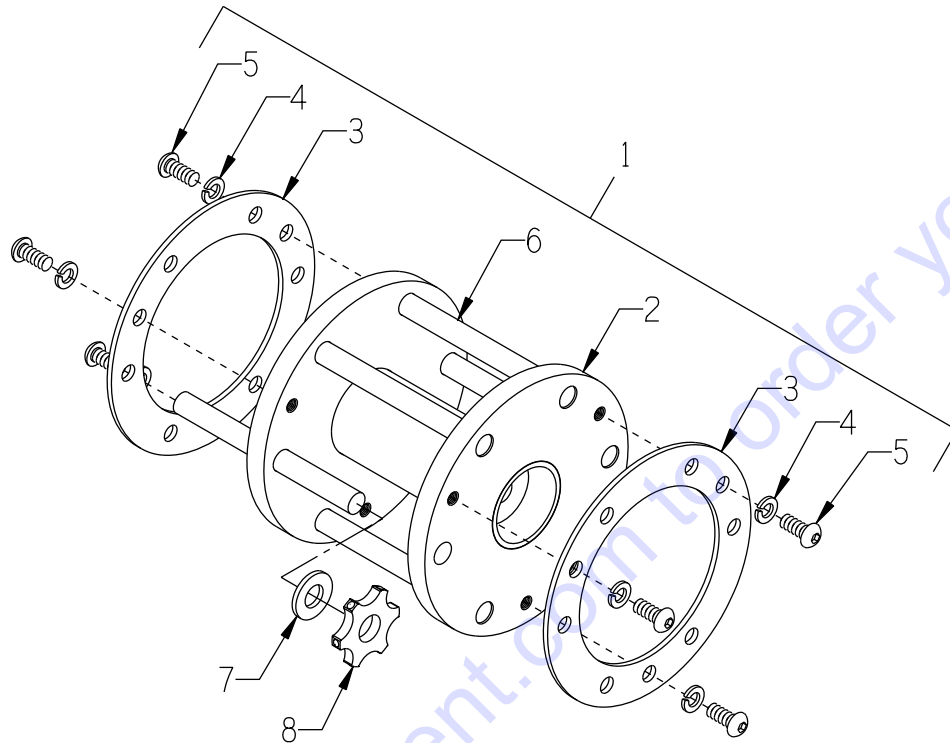
We sell worldwide for the brands: Genie, Terex, JLG, MultiQuip, Mikasa, Essick, Whiteman, Mayco, Toro Stone, Diamond Products, Generac Magnum, Airman, Haulotte, Barreto, Power Blanket, Nifty Lift, Atlas Copco, Chicago Pneumatic, Allmand, Miller Curber, Skyjack, Lull, Skytrak, Tsurumi, Husquvarna Target, Stow, Wacker, Sakai, Mi-T-M, Sullair, Basic, Dynapac, MBW, Weber, Bartell, Bennar Newman, Haulotte, Ditch Runner, Menegotti, Morrison, Contec, Buddy, Crown, Edco, Wyco, Bomag, Laymor, EZ Trench, Bil-Jax, F.S. Curtis, Gehl Pavers, Heli, Honda, ICS/PowerGrit, IHI, Partner, Imer, Clipper, MMD, Koshin, Rice, CH&E, General Equipment, Amida, Coleman, NAC, Gradall, Square Shooter, Kent, Stanley, Tamco, Toku, Hatz, Kohler, Robin, Wisconsin, Northrock, Oztec, Toker TK, Rol-Air, APT, Wylie, Ingersoll Rand / Doosan, Innovatech, Con X, Ammann, Mecalac, Makinex, Smith Surface Prep, Small Line, Wanco, Yanmar

**ILLUSTRATION 8:
EDGER ASSEMBLY**
**OPTIONAL
PART # 65027**


| ITEM # | PART # | DESCRIPTION | QTY. |
|--------|--------|---------------------------------------|-------|
| 1 | 65025 | DRUM SHAFT, CPM-8 EDGER | 1 |
| 2 | 10420 | WASHER, LOCK 1/2 HEAVY-DUTY | 1 |
| 3 | 10490 | SCREW, SKT. HD. CAP 1/2-13 X 1 | 1 |
| 4 | 65026 | FLANGE, DRIVER, CPM-8 EDGER | 1 |
| 5 | 65028 | PIN, WIRE LOCK 5/16" DIA. X 2.75" GRP | 1 |
| 6 | 65039 | NUT, JAM 5/8-11 LEFT-HAND THD. ZINC | 2 |
| 7 | 65023A | COVER ONLY, DRUM, CPM-8 EDGER | 1 |
| 8 | 65024A | COVER SIDE PANEL ONLY, CPM-8 EDGER | 1 |
| 9 | 65029 | BRUSHES (SET OF 3), CPM-8 EDGER | 1-SET |
| 10 | 10128 | RIVET, BLIND 1/8 X .250L X .262HD | 4 |
| 11 | 10134 | RIVET, BLND 3/16X.450"L X.375HD DIA | 8 |
| 12 | 65021 | CAP/PLUG 2" RED PLASTIC, FLANGED | 1 |
| 13 | 10055 | SCREW, CAP 3/8-16 X 1 | 2 |
| 14 | 10811 | WASHER, LOCK 3/8 ZINC | 2 |
| 15 | 10404 | NUT, HEX 3/8-16 ZINC | 2 |
| 16 | 10627 | SCREW, SKT. BUTTON HD. 5/16-18 X3/4 | 2 |
| 17 | 10801 | WASHER, LOCK 5/16 ZINC | 2 |
| 18 | 10213 | WASHER, FLAT 5/16 SAE ZINC | 2 |

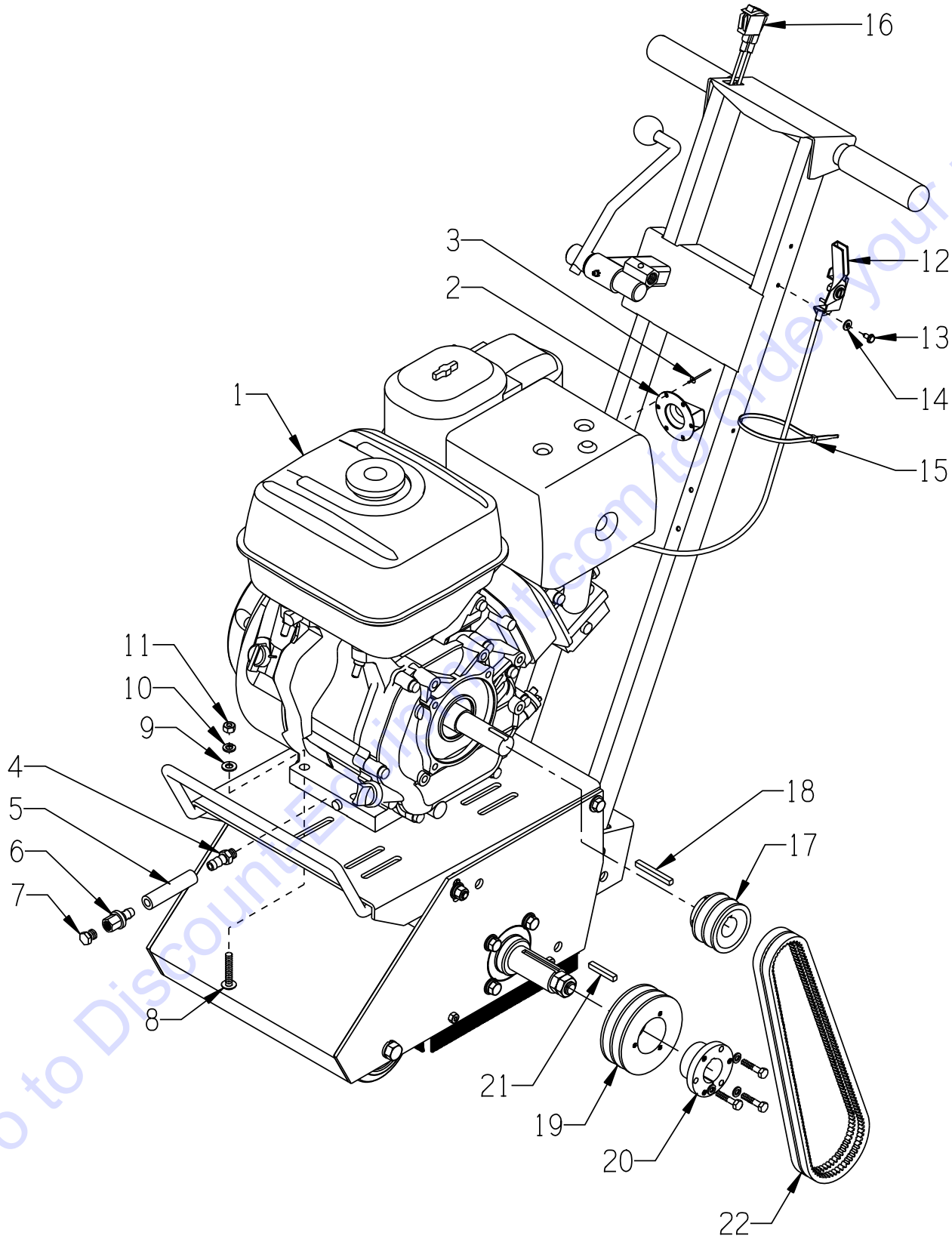
**ILLUSTRATION 9:
EDGER CUTTER DRUM ASSEMBLY**

OPTIONAL - 4" WIDTH



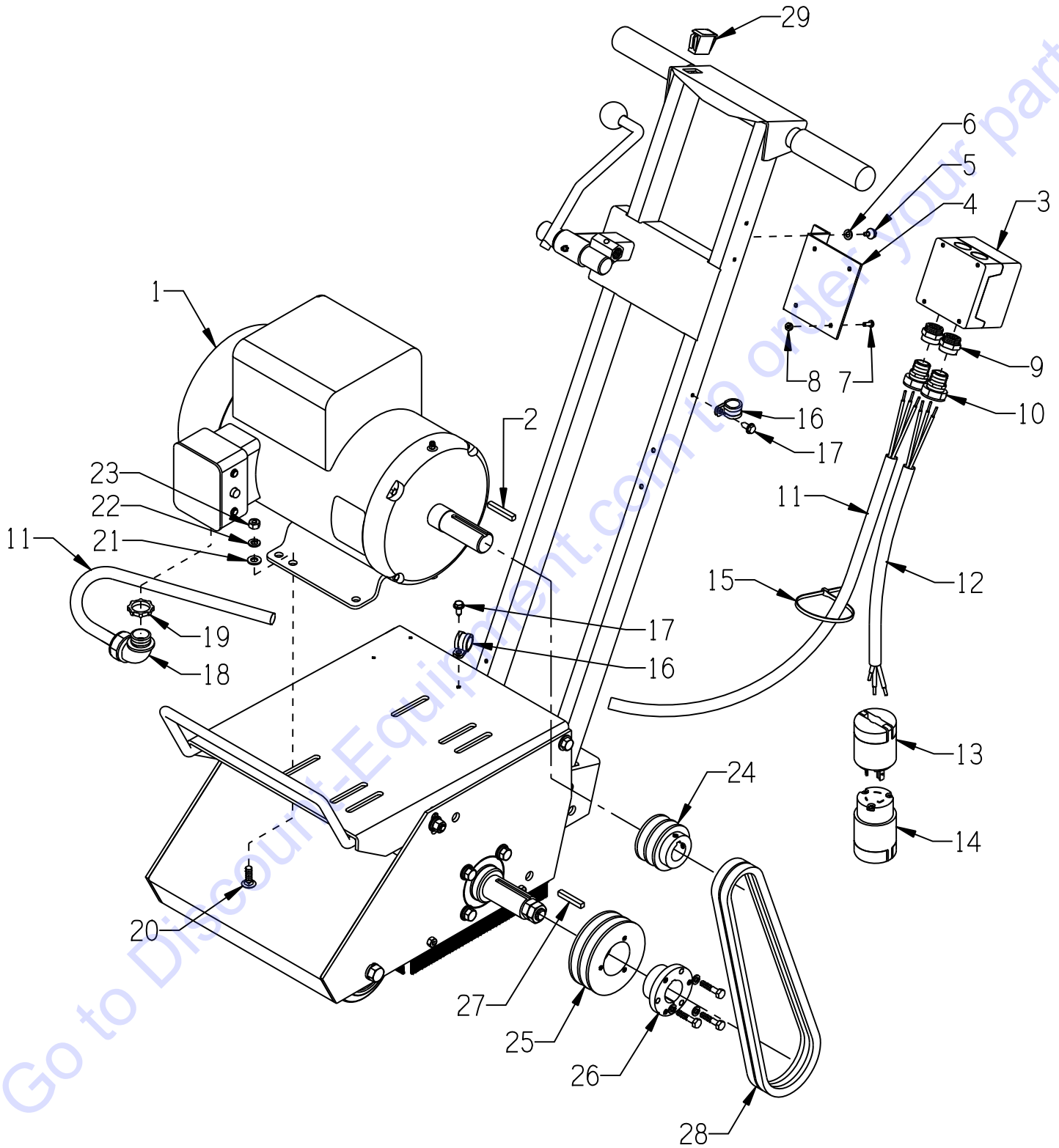
| ITEM # | PART # | DESCRIPTION | QTY. |
|--|--------|---|----------|
| 1* | C66040 | DRUM ASSEMBLY COMPLETE, CPM-8 CUTTER (INCLUDES ITEMS 2 THRU 6) | 1 |
| 2 | C66041 | DRUM ONLY, CUTTER, CPM-4 | 1 |
| 3 | 65054 | RETAINING PLATE, CUTTER SHAFT | 2 |
| 4 | 10801 | WASHER, LOCK 5/16 ZINC | 6 |
| 5 | 10627 | SCREW, SKT. BUTTON HD. 5/16-18 X3/4 | 6 |
| 6 | C66043 | CP410 SHAFT 1/2 X 5-3/16" L | 6 |
| 7* | 12230 | CG227 SPACER 1/2" ID | SEE NOTE |
| 8* | 20156 | CUTTERS: CP206T 6-PT. CARBIDE 1-3/4" OD x 5/8" ID x 1/4" THK (SHOWN) | SEE NOTE |
| | 20336 | CP207T 7-PT. SOLID CARBIDE MILLING 1-1/2" OD x 1/2" ID x 1/2" THK | |
| | 12206 | JRS501P 18-PT. POINTED STEEL 2" OD x 1/2" ID x 3/16" THK | |
| | 20206 | CP305 12-PT. FLAT TIP STEEL 2" OD x 5/8" ID x 3/16" THK | |
| <p>*NOTE: CUTTER WHEELS AND SPACERS ARE NOT INCLUDED WITH THE DRUM ASSEMBLY. THE NUMBER OF CUTTER WHEELS AND SPACERS VARY WITH TYPE OF SET-UP USED. REFER TO ASSEMBLY INSTRUCTIONS FOR SUGGESTED SET-UPS AND QUANTITIES.</p> | | | |

ILLUSTRATION 10: ENGINE GROUPING



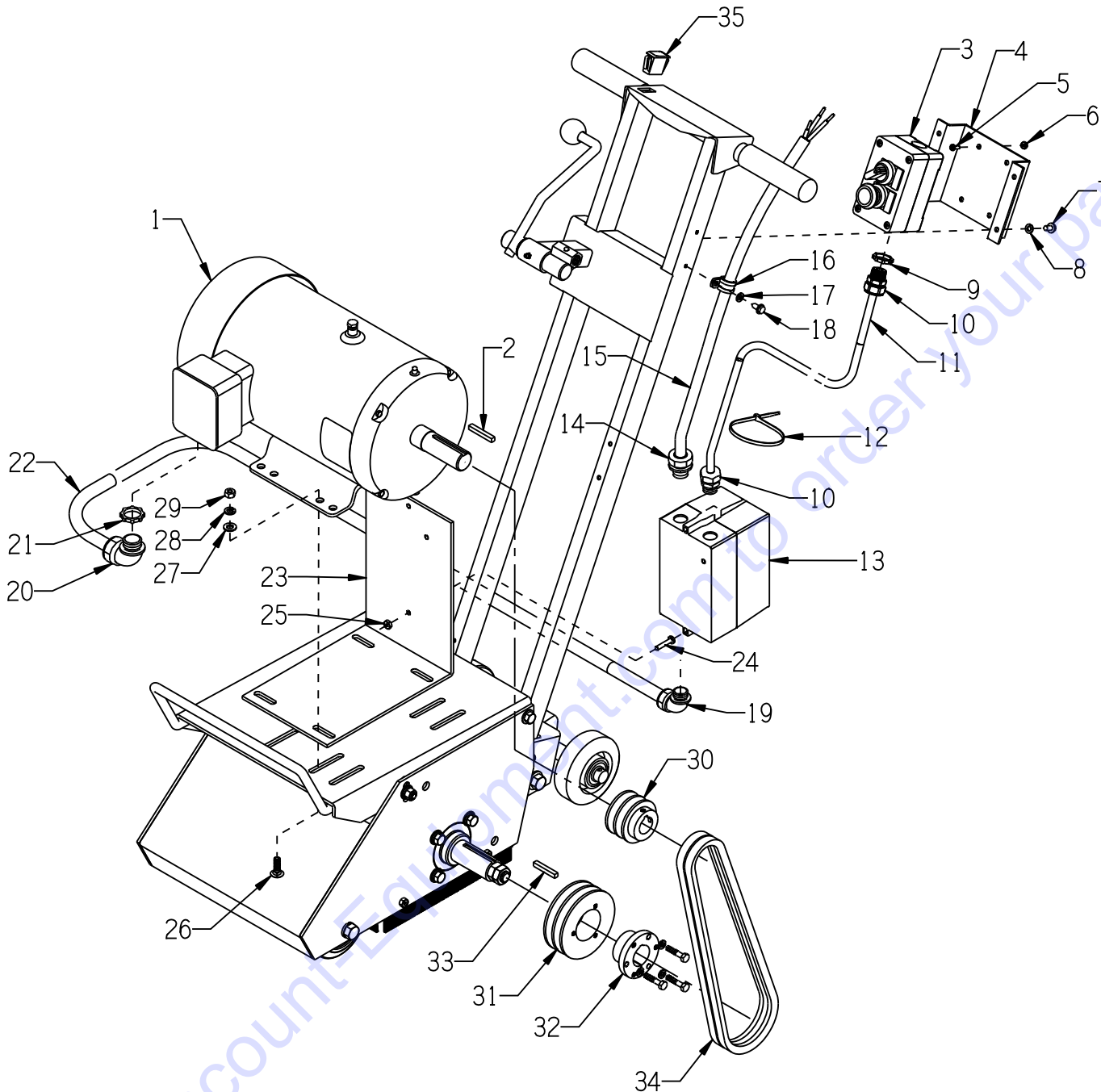
| PARTS LISTING - ILLUSTRATION 10: ENGINE GROUPING | | | |
|--|--------|--|------|
| ITEM # | PART # | DESCRIPTION | QTY. |
| 1 | 15027 | ENGINE, HONDA GX270U-QXC9 CYC.A.C. | 1 |
| 2 | 10625 | MUFFLER CAP, HONDA #18331-ZE3-811 | 1 |
| 3 | 10128 | RIVET, BLIND 1/8 X .250L X .262HD | 2 |
| 4 | 11544 | BARB, PUSH-ON 3/8 HOSE X 1/4FPT | 1 |
| 5 | 56116 | HOSE, PUSH-ON 3/8"ID X 3"L | 1 |
| 6 | 11542 | BARB, PUSH-ON 3/8HOSE X M12-1.5MALE | 1 |
| 7 | 10776 | PIPE PLUG 1/4 NPT (BRASS) | 1 |
| 8 | 10918 | BOLT, CARRIAGE 5/16-18 X 1-3/4 F.T. | 4 |
| 9 | 10213 | WASHER, FLAT 5/16 SAE ZINC | 4 |
| | 10025 | WASHER, FLAT 3/8 SAE ZINC | 2 |
| 10 | 10801 | WASHER, LOCK 5/16 ZINC | 4 |
| 11 | 10054 | NUT, HEX 5/16-18 ZINC | 4 |
| 12 | 40388 | CABLE, THROTTLE, LEVER-TYPE 24" | 1 |
| 13 | 10877 | SCREW, CAP STSHW 10-24 X 1/2 | 2 |
| 14 | 10831 | WASHER, LOCK, INT. TOOTH #10 | 2 |
| 15 | 10982 | TIE, CABLE, BLACK NYLON 11-1/4" | 1 |
| 16 | 15201A | SWITCH W/ WIRES, ROCKER RED ON-OFF ADDITIONAL PARTS REQ'D. (NOT SHOWN): | 1 |
| | 50084 | TERM., RING #10 16-14GA. INSULATED | 1 |
| | 10877 | SCREW, CAP STSHW 10-24 X 1/2 | 1 |
| | 10831 | WASHER, LOCK, INT. TOOTH #10 | 1 |
| 17 | 10553 | SHEAVE 2.5"OD X 2GR.A X 1"BORE | 1 |
| 18 | 10307 | KEY 1/4SQ X 2-1/4 | 1 |
| 19 | 65045 | SHEAVE 4.05"OD X 2GR.A X SH | 1 |
| 20 | 10505 | BUSHING, SHEAVE SH X 1-1/4"BORE | 1 |
| 21 | 40317 | KEY 1/4SQ X 1-5/8 | 1 |
| 22 | 81007 | BELT AX-33 | 2 |

ILLUSTRATION 11: SINGLE PHASE MOTOR GROUPING



| PARTS LISTING - ILLUSTRATION 11: SINGLE PHASE MOTOR GROUPING | | | |
|---|--------------|---|----------|
| ITEM # | PART # | DESCRIPTION | QTY. |
| 1 | 81026 | MOTOR, BALDOR 5HP-1PH 60HZ 3450RPM | 1 |
| | 16121 | REPLACEMENT PARTS: CAPACITOR, START, BALDOR EC1161C06SP | 2 |
| | 16164 | CAPACITOR, RUN, BALDOR #OC3040F09SP | 1 |
| | 16540 | THERMAL PROT. (RESET BUTTON) TPBRT25DB | 1 |
| 2 | ---- | KEY 1/4"SQ. X 1-3/4 (INCLUDED W/ MOTOR) | 1 |
| 3 | 77043 | SWITCH, ROTARY CAM ON/OFF | 1 |
| 4 | 77042 | BRACKET, ROTARY CAM SWITCH | 1 |
| 5 | 10846 | SCREW, CAP STSHW 1/4-20 X 1/2 | 2 |
| 6 | 10038 | WASHER, LOCK 1/4 ZINC | 2 |
| 7 | 11663 | SCREW, MACHINE 8-32 X 1/2 (LOCATED INSIDE OF SWITCH BOX) | 4 |
| 8 | 10462 | NUT, KEPS LOCK 8-32 ZINC | 4 |
| 9 | 77043-1 | SWITCH ADAPTER, PG16 TO 1/2"NPT | 2 |
| 10 | 41130 | STRAIN RELIEF 1/2NPT X .550-.650" | 2 |
| 11 | 65137 | WIRE HARNESS 10/3 X 60"LOA | 1 |
| 12 | 86026 | WIRE HARNESS 10/3 X 24"LOA | 1 |
| 13 | 40037 | PLUG, LOCKING 20A/250V L6-20P | 1 |
| 14 | 40000 | CONNECTOR, LOCKING 20A/250V L6-20C | 1 |
| 15 | 10982 | TIE, CABLE, BLACK NYLON 11-1/4" | 1 |
| 16 | 11565 | CLAMP, LOOM, 5/8" (SAE SIZE 10) | 2 |
| 17 | 10877 | SCREW, CAP STSHW 10-24 X 1/2 | 2 |
| | 10831 | WASHER, LOCK, INT. TOOTH #10 | 2 |
| 18 | 16539 | STRAIN RELIEF 90D X 3/4NPT .50-.625 | 1 |
| 19 | 10740 | CONDUIT LOCK NUT 3/4 NP (LOCATED INSIDE OF JUNCTION BOX) | 1 |
| 20 | 10819 | BOLT, CARRIAGE 5/16-18 X 1 FULL THD | 4 |
| 21 | 10213 | WASHER, FLAT 5/16 SAE ZINC | 4 |
| 22 | 10801 | WASHER, LOCK 5/16 ZINC | 4 |
| 23 | 10054 | NUT, HEX 5/16-18 ZINC | 4 |
| 24 | 10555 | SHEAVE 2.5"OD X 2GR.A X 1-1/8"BORE | 1 |
| 25 | 65045 | SHEAVE 4.05"OD X 2GR.A X SH | 1 |
| 26 | 10505 | BUSHING, SHEAVE SH X 1-1/4"BORE | 1 |
| 27 | 40317 | KEY 1/4SQ X 1-5/8 | 1 |
| 28 | 10239 | BELT A32 | 2 |
| 29 | 15204 | PLUG, RECT. HOLE, PLASTIC SNAP-IN | 1 |

ILLUSTRATION 12: THREE PHASE MOTOR GROUPING

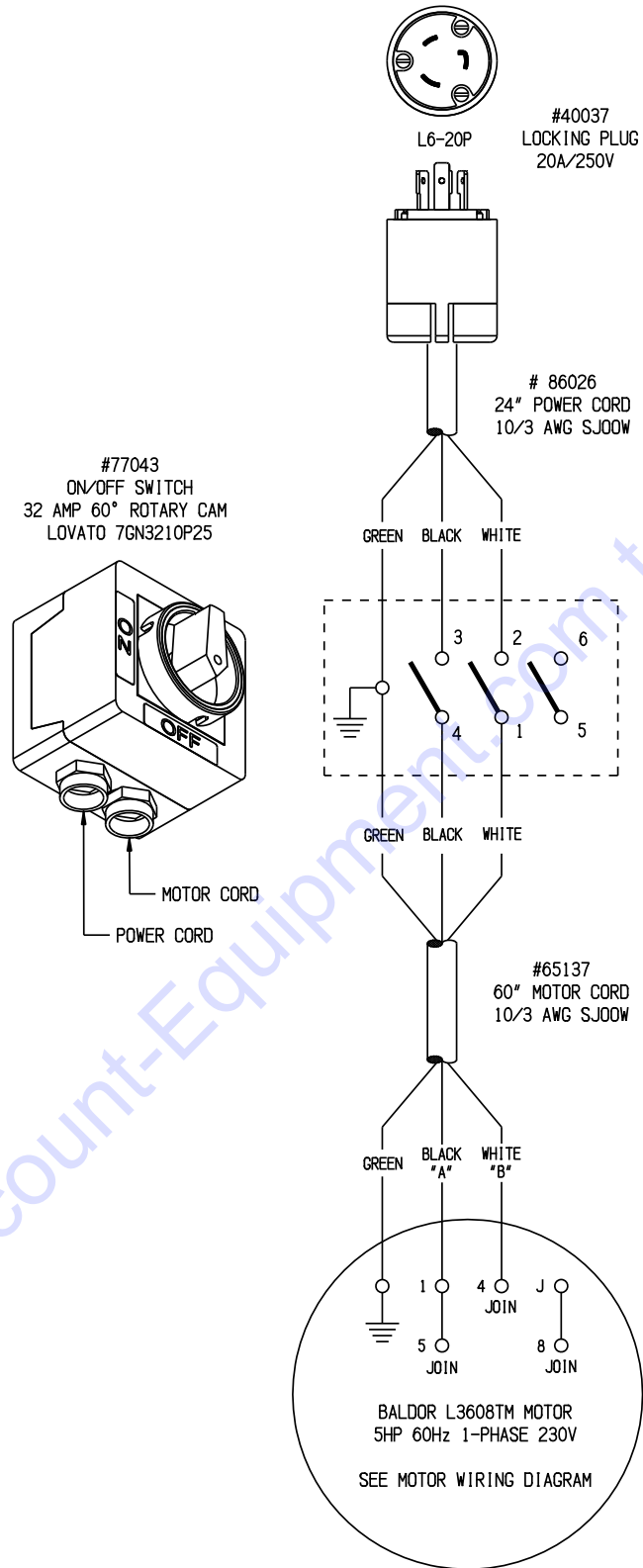


| PARTS LISTING - ILLUSTRATION 12: THREE PHASE MOTOR GROUPING | | | |
|---|--------|---|------|
| ITEM # | PART # | DESCRIPTION | QTY. |
| 1 | 81022 | MOTOR, BALDOR 5HP-3PH-60HZ-230/460V EM3613T | 1 |
| | 16020 | MOTOR, BALDOR 5HP-3PH 50HZ-220/380/440V M3613T-50 | 1 |
| 2 | ---- | KEY 1/4"SQ X 1-3/4 (INCLUDED W/ MOTOR) | 1 |
| 3 | 16660 | SWITCH BOX COMPLETE, ON/OFF/E-STOP ... INCLUDES: | 1 |
| | 16661 | ENCLOSURE, 2 HOLE ACI PBE2 | 1 |
| | 16662 | LEGEND PLATE, EMER.STOP - BLACK | 1 |
| | 16663 | LEGEND PLATE, OFF/ON | 1 |
| | 16664 | MUSHROOM BUTTON, RED JR22GN11R | 1 |
| | 16665 | KNOB TYPE SELECTOR SWITCH, BLACK | 1 |

| PARTS LISTING CONTINUED - ILLUS. 12: THREE PHASE MOTOR GROUPING | | | |
|---|--|--|--|
| ITEM # | PART # | DESCRIPTION | QTY. |
| 4 | 65088 | BRACKET, REMOTE SWITCH, CPM-8 | 1 |
| 5 | 11663 | SCREW, MACHINE 8-32 X 1/2 | 4 |
| 6 | 10462 | NUT, KEPS LOCK 8-32 ZINC | 4 |
| 7 | 10846 | SCREW, CAP STSHW 1/4-20 X 1/2 | 4 |
| 8 | 10038 | WASHER, LOCK 1/4 ZINC | 4 |
| 9 | 10790 | CONDUIT LOCK NUT 1/2 NP (LOCATED INSIDE BOX) | 1 |
| 10 | 16190 | STRAIN RELIEF 1/2NPT X .250-.350" | 2 |
| 11 | 65140 | WIRE HARNESS 16/2 X 48"LOA | 1 |
| 12 | 10982 | TIE, CABLE, BLACK NYLON 11-1/4" | 3 |
| 13 | 16457 16458 16476 16617 16618 16622 16623 16632 16633 16635 | STARTER ACI #128844 200/240V COIL 11.3-16A O/L STARTER ACI #128846 440/480V COIL 5.5-7.5A O/L STARTER ACI 440/480V 7.2-10A O/L (USED FOR 50Hz-380V) REPLACEMENT PARTS: STARTER CONT./COIL ACI SK18.310-230 STARTER CONT./COIL ACI SK18.310-460 STARTER AC COIL 200/240V-60HZ, 190/220-50HZ STARTER AC COIL 440/480V-60HZ, 380/415-50HZ STARTER OVERLOAD RELAY 5.5-7.5 AMP STARTER OVERLOAD RELAY 7.2-10.0 AMP STARTER OVERLOAD RELAY 11.3-16.0 AMP | 1 1 1 1 1 1 1 1 1 1 |
| 14 | 41053 | STRAIN RELIEF 1/2NPT X .625-.750" | 1 |
| 15 | 65105 | WIRE HARNESS 10/4 X 48"LOA, CPM-8 | 1 |
| 16 | 11565 | CLAMP, LOOM, 5/8" (SAE SIZE 10) | 1 |
| 17 | 10831 | WASHER, LOCK, INT. TOOTH #10 | 1 |
| 18 | 10877 | SCREW, CAP STSHW 10-24 X 1/2 | 1 |
| 19 | 11621 | STRAIN RELIEF 1/2"90D X .625-.750" | 1 |
| 20 | 16539 | STRAIN RELIEF 90D X 3/4NPT .50-.625 | 1 |
| 21 | 10740 | CONDUIT LOCK NUT 3/4 NP (LOCATED INSIDE BOX) | 1 |
| 22 | 65108 | WIRE HARNESS 10/4 X 32"LOA, CPM-8 | 1 |
| 23 | 65087 | MOUNT, STARTER | 1 |
| 24 | 11732 10384 | SCREW, MACHINE 10-32 X 1-3/4 RPH SCREW, MACHINE 10-32 X 1 RHP | 2 1 |
| 25 | 10832 | NUT, KEPS LOCK 10-32 ZINC | 3 |
| 26 | 10820 | BOLT, CARRIAGE 5/16-18 X 1-1/4 F.T. | 4 |
| 27 | 10213 | WASHER, FLAT 5/16 SAE ZINC | 4 |
| 28 | 10801 | WASHER, LOCK 5/16 ZINC | 4 |
| 29 | 10054 | NUT, HEX 5/16-18 ZINC | 4 |
| 30 | 10555 10526 | SHEAVE 2.5"OD X 2GR.A X 1-1/8"BORE (60Hz MOTOR) SHEAVE 3"OD X 2GR.A X 1-1/8"BORE (50Hz MOTOR) | 1 1 |
| 31 | 65045 | SHEAVE 4.05"OD X 2GR.A X SH | 1 |
| 32 | 10505 | BUSHING, SHEAVE SH X 1-1/4"BORE | 1 |
| 33 | 40317 | KEY 1/4SQ X 1-5/8 | 1 |
| 34 | 10239 | BELT A32 | 2 |
| 35 | 15204 | PLUG, RECT. HOLE, PLASTIC SNAP-IN | 1 |

WIRING DIAGRAM FOR ROTARY SWITCH

60HZ 1-PHASE 230V

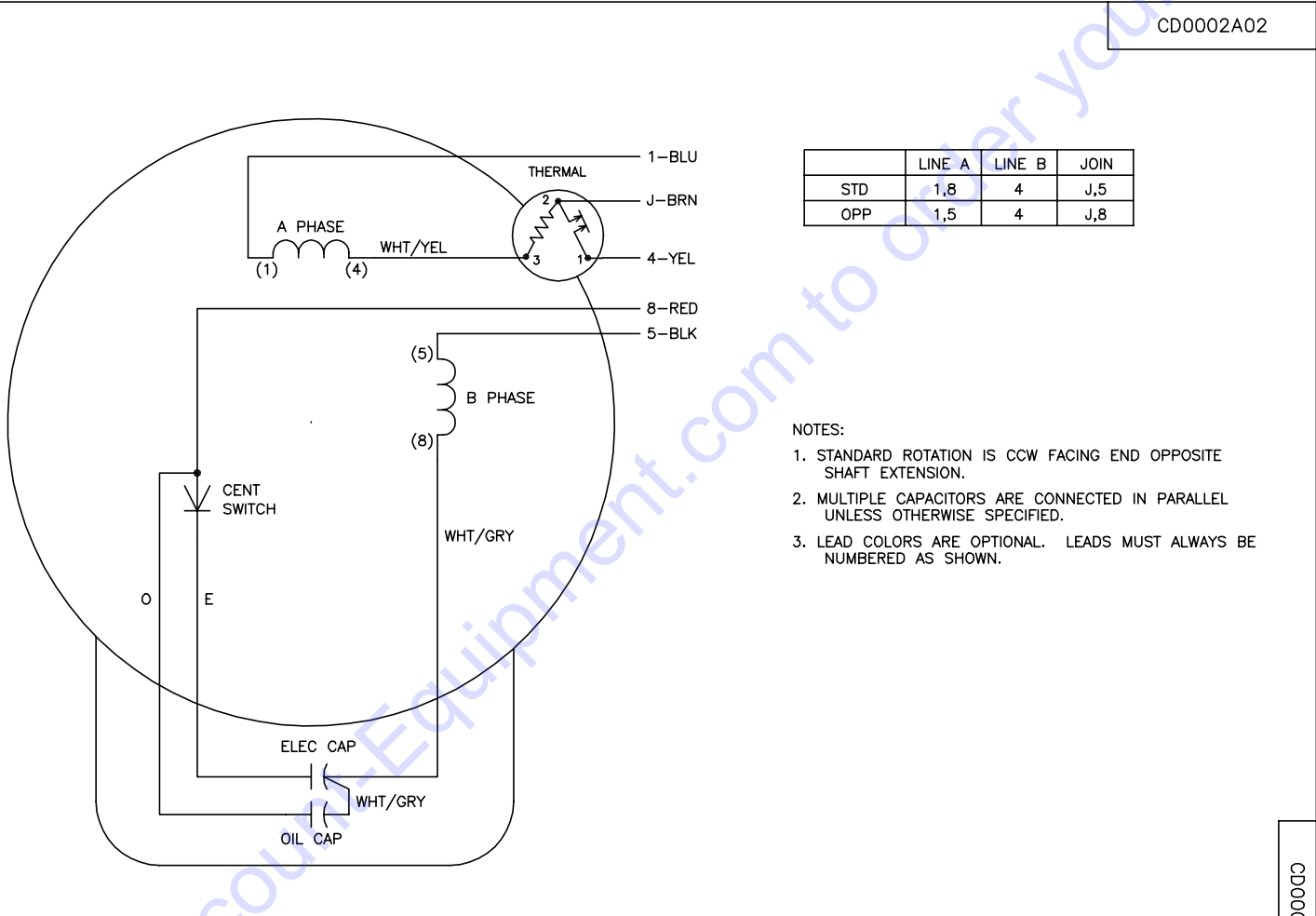


WIRING DIAGRAM FOR 60Hz 1-PHASE MOTOR

BALDOR CAT. NO. L3608TM
 5 H.P., 1 PHASE, 60 HERTZ, 3450 RPM,
 230 VOLT, 19.5 FULL LOAD AMPS

USE CONNECTIONS FOR OPPOSITE ROTATION SHOWN BELOW
 LINE "A" IS BLACK WIRE, LINE "B" IS WHITE WIRE

CD0002A02



| | LINE A | LINE B | JOIN |
|-----|--------|--------|------|
| STD | 1,8 | 4 | J,5 |
| OPP | 1,5 | 4 | J,8 |

- NOTES:
- STANDARD ROTATION IS CCW FACING END OPPOSITE SHAFT EXTENSION.
 - MULTIPLE CAPACITORS ARE CONNECTED IN PARALLEL UNLESS OTHERWISE SPECIFIED.
 - LEAD COLORS ARE OPTIONAL. LEADS MUST ALWAYS BE NUMBERED AS SHOWN.

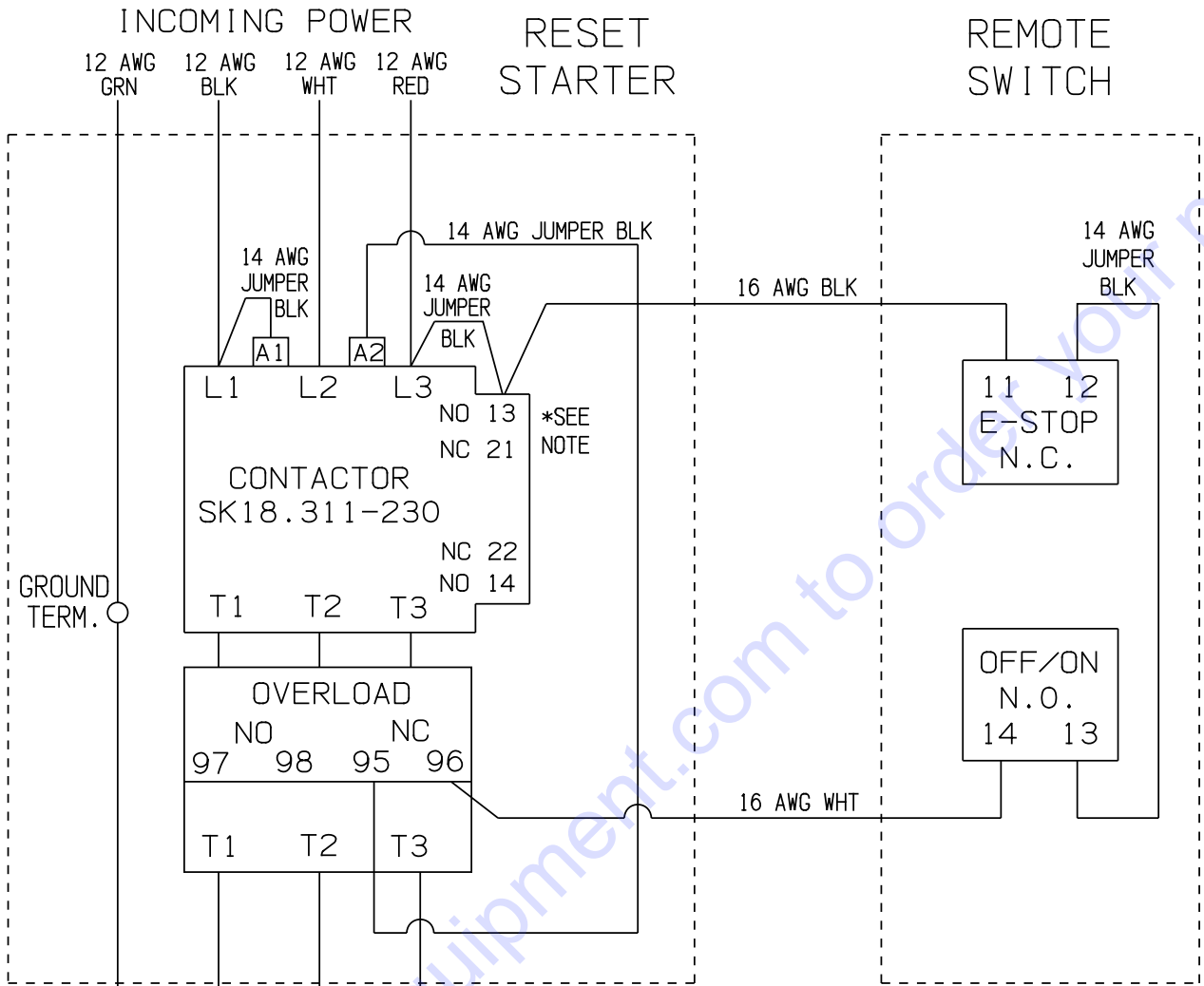
| | | |
|--|----------------------|------------------------------|
| REV. DESC: REMOVE 2-TERMINAL THERMAL DETAIL, SEE CD0002A04 | | |
| REV. LTR: D | VERSION: 01 | TDR: 000000360649 |
| CD0002A02 | FILE: \AAA\00007\520 | REVISED: 17:11:40 04/15/2005 |
| | MTL: - | BY: ENJOEPO |

BALDOR ELECTRIC Co.

TYPE LC, SV, REV, THERMAL, 5 LEADS

CD0002A02

WIRING DIAGRAM FOR STARTER & REMOTE SWITCH

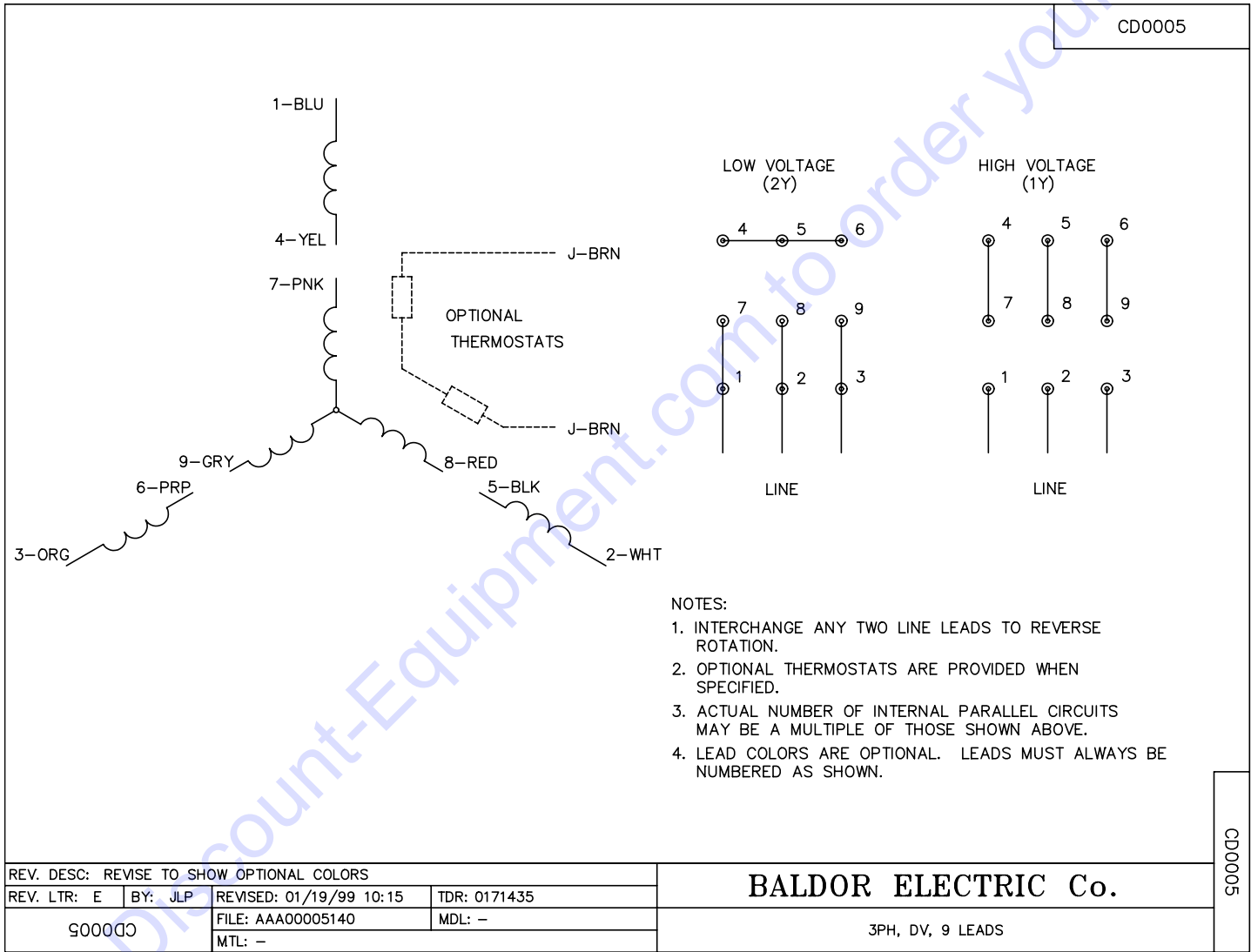


*NOTE:
 TERMINAL 21 IS LOCATED ON TOP.
 BE SURE THE WIRES ARE CONNECTED
 TO TERMINAL 13 WHICH IS BELOW 21.

| COLOR CODES | |
|-------------|---------|
| BLK | = BLACK |
| GRN | = GREEN |
| RED | = RED |
| WHT | = WHITE |

WIRING DIAGRAM FOR 60Hz 3-PHASE MOTOR

BALDOR CAT. NO. EM3613T
 5 H.P., 3 PHASE, 60 HERTZ, 3450 RPM,
 230/460 VOLTS, 12/6 FULL LOAD AMPS



- NOTES:
1. INTERCHANGE ANY TWO LINE LEADS TO REVERSE ROTATION.
 2. OPTIONAL THERMOSTATS ARE PROVIDED WHEN SPECIFIED.
 3. ACTUAL NUMBER OF INTERNAL PARALLEL CIRCUITS MAY BE A MULTIPLE OF THOSE SHOWN ABOVE.
 4. LEAD COLORS ARE OPTIONAL. LEADS MUST ALWAYS BE NUMBERED AS SHOWN.

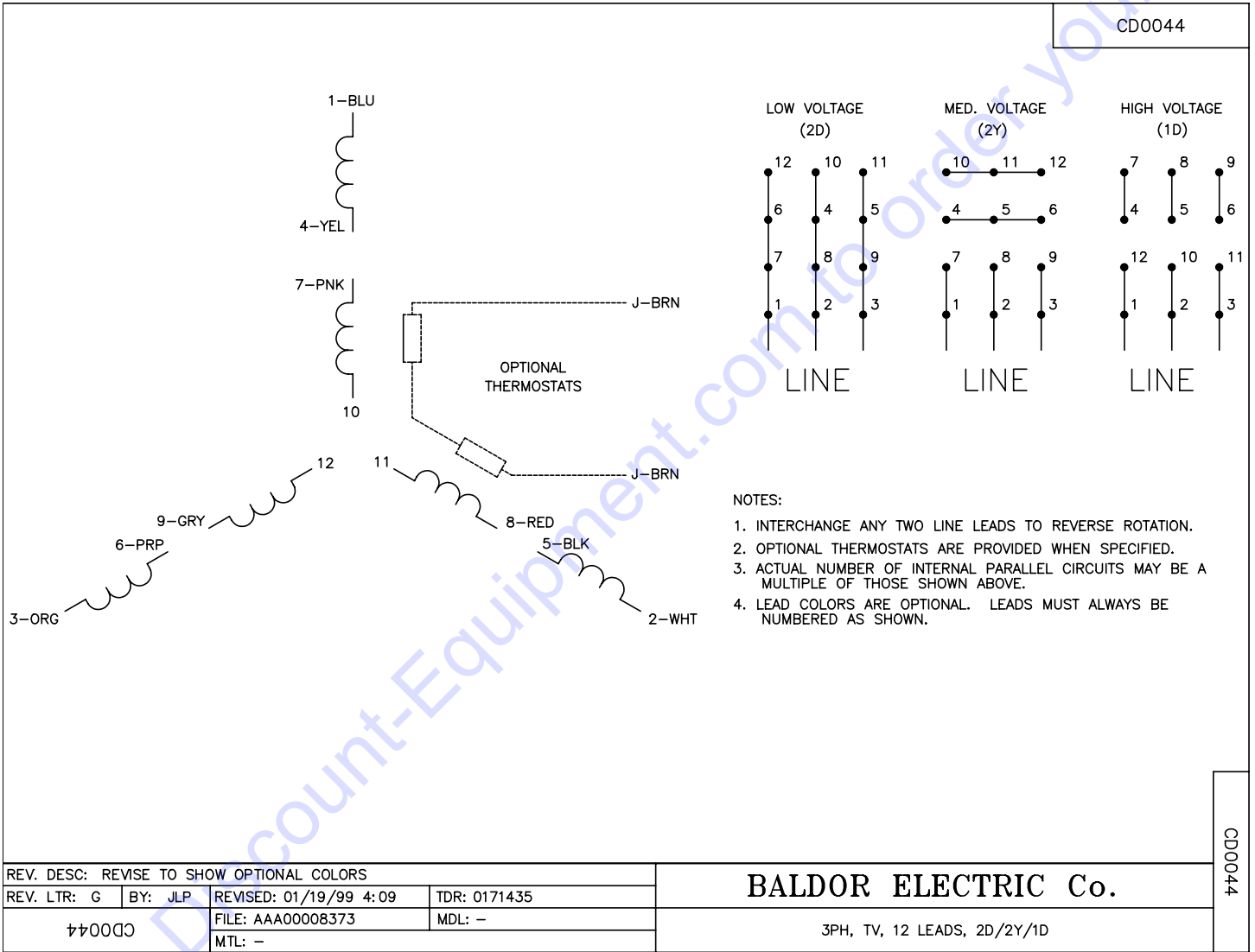
BALDOR ELECTRIC Co.

3PH, DV, 9 LEADS

CD0005

WIRING DIAGRAM FOR 50Hz 3-PHASE MOTOR

BALDOR CAT. NO. M3613T-50
 5 H.P., 3 PHASE, 50 HERTZ, 2850 RPM,
 220/380/440 VOLTS, 13/7.6/6.5 FULL LOAD AMPS



PARTS FINDER

**Search Website
by Part Number**



**Search Manual
Library For Parts
Manual & Lookup Part
Numbers – Purchase
or Request Quote**

Search Manuals

Enter your information to help us find the right parts manual for your machine.

* Brand:

* Model:

* Serial:

* Part Number:

SEARCH

**Can't Find Part or
Manual? Request Help
by Manufacturer,
Model & Description**

Parts Order Form

Please fill in the following information to help us find the right part for your machine.

| | |
|---------------|----------------------|
| Manufacturer: | <input type="text"/> |
| Model: | <input type="text"/> |
| Description: | <input type="text"/> |
| Part Number: | <input type="text"/> |
| Quantity: | <input type="text"/> |
| Notes: | <input type="text"/> |

Submit

Discount-Equipment.com is your online resource for quality parts & equipment.

Florida: **561-964-4949** Outside Florida TOLL FREE: **877-690-3101**

Need parts?

Click on this link: <http://www.discount-equipment.com/category/5443-parts/> and choose one of the options to help get the right parts and equipment you are looking for. Please have the machine model and serial number available in order to help us get you the correct parts. If you don't find the part on the website or on one of the online manuals, please fill out the request form and one of our experienced staff members will get back to you with a quote for the right part that your machine needs.

We sell worldwide for the brands: Genie, Terex, JLG, MultiQuip, Mikasa, Essick, Whiteman, Mayco, Toro Stone, Diamond Products, Generac Magnum, Airman, Haulotte, Barreto, Power Blanket, Nifty Lift, Atlas Copco, Chicago Pneumatic, Allmand, Miller Curber, Skyjack, Lull, Skytrak, Tsurumi, Husquvarna Target, Stow, Wacker, Sakai, Mi-T-M, Sullair, Basic, Dynapac, MBW, Weber, Bartell, Bennar Newman, Haulotte, Ditch Runner, Menegotti, Morrison, Contec, Buddy, Crown, Edco, Wyco, Bomag, Laymor, EZ Trench, Bil-Jax, F.S. Curtis, Gehl Pavers, Heli, Honda, ICS/PowerGrit, IHI, Partner, Imer, Clipper, MMD, Koshin, Rice, CH&E, General Equipment, Amida, Coleman, NAC, Gradall, Square Shooter, Kent, Stanley, Tamco, Toku, Hatz, Kohler, Robin, Wisconsin, Northrock, Oztec, Toker TK, Rol-Air, APT, Wylie, Ingersoll Rand / Doosan, Innovatech, Con X, Ammann, Mecalac, Makinex, Smith Surface Prep, Small Line, Wanco, Yanmar