

REVISED STARTING  
SERIAL #081010001

# PARTS LIST MANUAL

## Models 4-EC & 4-GC



### FOUR-DISC CONCRETE FLOOR GRINDERS

SKU #	MODEL #	POWER OPTION
51500	4GC-11H	HONDA GXV340 GASOLINE ENGINE W/ DUAL ELEMENT AIR CLEANER
54400	4GC-11P	HONDA GXV340 PROPANE ENGINE W/ DUAL ELEMENT AIR CLEANER
53600	4EC-5B/230/1	BALDOR ELECTRIC MOTOR 5HP 60Hz 230V 1-PHASE 19.5 F.L. AMPS
52800-230	4EC-5B/230/3	BALDOR ELECTRIC MOTOR 5HP 60Hz 230V 3-PHASE 12 F.L. AMPS
52800-460	4EC-5B/460/3	BALDOR ELECTRIC MOTOR 5HP 60Hz 460V 3-PHASE 6 F.L. AMPS
52800-50/220	4EC-5B/50/220/3	BALDOR ELECTRIC MOTOR 5HP 50Hz 220V 3-PHASE 13 F.L. AMPS
52800-50/380	4EC-5B/50/380/3	BALDOR ELECTRIC MOTOR 5HP 50Hz 380V 3-PHASE 7.6 F.L. AMPS
52800-50/440	4EC-5B/50/440/3	BALDOR ELECTRIC MOTOR 5HP 50Hz 440V 3-PHASE 6.5 F.L. AMPS

# PARTS FINDER

**Search Website  
by Part Number**



**Search Manual  
Library For Parts  
Manual & Lookup Part  
Numbers – Purchase  
or Request Quote**

**Search Manuals**

Enter your information to help us find the right parts manual for your machine.

\* Brand:

\* Model:

\* Serial:

\* Part Number:

SEARCH

**Can't Find Part or  
Manual? Request Help  
by Manufacturer,  
Model & Description**

**Parts Order Form**

Please fill in the following information to help us find the right part for your machine.

Manufacturer:	<input type="text"/>
Model:	<input type="text"/>
Description:	<input type="text"/>
Part Number:	<input type="text"/>
Quantity:	<input type="text"/>
Notes:	<input type="text"/>

Discount-Equipment.com is your online resource for quality parts & equipment.

Florida: **561-964-4949** Outside Florida TOLL FREE: **877-690-3101**

**Need parts?**

Click on this link: <http://www.discount-equipment.com/category/5443-parts/> and choose one of the options to help get the right parts and equipment you are looking for. Please have the machine model and serial number available in order to help us get you the correct parts. If you don't find the part on the website or on one of the online manuals, please fill out the request form and one of our experienced staff members will get back to you with a quote for the right part that your machine needs.

We sell worldwide for the brands: Genie, Terex, JLG, MultiQuip, Mikasa, Essick, Whiteman, Mayco, Toro Stone, Diamond Products, Generac Magnum, Airman, Haulotte, Barreto, Power Blanket, Nifty Lift, Atlas Copco, Chicago Pneumatic, Allmand, Miller Curber, Skyjack, Lull, Skytrak, Tsurumi, Husquvarna Target, Stow, Wacker, Sakai, Mi-T-M, Sullair, Basic, Dynapac, MBW, Weber, Bartell, Bennar Newman, Haulotte, Ditch Runner, Menegotti, Morrison, Contec, Buddy, Crown, Edco, Wyco, Bomag, Laymor, EZ Trench, Bil-Jax, F.S. Curtis, Gehl Pavers, Heli, Honda, ICS/PowerGrit, IHI, Partner, Imer, Clipper, MMD, Koshin, Rice, CH&E, General Equipment, Amida, Coleman, NAC, Gradall, Square Shooter, Kent, Stanley, Tamco, Toku, Hatz, Kohler, Robin, Wisconsin, Northrock, Oztec, Toker TK, Rol-Air, APT, Wylie, Ingersoll Rand / Doosan, Innovatech, Con X, Ammann, Mecalac, Makinex, Smith Surface Prep, Small Line, Wanco, Yanmar

READ AND UNDERSTAND THE OPERATORS INSTRUCTION MANUAL THOROUGHLY BEFORE ATTEMPTING TO OPERATE THIS EQUIPMENT. Death or serious injury could occur if this machine is used improperly.



## SAFETY MESSAGES



The safety instructions are preceded by a graphic alert message of DANGER, WARNING, or CAUTION.



Indicates an imminent hazard which, if not avoided, will result in death or serious injury.



Indicates an imminent hazard which, if not avoided, can result in death or serious injury.



Indicates hazards which, if not avoided, could result in serious injury and or damage to the equipment.

## GASOLINE Powered Equipment



- Do not operate gasoline powered equipment without adequate ventilation. Carbon monoxide is an invisible, odorless gas that can kill.

## ELECTRICAL Powered Equipment



- ELECTRICAL HAZARD** - Be sure equipment is properly grounded. Failure to comply could kill or result in serious injury.



The engine exhaust from this product contains chemicals known to the State of California to cause cancer, birth defects or other reproductive harm.

## GENERAL INSTRUCTIONS



- You must read and understand the operators instruction manual and all other manuals associated with this machine. For your safety and the safety of others around you, it is extremely important to fully understand how to operate this machine in the way it was intended. Different model machines or older/newer versions of the same model may have different parts and controls that you need to understand. If instructions are not readable or available DO NOT USE this machine and contact Discount-equipment for a replacement Manual.
- You must be able to physically handle the bulk weight and power of this machine. If not properly controlled this machine can cause death or serious injury.
- Do not operate this machine in an impaired mental state. You must be able to exercise good judgement and reactions to maintain a safe working environment.
- This is a "one person" machine which means only one operator can be operating the machine at any one time. For the safety of others, maintain a safe operating distance to other personnel. Your work area should be defined and appropriately marked so bystanders and coworkers do not stand or walk near this machine and end up seriously injured by flying debris or exposing them to harmful noise or dust.
- This equipment is for Commercial use. Although this is a "one person" machine your work team should understand how to shut this machine off and quickly get medical help if an accident strikes the operator.
- Keep all guards in place during operation. The guards are to provide protection from inadvertent contact with dangerous moving parts, pinch points, or hot surfaces.
- Wear appropriate Personal Protective Equipment (PPE) including safety glasses, safety boots, work gloves, respiratory protection, hearing protection, and head protection. Do not wear loose clothing that can get tangled in moving parts. Failure to do so could result

in dismemberment or death. **Wear an approved respirator when removing hazardous materials or when grinding/cutting dry materials. Some dust particles such as concrete dust can contain silicate particles which can cause silicosis (a very serious lung disease). Contact NIOSH or OSHA for further details. When wet grinding/cutting, avoid contact with the concrete/asphalt slurry which can cause serious skin irritations.**

- You must maintain this machine per the maintenance schedule in the operator manual. Remember before adjusting, servicing, or fueling this machine, disconnect the source of power to the machine by disconnecting the spark plug (Gas models), or by unplugging the electrical power cord (electric models) or air hose (Pneumatic models) AT THE MACHINE so you can assure yourself it remains unplugged while you are working on it. Do not modify this machine. Use only genuine EDCO parts and accessories. Repairs and service should be performed by approved EDCO dealers or authorized technicians.
- You should look carefully around the area before you begin work so you can identify potential hazards such as deck inserts, pipes, columns, openings, electrical cords or outlets, or any other objects protruding from the slab surface.
- This machine has no brain so you must use your own. There is no substitute for safety. The safety decals on the machine are to serve as a reminder for information you must already know before you begin using this machine. Take a moment to reread the safety decals each time you use the machine. If your machine is missing any decals, contact Discount-equipment.

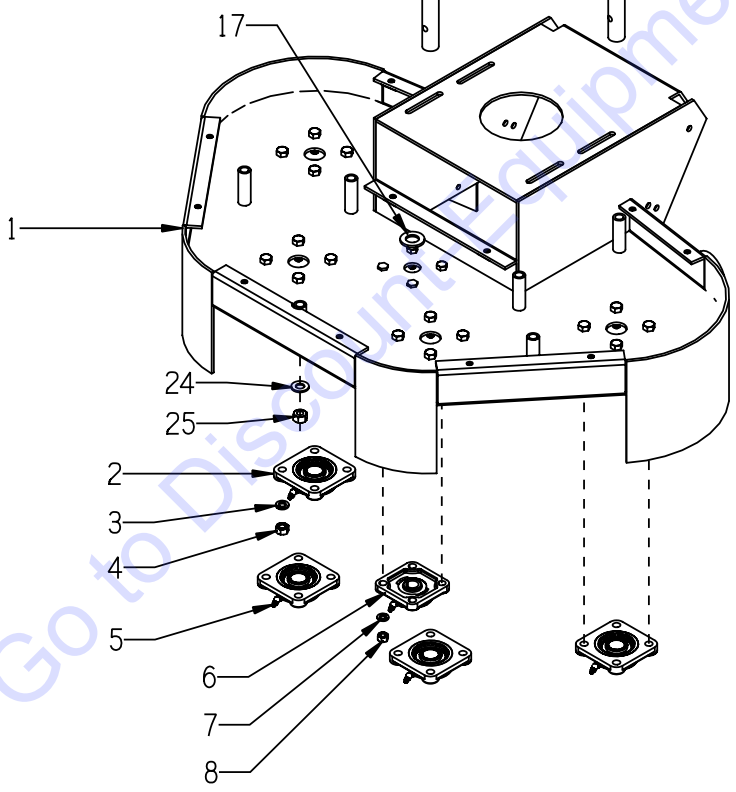
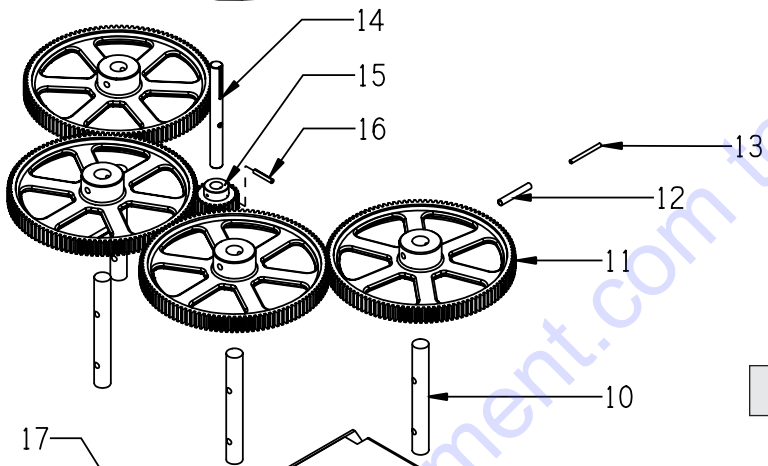
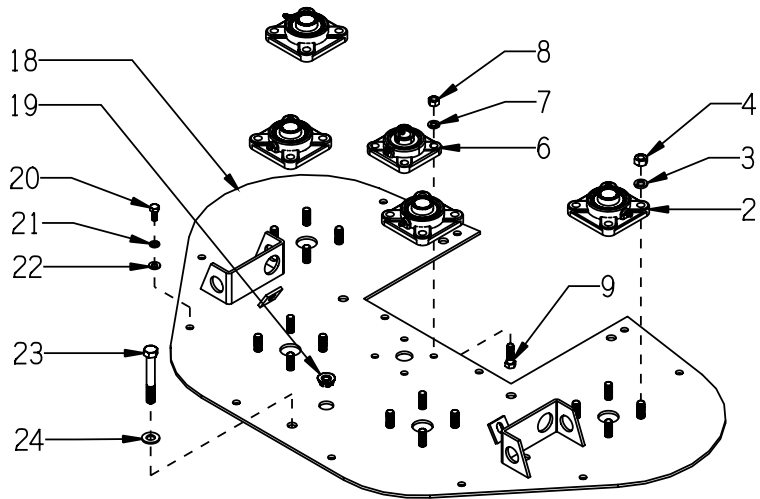
# PARTS LIST MANUAL

## MODEL 4-EC & 4-GC

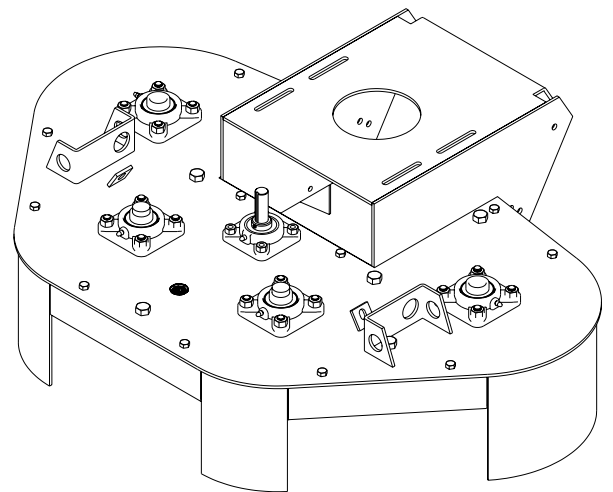
### Table of Contents

<u>Section</u>	<u>Page Number</u>
Safety Messages and General Instructions . . . . .	2
How To Order Replacement Parts. . . . .	3
Illustration 1: Gear Case Assembly. . . . .	4,5
Illustration 2: Multi-Accessory Disc Assembly . . . . .	6
Illustration 3: Multi-Accessory Disc Arrangement . . . . .	7
Illustration 4: Optional Surfacers Disc Assembly . . . . .	8
Illustration 5: Surfacers Disc Arrangement . . . . .	9
Illustration 6: Handle and Fork Grouping . . . . .	10, 11
Illustration 7: Skirt Grouping . . . . .	12
Illustration 8: Vacuum Port & Hose Grouping . . . . .	13
Illustration 9: Engine & Belt Drive Grouping . . . . .	14, 15
Illustration 10: Optional Propane Grouping. . . . .	16, 17
Illustration 11: Motor & Belt Drive Grouping. . . . .	18, 19
Illustration 12: Hood, Optional Weight Tray and Weight Blocks . . . . .	20
Illustration 13: Dyma-Sert Accessory . . . . .	21
Illustration 14: Strip-Sert Accessory . . . . .	22
Illustration 15: Scarifier Accessory . . . . .	23
Illustration 16: Other Accessories . . . . .	23
Illustration 17: Optional Pad Driver Disc Assembly . . . . .	24
Wiring Diagrams . . . . .	25, 26, 27
Notes / Repairs . . . . .	27
Limited Equipment Warranty of Sale - Terms & Conditions. . . . .	28 Back Page

**ILLUSTRATION 1 : GEAR CASE ASSEMBLY**

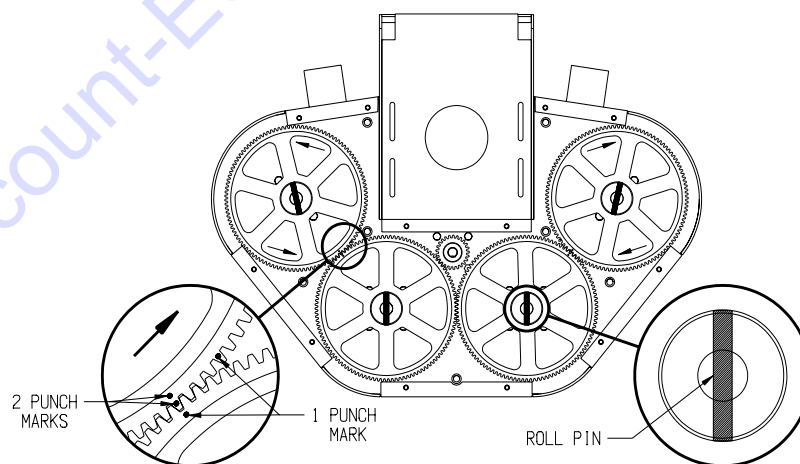


**GEAR CASE ASSEMBLED**

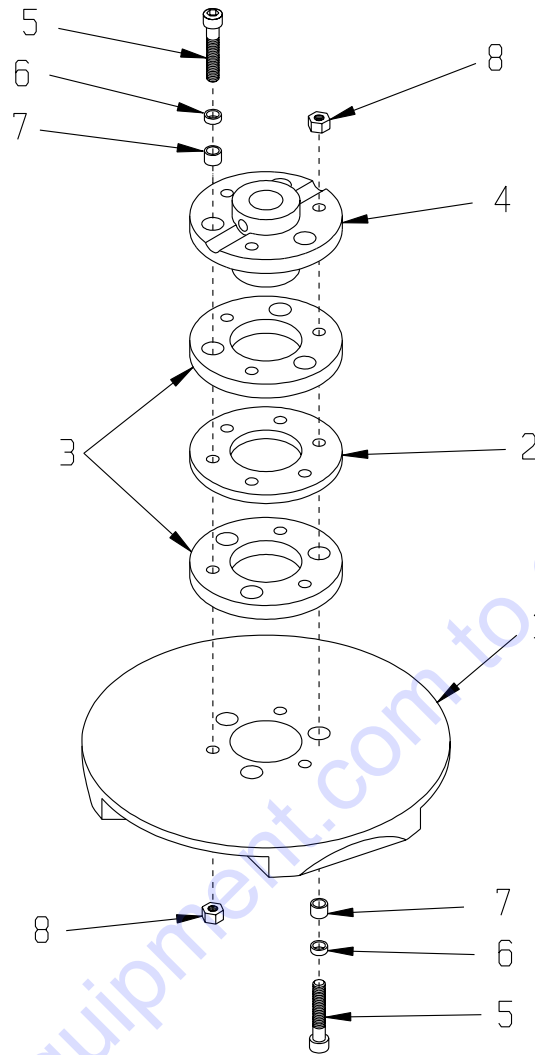


**PARTS LISTING - ILLUSTRATION 1 : GEAR CASE ASSEMBLY**

ITEM #	PART #	DESCRIPTION	QTY.
1	75030	MAIN FRAME	1
2	77008	BEARING, BALL 1" 4-HOLE FLANGE, ND	8
3	10450	WASHER, LOCK 7/16	32
4	10481	NUT 7/16-20	32
5	10960	FITTING, GREASE 1/4-28 X 45°	5
6	77009	BEARING, BALL 3/4" 4-HOLE FLANGE	2
7	10811	WASHER, LOCK 3/8	8
8	10014	NUT 3/8-24	8
9	10309	SCREW, CAP 3/8-24 X 1-1/4	4
10	77013	SHAFT, LARGE GEAR 1"DIA X 7-13/16"L	4
11	77012	GEAR, SPUR 112 TOOTH (DRIVEN)	4
12	10007	PIN, ROLL 3/8 X 2-1/2	4
13	63055	PIN, ROLL 7/32 X 2-1/2	4
14	77011	SHAFT, PINION GEAR 3/4DIA X 7-3/8"L	1
15	77053	GEAR, SPUR 25 TOOTH (PINION)	1
16	10037	PIN, ROLL 1/4 X 1-1/2	1
17	10009	WASHER, FLAT 3/4 SAE	1
18	75031	COVER, GEAR CASE	1
19	10005	PLUG, HOLE 7/8" (CHROME)	1
20	10806	SCREW, CAP 5/16-18 X 1	12
21	10801	WASHER, LOCK 5/16	12
22	10213	WASHER, FLAT 5/16 SAE	12
23	10324	SCREW, CAP 1/2-13 X 3-1/2	7
24	10312	WASHER, FLAT 1/2 SAE	14
25	10155	NUT, HEX NYLON LOCK 1/2-13	7

**GEAR ALIGNMENT****ALIGNMENT PROCEDURE:**

1. POSITION THE 4 LARGE GEARS SO THE ROLL PINS POINT STRAIGHT FROM THE FRONT TO THE REAR.
2. MARK THE GEARS WITH 1 PUNCH MARK WHERE THEY MEET WITH EACH OTHER.
3. COUNT 4 TEETH TOWARDS THE OUTER SIDE OF THE REAR GEARS AND MARK WITH 2 PUNCH MARKS.
4. ROTATE THE GEARS INWARD SO THE 2 PUNCH MARKS ALIGN WITH THE 1 PUNCH MARK ON THE FRONT GEARS.

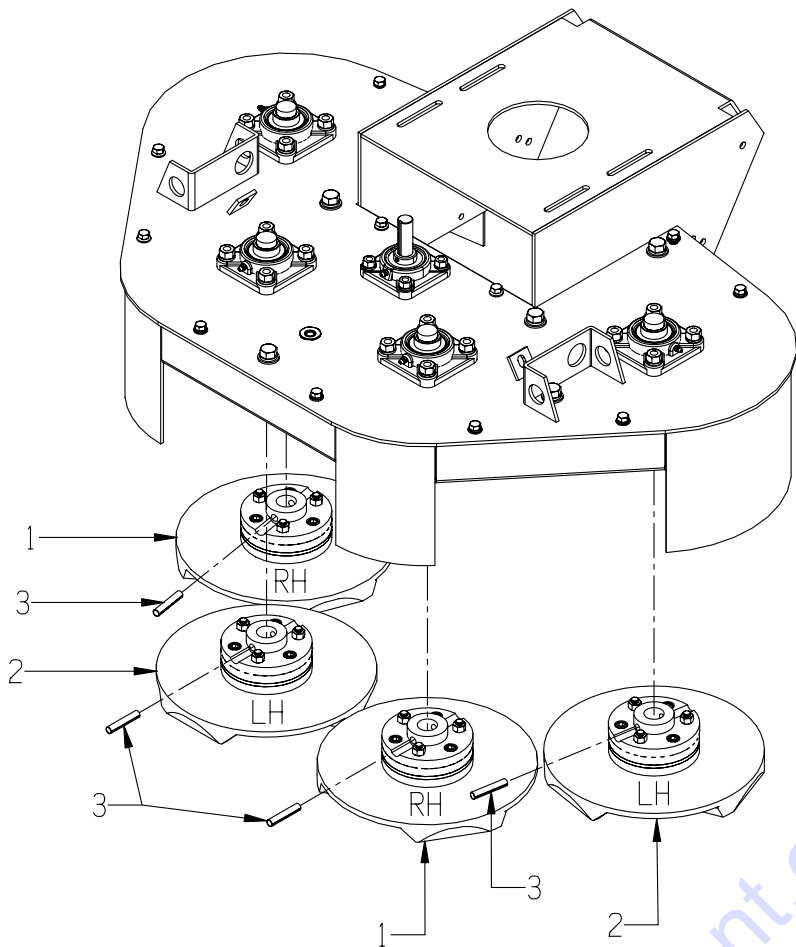
**ILLUSTRATION 2 : MULTI-ACCESSORY DISC ASSEMBLY**


ITEM #	PART #	DESCRIPTION	* QTY.
	8888	DISC ASSEMBLY COMPLETE, RIGHT-HAND (ITEMS 1 THRU 8)	2
	9999	DISC ASSEMBLY COMPLETE, LEFT-HAND (ITEMS 1 THRU 8)	2
1	77088 77099	MULTI-ACCESSORY DISC ONLY R.H. FOR 8888 ASSEMBLY L.H. FOR 9999 ASSEMBLY	1 1
2	77020	RING, HUB CARRIER, 6-HOLE	1
3	10112	RING, NEOPRENE, 4-1/2"OD X 1/2"THK	2
4	77010	HUB, ALUMINUM 6-HOLE (GRINDER)	1
5	10114	SCREW, SKT. HD. CAP 3/8-24 X 2-1/4	6
6	10113	SPACER, STEEL 9/16OD X 3/8ID X 7/32"	6
7	10011	SPACER, STEEL 5/8OD X 3/8ID X 3/8"	6
8	10058	NUT, LOCK 3/8-24 W/ NYLON PATCH	6

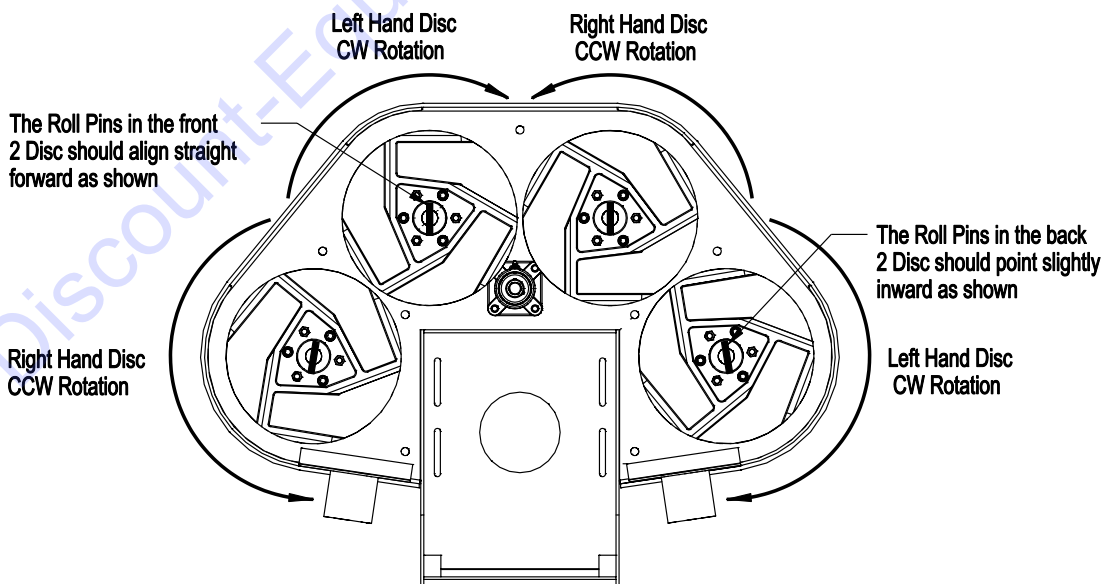
\*QUANTITIES FOR ITEMS 1 THRU 8 ARE PER EACH DISC ASSEMBLY  
2 RIGHT-HAND & 2 LEFT HAND DISC REQUIRED PER 4-DISC GRINDER

**ILLUSTRATION 3 :  
MULTI-ACCESSORY DISC ARRANGEMENT**

ITEM#	PART#	DESCRIPTION	QTY.
1	8888	MULTI-ACCY. DISC ASSEMBLY, RH	2
2	9999	MULTI-ACCY. DISC ASSEMBLY, LH	2
3	10063	PIN, ROLL 3/8 X 2	4



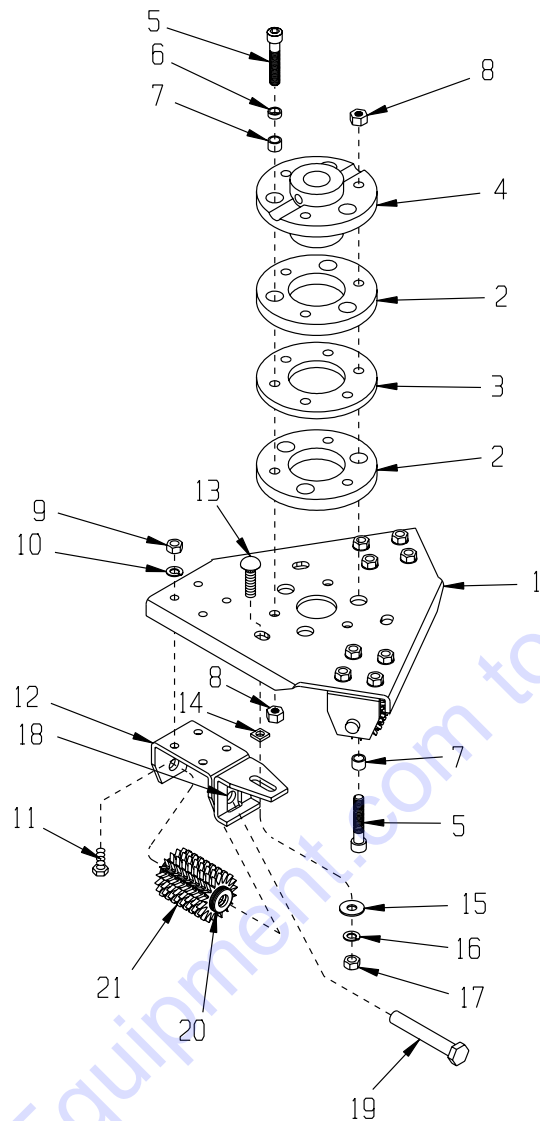
**INSTALL THE DISC IN THE ORIENTATION AS SHOWN BELOW**



**BOTTOM VIEW**

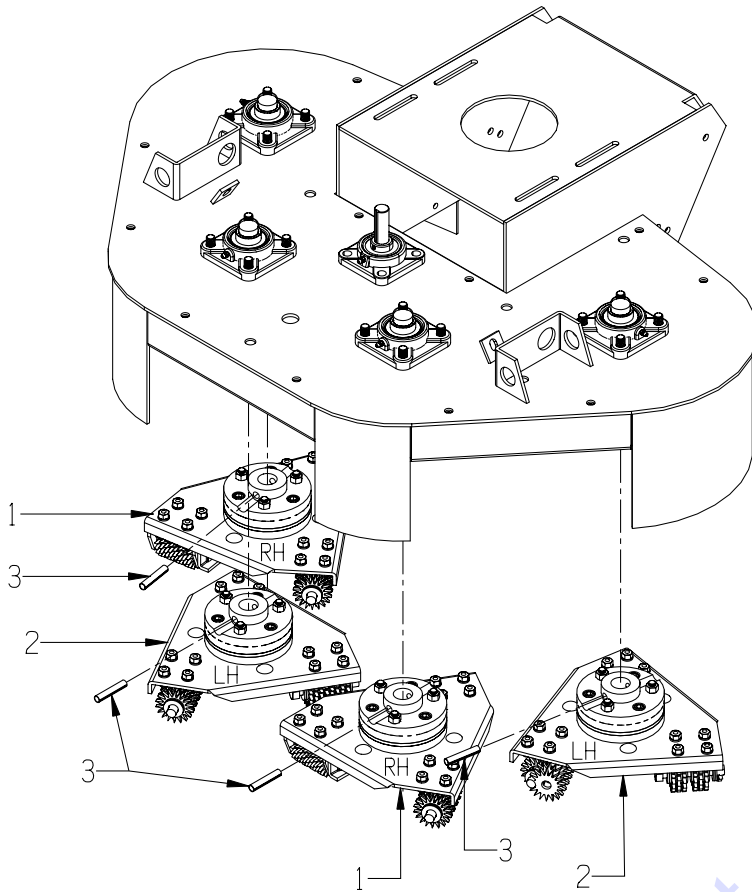


**ILLUSTRATION 4 : OPTIONAL SURFACER DISC ASSEMBLY**



Equipment.com to order your parts

ITEM #	PART #	DESCRIPTION	*QTY.	ITEM #	PART #	DESCRIPTION	*QTY.
	2222 2222C	DISC ASSEMBLY COMPLETE, R.H. W/ STEEL CUTTERS. W/ CARBIDE CUTTERS	2	10	10801	WASHER, LOCK 5/16	12
	3333 3333C	DISC ASSEMBLY COMPLETE, L.H. W/ STEEL CUTTERS W/ CARBIDE CUTTERS	2	11	10048	SCREW, CAP 5/16-24 X 3/4	12
1	77122 77133	DISC ONLY, SURFACER RIGHT HAND DISC LEFT HAND DISC	2 2	12	77074	HOLDER, CUTTER SHAFT	3
2	10112	RING, NEOPRENE 4-1/2"OD X 1/2"THK	2	13	10802	BOLT, CARRIAGE 3/8-16 X 1	3
3	77020	RING, HUB CARRIER, 6-HOLE	1	14	10089	CLIP, SPEED NUT 3/8	3
4	77010T	HUB, CAST IRON, 6-HOLE	1	15	10025	WASHER, FLAT 3/8 SAE	3
5	10114	SCREW, SKT. HD. CAP 3/8-24 X 2-1/4	6	16	10811	WASHER, LOCK 3/8	3
6	10113	SPACER, STL. 9/16OD X 3/8ID X 7/32	3	17	10404	NUT 3/8-16	3
7	10011	SPACER, STL. 5/8OD X 3/8ID X 3/8	6	18	77075	RETAINER, CUTTER SHAFT	3
8	10058	NUT, LOCK 3/8-24 W/ NYLON PATCH	6	19	77048	CG226 CUTTER SHAFT 1/2 X 3-1/4	3
9	10054	NUT 5/16-18	12	20	12230	CG227 SPACER 1/2"ID	33
				21	12206 20156	CUTTERWHEEL JRS501P 2" POINTED STEEL CP206T 1-3/4" 6-POINT CARBIDE	24 18
*QUANTITIES FOR ITEMS 2 THRU 21 ARE PER EACH DISC ASSEMBLY 2 RIGHT-HAND & 2 LEFT HAND DISC REQD. PER 4-DISC GRINDER							

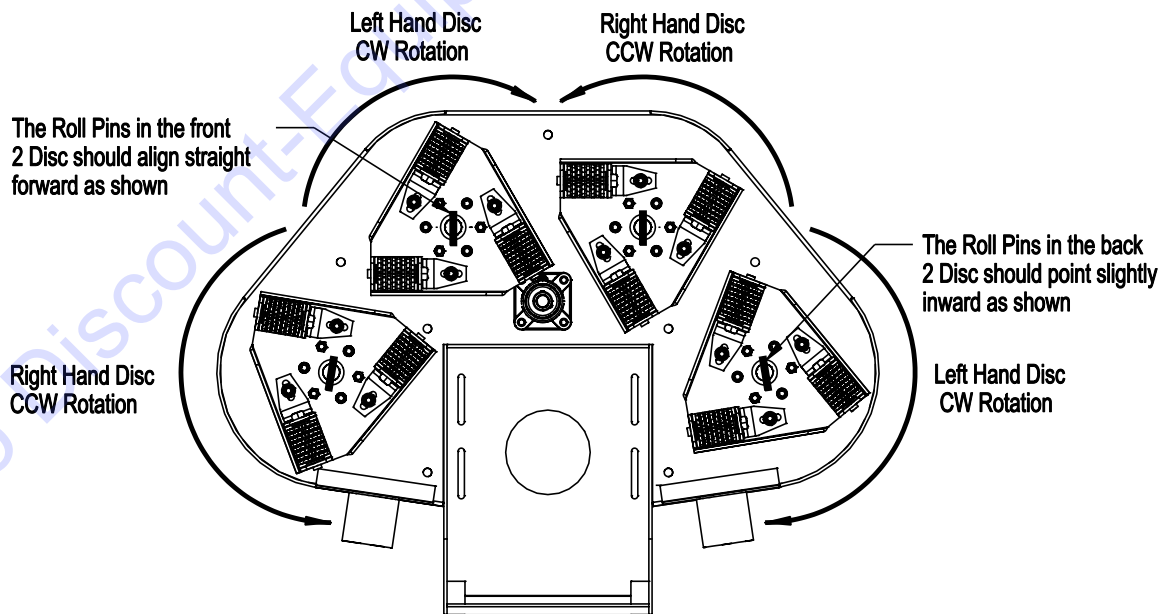


**ILLUSTRATION 5 :  
OPTIONAL  
SURFACER DISC ARRANGEMENT**

ITEM#	PART#	DESCRIPTION	QTY.
1	*2222	SURFACER DISC ASSEMBLY, RH	2
2	*3333	SURFACER DISC ASSEMBLY, LH	2
3	10063	PIN, ROLL 3/8 X 2	4

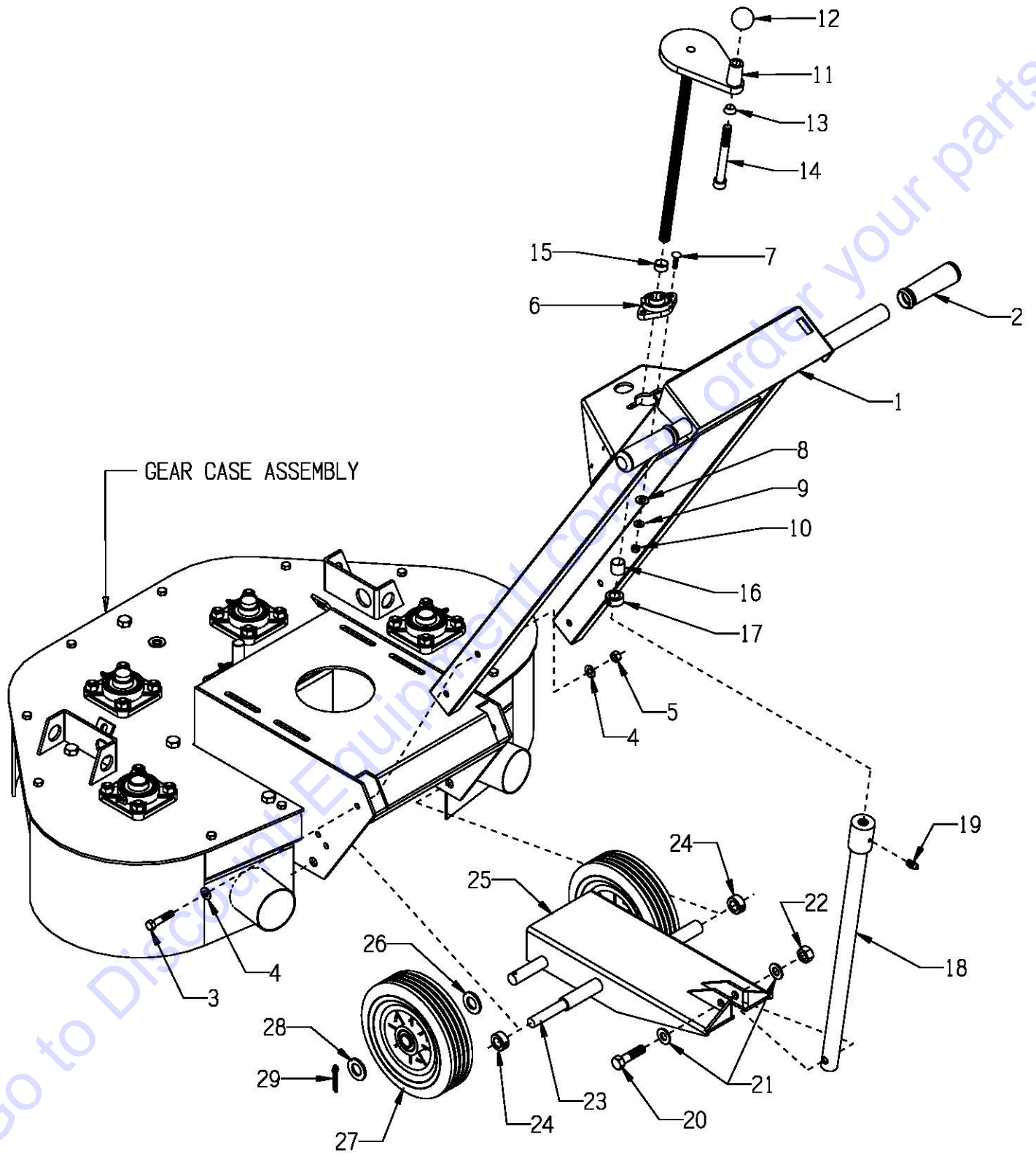
\* THESE PART NUMBERS ARE FOR THE ASSEMBLIES WITH STEEL CUTTERS. USE PART NUMBER 2222C AND 3333C FOR THE DISC WITH CARBIDE CUTTERS.

**INSTALL THE DISC IN THE ORIENTATION AS SHOWN BELOW**



**BOTTOM VIEW**

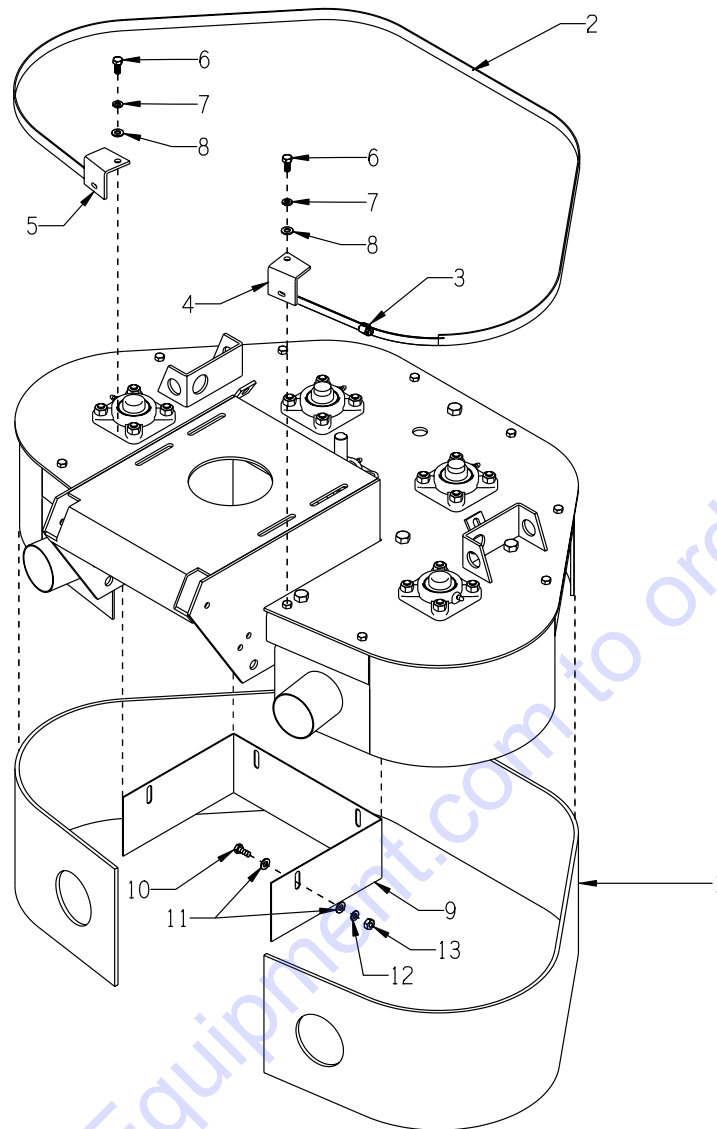
ILLUSTRATION 6: HANDLE AND FORK GROUPING



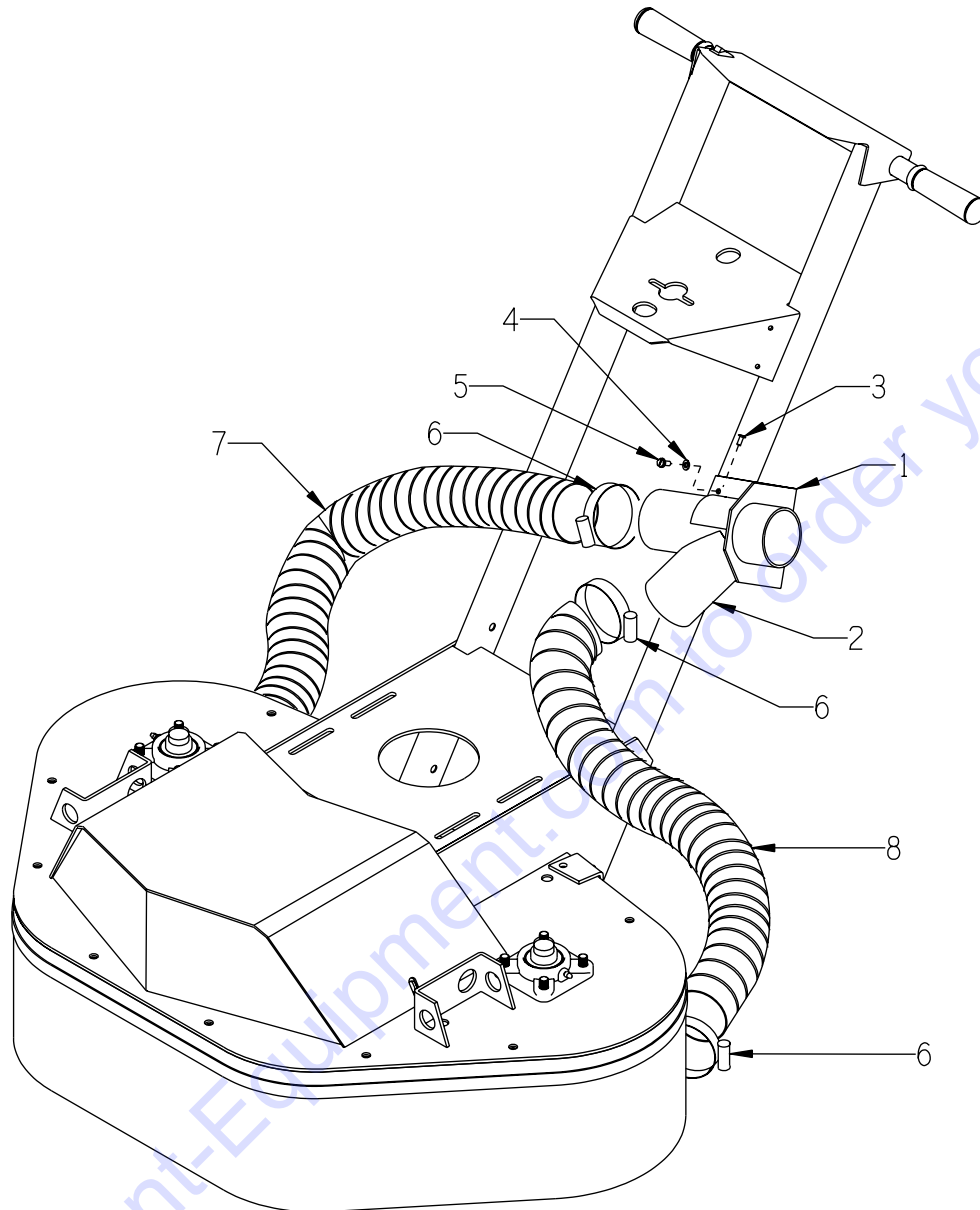
## PARTS LISTING - ILLUSTRATION 6 : HANDLE AND FORK GROUPING

ITEM #	PART #	DESCRIPTION	QTY.
1	75005	HANDLE BAR	1
2	10608	GRIP, HAND 1" MODEL AT	2
3	10029	SCREW, CAP 3/8-24 X 1-3/4	4
4	10025	WASHER, FLAT 3/8 SAE	8
5	10004	NUT, LOCK 3/8-24	8
6	80009	BEARING, BALL 5/8" 2-HOLE (NO G.F.)	1
7	10412	BOLT, CARRIAGE 1/4-20 X 1	2
8	10213	WASHER, FLAT 5/16 SAE	2
9	10602	WASHER, FLAT 1/4 SAE	2
10	10861	NUT, KEPS 1/4-20	2
11	75004	HANDWHEEL, LARGE W/ 5/8-8 X 16" ROD	1
12	14023	KNOB, BALL 1-3/8 W/ 1/2-13THD, BLK.	1
13	50550	SLEEVE FOR 1/2" CAPSCREW, TAPERED	1
14	10346	SCREW, SKT. HD. CAP 1/2-13 X 4-1/2	1
15	75012	SPACER, HANDWHEEL 5/8" ID X 3/8" L	1
16	55010	SPACER, HANDWHEEL 5/8" ID X 3/4" L	1
17	10096	COLLAR, LOCKING 5/8"	1
18	75006	LINKAGE, CUT CONTROL LOWER	1
19	10808	FITTING, GREASE 1/4-28 STRAIGHT	1
20	10322	SCREW, CAP 1/2-20 X 2	1
21	10312	WASHER, FLAT 1/2 SAE	2
22	10205	NUT, LOCK 1/2-20	1
23	75032	SHAFT, FORK PIVOT 5/8 X 13-3/4	1
24	10096	COLLAR, LOCKING 5/8"	2
25	75007	FORK	1
26	10009	WASHER, FLAT 3/4 SAE	2
27	79013	WHEEL 8 X 2-1/2 X 3/4" BRG	2
28	11597	WASHER .755" ID X 1.25" OD X .060" THK	2
29	10306	PIN, COTTER 3/16 X 1-1/2	2

## ILLUSTRATION 7: SKIRT GROUPING

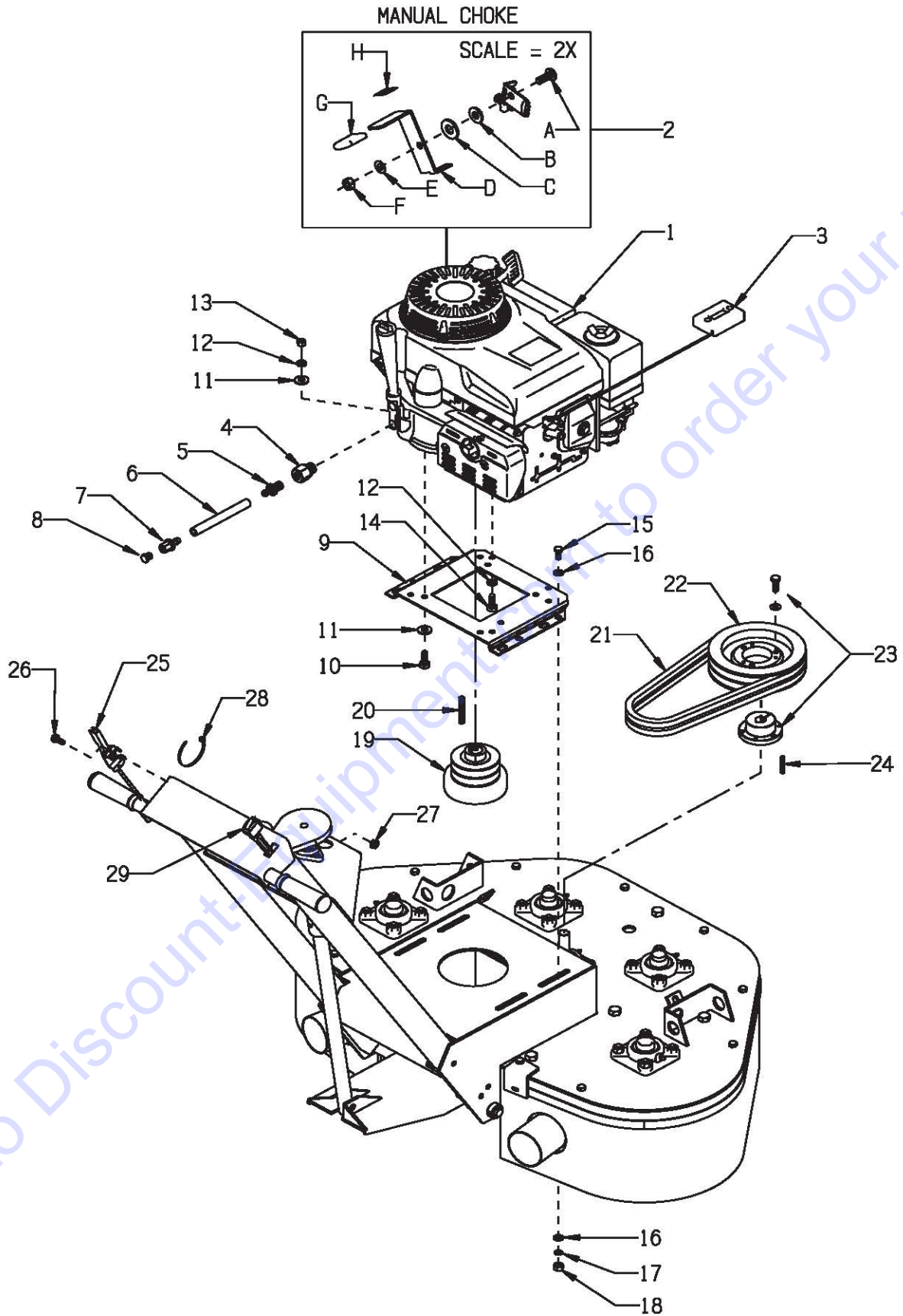


ITEM #	PART #	DESCRIPTION	QTY.
1	75033	RUBBER SKIRT 8-1/2 x 90-1/2	1
2	75122	BAND 76", FRONT	1
3	75144	CLAMP, MODIFIED SAE#200	1
4	75121	BRACKET, SKIRT RIGHT BAND	1
5	75120	BRACKET, SKIRT LEFT BAND	1
6	10806	SCREW, CAP 5/16-18 X 1	2
7	10801	WASHER, LOCK 5/16	2
8	10213	WASHER, FLAT 5/16 SAE	2
9	75011	PANEL, CENTER SKIRT	1
10	10053	SCREW, CAP 5/16-18 X 3/4	4
11	10213	WASHER, FLAT 5/16 SAE	8
12	10801	WASHER, LOCK 5/16	4
13	10054	NUT 5/16-18	4

**ILLUSTRATION 8 : VACUUM PORT & HOSE GROUPING**


ITEM #	PART #	DESCRIPTION	QTY.
1	75017	MOUNT BRKT., Y-FITTING	1
2	75018	FITTING, 3" Y	1
3	12113	RIVET, BLIND 3/16 X .440"L X .375HD	2
4	10038	WASHER, LOCK 1/4 SAE	2
5	10846	SCREW, CAP STSHW 1/4-20 X 1/2	2
6	10849	CLAMP, HOSE, SAE #52, ADJ. TO 3-3/4	4
7	75023	HOSE, FLEX 3"ID X 24"L	1
8	75022	HOSE, FLEX 3"ID X 36"L	1

ILLUSTRATION 9: ENGINE & BELT DRIVE GROUPING



**PARTS LISTING - ILLUSTRATION 9 : ENGINE & BELT DRIVE GROUPING**

ITEM #	PART #	DESCRIPTION	QTY.
1	76004	ENGINE, HONDA GXV340UT2-DX3 WITH STANDARD DUAL ELEMENT AIR CLEANER	1
2	15190	MANUAL CHOKE KIT FOR HONDA GXV340	1
2-A	15185	SCREW, MACHINE M6 X 16MM PHILLIP HD	1
2-B	15188	WASHER .265"ID, .50"OD, .029-.035"THK	1
2-C	15187	WASHER, FIBER .75 X .25 X .093	1
2-D	15183	LEVER, CHOKE CONTROL, GXV340	1
2-E	15186	WASHER, BELLEVILLE .500 X.255 X.018	1
2-F	28026	NUT, HEX NYLON LOCK M6 X 1MM	1
2-G	15184	CAP, FLAT RED .062 X .75 X 1	1
2-H	91301	DECAL, CHOKE 5/8 X 5/8	1
3	15138	METER, HOUR, REDINGTON INDUCTIVE (OPTIONAL)	1
4	11689	ADAPTER, 20MM X 1.5 TO 1/4FPT	1
5	10657	BARB, PUSH-ON 3/8HOSE X 1/4MPT	1
6	52121	HOSE, PUSH-ON 3/8"ID X 5-1/2"L	1
7	11544	BARB, PUSH-ON 3/8 HOSE X 1/4FPT	1
8	10776	PIPE PLUG 1/4 NPT (BRASS)	1
9	76023A	MOUNT, ENGINE	1
10	10342	SCREW, CAP 5/16-18 X 1-1/2	2
11	10213	WASHER, FLAT 5/16 SAE	4
12	10801	WASHER, LOCK 5/16	4
13	10054	NUT 5/16-18	2
14	10048	SCREW, CAP 5/16-24 X 3/4	2
15	10021	SCREW, CAP 3/8-24 X 1	4
16	10025	WASHER, FLAT 3/8 SAE	8
17	10811	WASHER, LOCK 3/8	4
18	10014	NUT 3/8-24	4
19	76024	CLUTCH, CENTRIFUGAL 3.5 X 2GR X 1	1
20	----	KEY 1/4"SQ. (INCLUDED W/ ENGINE)	1
21	80025	BELT BX-32 COG	2
22	75010	SHEAVE 6.9"OD X 2GR.B X SDS	1
23	10036	BUSHING, SHEAVE SDS X 3/4"BORE	1
24	10016	KEY 3/16SQ X 1-1/2	1
25	3611	CABLE, THROTTLE, LEVER-TYPE 54"	1
26	10830	SCREW, MACHINE 10-32 X 1/2	2
27	10832	NUT, KEPS 10-32	2
28	10982	TIE, CABLE, BLACK NYLON 11-1/4"	2
29	15201A	SWITCH W/ WIRES, ROCKER RED ON-OFF	1



# PARTS FINDER

**Search Website  
by Part Number**



**Search Manual  
Library For Parts  
Manual & Lookup Part  
Numbers – Purchase  
or Request Quote**

**Search Manuals**

Enter your information to help us find the right parts manual for your machine.

\* Brand:

\* Model:

\* Serial:

\* Part Number:

SEARCH

**Can't Find Part or  
Manual? Request Help  
by Manufacturer,  
Model & Description**

**Parts Order Form**

Please fill in the following information to help us find the right part for your machine.

Manufacturer:	<input type="text"/>
Model:	<input type="text"/>
Description:	<input type="text"/>
Part Number:	<input type="text"/>
Quantity:	<input type="text"/>
Notes:	<input type="text"/>

Submit

Discount-Equipment.com is your online resource for quality parts & equipment.

Florida: **561-964-4949** Outside Florida TOLL FREE: **877-690-3101**

**Need parts?**

Click on this link: <http://www.discount-equipment.com/category/5443-parts/> and choose one of the options to help get the right parts and equipment you are looking for. Please have the machine model and serial number available in order to help us get you the correct parts. If you don't find the part on the website or on one of the online manuals, please fill out the request form and one of our experienced staff members will get back to you with a quote for the right part that your machine needs.

We sell worldwide for the brands: Genie, Terex, JLG, MultiQuip, Mikasa, Essick, Whiteman, Mayco, Toro Stone, Diamond Products, Generac Magnum, Airman, Haulotte, Barreto, Power Blanket, Nifty Lift, Atlas Copco, Chicago Pneumatic, Allmand, Miller Curber, Skyjack, Lull, Skytrak, Tsurumi, Husquvarna Target, Stow, Wacker, Sakai, Mi-T-M, Sullair, Basic, Dynapac, MBW, Weber, Bartell, Bennar Newman, Haulotte, Ditch Runner, Menegotti, Morrison, Contec, Buddy, Crown, Edco, Wyco, Bomag, Laymor, EZ Trench, Bil-Jax, F.S. Curtis, Gehl Pavers, Heli, Honda, ICS/PowerGrit, IHI, Partner, Imer, Clipper, MMD, Koshin, Rice, CH&E, General Equipment, Amida, Coleman, NAC, Gradall, Square Shooter, Kent, Stanley, Tamco, Toku, Hatz, Kohler, Robin, Wisconsin, Northrock, Oztec, Toker TK, Rol-Air, APT, Wylie, Ingersoll Rand / Doosan, Innovatech, Con X, Ammann, Mecalac, Makinex, Smith Surface Prep, Small Line, Wanco, Yanmar

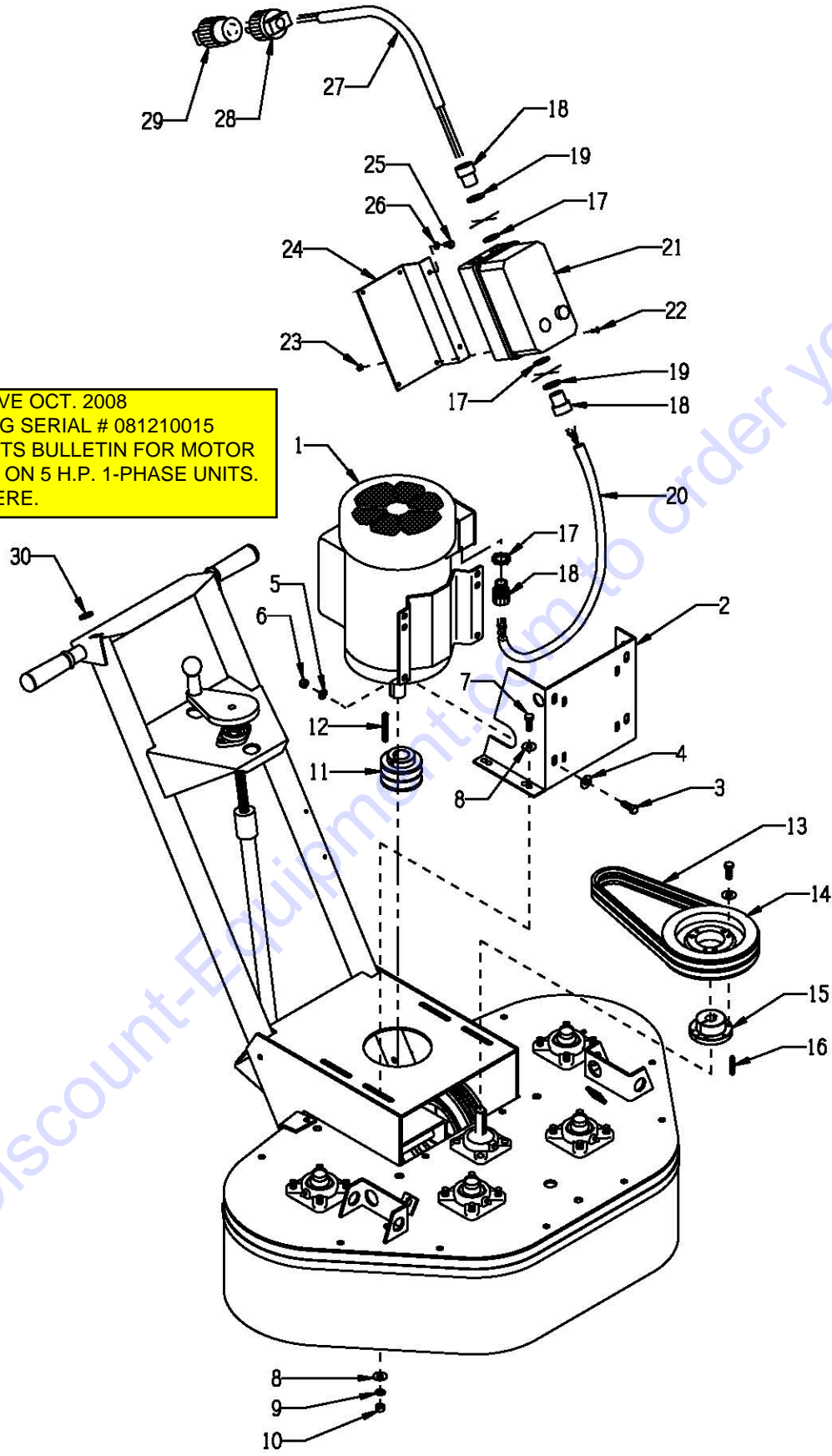


**PARTS LISTING - ILLUSTRATION 10: OPTIONAL PROPANE GROUPING**

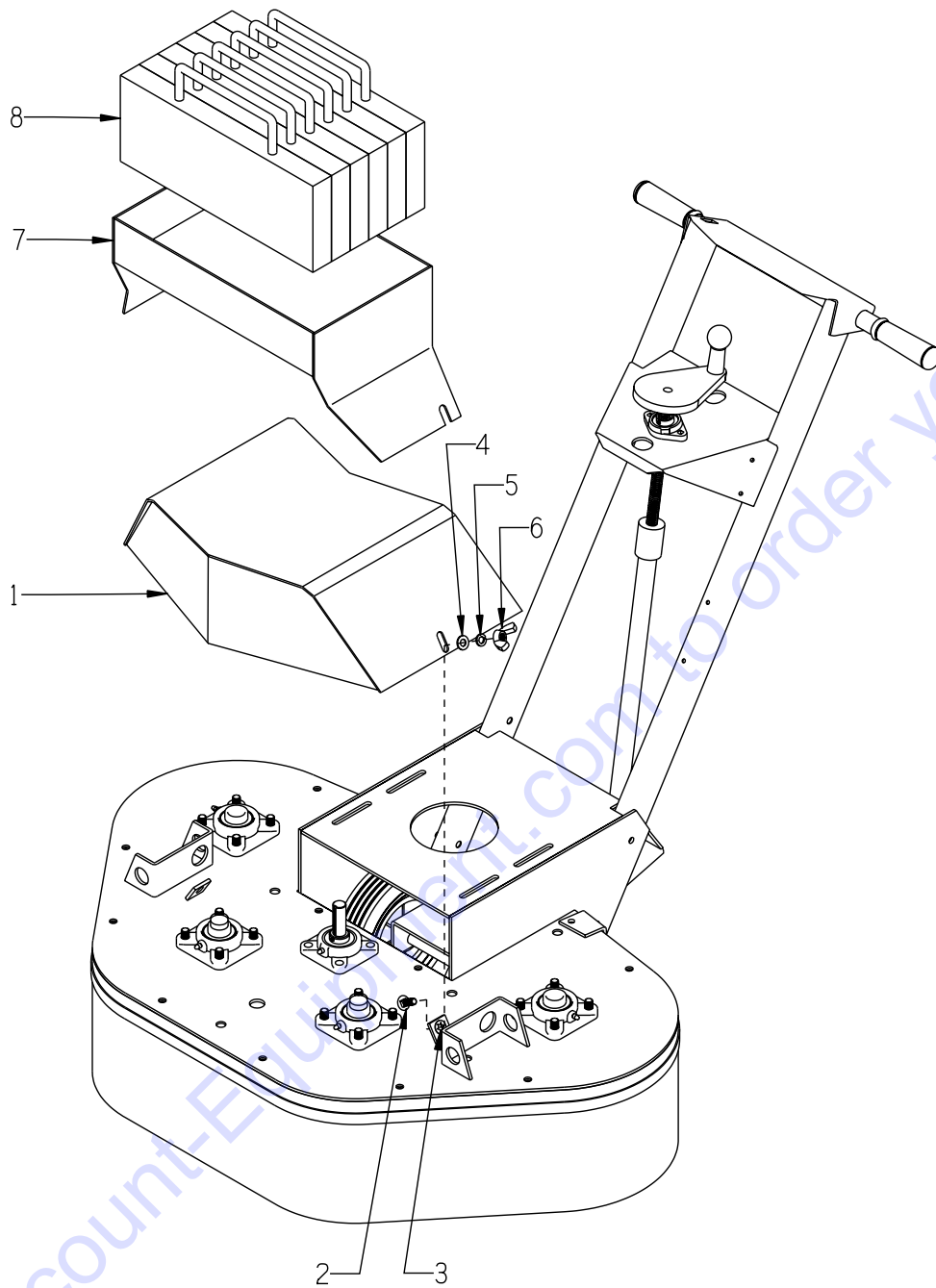
ITEM #	PART #	DESCRIPTION	QTY.
1	15012	ENGINE, HONDA GXV340T2-DP23 PROPANE	1
2	15126	STARTER KIT, ELECTRIC 120 VOLT AC	1
3	10031	SCREW, CAP 1/4-20 X 1	2
4	10602	WASHER, FLAT 1/4 SAE	6
5	10861	NUT, KEPS 1/4-20	2
6	77262	SCREW, CAP M6 X 1.0P X 18MM	2
7	10038	WASHER, LOCK 1/4	2
8	10602	WASHER, FLAT 1/4 SAE	2
9	77251	NUT M6 X 1.0MM PITCH	2
10	15102	VAPOR KIT FOR HONDA GXV340T2-DP23 KIT INCLUDES: DRY-GAS REGULATOR, VACUUM FUELOCK-FILTER, FITTINGS, HOSES, CLAMPS, AND PLASTIC TIE WRAPS	1
11	75021	BRKT., PROP. REG./FUEL-LOCK FILTER	1
12	10806	SCREW, CAP 5/16-18 X 1	2
13	10213	WASHER, FLAT 5/16 SAE	2
14	10801	WASHER, LOCK 5/16	2
15	10054	NUT 5/16-18	2
16	15130	PROPANE TANK 20LB. HORZ.	1
17	91122	DECAL, ARROW, RED, 3 X 3	1
18	77061	PROPANE TANK MOUNT COMPLETE (INCLUDES ITEMS 19 - 24)	1
19	77061-2	PROPANE TANK STRAP W/ HINGE	1
20	11661	SCREW, FLAT HD SLT 1/4-20 X 1	2
21	77061-1	PROPANE TANK CRADLE BRACKET ONLY	1
22	77061-3	PROPANE TANK CLAW BRACKET	1
23	10861	NUT, KEPS 1/4-20	2
24	77061-4	PROPANE TANK TOGGLE CLAMP	1
25	10802	BOLT, CARRIAGE 3/8-16 X 1 FULL THD.	4
26	10025	WASHER, FLAT 3/8 SAE (NOT SHOWN)	4
27	10811	WASHER, LOCK 3/8 (NOT SHOWN)	4
28	10404	NUT 3/8-16 (NOT SHOWN)	4

ILLUSTRATION 11: MOTOR & BELT DRIVE GROUPING

EFFECTIVE OCT. 2008  
STARTING SERIAL # 081210015  
SEE PARTS BULLETIN FOR MOTOR  
CHANGE ON 5 H.P. 1-PHASE UNITS.  
CLICK HERE.

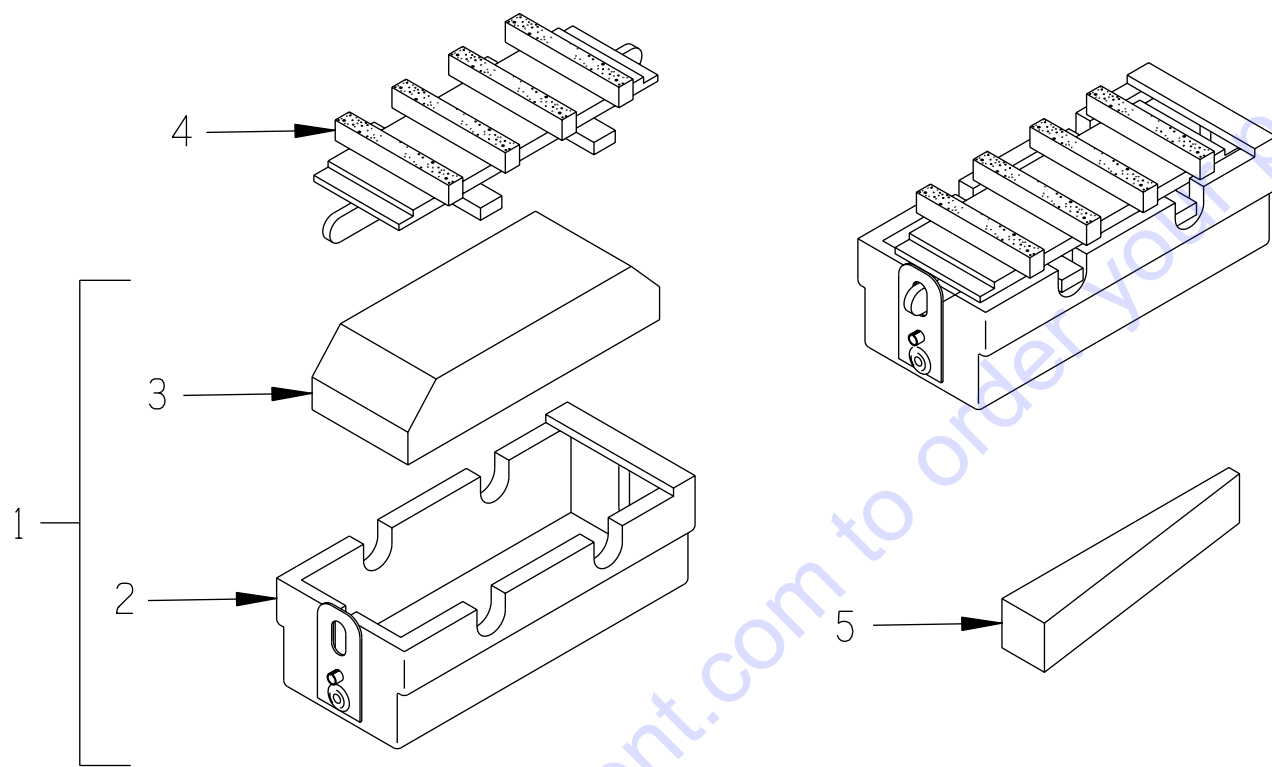


<b>PARTS LISTING - ILLUSTRATION 11 : MOTOR &amp; BELT DRIVE GROUPING</b>			
ITEM #	PART #	DESCRIPTION	QTY.
1	81026 16164 16121 81022 16020	MOTOR, BALDOR 5HP-1PH 60HZ 230V 3450RPM (REPLACEMENT CAPACITORS BELOW) REPLACEMENT RUN CAPACITOR 40MFD 370V (1 REQ'D.) REPLACEMENT START CAPACITOR 161-193MFD 250V (2 REQ'D.) 5HP-3PH 60HZ 230/460V 3450RPM 5HP-3PH 50HZ 220/380/440V 2850RPM	1
2	77037	MOUNT, MOTOR	1
3	10021	SCREW, CAP 3/8-24 X 1	4
4	10025	WASHER, FLAT 3/8 SAE	8
5	10811	WASHER, LOCK 3/8	4
6	10014	NUT 3/8-24	4
7	10021	SCREW, CAP 3/8-24 X 1	4
8	10025	WASHER, FLAT 3/8 SAE	8
9	10811	WASHER, LOCK 3/8	4
10	10014	NUT 3/8-24	4
11	79023	SHEAVE 3"OD X 2GR.B X 1-1/8"BORE	1
12	-----	KEY 1/4"SQ (INCLUDED W/ MOTOR)	1
13	10035	BELT 5L-330	2
14	75010	SHEAVE 6.9"OD X 2GR.B X SDS	1
15	10036	BUSHING, SHEAVE SDS X 3/4"BORE	1
16	10016	KEY 3/16SQ X 1-1/2	1
17	10740	CONDUIT LOCK NUT 3/4 NP	3
18	10959	STRAIN RELIEF 3/4 NPT X .550-.650"	3
19	77081	WASHER, FLAT 1-1/2 X 1-1/16 X .06	2
20	86024 86023	WIRE HARNESS WIRE HARNESS 10/3 X 42"LOA (1-PHASE UNITS) WIRE HARNESS 12/4 X 42"LOA (3-PHASE UNITS)	1
21	16410 16460 16406 16405 16482	STARTER 11-M1-BRF-P30-26-23060 (1-PHASE, 60HZ, 230V UNITS) 11-M1-BRF-P23-15-23060 (3-PHASE, 60HZ, 230V UNITS) 11-M1-BRF-P14-10-46060 (3-PHASE, 50/60HZ, 440/460V UNITS) 11-M1-BRF-P23-23-23060 (3-PHASE, 50HZ, 220V UNITS) 11-M1-BRF-P14-10-38050 (3-PHASE, 50HZ, 380V UNITS)	1
22	10362	SCREW, MACHINE 8-32 X 3/4	4
23	10462	NUT, KEPS 8-32	4
24	86027	MOUNTING BRKT., LOVATO M1 STARTER	1
25	10846	SCREW, CAP STSHW 1/4-20 X 1/2	2
26	10038	WASHER, LOCK 1/4	2
27	86026 86022	WIRE HARNESS WIRE HARNESS 10/3 X 24"LOA (1-PHASE UNITS) WIRE HARNESS 12/4 X 24"LOA (3-PHASE UNITS)	1
*28	40037	PLUG, LOCKING 20A/250V L6-20P	1
*29	40000	CONNECTOR, LOCKING 20A/250V L6-20R	1
30	15204	PLUG, RECT. HOLE, PLASTIC SNAP-IN	1
* PLUG & CONNECTOR (ITEMS 28 & 29) ARE NOT INCLUDED WITH 3-PHASE UNITS			

**ILLUSTRATION 12 : HOOD, OPTIONAL WEIGHT TRAY & WEIGHT BLOCKS**


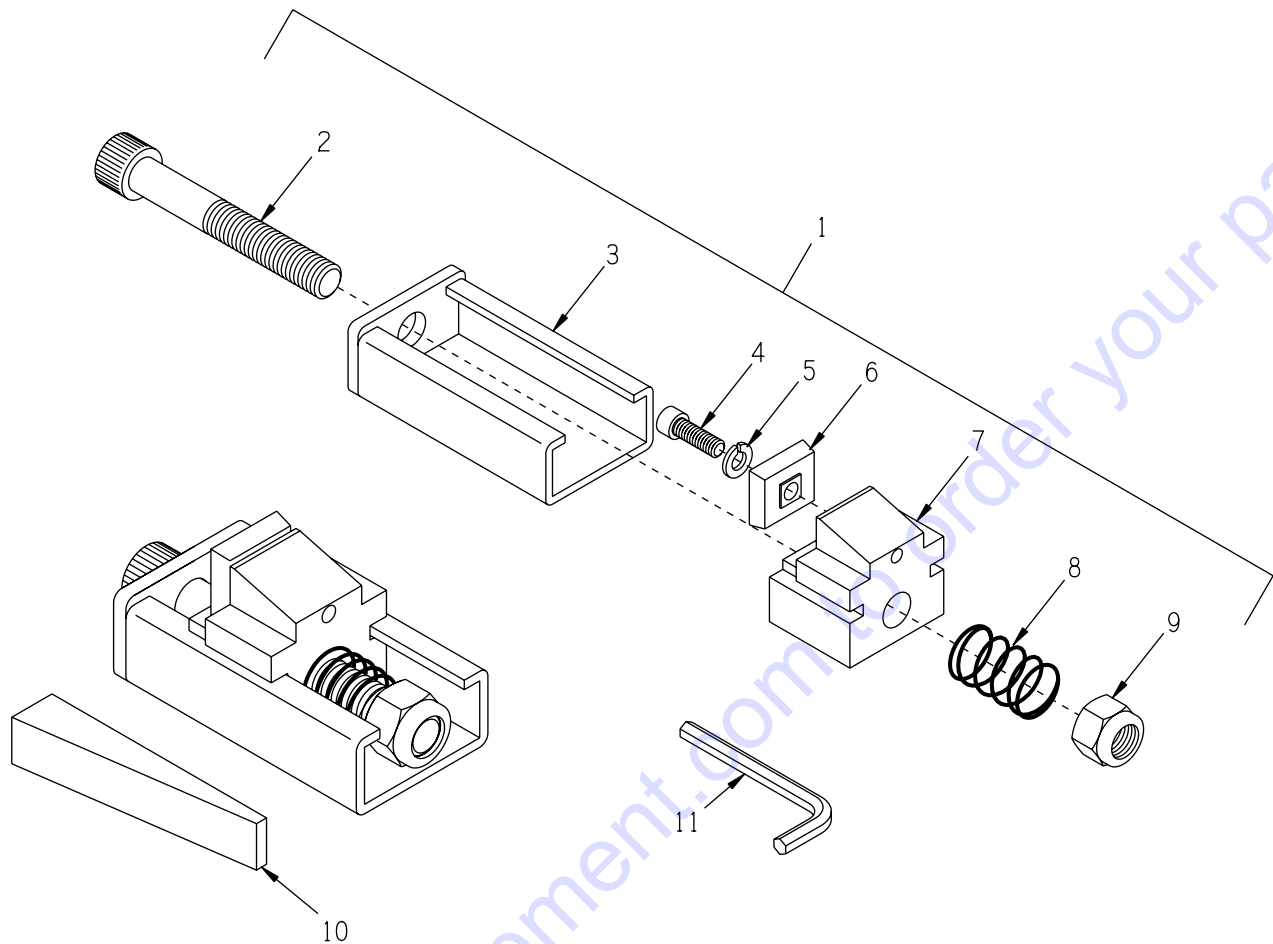
ITEM #	PART #	DESCRIPTION	QTY.
1	75001	HOOD	1
2	10802	BOLT, CARRIAGE 3/8-16 X 1 FULL THD.	2
3	10468	NUT, PUSH 3/8" (RETAINING CLIP)	2
4	10025	WASHER, FLAT 3/8 SAE	2
5	10811	WASHER, LOCK 3/8	2
6	10903	NUT, WING 3/8-16	2
7	75050	WT-2 WEIGHT HOLDING TRAY (OPTIONAL)	1
8	77506	WEIGHT BLOCK, 40 LB. (OPTIONAL)	6

**ILLUSTRATION 13 : DYMA-SERT™ ACCESSORY**



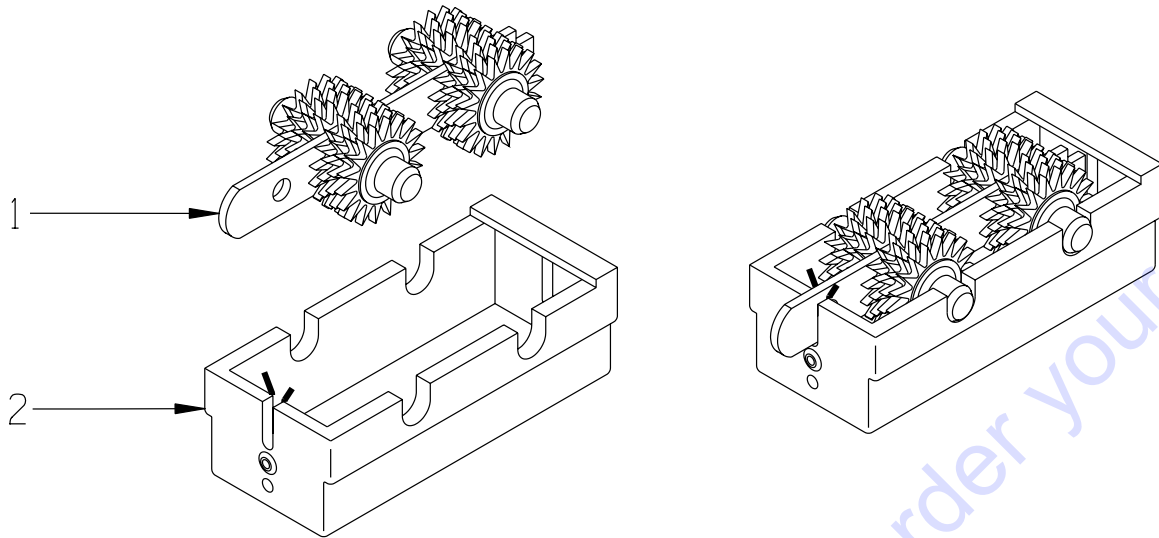
ITEM #	PART #	DESCRIPTION	*QTY.
1	19120	CG221D DYMA-SERT HOLDING CASE W/PAD (ITEMS 2 AND 3)	12
2	19121	DYMA-SERT HOLDING CASE (INCLUDES CLIP & RIVET)	1
3	19140	RUBBER SHOCK PAD, DYMA-SERT	1
4	----	DYMA-SERT ASSEMBLY (SOLD SEPARATLY)	12
	19110	EG-1X, 30-40 GRIT (GENERAL PURPOSE)	
	19130	EG-2X, 30-40 GRIT (ABRASIVE CONCRETE)	
	19180	EG-3X, 30-40 GRIT (EPOXY MORTARS)	
	19250	EG-5X, 50 GRIT (TERRAZZO)	
	19260	EG-7X, 80 GRIT (TERRAZZO)	
	19270	EG-9X, 120 GRIT (TERRAZZO)	
5	12160	WEDGE CG225, HARDWOOD	12
* QUANTITIES FOR ITEMS 1, 4, AND 5 ARE PER 4-DISC GRINDER QUANTITIES FOR ITEMS 2 & 3 ARE PER EACH DYMA-SERT ACCESSORY			

## ILLUSTRATION 14 : STRIP-SERT™ ACCESSORY

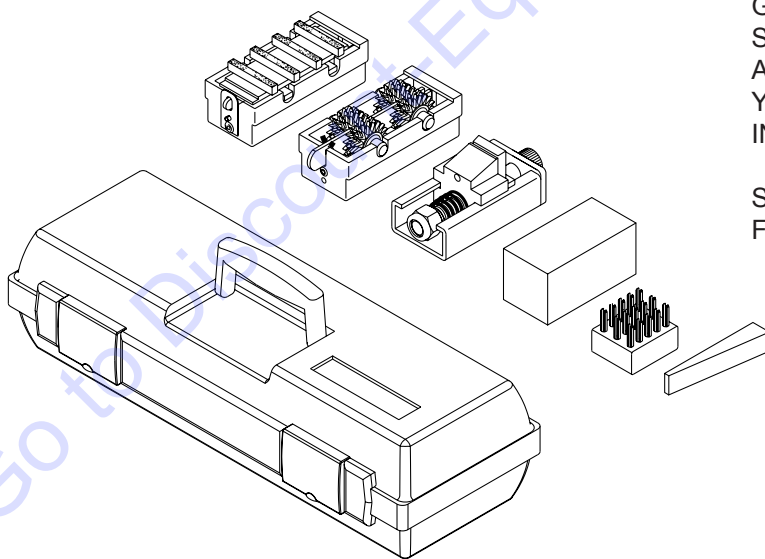


ITEM #	PART #	DESCRIPTION	*QTY.
1	12400 12401	STRIP-SERT ASSEMBLY ASSEMBLY WITH PRO TUNGSERT (ITEMS 2 THRU 9) ASSEMBLY WITHOUT PRO TUNGSERT, ITEM 6	12
2	12405	SCREW, SKT.HD.CAP 1/2-13 X 3.5,GR.5	1
3	12404	TUNGSERT HOLDER BOX, STRIP-SERT	1
4	11573	SCREW, SKT. HD. CAP 1/4-20 X 3/4	1
5	11688	WASHER, HI-COLLAR LOCK .26ID X .363	1
6 or	12402 12407	PRO TUNGSERT, 4 SIDED CARBIDE PRO TUNGSERT PACKAGE (SIX OF ITEMS 4, 5, 6 & ONE OF ITEM 11)	1
7	12403	TUNGSERT BLOCK, STRIP-SERT	1
8	12406	SPRING, COMP. .765"OD X 1.25"FL	1
9	10155	NUT, HEX NYLON LOCK 1/2-13	1
10	12160	WEDGE CG225, HARDWOOD	1
11	12413	WRENCH, HEX L-KEY 3/16", SHORT-ARM	1
* QUANTITIES FOR ITEM 1, IS PER 4-DISC GRINDER QUANTITIES FOR ITEMS 2 THRU 9 ARE PER EACH STRIP-SERT ACCESSORY			



**ILLUSTRATION 15 : SCARIFIER ACCESSORY**

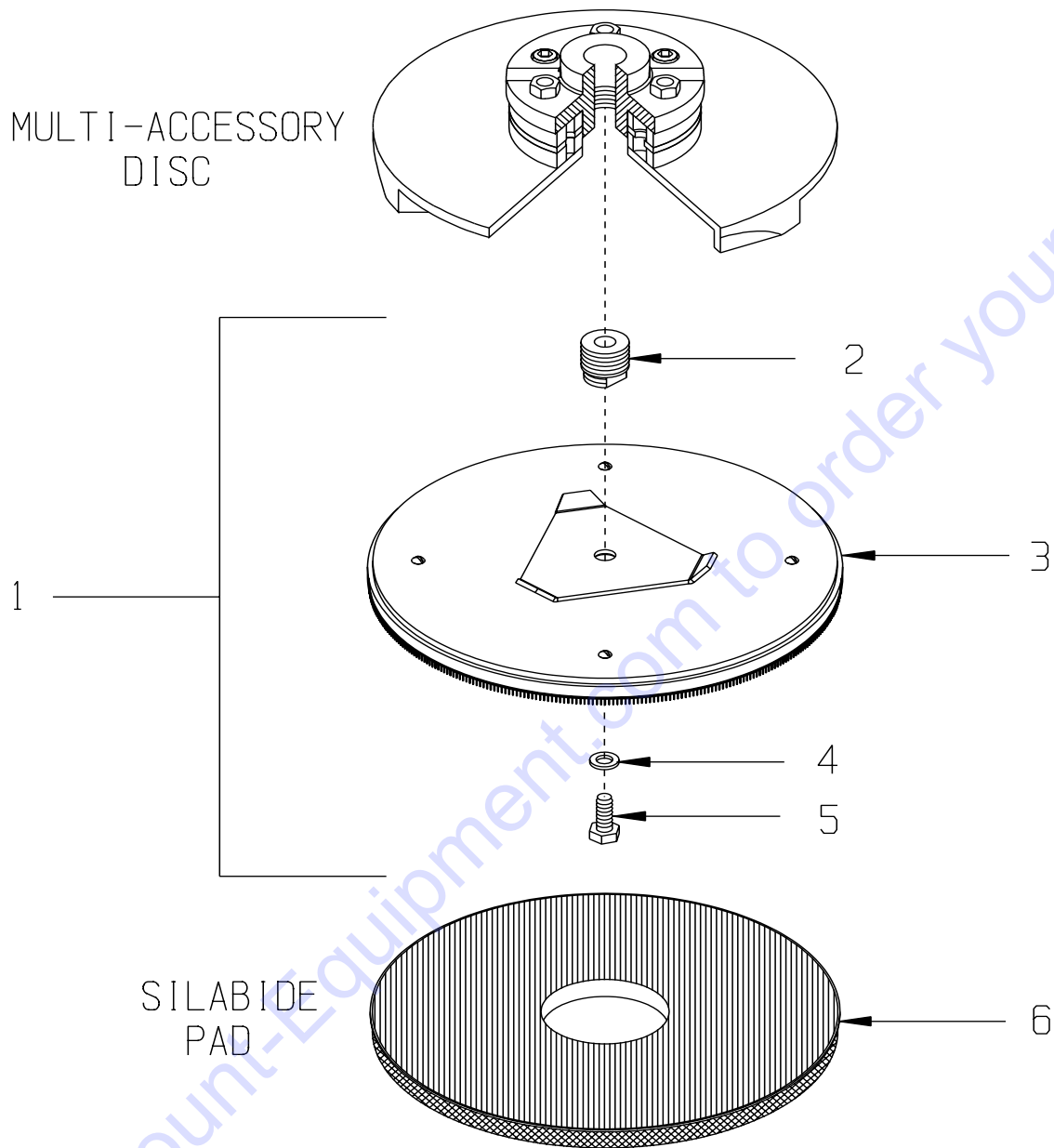
ITEM #	PART #	DESCRIPTION	*QTY.
1	12120 12130	THROW-A-WAY SCRAIFIER CG222 TAW SCARIFIER, STANDARD CG223 TAW SCARIFIER, HEAVY DUTY	12
2	12114	CG221 SCARIFIER HOLDING CASE	12
* QUANTITIES ARE PER 4-DISC GRINDER			

**ILLUSTRATION 16 : OTHER ACCESSORIES**

GRINDING STONES, WIRE BRUSHES, SILABIDE PADS, START-UP PACKS AND OTHER ACCESSORIES ARE AVAILABLE. REFER TO PRICE LIST CATALOG OR CALL YOUR LOCAL EDCO REPRESENTATIVE FOR MORE INFORMATION.

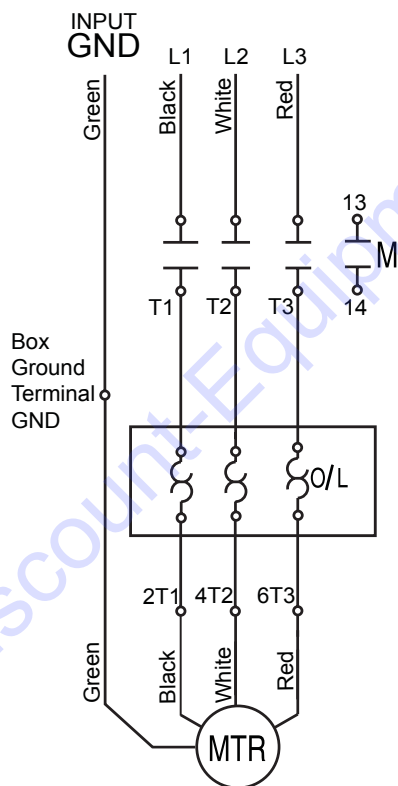
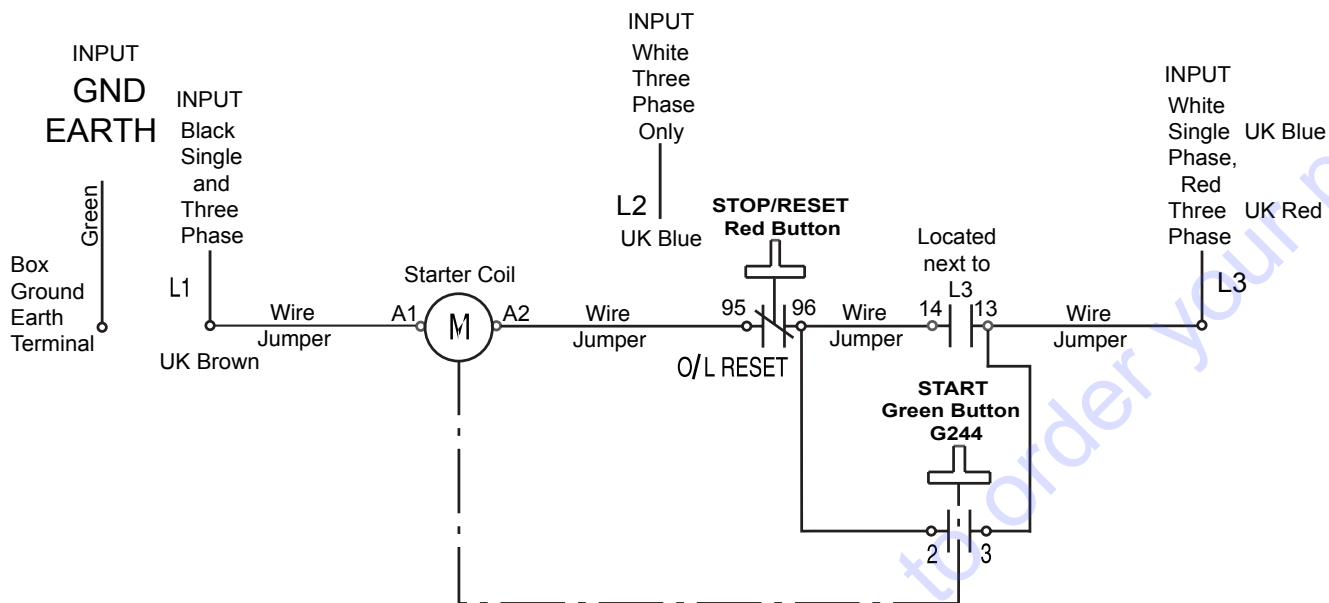
SEE ILLUSTRATION 18 FOR OPTIONAL PAD DRIVER FOR THE SILABIDE PADS.

**ILLUSTRATION 17 : OPTIONAL PAD DRIVER DISC ASSEMBLY**

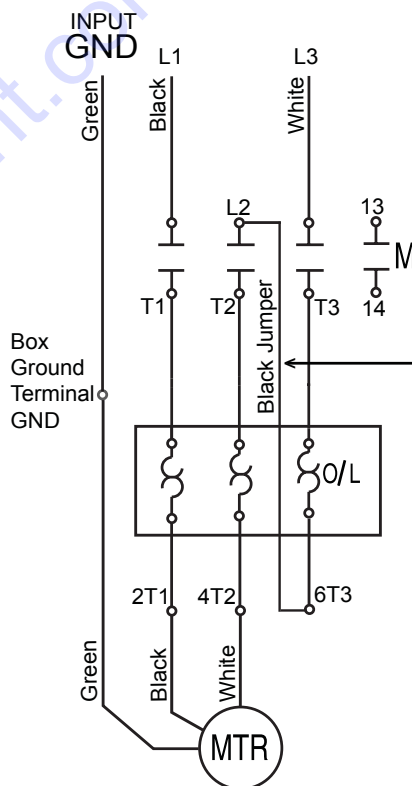


ITEM #	PART #	DESCRIPTION	*QTY.
1	76040	PAD DRIVER DISC ASSEMBLY (INCLUDES ITEMS 2 THRU 5)	4
2	76042	HUB STUD, PAD DRIVER (GRINDER)	1
3	76041	DISC ONLY 11", PAD DRIVER	1
4	10312	WASHER, FLAT 1/2 SAE	1
5	10304	SCREW, CAP 1/2-20 X 1	1
6	13013	SILABIDE PAD, 11" MEDIUM (NOT INCLUDED W/ ASSEMBLY)	4
*QUANTITIES FOR ITEMS 2 THRU 5 ARE PER EACH DISC ASSEMBLY QUANTITIES FOR ITEMS 1 AND 6 ARE PER 4-DISC GRINDER			

**STARTER BOX WIRING DIAGRAM**

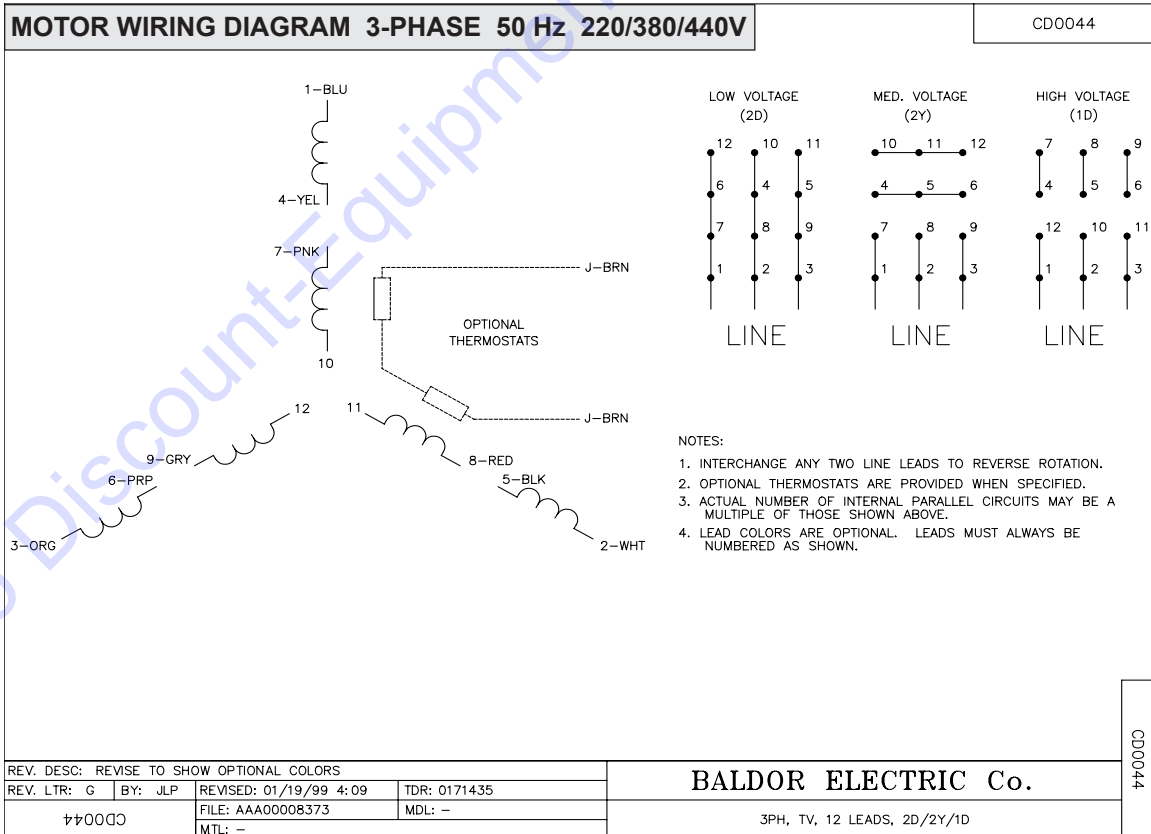
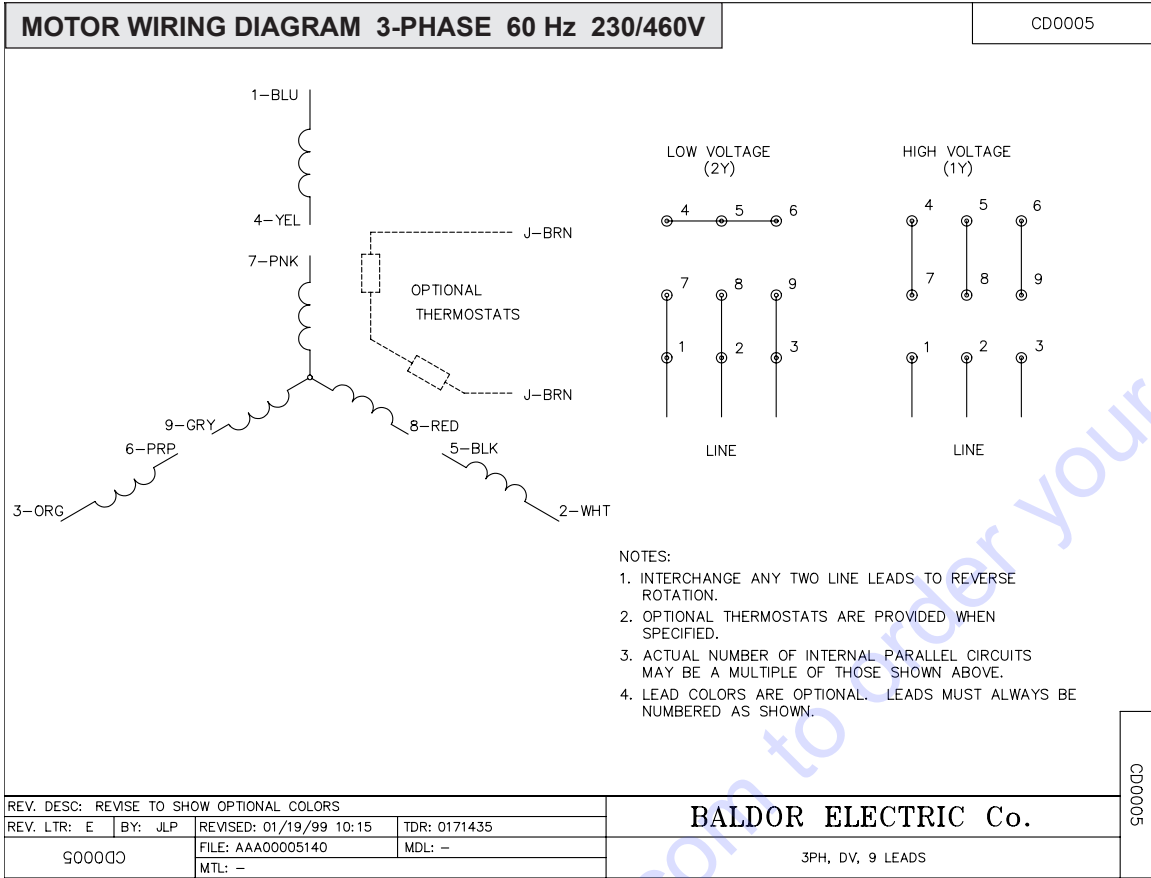


**THREE PHASE**



**SINGLE PHASE**

Black Jumper Wire must be same gauge as input and output AC wiring, Single Phase only ! Not used on three phase systems !







A Division of Equipment Development Company, Inc.

# PARTS BULLETIN

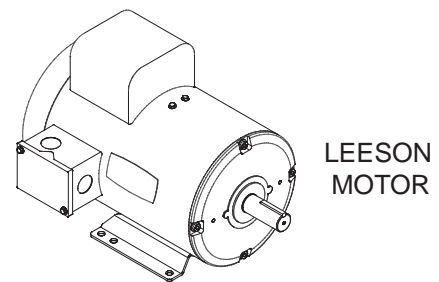
## MOTOR TYPE CHANGE ON 5 H.P. 1-PHASE ELECTRIC EQUIPMENT EFFECTIVE OCT. 2008, STARTING W/ S/N 081010202

Leeson Motor (Cat. No. 131549) replaces Baldor (Cat. No. L3608T) on the following Equipment:

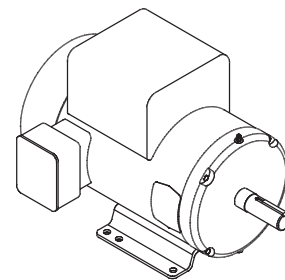
- CPM8 Scarifier/Planer
- TG10 Turbo Grinder
- 4EC Concrete Floor Grinder
- DS18 Walk Behind Saw
- SB14 Walk Behind Saw
- C10 Crack Saw
- MS20 Masonry Saw

The Model Suffix for this Power Option will be 5L/230/1 (5HP Leeson/230 Volt/Single Phase).  
Example: CPM8-5L/230/1

SPECIFICATION CHART		
	LEESON Cat. No. 131549	BALDOR Cat. No. L3608T
Part Number	16069	81026
Horse Power	5	5
Phase	1	1
Hertz	60	60
Volts	230	230
Full Load Amps	19.8	19.5
RPM	3500	3450
Frame	184T	184T
Shaft	1-1/8"	1-1/8"
Weight	93 Lbs.	86 Lbs.



LEESON MOTOR



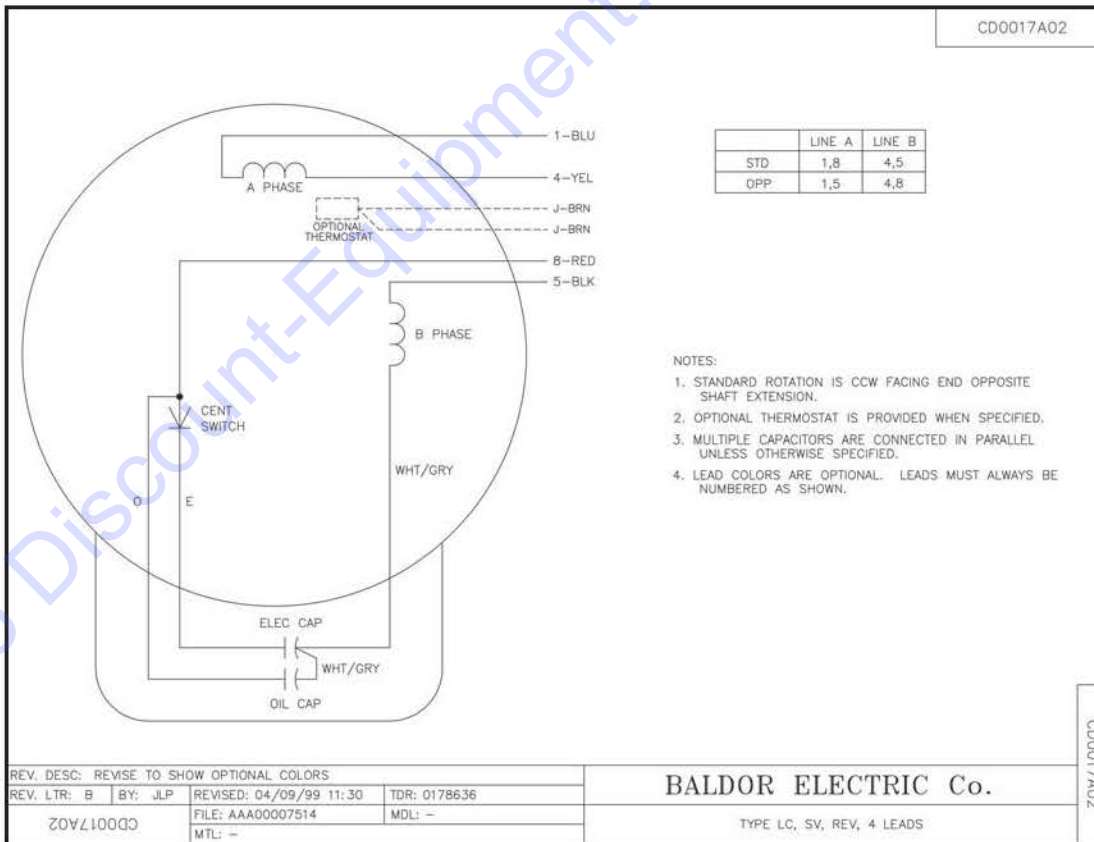
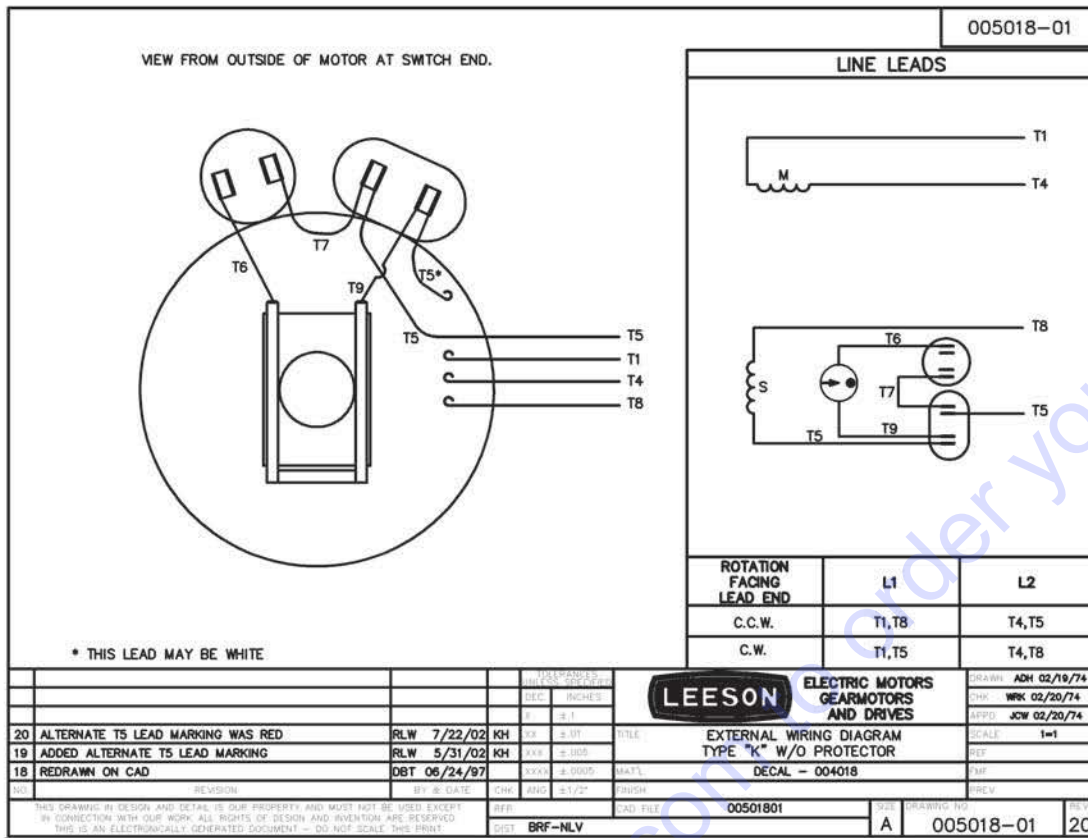
BALDOR MOTOR

**REPLACEMENT CAPACITORS FOR LEESON MOTOR:**

PART # 16521 - START CAPACITOR, LEESON 003049.04 390MFD 250V

PART # 16522 - RUN CAPACITOR, LEESON 003050.05 45MFD 370V

See the reverse side of this page for the Wiring Diagrams for these Motors.



# PARTS FINDER

**Search Website  
by Part Number**



**Search Manual  
Library For Parts  
Manual & Lookup Part  
Numbers – Purchase  
or Request Quote**

**Search Manuals**

Enter your information to help us find the right parts manual for your machine.

\* Brand:

\* Model:

\* Serial:

\* Part Number:

SEARCH

**Can't Find Part or  
Manual? Request Help  
by Manufacturer,  
Model & Description**

**Parts Order Form**

Please fill in the following information to help us find the right part for your machine.

Manufacturer:	<input type="text"/>
Model:	<input type="text"/>
Description:	<input type="text"/>
Part Number:	<input type="text"/>
Quantity:	<input type="text"/>
Notes:	<input type="text"/>

Submit

Discount-Equipment.com is your online resource for quality parts & equipment.

Florida: **561-964-4949** Outside Florida TOLL FREE: **877-690-3101**

**Need parts?**

Click on this link: <http://www.discount-equipment.com/category/5443-parts/> and choose one of the options to help get the right parts and equipment you are looking for. Please have the machine model and serial number available in order to help us get you the correct parts. If you don't find the part on the website or on one of the online manuals, please fill out the request form and one of our experienced staff members will get back to you with a quote for the right part that your machine needs.

We sell worldwide for the brands: Genie, Terex, JLG, MultiQuip, Mikasa, Essick, Whiteman, Mayco, Toro Stone, Diamond Products, Generac Magnum, Airman, Haulotte, Barreto, Power Blanket, Nifty Lift, Atlas Copco, Chicago Pneumatic, Allmand, Miller Curber, Skyjack, Lull, Skytrak, Tsurumi, Husquvarna Target, Stow, Wacker, Sakai, Mi-T-M, Sullair, Basic, Dynapac, MBW, Weber, Bartell, Bennar Newman, Haulotte, Ditch Runner, Menegotti, Morrison, Contec, Buddy, Crown, Edco, Wyco, Bomag, Laymor, EZ Trench, Bil-Jax, F.S. Curtis, Gehl Pavers, Heli, Honda, ICS/PowerGrit, IHI, Partner, Imer, Clipper, MMD, Koshin, Rice, CH&E, General Equipment, Amida, Coleman, NAC, Gradall, Square Shooter, Kent, Stanley, Tamco, Toku, Hatz, Kohler, Robin, Wisconsin, Northrock, Oztec, Toker TK, Rol-Air, APT, Wylie, Ingersoll Rand / Doosan, Innovatech, Con X, Ammann, Mecalac, Makinex, Smith Surface Prep, Small Line, Wanco, Yanmar