

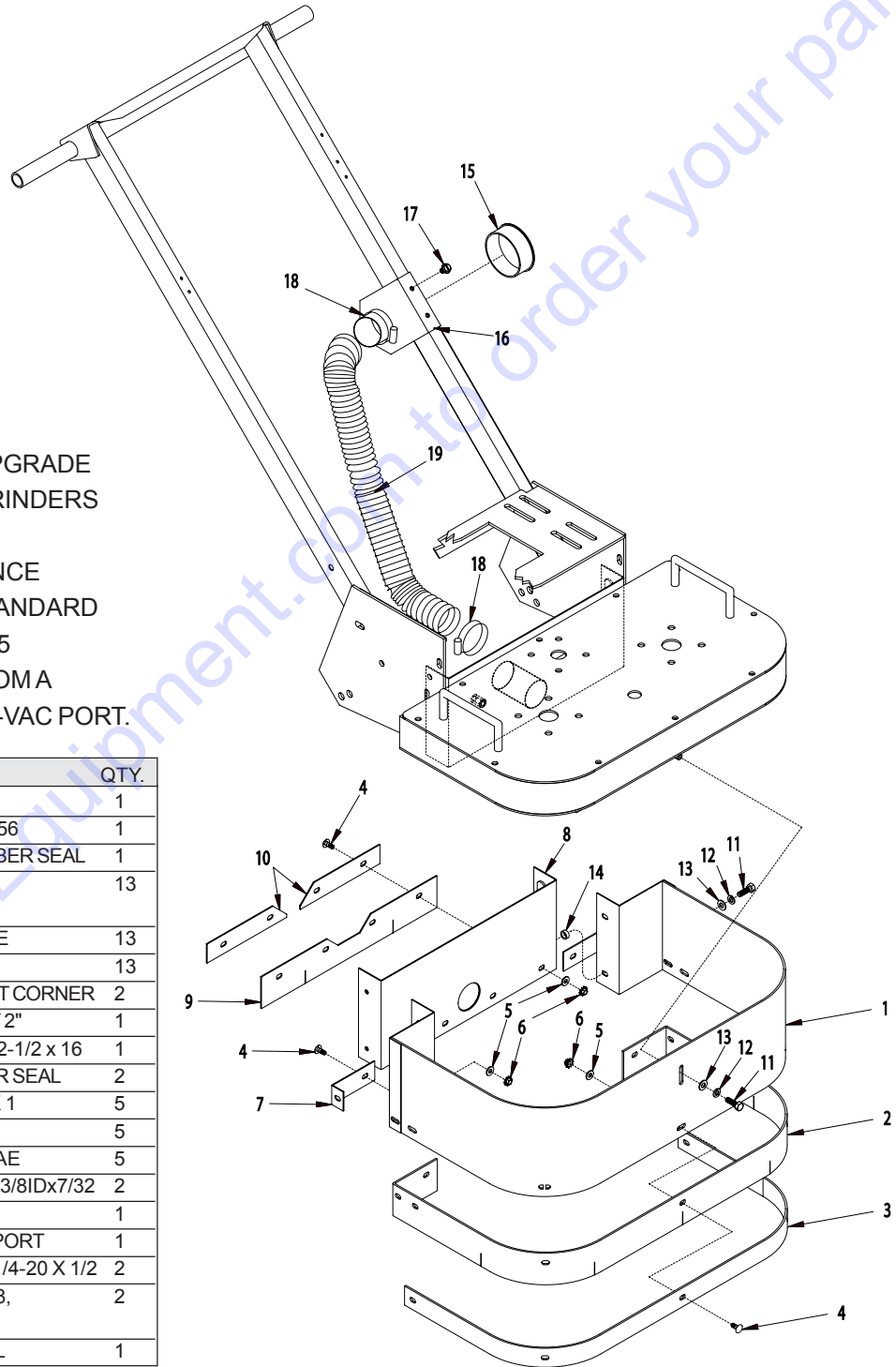
REVISED STARTING
SERIAL #051210058

**SKIRT KIT W/ RUBBER SEALS
AND REMOTE VACUUM PORT FOR
DUAL DISC GRINDERS*
PART# 77140**

***NOTE:**

THIS KIT CAN BE USED TO UPGRADE ALL MODEL 2-EC OR 2-GC GRINDERS MANUFACTURED BETWEEN DEC. 1991 AND FEB. 2005. SINCE FEB. 2005 ALL PARTS ARE STANDARD ON THE GRINDERS. DEC. 2005 ITEM #16 WAS CHANGED FROM A 2" VAC PORT TO A 2 2/3" MULTI-VAC PORT.

ITEM#	PART#	DESCRIPTION	QTY.
1	77001	SKIRT GUARD	1
2	77141	RUBBER SEAL 2-1/2 x 56	1
3	77143	RETAINING STRIP, RUBBER SEAL	1
4	11676	BOLT, CARRIAGE 1/4-20 X 5/8 GRADE 2	13
5	10602	WASHER, FLAT 1/4 SAE	13
6	10861	NUT, KEPS 1/4-20	13
7	77339	RETAINING BRKT., SKIRT CORNER	2
8	77112	PANEL, VACUUM PORT 2"	1
9	77142	RUBBER SEAL, REAR 2-1/2 x 16	1
10	77144	RETAINING STRIP, REAR SEAL	2
11	10806	SCREW, CAP 5/16-18 X 1	5
12	10801	WASHER, LOCK 5/16	5
13	10213	WASHER, FLAT 5/16 SAE	5
14	10113	SPACER, STL. 9/16ODx3/8IDx7/32	2
15	64030	PLUG, CAP 3" TUBE	1
16	86347	BRACKET, MULTI-VAC PORT	1
17	10846	SCREW, CAP STSHW 1/4-20 X 1/2	2
18	10766	CLAMP, HOSE, SAE #28, ADJ. TO 2-1/4	2
19	77113	HOSE, FLEX 2"ID X 32"L	1



PARTS FINDER

**Search Website
by Part Number**



**Search Manual
Library For Parts
Manual & Lookup Part
Numbers – Purchase
or Request Quote**

Search Manuals

Enter your information to search for a manual or to purchase a manual or parts.

* Brand:

* Model:

* Serial:

* Part Number:

SEARCH

**Can't Find Part or
Manual? Request Help
by Manufacturer,
Model & Description**

Parts Order Form

Please fill in the following information:

Manufacturer:

Model:

Description:

Quantity:

Part Number:

Part Name:

Part Description:

Part Category:

Part Location:

Part Status:

Part Condition:

Part Material:

Part Color:

Part Weight:

Part Dimensions:

Part Price:

Part Notes:

Submit

Discount-Equipment.com is your online resource for quality parts & equipment.

Florida: **561-964-4949** Outside Florida TOLL FREE: **877-690-3101**

Need parts?

Click on this link: <http://www.discount-equipment.com/category/5443-parts/> and choose one of the options to help get the right parts and equipment you are looking for. Please have the machine model and serial number available in order to help us get you the correct parts. If you don't find the part on the website or on one of the online manuals, please fill out the request form and one of our experienced staff members will get back to you with a quote for the right part that your machine needs.

We sell worldwide for the brands: Genie, Terex, JLG, MultiQuip, Mikasa, Essick, Whiteman, Mayco, Toro Stone, Diamond Products, Generac Magnum, Airman, Haulotte, Barreto, Power Blanket, Nifty Lift, Atlas Copco, Chicago Pneumatic, Allmand, Miller Curber, Skyjack, Lull, Skytrak, Tsurumi, Husquvarna Target, Stow, Wacker, Sakai, Mi-T-M, Sullair, Basic, Dynapac, MBW, Weber, Bartell, Bennar Newman, Haulotte, Ditch Runner, Menegotti, Morrison, Contec, Buddy, Crown, Edco, Wyco, Bomag, Laymor, EZ Trench, Bil-Jax, F.S. Curtis, Gehl Pavers, Heli, Honda, ICS/PowerGrit, IHI, Partner, Imer, Clipper, MMD, Koshin, Rice, CH&E, General Equipment, Amida, Coleman, NAC, Gradall, Square Shooter, Kent, Stanley, Tamco, Toku, Hatz, Kohler, Robin, Wisconsin, Northrock, Oztec, Toker TK, Rol-Air, APT, Wylie, Ingersoll Rand / Doosan, Innovatech, Con X, Ammann, Mecalac, Makinex, Smith Surface Prep, Small Line, Wanco, Yanmar