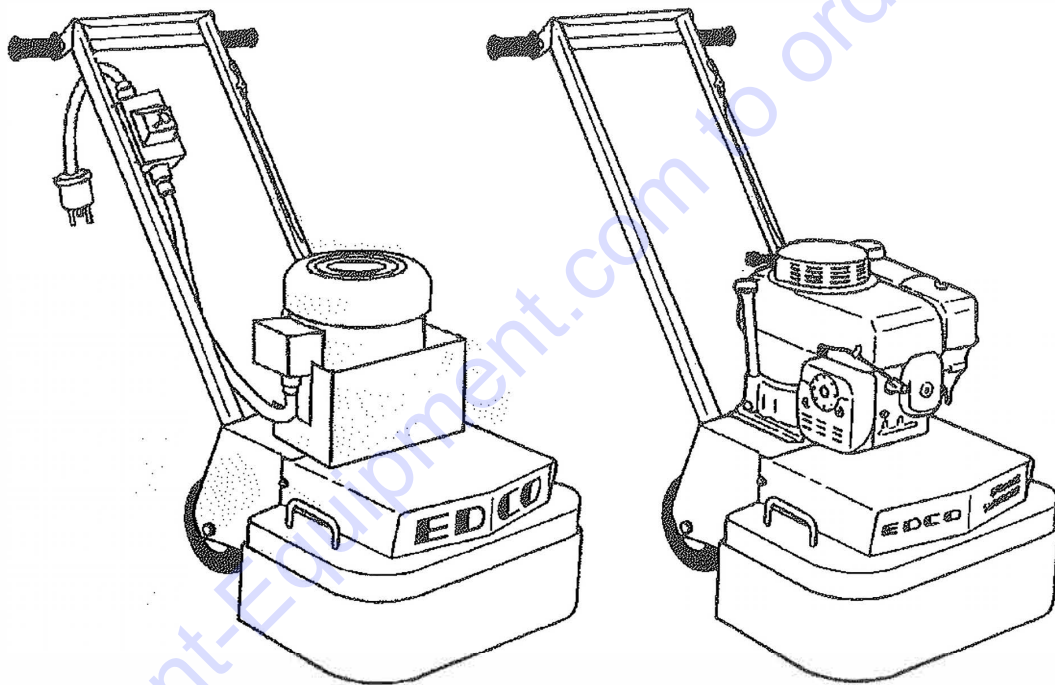




Parts List Manual

Models 2-EC and 2-GC



Concrete Grinder/Surfacer



PARTS FINDER

**Search Website
by Part Number**



**Search Manual
Library For Parts
Manual & Lookup Part
Numbers – Purchase
or Request Quote**

Search Manuals

Enter your information to help us find the right parts manual for your machine.

* Brand:

* Model:

* Serial:

* Part Number:

SEARCH

**Can't Find Part or
Manual? Request Help
by Manufacturer,
Model & Description**

Parts Order Form

Please fill in the following information to help us find the right part for your machine.

Manufacturer:	<input type="text"/>
Model:	<input type="text"/>
Description:	<input type="text"/>
Part Number:	<input type="text"/>
Quantity:	<input type="text"/>
Notes:	<input type="text"/>

Submit

Discount-Equipment.com is your online resource for quality parts & equipment.

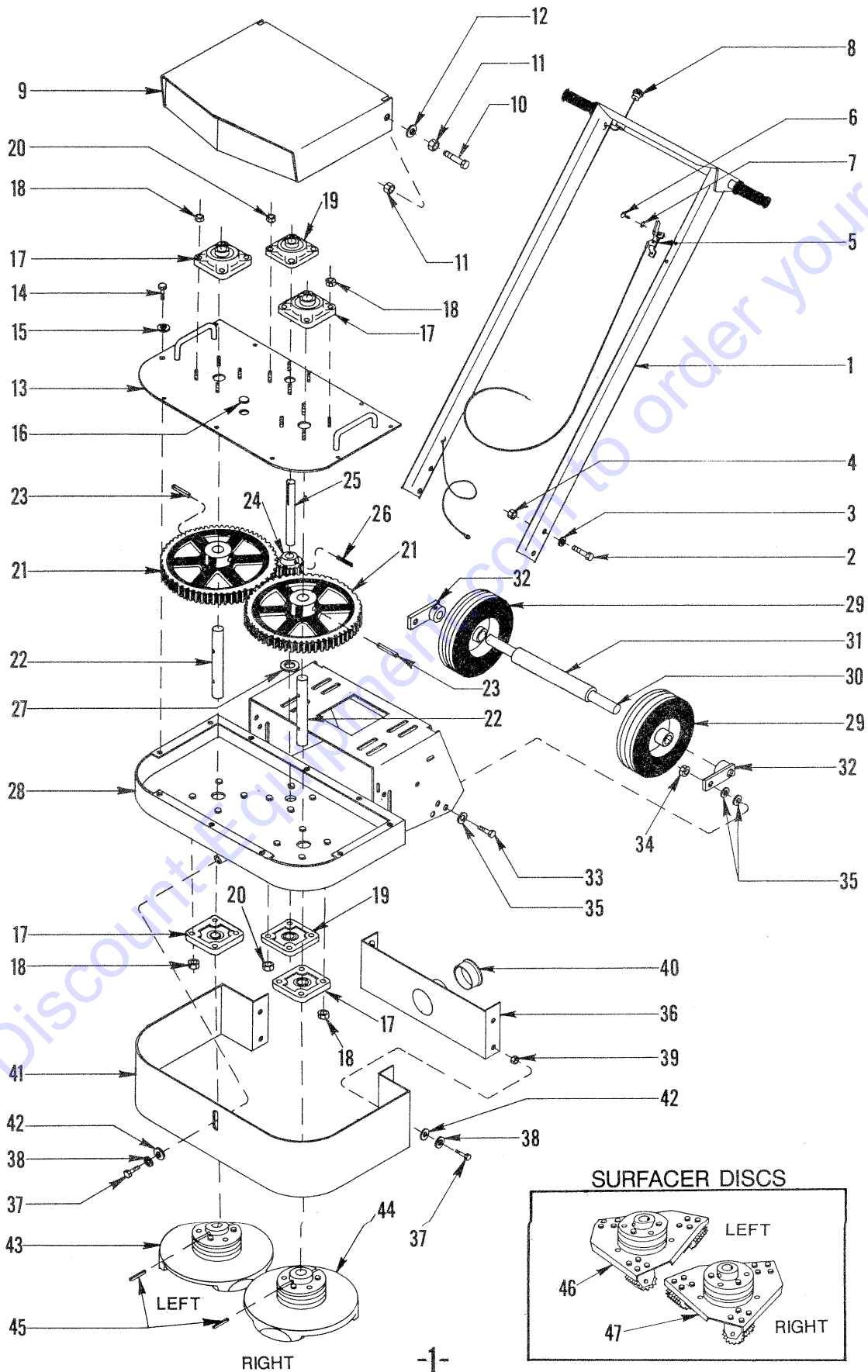
Florida: **561-964-4949** Outside Florida TOLL FREE: **877-690-3101**

Need parts?

Click on this link: <http://www.discount-equipment.com/category/5443-parts/> and choose one of the options to help get the right parts and equipment you are looking for. Please have the machine model and serial number available in order to help us get you the correct parts. If you don't find the part on the website or on one of the online manuals, please fill out the request form and one of our experienced staff members will get back to you with a quote for the right part that your machine needs.

We sell worldwide for the brands: Genie, Terex, JLG, MultiQuip, Mikasa, Essick, Whiteman, Mayco, Toro Stone, Diamond Products, Generac Magnum, Airman, Haulotte, Barreto, Power Blanket, Nifty Lift, Atlas Copco, Chicago Pneumatic, Allmand, Miller Curber, Skyjack, Lull, Skytrak, Tsurumi, Husquvarna Target, Stow, Wacker, Sakai, Mi-T-M, Sullair, Basic, Dynapac, MBW, Weber, Bartell, Bennar Newman, Haulotte, Ditch Runner, Menegotti, Morrison, Contec, Buddy, Crown, Edco, Wyco, Bomag, Laymor, EZ Trench, Bil-Jax, F.S. Curtis, Gehl Pavers, Heli, Honda, ICS/PowerGrit, IHI, Partner, Imer, Clipper, MMD, Koshin, Rice, CH&E, General Equipment, Amida, Coleman, NAC, Gradall, Square Shooter, Kent, Stanley, Tamco, Toku, Hatz, Kohler, Robin, Wisconsin, Northrock, Oztec, Toker TK, Rol-Air, APT, Wylie, Ingersoll Rand / Doosan, Innovatech, Con X, Ammann, Mecalac, Makinex, Smith Surface Prep, Small Line, Wanco, Yanmar

ILLUSTRATION 1: MAIN ASSEMBLY



PARTS LISTING - ILLUSTRATION 1: MAIN ASSEMBLY

Item #	Part #	Description	Qty.
1	74010	Handle Bar	1
2	10029	Screw, Cap 3/8-24 x 1-3/4	4
3	10025	Washer, Flat 3/8	4
4	10004	Nut, Lock 3/8-24	4
5	3611	Cable, Throttle Lever-Type 54" (Gas Units Only)	1
6	10828	Screw, Self-Tap 10-24 x 1/2	2
7	10455	Washer, Ext. Tooth #10	2
8	50010	Switch, Stop Button (Gas Units Only)	1
9	77077	Hood	1
10	10905	Screw, Cap 1/4-20 x 1-1/4	2
11	10013	Nut 1/4-20	4
12	10602	Washer, Flat 1/4	2
13	77007	Gear Case Cover	1
14	10018	Screw, Cap 1/4-20 x 3/4	10
15	10038	Washer, Lock 1/4	10
16	10005	Plug, Hole 7/8"	1
17	77008	Bearing, Ball 1" 4-Hole	4
18	10002	Nut, Lock 7/16-20	16
19	77009	Bearing, Ball 3/4" 4-Hole	2
20	10004	Nut, Lock 3/8-24	8
21	77012	Gear, Spur 112 Tooth (Driven)	2
22	77013	Shaft, Gear 1 x 7-13/16	2
23	10007	Pin, Roll 3/8 x 2-1/2	2
24	77053	Gear, Spur 25 Tooth (Pinion)	1
25	77011	Shaft, Pinion 3/4 x 7-3/8	1
26	10037	Pin, Roll 1/4 x 1-1/2	1
27	10009	Washer, Flat 3/4	1
28	77022	Frame & Gear Case	1
29	79013	Wheel 8 x 2-1/2 x 3/4"Brg.	2
30	77209	Axle Shaft 3/4 x 17	1
31	77210	Axle Spacer 9-15/16"L	1
32	77208	Adjuster, Wheel Height	2
33	10308	Screw, Cap 1/2-20 x 1-1/2	2
34	10205	Nut, Lock 1/2-20	2
35	10312	Washer, Flat 1/2	4
36	77112	Vacuum Attachment Panel 3"Port	1
37	10606	Screw, Cap 5/16-18 x 1-1/4	5
38	10801	Washer, Lock 5/16	5
39	10113	Spacer, Steel 3/8"ID x 7/32"Thk	2
40	64030	Caplug 3"	1
41	77001	CG-228 Dust & Safety Shield 7"	1
42	10213	Washer, Flat 5/16	5
43	9999	Multi-Accessory Disc Assy., LH (See Illus. 2 for Breakdown)	1
44	8888	Multi-Accessory Disc Assy., RH (See Illus. 2 for Breakdown)	1
45	10063	Pin, Roll 3/8 x 2	2
46	3333	Surfacer Disc Assembly, LH (See Illus. 4 for Breakdown)	1
47	2222	Surfacer Disc Assembly, RH (See Illus. 4 for Breakdown)	1

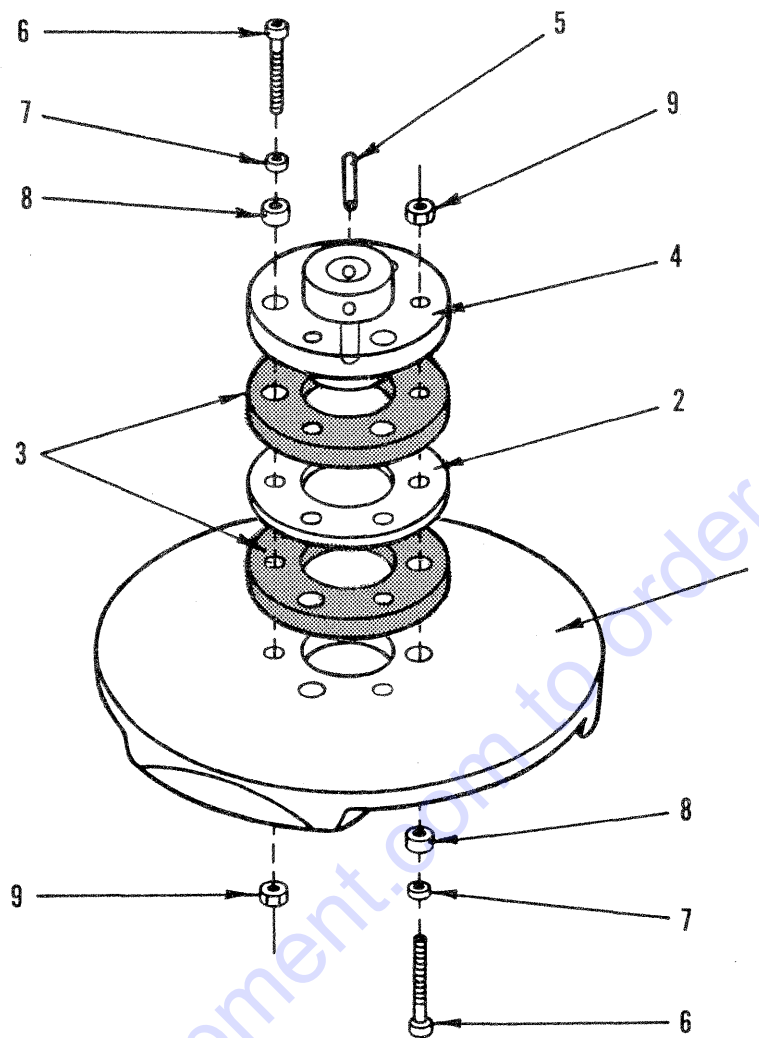


ILLUSTRATION 2: MULTI-ACCESSORY DISC ASSEMBLY

#8888 Disc Assembly Complete, Right Hand
 #9999 Disc Assembly Complete, Left Hand

Item #	Part #	Description	Qty.
1		Disc, Multi-Accessory	
	77088	R.H. Disc for Assy. #8888	1
	77099	L.H. Disc for Assy. #9999	1
2	77020	Hub Carrier Ring	1
3	10112	Neoprene Ring	2
4	77010	Hub, Aluminum	1
5	10063	Pin, Roll 3/8 x 2	1
6	10114	Screw, Skt.Hd.Cap 3/8-24 x 2-1/4	6
7	10113	Spacer, Steel 3/8"ID x 7/32"W	6
8	10011	Spacer, Steel 3/8"ID x 3/8"W	6
9	10004	Nut, Lock 3/8-24	6

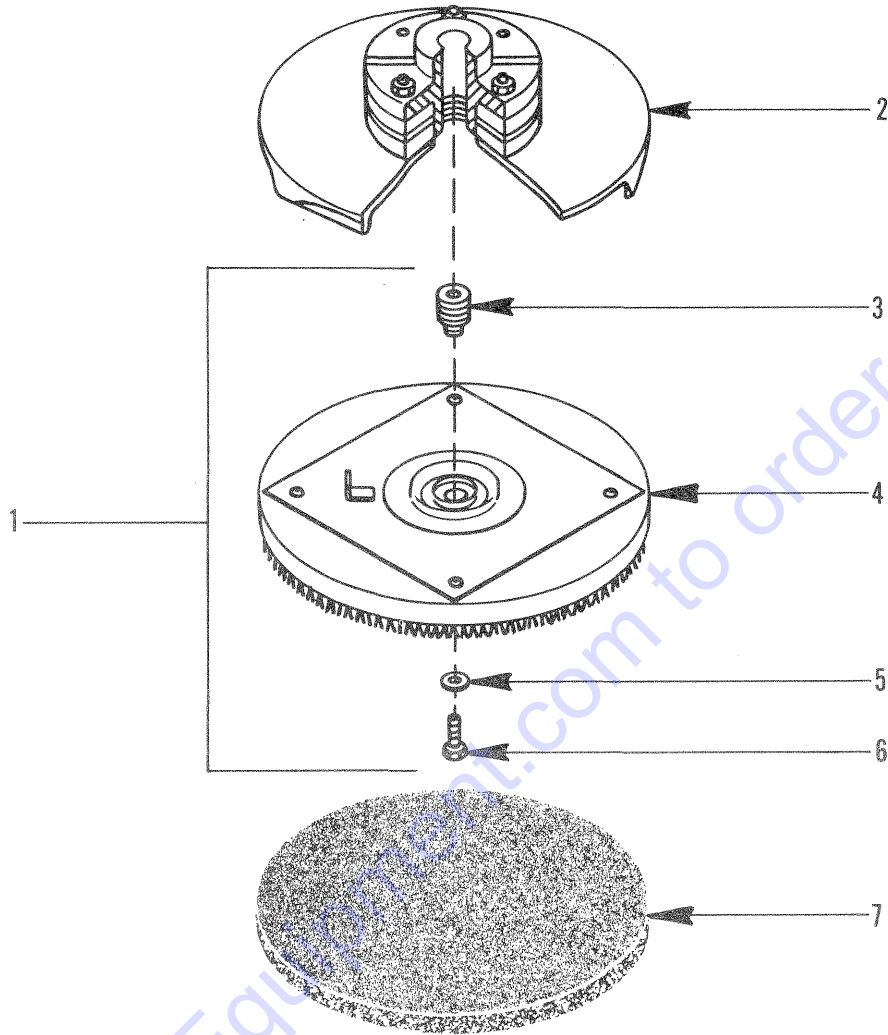
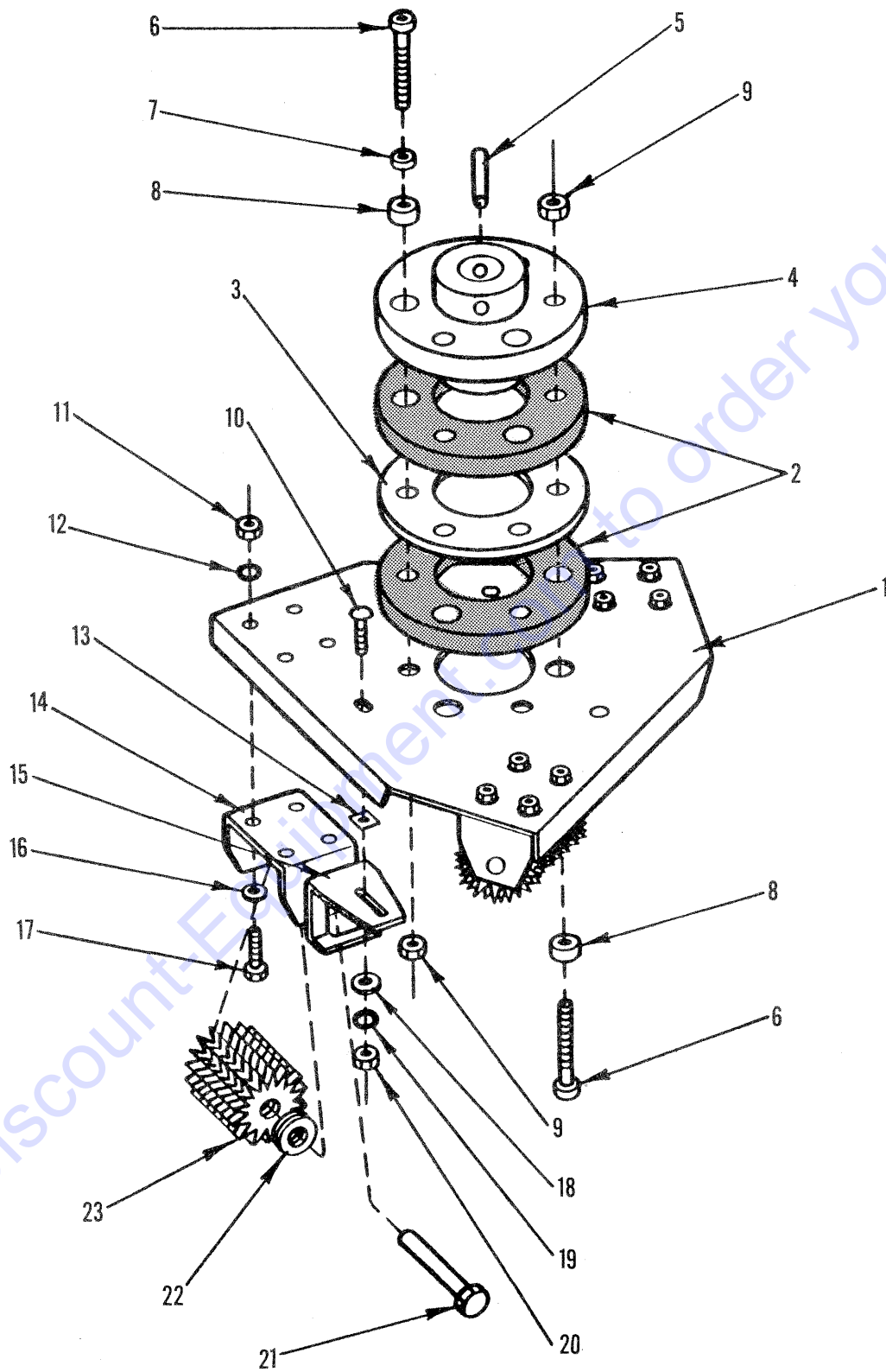


ILLUSTRATION 3 : PAD DRIVER DISC ASSEMBLY

Item #	Part #	Description	Qty.
1	76040	11-P Pad Driver Disc Assembly (Includes Items #3 thru 6)	2
2	-----	Multi Accessory Disc Assembly (See Illus. 2 for Breakdown)	
3	76042	Hub Stud	1ea.
4	76041	Pad Driver Disc Only	1ea.
5	10312	Washer, Flat 1/2	1ea.
6	10304	Screw, Cap 1/2-20 x 1	1ea.
7	13013	11-A Silabide Pad, 11" Medium	2

ILLUSTRATION 4 : SURFACER DISC ASSEMBLY



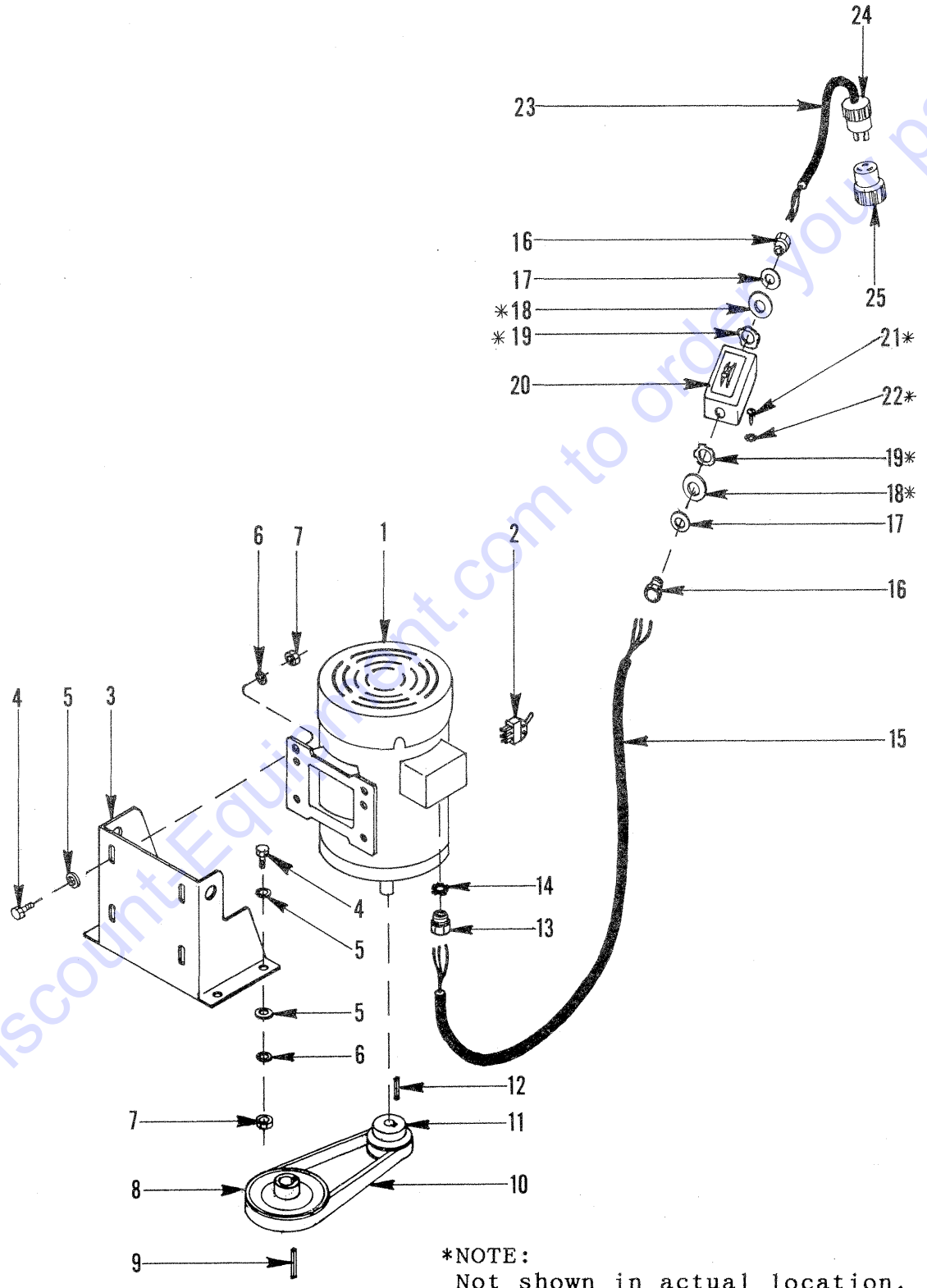
PARTS LISTING - ILLUSTRATION 4:
SURFACER DISC ASSEMBLY

#2222 Disc Assembly, Right Hand
#3333 Disc Assembly, Left Hand

Item #	Part #	Description	Qty.
1		Disc, Surfacers	
	77122	R.H. Disc for Assy. #2222	1
	77133	L.H. Disc for Assy. #3333	1
2	10112	Neoprene Ring	2
3	77020	Hub Carrier Ring	1
4	77010T	Hub, Cast Iron	1
5	10063	Pin, Roll 3/8 x 2	1
6	10114	Screw, Skt.Hd.Cap 3/8-24 x 2-1/4	6
7	10113	Spacer, Steel 3/8"ID x 7/32"W	3
8	10011	Spacer, Steel 3/8"ID x 3/8"W	6
9	10004	Nut, Lock 3/8-24	6
10	10802	Bolt, Carr. 3/8-16 x 1	3
11	10054	Nut 5/16-18	12
12	10801	Washer, Lock 5/16	12
13	10089	Nut, Speed 3/8	3
14	77074	Holder, Cutter Shaft	3
15	77075	Retainer, Cutter Shaft	3
16	10213	Washer, Flat 5/16	12
17	10806	Screw, Cap 5/16-18 x 1	12
18	10025	Washer, Flat 3/8	3
19	10811	Washer, Lock 3/8	3
20	10404	Nut 3/8-16	3
*21	77048	Cutter Shaft CG226	3
*22	12230	Spacer CG227	33
*23		Cutter Wheel	
	12206	Hi-Carbon Steel JRS501-P	24
	20156	Tungsten Carbide CP206-T	18

*Note: Cutter wheels, spacers, and shafts
not included with disc assemblies.

ILLUSTRATION 5 : MOTOR & BELT DRIVE ASSEMBLY FOR 1.5 & 2 H.P. BALDOR



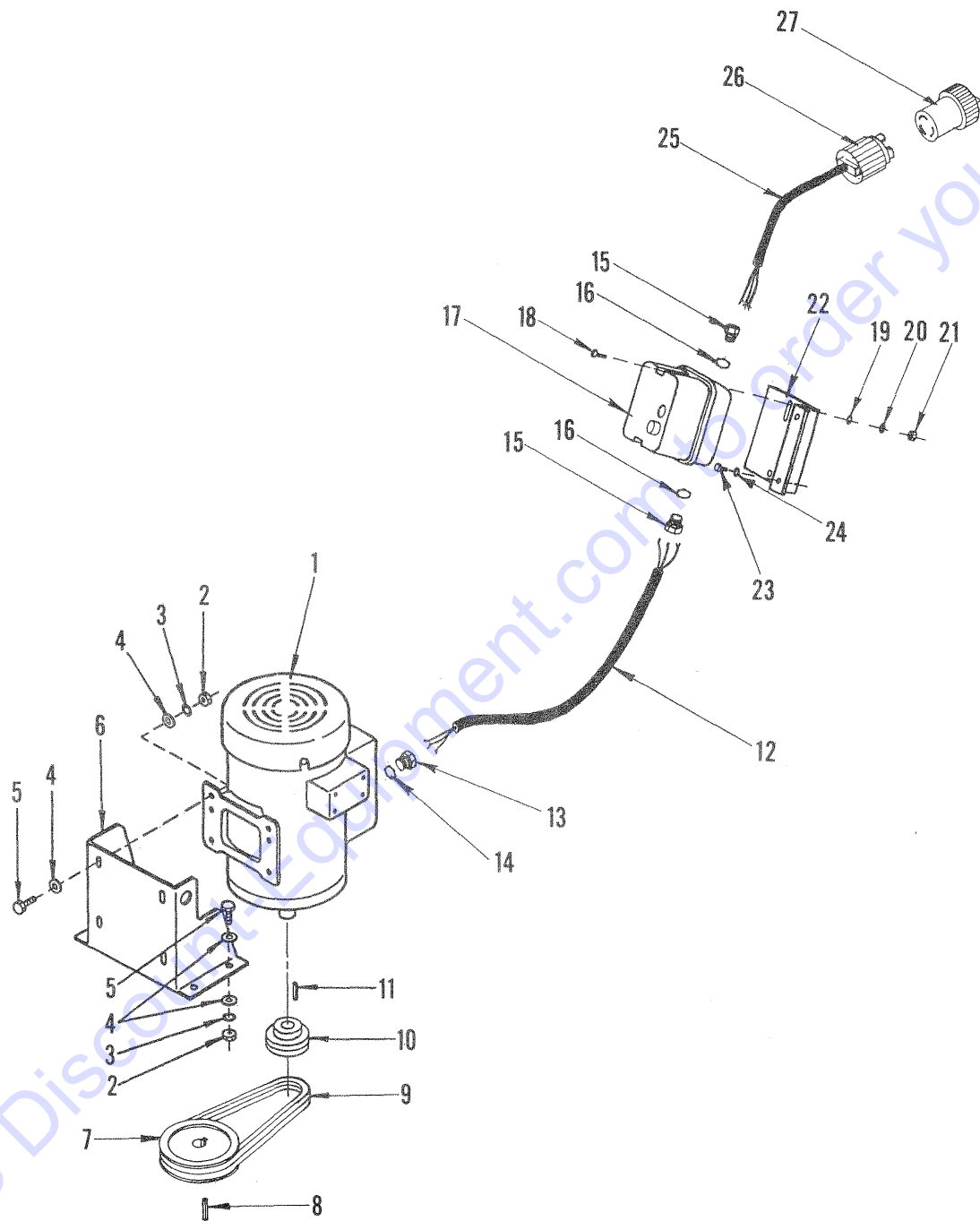
***NOTE:**
Not shown in actual location.
Items 18, 19, 21, and 22 are
inside of the switch box.

PARTS LISTING - ILLUSTRATION 5:

MOTOR & BELT DRIVE ASSEMBLY
FOR 1.5 & 2 HP BALDOR

Item #	Part #	Description	Qty.
1		Motor, Baldor	1
	76027	1.5 HP-1 Phase, 60Hz, 1725 RPM	
	16019	2.0 HP-1 Phase, 50Hz, 1425 RPM	
2	76002	Switch DPDT, Voltage Selector (Included W/ 1.5 HP Motor)	
3	77037	Mount, Motor	1
4	10021	Screw, Cap 3/8-24 x 1	8
5	10025	Washer, Flat 3/8	12
6	10811	Washer, Lock 3/8	8
7	10004	Nut 3/8-24	8
8	3654	Sheave 5"OD x 1Gr.B x 3/4"Bore	1
9	10060	Key 3/16"Sq. x 1-1/4	1
10	10051	Belt 5L-270	1
11	77017	Sheave 3"OD x 1Gr.B x 7/8"Bore	1
12	-----	Key 3/16"Sq.(Included W/ Motor)	
13	10959	Connector, Strain Relief 3/4NPT x .550-.650"Range	1
14	10740	Conduit Lock Nut 3/4 NP	1
15	10022	Wire Harness 12/3 x 35"	1
16	41130	Connector, Strain Relief 1/2NPT x .550-.650"Range	2
17	77081	Washer, Switch Box Outer	2
18	77080	Washer, Switch Box Inner	2
19	10790	Conduit Lock Nut 1/2 NP	2
20	77027	Switch W/ Enclosure DPST	1
	77018	Switch Only DPST 30A/250V (Included W/ Part #77027)	
21	10828	Screw, Self-Tap 10-24 x 1/2	2
22	10455	Washer, Ext. Tooth #10	2
23	77026	Wire Harness 12/3 x 12"	1
24	40042	Plug 20A/125V (Standard)	1
	40037	Plug 20A/250V (Optional)	
25	40041	Plug Conn. 20A/125V (Standard)	1
	40000	Plug conn. 20A/250V (Optional)	

ILLUSTRATION 6 : MOTOR & BELT DRIVE ASSEMBLY FOR 3 H.P. – 1 PHASE BALDOR



PARTS LISTING - ILLUSTRATION 6:

MOTOR & BELT DRIVE ASSEMBLY
FOR 3 HP-1 PHASE BALDOR

Item #	Part #	Description	Qty.
1	16003	Motor, Baldor 3 HP - 1 Phase 230 VAC, 60 Hz, 1725 RPM	1
2	10004	Nut 3/8-24	8
3	10811	Washer, Lock 3/8	8
4	10025	Washer, Flat 3/8	16
5	10021	Screw, Cap 3/8-24 x 1	4
6	77037	Mount, Motor	1
7	77058	Sheave 5"OD x 2Gr.B x 3/4"Bore	1
8	10060	Key 3/16 Sq. x 1-1/4	1
9	10051	Belt 5L-270	2
10	79023	Sheave 3"OD x 2Gr.B x 1-1/8"B	1
11	-----	Key 1/4" Sq. (Included W/ Motor)	1
12	10022	Wire Harness 12/3 x 35"	1
13	10959	Connector, Strain Relief 3/4NPT x .550-.650"Range	1
14	10740	Conduit Lock Nut 3/4 NP	1
15	41130	Connector, Strain Relief 1/2NPT x .550-.650"Range	2
16	10790	Conduit Lock Nut 1/2 NP	2
17	40061	Starter CA3-16, Small Enclosure	1
18	10862	Screw, Machine 8-32 x 7/8	2
19	10850	Washer, Flat #10	2
20	10461	Washer, Int. Tooth #8	2
21	10462	Nut 8-32	2
22	77059	Mount Brkt., Small Starter	1
23	10846	Screw, Self-Tap 1/4-20 x 1/2	2
24	10038	Washer, Lock 1/4	2
25	77026	Wire Harness 12/3 x 12"	1
26	40037	Plug 20A/250V	1
27	40000	Plug Connector 20A/250V	1

ILLUSTRATION 7 : ENGINE & BELT DRIVE ASSEMBLY FOR
5 H.P. BRIGGS & STRATTON I.C.

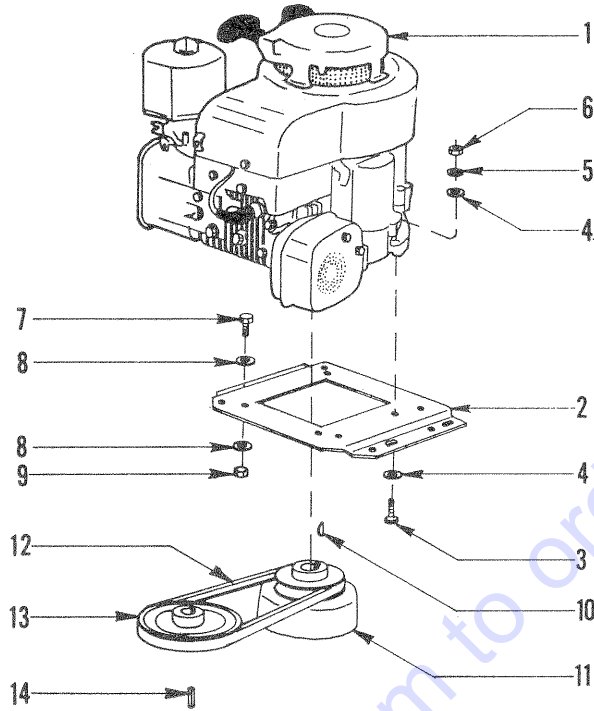


ILLUSTRATION 8 : ENGINE & BELT DRIVE ASSEMBLY FOR
5.5 H.P. HONDA GXV160

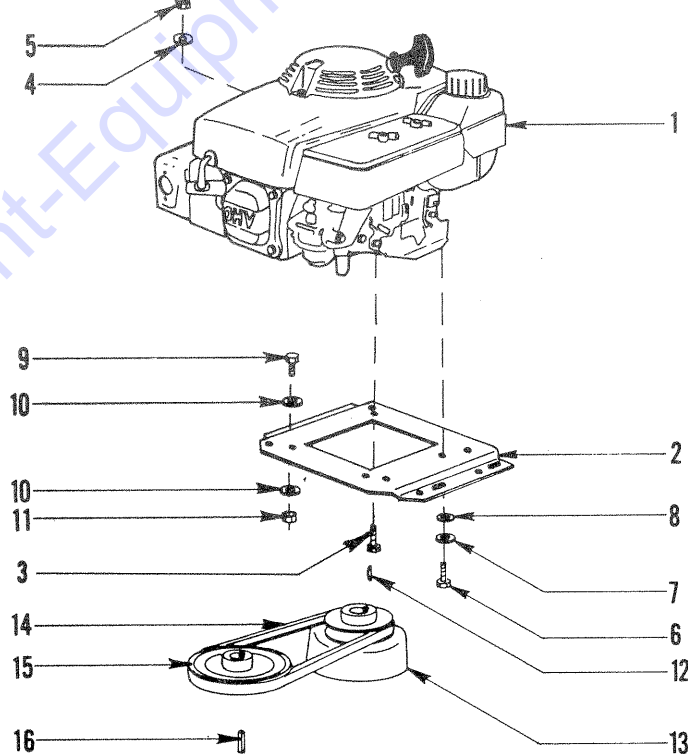


ILLUSTRATION 7: ENGINE & BELT DRIVE ASSEMBLY
FOR 5 H.P. BRIGGS & STRATTON I.C.

Item #	Part #	Description	Qty.
1	76026	Engine, Briggs & Stratton 5 HP	1
2	76023	Mounting Brkt., Engine	1
3	10606	Screw, Cap 5/16-18 x 1-1/4	4
4	10213	Washer, Flat 5/16	8
5	10801	Washer, Lock 5/16	4
6	10054	Nut 5/16-18	4
7	10021	Screw, Cap 3/8-24 x 1	4
8	10025	Washer, Flat 3/8	8
9	10004	Nut, Lock 3/8-24	4
10	10019	Key, Woodruff 5/32 x 5/8 (Included W/ Engine)	1
11	77024	Clutch, Centrifugal 3.6"OD x 1Gr. x 7/8"Bore	1
12	10051	Belt 5L-270	1
13	3654	Sheave 5"OD x 1Gr.B x 3/4"Bore	1
14	10060	Key 3/16"Sq. x 1-1/4	1

ILLUSTRATION 8: ENGINE & BELT DRIVE ASSEMBLY
FOR 5.5 H.P. HONDA GXV160

Item #	Part #	Description	Qty.
1	76020	Engine, Honda 5.5 HP GXV160	1
2	76023	Mounting Brkt., Engine	1
3	10342	Screw, Cap 5/16-18 x 1-1/2	1
4	10801	Washer, Lock 5/16	1
5	10054	Nut 5/16-18	1
6	10048	Screw, Cap 5/16-24 x 3/4	3
7	10801	Washer, Lock 5/16	3
8	10213	Washer, Flat 5/16	3
9	10021	Screw, Cap 3/8-24 x 1	4
10	10025	Washer, Flat 3/8	8
11	10004	Nut, Lock 3/8-24	4
12	10019	Key, Woodruff 5/32 x 5/8 (Included W/ Engine)	1
13	77024	Clutch, Centrifugal 3.6"OD x 1Gr. x 7/8"Bore	1
14	10051	Belt 5L-270	1
15	3654	Sheave 5"OD x 1Gr.B x 3/4"Bore	1
16	10060	Key 3/16"Sq. x 1-1/4	1

ILLUSTRATION 9 : ENGINE & BELT DRIVE ASSEMBLY FOR
8 H.P. BRIGGS & STRATTON I.C.

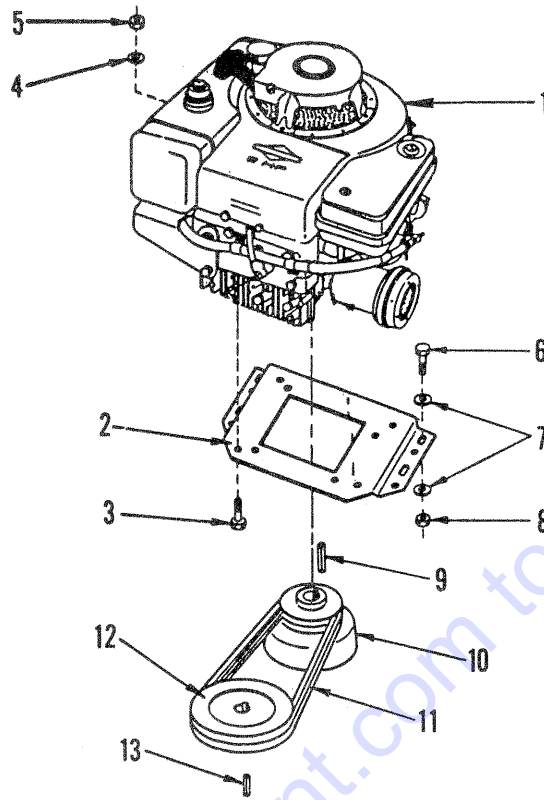


ILLUSTRATION 10 : ENGINE & BELT DRIVE ASSEMBLY FOR
11 H.P. HONDA GXV340

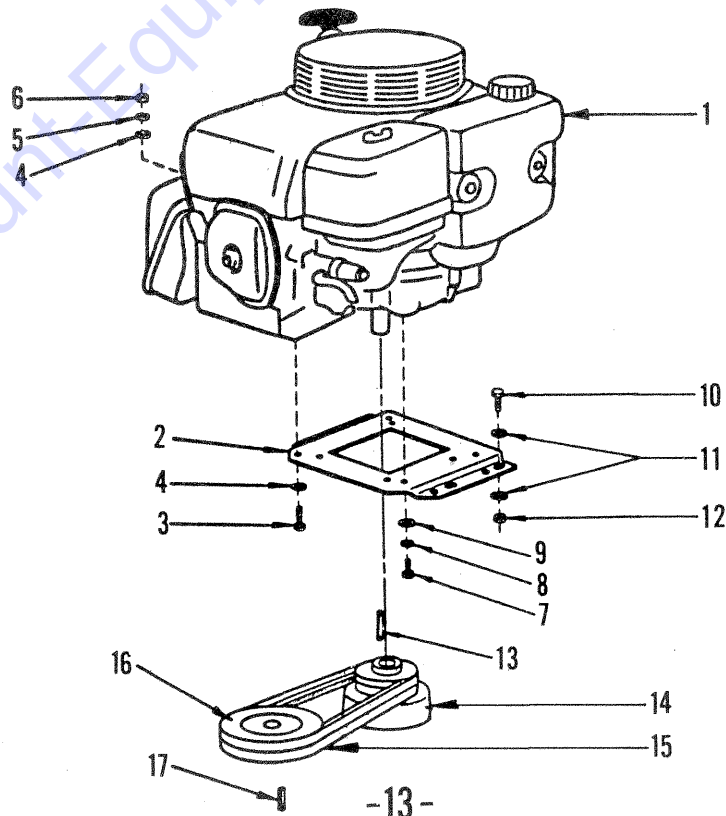


ILLUSTRATION 9: ENGINE & BELT DRIVE ASSEMBLY FOR 8 H.P. BRIGGS & STRATTON I.C.			
Item #	Part #	Description	Qty.
1	76022	Engine, Briggs & Stratton 8 HP	1
2	76023	Mounting Brkt., Engine	1
3	10606	Screw, Cap 5/16-18 x 1-1/4	4
4	10801	Washer, Lock 5/16	4
5	10054	Nut 5/16-18	3
6	10021	Screw, Cap 3/8-24 x 1	4
7	10025	Washer, Flat 3/8	8
8	10004	Nut, Lock 3/8-24	4
9	10017	Key 1/4" Sq. x 2-3/8 (Included W/ Engine)	1
10	76024	Clutch, Centrifugal 3.5"OD x 2Gr. x 1"Bore	1
11	10051	Belt 5L-270	2
12	77058	Sheave 5"OD x 2Gr.B x 3/4"Bore	1
13	10060	Key 3/16" Sq. x 1-1/4	1

ILLUSTRATION 10: ENGINE & BELT DRIVE ASSEMBLY FOR 11 H.P. HONDA GXV340			
Item #	Part #	Description	Qty.
1	76004	Engine, Honda 11 HP GXV340	1
2	76023	Mounting Brkt., Engine	1
3	10606	Screw, Cap 5/16-18 x 1-1/4	2
4	10213	Washer, Flat 5/16	4
5	10801	Washer, Lock 5/16	2
6	10054	Nut 5/16-18	2
7	10048	Screw, Cap 5/16-24 x 3/4	2
8	10801	Washer, Lock 5/16	2
9	10213	Washer, Lock 5/16	2
10	10021	Screw, Cap 3/8-24 x 1	4
11	10025	Washer, Flat 3/8	8
12	10004	Nut, Lock 3/8-24	4
13	10017	Key 1/4" Sq. x 2-3/8 (Included W/ Engine)	1
14	76024	Clutch, Centrifugal 3.5"OD x 2Gr. x 1"Bore	1
15	10051	Belt 5L-270	2
16	77058	Sheave 5"OD x 2Gr.B x 3/4"Bore	1
17	10060	Key 3/16" Sq. x 1-1/4	1

PARTS FINDER

**Search Website
by Part Number**



**Search Manual
Library For Parts
Manual & Lookup Part
Numbers – Purchase
or Request Quote**

Search Manuals

Enter your information to help us find the right parts manual for your machine.

* Brand:

* Model:

* Serial:

* Part Number:

SEARCH

**Can't Find Part or
Manual? Request Help
by Manufacturer,
Model & Description**

Parts Order Form

Please fill in the following information to help us find the right part for your machine.

Manufacturer:	<input type="text"/>
Model:	<input type="text"/>
Description:	<input type="text"/>
Part Number:	<input type="text"/>
Quantity:	<input type="text"/>
Notes:	<input type="text"/>

Submit

Discount-Equipment.com is your online resource for quality parts & equipment.

Florida: **561-964-4949** Outside Florida TOLL FREE: **877-690-3101**

Need parts?

Click on this link: <http://www.discount-equipment.com/category/5443-parts/> and choose one of the options to help get the right parts and equipment you are looking for. Please have the machine model and serial number available in order to help us get you the correct parts. If you don't find the part on the website or on one of the online manuals, please fill out the request form and one of our experienced staff members will get back to you with a quote for the right part that your machine needs.

We sell worldwide for the brands: Genie, Terex, JLG, MultiQuip, Mikasa, Essick, Whiteman, Mayco, Toro Stone, Diamond Products, Generac Magnum, Airman, Haulotte, Barreto, Power Blanket, Nifty Lift, Atlas Copco, Chicago Pneumatic, Allmand, Miller Curber, Skyjack, Lull, Skytrak, Tsurumi, Husquvarna Target, Stow, Wacker, Sakai, Mi-T-M, Sullair, Basic, Dynapac, MBW, Weber, Bartell, Bennar Newman, Haulotte, Ditch Runner, Menegotti, Morrison, Contec, Buddy, Crown, Edco, Wyco, Bomag, Laymor, EZ Trench, Bil-Jax, F.S. Curtis, Gehl Pavers, Heli, Honda, ICS/PowerGrit, IHI, Partner, Imer, Clipper, MMD, Koshin, Rice, CH&E, General Equipment, Amida, Coleman, NAC, Gradall, Square Shooter, Kent, Stanley, Tamco, Toku, Hatz, Kohler, Robin, Wisconsin, Northrock, Oztec, Toker TK, Rol-Air, APT, Wylie, Ingersoll Rand / Doosan, Innovatech, Con X, Ammann, Mecalac, Makinex, Smith Surface Prep, Small Line, Wanco, Yanmar