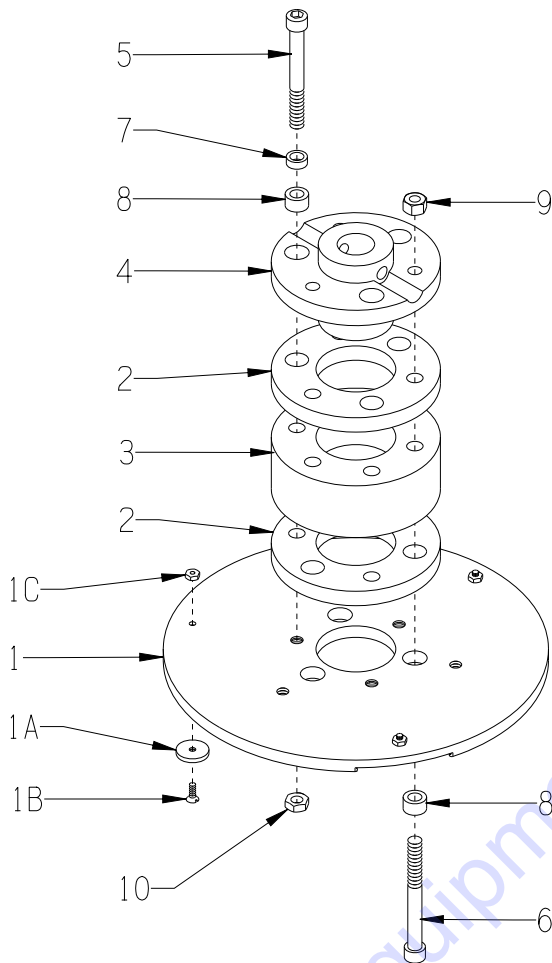


# PARTS LIST

E-MTDA-PL-1215



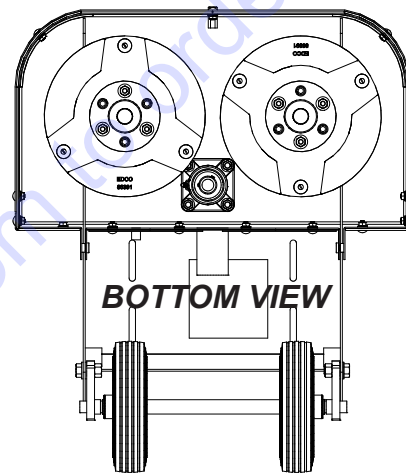
## DISC ASSEMBLY FOR "CLASSIC" GRINDERS



### RETROFIT PART # 77170 (1 DISC COMPLETELY ASSEMBLED)

#### DUAL-DISC ORIENTATION

INSTALL DISC IN OPPOSITE DIRECTIONS  
SO THEY PASS EACH OTHER AT THE  
CENTER IN ALTERNATING SEQUENCE.



ITEM #	PART #	DESCRIPTION	QTY.*
1	86391	10" MAGNA-TRAP DISC W/ MAGNETS (INCLUDES ITEMS 1A, 1B AND 1C)	1
1A	36064	MAGNET, NEODYMIUM RING 7/8 X 1/8	3
1B	10647	SCREW, FLAT HD PHILLIPS 8-32 X 1/2	3
1C	10462	NUT, KEPS LOCK 8-32 ZINC	3
2	10112	RING, RUBBER, 4-1/2"OD X 1/2"THK	2
3	77173	HUB SPACER, MAGNA-TRAP DISC	1
4	77010	HUB, ALUMINUM 6-HOLE (GRINDER)	1
5	11855	SCREW, SKT. HD. CAP 3/8-24 X 3-1/4	3
6	11856	SCREW, SKT. HD. CAP 3/8-24 X 3-1/2	3
7	10113	SPACER, STEEL 9/16OD X 3/8ID X 7/32	3
8	10011	SPACER, STEEL 5/8OD X 3/8ID X 3/8T	6
9	10004	NUT, HEX LOCK 3/8-24 LOCK (USE RED LOCTITE)	3
10	11725	NUT, HEX JAM 3/8-24 ZINC (USE RED LOCTITE)	3

\*NOTE: QUANTITIES ARE PER EACH DISC ASSEMBLY.



# PARTS FINDER

**Search Website  
by Part Number**



**Search Manual  
Library For Parts  
Manual & Lookup Part  
Numbers – Purchase  
or Request Quote**

**Search Manuals**

Enter your information to help us find the right parts manual for your machine.

\* Brand:

\* Model:

\* Serial:

\* Part Number:

SEARCH

**Can't Find Part or  
Manual? Request Help  
by Manufacturer,  
Model & Description**

**Parts Order Form**

Please fill in the following information to help us find the right part for your machine.

Manufacturer:	<input type="text"/>
Model:	<input type="text"/>
Description:	<input type="text"/>
Part Number:	<input type="text"/>
Quantity:	<input type="text"/>
Notes:	<input type="text"/>

Discount-Equipment.com is your online resource for quality parts & equipment.

Florida: **561-964-4949** Outside Florida TOLL FREE: **877-690-3101**

**Need parts?**

Click on this link: <http://www.discount-equipment.com/category/5443-parts/> and choose one of the options to help get the right parts and equipment you are looking for. Please have the machine model and serial number available in order to help us get you the correct parts. If you don't find the part on the website or on one of the online manuals, please fill out the request form and one of our experienced staff members will get back to you with a quote for the right part that your machine needs.

We sell worldwide for the brands: Genie, Terex, JLG, MultiQuip, Mikasa, Essick, Whiteman, Mayco, Toro Stone, Diamond Products, Generac Magnum, Airman, Haulotte, Barreto, Power Blanket, Nifty Lift, Atlas Copco, Chicago Pneumatic, Allmand, Miller Curber, Skyjack, Lull, Skytrak, Tsurumi, Husquvarna Target, Stow, Wacker, Sakai, Mi-T-M, Sullair, Basic, Dynapac, MBW, Weber, Bartell, Bennar Newman, Haulotte, Ditch Runner, Menegotti, Morrison, Contec, Buddy, Crown, Edco, Wyco, Bomag, Laymor, EZ Trench, Bil-Jax, F.S. Curtis, Gehl Pavers, Heli, Honda, ICS/PowerGrit, IHI, Partner, Imer, Clipper, MMD, Koshin, Rice, CH&E, General Equipment, Amida, Coleman, NAC, Gradall, Square Shooter, Kent, Stanley, Tamco, Toku, Hatz, Kohler, Robin, Wisconsin, Northrock, Oztec, Toker TK, Rol-Air, APT, Wylie, Ingersoll Rand / Doosan, Innovatech, Con X, Ammann, Mecalac, Makinex, Smith Surface Prep, Small Line, Wanco, Yanmar