



## PARTS LIST MANUAL

## MODELS 2EC-NG &amp; 2GC-NG



ELECTRIC MODEL\*

GASOLINE MODEL\*

\* Shown with Optional Weight Blocks.



## DUAL-DISC FLOOR GRINDERS

SKU #	MODEL #	POWER OPTION
59200	2EC-NG-1.5	BALDOR ELECTRIC MOTOR 1.5HP 60Hz 1-PHASE 115/230V
59500	2EC-NG-2B/50	BALDOR ELECTRIC MOTOR 2HP 50Hz 1-PHASE 110/220V
59600	2EC-NG-3B	BALDOR ELECTRIC MOTOR 3HP 60Hz 1-PHASE 230V
59300	2GC-NG-11H	HONDA GASOLINE ENGINE MODEL GXV340

**READ AND UNDERSTAND THE OPERATOR'S SAFETY MANUAL THOROUGHLY  
BEFORE ATTEMPTING TO OPERATE THIS EQUIPMENT.**

Death or serious injury could occur if this machine is used improperly.

# PARTS FINDER

**Search Website  
by Part Number**



**Search Manual  
Library For Parts  
Manual & Lookup Part  
Numbers – Purchase  
or Request Quote**

**Search Manuals**

Enter your information to help us find the right parts manual for your machine.

\* Brand:

\* Model:

\* Serial:

\* Part Number:

SEARCH

**Can't Find Part or  
Manual? Request Help  
by Manufacturer,  
Model & Description**

**Parts Order Form**

Please fill in the following information to help us find the right part for your machine.

Manufacturer:	<input type="text"/>
Model:	<input type="text"/>
Description:	<input type="text"/>
Part Number:	<input type="text"/>
Quantity:	<input type="text"/>
Notes:	<input type="text"/>

Submit

Discount-Equipment.com is your online resource for quality parts & equipment.

Florida: **561-964-4949** Outside Florida TOLL FREE: **877-690-3101**

**Need parts?**

Click on this link: <http://www.discount-equipment.com/category/5443-parts/> and choose one of the options to help get the right parts and equipment you are looking for. Please have the machine model and serial number available in order to help us get you the correct parts. If you don't find the part on the website or on one of the online manuals, please fill out the request form and one of our experienced staff members will get back to you with a quote for the right part that your machine needs.

We sell worldwide for the brands: Genie, Terex, JLG, MultiQuip, Mikasa, Essick, Whiteman, Mayco, Toro Stone, Diamond Products, Generac Magnum, Airman, Haulotte, Barreto, Power Blanket, Nifty Lift, Atlas Copco, Chicago Pneumatic, Allmand, Miller Curber, Skyjack, Lull, Skytrak, Tsurumi, Husquvarna Target, Stow, Wacker, Sakai, Mi-T-M, Sullair, Basic, Dynapac, MBW, Weber, Bartell, Bennar Newman, Haulotte, Ditch Runner, Menegotti, Morrison, Contec, Buddy, Crown, Edco, Wyco, Bomag, Laymor, EZ Trench, Bil-Jax, F.S. Curtis, Gehl Pavers, Heli, Honda, ICS/PowerGrit, IHI, Partner, Imer, Clipper, MMD, Koshin, Rice, CH&E, General Equipment, Amida, Coleman, NAC, Gradall, Square Shooter, Kent, Stanley, Tamco, Toku, Hatz, Kohler, Robin, Wisconsin, Northrock, Oztec, Toker TK, Rol-Air, APT, Wylie, Ingersoll Rand / Doosan, Innovatech, Con X, Ammann, Mecalac, Makinex, Smith Surface Prep, Small Line, Wanco, Yanmar



## SAFETY INFORMATION



### SAFETY MESSAGES

• Safety Instructions are preceded by a graphic alert symbol of DANGER, WARNING, or CAUTION.

**DANGER**

Indicates an imminent hazard which, if not avoided, will result in death or serious injury.

**WARNING**

Indicates an imminent hazard which, if not avoided, can result in death or serious injury.

**CAUTION**

Indicates hazards which, if not avoided, could result in serious injury and or damage to the equipment.

### GASOLINE / PROPANE POWERED EQUIPMENT

**WARNING**

• Engine exhaust from this product contains chemicals known to the State of California to cause cancer, birth defects or other reproductive harm.

**WARNING**

• Tilting a gasoline powered machine fitted with an EPA approved vented charcoal filter gas cap, beyond 20° can cause fuel leakage. If a leak occurs, do not start or run the engine until the leak is fixed. Eliminate all other ignition sources in the immediate area (no smoking, flares, sparks or flames). Use approved gasoline absorbing material to contain the fuel leakage. Then use clean, non-sparking tools to collect absorbed materials then dispose of these contaminants properly.



• Gasoline is extremely flammable and poisonous. It should only be dispensed in well ventilated areas, and with a cool engine.

• Small gasoline engines produce high concentrations of carbon monoxide (CO) example: a 5 HP 4 cycle engine operation in an enclosed 100,000 cu. ft. area with only one change of air per hour is capable of providing deadly concentrations of CO in less than fifteen minutes. Five changes of air in the same area will produce noxious fumes in less than 30 minutes. Gasoline powered equipment should not be used in enclosed or partially enclosed areas. Symptoms of CO poisoning include, head-ache, nausea, weakness, dizziness, visual problems and loss of consciousness. If symptoms occur - get into fresh air and seek medical attention immediately.

- Never refuel a hot engine or an engine while it is running.
- Engines are shipped from factory without fuel/oil.



• Propane is extremely flammable and is heavier than air and tends to settle in low areas where a spark or flame could ignite gas. DO NOT start or operate this propane engine in a poorly ventilated area where leaking propane gas could accumulate and endanger safety of persons in area. If headache develops, shut off machine. Have it checked for carbon monoxide emissions by a qualified technician before using it again. To ensure personal safety, installation and repair of propane fuel supply systems must be performed only by qualified technicians. Carbon monoxide emissions from this machine are greatly increased due to a dirty combustion air cleaner.

### ELECTRICAL POWERED EQUIPMENT



Extreme care must be taken when operating electric models with water present: Ensure power cord is properly grounded, is attached to a Ground-Fault-Interrupter (GFI) outlet, and is undamaged.

- Check all electrical cables - be sure connections are tight and cable is continuous and in good condition. Be sure cable is correctly rated for both the operating current and voltage of this equipment.
- Improper connection of the equipment grounding conductor can result in a risk of electric shock. Check with qualified electrician or service person if there is any doubt as to whether the outlet is properly grounded. Adhere to all local codes and ordinances.
- NOTE: In the event of a malfunction or breakdown, grounding provides a path of least resistance for the electric current to dissipate. The motor is equipped with a grounded plug and must be connected to an outlet that is properly installed and properly grounded. DO NOT modify the plug provided on the motor. If the plug does not fit the outlet have a qualified electrician install the proper receptacle.

### ELECTRICAL POWERED EQUIPMENT CONTINUED

- Do not disconnect power by pulling cord. To disconnect, grasp the plug, not the cord.
- Unplug power cord at the machine when not in use and before servicing.
- Switch motor OFF before disconnecting power.
- Never use frayed, damaged, taped or under rated extension cords. Electrical shock could result in death or serious injury to the operator and damage to the equipment.
- Assure you are using the proper extension cord length.

### GENERAL INSTRUCTIONS

- Equipment should only be operated by trained personnel in good physical condition and mental health (not fatigued). The operator and maintenance personnel must be physically able to handle the bulk weight and power of this equipment.
- This is a one person tool. Maintain a safe operating distance to other personnel. It is the operators' responsibility to keep other people (workers, pedestrians, bystanders, etc.) away during operation. Block off the work area in all directions with roping, safety netting, etc. Failure to do so may result in others being injured by flying debris or exposing them to harmful dust and noise.
- This equipment is intended for commercial use only.
- For the operator's safety and the safety of others, always keep all guards in place during operation.
- Never let equipment run unattended.



- Personal Protection Equipment and proper safety attire must be worn when operating this machinery. The operator must wear approved safety equipment appropriate for the job such as hard hat and safety shoes when conditions require. Hearing protection MUST be used when operational noise levels of this equipment may exceed 85db. Eye protection MUST be worn at all times.



Keep body parts, loose clothing and accessories away from moving parts. Failure to do so could result in dismemberment or death.

- Do not modify the machine.
- Stop motor/engine when adjusting or servicing this equipment. Maintain a safe operating distance from flammable materials. Sparks from the cutting-action of this machine can ignite flammable materials or vapors.



### DUST WARNING



Some dust created by power sanding, sawing, grinding, drilling, and other construction activities contains chemicals known to cause cancer, birth defects, or other reproductive harm. Materials being removed can be toxic or hazardous. A breathing respirator is required to help protect the operator. Some examples of these chemicals are:

- Lead from lead-based paints.
- Crystalline silica from bricks, concrete and other masonry products. Your risk of exposure to these chemicals varies depending on how often you do this type of work. To reduce your risk: work in a well ventilated area, use a dust control system, such as an industrial-style vacuum, and wear approved personal safety equipment, such as a dust/particle respirator designed to filter out microscopic particles.
- See more on the importance of dust prevention and silica warnings at: [osha.gov/silica](http://osha.gov/silica)
- More concrete and silica dust suppression training and educational materials available at [www.discount-equipment.com](http://www.discount-equipment.com).
- Written exposure plans are provided at [www.discount-equipment.com](http://www.discount-equipment.com)

# PARTS LIST MANUAL

## MODELS 2EC-NG & 2GC-NG



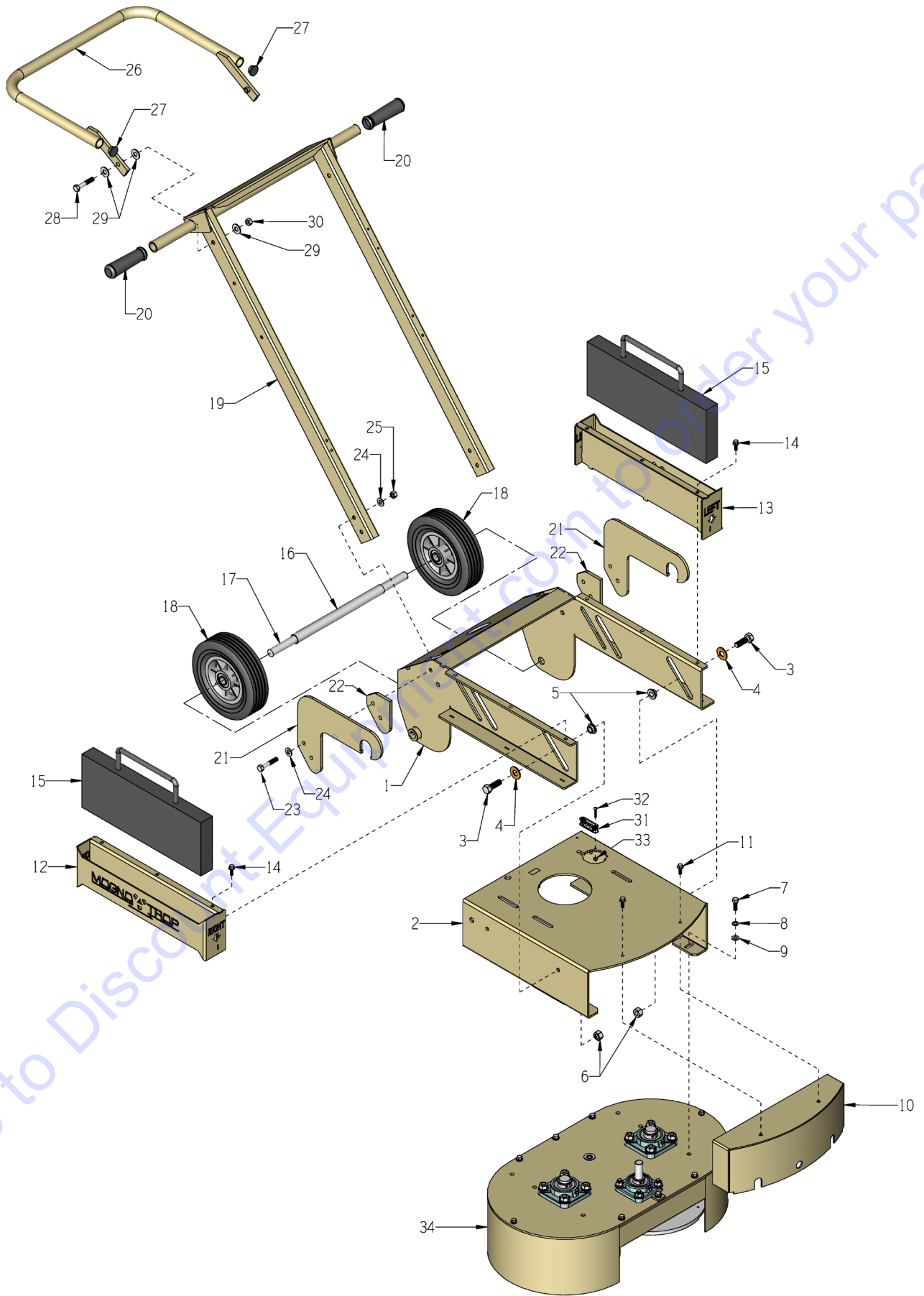
## DUAL-DISC FLOOR GRINDERS

### TABLE OF CONTENTS

<b><u>Section</u></b>	<b><u>Pages</u></b>
Safety Information .....	2
How To Order Replacement Parts .....	3
Illustration 1: Frame Grouping .....	4, 5
Illustration 2: Locking Lever Grouping .....	6, 7
Illustration 3: Skirt, Vacuum Port & Water Hook-Up Grouping .....	8, 9
Illustration 4: Gear Case Grouping .....	10, 11
Illustration 5: 10" Magna-Trap™ Disc Assembly .....	12
Illustration 6: Optional Diamond Disc Adapter .....	13
Illustration 7: Motor & Belt Drive Grouping for 1.5 HP 60Hz Units .....	14, 15
Illustration 8: Motor & Belt Drive Grouping for 2 HP 50Hz Units .....	16, 17
Illustration 9: Starter Assembly .....	18
Illustration 10: Motor & Belt Drive Grouping for 3 HP 60Hz Units .....	20, 21
Illustration 11: Engine & Belt Drive Grouping for Honda GXV340 .....	22, 23
Wiring Diagram for Switch on 1.5HP 60Hz Units .....	24
Wiring Diagram for Switch on 3HP 60Hz Units .....	25
Wiring Diagram for ACI Starter .....	26
Wiring Diagram for Baldor L3514TM Motor (Model 2EC-NG-1.5) .....	28
Wiring Diagram for Baldor L3605T-50 Motor (Model 2EC-NG-2B/50) .....	29
Wiring Diagram for Baldor L3609TM Motor (Model 2EC-NG-3B) .....	30
Wiring Diagram for Honda GXV340 .....	31
Decal Sheets .....	32, 33
Notes .....	34
Limited Equipment Warranty of Sale .....	35
STOP - Before Using This Product .....	36



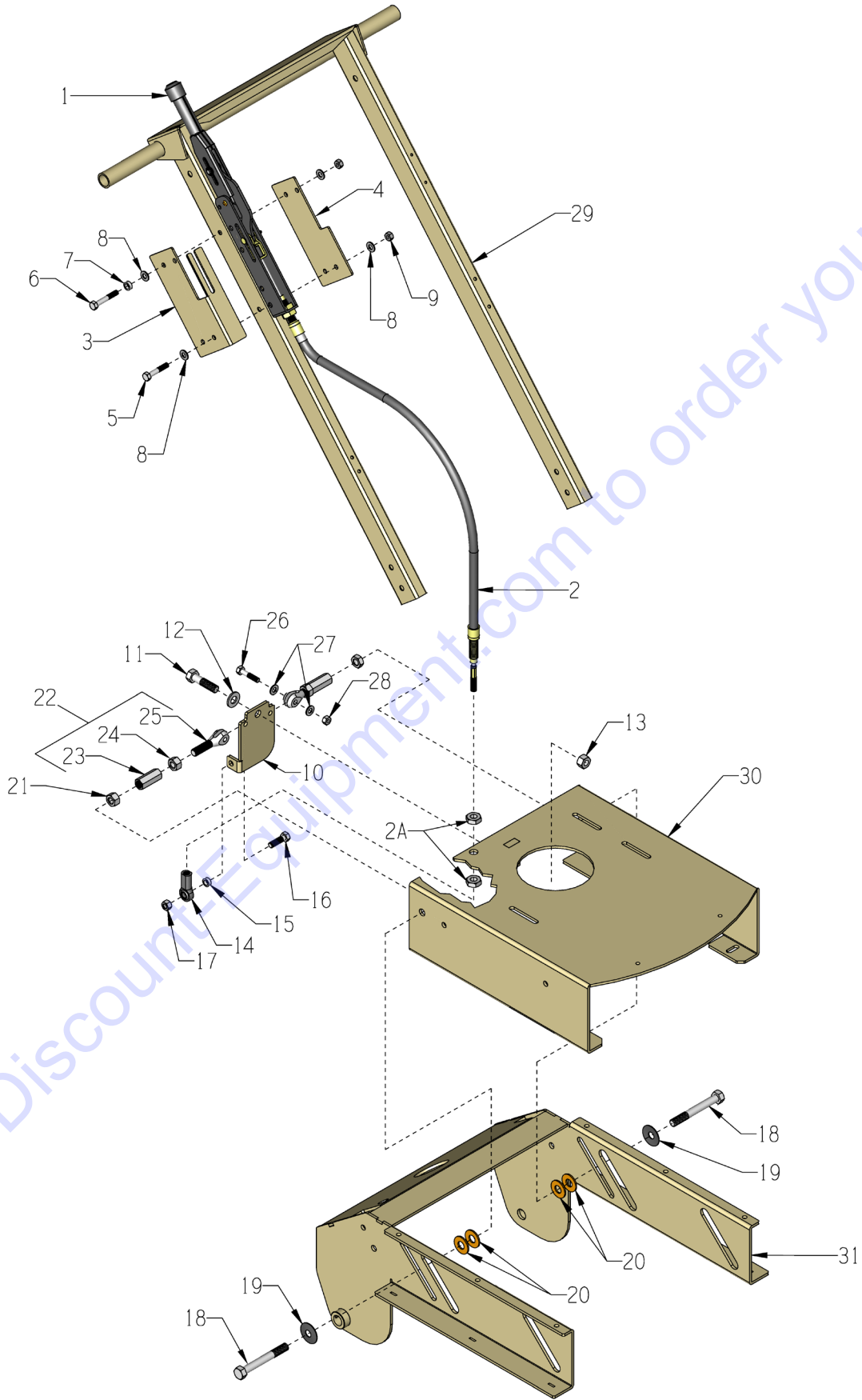
# ILLUSTRATION 1: FRAME GROUPING



Go to Discount-Equipment.com to order your parts

<b>PARTS LISTING - ILLUSTRATION 1: FRAME GROUPING</b>			
ITEM #	PART #	DESCRIPTION	QTY.
1	77601	OUTER FRAME, 2EC/GC-NG	1
2	77602	ENGINE/MOTOR DECK, 2EC/GC-NG	1
3	10308	SCREW, CAP 1/2-20 X 1-1/2	4
4	77623	WASHER, FLAT 1/2" SILICON BRONZE	4
5	77622M	FLANGED-SLEEVE, BRONZE (MODIFIED)	4
6	10154	NUT, HEX NYLON LOCK 1/2-20 ZINC	4
7	10806	SCREW, CAP 5/16-18 X 1	6
8	10801	WASHER, LOCK 5/16 ZINC	6
9	10213	WASHER, FLAT 5/16 SAE ZINC	6
10	77603	HOOD, 2EC/GC-NG	1
11	11811	BOLT, FLANGE 1/4-20 X 3/4 ZINC	2
12	77617R	HOLDER RH SIDE, WEIGHT BLOCK	1
13	77617L	HOLDER LH SIDE, WEIGHT BLOCK	1
14	11811	BOLT, FLANGE 1/4-20 X 3/4 ZINC	6
15	77506	WEIGHT BLOCK, 40 LB. (OPTIONAL)	2
16	101171	WHEEL SPACER, 2EC/GC-NG	1
17	77606	AXLE SHAFT 3/4 X 17-1/2	1
18	79013	WHEEL, 8 X 2-1/2 X 3/4"BRG.POLY HUB	2
19	77607	HANDLE BAR, 2EC/GC-NG	1
20	10608	GRIP, HAND 1" MODEL AT	2
21	77632	LIFTING HOOK BRACKET, 2ECGC-NG	2
22	77635	LIFTING HOOK SPACER, 2GC-NG (GASOLINE MODEL ONLY)	2
23	10336	SCREW, CAP 3/8-24 X 2-1/4	4
24	10025	WASHER, FLAT 3/8 SAE ZINC	8
25	10058	NUT, HEX LOCK 3/8-24 W/ NYLON PATCH	4
26	77624	HANDLE EXTENSION	1
27	77528	PLUG, BLACK 1"RD. TUBING 10-14 GA.	2
28	10336	SCREW, CAP 3/8-24 X 2-1/4	2
29	10025	WASHER, FLAT 3/8 SAE ZINC	6
30	10152	NUT, HEX NYLON LOCK 3/8-24 ZINC	2
31	59117	LEVEL, SCREW ON	1
32	11871	SCREW, MACHINE FHP 8-32 X 1-1/4	2
33	10462	NUT, KEPS LOCK 8-32 ZINC	2
34	N/A	GEAR CASE ASSEMBLY (REFER TO ILLUS. 4 FOR BREAKDOWN)	1

### ILLUSTRATION 2: LOCKING LEVER GROUPING

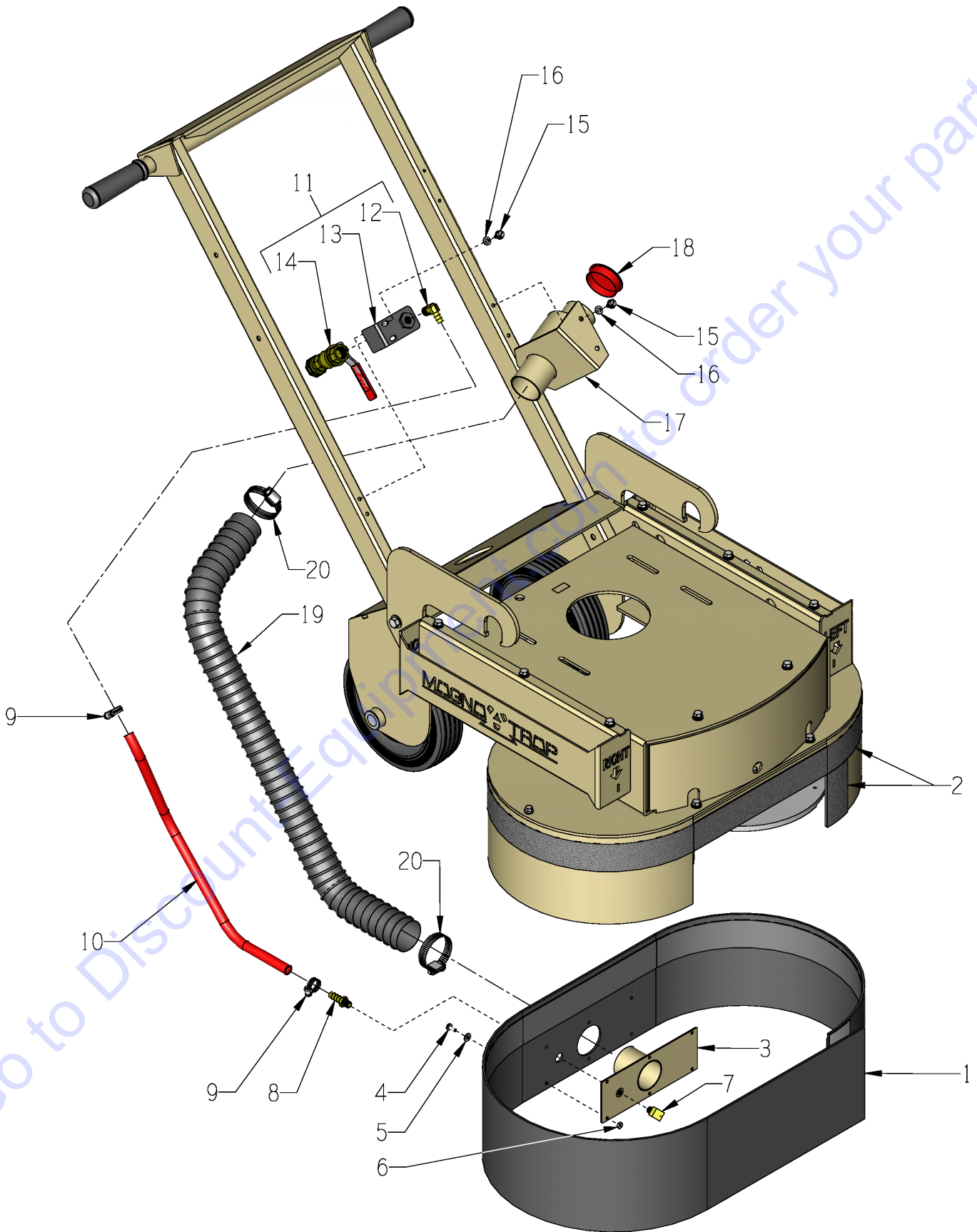


Go to DiscountedEquipment.com to order your parts

<b>PARTS LISTING - ILLUSTRATION 2: LOCKING LEVER GROUPING</b>			
ITEM #	PART #	DESCRIPTION	QTY.
1	77620	LEVER, LOCKING, 2EC/GC-NG	1
2	77621	CABLE, LOCKING LEVER, 2EC/GC-NG	1
2A	N/A	JAM NUT (INCLUDED W/ CABLE, ITEM 2)	2
3	77609	BRACKET 2, LOCKING LEVER, 2EC/GC-NG	1
4	77608	BRACKET 1, LOCKING LEVER, 2EC/GC-NG	1
5	10204	SCREW, CAP 5/16-18 X 1-3/4	3
6	10380	SCREW, CAP 5/16-18 X 2	1
7	10113	SPACER, STEEL 9/16OD X 3/8ID X 7/32	1
8	10213	WASHER, FLAT 5/16 SAE ZINC	8
9	10151	NUT, HEX NYLON LOCK 5/16-18 ZINC	4
10	77610	PIVOT BRACKET, LOCK LEVER	1
11	10308	SCREW, CAP 1/2-20 X 1-1/2	1
12	10312	WASHER, FLAT 1/2 SAE ZINC	1
13	10154	NUT, HEX NYLON LOCK 1/2-20 ZINC	1
14	10919	ROD END, FEMALE 3/8-24 R.H. THREAD	1
15	10113	SPACER, STEEL 9/16OD X 3/8ID X 7/32	1
16	10309	SCREW, CAP 3/8-24 X 1-1/4 ZINC	1
17	10058	NUT, HEX LOCK 3/8-24 W/ NYLON PATCH	1
18	10339	SCREW, CAP 1/2-20 X 4	2
19	10433	WASHER, BELLEVILLE 1/2ID X 3/32THK	2
20	77623	WASHER, FLAT 1/2" SILICON BRONZE	4
21	10072	NUT, HEX 1/2-20 ZINC	2
22	77633A	CLEVIS & ROD COUPLING ASSY. (INCLUDES ITEM 23, 24, &25)	2
23	77634	ROD COUPLING 1/2-20 X 1-3/4 ZINC	2
24	10072	NUT, HEX 1/2-20 ZINC	2
25	77633	CLEVIS ROD END, MALE SHANK 1/2-20	2
26	10606	SCREW, CAP 5/16-18 X 1-1/4	2
27	10213	WASHER, FLAT 5/16 SAE ZINC	4
28	10151	NUT, HEX NYLON LOCK 5/16-18 ZINC	2
29	77607	HANDLE BAR, 2EC/GC-NG (REFER TO ILLUS. 1, ITEM 19)	1
30	77602	ENGINE/MOTOR DECK, 2EC/GC-NG (REFER TO ILLUS. 1, ITEM 2)	1
31	77601	OUTER FRAME, 2EC/GC-NG (REFER TO ILLUS. 1, ITEM 1)	1

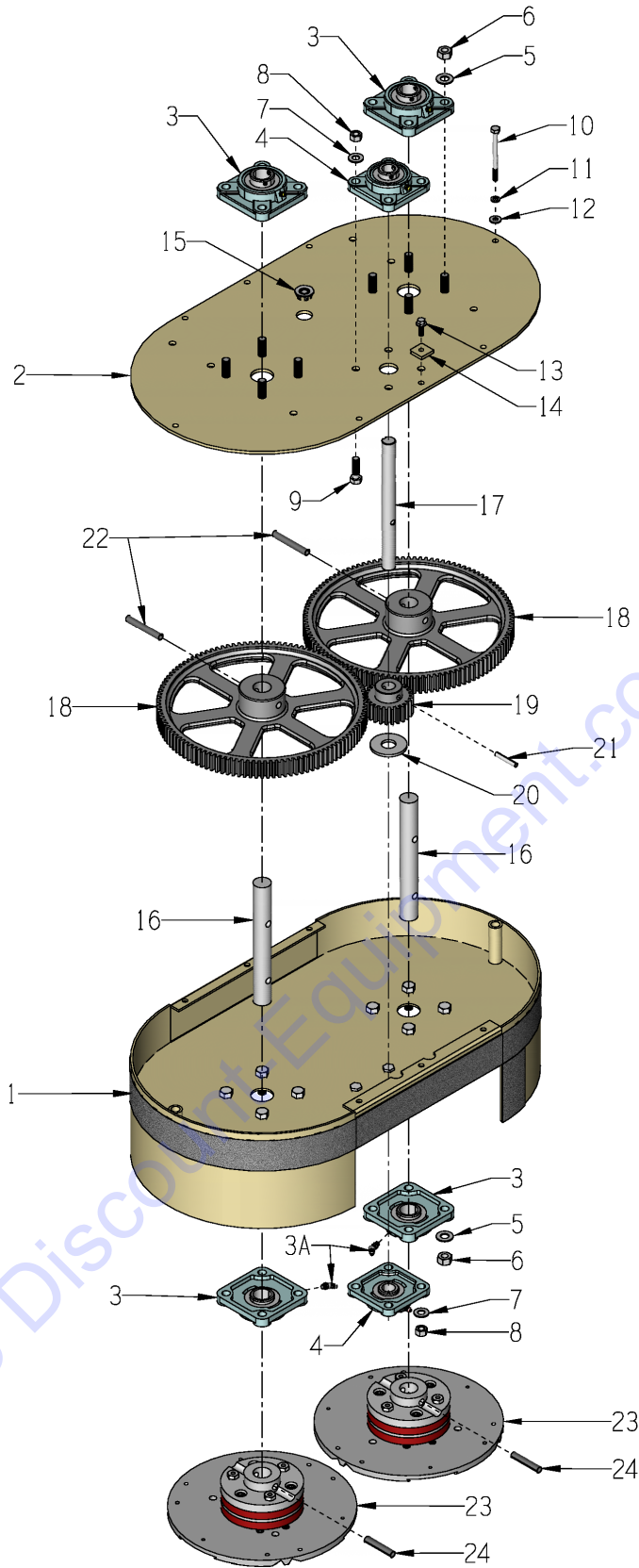


ILLUSTRATION 3: SKIRT, VACUUM PORT & WATER HOOK-UP GROUPING



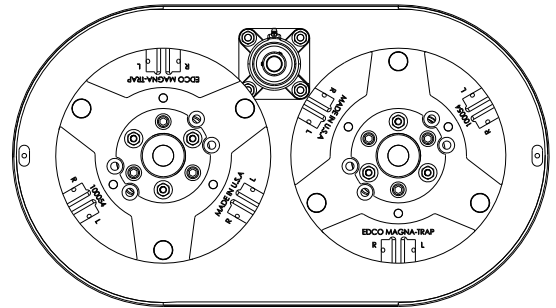
<b>PARTS LISTING - ILLUSTRATION 3: SKIRT, VACUUM PORT &amp; WATER HOOK-UP GROUPING</b>			
<b>ITEM #</b>	<b>PART #</b>	<b>DESCRIPTION</b>	<b>QTY.</b>
1	77615	RUBBER SKIRT ONLY, 2-EC/GC-NG	1
2	77619	VELCRO-HOOK ONLY 2" X 84" (TRIMMED TO SIZE)	1
3	77614	VACUUM PORT PANEL, 2EC/GC-NG	1
4	10830	SCREW, MACHINE PPH 10-32 X 1/2	6
5	10850	WASHER, FLAT #10 SAE ZINC	6
6	11801	NUT, HEX NYLON LOCK 10-32 ZINC	6
7	10772	ELBOW, STREET 1/8NPT X 45 (BRASS)	1
8	10694	BARB, 3/8HOSE X 1/8MPT	1
9	10714	CLAMP, HOSE, SAE #4, ADJ. TO 5/8"	2
10	56315	HOSE, WATER 3/8"ID X 24"L	1
11	100153	WATER VALVE & BRKT. ASSY. (INCLUDES ITEMS 12, 13 & 14)	1
12	10799	BARB ELBOW 90, 3/8HOSE X 1/4MPT	1
13	56022	BRACKET, WATER VALVE	1
14	10711A	VALVE & HOSE CONNECTOR ASSY.	1
15	10846	SCREW, CAP STSHW 1/4-20 X 1/2	2
16	10038	WASHER, LOCK 1/4 ZINC	2
17	86347	BRACKET, MULTI-VAC PORT 2-3"	1
18	65021	CAP/PLUG 2" RED PLASTIC, FLANGED	1
19	77113	HOSE, FLEX 2"ID X 32"L	1
20	10766	CLAMP, HOSE, SAE #32, ADJ. TO 2-1/2	2

**ILLUSTRATION 4: GEAR CASE GROUPING**



**DISC ORIENTATION**

INSTALL DISC IN OPPOSITE DIRECTIONS SO THEY WILL PASS EACH OTHER AT THE CENTER IN A ALTERNATING SEQUENCE.



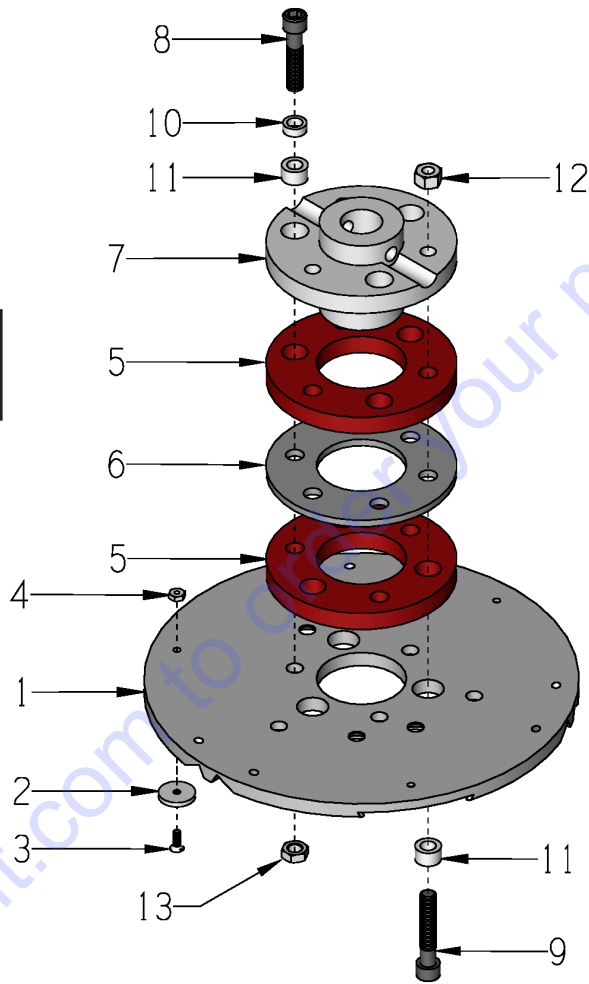
BOTTOM VIEW

PARTS LISTING - ILLUSTRATION 4: GEAR CASE GROUPING			
ITEM #	PART #	DESCRIPTION	QTY.
1	77612	GEAR CASE, 2EC/GC-NG	1
2	77613	GEAR CASE COVER, 2EC/GC-NG	1
3	77008	BEARING, BALL 1" 4-HOLE FLANGE, ND	4
3A	10960	FITTING, GREASE 1/4-28 X 45° NOTE: A STRAIGHT FITTING IS INCLUDED WITH THE BEARINGS. THE 2 BEARINGS ON THE BOTTOM HAVE THE FITTINGS CHANGED.	2
4	77009	BEARING, BALL 3/4" 4-HOLE FLANGE	2
5	10450	WASHER, LOCK 7/16 ZINC	16
6	10481	NUT, HEX 7/16-20 ZINC	16
7	10811	WASHER, LOCK 3/8 ZINC	8
8	10014	NUT, HEX 3/8-24 ZINC	8
9	10309	SCREW, CAP 3/8-24 X 1-1/4 ZINC	4
10	10475	SCREW, CAP 1/4-20 X 3-1/4	2
11	10038	WASHER, LOCK 1/4 ZINC	2
12	10602	WASHER, FLAT 1/4 SAE ZINC	2
13	11811	BOLT, FLANGE 1/4-20 X 3/4 ZINC	6
14	77631	HOOD SPACER	1
15	10005	PLUG, HOLE 7/8" BRIGHT ZINC	1
16	77013	SHAFT, LARGE GEAR 1"DIA X 7-13/16"L	2
17	77626	SHAFT, PINION GEAR 3/4DIA X 8-3/8"L	1
18	77012	GEAR, SPUR 112 TOOTH (DRIVEN)	2
19	77053	GEAR, SPUR 25 TOOTH (PINION)	1
20	10009	WASHER, FLAT 3/4 SAE ZINC	1
21	10037	PIN, ROLL 1/4 X 1-1/2	1
22	10007	PIN, ROLL 3/8 X 2-1/2	2
23	100053	10" MAGNA-TRAP DISC ASSY. W/ HUB (REFER TO ILLUS. 5 FOR BREAKDOWN)	2
24	10007	PIN, ROLL 3/8 X 2-1/2	2



**ILLUSTRATION 5:  
10" MAGNA-TRAP® DISC ASSEMBLY**

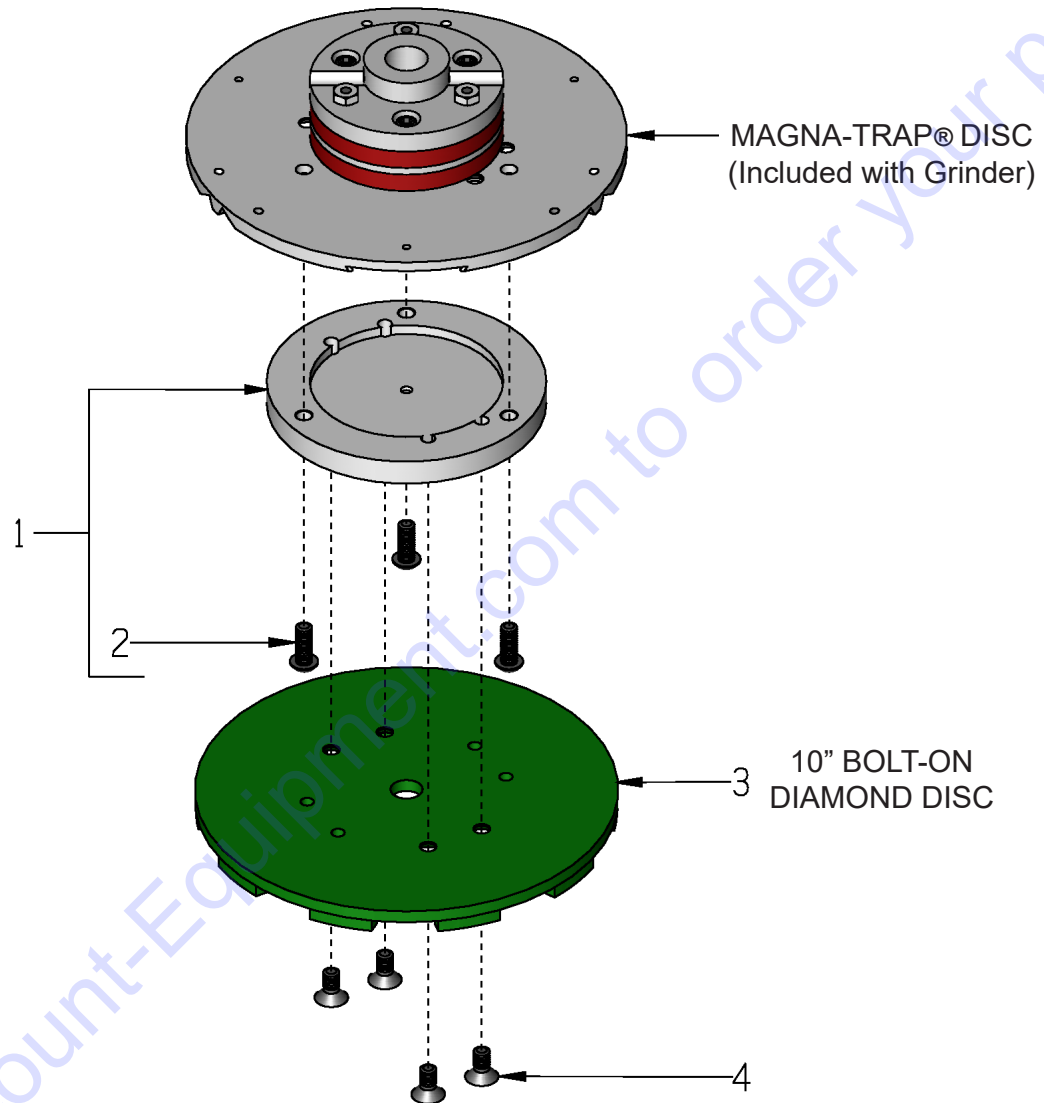
**PART # 100053**



ITEM #	PART #	DESCRIPTION	QTY.
1-13	100053	10" MAGNA-TRAP DISC ASSY. W/ HUB (INCLUDES ALL ITEMS 1 THRU 13)	1
1	100054	10" UNIVERSAL MAGNA-TRAP DISC (INCLUDES ITEM 2)	1
2	36064	MAGNET, NEODYMIUM RING 7/8 X 1/8 (REPLACEMENT - USE HARDWARE)	3
3	10647	SCREW, FLAT HD PHILLIPS 8-32 X 1/2	3
4	10462	NUT, KEPS LOCK 8-32 ZINC	3
5	100055	RING, RUBBER, 4-1/2"OD X 1/2"THK	2
6	100056	HUB CARRIER RING, GRINDER	1
7	100057	HUB, GRINDER DISC	1
8	10354	SCREW, SKT. HD. CAP 3/8-24 X 1-3/4	3
9	10012	SCREW, SKT. HD. CAP 3/8-24 X 2	3
10	10113	SPACER, STEEL 9/16OD X 3/8ID X 7/32	3
11	10011	SPACER, STEEL 5/8OD X 3/8ID X 3/8T	6
12	10058	NUT, HEX LOCK 3/8-24 W/ NYLON PATCH	3
13	11725	NUT, HEX JAM 3/8-24 ZINC (USE RED LOCTITE)	3

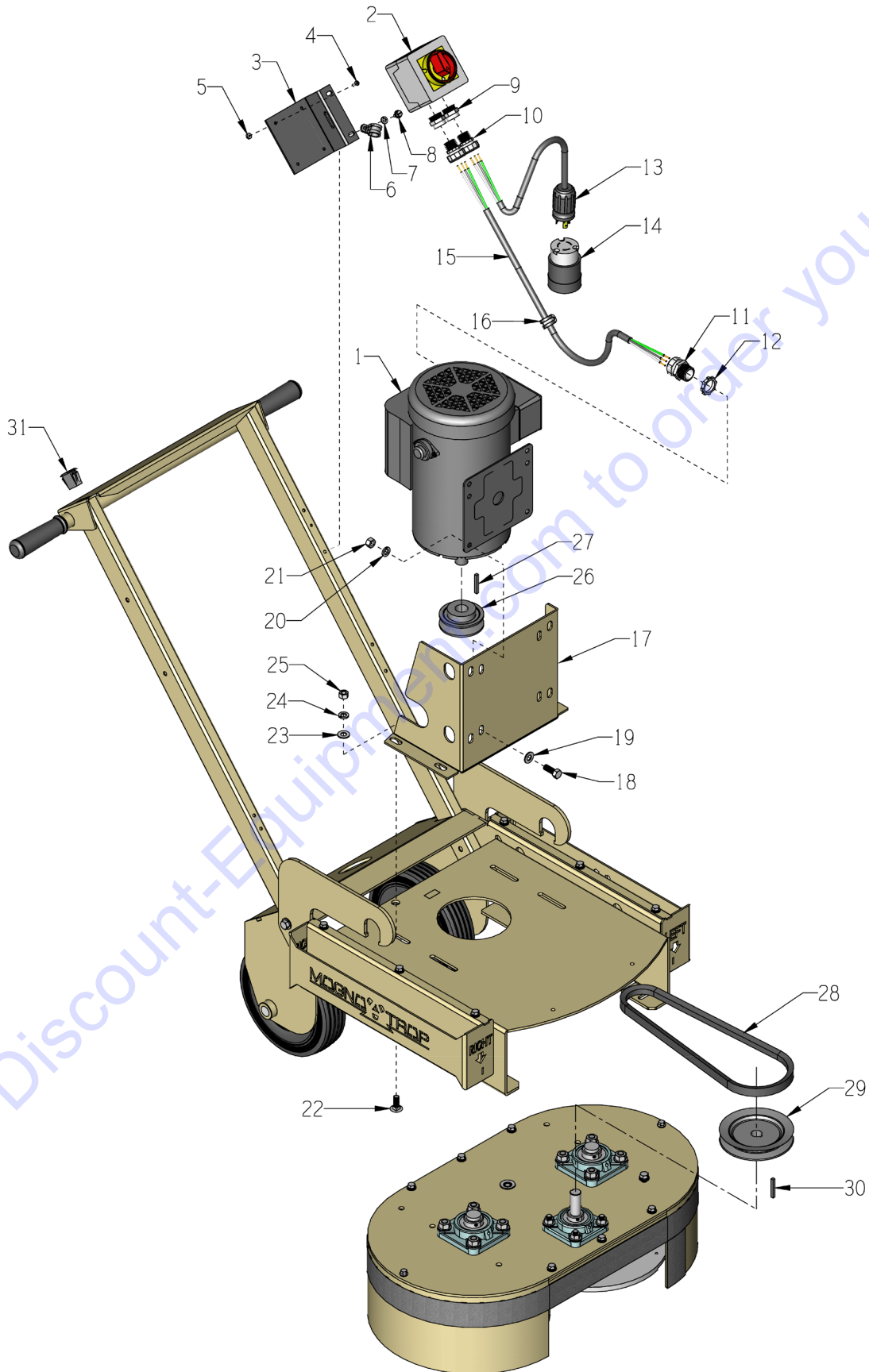
**ILLUSTRATION 6:  
OPTIONAL DIAMOND DISC ADAPTER**

**PART # 77618**



ITEM #	PART #	DESCRIPTION	QTY.
1	77618	ADAPTER, DIAMOND DISC (INCLUDES ITEM 2)	1
2	10855	SCREW, SKT. BUTTON HD 3/8-24 X 1	3
3*	-----	DIAMOND DISC (NOT INCLUDED) REFER TO PRODUCT CATALOG FOR OPTIONS.	1*
4*	86108	SCREW, FLAT HD SKT 3/8-24 X 3/4 (NOT INCLUDED)	4*
*ITEMS 3 AND 4 ARE NOT INCLUDED WITH THE DISC ADAPTER. THEY ARE SHOWN FOR ASSEMBLY PURPOSE ONLY.			

**ILLUSTRATION 7:  
MOTOR & BELT DRIVE GROUPING FOR 1.5HP 60Hz UNITS**



# PARTS FINDER

**Search Website  
by Part Number**



**Search Manual  
Library For Parts  
Manual & Lookup Part  
Numbers – Purchase  
or Request Quote**

**Search Manuals**

Enter your information to help us find the right parts manual for your machine.

\* Brand:

\* Model:

\* Serial:

\* Part Number:

SEARCH

**Can't Find Part or  
Manual? Request Help  
by Manufacturer,  
Model & Description**

**Parts Order Form**

Please fill in the following information to help us find the right part for your machine.

Manufacturer:	<input type="text"/>
Model:	<input type="text"/>
Description:	<input type="text"/>
Part Number:	<input type="text"/>
Quantity:	<input type="text"/>
Notes:	<input type="text"/>

Submit

Discount-Equipment.com is your online resource for quality parts & equipment.

Florida: **561-964-4949** Outside Florida TOLL FREE: **877-690-3101**

**Need parts?**

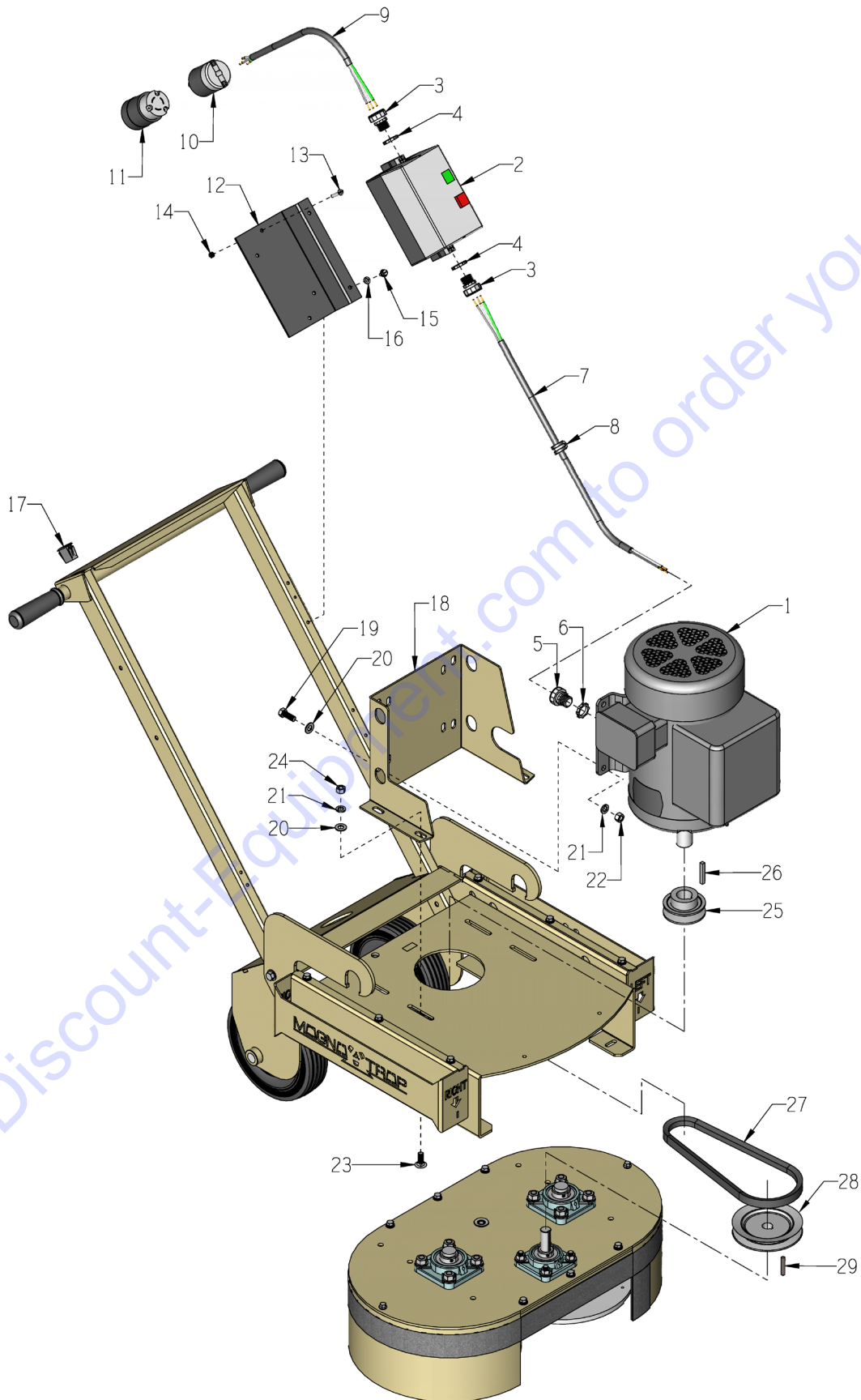
Click on this link: <http://www.discount-equipment.com/category/5443-parts/> and choose one of the options to help get the right parts and equipment you are looking for. Please have the machine model and serial number available in order to help us get you the correct parts. If you don't find the part on the website or on one of the online manuals, please fill out the request form and one of our experienced staff members will get back to you with a quote for the right part that your machine needs.

We sell worldwide for the brands: Genie, Terex, JLG, MultiQuip, Mikasa, Essick, Whiteman, Mayco, Toro Stone, Diamond Products, Generac Magnum, Airman, Haulotte, Barreto, Power Blanket, Nifty Lift, Atlas Copco, Chicago Pneumatic, Allmand, Miller Curber, Skyjack, Lull, Skytrak, Tsurumi, Husquvarna Target, Stow, Wacker, Sakai, Mi-T-M, Sullair, Basic, Dynapac, MBW, Weber, Bartell, Bennar Newman, Haulotte, Ditch Runner, Menegotti, Morrison, Contec, Buddy, Crown, Edco, Wyco, Bomag, Laymor, EZ Trench, Bil-Jax, F.S. Curtis, Gehl Pavers, Heli, Honda, ICS/PowerGrit, IHI, Partner, Imer, Clipper, MMD, Koshin, Rice, CH&E, General Equipment, Amida, Coleman, NAC, Gradall, Square Shooter, Kent, Stanley, Tamco, Toku, Hatz, Kohler, Robin, Wisconsin, Northrock, Oztec, Toker TK, Rol-Air, APT, Wylie, Ingersoll Rand / Doosan, Innovatech, Con X, Ammann, Mecalac, Makinex, Smith Surface Prep, Small Line, Wanco, Yanmar



<b>PARTS LISTING - ILLUSTRATION 7: MOTOR &amp; BELT DRIVE GROUPING FOR 1.5HP 60Hz UNITS</b>			
ITEM #	PART #	DESCRIPTION	QTY.
1	<b>16083</b>	<b>MOTOR, BALDOR 1.5HP-1P-60HZ-115/230V-1725RPM BALDOR CAT. NO. L3514TM</b>	<b>1</b>
	40051	CAPACITOR, START, BALDOR EC1645A06 (645-774MFD 125V)	1
	16547	CAPACITOR, RUN, BALDOR OC3015F12SP (15MFD/370V)	1
	16101	RESET BUTTON, BALDOR TPCRT31CASP	1
2	<b>77043</b>	<b>SWITCH, ROTARY CAM ON/OFF</b>	<b>1</b>
	77043-2	SWITCH HANDLE, PADLOCKABLE, LOVATO	1
	77043-4	GASKET RING, OPERATOR, LOVATO	1
3	77042	BRACKET, ROTARY CAM SWITCH	1
4	11663	SCREW, MACHINE 8-32 X 1/2 RHCD ZINC (LOCATED INSIDE OF SWITCH BOX)	4
5	10462	NUT, KEPS LOCK 8-32 ZINC	4
6	11690	CLAMP, LOOM, 3/8"	1
7	10038	WASHER, LOCK 1/4 ZINC	2
8	10846	SCREW, CAP STSHW 1/4-20 X 5/8	2
9	77043-1	SWITCH ADAPTER, PG16 TO 1/2"NPT	2
10	40066	STRAIN RELIEF 1/2NPT X .350-.450"	2
11	16176	STRAIN RELIEF 3/4NPT X .350-.450"	1
12	10740	CONDUIT LOCK NUT 3/4 NP	1
13	77044	PLUG W/ 12/3 CORD, LOCKING L5-20P	1
14	40041	CONNECTOR, LOCKING 20A/125V L5-20C	1
15	77045	WIRE HARNESS 12/3 X 42"LOA	1
16	11565	CLAMP, LOOM, 5/8" (SAE SIZE 10)	1
17	77037	MOUNT, MOTOR	1
18	10806	SCREW, CAP 5/16-18 X 1	4
19	10213	WASHER, FLAT 5/16 SAE ZINC	4
20	10801	WASHER, LOCK 5/16 ZINC	4
21	10054	NUT, HEX 5/16-18 ZINC	4
22	10802	BOLT, CARRIAGE 3/8-16 X 1 ZINC	4
23	10025	WASHER, FLAT 3/8 SAE ZINC	4
24	10811	WASHER, LOCK 3/8 ZINC	4
25	10404	NUT, HEX 3/8-16 ZINC	4
26	77017	SHEAVE 3"OD X 1GR.B X 7/8"BORE	1
27	N/A	KEY 3/16SQ X 1-3/8 (INCLUDED W/ MOTOR)	1
28	10035	BELT 5L-330 OR B30	1
29	3654	SHEAVE 5"OD X 1GR.B X 3/4"BORE	1
30	10016	KEY 3/16SQ X 1-1/2	1
31	15204	PLUG, RECT. HOLE, PLASTIC SNAP-IN	1

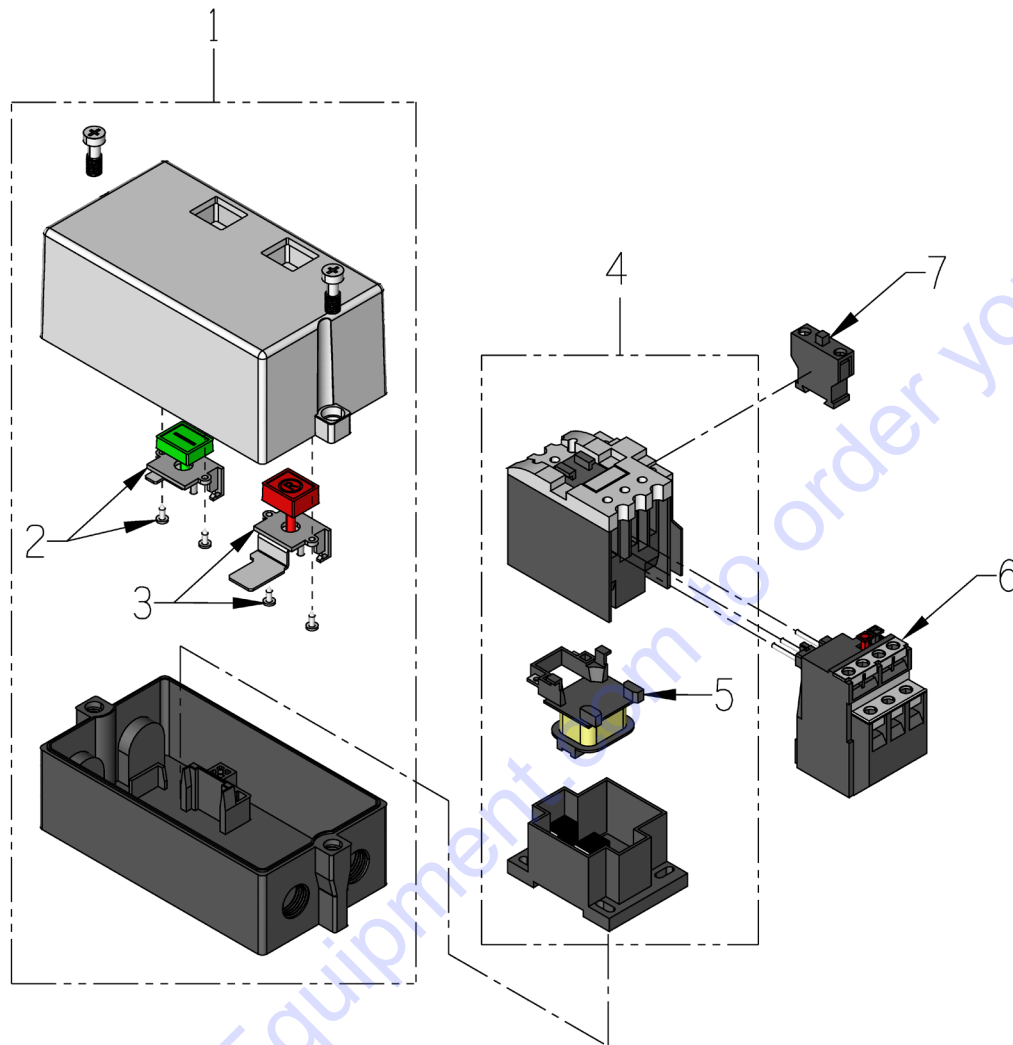
**ILLUSTRATION 8:  
MOTOR & BELT DRIVE GROUPING FOR 2HP 50Hz UNITS**



<b>PARTS LISTING - ILLUSTRATION 8: MOTOR &amp; BELT DRIVE GROUPING FOR 2HP 50Hz UNITS</b>			
ITEM #	PART #	DESCRIPTION	QTY.
1	<b>16019</b>	<b>MOTOR, BALDOR 2HP-1PH-50HZ-110/220V-20/10A BALDOR CAT. #L3605T-50</b>	<b>1</b>
	40051	CAPACITOR, START, BALDOR EC1645A06 (645-774MFD 125V)	1
	16164	CAPACITOR, RUN, BALDOR OC3040F18SP (40MFD 370V)	1
2	16470	STARTER ACI #128839, 110V 50Hz 17.5-21.5A OL	1
	16460	STARTER ACI #128840, 220V 50Hz 9.0-12.5A OL (SEE ILLUS. 9 FOR REPLACEMENT PARTS)	1
3	40066	STRAIN RELIEF 1/2NPT X .350-.450"	2
4	10790	CONDUIT LOCK NUT 1/2 NP (LOCATED INSIDE THE STARTER BOX)	2
5	16176	STRAIN RELIEF 3/4NPT X .350-.450"	1
6	10740	CONDUIT LOCK NUT 3/4 NP	1
7	77084	WIRE HARNESS 12/3 300V X 55"LOA	1
8	11565	CLAMP, LOOM, 5/8" (SAE SIZE 10)	1
9	77085	WIRE HARNESS 12/3 300V X 24"LOA	1
10	40037	PLUG, LOCKING 20A/250V L6-20P	1
11	40000	CONNECTOR, LOCKING 20A/250V L6-20C	1
12	86027	MOUNTING BRKT., STARTER	1
13	11732	SCREW, MACHINE 10-32 X 1-3/4 RHP	2
	10384	SCREW, MACHINE 10-32 X 1 RHP (INSIDE BOX)	1
14	10832	NUT, KEPS LOCK 10-32 ZINC	2
15	10846	SCREW, CAP STSHW 1/4-20 X 5/8	2
16	10038	WASHER, LOCK 1/4 ZINC	2
17	15204	PLUG, RECT. HOLE, PLASTIC SNAP-IN	1
18	77037	MOUNT, MOTOR	1
19	10021	SCREW, CAP 3/8-24 X 1	4
20	10025	WASHER, FLAT 3/8 SAE ZINC	8
21	10811	WASHER, LOCK 3/8 ZINC	8
22	10014	NUT, HEX 3/8-24 ZINC	4
23	10802	BOLT, CARRIAGE 3/8-16 X 1 ZINC	4
24	10404	NUT, HEX 3/8-16 ZINC	4
25	77030	SHEAVE 3"OD X 1GR.B X 1-1/8"BORE	1
26	N/A	KEY 1/4SQ X 1.75 (INCLUDED W/ MOTOR)	1
27	10047	BELT 5L-300 OR B27	1
28	3654	SHEAVE 5"OD X 1GR.B X 3/4"BORE	1
29	10016	KEY 3/16SQ X 1-1/2	1

### ILLUSTRATION 9: STARTER ASSEMBLY

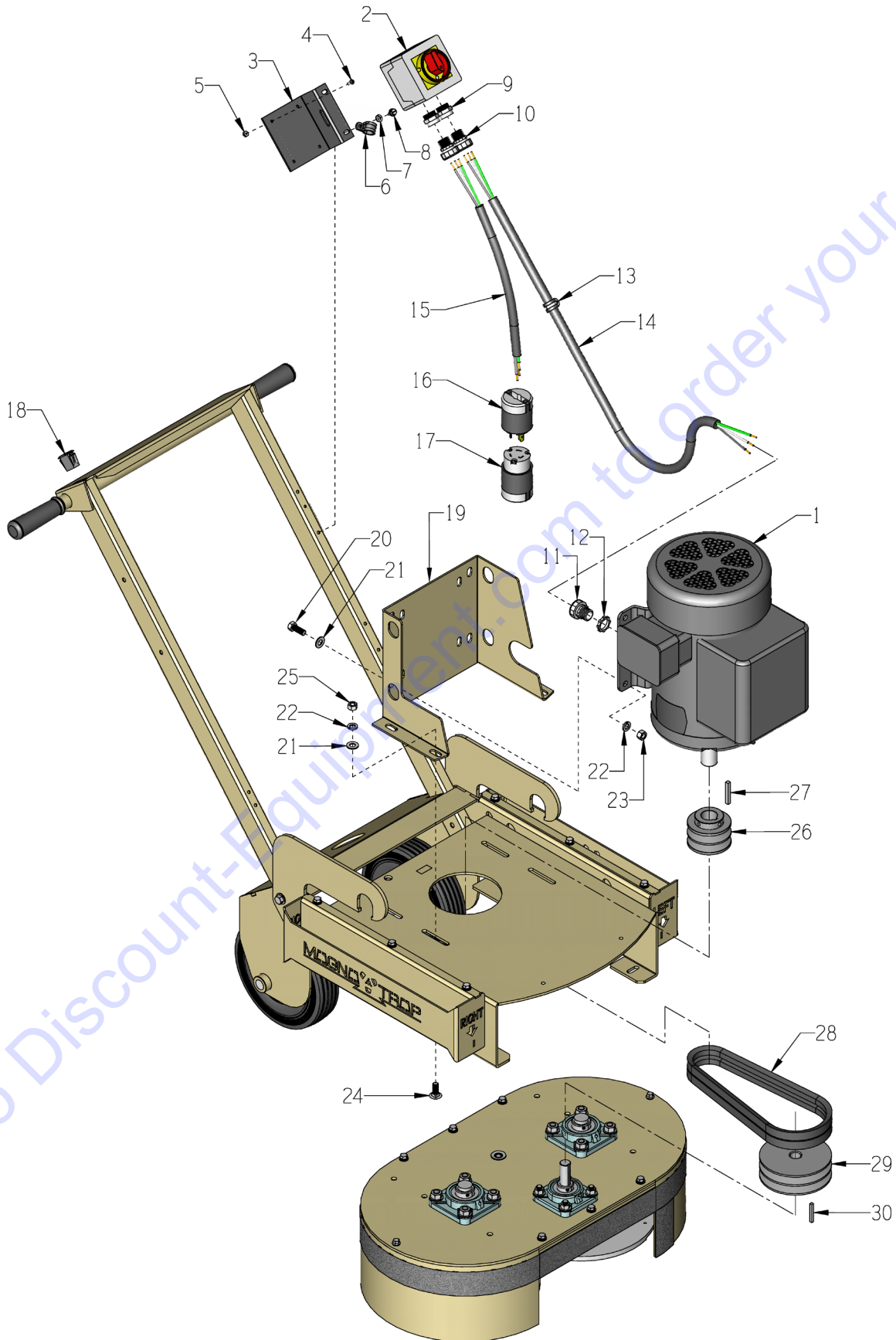
#### REPLACEMENT PARTS



ITEM #	PART #	DESCRIPTION	QTY.
1	16652	STARTER BOX ONLY, START-STOP (INCLUDES ITEM 2 & 3)	1
2	16656	START PUSHBUTTON ASSY., GREEN	1
3	16655	STOP/RESET PUSHBUTTON ASSY., RED	1
4	16616 16617	CONTACTOR WITH COIL: (INCLUDES ITEM 5) STARTER CONT./COIL ACI SK18.310-120 (110V 50Hz) STARTER CONT./COIL ACI SK18.310-230 (220V 50Hz)	1
5	16621 16622	STARTER AC COIL ONLY: AC COIL 120V-60HZ, 110-50HZ AC COIL 200/240V-60HZ, 190/220-50HZ	1
6	16637 16634	STARTER OVERLOAD RELAY: O/L RELAY 17.5-21.5 AMP (110V 50Hz) O/L RELAY 9.0-12.5 AMP (220V 50Hz)	1
7	16667	START SWITCH, SS-1, ACI #132936	1



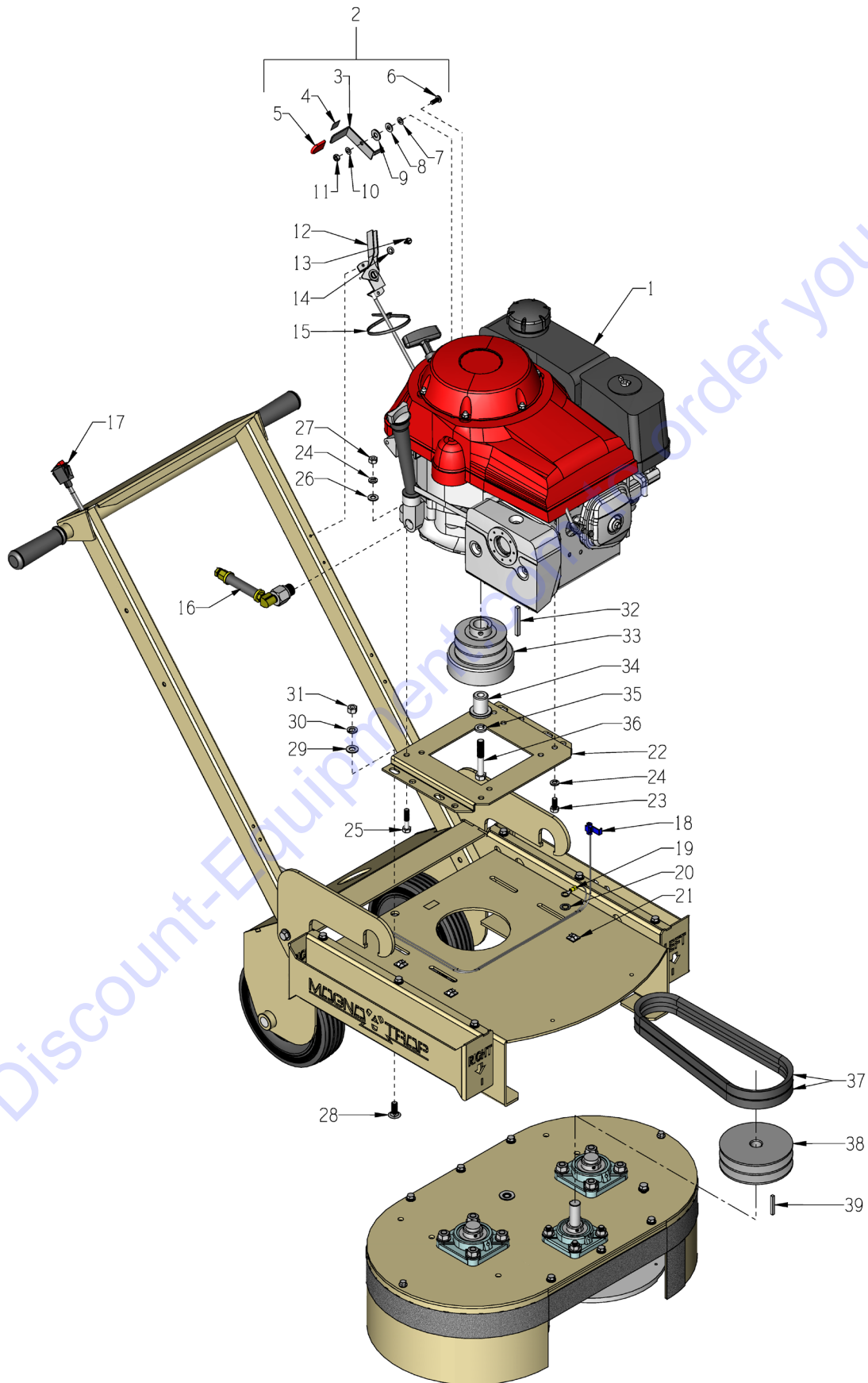
**ILLUSTRATION 10:  
MOTOR & BELT DRIVE GROUPING FOR 3HP 60Hz UNITS**



Go to Discount-Equipment.com to order your parts

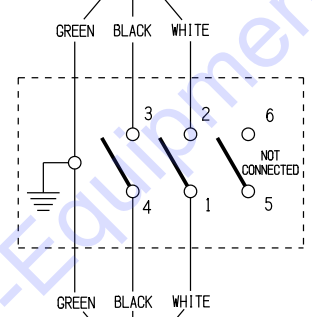
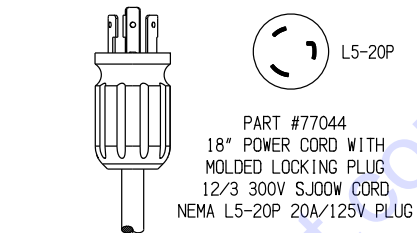
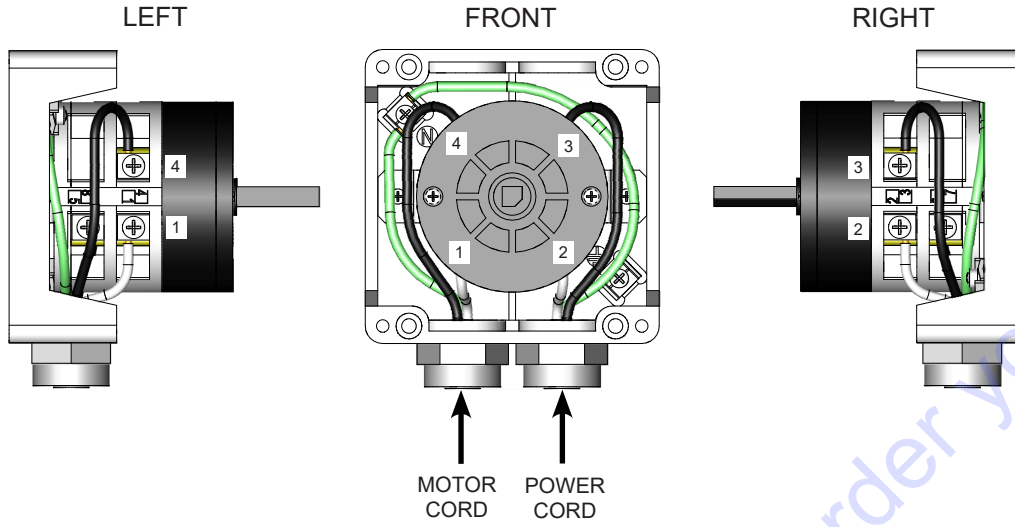
<b>PARTS LISTING - ILLUSTRATION 10: MOTOR &amp; BELT DRIVE GROUPING FOR 3HP 60Hz UNITS</b>			
ITEM #	PART #	DESCRIPTION	QTY.
1	<b>16082</b>	<b>MOTOR, BALDOR 3HP-1PH-60HZ-1725RPM-230V-14.5A BALDOR CAT. #L3609TM</b> <i>REPLACEMENT PARTS:</i>	<b>1</b>
	16561	CAPACITOR, START, BALDOR EC1815A06 (115V)	1
	16536	CAPACITOR, RUN, BALDOR OC3060F10 (60MFD 370V)	1
	16562	RESET BUTTON TPBRJ35DB	1
2	<b>77043</b>	<b>SWITCH, ROTARY CAM ON/OFF</b> <i>REPLACEMENT PARTS:</i>	<b>1</b>
	77043-2	SWITCH HANDLE, PADLOCKABLE, LOVATO	1
	77043-4	GASKET RING, OPERATOR, LOVATO	1
3	77042	BRACKET, ROTARY CAM SWITCH	1
4	11663	SCREW, MACHINE 8-32 X 1/2 (LOCATED INSIDE OF SWITCH BOX)	4
5	10462	NUT, KEPS LOCK 8-32 ZINC	4
6	11690	CLAMP, LOOM, 3/8"	1
7	10038	WASHER, LOCK 1/4 ZINC	2
8	10846	SCREW, CAP STSHW 1/4-20 X 5/8	2
9	77043-1	SWITCH ADAPTER, PG16 TO 1/2"NPT	2
10	41130	STRAIN RELIEF 1/2NPT X .550-.650"	2
11	10959	STRAIN RELIEF 3/4 NPT X .500-.625"	1
12	10740	CONDUIT LOCK NUT 3/4 NP (LOCATED INSIDE OF THE JUNCTION BOX))	1
13	11565	CLAMP, LOOM, 5/8" (SAE SIZE 10)	2
14	77086	WIRE HARNESS 10/3 300V X 57"LOA	1
15	86026	WIRE HARNESS 10/3 300V X 24"LOA	1
16	40037	PLUG, LOCKING 20A/250V L6-20P	1
17	40000	CONNECTOR, LOCKING 20A/250V L6-20C	1
18	15204	PLUG, RECT. HOLE, PLASTIC SNAP-IN	1
19	77037	MOUNT, MOTOR	1
20	10021	SCREW, CAP 3/8-24 X 1	4
21	10025	WASHER, FLAT 3/8 SAE ZINC	8
22	10811	WASHER, LOCK 3/8 ZINC	8
23	10014	NUT, HEX 3/8-24 ZINC	4
24	10802	BOLT, CARRIAGE 3/8-16 X 1 ZINC	4
25	10404	NUT, HEX 3/8-16 ZINC	4
26	79023	SHEAVE 3"OD X 2GR.B X 1-1/8"BORE	1
27	N/A	KEY 1/4SQ X 1.75 (INCLUDED W/ MOTOR)	1
28	10047	BELT 5L-300 OR B27	2
29	77058	SHEAVE 5"OD X 2GR.B X 3/4"BORE	1
30	10016	KEY 3/16SQ X 1-1/2	1

**ILLUSTRATION 11:  
ENGINE & BELT DRIVE GROUPING FOR HONDA GXV340**

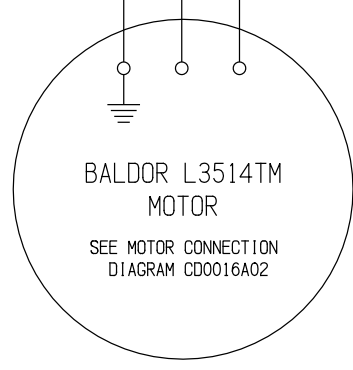
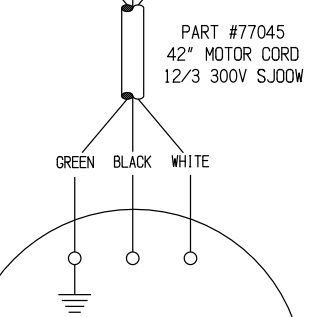
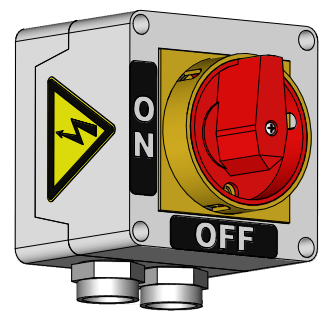


<b>PARTS LISTING - ILLUSTRATION 11: ENGINE &amp; BELT DRIVE GROUPING FOR HONDA GXV340</b>			
ITEM #	PART #	DESCRIPTION	QTY.
1	76004	ENGINE, HONDA MODEL GXV340UT2-DX3	1
2	15190	MANUAL CHOKE KIT (INCLUDES ITEMS 3 THRU 10)	1
3	15183	LEVER, CHOKE CONTROL, GXV340	1
4	91301	DECAL, CHOKE 5/8 X 5/8	1
5	15184	CAP, FLAT RED .062 X .75 X 1	1
6	15185	SCREW, MACHINE M6 X 16MM PHILLIP HD	1
7	15188	WASHER .265"ID,.50"OD,.029-.035"THK	1
8	10602	WASHER, FLAT 1/4 SAE ZINC	14
9	15187	WASHER, FIBER .75 X .25 X .093	1
10	15186	WASHER, BELLEVILLE .500 X.255 X.018	1
11	28026	NUT, HEX NYLON LOCK M6 X 1MM	1
12	40388	CABLE, THROTTLE, LEVER-TYPE 24"	1
13	10877	SCREW, CAP STSHW 10-24 X 1/2	2
14	10831	WASHER, LOCK, INT. TOOTH #10	2
15	10982	TIE, CABLE, BLACK NYLON 11-1/4"	1
16	77628	OIL DRAIN KIT, 2GC-NG-11H	1
17	15201A	SWITCH W/ WIRES, ROCKER RED ON-OFF	1
18	10970	CONN., WIRE QUICK-SPLICE 18-14 GA.	1
19	10976	TERM., RING 3/8 12-10GA. INSULATED	1
20	10453	WASHER, LOCK, INT. TOOTH 3/8"	1
21	36042	CLIP, NATURAL CORD, 1/8" X 1/4"	4
22	76023	MOUNT, ENGINE, VERT. SHAFT	1
23	10048	SCREW, CAP 5/16-24 X 3/4	2
24	10801	WASHER, LOCK 5/16 ZINC	4
25	10606	SCREW, CAP 5/16-18 X 1-1/4	2
26	10213	WASHER, FLAT 5/16 SAE ZINC	4
27	10054	NUT, HEX 5/16-18 ZINC	5
28	10802	BOLT, CARRIAGE 3/8-16 X 1 ZINC	3
	10320	BOLT, CARRIAGE 3/8-16 X 1-1/4 ZINC (GROUND SCREW)	1
29	10025	WASHER, FLAT 3/8 SAE ZINC	4
30	10811	WASHER, LOCK 3/8 ZINC	4
31	10404	NUT, HEX 3/8-16 ZINC	4
32	10307	KEY 1/4SQ X 2-1/4	1
33	76024	CLUTCH, CENTRIFUGAL 3.5 X 2GR X 1	1
34	77627	CLUTCH PLUG, 2GC-NG & TLR-7	1
35	10450	WASHER, LOCK 7/16 ZINC	1
36	11750	SCREW, CAP 7/16-20 X 2-3/4 ZINC	1
37	10035	BELT 5L-330 OR B30	2
38	77058	SHEAVE 5"OD X 2GR.B X 3/4"BORE	1
39	10016	KEY 3/16SQ X 1-1/2	1

**WIRING DIAGRAM FOR SWITCH ON 1.5HP 60Hz UNITS**

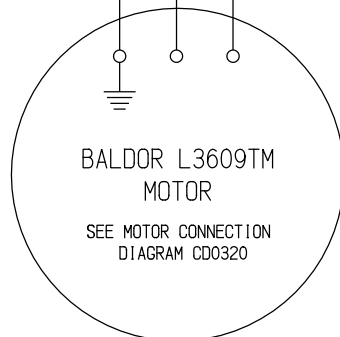
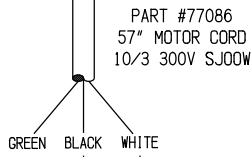
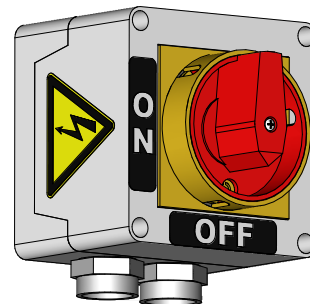
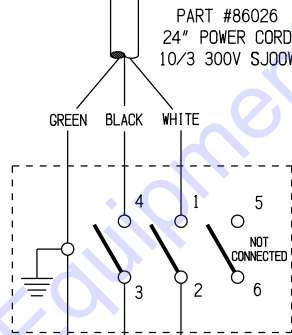
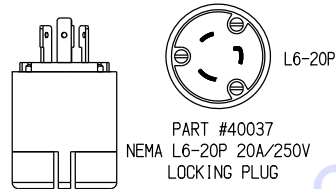
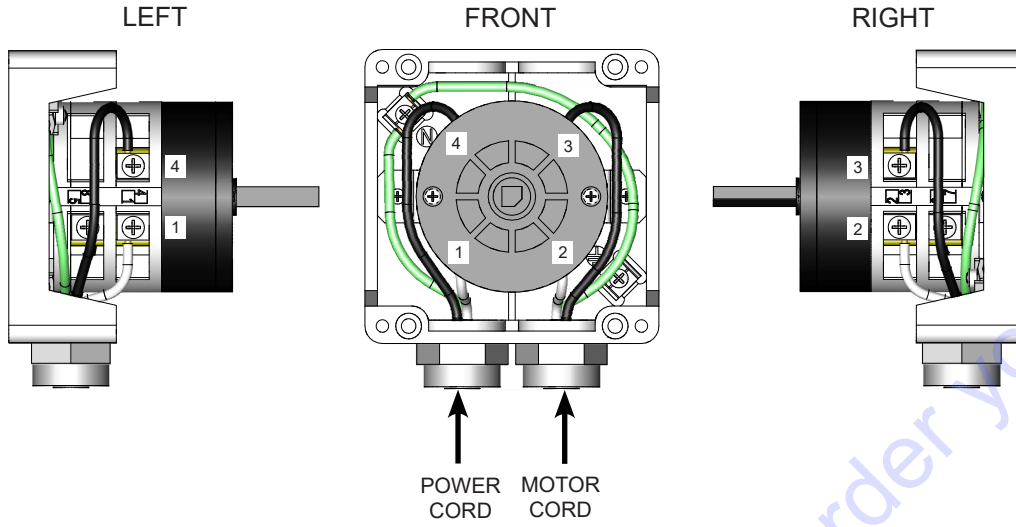


**SWITCH**  
PART #77043



Go to Discount-Equipment.com to order your parts

**WIRING DIAGRAM FOR SWITCH ON 3HP 60Hz UNITS**

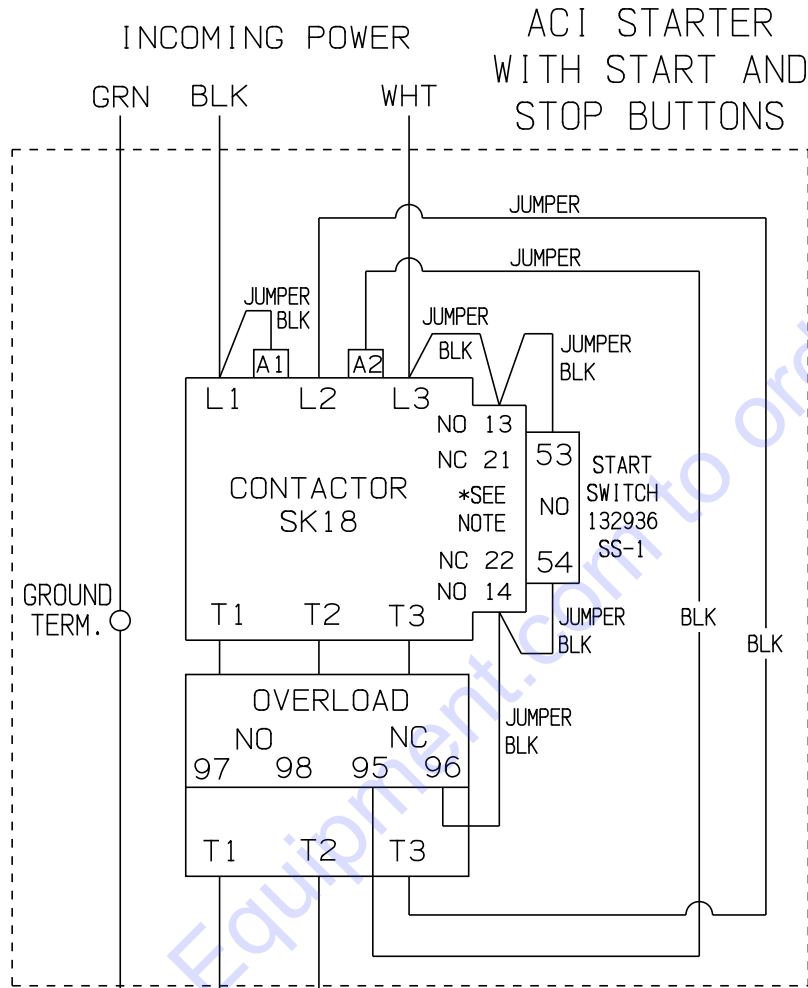


Go to Discount-Equipment.com to order your parts

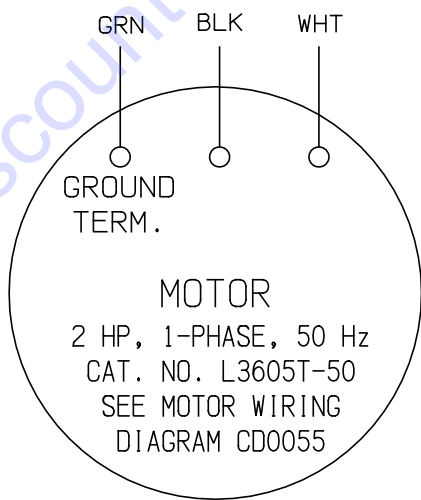


MODEL 2EC-NG-2B/50

**WIRING DIAGRAM FOR ACI STARTER**



**\*NOTE:**  
 TERMINALS 21 & 22 ARE LOCATED ON TOP. BE SURE THE JUMPER WIRES ARE CONNECTED TO TERMINALS 13 & 14 WHICH ARE BELOW 21 & 22.



COLOR CODES

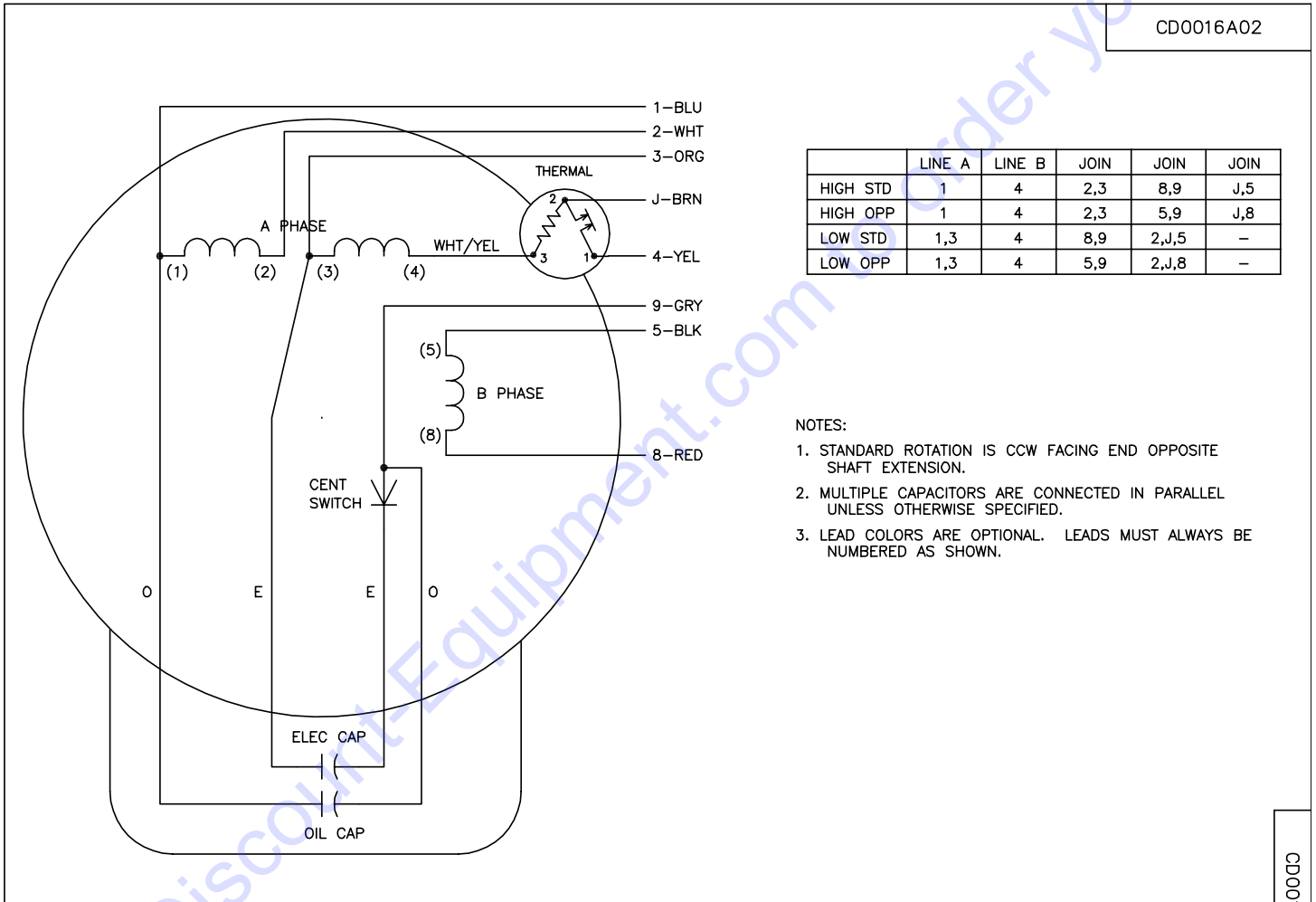
BLK = BLACK  
 GRN = GREEN  
 WHT = WHITE

**WIRING DIAGRAM FOR BALDOR L3514TM MOTOR**

BALDOR CAT. NO. L3514TM  
 1.5 H.P., 1 PHASE, 60 HERTZ, 1725 RPM,  
 115/230 VOLT, 16/8 FULL LOAD AMPS

USE CONNECTIONS FOR OPPOSITE  
 ROTATION SHOWN BELOW IN CHART.  
 FACTORY CONNECTIONS ARE LOW OPP. (115V).

CD0016A02



NOTES:

- STANDARD ROTATION IS CCW FACING END OPPOSITE SHAFT EXTENSION.
- MULTIPLE CAPACITORS ARE CONNECTED IN PARALLEL UNLESS OTHERWISE SPECIFIED.
- LEAD COLORS ARE OPTIONAL. LEADS MUST ALWAYS BE NUMBERED AS SHOWN.

REV. DESC: REMOVE OPTIONAL THERMAL CONNECTION		
REV. LTR: F	VERSION: 01	TDR: 000000373039
20A91000C	FILE: \AAA\00007\411	REVISED: 10:13:25 08/11/2005
	MTL: -	BY: ENJOEPO

**BALDOR ELECTRIC Co.**

TYPE LC, DV, REV, OIL CAP ACR. LINE, THERMAL, 8 LEADS

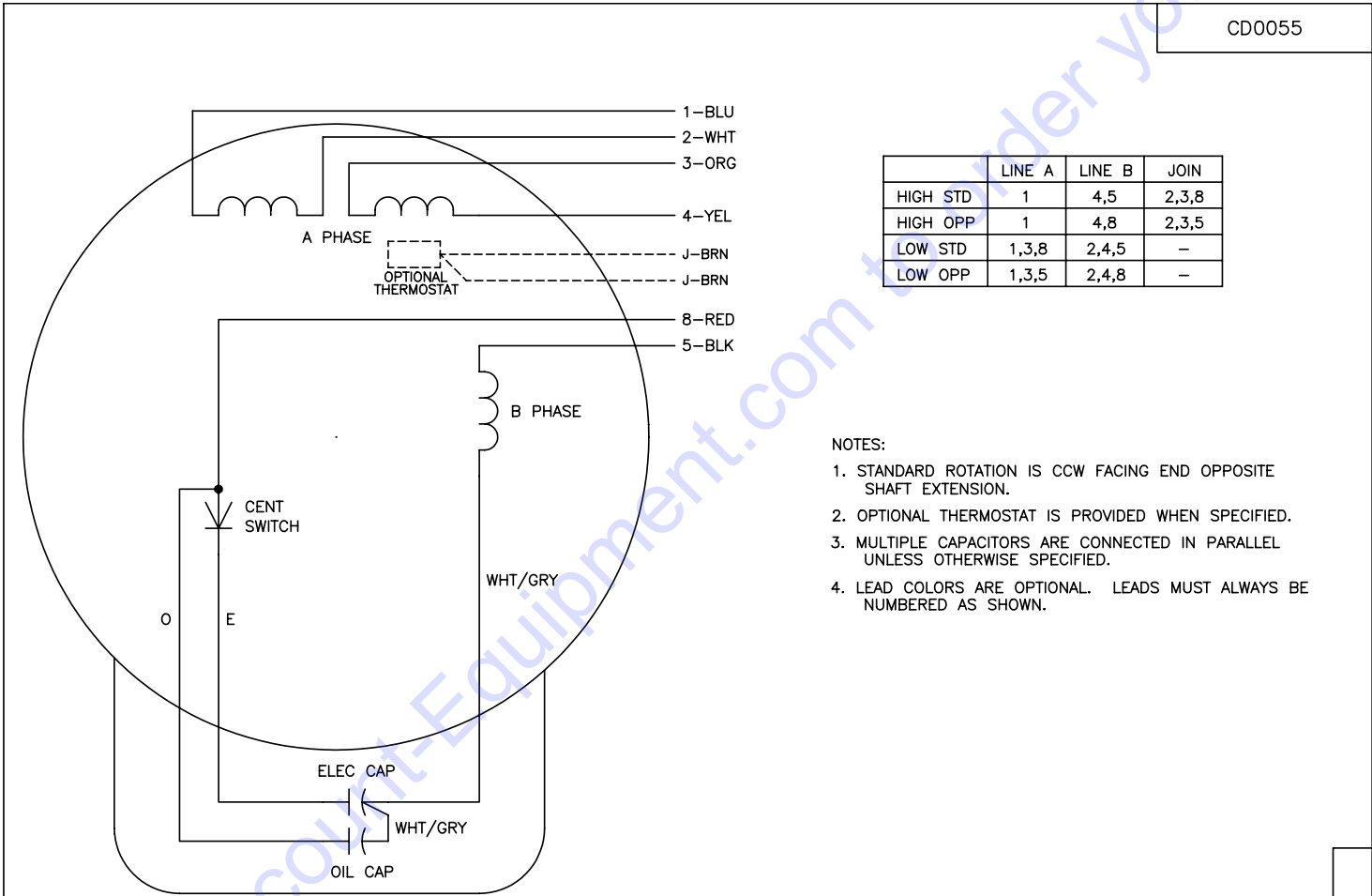
CD0016A02

**WIRING DIAGRAM FOR BALDOR L3605T-50 MOTOR**

BALDOR CAT. NO. L3605T-50  
 2 H.P., 1 PHASE, 50 HERTZ, 1425 RPM,  
 110/220 VOLT, 20/10 FULL LOAD AMPS

USE CONNECTIONS FOR OPPOSITE  
 ROTATION SHOWN BELOW IN CHART.

CD0055



	LINE A	LINE B	JOIN
HIGH STD	1	4,5	2,3,8
HIGH OPP	1	4,8	2,3,5
LOW STD	1,3,8	2,4,5	-
LOW OPP	1,3,5	2,4,8	-

- NOTES:
- STANDARD ROTATION IS CCW FACING END OPPOSITE SHAFT EXTENSION.
  - OPTIONAL THERMOSTAT IS PROVIDED WHEN SPECIFIED.
  - MULTIPLE CAPACITORS ARE CONNECTED IN PARALLEL UNLESS OTHERWISE SPECIFIED.
  - LEAD COLORS ARE OPTIONAL. LEADS MUST ALWAYS BE NUMBERED AS SHOWN.

REV. DESC: REVISE TO SHOW OPTIONAL COLORS			
REV. LTR: D	BY: JLP	REVISED: 04/08/99 1:17	TDR: 0178636
SS0000		FILE: AAA00007414	MDL: -
		MTL: -	

**BALDOR ELECTRIC Co.**

TYPE LC, DV, REV, 6 LEADS

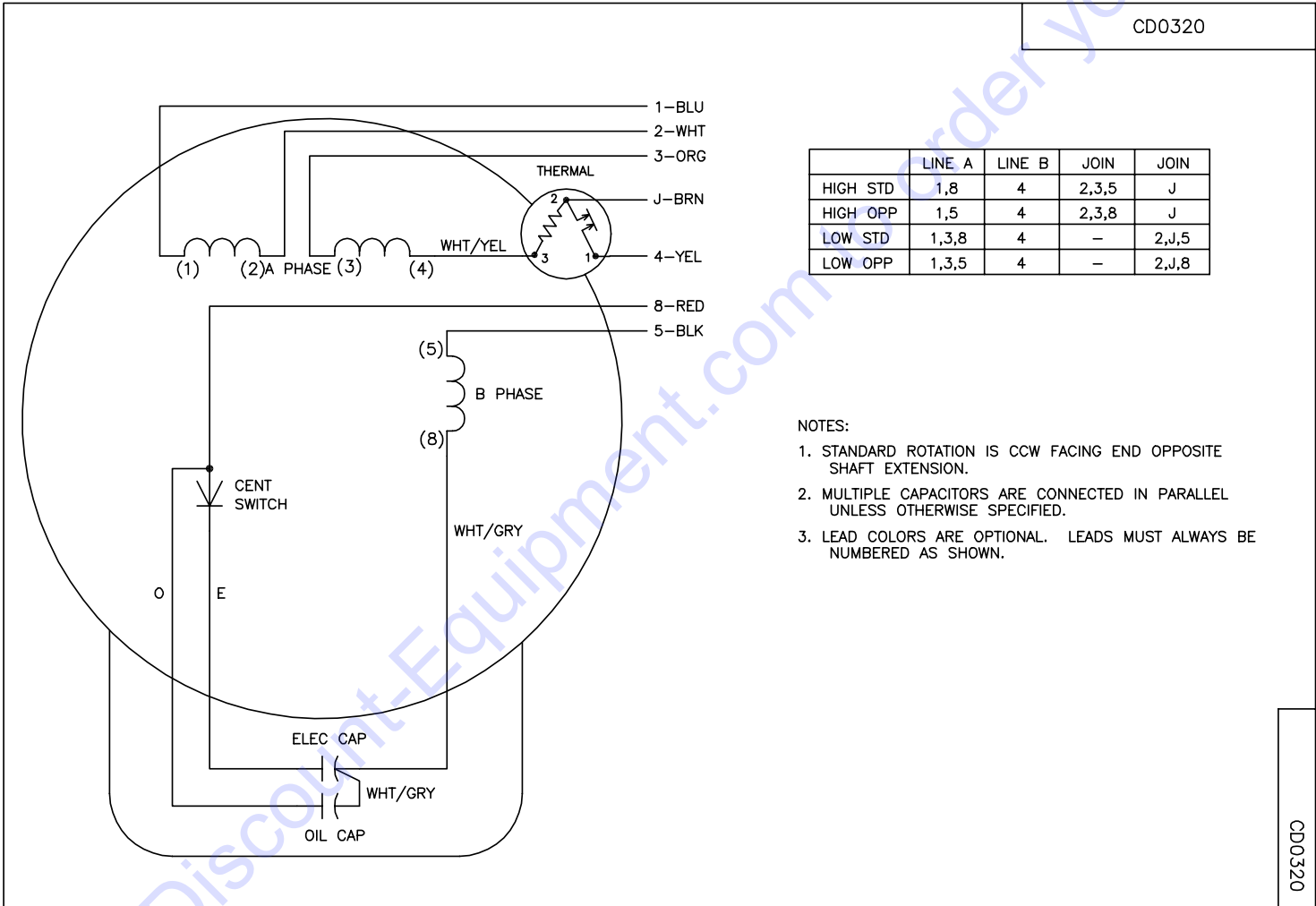
CD0055

**WIRING DIAGRAM FOR BALDOR L3609TM MOTOR**

BALDOR CAT. NO. L3609TM  
 3 H.P., 1 PHASE, 60 HERTZ, 1725 RPM,  
 115/230 VOLT, 28/14.5 FULL LOAD AMPS

USE CONNECTIONS FOR OPPOSITE  
 ROTATION SHOWN BELOW IN CHART.  
 FACTORY CONNECTIONS ARE HIGH OPP. (230V).

CD0320



- NOTES:
1. STANDARD ROTATION IS CCW FACING END OPPOSITE SHAFT EXTENSION.
  2. MULTIPLE CAPACITORS ARE CONNECTED IN PARALLEL UNLESS OTHERWISE SPECIFIED.
  3. LEAD COLORS ARE OPTIONAL. LEADS MUST ALWAYS BE NUMBERED AS SHOWN.

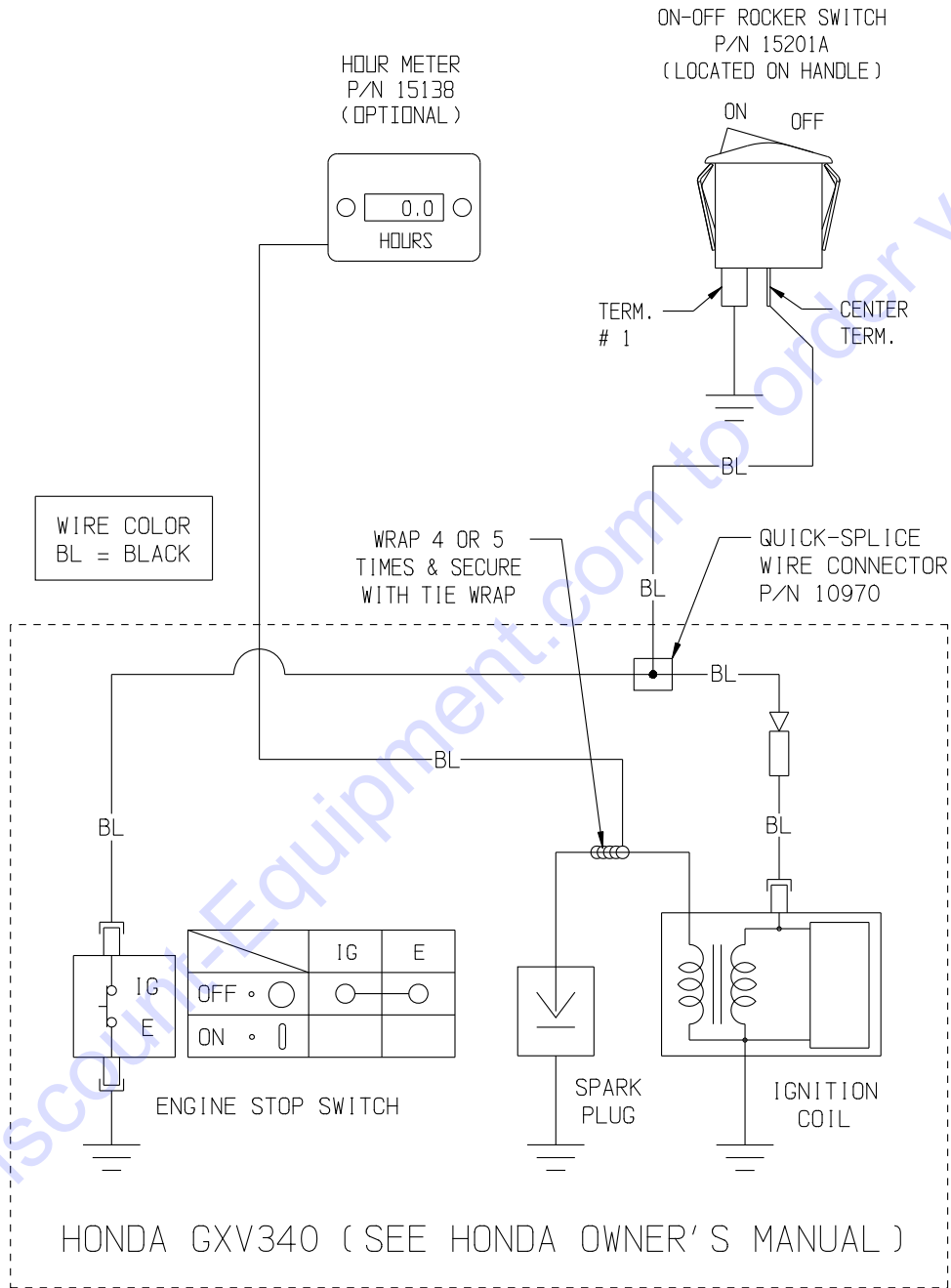
REV. DESC: ADD INTERNAL CONNECTION TO HELP MANUFACTURING		
REV. LTR: G	VERSION: 01	TDR: 00000941594
FILE: \AAA\00007\422	REVISED: 02:21:00 08/28/2015	BY: ENALEMO
MTL: -		

**BALDOR**

TYPE LC, DV, REV, THERMAL, B PH AMPS THRU HTR HVC, 7 LEAD  
 SH 1 of 1

CD0320

**WIRING DIAGRAM FOR HONDA GXV340 ENGINE**



Go to [DiscountEquipment.com](http://DiscountEquipment.com) to order your parts

# PARTS FINDER

**Search Website  
by Part Number**



**Search Manual  
Library For Parts  
Manual & Lookup Part  
Numbers – Purchase  
or Request Quote**

**Search Manuals**

Enter your information to search for a parts manual or lookup a part number.

\* Brand:

\* Model:

\* Serial:

\* Part Number:

SEARCH

**Can't Find Part or  
Manual? Request Help  
by Manufacturer,  
Model & Description**

**Parts Order Form**

Please fill in the following information to request help finding a part or manual.

Manufacturer:

Model:

Description:

Part Number:

Quantity:

Price:

Submit

Discount-Equipment.com is your online resource for quality parts & equipment.

Florida: **561-964-4949** Outside Florida TOLL FREE: **877-690-3101**

**Need parts?**

Click on this link: <http://www.discount-equipment.com/category/5443-parts/> and choose one of the options to help get the right parts and equipment you are looking for. Please have the machine model and serial number available in order to help us get you the correct parts. If you don't find the part on the website or on one of the online manuals, please fill out the request form and one of our experienced staff members will get back to you with a quote for the right part that your machine needs.

We sell worldwide for the brands: Genie, Terex, JLG, MultiQuip, Mikasa, Essick, Whiteman, Mayco, Toro Stone, Diamond Products, Generac Magnum, Airman, Haulotte, Barreto, Power Blanket, Nifty Lift, Atlas Copco, Chicago Pneumatic, Allmand, Miller Curber, Skyjack, Lull, Skytrak, Tsurumi, Husquvarna Target, Stow, Wacker, Sakai, Mi-T-M, Sullair, Basic, Dynapac, MBW, Weber, Bartell, Bennar Newman, Haulotte, Ditch Runner, Menegotti, Morrison, Contec, Buddy, Crown, Edco, Wyco, Bomag, Laymor, EZ Trench, Bil-Jax, F.S. Curtis, Gehl Pavers, Heli, Honda, ICS/PowerGrit, IHI, Partner, Imer, Clipper, MMD, Koshin, Rice, CH&E, General Equipment, Amida, Coleman, NAC, Gradall, Square Shooter, Kent, Stanley, Tamco, Toku, Hatz, Kohler, Robin, Wisconsin, Northrock, Oztec, Toker TK, Rol-Air, APT, Wylie, Ingersoll Rand / Doosan, Innovatech, Con X, Ammann, Mecalac, Makinex, Smith Surface Prep, Small Line, Wanco, Yanmar