

REVISED STARTING SERIAL # 23735



PARTS LIST MANUAL
MODEL 2-EC and 2-GC



Two-Disc Concrete Floor Grinder



PARTS FINDER

**Search Website
by Part Number**



**Search Manual
Library For Parts
Manual & Lookup Part
Numbers – Purchase
or Request Quote**

Search Manuals

Enter your information to search for a manual or to purchase a manual or parts.

* Brand:

* Model:

* Serial:

* Part Number:

SEARCH

**Can't Find Part or
Manual? Request Help
by Manufacturer,
Model & Description**

Parts Order Form

Please fill in the following information:

Manufacturer:

Model:

Description:

Quantity:

Part Number:

Part Name:

Part Description:

Part Category:

Part Location:

Part Status:

Part Condition:

Part Material:

Part Color:

Part Weight:

Part Dimensions:

Part Price:

Part Notes:

Submit

Discount-Equipment.com is your online resource for quality parts & equipment.

Florida: **561-964-4949** Outside Florida TOLL FREE: **877-690-3101**

Need parts?

Click on this link: <http://www.discount-equipment.com/category/5443-parts/> and choose one of the options to help get the right parts and equipment you are looking for. Please have the machine model and serial number available in order to help us get you the correct parts. If you don't find the part on the website or on one of the online manuals, please fill out the request form and one of our experienced staff members will get back to you with a quote for the right part that your machine needs.

We sell worldwide for the brands: Genie, Terex, JLG, MultiQuip, Mikasa, Essick, Whiteman, Mayco, Toro Stone, Diamond Products, Generac Magnum, Airman, Haulotte, Barreto, Power Blanket, Nifty Lift, Atlas Copco, Chicago Pneumatic, Allmand, Miller Curber, Skyjack, Lull, Skytrak, Tsurumi, Husquvarna Target, Stow, Wacker, Sakai, Mi-T-M, Sullair, Basic, Dynapac, MBW, Weber, Bartell, Bennar Newman, Haulotte, Ditch Runner, Menegotti, Morrison, Contec, Buddy, Crown, Edco, Wyco, Bomag, Laymor, EZ Trench, Bil-Jax, F.S. Curtis, Gehl Pavers, Heli, Honda, ICS/PowerGrit, IHI, Partner, Imer, Clipper, MMD, Koshin, Rice, CH&E, General Equipment, Amida, Coleman, NAC, Gradall, Square Shooter, Kent, Stanley, Tamco, Toku, Hatz, Kohler, Robin, Wisconsin, Northrock, Oztec, Toker TK, Rol-Air, APT, Wylie, Ingersoll Rand / Doosan, Innovatech, Con X, Ammann, Mecalac, Makinex, Smith Surface Prep, Small Line, Wanco, Yanmar

READ AND UNDERSTAND THE OPERATORS INSTRUCTION MANUAL THOROUGHLY BEFORE ATTEMPTING TO OPERATE THIS EQUIPMENT. Death or serious injury could occur if this machine is used improperly.



SAFETY MESSAGES



The safety instructions are preceded by a graphic alert message of DANGER, WARNING, or CAUTION.



Indicates an imminent hazard which, if not avoided, will result in death or serious injury.



Indicates an imminent hazard which, if not avoided, can result in death or serious injury.



Indicates hazards which, if not avoided, could result in serious injury and or damage to the equipment.

GASOLINE

Powered Equipment



- Do not operate gasoline powered equipment without adequate ventilation. Carbon monoxide is an invisible, odorless gas that can kill.

ELECTRICAL

Powered Equipment



- ELECTRICAL HAZARD** - Be sure equipment is properly grounded. Failure to comply could kill or result in serious injury.



The engine exhaust from this product contains chemicals known to the State of California to cause cancer, birth defects or other reproductive harm.

GENERAL INSTRUCTIONS



- You must read and understand the operators instruction manual and all other manuals associated with this machine. For your safety and the safety of others around you, it is extremely important to fully understand how to operate this machine in the way it was intended. Different model machines or older/newer versions of the same model may have different parts and controls that you need to understand. If instructions are not readable or available DO NOT USE this machine and contact Discount-equipment for a replacement Manual.
- You must be able to physically handle the bulk weight and power of this machine. If not properly controlled this machine can cause death or serious injury.
- Do not operate this machine in an impaired mental state. You must be able to exercise good judgement and reactions to maintain a safe working environment.
- This is a "one person" machine which means only one operator can be operating the machine at any one time. For the safety of others, maintain a safe operating distance to other personnel. Your work area should be defined and appropriately marked so bystanders and coworkers do not stand or walk near this machine and end up seriously injured by flying debris or exposing them to harmful noise or dust.
- This equipment is for Commercial use. Although this is a "one person" machine your work team should understand how to shut this machine off and quickly get medical help if an accident strikes the operator.
- Keep all guards in place during operation. The guards are to provide protection from inadvertent contact with dangerous moving parts, pinch points, or hot surfaces.
- Wear appropriate Personal Protective Equipment (PPE) including safety glasses, safety boots, work gloves, respiratory protection, hearing protection, and head protection. Do not wear loose clothing that can get tangled in moving parts. Failure to do so could result in dismemberment or death. **Wear an approved respirator when removing hazardous materials or when grinding/cutting dry materials. Some dust particles such as concrete dust can contain silicate particles which can cause silicosis (a very serious lung disease). Contact NIOSH or OSHA for further details. When wet grinding/cutting, avoid contact with the concrete/asphalt slurry which can cause serious skin irritations.**
- You must maintain this machine per the maintenance schedule in the operator manual. Remember before adjusting, servicing, or fueling this machine, disconnect the source of power to the machine by disconnecting the spark plug (Gas models), or by unplugging the electrical power cord (electric models) or air hose (Pneumatic models) AT THE MACHINE so you can assure yourself it remains unplugged while you are working on it. Do not modify this machine. Use only genuine EDCO parts and accessories. Repairs and service should be performed by approved EDCO dealers or authorized technicians.
- You should look carefully around the area before you begin work so you can identify potential hazards such as deck inserts, pipes, columns, openings, electrical cords or outlets, or any other objects protruding from the slab surface.
- This machine has no brain so you must use your own. There is no substitute for safety. The safety decals on the machine are to serve as a reminder for information you must already know before you begin using this machine. Take a moment to reread the safety decals each time you use the machine. If your machine is missing any decals, contact the Discount-equipment.

PARTS LIST MANUAL

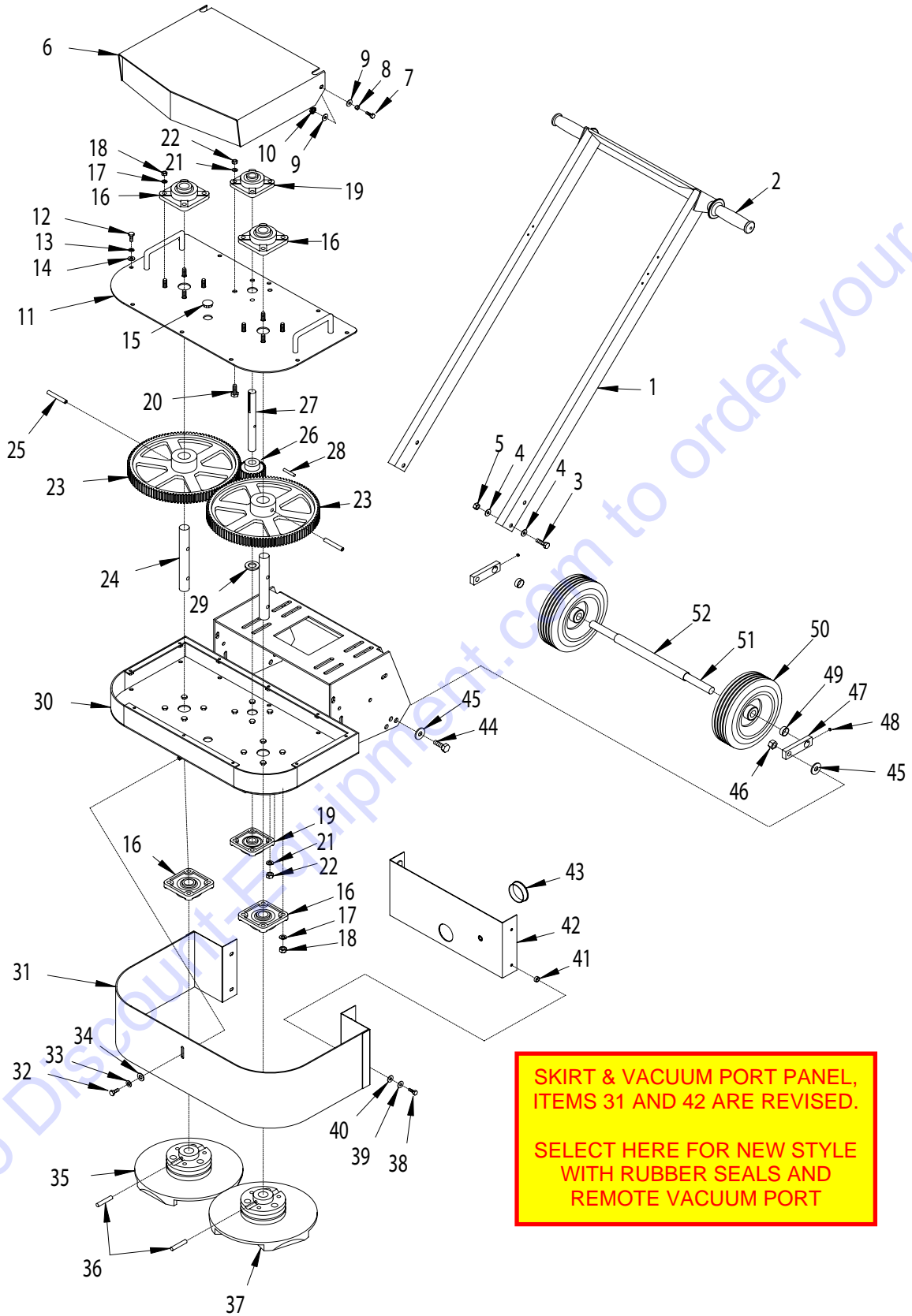
EDCO MODELS 2-EC and 2-GC

Section	Page Number
Safety Messages & General Instructions	2
How To Order Replacement Parts	3
Illustration 1: Main Grouping	4,5
Illustration 2: Multi-Accessory Disc Grouping	6
Illustration 3: Optional Pad Driver Disc Grouping	7
Illustration 4: Optional Surfacers Disc Grouping	8
Illustration 5: Water Valve Grouping	9
Illustration 6: Engine & Belt Drive Grouping (5.5 HP)	10,11
Illustration 7: Engine & Belt Drive Grouping (11 HP)	12,13
Illustration 8: Propane Option	14,15
Illustration 9: Motor & Belt Drive Grouping (1.5&2 HP)	16,17
Illustration 10: Motor & Belt Drive Grouping (3 HP)	18,19
Limited Equipment Warranty	back cover

2-DISC CONCRETE FLOOR GRINDER

PART NO.	MODEL	POWER OPTION
51800	2GC-5.5H	HONDA 5.5 HP, GASOLINE
51400	2GC-11H	HONDA 11.0 HP, GASOLINE
54800	2GC-11P	HONDA 11.0 HP, PROPANE
50800	2EC-3B	BALDOR 3.0HP-1 PHASE-60HZ-230V
50100	2EC-1.5B	BALDOR 1.5HP-1 PHASE-60HZ-115/230V
51300 (EXPORT)	2EC-2B/50H	BALDOR 2.0HP-1 PHASE-50HZ-220V

ILLUSTRATION 1 : MAIN GROUPING



SKIRT & VACUUM PORT PANEL,
ITEMS 31 AND 42 ARE REVISED.
SELECT HERE FOR NEW STYLE
WITH RUBBER SEALS AND
REMOTE VACUUM PORT

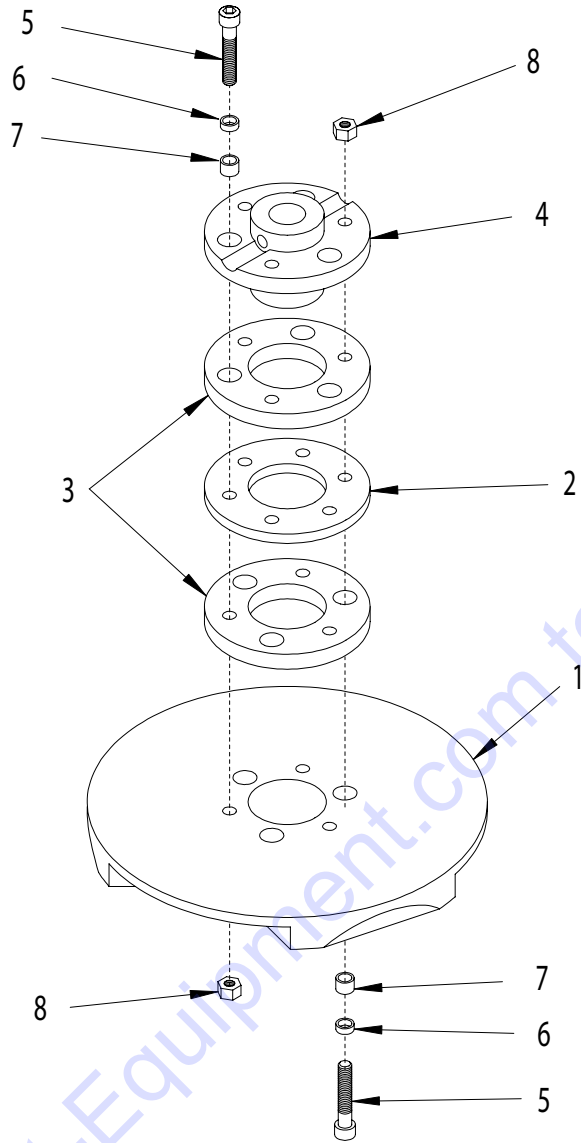
PARTS LISTING - ILLUSTRATION 1 : MAIN GROUPING

ITEM#	PART#	DESCRIPTION	QTY.
1	74010	HANDLE BAR	1
2	61108	GRIP, HAND 1" MODEL SX	2
3	10029	SCREW, CAP 3/8-24 X 1-3/4	4
4	10025	WASHER, FLAT 3/8	8
5	10004	NUT, LOCK 3/8-24	4
6	77077	HOOD, GRINDER	1
7	10860	BOLT, TAP 1/4-20 X 1-1/4	2
8	10013	NUT 1/4-20	2
9	10602	WASHER, FLAT 1/4	4
10	10861	NUT, KEPS 1/4-20	2
11	77007	COVER, GEAR CASE	1
12	10018	SCREW, CAP 1/4-20 X 3/4	10
13	10038	WASHER, LOCK 1/4	10
14	10602	WASHER, FLAT 1/4	10
15	10005	PLUG, HOLE 7/8" (CHROME)	1
16	77008	BEARING, BALL 1" 4-HOLE FLANGE, ND	4
17	10450	WASHER, LOCK 7/16	16
18	10481	NUT 7/16-20	16
19	77009	BEARING, BALL 3/4" 4-HOLE FLANGE	2
20	10309	SCREW, CAP 3/8-24x1-1/4	4
21	10811	WASHER, LOCK 3/8	8
22	10014	NUT 3/8-24	8
23	77012	GEAR, SPUR 112 TOOTH	2
24	77013	SHAFT, LARGE GEAR 1"DIA X 7-13/16"L	2
25	10007	PIN, ROLL 3/8 X 2-1/2	2
26	77053	GEAR, SPUR 25 TOOTH (PINION)	1
27	77011	SHAFT, PINION GEAR 3/4DIA X 7-3/8"L	1
28	10037	PIN, ROLL 1/4 X 1-1/2	1
29	10009	WASHER, FLAT 3/4	1
30	77022	MAIN FRAME & GEAR CASE	1
31	77001	CG228 DUST & SAFETY SHIELD (SKIRT)	1
32	10806	SCREW, CAP 5/16-18x1	1
33	10801	WASHER, LOCK 5/16	1
34	10213	WASHER, FLAT 5/16	1
35	9999	DISCASSY. COMPLETE, MULTI-ACCY. LH (SEE ILLUSTRATION 2 FOR BREAKDOWN)	1
36	10063	PIN, ROLL 3/8 X 2	2
37	8888	DISCASSY. COMPLETE, MULTI-ACCY. RH (SEE ILLUSTRATION 2 FOR BREAKDOWN)	1
38	10806	SCREW, CAP 5/16-18 X 1	4
39	10801	WASHER, LOCK 5/16	4
40	10213	WASHER, FLAT 5/16	4
41	10113	SPACER, STEEL 9/16OD X 3/8ID X 7/32"	2
42	77112	PANEL, VACUUM PORT 2"	1
43	65021	PLUG, CAP 2"	1
44	10321	SCREW, CAP 1/2-20 X 1-1/4	2
45	10312	WASHER, FLAT 1/2	4
46	10205	NUT, LOCK 1/2-20	2
47	86305	FLIP-HOLDER, WHEELAXLE	2
48	10139	SCREW, SET 1/4-20x5/16	2
49	77214	SPACER, WHEEL 3/8"L	1
50	79013	WHEEL 8 X 2-1/2 X 3/4"BRG.	2
51 52	77215	AXLE SPACER 9-13/16"L	1
52 51	77209	AXLE SHAFT 3/4"DIA. X 17"L	1

SKIRT & VACUUM
PORT PANEL,
ITEMS 31 AND 42
ARE REVISED.

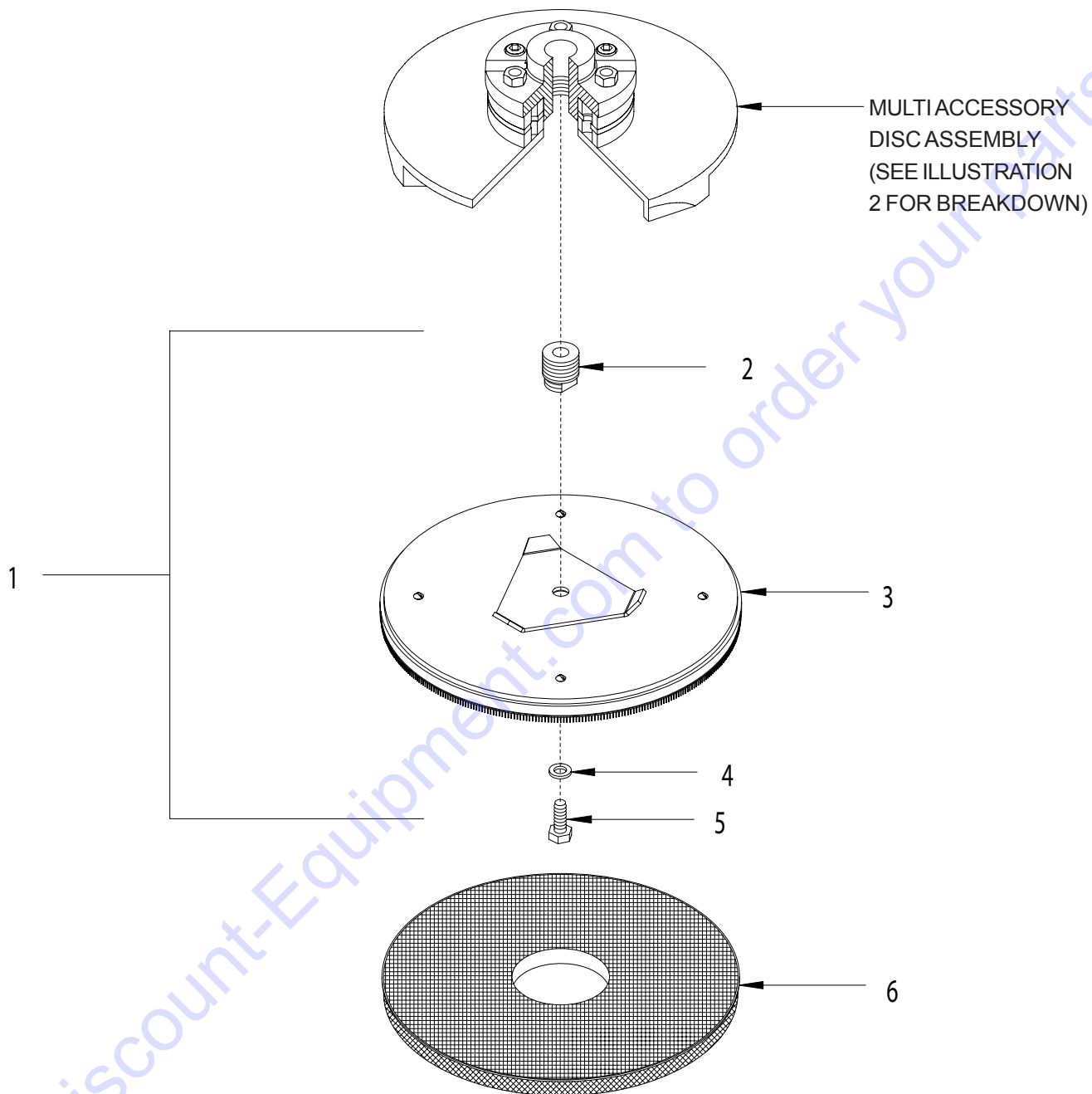
SELECT HERE FOR
NEW STYLE WITH
RUBBER SEALS
AND REMOTE
VACUUM PORT

ILLUSTRATION 2 : MULTI-ACCESSORY DISC GROUPING



		#8888 DISC ASSEMBLY COMPLETE, RIGHT HAND (1 REQ'D.)	
		#9999 DISC ASSEMBLY COMPLETE, LEFT HAND (1 REQ'D.)	
ITEM #	PART #	DESCRIPTION	QTY.
1		DISC, MULTI-ACCESSORY	
	77088	R.H. FOR #8888 ASSY.	1
	77099	L.H. FOR #9999 ASSY.	1
2	77020	RING, HUB CARRIER, 6-HOLE	1
3	10112	RING, NEOPRENE, 4-1/2"ODx1/2"THK	2
4	77010	HUB, ALUMINUM 6-HOLE (GRINDER)	1
5	10114	SCREW, SKT. HD. CAP 3/8-24 X 2-1/4	6
6	10113	SPACER, STEEL 9/16OD X 3/8ID X 7/32"	6
7	10011	SPACER, STEEL 5/8OD X 3/8ID X 3/8"	6
8	10004	NUT, LOCK 3/8-24	6

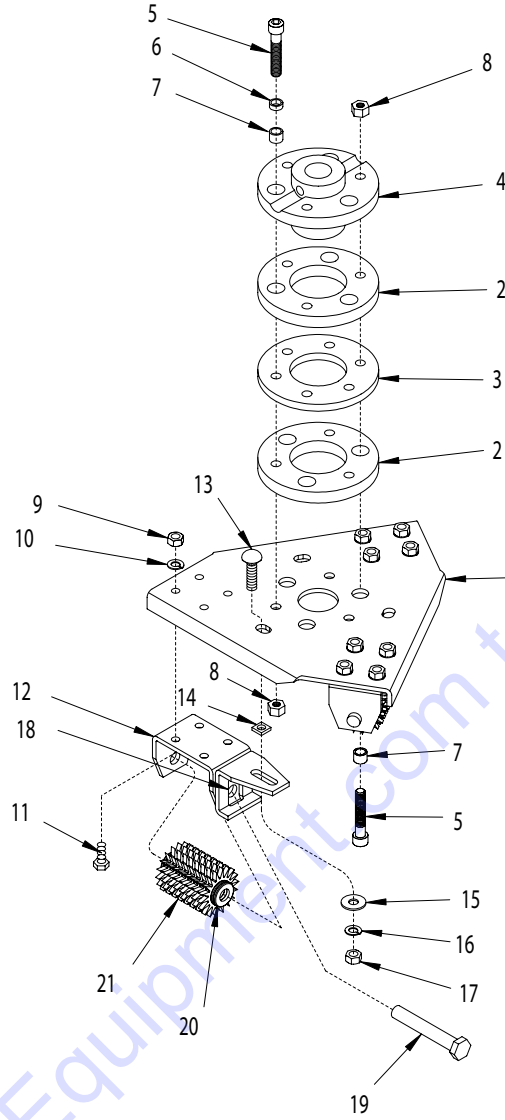
ILLUSTRATION 3 : OPTIONAL PAD DRIVER DISC GROUPING



ITEM #	PART#	DESCRIPTION	QTY.
1	76040	PAD DRIVER DISC ASSEMBLY (INCLUDES ITEMS 2-5)	2
2	76042	HUB STUD, PAD DRIVER	1
3	76041	DISC ONLY 11", PAD DRIVER	1
4	10312	WASHER, FLAT 1/2	1
5	10304	SCREW, CAP 1/2-20 X 1	1
6	13013	SILABIDE PAD, 11" MEDIUM	2

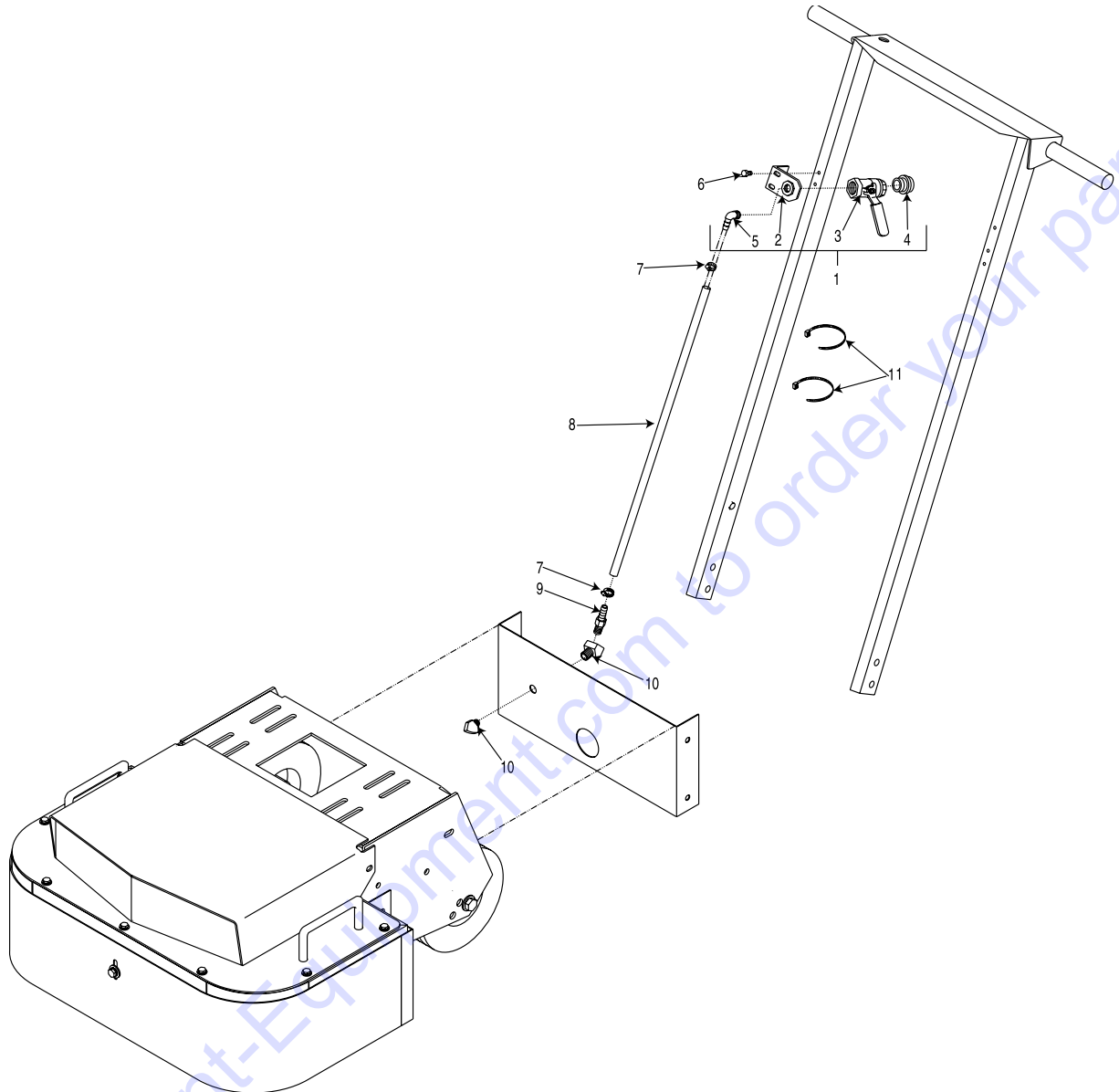


ILLUSTRATION 4 : OPTIONAL SURFACER DISC GROUPING



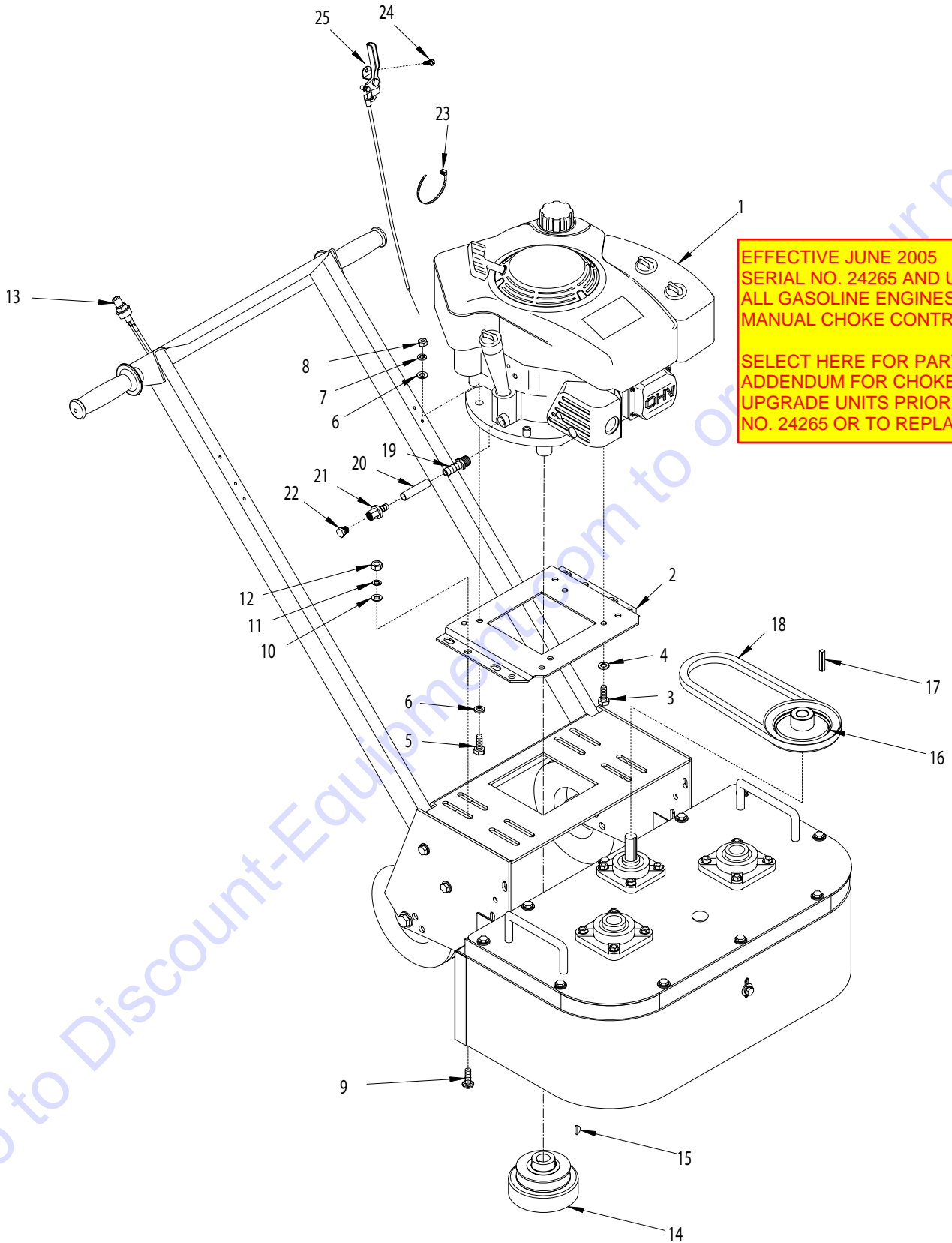
		#2222 SURFACER DISC ASSEMBLY, RIGHT HAND (1 REQ'D)				#3333 SURFACER DISC ASSEMBLY, LEFT HAND (1 REQ'D)	
ITEM#	PART#	DESCRIPTION	QTY.	ITEM#	PART#	DESCRIPTION	QTY.
1		DISC, SURFACER		12	77074	HOLDER, CUTTER SHAFT, SURFACER DISC	3
	77122	R.H. FOR #2222 ASSY.	1	13	10802	BOLT, CARRIAGE 3/8-16 X 1	3
	77133	L.H. FOR #3333 ASSY.	1	14	10089	CLIP, SPEED NUT 3/8"	3
2	10112	RING, NEOPRENE, 4-1/2"ODx1/2"THK	2	15	10025	WASHER, FLAT 3/8	3
3	77020	RING, HUB CARRIER, 6-HOLE	1	16	10811	WASHER, LOCK 3/8	3
4	77010T	HUB, CAST IRON 6-HOLE	1	17	10404	NUT 3/8-16	3
5	10114	SCREW, SKT. HD. CAP 3/8-24 X 2-1/4	6	18	77075	RETAINER, CUTTER SHAFT, SURF. DISC	3
6	10113	SPACER, STEEL 9/16OD X 3/8ID X 7/32"	3	19	77048	CG226 CUTTER SHAFT, 1/2 X 3-1/4	3
7	10011	SPACER, STEEL 5/8OD X 3/8ID X 3/8"	6	20	12230	CG227 SPACER 1/2"ID	33
8	10004	NUT, LOCK 3/8-24	6	21		CUTTER WHEEL	
9	10054	NUT 5/16-18	12		12206	JRS501-P, POINTED (STANDARD)	24
10	10801	WASHER, LOCK 5/16	12		20156	CP206T, 1-3/4" CARBIDE (OPTIONAL)	18
11	10806	SCREW, CAP 5/16-18 X 1	12				



ILLUSTRATION 5 : WATER VALVE GROUPING

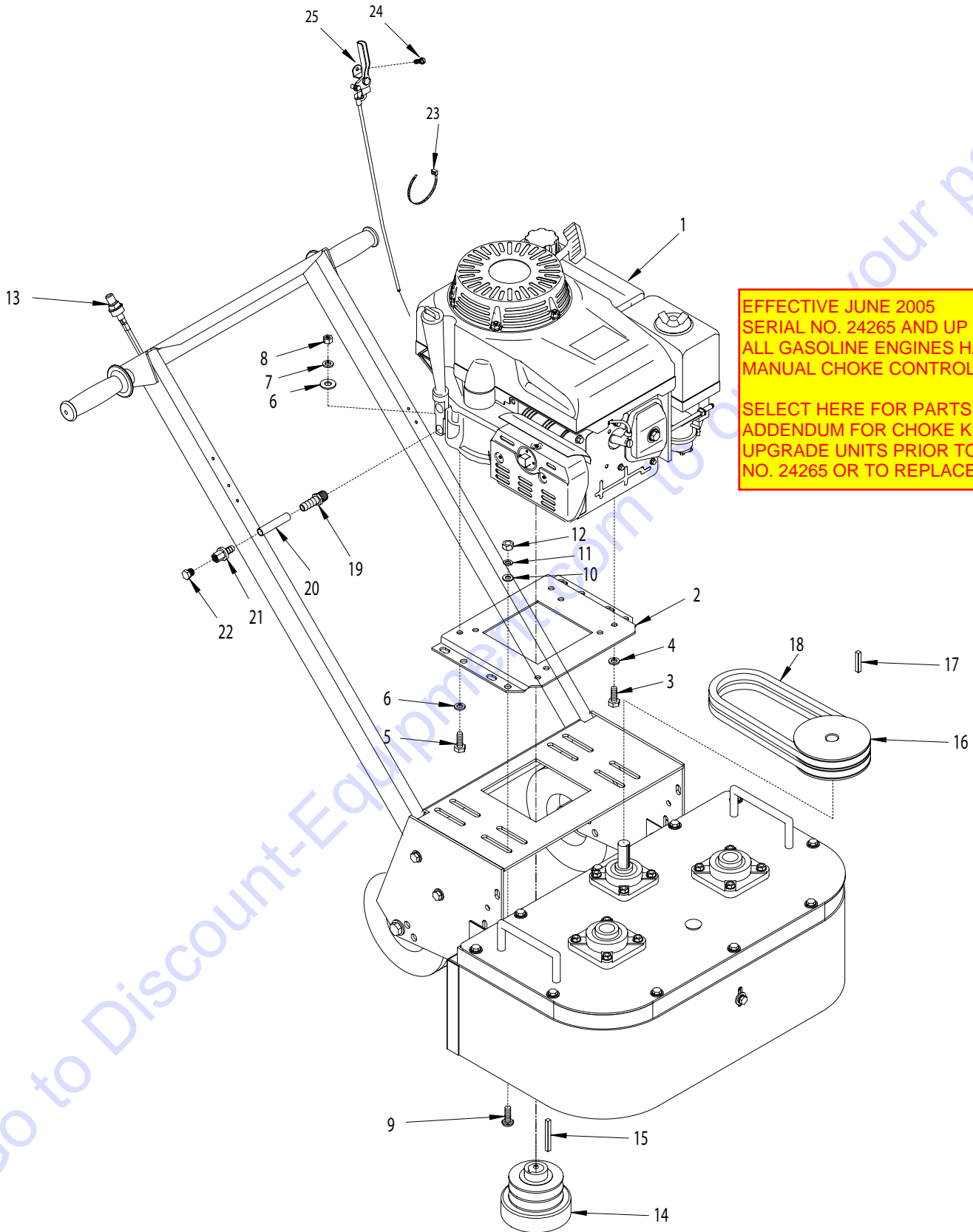
ITEM#	PART#	DESCRIPTION	QTY.
1	56022A	VALVE SUBASSY., w/ BRACKET (INCL. ITEMS 2-5)	1
2	56022	BRACKET, WATER VALVE	1
3	10711	VALVE, BALL 1/2 FPT	1
4	80021	CONN., SWIVEL FEMALE 3/4 HOSE x 1/2 MPT	1
	10070	WASHER, HOSE 3/4 (INCLUDED W/ CONNECTOR)	
5	10799	BARB ELBOW 90° 3/8 HOSE x 1/4 MPT	1
6	10846	SCREW, CAP STSHW 1/4-20 X 1/2	2
7	50069	CLAMP, HOSE, SAE #6, ADJ. to 13/16	2
8	65081	HOSE, WATER 3/8" ID x 34" L	1
9	10694	BARB, 3/8 HOSE x 1/8 MPT	1
10	10772	ELBOW, STREET 1/8 NPT x 45° (BRASS)	2
11	10982	TIE, CABLE, BLACK NYLON 11-1/4'	2

ILLUSTRATION 6 : ENGINE & BELT DRIVE GROUPING (5.5 HP)



PARTS LISTING - ILLUSTRATION 6 : ENGINE & BELT DRIVE GROUPING (5.5 HP)			
ITEM#	PART#	DESCRIPTION	QTY.
1	76020	ENGINE, HONDA 5.5 HP GXV160KN12	1
2	76023	MOUNT, ENGINE	1
3	10048	SCREW, CAP 5/16-24 X 3/4	3
4	10801	WASHER, LOCK 5/16	3
5	10342	SCREW, CAP 5/16-18 X 1-1/2	1
6	10025	WASHER, FLAT 3/8	2
7	10811	WASHER, LOCK 3/8	1
8	10054	NUT 5/16-18	1
9	10802	BOLT, CARRIAGE 3/8-16 X 1	4
10	10025	WASHER, FLAT 3/8	4
11	10811	WASHER, LOCK 3/8	4
12	10404	NUT 3/8-16	4
13	50010	SWITCH KIT, STOP BUTTON, 7/8" HOLE	1
14	77024	CLUTCH, CENTRIFUGAL 3.5 X 1GR X 7/8	1
15	10019	KEY, WOODRUFF 5/32 X 5/8 (#505)	1
16	3654	SHEAVE 5"OD X 1GR.B X 3/4"BORE	1
17	10016	KEY 3/16SQ X 1-1/2	1
18	10051	BELT 5L-270	1
19	11541	BARB, PUSH-ON 3/8HOSEX10MMX1.25	1
20	72106	HOSE, PUSH-ON 3/8"ID X 2-1/4"L	1
21	11544	BARB, PUSH-ON 3/8HOSE X 1/4FPT	1
22	10776	PIPE PLUG 1/4 NPT (BRASS)	1
23	10982	TIE, CABLE, BLACK NYLON 11-1/4"	1
24	10877	SCREW, CAP STSHW 10-24 X 1/2	2
25	40388	CABLE, THROTTLE, LEVER-TYPE 24"	1

ILLUSTRATION 7 : ENGINE & BELT DRIVE GROUPING (11 HP)



**EFFECTIVE JUNE 2005
SERIAL NO. 24265 AND UP
ALL GASOLINE ENGINES HAVE A
MANUAL CHOKE CONTROL.**

**SELECT HERE FOR PARTS LIST
ADDENDUM FOR CHOKE KIT TO
UPGRADE UNITS PRIOR TO SERIAL
NO. 24265 OR TO REPLACE PARTS.**



PARTS FINDER

**Search Website
by Part Number**



**Search Manual
Library For Parts
Manual & Lookup Part
Numbers – Purchase
or Request Quote**

Search Manuals

Enter your information to help us find the right parts manual for your machine.

* Brand:

* Model:

* Serial:

* Part Number:

SEARCH

**Can't Find Part or
Manual? Request Help
by Manufacturer,
Model & Description**

Parts Order Form

Please fill in the following information to help us find the right part for your machine.

MANUFACTURER:

MODEL:

DESCRIPTION:

DATE:

NAME:

PHONE:

EMAIL:

ADDRESS:

CITY:

STATE:

ZIP:

SEARCH

Discount-Equipment.com is your online resource for quality parts & equipment.

Florida: **561-964-4949** Outside Florida TOLL FREE: **877-690-3101**

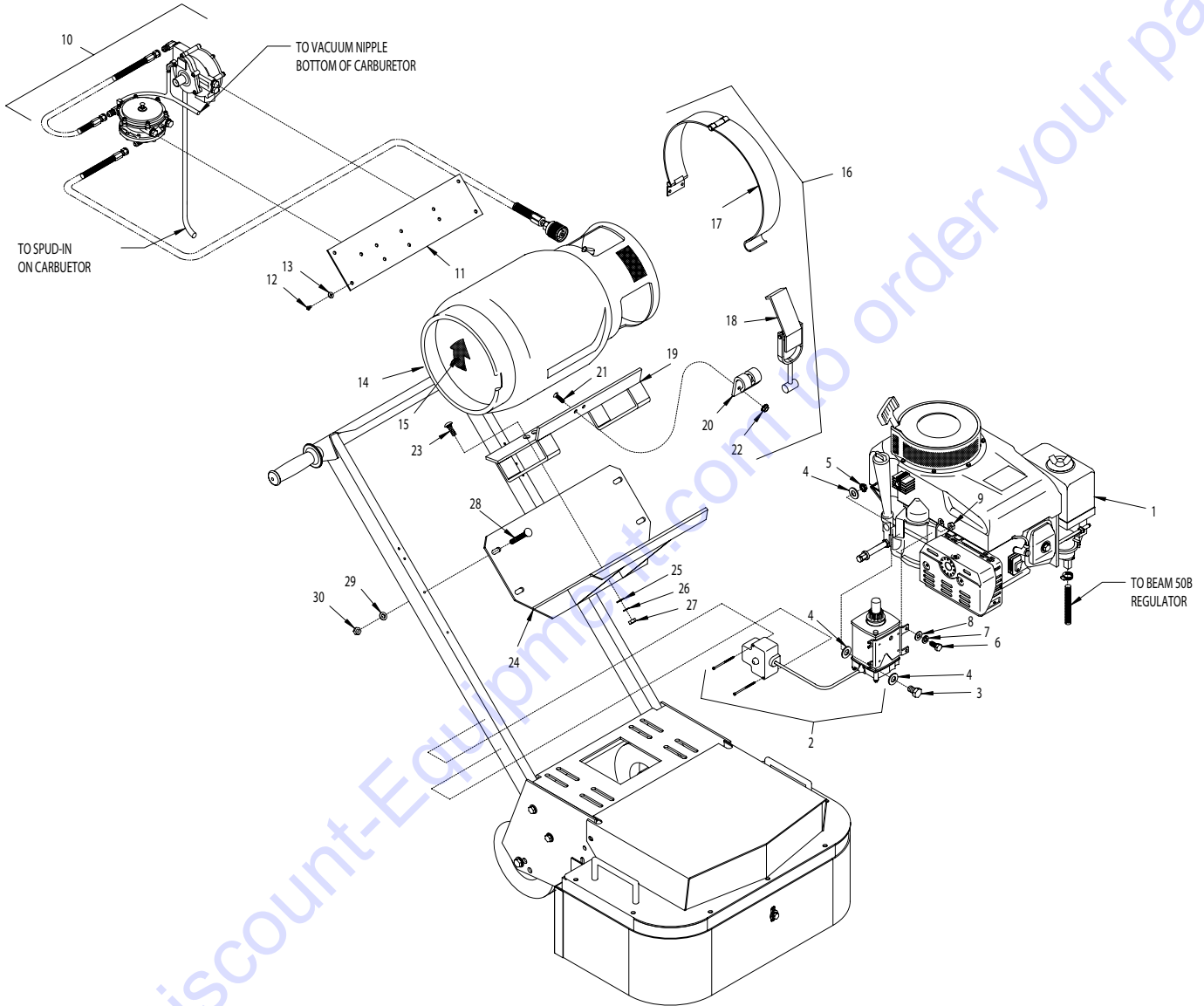
Need parts?

Click on this link: <http://www.discount-equipment.com/category/5443-parts/> and choose one of the options to help get the right parts and equipment you are looking for. Please have the machine model and serial number available in order to help us get you the correct parts. If you don't find the part on the website or on one of the online manuals, please fill out the request form and one of our experienced staff members will get back to you with a quote for the right part that your machine needs.

We sell worldwide for the brands: Genie, Terex, JLG, MultiQuip, Mikasa, Essick, Whiteman, Mayco, Toro Stone, Diamond Products, Generac Magnum, Airman, Haulotte, Barreto, Power Blanket, Nifty Lift, Atlas Copco, Chicago Pneumatic, Allmand, Miller Curber, Skyjack, Lull, Skytrak, Tsurumi, Husquvarna Target, Stow, Wacker, Sakai, Mi-T-M, Sullair, Basic, Dynapac, MBW, Weber, Bartell, Bennar Newman, Haulotte, Ditch Runner, Menegotti, Morrison, Contec, Buddy, Crown, Edco, Wyco, Bomag, Laymor, EZ Trench, Bil-Jax, F.S. Curtis, Gehl Pavers, Heli, Honda, ICS/PowerGrit, IHI, Partner, Imer, Clipper, MMD, Koshin, Rice, CH&E, General Equipment, Amida, Coleman, NAC, Gradall, Square Shooter, Kent, Stanley, Tamco, Toku, Hatz, Kohler, Robin, Wisconsin, Northrock, Oztec, Toker TK, Rol-Air, APT, Wylie, Ingersoll Rand / Doosan, Innovatech, Con X, Ammann, Mecalac, Makinex, Smith Surface Prep, Small Line, Wanco, Yanmar

PARTS LISTING - ILLUSTRATION 7 : ENGINE & BELT DRIVE GROUPING (11 HP)			
ITEM#	PART#	DESCRIPTION	QTY.
1	76004	ENGINE, HONDA 11 HP GXV340K2-DX3	1
2	76023	MOUNT, ENGINE	1
3	10048	SCREW, CAP 5/16-24 X 3/4	2
4	10801	WASHER, LOCK 5/16	2
5	10606	SCREW, CAP 5/16-18 X 1-1/4	2
6	10213	WASHER, FLAT 5/16	4
7	10801	WASHER, LOCK 5/16	2
8	10054	NUT 5/16-18	2
9	10802	BOLT, CARRIAGE 3/8-16 X 1	4
10	10025	WASHER, FLAT 3/8	4
11	10811	WASHER, LOCK 3/8	4
12	10404	NUT 3/8-16	4
13	50010	SWITCH KIT, STOP BUTTON, 7/8" HOLE	1
14	76024	CLUTCH, CENTRIFUGAL 3.5 X 2GR X 1	1
15	10307	KEY 1/4SQ X 2-1/4	1
16	77058	SHEAVE 5"OD X 2GR.B X 3/4"BORE	1
17	10016	KEY 3/16SQ X 1-1/2	1
18	10051	BELT 5L-270	2
19	11543	BARB, PUSH-ON 3/8HOSEX20MMX1.50	1
20	56116	HOSE, PUSH-ON 3/8"ID X 3"L	1
21	11544	BARB, PUSH-ON 3/8HOSE X 1/4FPT	1
22	10776	PIPE PLUG 1/4 NPT (BRASS)	1
23	10982	TIE, CABLE, BLACK NYLON 11-1/4"	1
24	10877	SCREW, CAP STSHW 10-24 X 1/2	2
25	40388	CABLE, THROTTLE, LEVER-TYPE 24"	1

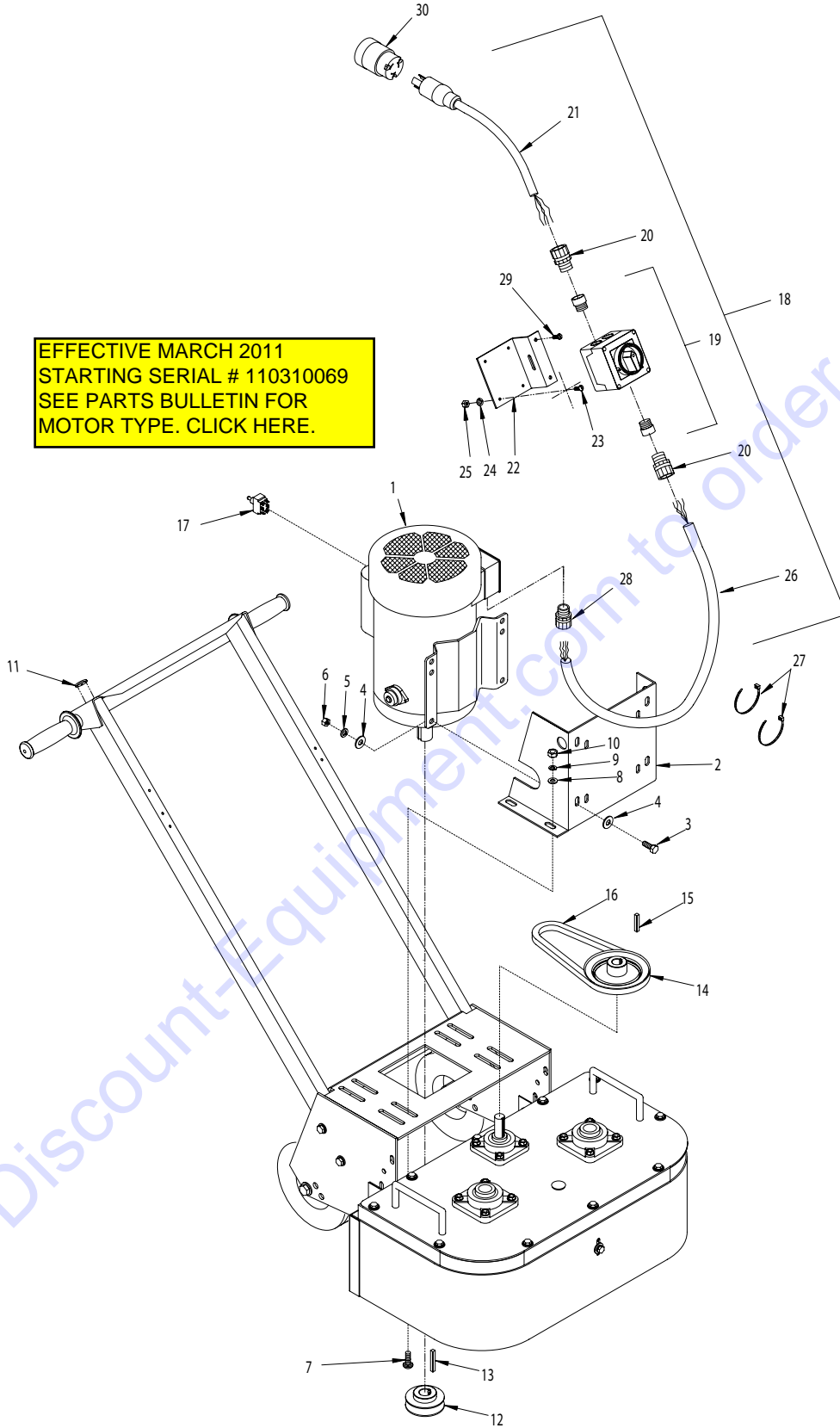
ILLUSTRATION 8 : PROPANE OPTION



PARTS LISTING - ILLUSTRATION 8 : PROPANE OPTION			
ITEM#	PART#	DESCRIPTION	QTY.
1	15012	ENGINE, HONDA 11. HP GXV340-DAP2	1
2	15126	STARTER KIT, ELECTRIC 120 VOLTAC	1
3	10031	SCREW, CAP 1/4-20 X 1	2
4	10602	WASHER, FLAT 1/4	6
5	10861	NUT, KEPS 1/4-20	2
6	77262	SCREW, CAP M6 X 1.0P X 18MM	2
7	10038	WASHER, LOCK 1/4	2
8	10602	WASHER, FLAT 1/4	2
9	77251	NUT M6 X 1.0MM PITCH	2
10	15102	VAPOR KIT FOR HONDA GXV340-DAP2	1
11	77063	PROPANE REGULATOR MOUNT PLATE	1
12	10846	SCREW, CAP STSHW 1/4-20 X 1/2	4
13	10038	WASHER, LOCK 1/4	4
14	15130	PROPANE TANK 20LB. HORZ.	1
15	91122	DECAL, ARROW, RED, 3 X 3	1
16	77061	PROPANE TANK MOUNT COMPLETE (INCLUDES ITEMS 17-22)	1
17	77061-2	PROPANE TANK STRAP W/ HINGE	1
18	77061-4	PROPANE TANK TOGGLE CLAMP	1
19	77061-1	PROPANE TANK CRADDLE BRACKET ONLY	1
20	77061-3	PROPANE TANK CLAW BRACKET	1
21	11661	SCREW, FLAT HD SLOTTED 1/4-20 X 1	4
22	10861	NUT, KEPS 1/4-20	4
23	10802	BOLT, CARRIAGE 3/8-16 X 1	4
24	77062	PROPANE TANK MOUNT	1
25	10025	WASHER, FLAT 3/8	4
26	10811	WASHER, LOCK 3/8	4
27	10404	NUT 3/8-16	4
28	10908	BOLT, CARRIAGE 3/8-16 X 2-1/2	4
29	10025	WASHER, FLAT 3/8	4
30	10810	NUT, LOCK 3/8-16	4

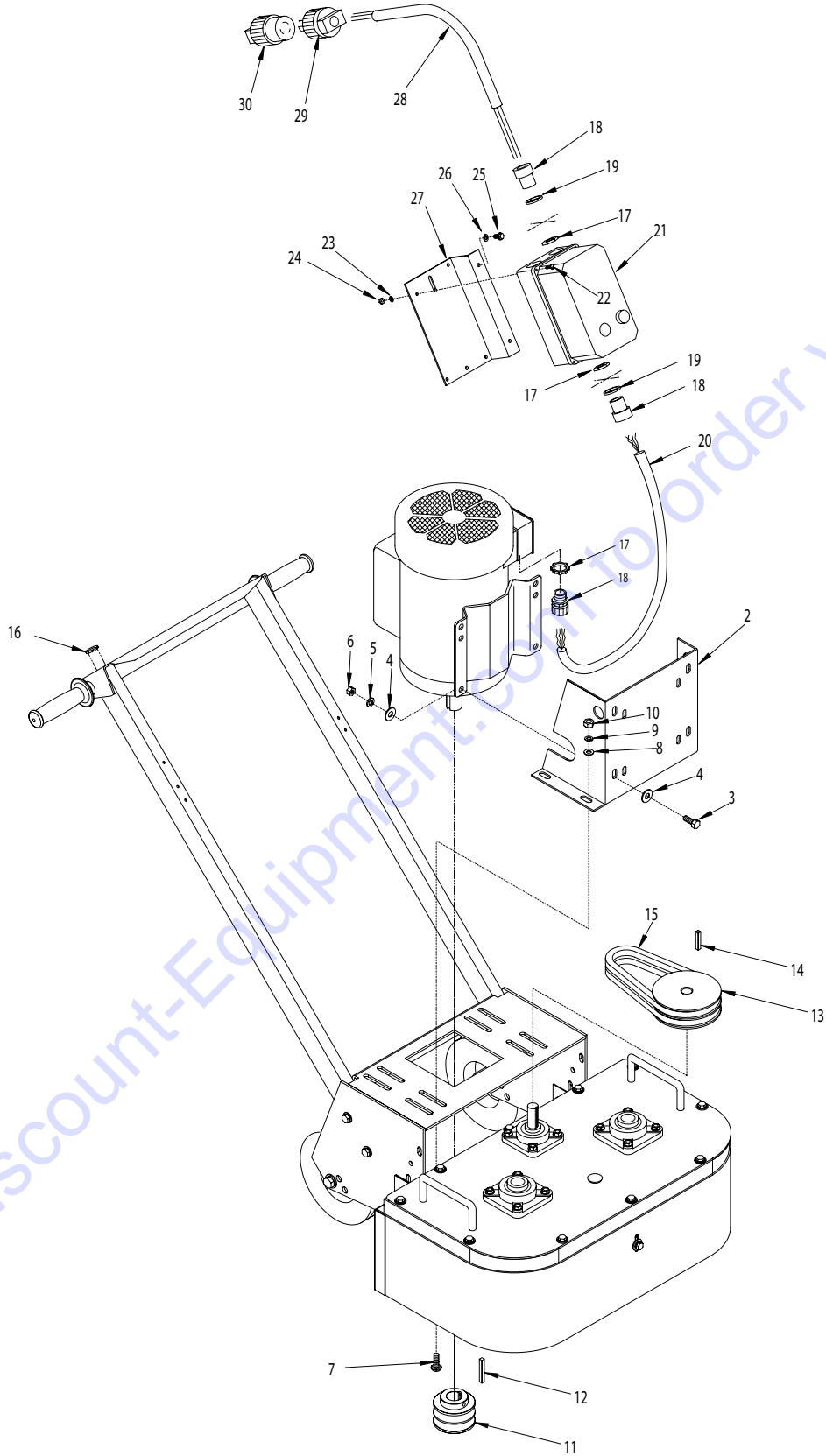
ILLUSTRATION 9 : MOTOR & BELT DRIVE GROUPING (1.5 & 2 HP)

EFFECTIVE MARCH 2011
STARTING SERIAL # 110310069
SEE PARTS BULLETIN FOR
MOTOR TYPE. CLICK HERE.



PARTS LISTING - ILLUSTRATION 9 : MOTOR & BELT DRIVE GROUPING (1.5&2 HP)			
ITEM#	PART#	DESCRIPTION	QTY.
1		MOTOR	1
	16070	1.5HP-1 PHASE-60HZ-115/230V 1740RPM (REV. OCT. 2009)	
	16019	2.0HP-1 PHASE-50HZ-110/220V 1425RPM (EXPORT MODEL)	
2	77037	MOUNT, MOTOR	1
3	10021	SCREW, CAP 3/8-24 X 1	4
4	10025	WASHER, FLAT 3/8	4
5	10811	WASHER, LOCK 3/8	4
6	10014	NUT 3/8-24	4
7	10802	BOLT, CARRIAGE 3/8-16 X 1	4
8	10025	WASHER, FLAT 3/8	8
9	10811	WASHER, LOCK 3/8	4
10	10404	NUT 3/8-16	4
11	10005	PLUG, HOLE 7/8" (CHROME)	1
12		SHEAVE	1
	77017	3"OD X 1GR.B X 7/8"BORE (BALDOR 1.5HP)	
	77030	3"OD X 1GR.B X 1-1/8"BORE (LEESON 1.5HP & BALDOR 2HP)	
13	-----	KEY 3/16 SQ. (INCLUDED WITH MOTOR)	1
14	3654	SHEAVE 5"OD X 1GR.B X 3/4"BORE	1
15	10016	KEY 3/16SQ X 1-1/2	1
16	10051	BELT 5L-270	1
17	76002	SWITCH, TOGGLE DPDT (VOLTAGE SELECTOR) USED ON 1.5 HP MOTOR ONLY	1
18	77028	SWITCH & WIRE HARNESS ASSY. (INCLUDES ITEMS 19 THRU 26)	1
19	77043	SWITCH, ROTARY CAM ON/OFF, LOVATO INCLUDES (2) 1/2 NPT ADAPTERS	1
20	41130	STRAIN RELIEF 1/2NPT X .550-.650"	2
21	77044	PLUG W/ 12/3 WIRE HARNESS, LOCKING	1
22	77042	BRACKET, LOVATO SWITCH BOX	1
23	11663	SCREW, MACHINE 8-32 X 1/2 (LOCATED INSIDE SWITCH BOX)	4
24	10461	WASHER, LOCK, INT. TOOTH #8	4
25	10462	NUT 8-32	4
26	77045	WIRE HARNESS, 12/3 X 39"LOA	1
*27	10982	TIE, CABLE, BLACK NYLON 11-1/4"	2
*28	10959	STRAIN RELIEF 3/4NPT X .550-.650"	1
*29	10846	SCREW, CAP STSHW 1/4-20 X 1/2	2
*30	40000	PLUG CONNECTOR, LOCKING 20A/250V	1
*NOTE: ITEMS 27 THRU 30 ARE NOT INCLUDED WITH ASSEMBLY			

ILLUSTRATION 10 : MOTOR & BELT DRIVE GROUPING (3 HP)



PARTS LISTING - ILLUSTRATION 10 : MOTOR & BELT DRIVE GROUPING (3 HP)

ITEM#	PART#	DESCRIPTION	QTY.
1	16003	MOTOR, BALDOR 3HP-1PH 60HZ-230V 1725RPM	1
2	77037	MOUNT, MOTOR	1
3	10021	SCREW, CAP 3/8-24 X 1	4
4	10025	WASHER, FLAT 3/8	8
5	10811	WASHER, LOCK 3/8	4
6	10014	NUT 3/8-24	4
7	10802	BOLT, CARRIAGE 3/8-16 X 1	4
8	10025	WASHER, FLAT 3/8	4
9	10811	WASHER, LOCK 3/8	4
10	10404	NUT 3/8-16	4
11	79023	SHEAVE 3"OD X 2GR.B X 1-1/8"BORE	1
12	-----	KEY 1/4SQ. (INCLUDED WITH MOTOR)	1
13	77058	SHEAVE 5"OD X 2GR.B X 3/4"BORE	1
14	10016	KEY 3/16SQ X 1-1/2	1
15	10051	BELT 5L-270	2
16	10005	PLUG, HOLE 7/8" (CHROME)	1
17	10740	CONDUIT LOCK NUT 3/4 NP	3
18	10605	STRAIN RELIEF 3/4NPT X .650-.750"	3
19	77081	WASHER, FLAT 1-9/16 X 1-1/16 X .06	2
20	77082	WIRE HARNESS 12/3 X 40"LOA, STARTER TO MOTOR	1
21	16405	STARTER 11-M1-BRF-P23-23-23060	1
22	10362	SCREW, MACHINE 8-32 X 3/4	4
23	10461	WASHER, LOCK, INT. TOOTH #8	4
24	10462	NUT 8-32	4
25	10846	SCREW, CAP STSHW 1/4-20 X 1/2	2
26	10038	WASHER, LOCK 1/4	2
27	86027	MOUNTING BRKT., LOVATO STARTER	1
28	77083	WIRE HARNESS 12/3 X 20"LOA, STARTER TO PLUG	1
29	40037	PLUG, LOCKING 20A/250V	1
30	40000	PLUG CONNECTOR, LOCKING 20A/250V	1

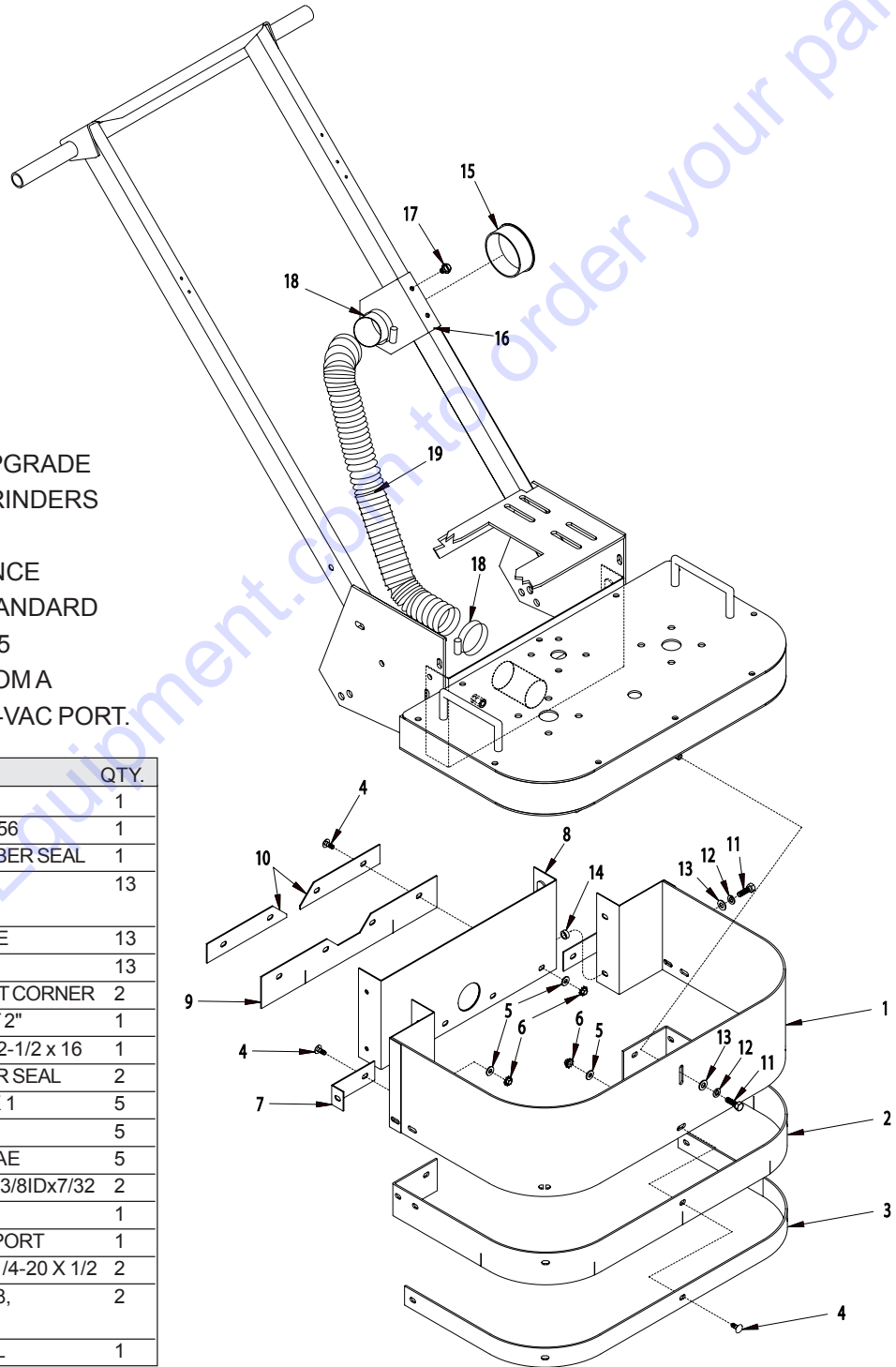
REVISED STARTING
SERIAL #051210058

**SKIRT KIT W/ RUBBER SEALS
AND REMOTE VACUUM PORT FOR
DUAL DISC GRINDERS*
PART# 77140**

***NOTE:**

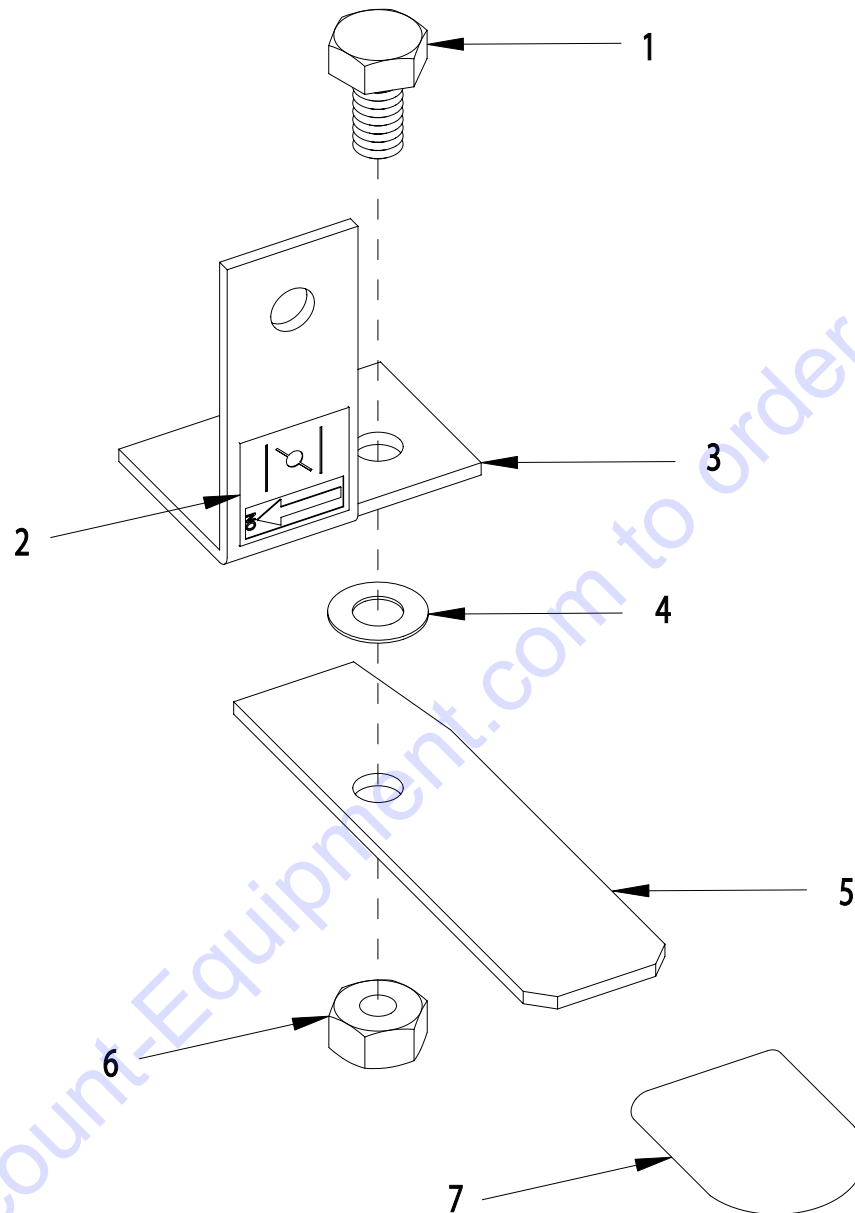
THIS KIT CAN BE USED TO UPGRADE
ALL MODEL 2-EC OR 2-GC GRINDERS
MANUFACTURED BETWEEN
DEC. 1991 AND FEB. 2005. SINCE
FEB. 2005 ALL PARTS ARE STANDARD
ON THE GRINDERS. DEC. 2005
ITEM #16 WAS CHANGED FROM A
2" VAC PORT TO A 2 2/3" MULTI-VAC PORT.

ITEM#	PART#	DESCRIPTION	QTY.
1	77001	SKIRT GUARD	1
2	77141	RUBBER SEAL 2-1/2 x 56	1
3	77143	RETAINING STRIP, RUBBER SEAL	1
4	11676	BOLT, CARRIAGE 1/4-20 X 5/8 GRADE 2	13
5	10602	WASHER, FLAT 1/4 SAE	13
6	10861	NUT, KEPS 1/4-20	13
7	77339	RETAINING BRKT., SKIRT CORNER	2
8	77112	PANEL, VACUUM PORT 2"	1
9	77142	RUBBER SEAL, REAR 2-1/2 x 16	1
10	77144	RETAINING STRIP, REAR SEAL	2
11	10806	SCREW, CAP 5/16-18 X 1	5
12	10801	WASHER, LOCK 5/16	5
13	10213	WASHER, FLAT 5/16 SAE	5
14	10113	SPACER, STL. 9/16ODx3/8IDx7/32	2
15	64030	PLUG, CAP 3" TUBE	1
16	86347	BRACKET, MULTI-VAC PORT	1
17	10846	SCREW, CAP STSHW 1/4-20 X 1/2	2
18	10766	CLAMP, HOSE, SAE #28, ADJ. TO 2-1/4	2
19	77113	HOSE, FLEX 2"ID X 32"L	1



MANUAL CHOKE KIT

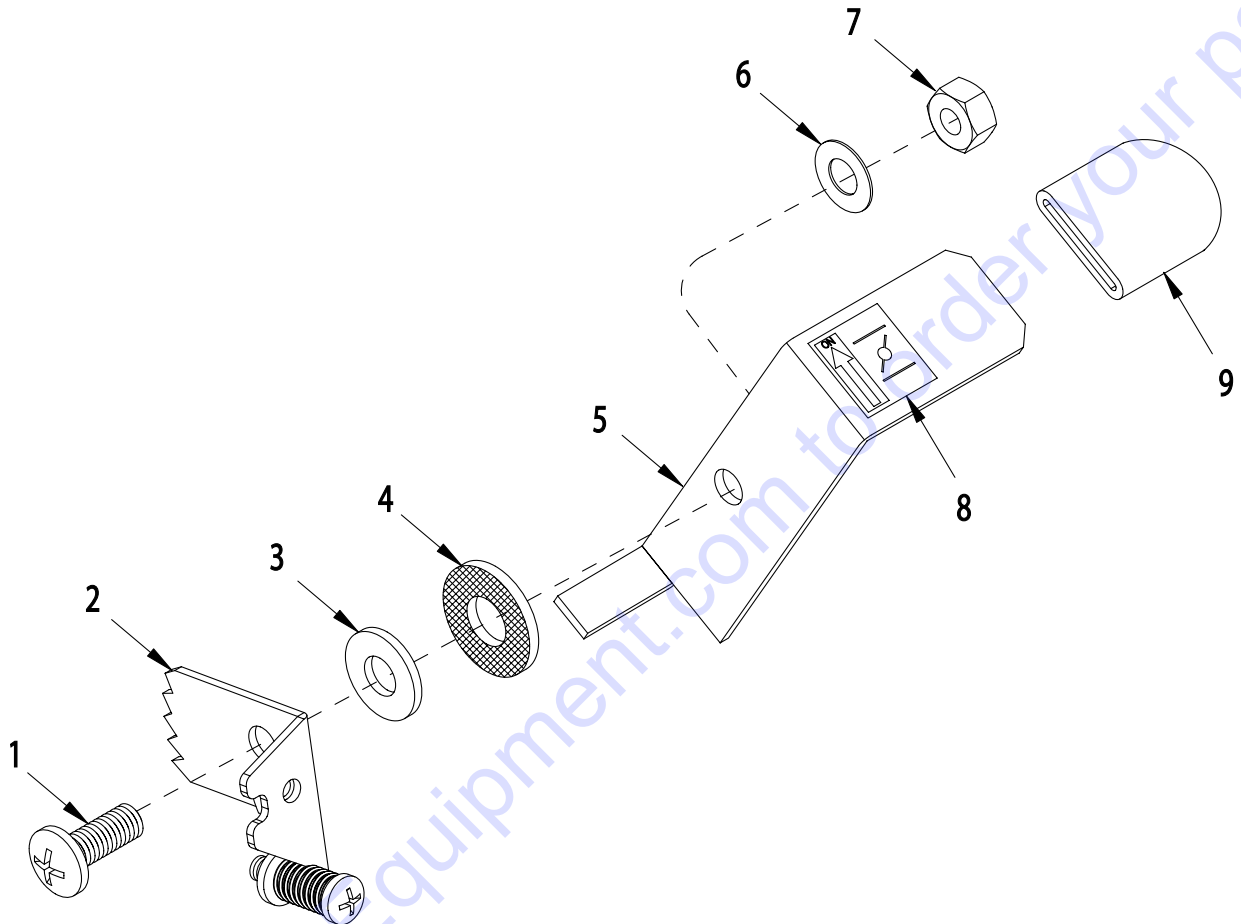
FOR HONDA GXV160 5.5 HP PART #15180



ITEM#	PART#	DESCRIPTION	QTY.
1	10834	SCREW, CAP 1/4-20 X 1/2	1
2	91301	DECAL, CHOKE 5/8 X 5/8	1
3	15182	BRKT., CHOKE CONTROL	1
4	15186	WASHER, BELLEVILLE .500 X.255 X.018	1
5	15181	LEVER, CHOKE CONTROL	1
6	10150	NUT, HEX NYLON LOCK 1/4-20	1
7	15184	CAP, FLAT RED .062 X .75 X 1	1

MANUAL CHOKE KIT

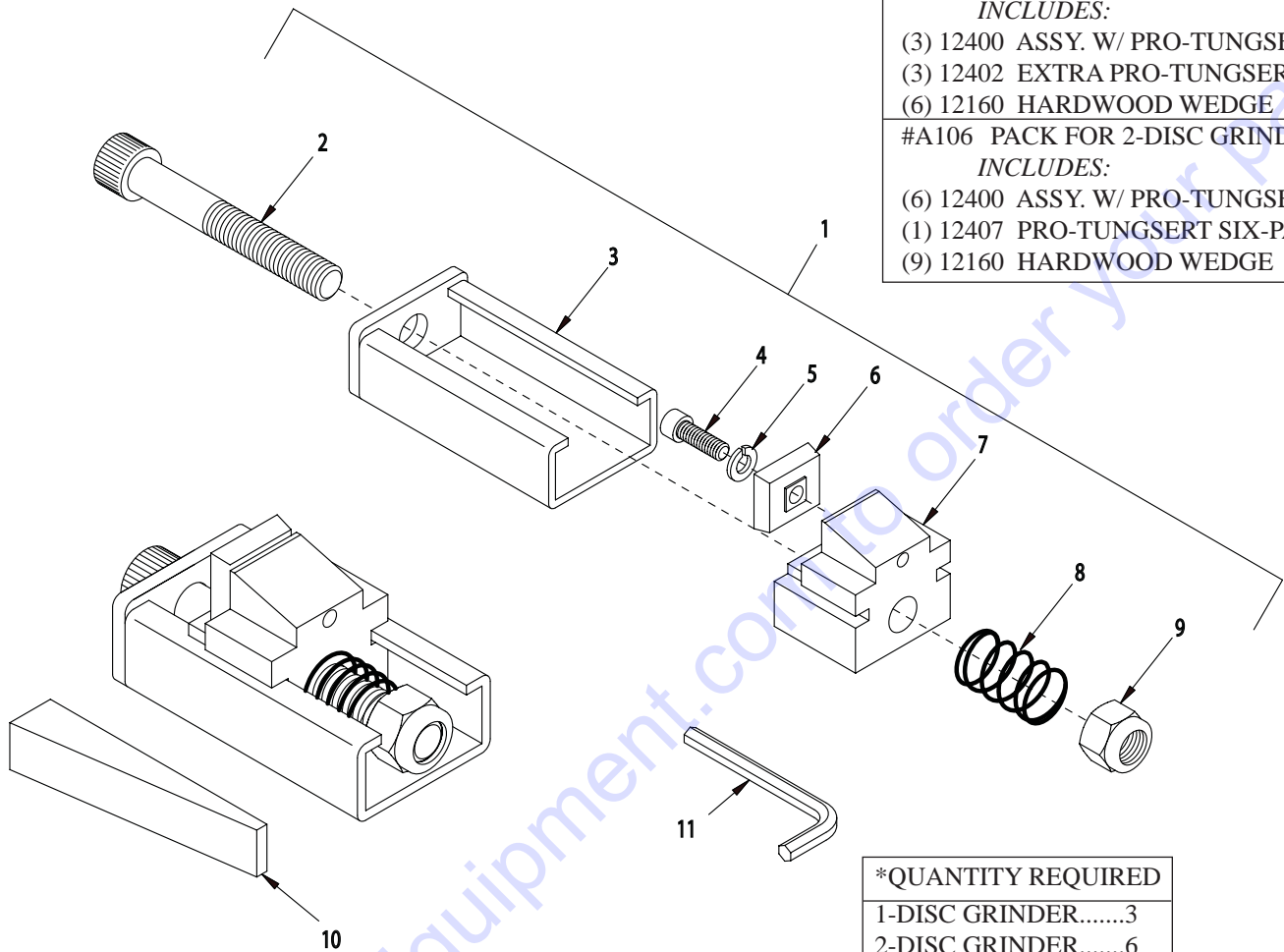
FOR HONDA GXV340 11 HP PART #15190



ITEM#	PART#	DESCRIPTION	QTY.
1	15185	SCREW, MACHINE M6 X 16MM PHILLIP HD	1
2	-----	BREAKAWAY VIEW OF ENGINE THROTTLE BRACKET (SHOWN FOR MOUNTING DETAIL)	-
3	10602	WASHER, FLAT 1/4 SAE	1
4	15187	WASHER, FIBER .75 X .25 X .093	1
5	15183	LEVER, CHOKE CONTROL	1
6	15186	WASHER, BELLEVILLE .500 X .255 X .018	1
7	28026	NUT, HEX NYLON LOCK M6 X 1MM	1
8	91301	DECAL, CHOKE 5/8 X 5/8	1
9	15184	CAP, FLAT RED .062 X .75 X 1	1

FLOOR GRINDER STRIP-SERT™ ACCESSORY TUNGSTEN CARBIDE SCRAPER

REVISED APRIL 2006



STARTUP PACKS	
#A105	PACK FOR 1-DISC GRINDER
<i>INCLUDES:</i>	
(3)	12400 ASSY. W/ PRO-TUNGSERT
(3)	12402 EXTRA PRO-TUNGSERT
(6)	12160 HARDWOOD WEDGE
#A106	PACK FOR 2-DISC GRINDER
<i>INCLUDES:</i>	
(6)	12400 ASSY. W/ PRO-TUNGSERT
(1)	12407 PRO-TUNGSERT SIX-PACK
(9)	12160 HARDWOOD WEDGE

*QUANTITY REQUIRED	
1-DISC GRINDER.....	3
2-DISC GRINDER.....	6
4-DISC GRINDER.....	12

ITEM#	PART#	DESCRIPTION	QTY.
1		STRIP-SERT ASSEMBLY	*
	12400	ASSY. WITH PRO TUNGSERT (ITEMS 2-9)	
	12401	ASSY. W/O PRO TUNGSERT, ITEM 6	
2	12405	SCREW, SKT.HD.CAP 1/2-13 X 3.5,GR.8	1
3	12404	TUNGSERT HLD.R, STRIP-SERT(REX BOX)	1
4	11573	SCREW, SKT. HD. CAP 1/4-20 X 3/4	1
5	11688	WASHER, HI-COLLAR LOCK .26ID X .363	1
6	12402	PRO TUNGSERT, 4 SIDED CARBIDE	1
or	12407	PRO TUNGSERT (PACK OF 6 INCLUDING: SIX OF ITEMS 4, 5, & 6 AND ONE OF ITEM 11)	
7	12403	TUNGSERT BLOCK, STRIP-SERT	1
8	12406	SPRING, COMP. .765"OD X 1.25"FL	1
9	10155	NUT, HEX NYLON LOCK 1/2-13	1
10	12160	WEDGE CG225, HARDWOOD (EA)	1
11	12413	WRENCH, HEX L-KEY 3/16", SHORT-ARM	1





A Division of Equipment Development Company, Inc.

PARTS BULLETIN

MOTOR TYPE ON 1.5 H.P. 1-PHASE ELECTRIC EQUIPMENT EFFECTIVE MARCH 2011, STARTING W/ S/N 110310069

On the following Equipment the Motor may be either Leeson Cat. No. 132189 or Baldor Spec. No. 36F57-385:

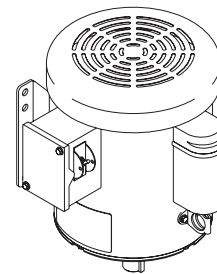
- 50100 2EC Concrete Floor Grinder
- 70500 CPM4 Scarifier/Planer

The Model Suffix for these Power Options will be 1.5L for the Leeson Motor and 1.5B for the Baldor Motor.

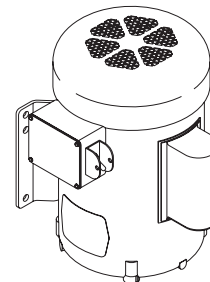
- Complete Model Numbers:
 Model # 2EC-1.5L or 2EC-1.5B
 Model # CPM4-1.5L or CPM4-1.5B

Please Note: Because the Shaft Diameters are different (see chart below), the Part Numbers for the Sheave or the Sheave Bushing mounted to the Motor will also differ. See Parts List for more information.

MOTOR SPECIFICATION CHART		
	LEESON Cat. No. 132189	BALDOR Spec. 36F57-385
Part Number	16070	76027
Horse Power	1.5	1.5
Phase	1	1
Hertz	60	60
Volts	115/230	115/230
Full Load Amps	20/10	19/9.5
RPM	1740	1725
Frame	184T	184T
Shaft	1-1/8"	7/8"
Weight	57 Lbs.	64 Lbs.

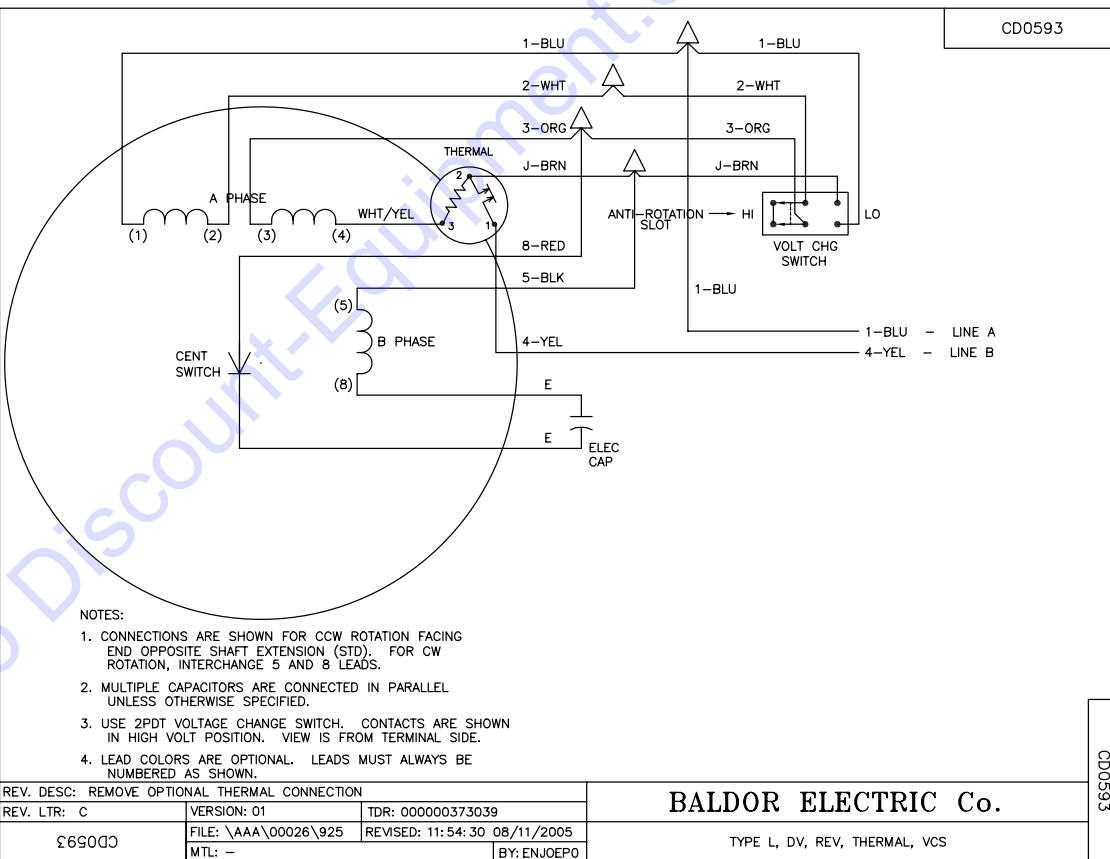
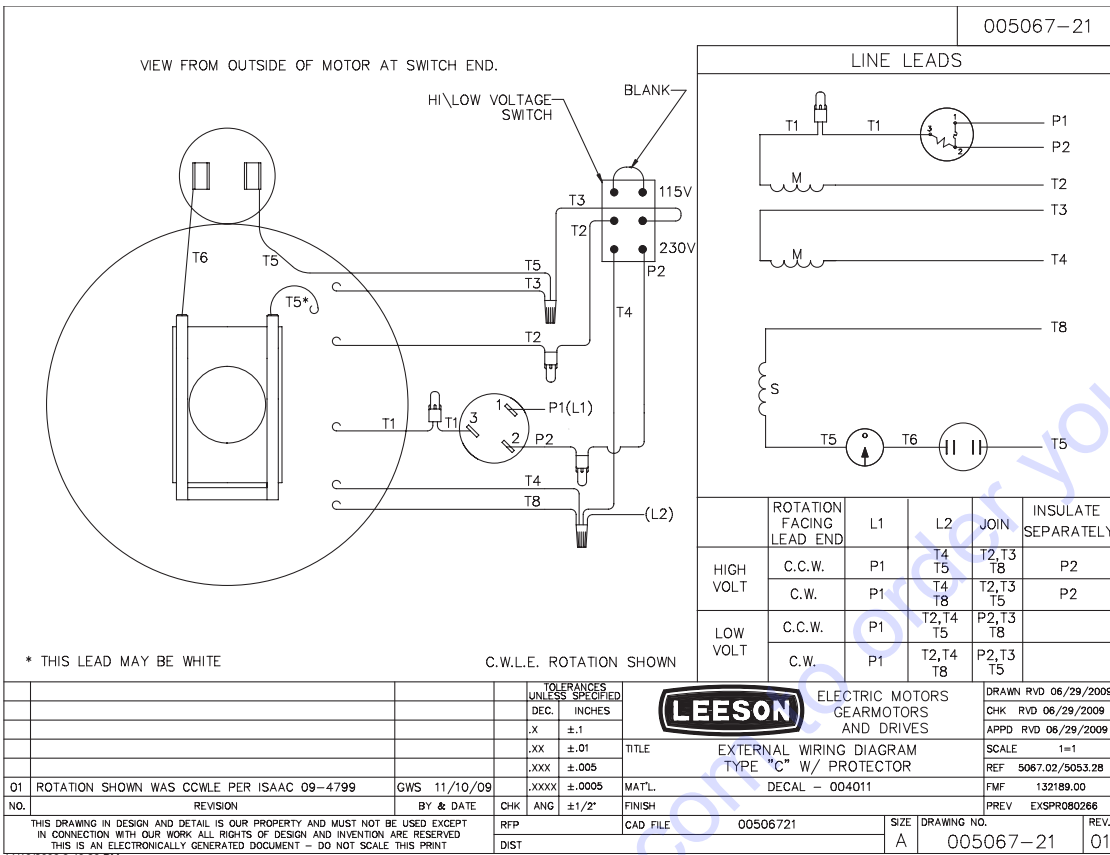


LEESON MOTOR



BALDOR MOTOR

See the reverse side of this page for the Wiring Diagrams for these Motors.



PARTS FINDER

**Search Website
by Part Number**



**Search Manual
Library For Parts
Manual & Lookup Part
Numbers – Purchase
or Request Quote**

Search Manuals

Enter your information to help us find the right parts manual for your machine.

* Brand:

* Model:

* Serial:

* Part Number:

SEARCH

**Can't Find Part or
Manual? Request Help
by Manufacturer,
Model & Description**

Parts Order Form

Please fill in the following information to help us find the right part for your machine.

Manufacturer:	<input type="text"/>
Model:	<input type="text"/>
Description:	<input type="text"/>
Part Number:	<input type="text"/>
Quantity:	<input type="text"/>
Notes:	<input type="text"/>

Submit

Discount-Equipment.com is your online resource for quality parts & equipment.

Florida: **561-964-4949** Outside Florida TOLL FREE: **877-690-3101**

Need parts?

Click on this link: <http://www.discount-equipment.com/category/5443-parts/> and choose one of the options to help get the right parts and equipment you are looking for. Please have the machine model and serial number available in order to help us get you the correct parts. If you don't find the part on the website or on one of the online manuals, please fill out the request form and one of our experienced staff members will get back to you with a quote for the right part that your machine needs.

We sell worldwide for the brands: Genie, Terex, JLG, MultiQuip, Mikasa, Essick, Whiteman, Mayco, Toro Stone, Diamond Products, Generac Magnum, Airman, Haulotte, Barreto, Power Blanket, Nifty Lift, Atlas Copco, Chicago Pneumatic, Allmand, Miller Curber, Skyjack, Lull, Skytrak, Tsurumi, Husquvarna Target, Stow, Wacker, Sakai, Mi-T-M, Sullair, Basic, Dynapac, MBW, Weber, Bartell, Bennar Newman, Haulotte, Ditch Runner, Menegotti, Morrison, Contec, Buddy, Crown, Edco, Wyco, Bomag, Laymor, EZ Trench, Bil-Jax, F.S. Curtis, Gehl Pavers, Heli, Honda, ICS/PowerGrit, IHI, Partner, Imer, Clipper, MMD, Koshin, Rice, CH&E, General Equipment, Amida, Coleman, NAC, Gradall, Square Shooter, Kent, Stanley, Tamco, Toku, Hatz, Kohler, Robin, Wisconsin, Northrock, Oztec, Toker TK, Rol-Air, APT, Wylie, Ingersoll Rand / Doosan, Innovatech, Con X, Ammann, Mecalac, Makinex, Smith Surface Prep, Small Line, Wanco, Yanmar