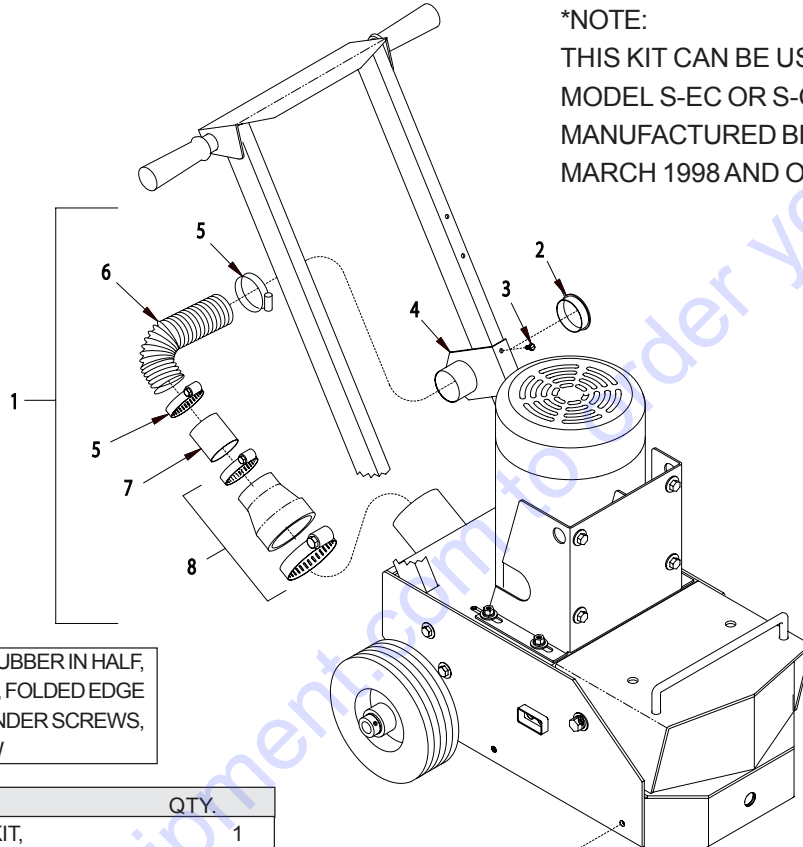


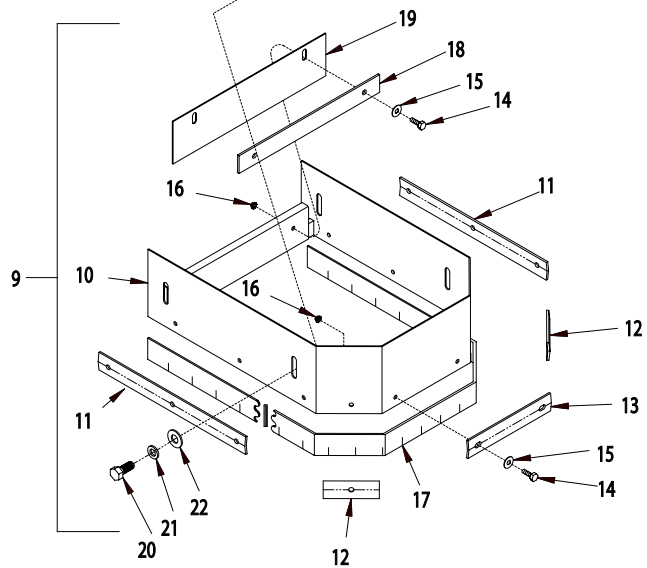
SKIRT KIT W/ RUBBER SEALS AND REMOTE VACUUM PORT FOR SINGLE DISC GRINDERS* PART# 86250

*NOTE:
THIS KIT CAN BE USED ON ALL
MODEL S-EC OR S-GC GRINDERS
MANUFACTURED BETWEEN
MARCH 1998 AND OCT. 2002



NOTE: AFTER FOLDING SKIRT RUBBER IN HALF,
TWO EDGES ARE FACING DOWN, FOLDED EDGE
FACING UP. TUCK RUBBER UP UNDER SCREWS,
LEAVING 3/4" HANGING BELOW

ITEM#	PART#	DESCRIPTION	QTY.
1	86221	VACUUM PORT KIT, 3" TO 2" CONVERSION	1
2	65021	PLUG, CAP 2" TUBE	1
3	10877	SCREW, CAP STSHW 10-24 X 1/2	2
4	86307	VACUUM PORT BRKT. 2"	1
5	10766	CLAMP, HOSE, SAE #28, ADJ. TO 2-1/4	2
6	86222	HOSE, FLEX 2"ID X 12"L	1
7	86223	PIPE 2"OD X 3"L	1
8	15153	ADAPTER, RUBBER, 3"x2" W/ CLAMPS	1
9	86202B	SKIRT ASSY. W/ RUBBER SEALS	1
10	86202	SKIRT	1
11	86217	SKIRT RETAINING STRIP, SIDE 12"	2
12	86216	SKIRT RETAINING STRIP, FRONT 3-1/4"	2
13	86215	SKIRT RETAINING STRIP, FRONT 6-3/4"	1
14	10018	SCREW, CAP 1/4-20 X 3/4	12
15	10602	WASHER, FLAT 1/4 SAE	12
16	10861	NUT, KEPS 1/4-20	12
17	86219	SKIRT RUBBER 3 X 41	1
18	86218	SKIRT RETAINING STRIP, REAR 11-1/2"	1
19	86220	SKIRT RUBBER 3 X 12-1/2	1
20	10055	SCREW, CAP 3/8-16 X 1	4
21	10811	WASHER, LOCK 3/8	4
22	10025	WASHER, FLAT 3/8 SAE	4



SELECT HERE FOR
SINGLE DISC GRINDERS

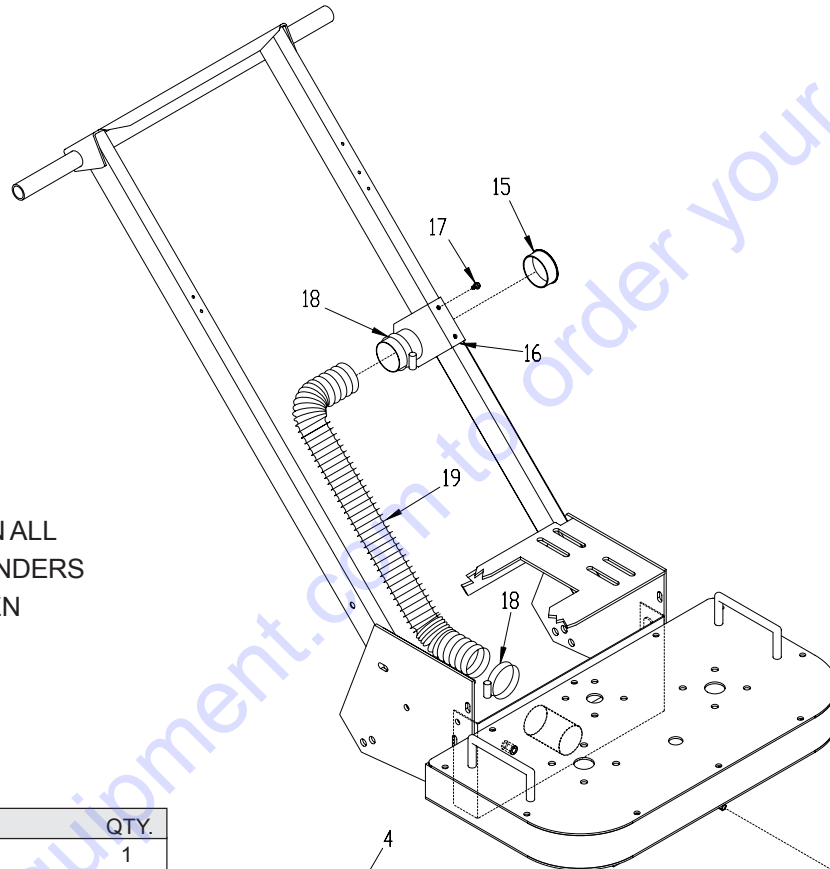
SELECT HERE FOR
FOUR DISC GRINDERS

E-2ECGC-PLA-0205

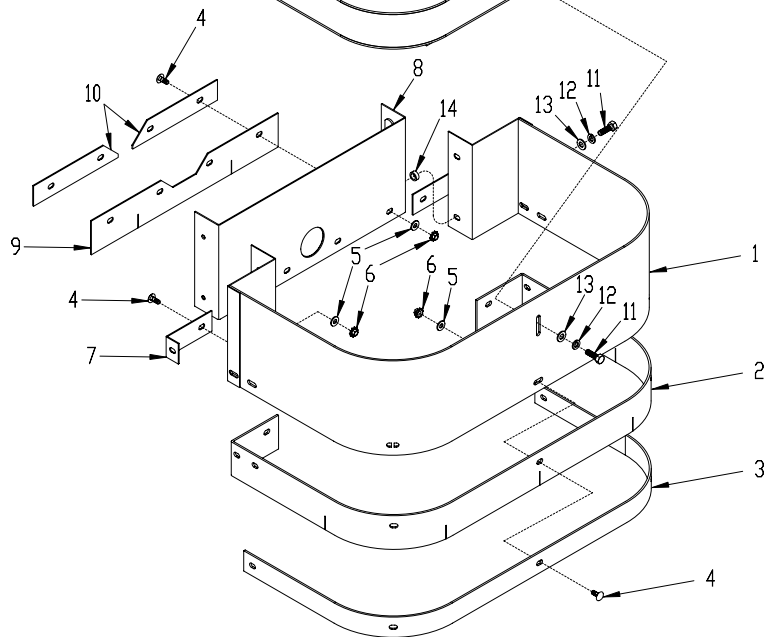
REVISED STARTING SERIAL # 24000

**NEW SKIRT KIT W/ RUBBER SEALS
AND REMOTE VACUUM PORT FOR
DUAL DISC GRINDERS*
PART# 77140**

*NOTE:
THIS KIT CAN BE USED ON ALL
MODEL 2-EC OR 2-GC GRINDERS
MANUFACTURED BETWEEN
DEC. 1991 AND FEB. 2005

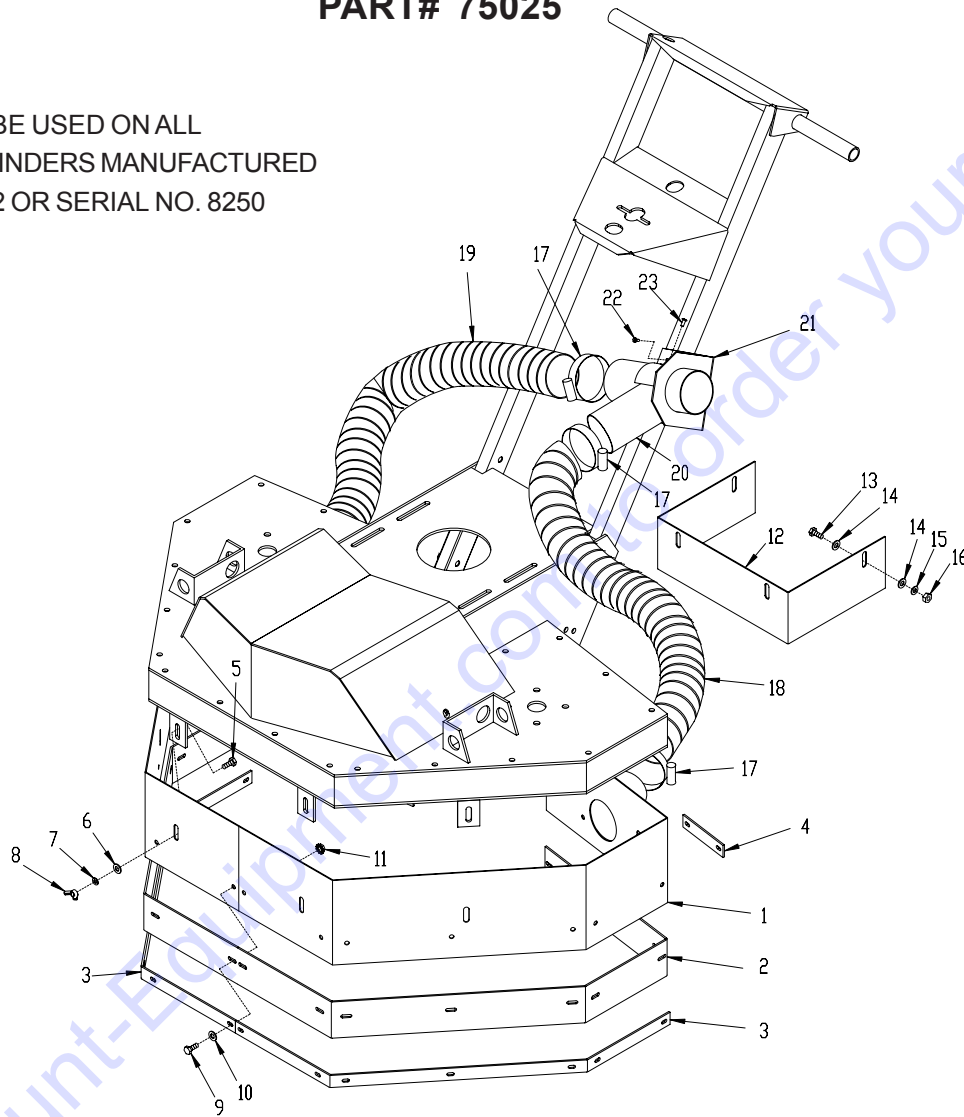


ITEM#	PART#	DESCRIPTION	QTY.
1	77001	SKIRT GUARD	1
2	77141	RUBBER SEAL 2-1/2 x 56	1
3	77143	RETAINING STRIP, RUBBER SEAL	1
4	11676	BOLT, CARRIAGE 1/4-20 X 5/8 GRADE 2	13
5	10602	WASHER, FLAT 1/4 SAE	13
6	10861	NUT, KEPS 1/4-20	13
7	77339	RETAINING BRKT., SKIRT CORNER	2
8	77112	PANEL, VACUUM PORT 2"	1
9	77142	RUBBER SEAL, REAR 2-1/2 x 16	1
10	77144	RETAINING STRIP, REAR SEAL	2
11	10806	SCREW, CAP 5/16-18 X 1	5
12	10801	WASHER, LOCK 5/16	5
13	10213	WASHER, FLAT 5/16 SAE	5
14	10113	SPACER, STL. 9/16ODx3/8IDx7/32	2
15	65021	PLUG, CAP 2" TUBE	1
16	86307	VACUUM PORT BRKT. 2"	1
17	10846	SCREW, CAP STSHW 1/4-20 X 1/2	2
18	10766	CLAMP, HOSE, SAE #28, ADJ. TO 2-1/4	2
19	77113	HOSE, FLEX 2"ID X 34"L	1



SKIRT KIT W/ RUBBER SEALS AND REMOTE VACUUM PORT FOR FOUR DISC GRINDERS* PART# 75025

*NOTE:
THIS KIT CAN BE USED ON ALL
MODEL 411 GRINDERS MANUFACTURED
PRIOR TO 2002 OR SERIAL NO. 8250



ITEM#	PART#	DESCRIPTION	QTY.	ITEM#	PART#	DESCRIPTION	QTY.
1	75009	SKIRT GUARD	1	12	75011	PANEL, CENTER SKIRT	1
2	75014	RUBBER SKIRT 3 X 94-3/4 (RUBBER PIECES BACK TO BACK)	2	13	10053	SCREW, CAP 5/16-18 X 3/4	4
3	75015	RETAINER, RUBBER SKIRT 34-1/4"LOA	2	14	10213	WASHER, FLAT 5/16	8
4	75016	RETAINER, RUBBER SKIRT 4-1/2"L	4	15	10801	WASHER, LOCK 5/16	4
5	10819	BOLT, CARRIAGE 5/16-18 X 1	8	16	10054	NUT 5/16-18	4
6	10213	WASHER, FLAT 5/16	8	17	10849	CLAMP, HOSE, SAE #52, ADJ. TO 3-3/4	4
7	10801	WASHER, LOCK 5/16	8	18	75022	HOSE, FLEX 3"ID X 36"L, ANTI-STATIC	1
8	10902	NUT, WING 5/16-18	8	19	75023	HOSE, FLEX 3"ID X 24"L, ANTI-STATIC	1
9	10018	SCREW, CAP 1/4-20 X 3/4	22	20	75018	FITTING, 3" Y	1
10	10602	WASHER, FLAT 1/4	22	21	75017	MOUNT BRKT., Y-FITTING	1
11	10861	NUT, KEPS 1/4-20	22	22	10877	SCREW, CAP STSHW 10-24 X 1/2	2
				23	12113	RIVET, BLIND 3/16 X .440"L X .375HD	2

PARTS FINDER

**Search Website
by Part Number**



**Search Manual
Library For Parts
Manual & Lookup Part
Numbers – Purchase
or Request Quote**

Search Manuals

Enter your information to help us find the right part for your machine.

* Brand:

* Model:

* Serial:

* Part Number:

SEARCH

**Can't Find Part or
Manual? Request Help
by Manufacturer,
Model & Description**

Parts Order Form

Please fill in the following information to help us find the right part for your machine.

Manufacturer:

Model:

Description:

Part Number:

Quantity:

Price:

Submit

Discount-Equipment.com is your online resource for quality parts & equipment.

Florida: **561-964-4949** Outside Florida TOLL FREE: **877-690-3101**

Need parts?

Click on this link: <http://www.discount-equipment.com/category/5443-parts/> and choose one of the options to help get the right parts and equipment you are looking for. Please have the machine model and serial number available in order to help us get you the correct parts. If you don't find the part on the website or on one of the online manuals, please fill out the request form and one of our experienced staff members will get back to you with a quote for the right part that your machine needs.

We sell worldwide for the brands: Genie, Terex, JLG, MultiQuip, Mikasa, Essick, Whiteman, Mayco, Toro Stone, Diamond Products, Generac Magnum, Airman, Haulotte, Barreto, Power Blanket, Nifty Lift, Atlas Copco, Chicago Pneumatic, Allmand, Miller Curber, Skyjack, Lull, Skytrak, Tsurumi, Husquvarna Target, Stow, Wacker, Sakai, Mi-T-M, Sullair, Basic, Dynapac, MBW, Weber, Bartell, Bennar Newman, Haulotte, Ditch Runner, Menegotti, Morrison, Contec, Buddy, Crown, Edco, Wyco, Bomag, Laymor, EZ Trench, Bil-Jax, F.S. Curtis, Gehl Pavers, Heli, Honda, ICS/PowerGrit, IHI, Partner, Imer, Clipper, MMD, Koshin, Rice, CH&E, General Equipment, Amida, Coleman, NAC, Gradall, Square Shooter, Kent, Stanley, Tamco, Toku, Hatz, Kohler, Robin, Wisconsin, Northrock, Oztec, Toker TK, Rol-Air, APT, Wylie, Ingersoll Rand / Doosan, Innovatech, Con X, Ammann, Mecalac, Makinex, Smith Surface Prep, Small Line, Wanco, Yanmar