



QP-3TH Pump Starting Instructions



The following instructions are intended to assist the user in starting the QP-3TH Pump. Please read the entire instructions before starting.

Before Starting

- Place pump as near to water as possible, on a firm flat, level surface.
- To prime pump, remove fill cap and fill pump casing with water. If the pump casing is not filled with water before starting, it will not begin pumping.

WARNING

DO NOT open *fill cap* if pump is **hot!** Water inside may be under pressure.

- Check for **leaks** between pump and engine.
- Check that all hoses are **securely** attached to the pump.
- Check that the **discharge** hose is not restricted.
- Make sure the **suction strainer** is clean and securely attached to the water end of the suction hose.

CAUTION

- NEVER!** operate the pump without water in the casing as this will cause damage to the mechanical seal.
- The strainer should be positioned so it will remain completely **under water**. Running the pump with the strainer above water for long periods can damage the pump.

DANGER

DO NOT pump flammable fluids, corrosive chemicals or fluids containing toxic substances. These fluids can create potentially dangerous health and environmental hazards. Contact local authorities for assistance.

Starting the Engine

- Place the engine **fuel valve lever** (Figure 1) to the "ON" position.

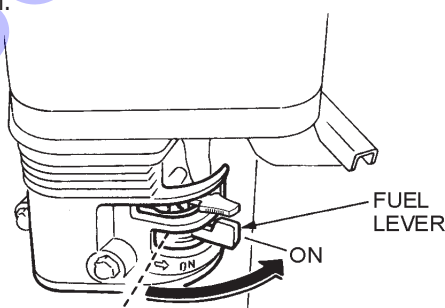


Figure 1. Engine Fuel Valve Lever (ON Position)

- Move the **throttle lever** (Figure 2) away from the slow position, about 1/3 of the way toward the fast position.

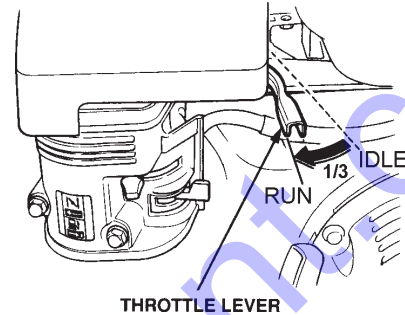


Figure 2. Throttle Lever (1/3 Start Position)

- Place the **choke lever** (Figure 3) in the "OPEN" position if starting a **cold** engine.

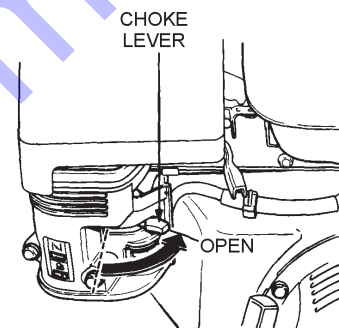


Figure 3. Engine Choke Lever (Open)

- Place the **choke lever** (Figure 4) in the "CLOSED" position if starting a **warm engine** or the **temperature is warm**.

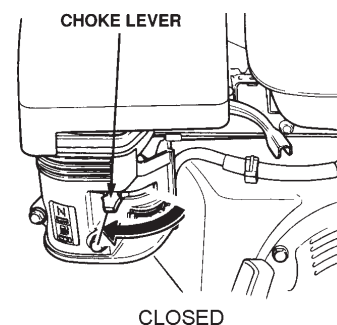


Figure 4. Engine Choke Lever (Closed)

- Place the **engine ON/OFF switch** (Figure 5) in the "ON" position.

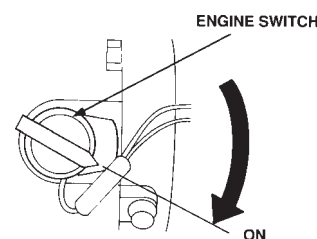


Figure 5. Engine ON/OFF Switch (ON Position)

- Grasp the starter grip (Figure 6) and slowly pull it out. The resistance becomes the hardest at a certain position, corresponding to the compression point. Pull the starter grip briskly and smoothly for starting.

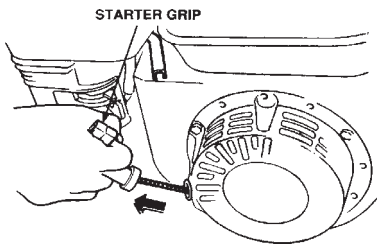


Figure 6. Starter Grip

- If the engine has started, slowly return the choke lever (Figure 7) to the **CLOSED** position. If the engine has not started repeat steps 1 through 6.

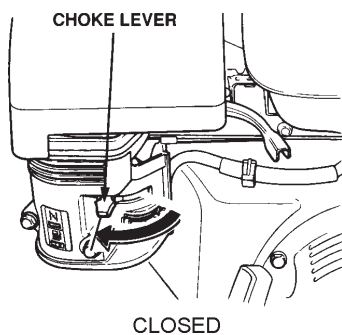


Figure 7. Choke Lever (Closed)

- Before the pump is placed into operation, run the engine for several minutes. Check for fuel leaks, and noises that would associate with a lose component.
- To begin pumping, place the throttle lever (Figure 8) in the **"RUN"** position.

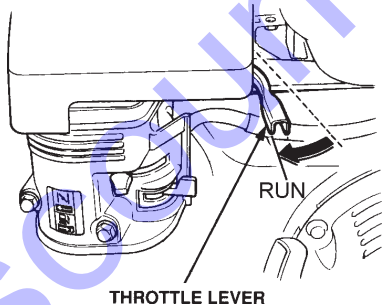


Figure 8. Throttle Lever (Run)

CAUTION

ALWAYS run engine at **full speed** while pumping.

Stopping The Engine

Normal Shutdown

- Move the throttle lever to the **IDLE** position (Figure 9) and run the engine for three minutes at low speed.

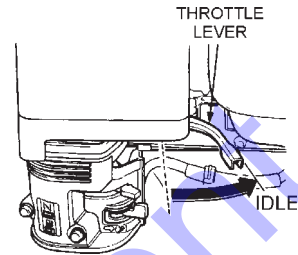


Figure 9. Throttle Lever (Idle)

- After the engine **cools**, turn the engine ON/OFF switch to the **"OFF"** position (Figure 10).

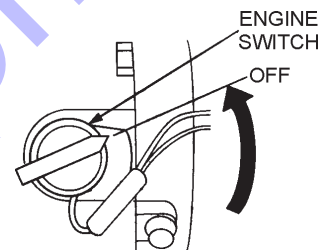


Figure 10. Engine ON/OFF Switch (OFF)

- Place the **fuel shut-off lever** (Figure 11) in the **OFF** position.

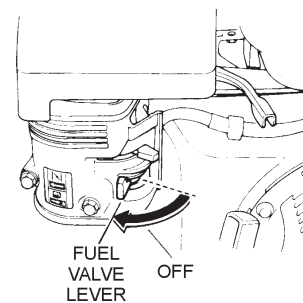


Figure 11. Fuel Valve Lever (OFF)

Emergency Showdown

- Move the throttle lever quickly to the **IDLE** position, and place the engine ON/OFF switch in the **OFF** position.