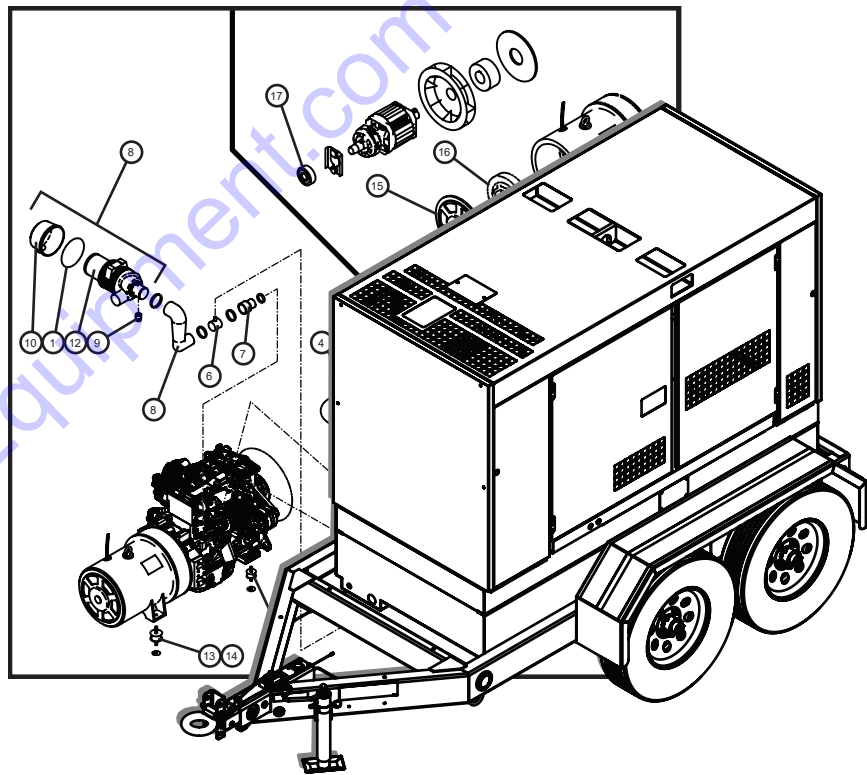


Allmand™

Brighter. Warmer. Safer.

en Parts Manual
MAXI-POWER® 65



**Portable
Industrial
Heaters**

**Portable
Light Towers**

**Portable
Light Stands**

**Solar Flashing
Arrow Boards**

Copyright © 2021 Briggs & Stratton
Milwaukee, WI, USA. All rights reserved.

Part No.: 112160
Revision: B
Serial No.: 24-000001 to 24-000499

Reliability, Performance, and Integrity Since 1938



www.discount-equipment.com

PARTS FINDER

**Search Website
by Part Number**



**Search Manual
Library For Parts
Manual & Lookup Part
Numbers – Purchase
or Request Quote**

Search Manuals

Enter your information to help us find the right parts manual for your machine.

* Brand:

* Model:

* Serial:

* Part Number:

SEARCH

**Can't Find Part or
Manual? Request Help
by Manufacturer,
Model & Description**

Parts Order Form

Please fill in the following information to help us find the right part for your machine.

Manufacturer:	<input type="text"/>
Model:	<input type="text"/>
Description:	<input type="text"/>
Part Number:	<input type="text"/>
Quantity:	<input type="text"/>
Notes:	<input type="text"/>

Submit

Discount-Equipment.com is your online resource for quality parts & equipment.

Florida: **561-964-4949** Outside Florida TOLL FREE: **877-690-3101**

Need parts?

Click on this link: <http://www.discount-equipment.com/category/5443-parts/> and choose one of the options to help get the right parts and equipment you are looking for. Please have the machine model and serial number available in order to help us get you the correct parts. If you don't find the part on the website or on one of the online manuals, please fill out the request form and one of our experienced staff members will get back to you with a quote for the right part that your machine needs.

We sell worldwide for the brands: Genie, Terex, JLG, MultiQuip, Mikasa, Essick, Whiteman, Mayco, Toro Stone, Diamond Products, Generac Magnum, Airman, Haulotte, Barreto, Power Blanket, Nifty Lift, Atlas Copco, Chicago Pneumatic, Allmand, Miller Curber, Skyjack, Lull, Skytrak, Tsurumi, Husquvarna Target, Stow, Wacker, Sakai, Mi-T-M, Sullair, Basic, Dynapac, MBW, Weber, Bartell, Bennar Newman, Haulotte, Ditch Runner, Menegotti, Morrison, Contec, Buddy, Crown, Edco, Wyco, Bomag, Laymor, EZ Trench, Bil-Jax, F.S. Curtis, Gehl Pavers, Heli, Honda, ICS/PowerGrit, IHI, Partner, Imer, Clipper, MMD, Koshin, Rice, CH&E, General Equipment, Amida, Coleman, NAC, Gradall, Square Shooter, Kent, Stanley, Tamco, Toku, Hatz, Kohler, Robin, Wisconsin, Northrock, Oztec, Toker TK, Rol-Air, APT, Wylie, Ingersoll Rand / Doosan, Innovatech, Con X, Ammann, Mecalac, Makinex, Smith Surface Prep, Small Line, Wanco, Yanmar

TABLE OF CONTENTS

1.0 TRAILER PARTS GROUP

Trailer Axle, Jack, and Coupler	(1.1)
Trailer Base Parts	(1.2)
Step Plate	(1.3)

2.0 ENGINE AND COMPRESSOR GROUP

Engine Cooling and Exhaust Group	(2.1)
T3 Engine Air Intake and Generator Group	(2.2)
iT4 Engine Air Intake and Generator Group	(2.3)
Fuel Tank and Filters Group	(2.4)

3.0 ELECTRICAL GROUP

Control Box Electrical Group	(3.1)
Outlet Panel and Engine Electrical Group	(3.2)
Tail Lights and Tail Light Harness	(3.3)
Cam Lock Group	(3.4)
JV Cam Lock Group	(3.5)
Arctic Package	(3.6)
JV Arctic Package	(3.7)

4.0 DECALS

Left and Front Side Branding Decals	(4.1)
Right and Rear Side Branding Decals	(4.2)
Cam Lock and Arctic Package Decals	(4.3)

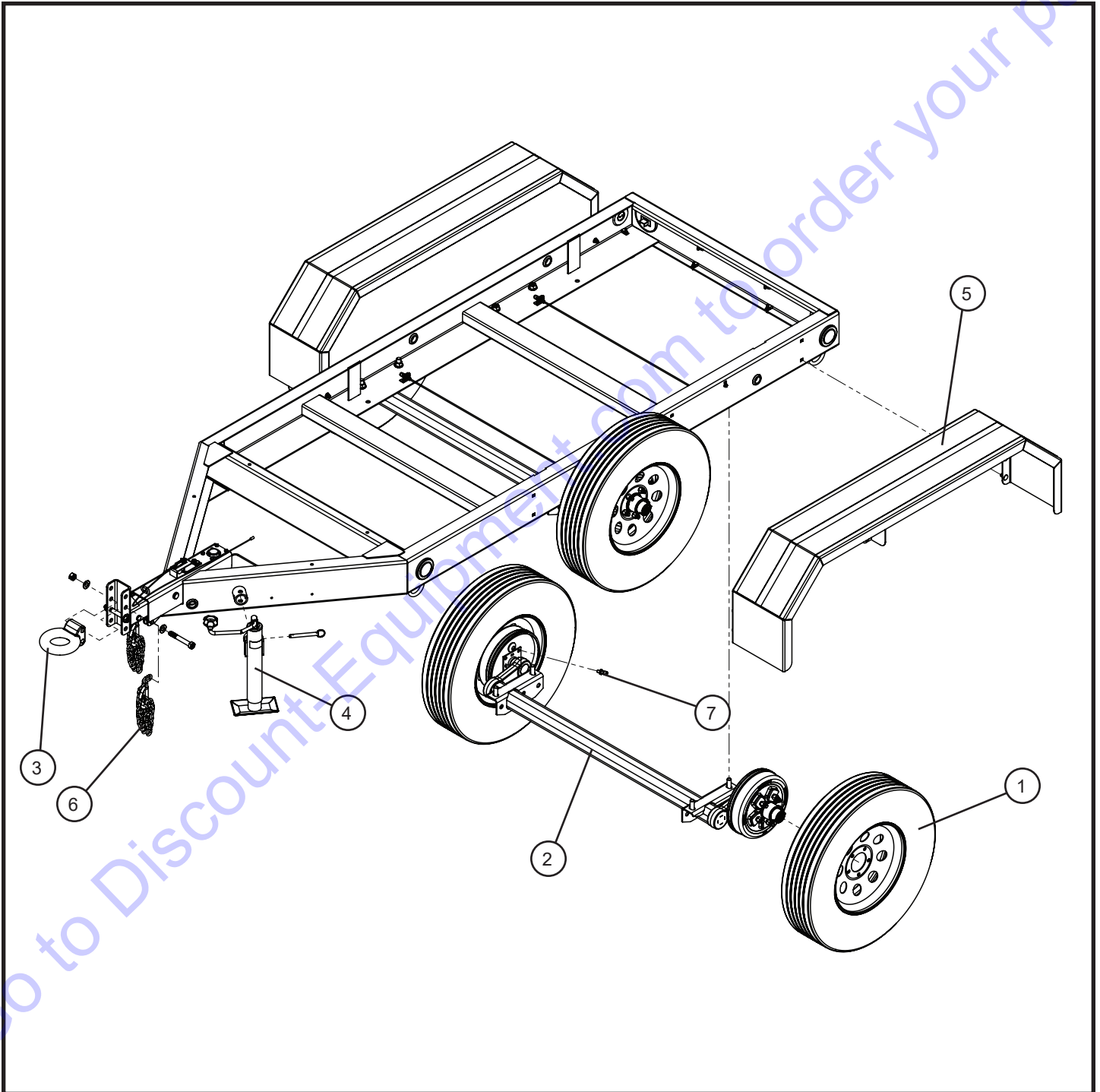
Maxi-Power 65

Go to Discount-Equipment.com to order your parts

PAGE LEFT BLANK
INTENTIONALLY

1.1 - Trailer Axle, Jack, and Coupler

SN 24-000001 to 24-000499



Maxi-Power 65

1.1 - Trailer Axle, Jack, and Coupler

SN 24-000001 to 24-000499

Item	Allmand No.	Hokuetsu No.	Part Description	Qty.
1	113444	n/a	WHEEL W/ TIRE ASSEMBLY, 2150 LB CAPACITY	4
2	113447	n/a	3.5K TORSION AXLE (INCLUDES HARDWARE)	2
3	113449	n/a	3" CHANNEL MOUNT TOW RING	1
4	113450	n/a	TUBE MOUNT 3K TOP WIND JACK	1
5	113456	n/a	MP 40/45/65 FENDER (INCLUDES HARDWARE AND GRIP TAPE)	2
	113459	n/a	MP 40/45/65 FENDER GRIP TAPE KIT	2
6	113463	n/a	MP 40/45/65 SAFETY TOW CHAINS	2
7	113466	n/a	MP 40/45/65 RUBBER BRAKE HOSE W/ END FITTINGS (NOT COMPLETELY SHOWN)	1
NS	113461	n/a	MASTER CYLINDER BRAKE ACTUATOR	1
NS	113482	n/a	MP 40/45/65 STEEL BRAKE LINE KIT	1

Maxi-Power 65

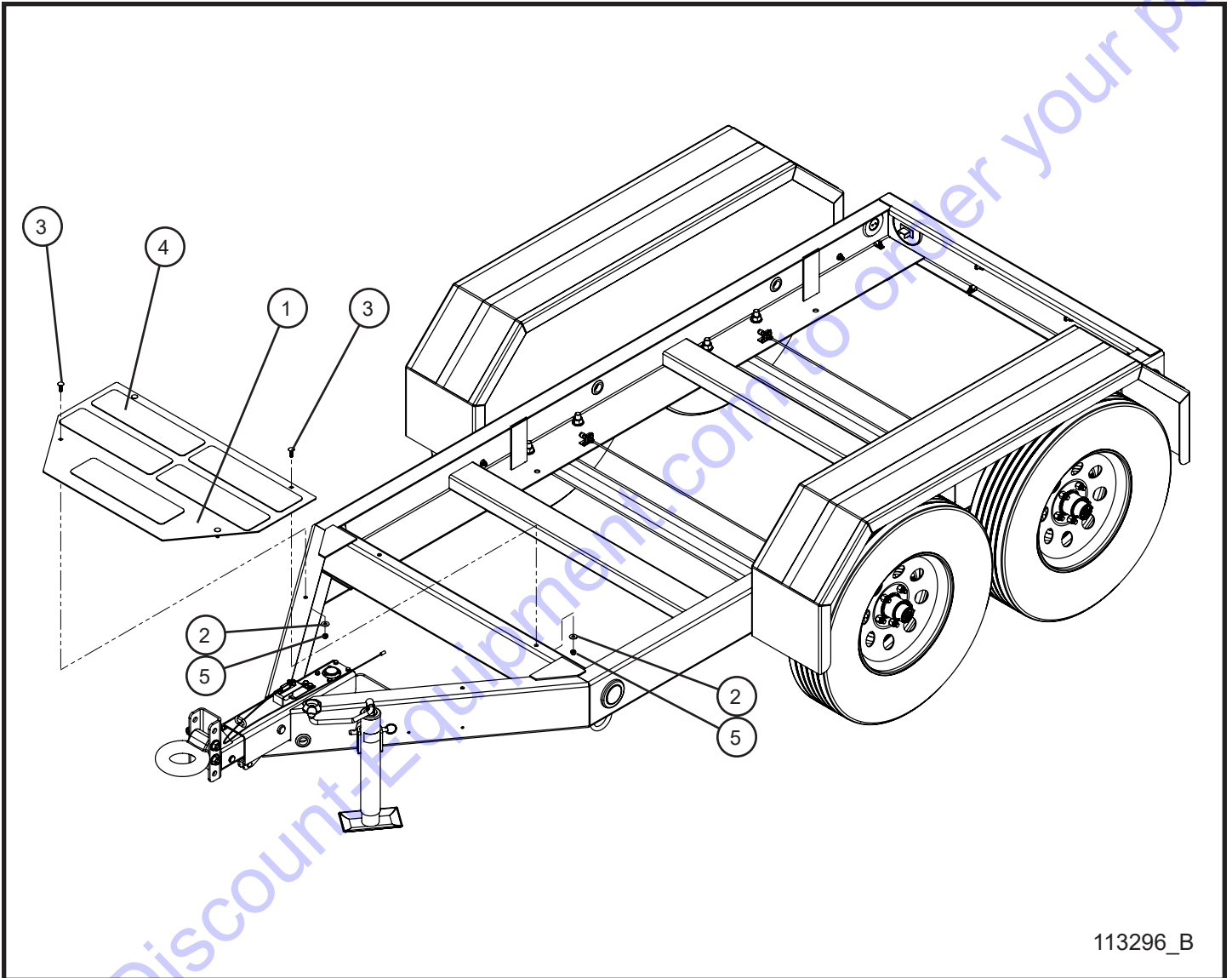
1.2 - Trailer Base Parts

SN 24-000001 to 24-000499

Item	Allmand No.	Hokuetsu No.	Part Description	Qty.
1	110717	52100 68820	RIGHT SIDE FRONT COVER MP 45/65	1
	112077	52100 20131	RIGHT SIDE FRONT COVER MP 65 iT4	1
2	110751	52100 69120	LEFT SIDE FRONT COVER MP 45/65	1
3	110720	52830 41100	FRONT COVER MP 45/65	1
	112078	52830 49500	FRONT COVER MP 65 iT4	1
4	110848	52100 68220	RIGHT SIDE REAR COVER MP 45/65	1
	112082	52100 20431	RIGHT SIDE REAR COVER MP 65 iT4	1
5	110847	52100 68320	LEFT SIDE REAR COVER MP 45/65	1
	112083	52100 20530	LEFT SIDE REAR COVER MP 65 iT4	1
6	n/a	52100 69020	REAR COVER	1
7	n/a	52300 05520	TOP COVER MP 45/65	1
	112080	52300 44622	TOP COVER MP 65 iT4	1
8	110472	52350 89010	TOP FRONT COVER	1
9	110790	52450 05232	RIGHT SIDE FRONT DOOR	1
10	110527	52450 05032	RIGHT SIDE REAR DOOR MAXI-POWER 65	1
11	110636	52450 05132	LEFT SIDE FRONT DOOR MAXI-POWER 65	1
12	110499	52710 03601	LATCH ASSEMBLY	4
13	110603	52450 04832	LEFT SIDE REAR DOOR MP 45/65	1
	112085	52450 47831	LEFT SIDE REAR DOOR MP 65 iT4	1
14	110725	52450 04930	REAR DOOR	1
15	110693	52416 19800	REAR DOOR WINDOW GLASS	1
16	110538	52350 41920	ARCTIC OUTLETS COVER	1
17	110681	52230 44800	EMERGENCY STOP COVER	1

1.3 - Step Plate

SN 24-000001 to 24-000499



Maxi-Power 65

1.3 - Step Plate

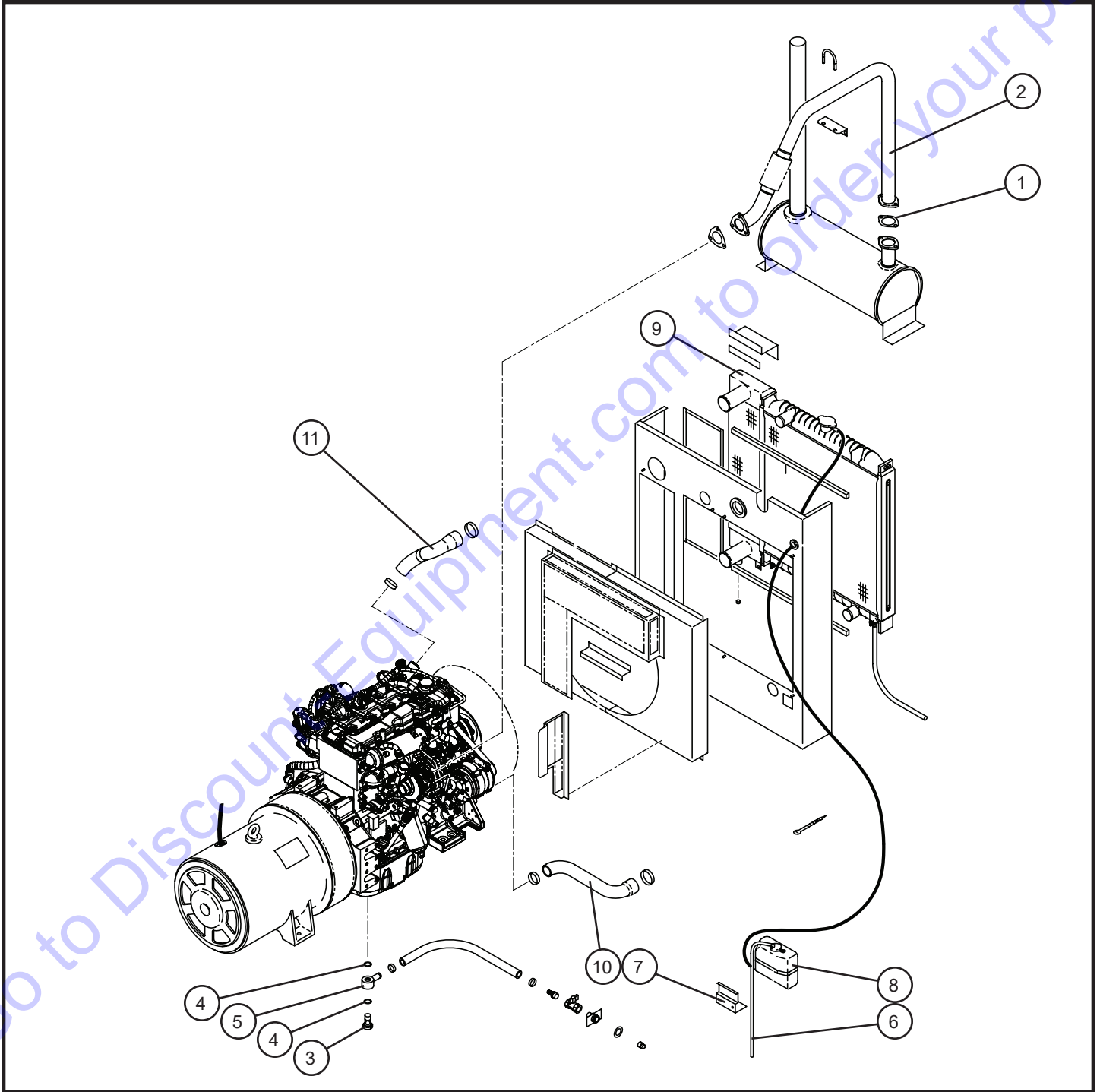
SN 24-000001 to 24-000499

Item	Allmand No.	Hokuetsu No.	Part Description	Qty.
1	113257P	n/a	STEP PLATE MAXI-POWER 40-65	1
2	047010	n/a	5/16 FLAT WASHER	4
3	053020	n/a	5/16-18 x 1 CARRIAGE BOLT	4
4	062006	n/a	DIE CUT ANTI SKID TAPE	5
5	044033	n/a	5/16-18 NYLOCK HEX NUT	4

Go to Discount-Equipment.com to order your parts

2.1 - Engine Cooling and Exhaust Group

SN 24-000001 to 24-000499



Maxi-Power 65

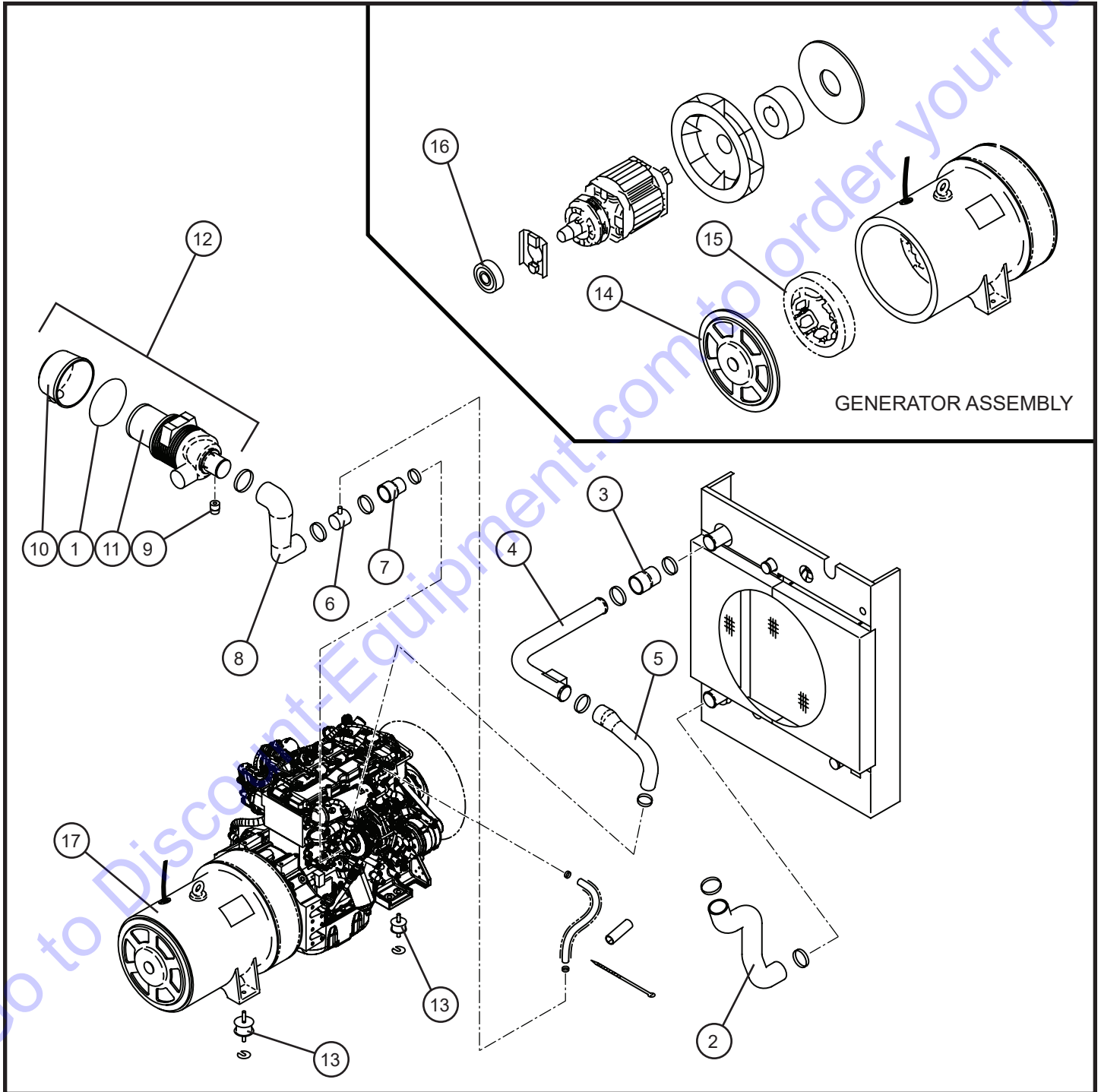
2.1 - Engine Cooling and Exhaust Group

SN 24-000001 to 24-000499

Item	Allmand No.	Hokuetsu No.	Part Description	Qty.
1	110719	42324 13600	GASKET	1
2	110713	42310 92400	PIPE, EXHAUST	1
3	110703	43532 05500	NIPPLE (BOLT)	1
4	110701	03407 16024	GASKET	2
5	110702	43534 02102	RING CONNECTOR	1
6	110707	38594 05100	HOSE	1
7	110705	38591 00800	BRACKET	1
8	110706	38590 01200	RESERVE TANK ASSEMBLY	1
9	110708	38920 02900	INTER COOLER	1
10	111664	38524 68300	HOSE	1
	110704	38524 67800	HOSE	1
11	110700	38524 68200	HOSE	1

2.2 - T3 Engine Air Intake and Generator Group

SN 24-000001 to 24-000499



Maxi-Power 65

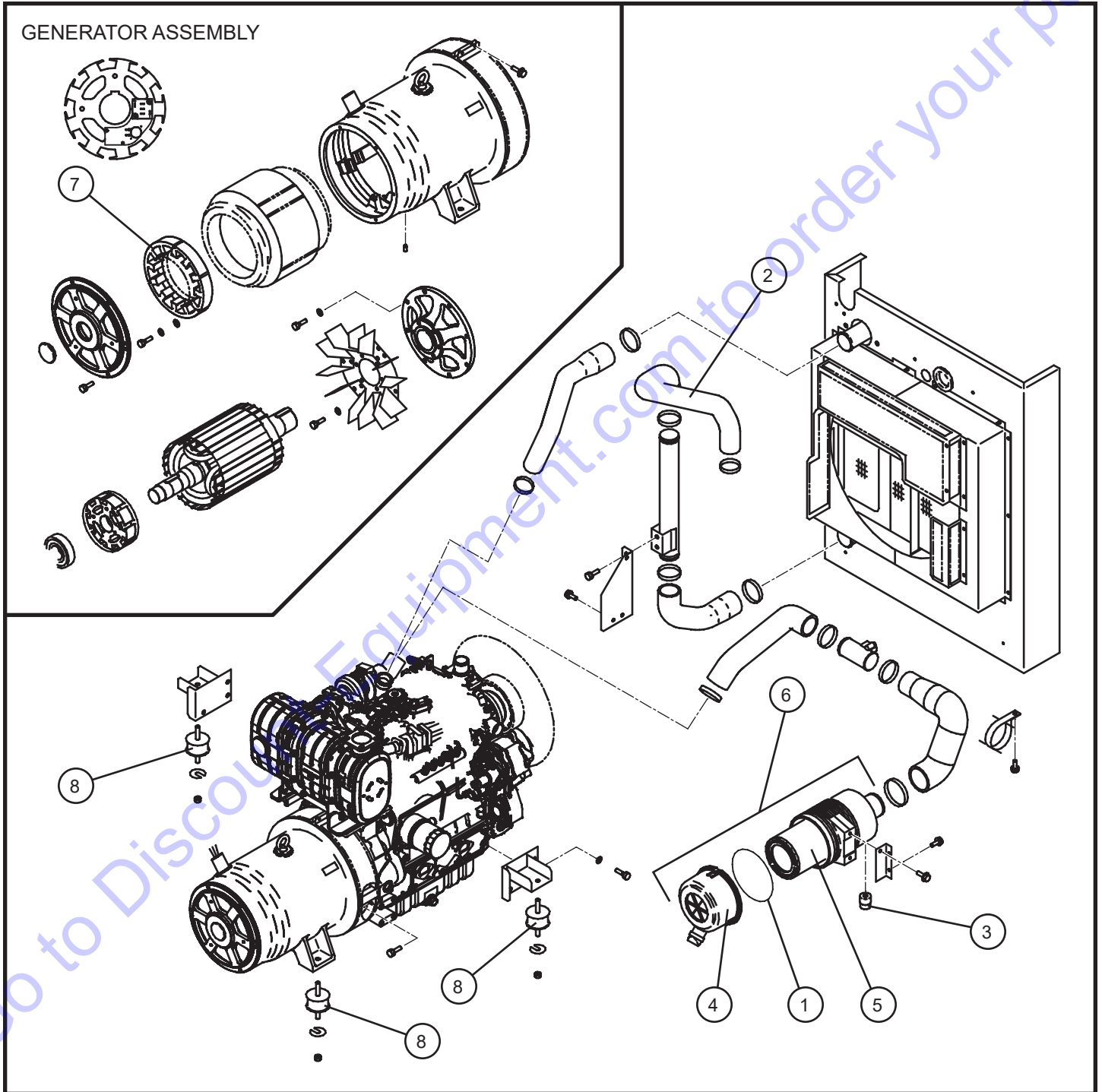
2.2 - T3 Engine Air Intake and Generator Group

SN 24-000001 to 24-000499

Item	Allmand No.	Hokuetsu No.	Part Description	Qty.
1	110738	32147 03600	O-RING	1
2	110748	32331 73601	HOSE	1
3	110747	32332 08102	HOSE	1
4	110745	32320 67900	PIPE	1
5	110744	32331 73302	HOSE	1
6	110743	32320 67800	PIPE	1
7	110742	32331 73500	HOSE	1
8	110741	32331 73401	HOSE	1
9	110740	32148 03000	FILTER, SERVICE INDICATOR	1
10	110734	32142 11300	CUP	1
11	110739	32143 11800	ELEMENT	1
12	110736	32100 44900	AIR FILTER ASSEMBLY	1
	110735	32100 40901	AIR FILTER ASSEMBLY	1
13	110759	31130 28200	VIBRATION ISOLATOR ASSEMBLY	2
	110758	31130 10900	VIBRATION ISOLATOR ASSEMBLY	2
14	110727	25310 09700	MAXI-AIR 65 CASING	1
15	110731	25700 07700	MAXI-AIR 65 EX.STATOR ASSY	1
16	110723	21472 15100	MAXI-AIR 65 BEARING (6311ZZ)	1
17	110753	20003 61600	MAXI-AIR 65 GENERATOR	1

2.3 - iT4 Engine Air Intake and Generator Group

SN 24-000001 to 24-000499



Maxi-Power 65

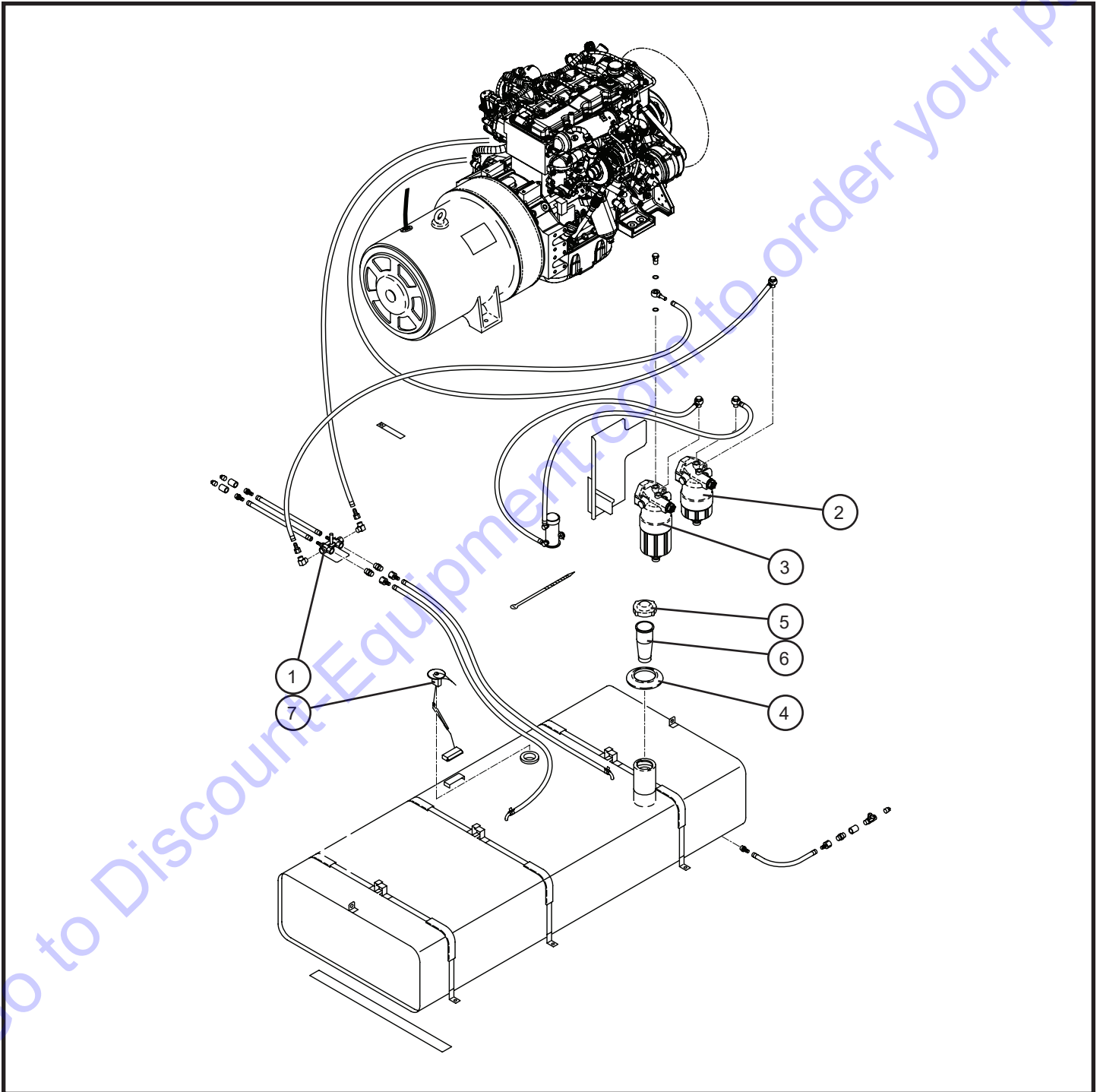
2.3 - iT4 Engine Air Intake and Generator Group

SN 24-000001 to 24-000499

Item	Allmand No.	Hokuetsu No.	Part Description	Qty.
1	110738	32147 03600	O-RING	1
2	111724	32331 86002	HOSE	1
3	110740	32148 03000	FILTER, SERVICE INDICATOR	1
4	110734	32142 11300	CUP	1
5	110739	32143 11800	ELEMENT	1
6	110736	32100 44900	AIR FILTER ASSEMBLY	1
7	111719	25700 08900	MAXI-POWER 65 iT4 EX. STATOR ASSY	1
8	110759	31130 28200	VIBRATION ISOLATOR ASSEMBLY	4

2.4 - T3 Fuel Tank and Filters Group

SN 24-000001 to 24-000499



Maxi-Power 65

2.4 - T3 Fuel Tank and Filters Group

SN 24-000001 to 24-000499

Item	Allmand No.	Hokuetsu No.	Part Description	Qty.
1	110686	35483 10101	STOP VALVE	1
2	110694	43540 07700	FILTER ASSEMBLY	1
3	110692	43540 07600	FILTER ASSEMBLY	1
4	110689	43440 04600	COVER	1
5	110691	43220 01300	CAP	1
6	110690	43210 01301	STRAINER	1
7	110688	36159 03000	SENDING UNIT	1

Go to Discount-Equipment.com to order your parts

Maxi-Power 65

2.5 - iT4 Fuel Tank and Filters Group

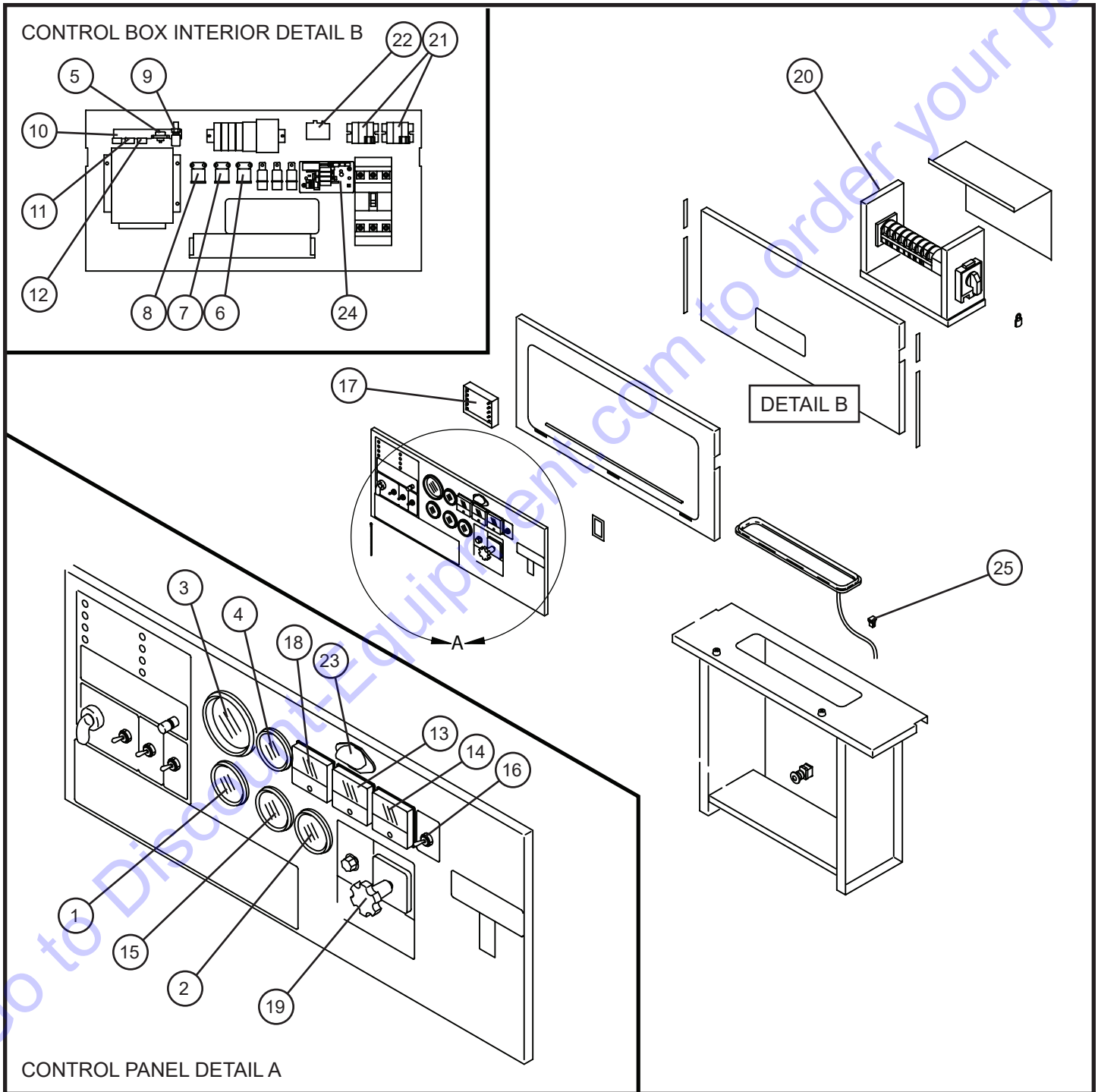
SN 24-000001 to 24-000499

Item	Allmand No.	Hokuetsu No.	Part Description	Qty.
1	110686	35483 10101	STOP VALVE	1
2	111714	43310 32900	BELT	2
3	110691	43220 01300	CAP	1
4	110690	43210 01301	STRAINER	1
5	110688	36159 03000	SENDING UNIT	1

Go to Discount-Equipment.com to order your parts

3.1 - Control Box Electrical Group

SN 24-000001 to 24-000499



Maxi-Power 65

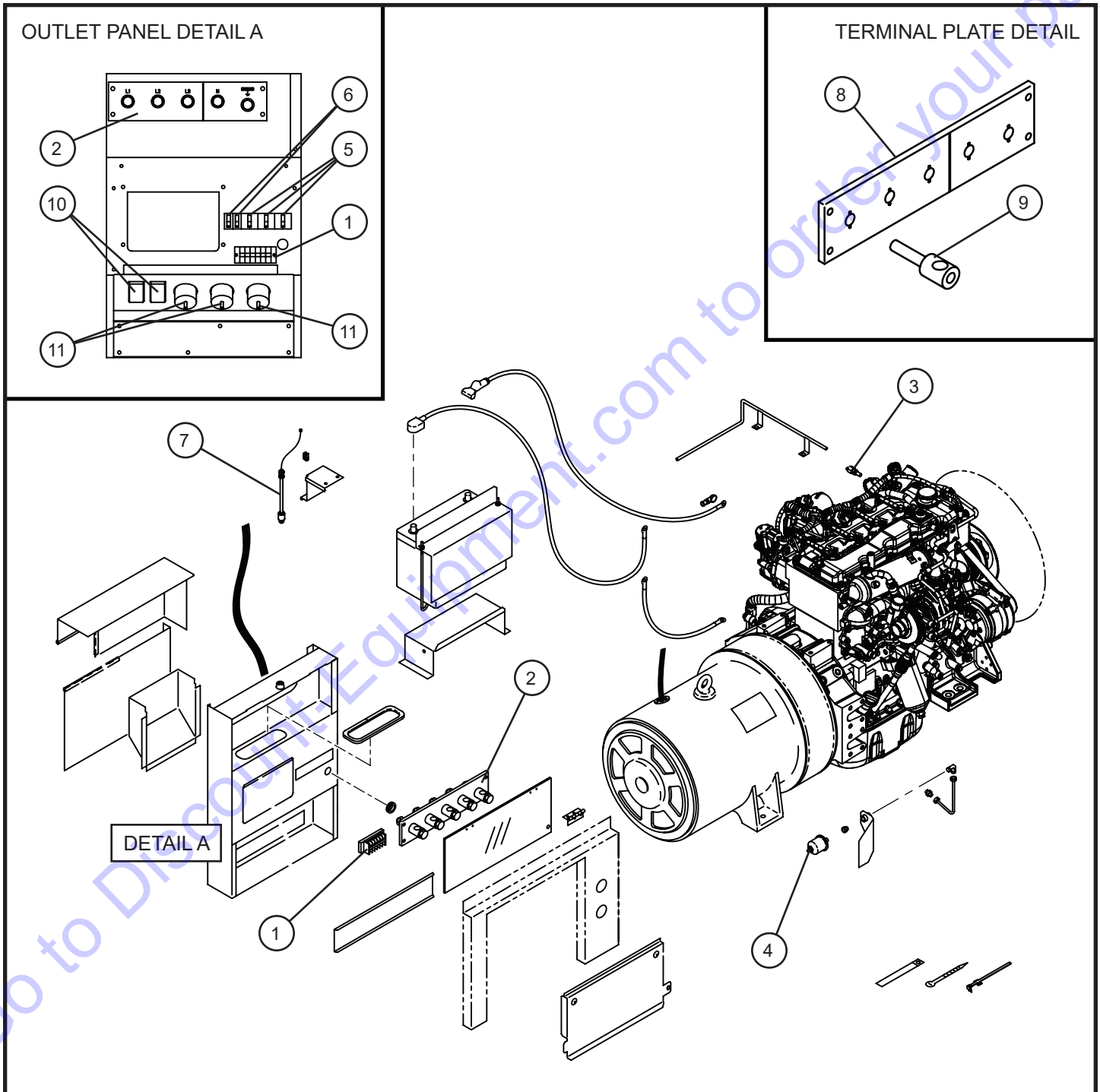
3.1 - Control Box Electrical Group

SN 24-000001 to 24-000499

Item	Allmand No.	Hokuetsu No.	Part Description	Qty.
1	110646	36143 03600	GAUGE, OIL PRESSURE	1
2	110647	36145 06800	THERMOMETER, WATER	1
3	110475	36146 05901	TACHOMETER	1
4	110476	36158 00500	FUEL GAUGE	1
5	110664	44328 21500	PRESSURE SWITCH	1
6	110675	44346 13200	RELAY (CHARGE)	1
7	110674	44346 15700	RELAY (GLOW)	1
8	110673	44346 16100	RELAY (STARTER)	1
9	110669	44364 06600	THERMO SENSOR	1
10	110662	44470 01600	FUSE BOX	1
	110930	46934 03200	FUSE (10A)	1
11	110660	44470 01700	FUSE BOX	1
	110900	46934 03300	FUSE (20A)	1
12	110658	44470 01900	FUSE BOX	1
	110954	46934 04400	FUSE (FUSE 15A)	1
13	110643	46153 04000	VOLTMETER (AC)	1
14	110642	46154 14400	AMMETER (AC)	1
	110644	46154 14500	AMMETER (AC)	1
15	110648	46154 15300	AMMETER	1
16	110645	46167 02400	SELECT SWITCH	1
17	110541	46870 47901	CONTROLLER	1
18	110641	46911 01400	FREQUENCY METER	1
19	110649	46913 01000	TRANSFER DEVICE	1
20	110657	46917 00900	CHANGE DEVICE,	1
	110986	46917 01200	CHANGE DEVICE,	1
21	110985	46923 02700	CURRENT TRANSFORMER	2
	110684	46923 04500	CURRENT TRANSFORMER	2
22	110682	46928 01500	THERMAL RELAY	1
	110683	46921 08600	SILICON RECTIFIER	1
23	110448	46929 01200	ILLUMINATOR	1
	110929	46939 01300	BULB, ILLUMINATER	1
24	110679	46950 02600	A.V.R. ASSEMBLY	1
25	110714	44470 02300	FUSE BOX (60A)	1
NS	110515	02201 08020	FLANGE BOLT	8

3.2 - Outlet Panel and Engine Electrical Group

SN 24-000001 to 24-000499



Maxi-Power 65

3.2 - Outlet Panel and Engine Electrical Group

SN 24-000001 to 24-000499

Item	Allmand No.	Hokuetsu No.	Part Description	Qty.
1	110656	44311 65600	TERMINAL PLATE	1
2	110655	44311 66300	TERMINAL PLATE	1
3	110671	44334 17600	THERMO SWITCH	1
4	110672	44365 00300	OIL PRESSURE SENDER	1
5	110652	46120 26900	CIRCUIT BREAKER	3
	110653	46120 34000	CIRCUIT BREAKER	3
6	110650	46120 26800	CIRCUIT BREAKER	2
	110651	46120 34100	CIRCUIT BREAKER	2
7	110654	46813 08100	LEVEL SWITCH	1
8	n/a	46305 09300	PLATE	1
9	n/a	46312 05100	BOLT	5
	112075	35208 04500	BOLT	5
	112076	02912 03014	NUT	10
10	110469	44312 02900	SOCKET	2
11	110468	44312 02800	SOCKET	2
NS	110515	02201 08020	FLANGE BOLT	8

PARTS FINDER

**Search Website
by Part Number**



**Search Manual
Library For Parts
Manual & Lookup Part
Numbers – Purchase
or Request Quote**

Search Manuals

Enter your information to help us find the right parts manual for your machine.

* Brand:

* Model:

* Serial:

* Part Number:

SEARCH

**Can't Find Part or
Manual? Request Help
by Manufacturer,
Model & Description**

Parts Order Form

Please fill in the following information to help us find the right part for your machine.

Manufacturer:	<input type="text"/>
Model:	<input type="text"/>
Description:	<input type="text"/>
Part Number:	<input type="text"/>
Quantity:	<input type="text"/>
Notes:	<input type="text"/>

Submit

Discount-Equipment.com is your online resource for quality parts & equipment.

Florida: **561-964-4949** Outside Florida TOLL FREE: **877-690-3101**

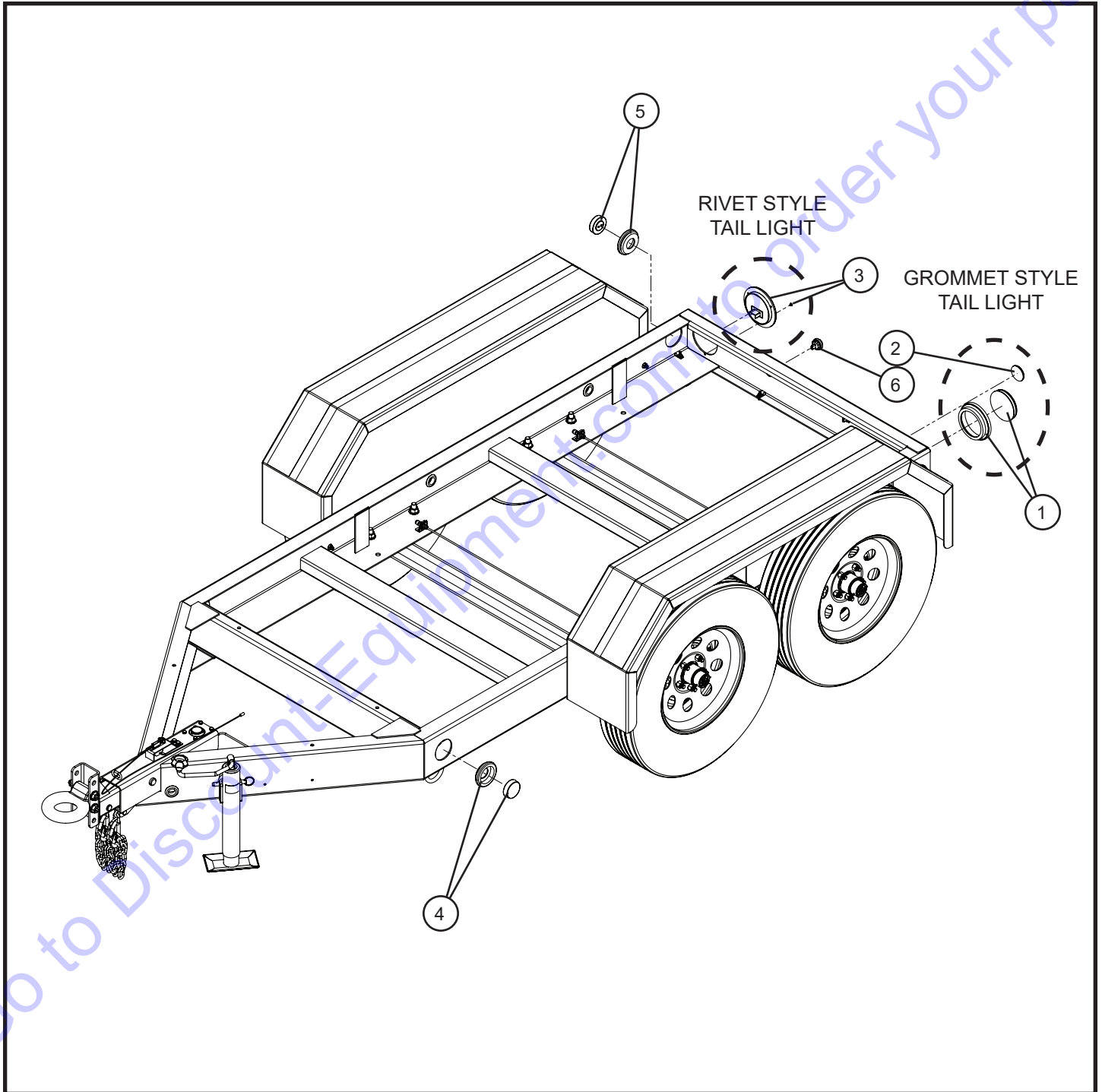
Need parts?

Click on this link: <http://www.discount-equipment.com/category/5443-parts/> and choose one of the options to help get the right parts and equipment you are looking for. Please have the machine model and serial number available in order to help us get you the correct parts. If you don't find the part on the website or on one of the online manuals, please fill out the request form and one of our experienced staff members will get back to you with a quote for the right part that your machine needs.

We sell worldwide for the brands: Genie, Terex, JLG, MultiQuip, Mikasa, Essick, Whiteman, Mayco, Toro Stone, Diamond Products, Generac Magnum, Airman, Haulotte, Barreto, Power Blanket, Nifty Lift, Atlas Copco, Chicago Pneumatic, Allmand, Miller Curber, Skyjack, Lull, Skytrak, Tsurumi, Husquvarna Target, Stow, Wacker, Sakai, Mi-T-M, Sullair, Basic, Dynapac, MBW, Weber, Bartell, Bennar Newman, Haulotte, Ditch Runner, Menegotti, Morrison, Contec, Buddy, Crown, Edco, Wyco, Bomag, Laymor, EZ Trench, Bil-Jax, F.S. Curtis, Gehl Pavers, Heli, Honda, ICS/PowerGrit, IHI, Partner, Imer, Clipper, MMD, Koshin, Rice, CH&E, General Equipment, Amida, Coleman, NAC, Gradall, Square Shooter, Kent, Stanley, Tamco, Toku, Hatz, Kohler, Robin, Wisconsin, Northrock, Oztec, Toker TK, Rol-Air, APT, Wylie, Ingersoll Rand / Doosan, Innovatech, Con X, Ammann, Mecalac, Makinex, Smith Surface Prep, Small Line, Wanco, Yanmar

3.3 - Tail Lights and Tail Light Harness

SN 24-000001 to 24-000499



Maxi-Power 65

3.3 - Tail Lights and Tail Light Harness

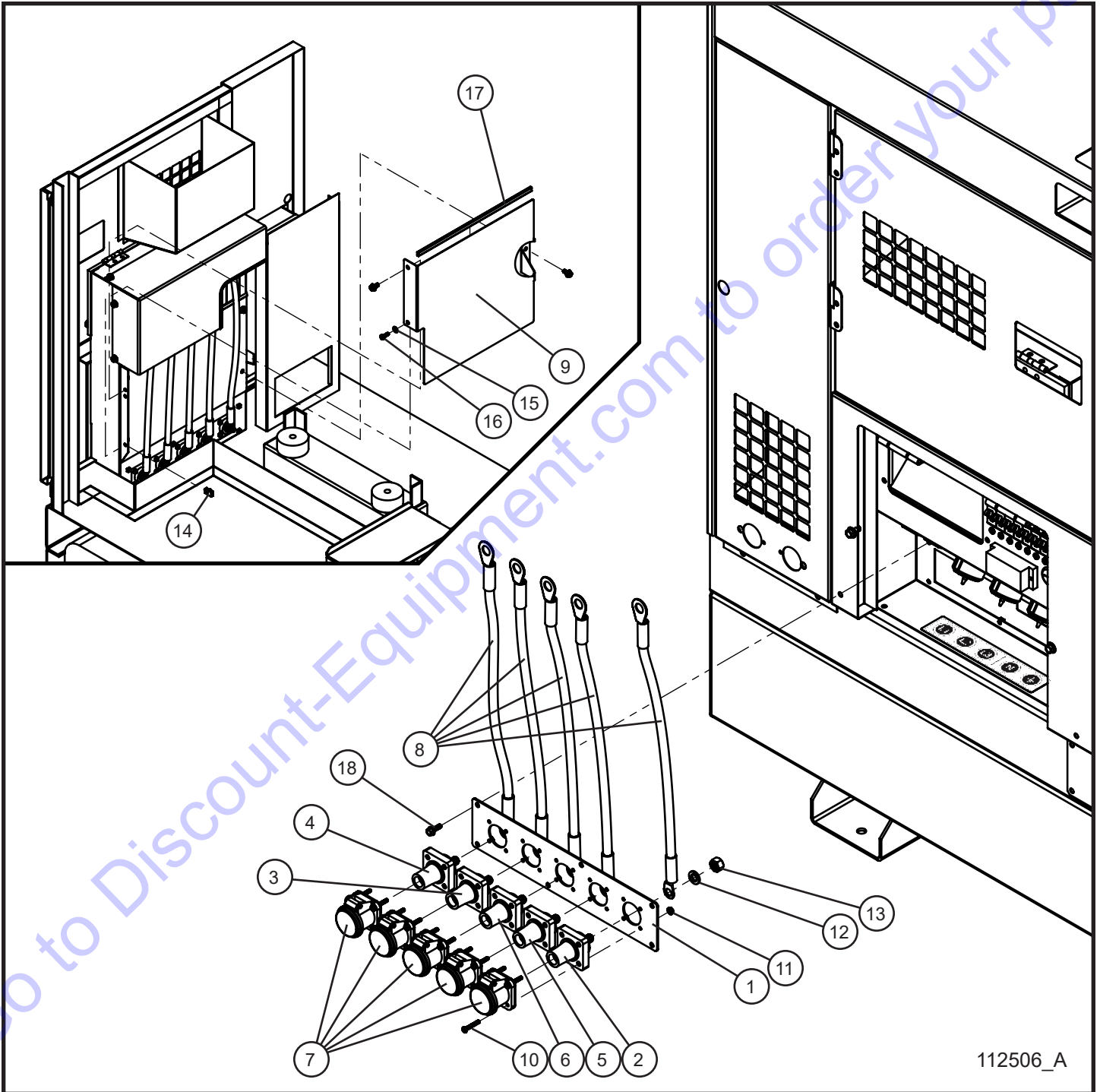
SN 24-000001 to 24-000499

Item	Allmand No.	Hokuetsu No.	Part Description	Qty.

Go to Discount-Equipment.com to order your parts

3.4 - Cam Lock Group

SN 24-000001 to 24-000499



112506_A

Maxi-Power 65

3.4 - Cam Lock Group

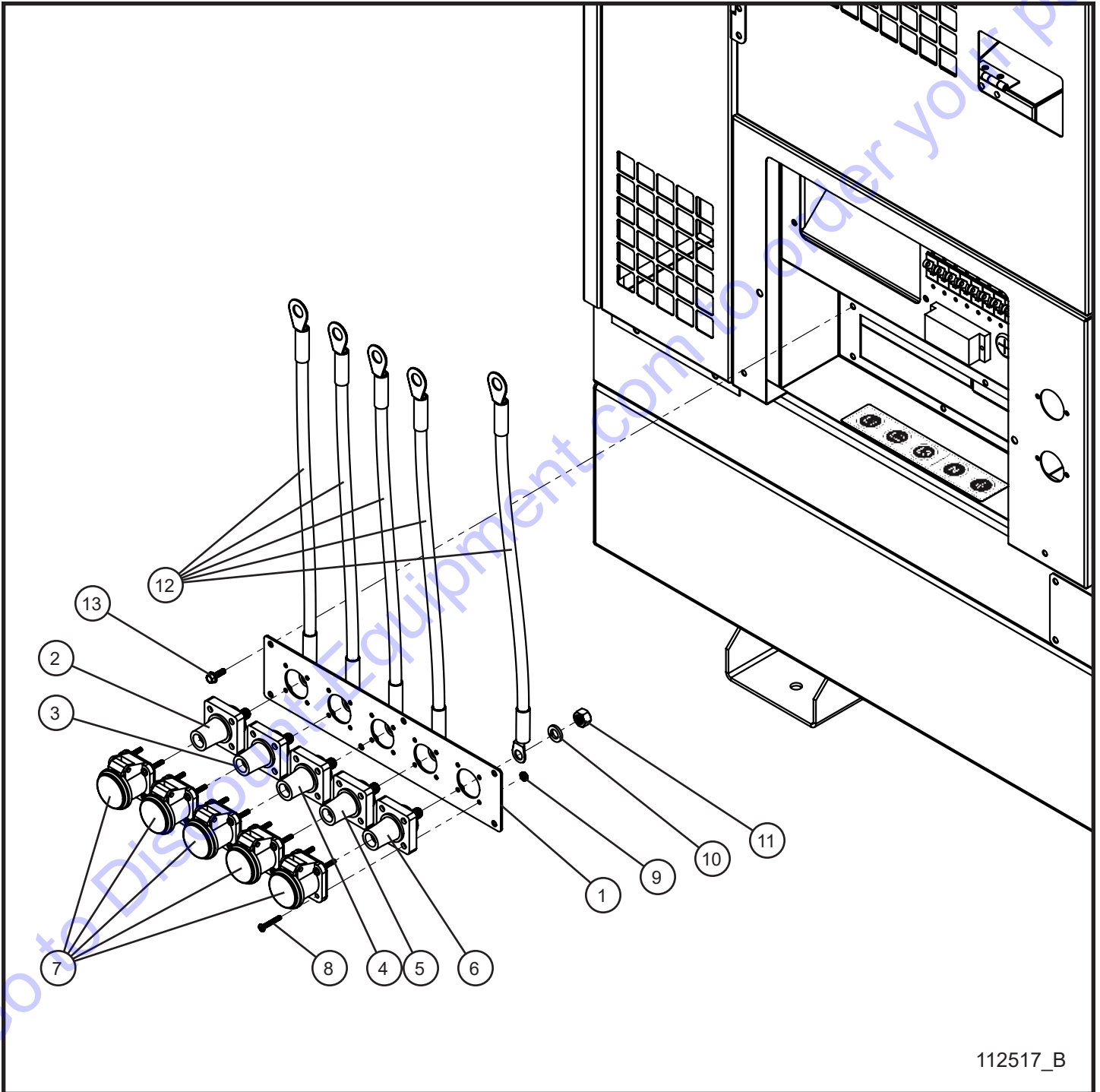
SN 24-000001 to 24-000499

Item	Allmand No.	Hokuetsu No.	Part Description	Qty.
1	112508P	n/a	CAM LOCK MOUNT PLATE	1
2	113246	n/a	CAM LOCK GREEN FEMALE 90° 600V 400A	1
3	113243	n/a	CAM LOCK RED FEMALE 90° 600V 400A	1
4	113242	n/a	CAM LOCK BLACK FEMALE 90° 600V 400A	1
5	113245	n/a	CAM LOCK WHITE FEMALE 90° 600V 400A	1
6	113244	n/a	CAM LOCK BLUE FEMALE 90° 600V 400A	1
7	112424	n/a	CAM LOCK CLEAR COVER 90°	5
8	112557	n/a	CAM LOCK CABLE KIT 40/65 KVA	1
9	112466P	n/a	CAM LOCK SHIELD MAXI-POWER 40 & 65	1
10	041035	n/a	#10-24 x 1-1/4 PHILLIPS MACHINE SCREW	20
11	044016	n/a	#10-24 KEPS HEX NUT	20
12	043085	n/a	1/2 SPLITLOCK WASHER	5
13	044045	n/a	1/2-13 HEX NUT	5
14	044106	n/a	1/4-20 EXTRUDED U NUT	1
15	047009	n/a	1/4 FLAT WASHER	1
16	046010	n/a	1/4-20 x 3/4 HEX HEAD BOLT	1
17	030053	n/a	5/64 x 7/16 x 8.50 TRIM LOCK	1
18	055001	n/a	M6-1.0 x 20 HEX HEAD FLANGE BOLT	6
NS	112422	n/a	CAM LOCK 1/0 CABLE SCHEMATIC	1

*NS - NOT SHOWN

3.5 - JV Cam Lock Group (1 of 2)

SN 24-000001 to 24-000499



Maxi-Power 65

3.5 - JV Cam Lock Group (1 of 2)

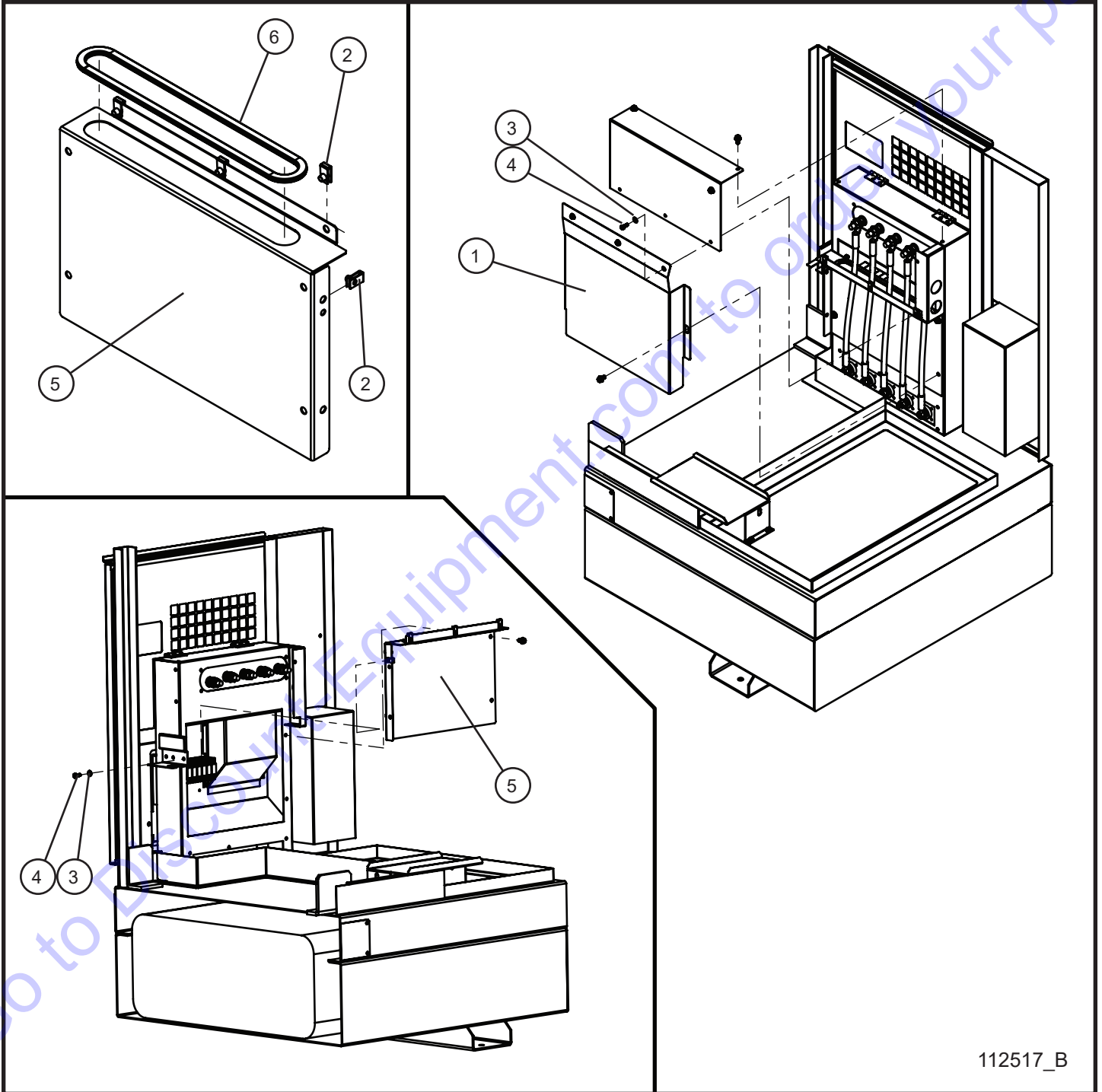
SN 24-000001 to 24-000499

Item	Allmand No.	Hokuetsu No.	Part Description	Qty.
1	112508P	n/a	CAM LOCK MOUNT PLATE	1
2	113242	n/a	CAM LOCK BLACK FEMALE 90° 600V 400A	1
3	113243	n/a	CAM LOCK RED FEMALE 90° 600V 400A	1
4	113244	n/a	CAM LOCK BLUE FEMALE 90° 600V 400A	1
5	113245	n/a	CAM LOCK WHITE FEMALE 90° 600V 400A	1
6	113246	n/a	CAM LOCK GREEN FEMALE 90° 600V 400A	1
7	112424	n/a	CAM LOCK CLEAR COVER 90°	5
8	041035	n/a	#10-24 x 1-1/4 PHILLIPS MACHINE SCREW	20
9	044016	n/a	#10-24 KEPS HEX NUT	20
10	043085	n/a	1/2 SPLITLOCK WASHER	5
11	044045	n/a	1/2-13 HEX NUT	5
12	112557	n/a	CAM LOCK CABLE KIT 40/65 KVA	1
13	055001	n/a	M6-1.0 x 20 HEX HEAD FLANGE BOLT	6
NS	112422	n/a	CAM LOCK 1/0 CABLE SCHEMATIC	1

*NS - NOT SHOWN

3.5 - JV Cam Lock Group (2 of 2)

SN 24-000001 to 24-000499



112517_B

Maxi-Power 65

3.5 - JV Cam Lock Group (2 of 2)

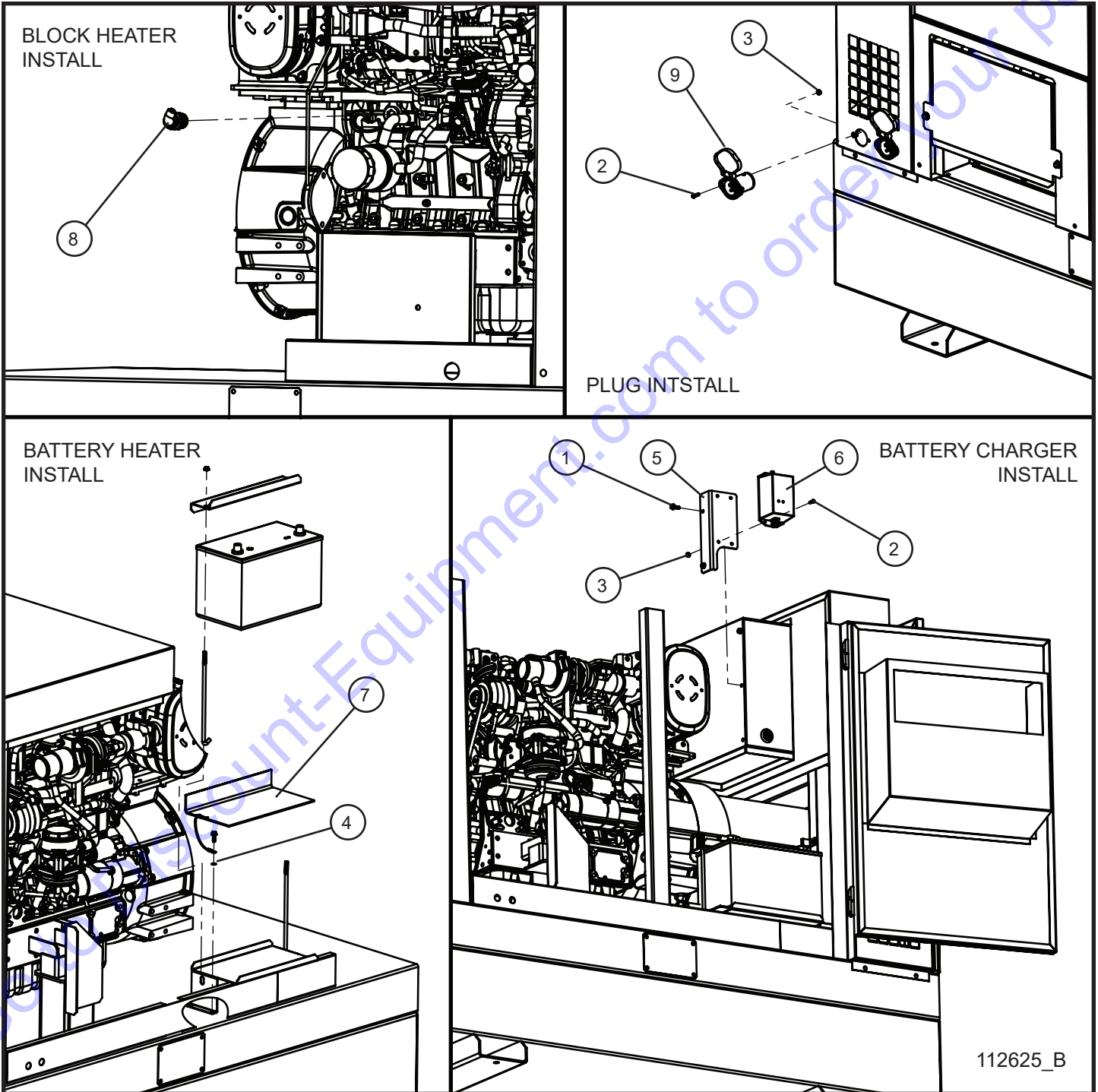
SN 24-000001 to 24-000499

Item	Allmand No.	Hokuetsu No.	Part Description	Qty.
1	112420P	n/a	CAM LOCK SHIELD MAXI-POWER 65 JV	1
2	044106	n/a	1/4-20 EXTRUDED U NUT	4
3	047009	n/a	1/4 FLAT WASHER	4
4	046010	n/a	1/4-20 x 3/4 HEX HEAD BOLT	4
5	112510P	n/a	OUTLET COVER MAXI-POWER 65 JV	1
6	030053	n/a	5/64 x 7/16 x 30.50 TRIM LOCK	1

*NS - NOT SHOWN

3.6 - Arctic Package

SN 24-000001 to 24-000499



Maxi-Power 65

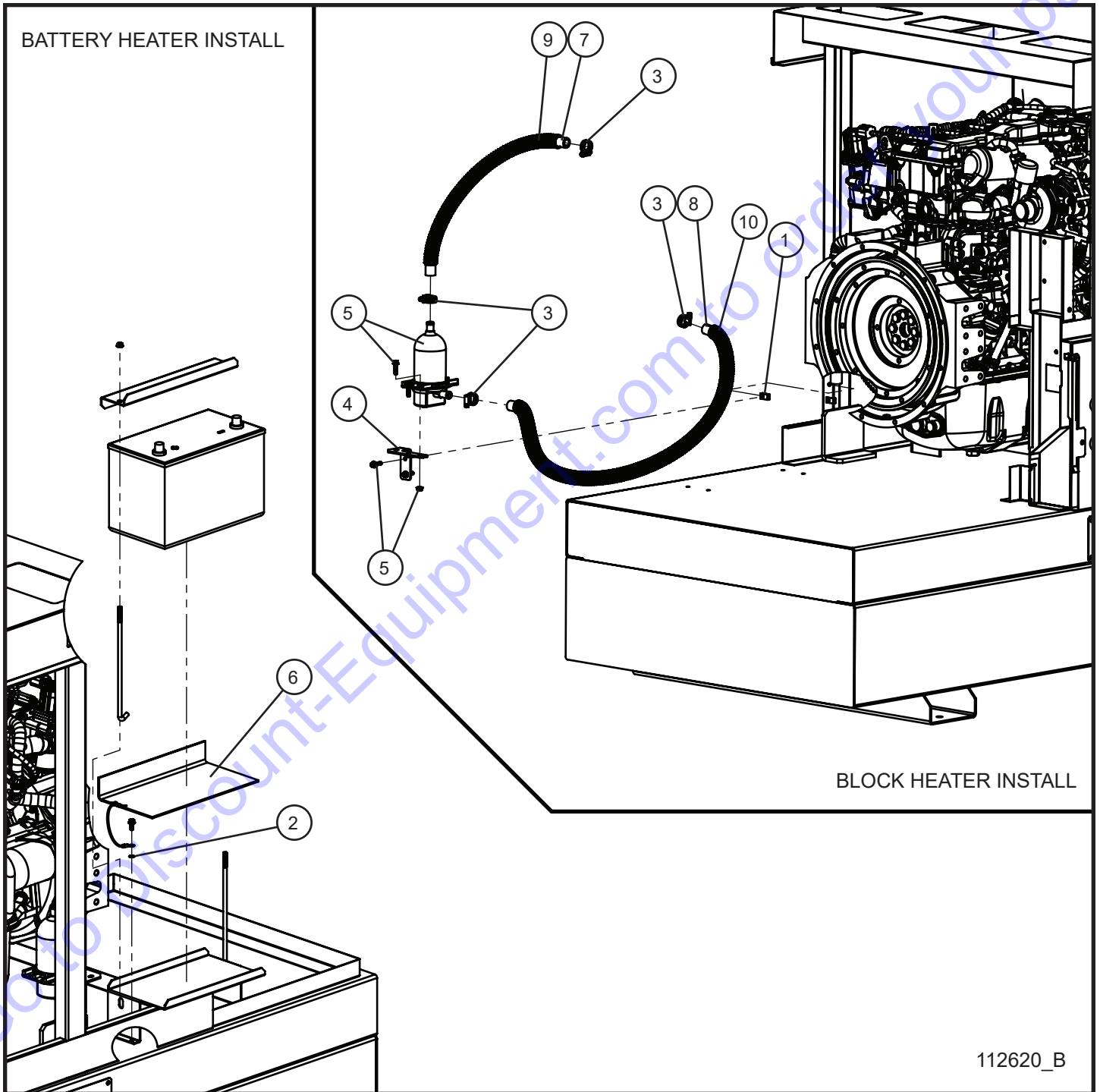
3.6 - Arctic Package

SN 24-000001 to 24-000499

Item	Allmand No.	Hokuetsu No.	Part Description	Qty.
1	055001	n/a	M6-1.0 x 20 HEX HEAD FLANGE BOLT	2
2	041027	n/a	#10-24 x 3/4 PHILLIPS MACHINE SCREW	8
3	044016	n/a	#10-24 KEPS HEX NUT	8
4	043050	n/a	1/4 INTERNAL TOOTH LOCK WASHER	1
5	112595P	n/a	BATTERY CHARGER MOUNT	1
6	112631	n/a	BATTERY CHARGER MAXI-POWER 65	1
7	112629	n/a	BATTERY HEATER MAXI-POWER 65	1
8	112626	n/a	BLOCK HEATER MAXI-POWER 65	1
9	112617	n/a	RECESSED PLUG MAXI-POWER 65	2
NS	022207	n/a	LOOM FLEX GUARD 5/8 x 44.00	1
NS	022207	n/a	LOOM FLEX GUARD 5/8 x 24.00	1
NS	068090	n/a	CABLE TIE 8"	15
NS	112608	n/a	PLUG 3-PRONG MALE	1
NS	112638	n/a	ARCTIC PACKAGE SCHEMATIC	1

3.7 - JV Arctic Package (1 of 2)

SN 24-000001 to 24-000499



112620_B

Maxi-Power 65

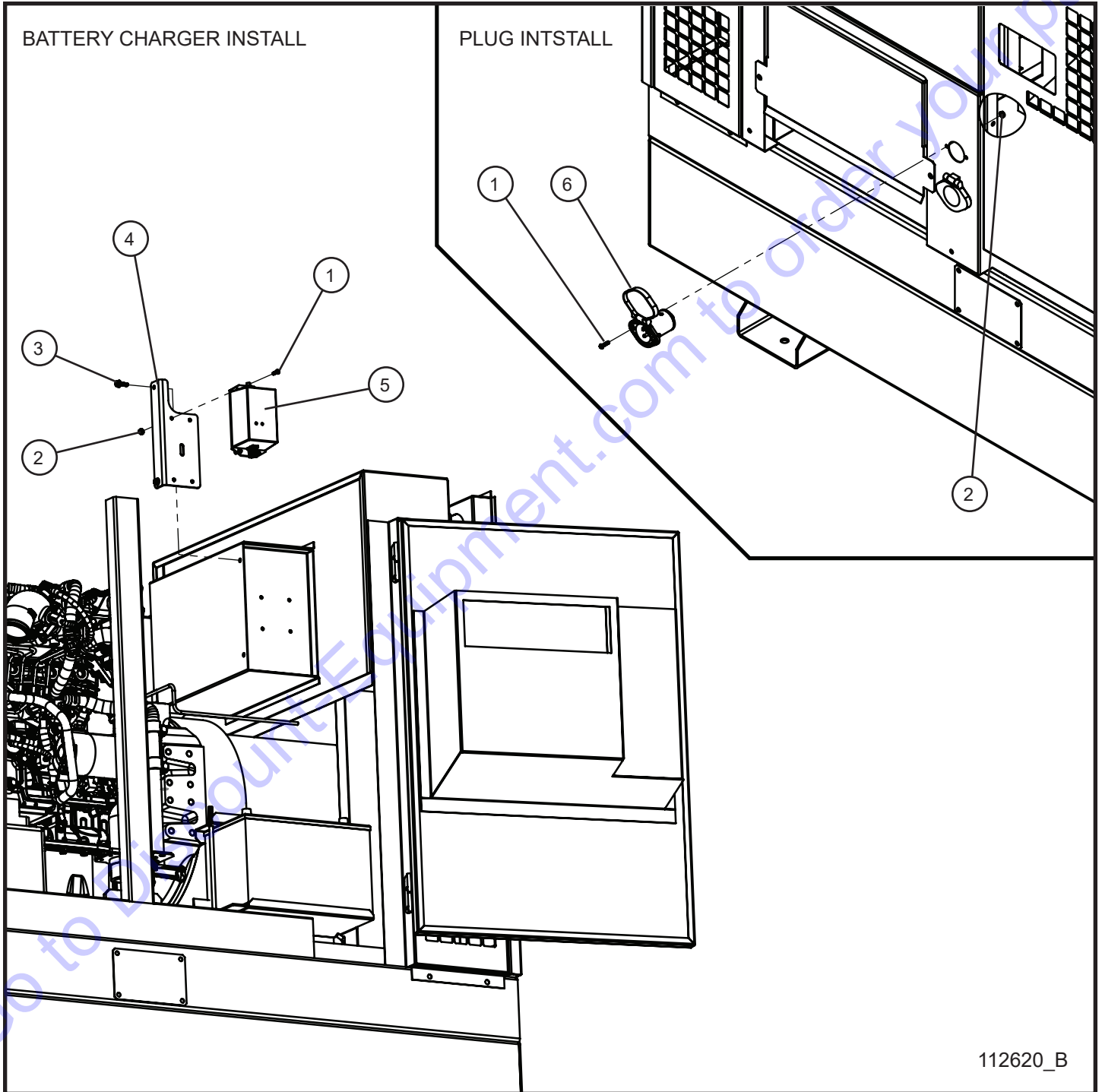
3.7 - JV Arctic Package (1 of 2)

SN 24-000001 to 24-000499

Item	Allmand No.	Hokuetsu No.	Part Description	Qty.
1	044106	n/a	1/4-20 EXTRUDED U NUT	2
2	043050	n/a	1/4 INTERNAL TOOTH LOCK WASHER	1
3	045033	n/a	#10 HOSE CLAMP WORM GEAR	4
4	112594P	n/a	BLOCK HEATER MOUNT	1
5	112601	n/a	BLOCK HEATER MAXI-POWER 65 JV	1
6	112610	n/a	BATTERY HEATER MAXI-POWER 65 JV	1
7	081025	n/a	5/8 HEATER HOSE x 28.00	1
8	081025	n/a	5/8 HEATER HOSE x 22.00	1
9	022211	n/a	1.0 LOOM GUARD x 26.00	1
10	022211	n/a	1.0 LOOM GUARD x 20.00	1
NS	112638	n/a	ARCTIC PACKAGE SCHEMATIC	1

3.7 - JV Arctic Package (2 of 2)

SN 24-000001 to 24-000499



112620_B

Maxi-Power 65

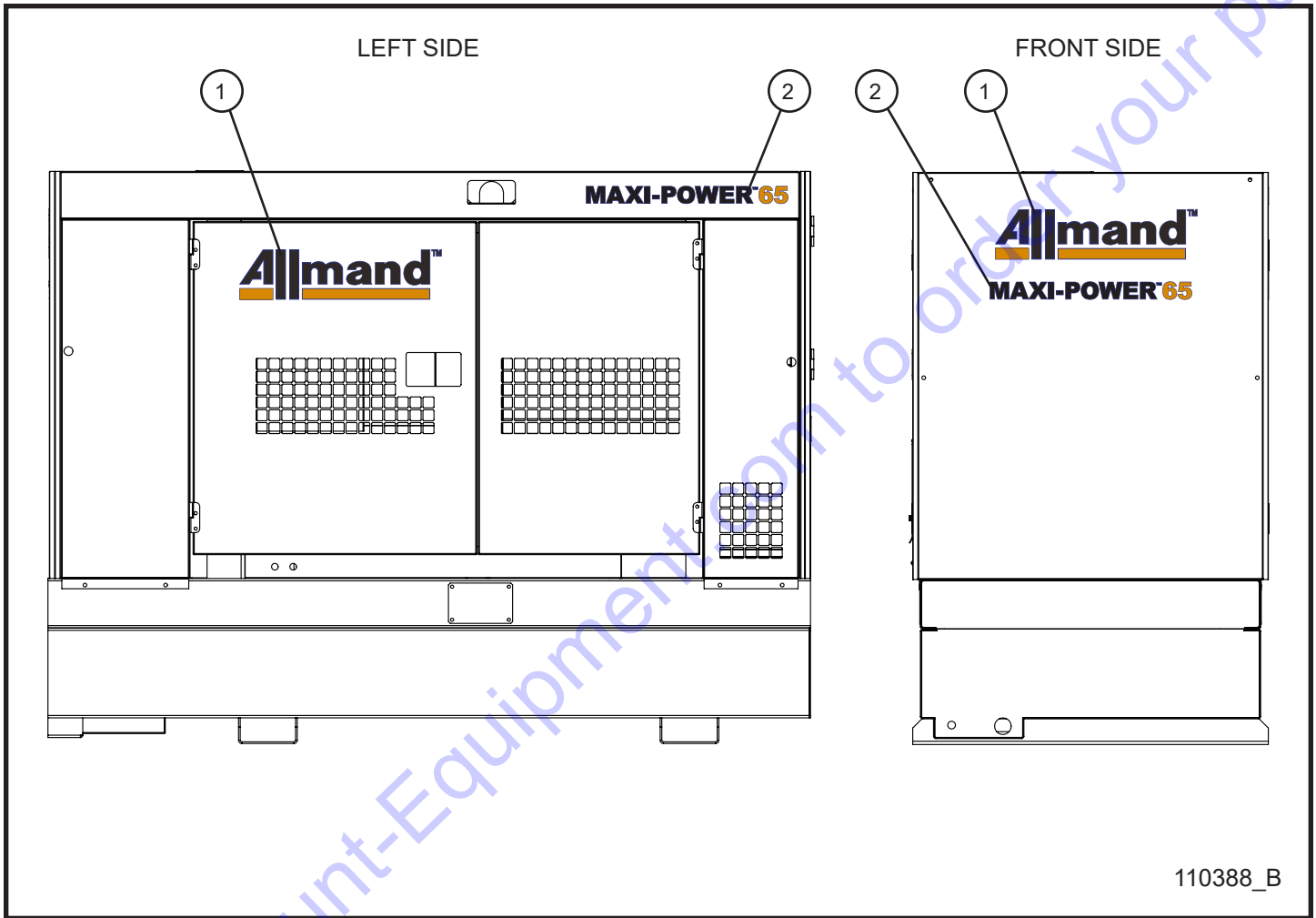
3.7 - JV Arctic Package (2 of 2)

SN 24-000001 to 24-000499

Item	Allmand No.	Hokuetsu No.	Part Description	Qty.
1	041027	n/a	#10-24 x 3/4 PHILLIPS MACHINE SCREW	8
2	044016	n/a	#10-24 KEPS HEX NUT	8
3	055001	n/a	M6-1.0 x 20 HEX HEAD FLANGE BOLT	2
4	112596P	n/a	BATTERY CHARGER MOUNT	1
5	112611	n/a	BATTERY CHARGER MAXI-POWER 65 JV	1
6	112612	n/a	RECESSED PLUG MAXI-POWER 65 JV	2
NS	068090	n/a	CABLE TIE 8"	10
NS	022202	n/a	LOOM FLEX GUARD 3/8 x 6.00	1
NS	022207	n/a	LOOM FLEX GUARD 5/8 x 18.00	1
NS	022207	n/a	LOOM FLEX GUARD 5/8 x 47.00	1
NS	112608	n/a	PLUG 3-PRONG MALE	1

4.1 - Left and Front Side Branding Decals

SN 24-000001 to 24-000499



Maxi-Power 65

4.1 - Left and Front Side Branding Decals

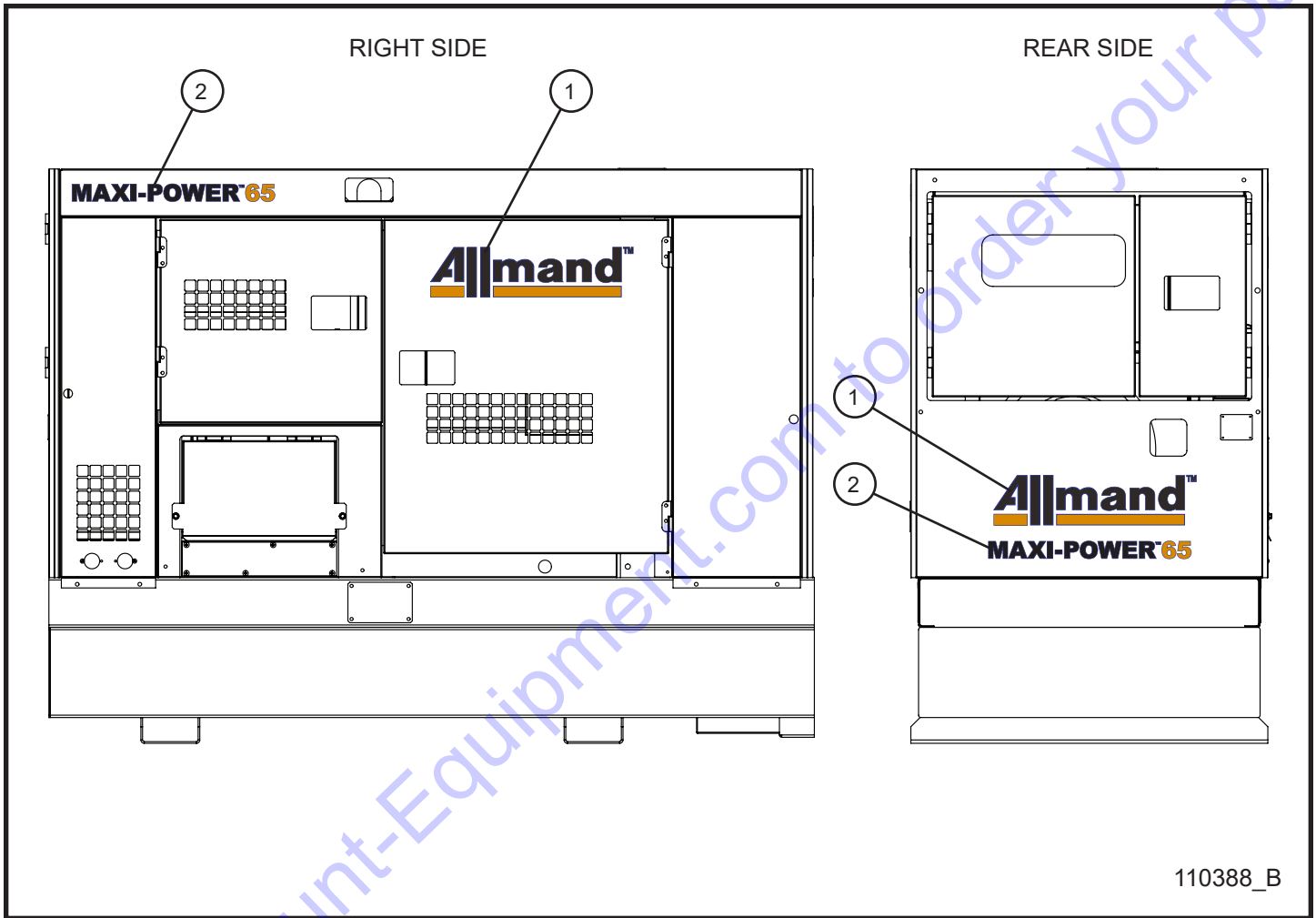
SN 24-000001 to 24-000499

Item	Allmand No.	Hokuetsu No.	Part Description	Qty.
1	110286	n/a	SMALL BLACK ALLMAND BRANDING DECAL	2
2	109015	n/a	MAXI-POWER 65 DECAL	2

Go to Discount-Equipment.com to order your parts

4.2 - Right and Rear Side Branding Decals

SN 24-000001 to 24-000499



110388_B

Maxi-Power 65

4.2 - Right and Rear Side Branding Decals

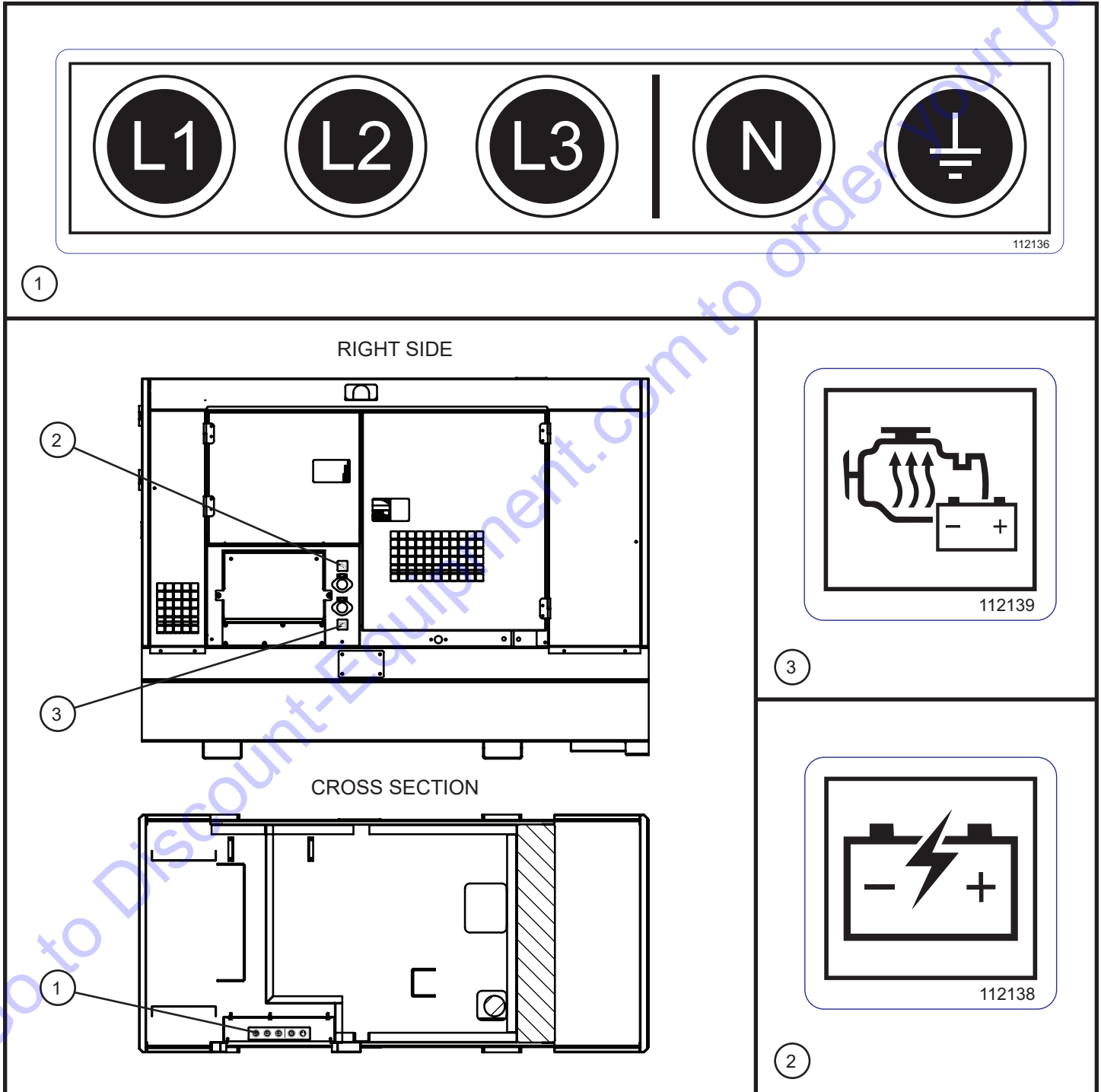
SN 24-000001 to 24-000499

Item	Allmand No.	Hokuetsu No.	Part Description	Qty.
1	110286	n/a	SMALL BLACK ALLMAND BRANDING DECAL	2
2	109015	n/a	MAXI-POWER 65 DECAL	2

Go to Discount-Equipment.com to order your parts

4.3 - Cam Lock and Arctic Package Decals

SN 24-000001 to 24-000499



Maxi-Power 65

4.3 - Cam Lock and Arctic Package Decals

SN 24-000001 to 24-000499

Item	Allmand No.	Hokuetsu No.	Part Description	Qty.
1	112136	n/a	CAM LOCK MAXI-POWER DECAL	1
2	112138	n/a	BATTERY CHARGER DECAL	1
3	112139	n/a	ENGINE AND BATTERY HEATER DECAL	1

Go to Discount-Equipment.com to order your parts

PARTS FINDER

**Search Website
by Part Number**



**Search Manual
Library For Parts
Manual & Lookup Part
Numbers – Purchase
or Request Quote**

Search Manuals

Enter your information to help us find the right parts manual for your machine.

* Brand:

* Model:

* Serial:

* Part Number:

SEARCH

**Can't Find Part or
Manual? Request Help
by Manufacturer,
Model & Description**

Parts Order Form

Please fill in the following information to help us find the right part for your machine.

Manufacturer:	<input type="text"/>
Model:	<input type="text"/>
Description:	<input type="text"/>
Part Number:	<input type="text"/>
Quantity:	<input type="text"/>
Notes:	<input type="text"/>

Submit

Discount-Equipment.com is your online resource for quality parts & equipment.

Florida: **561-964-4949** Outside Florida TOLL FREE: **877-690-3101**

Need parts?

Click on this link: <http://www.discount-equipment.com/category/5443-parts/> and choose one of the options to help get the right parts and equipment you are looking for. Please have the machine model and serial number available in order to help us get you the correct parts. If you don't find the part on the website or on one of the online manuals, please fill out the request form and one of our experienced staff members will get back to you with a quote for the right part that your machine needs.

We sell worldwide for the brands: Genie, Terex, JLG, MultiQuip, Mikasa, Essick, Whiteman, Mayco, Toro Stone, Diamond Products, Generac Magnum, Airman, Haulotte, Barreto, Power Blanket, Nifty Lift, Atlas Copco, Chicago Pneumatic, Allmand, Miller Curber, Skyjack, Lull, Skytrak, Tsurumi, Husquvarna Target, Stow, Wacker, Sakai, Mi-T-M, Sullair, Basic, Dynapac, MBW, Weber, Bartell, Bennar Newman, Haulotte, Ditch Runner, Menegotti, Morrison, Contec, Buddy, Crown, Edco, Wyco, Bomag, Laymor, EZ Trench, Bil-Jax, F.S. Curtis, Gehl Pavers, Heli, Honda, ICS/PowerGrit, IHI, Partner, Imer, Clipper, MMD, Koshin, Rice, CH&E, General Equipment, Amida, Coleman, NAC, Gradall, Square Shooter, Kent, Stanley, Tamco, Toku, Hatz, Kohler, Robin, Wisconsin, Northrock, Oztec, Toker TK, Rol-Air, APT, Wylie, Ingersoll Rand / Doosan, Innovatech, Con X, Ammann, Mecalac, Makinex, Smith Surface Prep, Small Line, Wanco, Yanmar

Allmand™

BRIGHTER. WARMER. SAFER.



www.discount-equipment.com



Reliability, performance, and integrity since 1938

13-0267