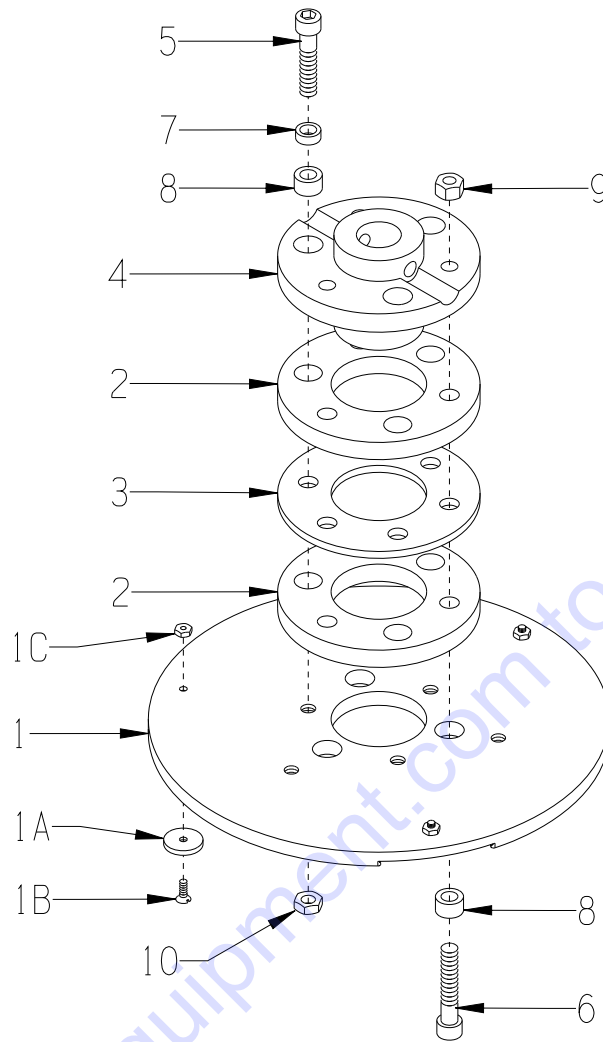


**10" QUICK-CHANGE MULTI-ACCESSORY DISC ASSEMBLY
FOR MODELS SEC-NG, 2EC-NG & 2GC-NG
PART # 86391A**

E-QCDA-PL-0415



ITEM #	PART #	DESCRIPTION	QTY.
1	86391	QC MULTI-ACCY. 10" DISC W/ MAGNETS (INCLUDES ITEMS 1A, 1B AND 1C)	1
1A	36064	MAGNET, NEODYMIUM RING 7/8 X 1/8	3
1B	10647	SCREW, FLAT HD PHILLIPS 8-32 X 1/2	3
1C	10462	NUT, KEPS LOCK 8-32 ZINC	3
2	10112	RING, RUBBER, 4-1/2"OD X 1/2"THK	2
3	77020	RING, HUB CARRIER, 6-HOLE	1
4	77010	HUB, ALUMINUM 6-HOLE (GRINDER)	1
5	10354	SCREW, SKT. HD. CAP 3/8-24 X 1-3/4	3
6	10012	SCREW, SKT. HD. CAP 3/8-24 X 2	3
7	10113	SPACER, STEEL 9/16OD X 3/8ID X 7/32	3
8	10011	SPACER, STEEL 5/8OD X 3/8ID X 3/8T	6
9	10058	NUT, HEX LOCK 3/8-24 W/ NYLON PATCH	3
10	11725	NUT, HEX JAM 3/8-24 ZINC (USE BLUE LOCTITE)	3



PARTS FINDER

**Search Website
by Part Number**



**Search Manual
Library For Parts
Manual & Lookup Part
Numbers – Purchase
or Request Quote**

Search Manuals

Enter your information to help us find the right parts manual for your machine.

* Brand:

* Model:

* Serial:

* Part Number:

SEARCH

**Can't Find Part or
Manual? Request Help
by Manufacturer,
Model & Description**

Parts Order Form

Please fill in the following information to help us find the right part for your machine.

Manufacturer:	<input type="text"/>
Model:	<input type="text"/>
Description:	<input type="text"/>
Part Number:	<input type="text"/>
Quantity:	<input type="text"/>
Notes:	<input type="text"/>

Submit

Discount-Equipment.com is your online resource for quality parts & equipment.

Florida: **561-964-4949** Outside Florida TOLL FREE: **877-690-3101**

Need parts?

Click on this link: <http://www.discount-equipment.com/category/5443-parts/> and choose one of the options to help get the right parts and equipment you are looking for. Please have the machine model and serial number available in order to help us get you the correct parts. If you don't find the part on the website or on one of the online manuals, please fill out the request form and one of our experienced staff members will get back to you with a quote for the right part that your machine needs.

We sell worldwide for the brands: Genie, Terex, JLG, MultiQuip, Mikasa, Essick, Whiteman, Mayco, Toro Stone, Diamond Products, Generac Magnum, Airman, Haulotte, Barreto, Power Blanket, Nifty Lift, Atlas Copco, Chicago Pneumatic, Allmand, Miller Curber, Skyjack, Lull, Skytrak, Tsurumi, Husquvarna Target, Stow, Wacker, Sakai, Mi-T-M, Sullair, Basic, Dynapac, MBW, Weber, Bartell, Bennar Newman, Haulotte, Ditch Runner, Menegotti, Morrison, Contec, Buddy, Crown, Edco, Wyco, Bomag, Laymor, EZ Trench, Bil-Jax, F.S. Curtis, Gehl Pavers, Heli, Honda, ICS/PowerGrit, IHI, Partner, Imer, Clipper, MMD, Koshin, Rice, CH&E, General Equipment, Amida, Coleman, NAC, Gradall, Square Shooter, Kent, Stanley, Tamco, Toku, Hatz, Kohler, Robin, Wisconsin, Northrock, Oztec, Toker TK, Rol-Air, APT, Wylie, Ingersoll Rand / Doosan, Innovatech, Con X, Ammann, Mecalac, Makinex, Smith Surface Prep, Small Line, Wanco, Yanmar